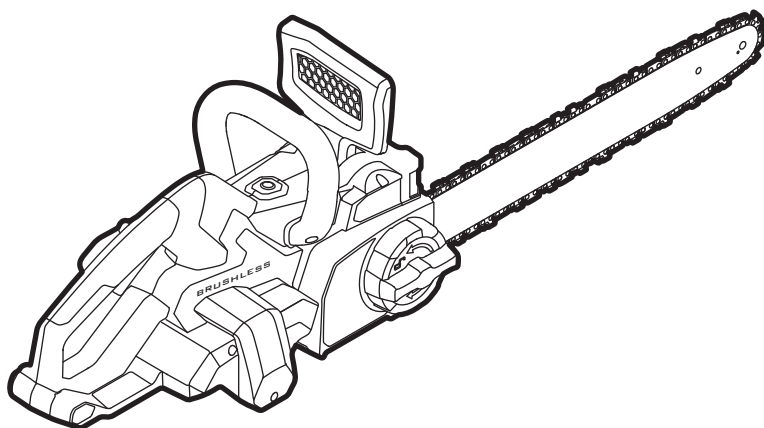


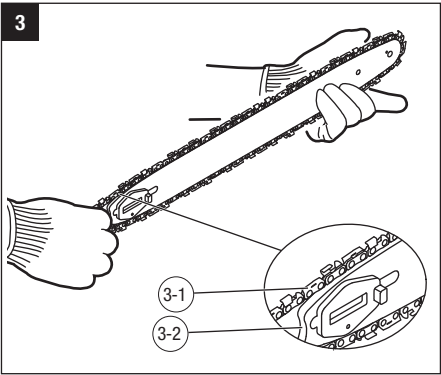
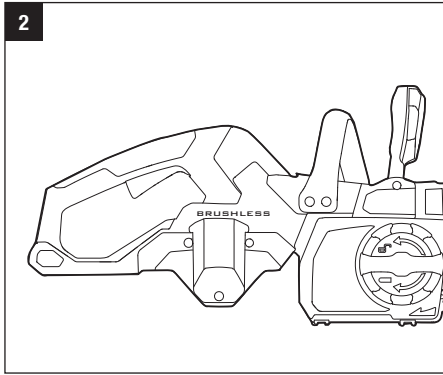
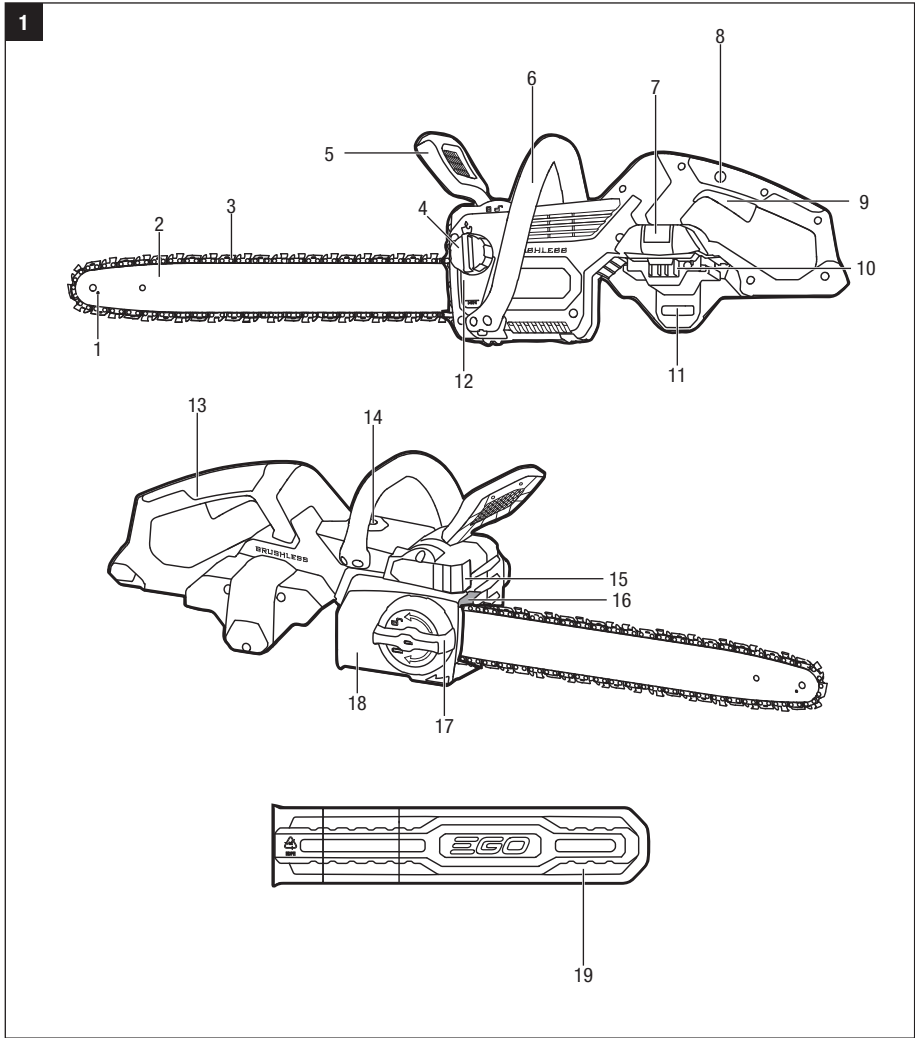
EGO™

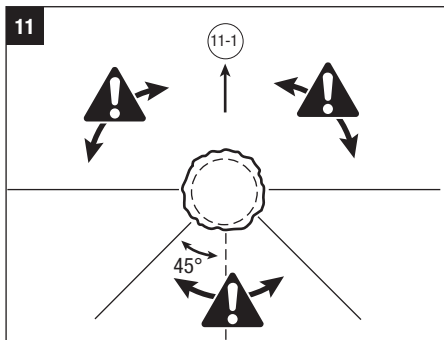
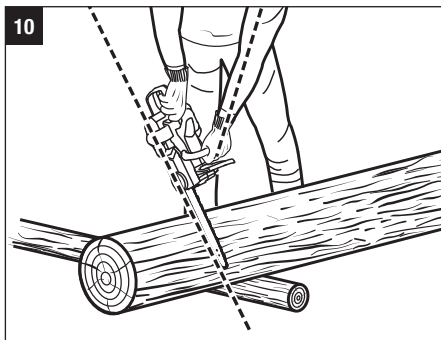
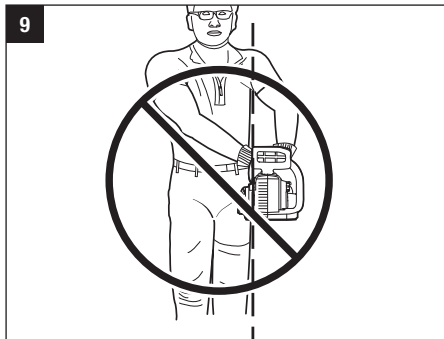
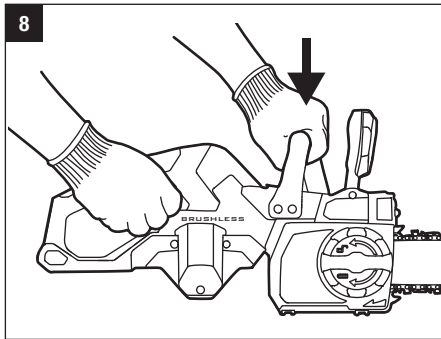
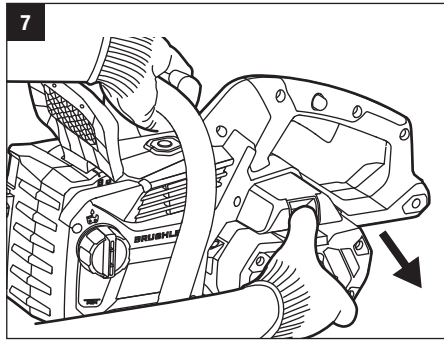
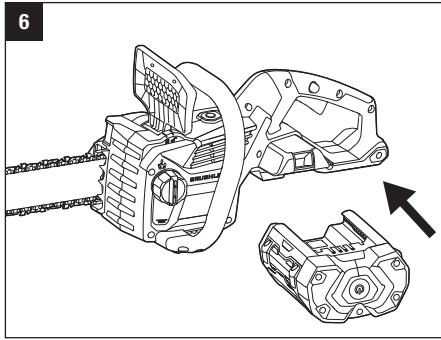
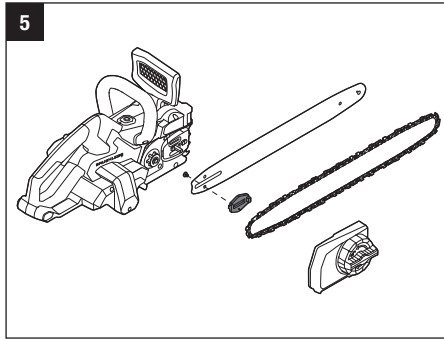
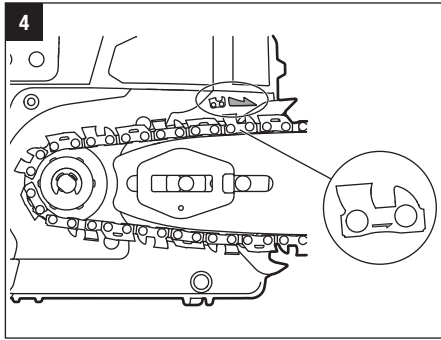
POWER⁺ CHAIN SAW

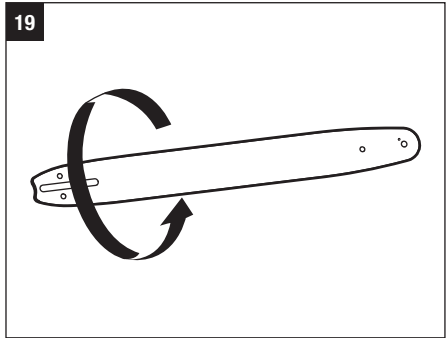
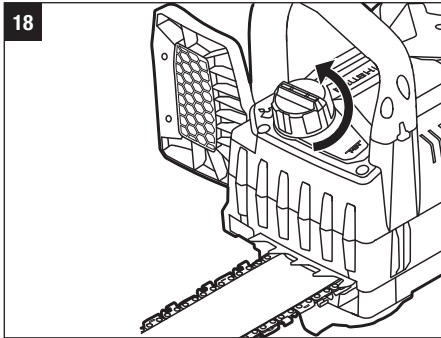
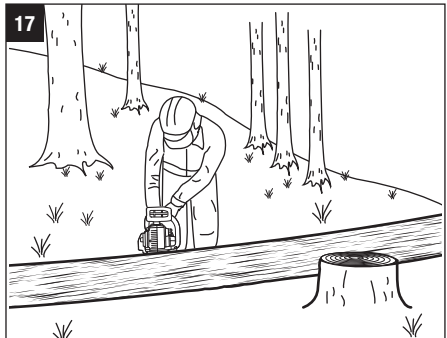
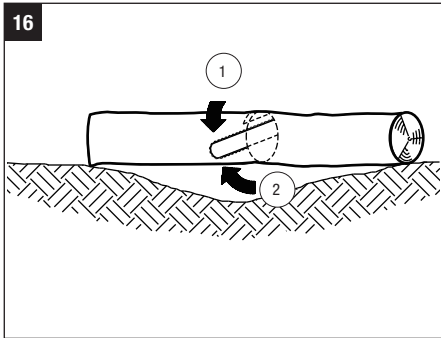
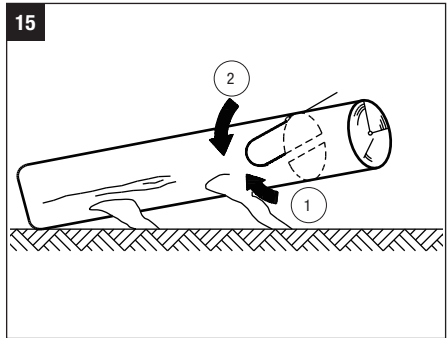
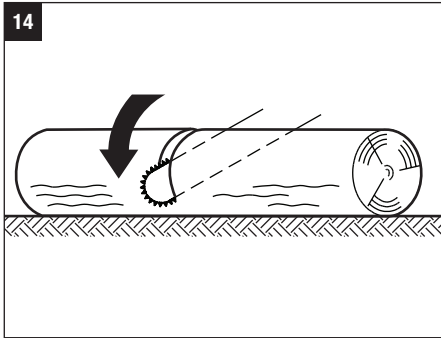
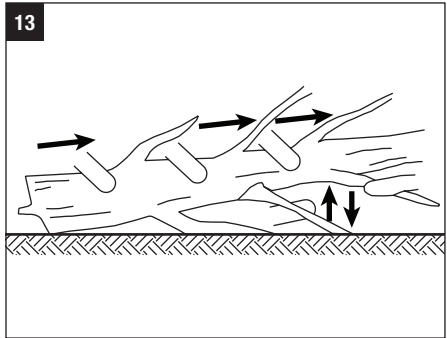
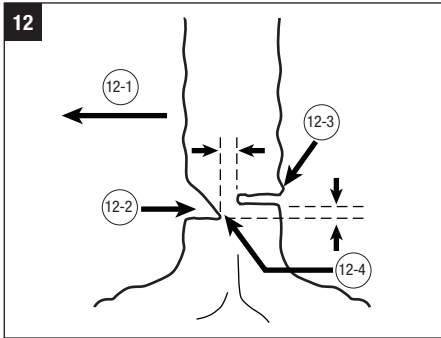


OPERATOR'S MANUAL
CORDLESS CHAIN SAW
 MODEL NUMBER CS1800E

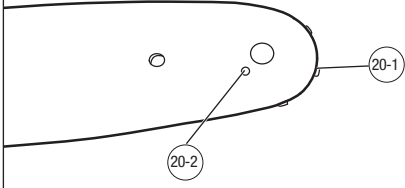
EN	Cordless chain saw	6	HU	Vezeték nélküli láncfűrész	123
DE	Akku-kettensäge	13	RO	Ferăstrău cu lanț și cu acumulator	131
FR	Tronçonneuse sans fil	21	SL	Brezžična verižna žaga	139
ES	Motosierra inalámbrica	29	LT	Belaidis grandininis pjūklas	147
PT	Motosserra sem fios	37	LV	Bezvadu ķēdes zāģis	155
IT	Motosega cordless	45	GR	Ασυρματο αλυστοπίρινο	163
NL	Accu kettingzaag	53	TR	Blosuz elektrikli testere	171
DK	Ledningsfri motorsav	61	ET	Juhtmeta kettsaag	178
SE	Sladdlös kedjesåg	69	UK	Акумуляторна ланцюгова пила	185
FI	Akkukäyttöinen moottorisaha	77	BG	Безкабелен верижен трион	193
NO	Trådløs motorsag	85	HR	Baterijska lančana pila	201
RU	Беспроводная цепная пила	92	KA	უსადენო ჯაჭვური ხეობი	209
PL	Bezprzewodowa pilarka łańcuchowa	100	SR	Bežična motorna testera	219
CZ	Akumulátorová řetězová pila	108	BS	Akumulatorska motorna žaga	227
SK	Akumulátorová reťazová píla	115	HE	חסור שמילי אלחוטי	235



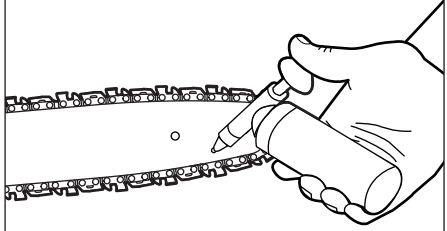




20



21



EN

READ ALL INSTRUCTIONS!



READ OPERATOR'S MANUAL

⚠ Residual risk! People with electronic devices, such as pacemakers, should consult their physician(s) before using this product. Operation of electrical equipment in close proximity to a heart pacemaker could cause interference or failure of the pacemaker.

SAFETY SYMBOL

The purpose of safety symbols is to attract your attention to possible dangers. The safety symbols and the explanations with them deserve your careful attention and understanding. The symbol warnings do not, by themselves,

eliminate any danger. The instructions and warnings they give are no substitutes for proper accident prevention measures.

⚠ WARNING: Be sure to read and understand all safety instructions in this Operator's Manual, including all safety alert symbols such as "DANGER," "WARNING," and "CAUTION" before using this tool. Failure to follow all instructions listed below may result in electric shock, fire, and/or serious personal injury.

SYMBOL MEANING

This page depicts and describes safety symbols that may appear on this product. Read, understand, and follow all instructions on the machine before attempting to assemble and operate it.

SAFETY SYMBOLS



Safety Alert



Wear Eye Protection



Wear Head Protection



Guide Bar



Guide Bar Tip Kickback



Do Not Expose To Rain.



Waste electrical products should not be disposed of with household waste. Take to an authorized recycler.

V Volt



Direct Current



To reduce the risk of injury, user must read and understand operator's manual before using this product.



Wear Ear Protection



Wear Protective Gloves



Do not use chain saw one handed



Always use chain saw two-handed



Beware of chain saw kickback and avoid contact with bar tip



Noise

min⁻¹ Revolutions per minute

CE CE

SPECIFICATIONS

Voltage	56 V	
Recommended Operating Temperature:	-15°C-40°C	
Recommended Storage Temperature:	-20°C-70°C	
Optimum Charging Temperature	5 °C-40 °C	
Chain speed	20 m/s	
Chain Pitch	9.5 mm	
Chain Gauge	1.3 mm	
Saw Chain Type	91PX062X 90PX056X 90PX052X	
Guide Bar Type	180SDEA041 164MLEA041 144MLEA041	
Chain Oil Tank Capacity	200 ml	
Weight (without battery pack, chain sheath)	4.4kg	
Measured sound power level L_{WA}	103.53 dB(A) K=1.17 dB(A)	
Sound pressure level at working position L_{PA}	92.53 dB(A) K=3.0 dB(A)	
Guaranteed sound power level L_{WA} (according to 2000/14/EC)	105 dB(A)	
Vibration a_n	Front Handle	5.158 m/s ² K=1.5 m/s ²
	Rear Handle	5.537 m/s ² K=1.5 m/s ²

- The declared vibration total value has been measured in accordance with a standard test method and may be used for comparing one tool with another;
- The declared vibration total value may also be used in a preliminary assessment of exposure.

NOTICE: The vibration emission during actual use of the power tool can differ from the declared value in which the tool is used; In order to protect the operator, user should wear gloves and ear protectors in the actual conditions of use.

DESCRIPTION

KNOW YOUR CHAIN SAW (Fig. 1)

1. Lubricating Hole
2. Guide Bar

3. Saw Chain
4. Oil Tank Cap
5. Chain Kickback Brake Handle
6. Front Handle
7. Battery- Release Button
8. Lock-off Button
9. Variable-Speed Trigger Switch
10. Electric Contacts
11. Ejection Mechanism
12. Oil-Inspection Window
13. Rear Handle
14. LED Button
15. LED Headlights
16. Bucking Spikes
17. Quick Chain-tension Adjust Knob
18. Side Cover
19. Chain Sheath

PACKING LIST

PART NAME	QUANTITY
Chain saw power head	1
Saw chain	1
Guide bar	1
Chain sheath	1
Operator's manual	1

ASSEMBLY

ASSEMBLING/REPLACING THE BAR AND CHAIN

⚠ WARNING: Adjust the chain-kickback brake handle in the braking position before assembly.

1. Position the chain saw power head on its side with the side cover facing upwards (Fig. 2).
2. Remove the side cover by turning the quick chain-tension adjust knob counterclockwise
3. Lay the new saw chain in a loop on a flat surface and straighten any kinks .
4. Place the chain drive links into the guide bar groove and make the chain a loop at the back of the guide bar (Fig. 3).

3-1	Chain Drive Links
3-2	Guide Bar Groove

5. Hold the chain in position on the guide bar and place the loop around the sprocket of the power head (Fig. 4).

NOTICE: Small directional arrows are engraved in the saw chain and power head. When looping the saw chain onto the guide bar, make sure that the direction of the arrows on the saw chain will correspond to the direction of the arrow on the power head.

- Replace the side cover and fully tighten the quick chain-tension adjust knob. The eccentric gear inside the side cover is designed to ensure that the chain will not be over-tensioned
- Adjust the chain-kickback brake handle in the operating position, and then rotate the chain by hand to check whether the chain is properly assembled without binding. Otherwise, reassemble the chain and bar.

NOTICE: There is an adjustment plate connected to the guide bar with a screw. If the guide bar needs to be replaced, disassemble the adjustment plate from the guide bar and reassemble it onto the new guide bar as Fig. 5 shown.

OPERATION

APPLICATION

You may use this product for basic felling, limbing, pruning and woodcutting of lumber and trees.

NOTICE: The tool is to be used only for its prescribed purpose. Any other use is deemed to be a case of misuse

ATTACHING/DETACHING THE BATTERY PACK

Fully charge before first use.

Use only with EGO's battery packs and chargers listed below:

BATTERY	CHARGER
BA1120E, BA2240E, BA1400, BA2800, BA3360, BA4200, BA1400T, BA2800T, BA4200T, BA5600T	CH2100E, CH5500E

To Attach

Align the battery ribs with the mounting slots and press the battery pack down until you hear a "click" (Fig. 6).

To Detach

Depress the battery-release button and pull the battery pack out (Fig. 7).

LED HEADLIGHTS

The LED headlight (Fig. 1-15) is located in the front of the chain saw power head. This feature provides extra light for increased visibility and can be adjusted to 2 brightness levels.

To turn on the lights, press the LED button (Fig. 1-14) once. The headlights provide bright light in front of the chain saw. Press the LED button a second time and the headlights shine more brightly.

To turn off the headlights, press the LED button a third time.

STARTING/STOPPING THE CHAIN SAW Before Starting the Chain Saw

NOTICE: Before starting the chain saw, check for the quick chain-tension adjustment and the oil level, saw teeth sharpness and the operation of the kickback brake handle. As well as, balanced footing and proper distance away from the ground are needed.

To Start

- Pull the chain-kickback brake handle towards the front handle to the operating position
- Grasp the front and rear handles firmly, using both hands.
- Press and hold the lock-off button, then squeeze the variable-speed trigger switch to start the saw. Chain speed will increase with increased pressure on the variable-speed trigger.
- Release the lock-off button and continue to squeeze the variable-speed trigger switch for continued operation.

Proper Grip On Handles (Fig. 8)

- Wear non-slip gloves for maximum grip and protection.
- With the saw on a firm, flat surface, hold the saw firmly with both hands.
- Always grasp the front handle with the left hand and the rear handle with the right.
- The fingers should encircle the handle, with the thumb wrapped under the front handle.

⚠ WARNING: Never use a left-handed (cross-handed) grip, or any stance which would place your body or arm across the chain line (Fig. 9)

Proper Cutting Stance (Fig. 10)

- Both feet should be on solid ground, with weight evenly spread between them.
- The left arm should be straight, with the elbow locked. This helps to withstand the forces generated by kickback.
- Your body should always be to the left of the chain line.

CUTTING

Basic Cutting

- For the first-time user, please practise cutting logs on a saw -horse or cradle.
- Begin cutting by lightly pressing the guide bar against the wood. Use only light pressure, letting the saw do the work

- Maintain a steady speed throughout the cut, releasing pressure just before the end of the cut.

⚠ WARNING: When the saw chain is stopped due to pinching during cutting, release the trigger switch; remove the saw chain and guide bar from the wood, then restart the chain saw.

⚠ WARNING: Do not pull the saw chain with your hand when it is bound by the sawdust.

⚠ WARNING: Never start the chain saw when it is in contact with the wood. Always allow the chain saw reach full speed before applying the saw to the wood.

FELLING A TREE

- When bucking and felling operations are being performed by two or more persons at the same time, the felling operation should be separated from the bucking operation by a distance of at least twice the height of the tree being felled. Trees should not be felled in a manner that would endanger any person, strike any utility line or cause any property damage. If the tree does make contact with any utility line, the utility company should be notified immediately.
- The chain saw operator should stand on the uphill side of the terrain, as the tree is likely to roll or slide downhill after it is felled.
- An escape path should be planned and cleared as necessary before cuts are started. The escape path should extend back and diagonally to the rear of the expected line of fall as Fig. 11 shown.

11-1	Felling Direction
------	-------------------

- Before felling is started, consider the natural lean of the tree, the location of larger branches and the wind direction to judge which way the tree will fall.
- Remove dirt, stones, loose bark, nails, staples and wire from the tree.

Notching undercut

Make the notch 1/3 the diameter of the tree, perpendicular to the direction of fall, as illustrated in Fig. 12. Make the lower horizontal notching cut first. This will help to avoid pinching of either the saw chain or the guide bar when the second notch is being made.

Felling back cut

- Make the felling back cut at least 50 mm higher than the horizontal notching cut as Fig. 12-3 shown.

12-1	Direction of fall	12-3	Felling back cut
------	-------------------	------	------------------

12-2	Notch	12-4	Hinge
------	-------	------	-------

Keep the felling back cut parallel to the horizontal notching cut. Make the felling back cut so enough wood is left to act as a hinge. The hinge wood keeps the tree from twisting and falling in the wrong direction. Do not cut through the hinge.

- As the felling gets close to the hinge, the tree should begin to fall. If there is any chance that the tree may not fall in desired direction or it may rock back and bind the saw chain, stop cutting before the felling back cut is complete and use wedges of wood, plastic or aluminium to open the cut and drop the tree along the desired line of fall.
- When the tree begins to fall remove the chain saw from the cut, stop the motor, put the chain saw down, then use the retreat path planned. Be alert for overhead limbs falling and watch your footing.

Limbing a tree

Limbing is removing the branches from a fallen tree. When limbing leave larger lower limbs to support the log off the ground. Remove the small limbs in one cut as Fig. 13 shown. Branches under tension should be cut from the bottom up to avoid binding the chain saw.

Bucking a log

- Bucking is cutting a log into lengths. It is important to make sure your footing is firm and your weight is evenly distributed on both feet. When possible, the log should be raised and supported by the use of limbs, logs or chocks. Follow the simple directions for easy cutting.
- When the log is supported along its entire length as Fig. 14 shown, it is cut from the top (overbucking).
- When the log is supported on one end, as Fig. 15 shown, cut 1/3 the diameter from the underside (underbucking). Then make the finished cut by overbucking to meet the first cut.
- When the log is supported on both ends, as Fig. 16 shown, cut 1/3 the diameter from the top (overbuck). Then make the finished cut by underbucking the lower 2/3 to meet the first cut.
- When bucking on a slope always stand on the uphill side of the log, as Fig. 17 shown.
- When “cutting through”, to maintain complete control release the cutting pressure near the end of the cut without relaxing your grip on the chain saw handles. Don’t let the chain contact the ground. After completing the cut, wait for the saw chain to stop before you move the chain saw. Always stop the motor before moving from tree to tree.

MAINTENANCE

FILLING BAR AND CHAIN LUBRICANT

NOTICE: The chain saw is not filled with oil at the time of purchase. It is essential to fill the tank with oil before use. The chain is automatically lubricated with chain oil during operation.

1. Position the chain saw on its side with its oil tank cap facing towards.
2. Clean the cap as well as the area around and then turn it counterclockwise to remove (Fig. 18).
3. Carefully pour the specifically designed oil into the tank until reaching the bottom of the filter neck.
4. Wipe off any excessive oil and replace the cap.

NOTICE: With upright position, oil should fill the inspection window. When the oil is no longer visible in the inspection window, stop use immediately and refill.

CLEANING

- After each use, clean debris from the chain and guide bar with a soft brush. Wipe the chain saw surface with a clean cloth moistened with a mild soap solution.
- Remove the side cover, and then use a soft brush to remove debris from the guide bar, saw chain, sprocket and side cover.
- Always clean out wood chips, saw dust, and dirt from the guide bar groove when replacing the saw chain.

GUIDE BAR MAINTENANCE

When the guide bar shows signs of wear, disassemble it from the chain saw power head and reverse it for reassembly (Fig. 19), in which case it will distribute the wear for maximum bar life.

The bar should be cleaned every day of use and checked for wear and damage. Feathering or burring of the bar rails is a normal process of bar wear. Such faults should be smoothed with a file as soon as they occur. A bar with any of the following faults should be replaced.

- Wear inside the bar rails which permits the chain to lay over sideways.
- Bent guide bar.
- Cracked or broken rails.
- Spread rails.

In addition, the guide bar has a sprocket at its tip (Fig. 20-1). The sprocket must be lubricated weekly with a grease syringe to extend the guide bar life (Fig. 21). Use a grease syringe to lubricate weekly with chain oil by means of the lubricating hole (Fig. 20-2). Turn the guide bar and check that the lubrication

holes and chain groove are free from impurities.

CHAIN MAINTENANCE

Use only low-kickback chains on this saw. This fast cutting chain will provide kickback reduction when properly maintained.

A properly sharpened saw chain cuts through wood effortlessly, even with very little pressure. Never use a dull or damaged saw chain. A dull saw chain cutter leads to increased physical strain, increased vibration load, unsatisfactory cutting results, and increased wear.

For smooth and fast cutting, the chain needs to be maintained properly. The chain requires sharpening when the wood chips are small and powdery, the chain must be forced through the wood during cutting, or the chain cuts to one side. During maintenance of your chain, consider the following:

- Improper filing angle of the side plate can increase the risk of a severe kickback.
- Depth gauge clearance. Too low increases the potential for kickback. Not low enough decreases cutting ability.
- If cutter teeth have hit hard objects, such as nails and stones, or have been abraded by mud or sand on the wood, have the chain sharpened by a qualified service technician.

TRANSPORTING AND STORING

- Do not store or transport the chain saw when it is running. Always remove the battery pack before storing or transporting.
- Always place the guide bar sheath on the guide bar and chain before storing or transporting the chain saw. Use caution to avoid the sharp teeth of the chain.
- Clean the chain saw thoroughly before storing. Store the chain saw indoors, in a dry place that is locked and/or inaccessible to children.
- Keep away from corrosive agents such as garden chemicals and de-icing salts.

Protecting the environment



WEEE (Waste Electrical and Electronic Equipment)

Do not dispose of electrical equipment, used battery and charger into household waste! Take this product to an authorized recycler and make it available for separate collection. Electric tools must be returned to an environmentally compatible recycling facility.

TROUBLESHOOTING

EN

PROBLEM	CAUSE	SOLUTION
Motor does not start.	<ul style="list-style-type: none"> ■ The battery pack is not attach the battery pack to the chain saw. ■ No electrical contact between the saw and battery. ■ The battery pack is depleted. ■ The battery pack or chain saw is too hot. ■ Chain brake is engaged. ■ Debris in bar groove. ■ Debris in side cover. 	<ul style="list-style-type: none"> ■ Attach the battery pack to the chain saw. ■ Remove battery, check contacts and reinstall the battery pack. ■ Charge the battery pack. ■ Allow the battery pack or chain saw to cool until the temperature drops below 67 °C. ■ Pull the chain-kickback brake handle backward toward the front handle, arriving at the operating position. ■ Press the saw chain against the wood, move the chain saw back and forth to discharge the debris. ■ Remove battery pack, then remove side cover and clean out debris.
Chain saw stops running during working.	<ul style="list-style-type: none"> ■ The chain saw is overloaded. ■ The battery pack or chain saw is too hot. ■ Saw chain is bound in the wood. 	<ul style="list-style-type: none"> ■ Decrease the load. ■ Decrease the load. Allow the battery pack or chain saw to cool until the temperature drops below 67 °C. ■ Release the trigger switch; remove the saw chain and guide bar from the wood, then restart the chain saw.
Motor runs, but chain does not rotate.	<ul style="list-style-type: none"> ■ Chain does not engage drive sprocket. ■ Debris preventing full movement of the chainkickback brake handle. ■ Possible chain brake malfunction. 	<ul style="list-style-type: none"> ■ Reinstall the chain, ensuring that the drive links on the chain are fully seated onto the sprocket. ■ Debris preventing full movement of the chainkickback brake handle. ■ Contact EGO Customer Service for repair.

PROBLEM	CAUSE	SOLUTION
Chain saw does not cut properly.	<ul style="list-style-type: none"> ■ Insufficient chain tension. ■ Dull chain. ■ Chain installed backwards. ■ Worn chain. ■ Dry or excessively stretched chain. 	<ul style="list-style-type: none"> ■ Loosen the quick chain-tension adjust knob at least twice circles counterclockwise first and then fully tighten it clockwise until the chain is correctly tensioned. ■ Sharpen the chain cutters, following the section “HOW TO SHARPEN THE CUTTERS”. ■ Reinstall the saw chain, following the section “ASSEMBLING/REPLACING THE BAR AND CHAIN”. ■ Replace the saw chain, following the section “ASSEMBLING/REPLACING THE BAR AND CHAIN”. ■ Check the oil level in the oil tank. Refill the oil tank if necessary.
Chain drops off the guide bar.	<ul style="list-style-type: none"> ■ Insufficient chain tension. ■ Chain does not engage drive sprocket. 	<ul style="list-style-type: none"> ■ Loosen the quick chain-tension adjust knob at least twice circles counterclockwise first and then fully tighten it clockwise until the chain is correctly tensioned. ■ Reinstall the chain, following the section “ASSEMBLING/REPLACING THE BAR AND CHAIN”, ensuring that the drive links on the chain are fully seated onto the sprocket.
Bar and chain running hot and smoking.	<ul style="list-style-type: none"> ■ Chain oil tank is empty. ■ Debris in guide bar groove. 	<ul style="list-style-type: none"> ■ Filling bar and chain lubricant. ■ Clear the debris in the groove.

WARRANTY

EGO WARRANTY POLICY

Please visit the website egopowerplus.com for full terms and conditions of the EGO Warranty policy.

LESEN SIE ALLE ANWEISUNGEN!



LESEN SIE DIE BETRIEBSANLEITUNG

⚠ Restrisiko! Menschen mit elektronischen

Geräten, wie z.B. Herzschrittmachern, sollten ihren Arzt konsultieren, bevor sie dieses Gerät verwenden. Die Bedienung von Elektrogeräten in unmittelbarer Nähe zu Herzschrittmachern kann zu Interferenzen und Störungen des Schrittmachers führen.

WARNSYMBOLLE

Der Zweck von Warnsymbolen besteht darin, Ihre Aufmerksamkeit auf mögliche Gefahren zu lenken. Die Warnsymbole und deren Erklärungen verdienen Ihre vollste

Aufmerksamkeit und Beachtung. Durch die Warnsymbole allein sind die Gefahren noch nicht ausgeschaltet. Die Anweisungen und Warnhinweise stellen keinen Ersatz für angemessene Unfallverhütungsmaßnahmen dar.

⚠ WARNUNG: Vor der Benutzung des Geräts sollten Sie alle Sicherheitsanweisungen in dieser Bedienungsanleitung gelesen und verstanden haben, vor allem die Sicherheits- und Gefahrenzeichen wie „**VORSICHT**“, „**WARNUNG**“ und „**ACHTUNG**“. Die Nichtbeachtung aller aufgeführten Anweisungen kann zu Stromschlägen, Bränden und/oder schweren Verletzungen führen.

SYMBOLBEDEUTUNG

Auf dieser Seite werden die Warnsymbole vorgestellt und beschrieben, die sich unter Umständen an dem Gerät befinden. Alle Anweisungen am Gerät lesen, verstehen und befolgen, bevor das Gerät montiert und eingesetzt wird.

SAFETY SYMBOLS



Sicherheitswarnung



Augenschutz tragen



Kopfschutz tragen



Führungsschiene



Rückstoß von Schienenspitze



Vor Regen schützen.



Elektrische Altgeräte dürfen nicht im Hausmüll entsorgt werden. Bringen Sie das Gerät zu einem Wertstoffhof.

V

Volt



Gleichstrom



Um das Verletzungsrisiko zu verringern, muss der Benutzer die Bedienungsanleitung vor der Benutzung des Gerätes gelesen und verstanden haben.



Gehörschutz tragen



Schutzhandschuhe tragen



Kettensäge nicht einhändig benutzen



Kettensäge immer mit beiden Händen festhalten



Nehmen Sie sich vor einem Rückschlag in Acht und vermeiden Sie den Kontakt mit der Schwertspitze.



Lärm

min⁻¹


Umdrehungen pro Minute



CE

TECHNISCHE DATEN

DE

Spannung	56 V 	
Empfohlene Betriebstemperatur:	-15°C-40°C	
Empfohlene Lagertemperatur:	-20°C-70°C	
Optimale Ladetemperatur	5 °C-40 °C	
Kettensägengeschwindigkeit	20 m/s	
Kettenteilung	9,5 mm	
Kettengliedlänge	1,3 mm	
Sägekettentyp	91PX062X 90PX056X 90PX052X	
Führungsschienentyp	180SDEA041 164MLEA041 144MLEA041	
Volumen Kettenöltank	200 ml	
Gewicht (ohne Akku und Ketten-Schutzhülle)	4,4kg	
Gemessener Schalleistungspegel L_{WA}	103,53 dB(A) K=1,17 dB(A)	
Schalldruckpegel am Ohr des Bedieners L_{PA}	92,53 dB(A) K=3,0 dB(A)	
Garantierter Schalleistungspegel L_{WA} (gemäß 2000/14/EG)	105 dB(A)	
Vibration a_h	Vorderer Griff	5,158 m/s ² K=1,5 m/s ²
	Hinterer Griff	5,537 m/s ² K=1,5 m/s ²

- Der angegebene Vibrationsgesamtwert wurde nach einem Standard-Prüfverfahren gemessen und kann zum Vergleich mit einem anderen Werkzeug herangezogen werden.
- Der angegebene Vibrationsgesamtwert kann auch zur vorläufigen Risikobewertung herangezogen werden.

HINWEIS: Die beim Einsatz des Elektrowerkzeugs entstehenden Istvibrationen können von dem angegebenen Wert abweichen. Zum Schutz des Benutzers sollten Handschuhe und ein Gehörschutz während des Geräteinsatzes getragen werden.

BESCHREIBUNG

LERNEN SIE IHRE KETTENSÄGE KENNEN (Abb. 1)

- Schmierloch
- Führungsschiene

- Sägekette
- Öltankverschluss
- Kettenbremshebel
- Vorderer Griff
- Akku-Freigabeknopf
- Auslöser-Freigabeknopf
- Drehzahl-Wahlhebel
- Elektrische Kontakte
- Auswurfmechanismus
- Ölsichtfenster
- Hinterer Griff
- LED-Taste
- LED-Spots
- Prelldorne
- Kettenspannschraube
- Seitenabdeckung
- Kettenschutzhülle

PACKLISTE

BEZEICHNUNG DES TEILS	MENGE
Antriebskopf der Kettensäge	1
Sägekette	1
Führungsschiene	1
Kettenschutzhülle	1
Bedienungsanleitung	1

MONTAGE

MONTIEREN/AUSWECHSELN DER SCHIENE UND DER KETTE

⚠️ WARNUNG: Vor der Montage den Kettenbremshebel in die Bremsposition stellen.

- Legen Sie den Antriebskopf der Kettensäge auf die Seite. Die Seitenabdeckung sollte dabei nach oben zeigen (Abb. 2).
- Entfernen Sie die Seitenabdeckung, indem Sie die Kettenspannschraube gegen den Uhrzeigersinn drehen.
- Legen Sie die neue Sägekette in einer Schlaufe auf einer ebenen Fläche aus und richten Sie etwaige Knicke gerade.
- Legen Sie die Kettenglieder in die Nut der Führungsschiene ein und verlegen Sie die Kette hinten an der Führungsschiene wieder zurück (Abb. 3).

3-1	Kettenglieder
3-2	Nut der Führungsschiene

- Halten Sie die Kette auf der Führungsschiene fest und verlegen Sie sie über das Ritzel am Antriebskopf zurück (Abb. 4).

HINWEIS: In die Sägekette und den Antriebskopf sind kleine Richtungspfeile eingeprägt. Achten Sie beim Verlegen der Sägekette über die Führungsschiene darauf, dass die Pfeilrichtung auf der Sägekette mit der Pfeilrichtung am Antriebskopf übereinstimmt.

- Montieren Sie die Seitenabdeckung wieder und ziehen Sie die Kettenspannschraube fest an. Das Exzenterrad hinter der Seitenabdeckung ist so konstruiert, dass die Kette nicht zu stark gespannt werden kann
- Stellen Sie den Kettenbremshebel in Betriebsposition und drehen Sie die Kette mit der Hand, um zu prüfen, ob die Kette ohne zu Verkanten korrekt verlegt ist. Andernfalls muss die Kette erneut über die Schiene verlegt werden.

HINWEIS: An die Führungsschiene ist eine Einstellplatte angeschraubt. Falls die Führungsschiene ausgetauscht werden muss, montieren Sie die Einstellplatte von der Führungsschiene ab und bringen Sie sie an der neuen Schiene wieder an (s. Abb. 5).

BEDIENUNG

BESTIMMUNGSGEMÄSSE VERWENDUNG

Sie können dieses Gerät zum einfachen Fällen, Entasten, Bescheiden und Sägen von Holzstämmen und Bäumen benutzen.

HINWEIS: Das Gerät darf nur für den bestimmungsgemäßen Zweck verwendet werden. Jede andere Verwendung gilt als Zweckentfremdung.

ANBRINGEN/ABNEHMEN DES AKKUS

Laden Sie den Akku vor dem ersten Gebrauch voll auf.

Nur die folgenden Akkus und Ladegeräte von EGO verwenden:

AKKU	LADEGERÄT
BA1120E, BA2240E, BA1400, BA2800, BA3360, BA4200, BA1400T, BA2800T, BA4200T, BA5600T	CH2100E, CH5500E

Anbringen

Lassen Sie die Rippen am Akkugehäuse mit den Aufnahmen am Gerät fluchten und schieben Sie den Akku bis zum hörbaren Einrasten in das Gerät (Abb. 6).

Abnehmen

Drücken Sie den Akku-Freigabeknopf und ziehen Sie den Akku heraus (Abb. 7).

LED-SPOTS

Die LED-Leuchte (Abb. 1-15) befindet sich vorn am Antriebskopf der Kettensäge. Sie liefert zusätzliches Licht für eine bessere Sicht und lässt sich auf 2 Helligkeitsstufen einstellen.

Zum Einschalten drücken Sie den LED-Schalter (Abb. 1-14). Der Bereich vor der Kettensäge wird von dem Spot hell ausgeleuchtet. Beim zweiten Drücken des LED-Schalters leuchtet der Spot noch heller.

Zum Ausschalten drücken Sie den LED-Schalter ein drittes Mal.

STARTEN/STOPPEN DER KETTENSÄGE Vor dem Starten der Kettensäge

HINWEIS: Kontrollieren Sie vor dem Einschalten der Kettensäge die Kettenspannung und den Ölstand, die Schärfe der Sägezähne und die korrekte Funktion des Kettenbremshebels. Darüber hinaus sind ein fester Stand und ein sicherer Abstand zum Boden wichtig.

Einschalten

- Ziehen Sie den Kettenbremshebel zum vorderen Griff in die Betriebsstellung
- Halten Sie die Säge mit beiden Händen vom vorderen und hinteren Griff gut fest.
- Zum Starten des Geräts drücken Sie zuerst den Auslöser-Freigabeknopf und anschließend den stufenlosen Auslöser. Je mehr Druck auf den stufenlosen Auslöser ausgeübt wird, desto stärker beschleunigt die Kette.
- Lassen Sie den Auslöser-Freigabeknopf los und halten Sie den stufenlosen Auslöser weiter gedrückt. Die Säge läuft nun im Dauerbetrieb.

Die Griffe gut festhalten (Abb. 8)

- Rutschfeste Handschuhe sorgen für maximalen Halt und Schutz.
- Legen Sie die Säge auf eine feste, ebene Fläche und halten Sie die Säge mit beiden Händen gut fest.
- Greifen Sie immer den vorderen Griff mit der linken Hand und den hinteren Griff mit der rechten.
- Die Finger sollten den Griff umfassen, wobei der Daumen den vorderen Griff von unten umfasst.

⚠️ WARNUNG: Nie linkshändig (über Kreuz) festhalten oder eine Haltung einnehmen, bei der der Körper oder Arm die Kettenlinie kreuzt (Abb. 9).

Richtige Position beim Schneiden (Abb. 10)

- Beide Füße sollten auf festem Boden stehen und das Gewicht sollte gleichmäßig auf beide Beine verteilt sein.

- Der linke Arm sollte gerade und der Ellbogen durchgedrückt sein. Mit dieser Haltung können Sie den Kräften besser standhalten, die durch einen Rückschlag oder Rückstoß entstehen.
- Ihr Körper sollte sich immer links von der Kettenlinie befinden.

SÄGEN

Grundtechnik

- Unerfahrene Benutzer sollten zunächst üben, Holzstämmen auf einem Sägebock zu sägen.
- Zum Ansetzen der Säge drücken Sie die Führungsschiene leicht gegen das Holz. Wenden Sie nur leichten Druck an und überlassen Sie der Säge die Arbeit.
- Achten Sie auf eine konstante Geschwindigkeit während der Schnitfführung. Geben Sie kurz vor dem Ende des Schnitts nach.

⚠️ WARNUNG: Wenn die Sägekette während des Sägens stoppt, weil sie fest sitzt, lassen Sie den Auslöser los. Ziehen Sie die Sägekette und Führungsschiene aus dem Holz und schalten Sie die Kettensäge wieder ein.

⚠️ WARNUNG: Ziehen Sie die Sägekette nicht mit der Hand, wenn Sie wegen Sägestaub blockiert.

⚠️ WARNUNG: Starten Sie die Kettensäge niemals, wenn sie Kontakt mit dem Holz hat. Warten Sie immer zuerst, bis die Kettensäge ihre volle Drehzahl erreicht hat, bevor Sie mit der Säge in das Holz sägen.

FÄLLEN EINES BAUMES

- Wenn zwei oder mehr Personen gleichzeitig ablängen und fällen, sollte zwischen der Fällarbeit und der Ablängarbeit ein Sicherheitsabstand eingehalten werden, der mindestens doppelt so groß ist wie die Höhe des zu fällenden Baumes. Bäume sollten so gefällt werden, dass keine Personen gefährdet werden, öffentliche Stromleitungen getroffen werden oder Sachschäden entstehen können. Wenn ein Baum mit einer öffentlichen Stromleitung in Berührung kommt, muss das Elektrizitätswerk sofort davon in Kenntnis gesetzt werden.
- Der Bediener der Kettensäge sollte sich auf der Bergseite des Geländes aufhalten, da der Baum nach dem Fällen wahrscheinlich bergab rollt oder rutscht.
- Vor Beginn der Sägearbeiten sollte ein Fluchtweg eingeplant und frei gehalten werden. Der Fluchtweg sollte hinter dem Baum schräg zu der erwarteten Fälllinie verlaufen (siehe Abb. 11).

11-1	Fällrichtung
------	--------------

- Achten Sie vor dem Fällen auf die natürliche Neigung des Baumes, die Lage größerer Äste und die Windrichtung, um zu beurteilen, in welche Richtung der Baum fallen wird.
- Beseitigen Sie Schmutz, Steine, lose Rinde, Nägel, Heftklammern und Drähte/Seile vom Baum.

Fällkerb-Unterschnitt

Schneiden Sie eine Kerbe von 1/3 des Stammdurchmessers senkrecht zur Fallrichtung, wie in Abb. 12 dargestellt. Setzen Sie zuerst den unteren waagrecht Kerbschnitt. Dies hilft, das Einklemmen der Sägekette oder der Führungsschiene zu vermeiden, wenn der zweite Kerbschnitt hergestellt wird.

Fällschnitt

- Setzen Sie den Fällschnitt mindestens 50 mm oberhalb des waagrecht Kerbschnitts an (siehe Abb. 12-3).

12-1	Fällrichtung	12-3	Fällschnitt
12-2	Kerbe	12-4	Scharnier

Führen Sie den Fällschnitt parallel zum waagrecht Fällkerbschnitt. Setzen Sie den Fällschnitt so, dass genug Holz übrig bleibt, über das der Baum wie bei einem Scharnier abknicken kann. Dieser Knickpunkt verhindert, dass sich der Baum dreht und in die falsche Richtung fällt. Nicht durch den Knickpunkt sägen.

- Der Baum beginnt zu fallen, je näher der Fällschnitt dem Knickpunkt kommt. Sollte die Gefahr bestehen, dass der Baum nicht in die gewünschte Richtung fällt oder rückwärts kippt und die Sägekette einklemmt, sägen Sie nicht weiter, bevor der Fällschnitt abgeschlossen ist. Verwenden Sie Keile aus Holz, Kunststoff oder Aluminium, um den Schnitt zu öffnen und den Baum entlang der gewünschten Linie zum Fallen zu bringen.
- Wenn der Baum zu fallen beginnt, ziehen Sie die Kettensäge aus dem Schnitt, stellen Sie den Motor ab, legen die Kettensäge ab und verlassen Sie den Bereich über den geplanten Fluchtweg. Achten Sie auf herunterfallende Äste und auf festen Untergrund.

Entasten eines Baums

Entasten bedeutet das Entfernen der Äste eines gefällten Baums. Beim Entasten werden die größeren Äste unter dem Baum gelassen, damit der Stamm über dem Boden abgestützt bleibt. Entfernen Sie die kleineren Äste in einem Schnitt, wie in Abb. 13 dargestellt. Unter Spannung stehende Äste sollten von unten nach oben geschnitten werden, um ein Einklemmen der Kettensäge zu vermeiden.

Ablängen eines Stamms

- Ablängen bedeutet das Durchtrennen eines Stamms in mehrere Teile. Dabei ist es besonders wichtig, dass Sie fest stehen und Ihr Gewicht gleichmäßig auf beide Füße verteilt ist. Wenn möglich, sollte der Stamm angehoben sein und mithilfe von Ästen, Stämmen oder Unterlegkeilen gestützt werden. Um die Sägearbeit zu erleichtern, sollte Sie diese einfachen Anweisungen befolgen.
- Wenn der Stamm über seine gesamte Länge abgestützt wird (siehe Abb. 14), wird er von der Oberseite her angesägt (Ablängen von oben).
- Wenn der Stamm an einem Ende abgestützt wird (siehe Abb. 15), sägen Sie ein Drittel des Durchmessers von der Unterseite aus
- (Ablängen von unten). Führen Sie dann den letzten Schnitt von oben durch den Stamm, bis er auf den ersten Schnitt trifft.
- Wenn der Stamm auf beiden Seiten abgestützt wird (siehe Abb. 16), sägen Sie ein 1/3 des Durchmessers von der Oberseite aus (Ablängen von oben). Führen Sie dann den letzten Schnitt von unten durch 2/3 des Stamms, bis dieser auf den Schnitt trifft.
- Stehen Sie bei Ablängarbeiten an einem Hang immer bergauf vom Stamm (siehe Abb. 17).
- Um die vollständige Kontrolle beim „Durchsägen“ zu behalten, verringern Sie den Druck beim Sägen kurz vor dem Durchschneiden, ohne beim festen Halt an den Kettensägegriffen nachzugeben. Die Kette nicht den Boden berühren lassen. Warten Sie nach Fertigstellung des Schnitts, bis die Sägekette stillsteht, bevor Sie die Kettensäge bewegen. Stellen Sie stets den Motor ab, bevor Sie sich zum nächsten Baum bewegen.

WARTUNG

EINFÜLLEN VON SCHIENEN- UND KETTEN-SCHMIERSTOFF

HINWEIS: Beim Kauf ist die Kettensäge nicht mit Öl befüllt. Vor dem Gebrauch muss der Tank mit Öl befüllt werden. Während des Betriebs wird die Kette automatisch mit Kettenöl geschmiert.

1. Legen Sie die Kettensäge mit dem Öltankverschluss nach oben auf die Seite.
2. Wischen Sie den Verschlussdeckel und den Bereich rundherum ab. Schrauben Sie den Deckel dann gegen den Uhrzeigersinn ab (Abb. 18).
3. Gießen Sie das Spezialöl bis zum unteren Ende des Einfüllstutzens in den Tank.
4. Wischen Sie die Ölreste ab und bringen Sie den Deckel wieder an.

HINWEIS: In aufrechter Position sollte das Öl das

Sichtfenster komplett füllen. Wenn im Sichtfenster kein Öl mehr zu sehen ist, muss das Gerät sofort ausgeschaltet und Öl nachgefüllt werden.

REINIGUNG

- Entfernen Sie nach jedem Gebrauch mithilfe einer weichen Bürste anhaftenden Schmutz von der Kette und Führungsschiene. Wischen Sie die Oberfläche der Kettensäge mit einem sauberen und mit milder Seifenlösung befeuchteten Tuch ab.
- Nehmen Sie die Seitenabdeckung ab und entfernen Sie dann mit einer weichen Bürste Ablagerungen von der Führungsschiene, Sägekette, vom Ritzel und der Seitenabdeckung.
- Reinigen Sie die Nut der Führungsschiene bei jedem Wechsel der Sägekette, um Holzspäne, Sägestaub und Schmutz zu beseitigen.

WARTUNG DER FÜHRUNGSSCHIENE

Falls die Führungsschiene Verschleißerscheinungen aufweist, montieren Sie sie vom Antriebskopf der Säge ab und bauen Sie sie umgedreht wieder ein (Abb. 19). Dadurch verteilt sich die Abnutzung, die Schiene wird geschont und hält länger.

Die Schiene sollte jeden Tag, an dem das Gerät gebraucht wurde, gereinigt und auf Verschleiß sowie Schäden untersucht werden. Scharfe Kanten oder Grat an den Schienenstegen sind normale Verschleißerscheinungen an der Schiene. Diese Fehlstellen sollten mit einer Feile geglättet werden, sobald sie sich bemerkbar machen. Eine Schiene mit einem der folgenden Mängel sollte ausgewechselt werden:

- Verschleiß in den Schienenstegen, wodurch sich die Kette seitlich legen kann.
- Verbogene Führungsschiene
- Gesprungene oder gebrochene Stege.
- Gespreizte Stege.

Darüber hinaus ist die Führungsschiene mit einem Zahnrad an der Spitze versehen (Abb. 20-1). Das Zahnrad muss wöchentlich mit einer Fettpresse geschmiert werden, um die Nutzungsdauer der Führungsschiene zu verlängern (Abb. 21). Füllen Sie über das Schmierloch (Abb. 20-2) wöchentlich Kettenöl mit einer Fettpresse ein. Wenden Sie die Führungsschiene und prüfen Sie, ob die Schmierlöcher und Kettennut frei von Verunreinigungen sind.

WARTUNG DER KETTE

Verwenden Sie für diese Säge nur rückschlagarme Ketten. Diese schnell trennende Kette sorgt für eine Reduzierung des Rückschlags, wenn sie sachgemäß gewartet wird.

Eine sachgemäß geschärfte Sägekette durchtrennt Holz mühelos, selbst mit sehr wenig Druck. Benutzen Sie niemals eine stumpfe oder beschädigte Sägekette. Eine stumpfe Sägekette führt zu erhöhter körperlicher Belastung, erhöhter Beanspruchung durch Vibration, zu einem mangelhaften Schnitt und erhöhtem Verschleiß.

Für ein schnelles und reibungsloses Sägen muss die Kette ordnungsgemäß gewartet werden. Die Kette muss geschärft werden, wenn die Holzspäne klein und pulvrig sind, wenn ein größerer Kraftaufwand beim Sägen des Holzes erforderlich ist oder die Kette zu einer Seite zieht. Berücksichtigen Sie bei der Wartung Ihrer Kette Folgendes:

- Ein falscher Schleifwinkel der Seitenfläche kann das Risiko eines heftigen Rückschlags erhöhen.
- Tiefenmaß-Toleranz Ein zu tiefes Eintauchen erhöht die Rückschlaggefahr. Durch zu flaches Eintauchen nimmt die Sägeleistung ab.
- Falls die Sägezähne auf harte Gegenstände wie Nägel und Steine treffen oder durch Schlamm oder Sand am Holz abgenutzt werden, lassen Sie die Kette von einem qualifizierten Servicetechniker schärfen.

TRANSPORT UND LAGERUNG

- Eine laufende Kettensäge darf nicht verstaut oder transportiert werden. Entfernen Sie vor dem Lagern oder Transportieren immer den Akku.
- Schieben Sie die Führungsschienen-Schutzhülle über die Führungsschiene und Kette, bevor Sie die Kettensäge einlagern oder transportieren. Nehmen Sie sich vor den scharfen Zähnen der Kette in Acht.
- Reinigen Sie die Kettensäge gründlich, bevor Sie sie verstauen. Lagern Sie die Kettensäge im Haus an einem trockenen Ort, der abgeschlossen und/oder für Kinder nicht erreichbar ist.
- Halten Sie sie von korrosiven Mitteln wie Gartenchemikalien oder Streusalz fern.

Schutz der Umwelt



WEEE-Altgeräteverordnung (Waste Electrical and Electronic Equipment)

Elektrogeräte, alte Akkus und Ladegeräte dürfen nicht im Hausmüll entsorgt werden! Das Gerät muss einer offiziellen Recycling-Sammelstelle zur getrennten Entsorgung zugeführt werden. Elektrowerkzeuge müssen bei einer umweltfreundlichen Recycling-Einrichtung abgegeben werden.

STÖRUNGSBEHEBUNG

DE

PROBLEM	URSACHE	LÖSUNG
Motor startet nicht.	<ul style="list-style-type: none"> ■ Der Akku ist nicht an der Kettensäge angeschlossen. ■ Es besteht kein elektrischer Kontakt zwischen Säge und Akku. ■ Der Akku ist leer. ■ Der Akku oder die Kettensäge ist zu heiß. ■ Kettenbremse ist eingerückt. ■ Sägereste in der Schienennut ■ Sägereste in der Seitenabdeckung 	<ul style="list-style-type: none"> ■ Akku an die Kettensäge anschließen ■ Akku herausnehmen, Kontakte überprüfen und wieder anschließen. ■ Akku aufladen ■ Akku bzw. Kettensäge unter 67 °C abkühlen lassen. ■ Ziehen Sie den Kettenbremshebel in Richtung des vorderen Griffs in Betriebsposition. ■ Drücken Sie die Sägekette gegen das Holz und bewegen Sie die Kettensäge vor und zurück, um die Rückstände zu beseitigen. ■ Entfernen Sie den Akku, nehmen Sie dann die Seitenabdeckung ab und entfernen Sie die Rückstände.
Kettensäge hält während des Sägens an.	<ul style="list-style-type: none"> ■ Die Kettensäge ist überlastet. ■ Der Akku oder die Kettensäge ist zu heiß. ■ Sägekette sitzt im Holz fest. 	<ul style="list-style-type: none"> ■ Verringern Sie die Belastung. ■ Verringern Sie die Belastung. Akku bzw. Kettensäge unter 67 °C abkühlen lassen. ■ Lassen Sie den Auslöser los; ziehen Sie die Sägekette und Führungsschiene aus dem Holz und schalten Sie die Kettensäge wieder ein.
Motor läuft, aber die Kette dreht sich nicht.	<ul style="list-style-type: none"> ■ Kette greift nicht in das Antriebsritzel ein. ■ Rückstände verhindern die vollständige Bewegung des Kettenbremshebels. ■ Mögliche Fehlfunktion der Kettenbremse 	<ul style="list-style-type: none"> ■ Montieren Sie die Kette erneut. Achten Sie dabei darauf, dass die Kettenglieder vollständig auf dem Kettenrad sitzen. ■ Rückstände verhindern die vollständige Bewegung des Kettenbremshebels. ■ Wenden Sie sich zwecks Reparatur an den EGO-Kundendienst.

PROBLEM	URSACHE	LÖSUNG
Kettensäge sägt nicht richtig.	<ul style="list-style-type: none"> ■ Ungenügende Kettenspannung ■ Stumpfe Kette ■ Kette verkehrt herum installiert ■ Abgenutzte Kette ■ Trockene oder übermäßig gedehnte Kette 	<ul style="list-style-type: none"> ■ Lösen Sie die Kettenspannschraube mindestens zwei volle Umdrehungen gegen den Uhrzeigersinn und ziehen Sie sie dann im Uhrzeigersinn fest, bis die Kette die richtige Spannung hat. ■ Schärfen Sie die Sägezähne. Beachten Sie dazu den Abschnitt “SCHÄRFEN DER SÄGEZÄHNE“. ■ Montieren Sie die Sägekette wieder. beachten dazu den Abschnitt “MONTIEREN/AUSWECHSELN DER FÜHRUNGSSCHIENE UND DER KETTE“. ■ Tauschen Sie die Sägekette gemäß Abschnitt “MONTIEREN/AUSWECHSELN DER FÜHRUNGSSCHIENE UND DER KETTE“ aus. ■ Überprüfen Sie den Ölstand im Öltank. Füllen Sie gegebenenfalls Öl nach.
Kette springt von der Kettenschiene ab.	<ul style="list-style-type: none"> ■ Ungenügende Kettenspannung ■ Kette greift nicht in das Antriebsritzel ein. 	<ul style="list-style-type: none"> ■ Lösen Sie die Kettenspannschraube mindestens zwei volle Umdrehungen gegen den Uhrzeigersinn und ziehen Sie sie dann im Uhrzeigersinn fest, bis die Kette die richtige Spannung hat. ■ Montieren Sie die Kette wieder. Befolgen Sie dazu den Abschnitt “MONTIEREN/AUSWECHSELN DER FÜHRUNGSSCHIENE UND DER KETTE“. Achten Sie dabei darauf, dass die Kettenglieder vollständig auf dem Kettenrad sitzen.
Schiene und Kette laufen heiß und setzen Rauch frei.	<ul style="list-style-type: none"> ■ Kettenöltank ist leer. ■ Schmutzreste in der Nut der Führungsschiene 	<ul style="list-style-type: none"> ■ Schienen- und Kettenschmiermittel nachfüllen. ■ Entfernen Sie Schmutzreste aus der Nut.

GARANTIE

EGO-GARANTIEBEDINGUNGEN

Sämtliche EGO Garantiebedingungen finden Sie auf der Website egopowerplus.com.

LISEZ TOUTES LES INSTRUCTIONS!**LISEZ LE MANUEL D'UTILISATION**

⚠ Risques résiduels! Les personnes portant des appareils électroniques, par exemple des stimulateurs cardiaques, doivent consulter leur(s) médecin(s) avant d'utiliser ce produit. L'utilisation d'un équipement électrique près d'un stimulateur cardiaque peut provoquer des interférences ou la panne du stimulateur cardiaque.

SYMBOLE DE SECURITE

L'objectif des symboles de sécurité est d'attirer votre attention sur des dangers potentiels. Les symboles de sécurité et les explications les accompagnant doivent être lus attentivement et compris. Les symboles de mise en garde ne permettent pas par eux-mêmes d'éliminer

les dangers. Les consignes et mises en garde ne se substituent pas à des mesures de prévention appropriées des accidents.

⚠ AVERTISSEMENT: Lisez et comprenez impérativement toutes les consignes de sécurité de ce manuel d'utilisation, y compris les symboles de mise en garde de sécurité tels que « **DANGER** », « **AVERTISSEMENT** » et « **ATTENTION** » avant d'utiliser cet outil. Le non respect de toutes les instructions énumérées ci-dessous peut entraîner un choc électrique, un incendie et / ou des blessures graves.

FR

SIGNIFICATION DES SYMBOLES

Cette page décrit des symboles de sécurité pouvant être présents sur ce produit. Lisez, comprenez et respectez toutes les instructions présentes sur l'outil avant d'essayer de l'assembler et de l'utiliser.

SYMBOLES DE SÉCURITÉ

Alerte de sécurité



Porter une protection oculaire



Porter un casque de protection.



Guide-chaîne



Rebond de nez de guide-chaîne



Ne pas exposer à la pluie.



Les produits électriques usagés ne doivent pas être jetés avec les ordures ménagères. Apportez-les dans un centre de recyclage agréé.

V

Volts



Courant continu



Pour réduire le risque de blessures, l'utilisateur doit lire et comprendre le manuel d'utilisation avant d'utiliser ce produit.



Porter une protection auditive



Porter des gants protecteurs.



N'utilisez pas la tronçonneuse à une main



Utilisez toujours la tronçonneuse à deux mains



Faites attention au rebond de la tronçonneuse et évitez tout contact avec l'extrémité du guide



Bruit

min⁻¹


Tours par minute



CE

SPÉCIFICATIONS

FR

Tension	56 V 	
Température d'utilisation recommandée	-15°C-40°C	
Température de stockage recommandée	-20°C-70°C	
Température de recharge optimale	5 °C-40 °C	
Vitesse de rotation de la chaîne	20 m/s	
Pas de chaîne	9,5 mm	
Limiteur de profondeur	1,3 mm	
Type de chaîne	91PX062X 90PX056X 90PX052X	
Type de guide-chaîne	180SDEA041 164MLEA041 144MLEA041	
Capacité du réservoir d'huile de chaîne	200 ml	
Poids (sans la batterie et sans le protège-guide)	4,4kg	
Niveau de puissance acoustique mesuré L_{WA}	103,53 dB(A) K=1,17 dB(A)	
Niveau de pression acoustique au niveau des oreilles de l'opérateur L_{PA}	92,53 dB(A) K=3,0 dB(A)	
Niveau de puissance acoustique garanti L_{WA} (selon 2000/14/CE)	105 dB(A)	
Vibration a_{rh}	Poignée avant	5,158 m/s ² K=1,5 m/s ²
	Poignée arrière	5,537 m/s ² K=1,5 m/s ²

- La valeur totale des vibrations indiquée a été mesurée selon une procédure conforme à une méthode de test standardisée et peut servir pour comparer différents outils.
- La valeur totale des vibrations déclarée peut également servir pour effectuer une évaluation préliminaire de l'exposition.

REMARQUE: Le niveau de vibrations lors de l'utilisation réelle de l'outil peut être différent de la valeur déclarée totale en fonction de la manière dont l'outil est utilisé ; Afin de protéger l'opérateur, l'utilisateur doit porter des gants et des protecteurs d'oreilles en conditions réelles d'utilisation.

DESCRIPTION

CONNAITRE VOTRE TRONÇONNEUSE (Fig. 1)

- Trou de lubrification
- Guide-chaîne
- Chaîne
- Bouchon du réservoir d'huile
- Poignée de frein de chaîne anti-rebond
- Poignée avant
- Bouton d'éjection de la batterie
- Bouton de déverrouillage
- Interrupteur-gâchette de vitesse variable
- Contacts électriques
- Mécanisme d'éjection
- Fenêtre d'observation du niveau d'huile
- Poignée arrière
- Bouton LED
- Lampes avant à LED
- Griffes
- Bouton de réglage rapide de la tension de la chaîne
- Capot latéral
- Protège-guide

CONTENU DE L'EMBALLAGE

NOM DES PIÈCES	QUANTITÉ
Unité moteur de la tronçonneuse	1
Chaîne	1
Guide-chaîne	1
Protège-guide	1
Manuel d'utilisation	1

ASSEMBLAGE

ASSEMBLER/REPLACER LE GUIDE ET LA CHAÎNE

AVERTISSEMENT: réglez la poignée de freinage de rebond de chaîne en position de freinage avant l'assemblage.

- Posez l'unité moteur de la tronçonneuse sur le côté avec son capot latéral vers le haut (Fig. 2).
- Retirez le capot latéral en tournant le bouton de réglage rapide de la tension de chaîne dans le sens antihoraire
- Faites une boucle sur une surface plane avec la nouvelle chaîne en redressant tout pli
- Insérez les maillons d'entraînement de la chaîne dans le rail du guide et faites une boucle avec la chaîne à l'arrière du guide (Fig. 3).

3-1	Maillons d'entraînement de la chaîne
3-2	Rail du guide

- Maintenez la chaîne en position sur le guide et placez la boucle autour du pignon d'entraînement de l'unité moteur (Fig. 4).

REMARQUE: De petites flèches sont gravées dans la chaîne de la scie et dans l'unité moteur. Quand vous placez la chaîne autour du guide, veillez à ce que la direction des flèches de la chaîne corresponde à celle de la flèche sur l'unité moteur.

- Remplacez le capot latéral et resserrez entièrement le bouton de réglage rapide de la tension de la chaîne. L'engrenage excentrique à l'intérieur du capot latéral est conçu pour garantir que la chaîne ne soit pas surtendue.
- Réglez la poignée de frein de chaîne anti-rebond à la position de fonctionnement puis faites tourner la chaîne à la main pour vérifier qu'elle soit bien montée et ne se bloque pas. Sinon, remontez la chaîne et le guide.

REMARQUE: Une plaque de réglage est montée sur le guide-chaîne avec une vis. Si le guide-chaîne doit être remplacé, retirez la plaque de réglage du guide-chaîne et remontez-la sur le nouveau guide-chaîne comme montré sur la Fig. 5

FONCTIONNEMENT

APPLICATION

Vous pouvez utiliser ce produit pour des travaux de base d'abattage, d'ébranchage, d'élagage et de coupe de bois de chauffage et d'arbres.

REMARQUE: L'outil ne doit être utilisé que pour son usage prévu. Toute autre utilisation est considérée comme inappropriée.

INSÉRER/RETIRER LA BATTERIE

Rechargez complètement la batterie avant la première utilisation.

Utilisez exclusivement les batteries et les chargeurs EGO listés ci-dessous :

BATTERIE	CHARGEUR
BA1120E, BA2240E, BA1400, BA2800, BA3360, BA4200, BA1400T, BA2800T, BA4200T, BA5600T	CH2100E, CH5500E

Insertion

Alignez les arêtes de la batterie sur les rainures d'assemblage et poussez la batterie vers le bas jusqu'à entendre un déclic (Fig. 6).

Retrait

Appuyez sur le bouton de déblocage de la batterie et tirez la batterie hors de l'outil (Fig. 7).

LAMPES AVANT À LED

Les lampes avant à LED (Fig. 1-15) sont situées sur l'avant de l'unité moteur de la tronçonneuse. Elles offrent un éclairage supplémentaire pour améliorer la visibilité et disposent de 2 niveaux de luminosité.

Appuyez sur le bouton LED pour allumer les lampes (Fig. 1-14). Les lampes fournissent un éclairage brillant à l'avant de la tronçonneuse. Réappuyez sur le bouton LED et les lampes brillent davantage.

Appuyez une troisième fois sur le bouton LED pour éteindre les lampes.

DÉMARRER/ÉTEINDRE LA TRONÇONNEUSE

Avant de démarrer la tronçonneuse

REMARQUE: Avant de démarrer la tronçonneuse, contrôlez le réglage de la tension de la chaîne et le niveau d'huile, l'affûtage des dents de scie et le bon fonctionnement de la poignée de frein de chaîne. Vous devez aussi avoir des appuis des pieds équilibrés et être suffisamment éloigné(e) du sol.

Allumer l'outil

- Tirez la poignée du frein de chaîne anti-rebond vers la poignée avant pour la mettre en position de démarrage.
- Saisissez fermement les poignées avant et arrière des deux mains.
- Maintenez le bouton de déverrouillage enfoncé, puis appuyez sur l'interrupteur-gâchette pour démarrer la tronçonneuse. La vitesse de la chaîne augmente plus vous exercez de pression sur l'interrupteur-gâchette.
- Relâchez le bouton de déverrouillage et continuez d'appuyer sur l'interrupteur-gâchette pour poursuivre l'utilisation.

Prise adéquate des poignées (Fig. 8)

- Portez des gants antidérapants afin de maximiser la saisie et la protection.
- Avec la tronçonneuse posée sur une surface plane et rigide, saisissez-la fermement des deux mains.
- Saisissez toujours la poignée avant avec la main gauche et la poignée arrière avec la main droite.

- Les doigts doivent enserrer les poignées avec le pouce placé sous la poignée avant.

⚠ AVERTISSEMENT: Ne tenez jamais l'outil en inversant la position des mains (position des gauchers) et ne prenez jamais une position dans laquelle votre corps ou vos bras coupent le plan longitudinal de la chaîne (Fig. 9).

Posture de coupe adéquate (Fig. 10)

- Les deux pieds doivent se trouver sur un sol ferme avec le poids également réparti sur les deux pieds.
- Le bras gauche doit être droit avec le coude bloqué. Cela aide à résister aux forces générées par un rebond.
- Votre corps doit toujours être positionné sur la gauche de l'alignement de la chaîne.

COUPE

Coupe rudimentaire

- Si vous êtes un utilisateur débutant, entraînez-vous à couper des bûches sur un chevalet ou un support pour bûches.
- Commencez la coupe en exerçant une faible pression sur le bois avec le guide-chaîne. N'appliquez qu'une légère force et laissez la scie faire le travail.
- Maintenez une vitesse constante tout le long de la coupe et relâchez la pression juste avant la fin.

⚠ AVERTISSEMENT: Quand la chaîne est arrêtée par un pincement pendant la coupe, relâchez l'interrupteur-gâchette, retirez la chaîne et le guide hors du bois, puis redémarrez la tronçonneuse.

⚠ AVERTISSEMENT: Ne tirez pas sur la chaîne à la main quand elle est coincée par des sciures.

⚠ AVERTISSEMENT: Ne démarrez jamais la tronçonneuse quand elle est en contact avec le bois. Attendez toujours que la chaîne ait atteint sa pleine vitesse avant de la mettre en contact avec le bois.

ABATTRE UN ARBRE

- Quand les opérations d'abattage et de débitage sont effectuées par plusieurs personnes en même temps, l'opération d'abattage doit être éloignée des opérations de débitage d'une distance d'au moins deux fois la hauteur de l'arbre à abattre. Les arbres ne doivent pas être abattus d'une manière pouvant mettre en danger une personne, percuter des lignes électriques ou provoquer des dommages matériels. Si l'arbre est en contact avec une ligne électrique, le fournisseur d'électricité doit en être informé immédiatement.
- L'opérateur de la tronçonneuse doit rester en amont sur la pente, car l'arbre peut rouler ou glisser vers le bas de la pente après avoir été abattu.

- Une voie d'issue doit être planifiée et dégagée autant que nécessaire avant de commencer les coupes. La voie d'issue doit se prolonger vers l'arrière et être diamétralement opposée à la ligne de chute prévue (Fig. 11).

11-1	Direction d'abattage
------	----------------------

- Avant de commencer l'opération d'abattage, prenez en compte l'inclinaison naturelle de l'arbre, l'emplacement des plus grandes branches et la direction du vent pour évaluer le sens de chute probable de l'arbre.
- Enlevez la terre, les morceaux d'écorce mal fixés, les pierres, les clous, les agrafes et les fils de fer de l'arbre.

Entaille inférieure

Pratiquez l'entaille au tiers du diamètre de l'arbre, perpendiculairement à la direction de la chute (comme le montre la Fig. 12). Effectuez la coupe basse horizontale en premier. Cette méthode vous aidera à éviter le coincement de la chaîne ou du guide-chaîne lors de la deuxième entaille.

Coupe arrière d'abattage

- Effectuez la coupe arrière d'abattage au minimum 50 mm plus haut que la première coupe horizontale (Fig. 12-3).

12-1	Sens de la chute	12-3	Coupe arrière d'abattage
12-2	Encoche	12-4	Charnière

Effectuez la coupe arrière d'abattage parallèlement à la première coupe horizontale. Effectuez la coupe arrière d'abattage en laissant une partie suffisante du tronc non coupée pour servir de charnière. La charnière de bois a pour but d'éviter que l'arbre ne pivote et ne tombe du mauvais côté. Ne coupez pas la partie du tronc servant de charnière.

- À mesure que la coupe se rapproche de la partie du tronc servant de charnière, l'arbre doit normalement commencer à tomber. S'il y a la moindre possibilité que l'arbre ne tombe pas dans la direction désirée ou qu'il bascule en arrière en bloquant la chaîne, stoppez la coupe arrière d'abattage avant de la terminer et utilisez des cales en bois, plastique ou aluminium pour ouvrir la coupe et faire tomber l'arbre dans le sens désiré.
- Quand l'arbre commence à tomber, retirez la tronçonneuse de la coupe, éteignez le moteur et posez la tronçonneuse, puis quittez la zone par la voie d'issue planifiée. Prenez garde à la chute de branches

surplombantes et faites attention là où vous mettez les pieds.

Ébrancher un arbre

L'ébranchage consiste à couper les branches d'un arbre abattu. Pendant l'ébranchage, laissez les grosses branches inférieures pour qu'elles soutiennent le tronc au-dessus du sol. Coupez les petites branches en une seule coupe (Fig. 13). Les branches sous tension doivent être coupées du bas vers le haut pour éviter que la chaîne et le guide-chaîne ne soient coincés.

Débiter un tronc

- Le débitage consiste à découper un tronc en rondins. Il faut impérativement que vous ayez des appuis des pieds stables et que votre poids soit uniformément réparti sur vos deux pieds. Dans la mesure du possible, le tronc doit être surélevé et soutenu par des branches, des troncs ou des billots. Respectez les instructions simples facilitant la coupe.
- Si le tronc est soutenu sur toute sa longueur (Fig. 14), il doit être coupé par le dessus (coupe supérieure).
- Si le tronc est soutenu à une seule de ses extrémités (Fig. 15), coupez 1/3 de son diamètre par en dessous.
- (coupe inférieure). Puis terminez en faisant une coupe par le dessus jusqu'à atteindre la première coupe.
- Si le tronc est soutenu à ses deux extrémités (Fig. 16), coupez 1/3 de son diamètre par le dessus (coupe supérieure). Puis terminez la coupe en effectuant une coupe par le dessous pour couper les 2/3 restants jusqu'à atteindre la première coupe.
- Lorsque vous débitez un tronc sur une pente, positionnez-vous toujours en amont sur la pente par rapport au tronc (Fig. 17).
- Pour maintenir un contrôle total lors d'une coupe de part en part, arrêtez d'exercer une pression quand vous approchez de la fin de la coupe sans relâcher votre prise sur les poignées de la tronçonneuse. Veillez à ce que la chaîne n'entre pas en contact avec le sol. Une fois la coupe terminée, attendez l'arrêt complet de la chaîne avant de déplacer la tronçonneuse. Éteignez toujours le moteur avant de vous déplacer d'un arbre à l'autre.

ENTRETIEN

AJOUTER DU LUBRIFIANT DE GUIDE ET DE CHAÎNE

REMARQUE: La tronçonneuse n'est pas remplie d'huile lors de son achat. Il faut impérativement remplir son réservoir d'huile avant de l'utiliser. La chaîne est automatiquement lubrifiée avec l'huile pour chaîne pendant l'utilisation.

1. Posez la tronçonneuse sur le côté avec le bouchon de son réservoir d'huile vers le haut.
2. Nettoyez le bouchon et toute la zone autour de lui, puis tournez-le dans le sens antihoraire pour le retirer (Fig. 18).
3. Versez précautionneusement de l'huile du type préconisé dans le réservoir jusqu'à atteindre le bas du col de filtre.
4. Essayez l'huile en excès et refermez le bouchon.

REMARQUE: Quand l'outil est droit, l'huile doit remplir la fenêtre d'observation. Quand l'huile n'est plus visible par la fenêtre d'observation, cessez immédiatement l'utilisation et rajoutez de l'huile.

NETTOYAGE

- Après chaque utilisation, enlevez les débris de la chaîne et du guide avec une brosse souple. Essayez la surface de la tronçonneuse avec un chiffon propre humidifié avec de l'eau et du savon doux.
- Retirez le capot latéral, puis enlevez les débris du guide, de la chaîne, du pignon d'entraînement et du capot latéral avec une brosse souple.
- Enlevez tous les copeaux de bois, les sciures et les saletés du rail du guide quand vous changez la chaîne.

ENTRETIEN DU GUIDE-CHAÎNE

Lorsque le guide-chaîne présente des signes d'usure, démontez-le de l'unité moteur de la tronçonneuse, retournez-le et remontez-le (Fig. 19) de façon à répartir l'usure pour une durée de vie maximale.

Le guide doit être nettoyé chaque jour d'utilisation et inspecté pour contrôler son usure et sa détérioration. L'apparition de bavures et l'amincissement du guide font partie du processus normal d'usure du guide. Ces défauts doivent être lissés avec une lime dès leur apparition. Un guide présentant l'un des défauts suivants doit être changé.

- Usure interne du rail du guide permettant à la chaîne de se coucher sur le côté.
- Guide tordu.
- Rail fissuré ou cassé.
- Rail élargi.

De plus, le nez du guide comporte un pignon de renvoi (Fig. 20-1). Le pignon doit être lubrifié toutes les semaines avec une seringue à graisse pour prolonger la durée de vie du guide (Fig. 21). Au moyen de la seringue, injectez l'huile de la chaîne dans le trou de lubrification, une fois par semaine (Fig. 20-2). Retournez le guide et vérifiez que les trous de lubrification et le rail sont exempts de saletés.

ENTRETIEN DE LA CHAÎNE

N'utilisez que des chaînes à faible rebond avec cette scie. Cette chaîne à coupe rapide permet de réduire les rebonds quand elle est correctement entretenue.

Une chaîne correctement affûtée coupe le bois sans effort, même en appuyant très faiblement. N'utilisez jamais de chaîne émoussée ou endommagée. Si la chaîne est émoussée, cela accroît la fatigue physique, les vibrations, engendre des résultats de coupe non satisfaisants et accroît l'usure.

Pour que les coupes soient rapides et fluides, la chaîne doit être correctement entretenue. La chaîne doit être affûtée quand les copeaux de bois sont petits et poudreux, quand la chaîne doit être forcée dans le bois pendant la coupe ou quand elle ne coupe que d'un côté. Pendant l'entretien de votre chaîne, prenez en compte les points suivants :

- Si l'angle d'affûtage par rapport à la platine latérale est incorrect, cela accroît le risque d'un rebond puissant.
- Réglage du guide (ou limiteur) de profondeur Si le retrait des limiteurs de profondeur est trop bas, cela augmente le risque de rebond. S'il n'est pas assez bas, cela réduit la capacité de coupe.
- Si les tranchants des gouges percutent des objets durs, par exemple des clous ou des pierres, ou s'ils ont été abrasés par de la boue ou du sable présent sur le bois, faites affûter la chaîne par un réparateur qualifié.

TRANSPORT ET RANGEMENT

- Ne rangez pas et ne transportez pas la tronçonneuse quand elle est en marche. Retirez toujours la batterie de l'outil avant de ranger ou de transporter l'outil.
- Recouvrez toujours le guide et la chaîne avec le protège-guide avant de ranger ou de transporter la tronçonneuse. Faites attention pour éviter qu'il ne soit endommagé par les gouges de la chaîne.
- Nettoyez soigneusement la tronçonneuse avant de la ranger. Rangez la tronçonneuse en intérieur, dans un endroit sec qui est verrouillé et/ou hors de portée des enfants.
- Veillez à ce qu'il reste éloigné des produits corrosifs, par exemple les produits chimiques de jardinage et les sels de déverglaçage.

Protection de l'environnement



DEEE (déchets d'équipements électriques et électroniques)

Ne jetez pas les équipements électriques, les batteries usées et les chargeurs avec les ordures ménagères ! Apportez ce produit chez un recycleur agréé et rendez-le disponible pour une collecte séparée. Les outils électriques doivent être amenés dans un centre de recyclage pour assurer un respect de l'environnement.

DÉPANNAGE

FR

PROBLÈME	CAUSE	SOLUTION
Le moteur ne fonctionne pas.	<ul style="list-style-type: none"> ■ La batterie n'est pas insérée dans la tronçonneuse. ■ Il n'y a pas de contact électrique entre la tronçonneuse et la batterie. ■ La batterie est déchargée. ■ La batterie ou la tronçonneuse est trop chaude. ■ Le frein de chaîne est engagé. ■ Il y a des débris dans le rail du guide. ■ Il y a des débris dans le capot latéral. 	<ul style="list-style-type: none"> ■ Insérez la batterie dans la tronçonneuse. ■ Retirez la batterie, inspectez les contacts, puis réinsérez la batterie. ■ Rechargez la batterie. ■ Laissez la batterie ou la tronçonneuse refroidir jusqu'à ce que sa température devienne inférieure à 67 °C. ■ Tirez la poignée de frein de chaîne en arrière vers la poignée avant jusqu'à la position de travail. ■ Appuyez la chaîne contre le bois et déplacez la tronçonneuse d'avant en arrière pour enlever les débris. ■ Retirez la batterie, puis retirez le capot latéral et enlevez les débris.
La tronçonneuse s'arrête en cours de fonctionnement.	<ul style="list-style-type: none"> ■ Le moteur est en surcharge. ■ La batterie ou la tronçonneuse est trop chaude. ■ La chaîne est coincée dans le bois. 	<ul style="list-style-type: none"> ■ Diminuez la charge. ■ Diminuez la charge. Laissez la batterie ou la tronçonneuse refroidir jusqu'à ce que sa température devienne inférieure à 67 °C. ■ Relâchez l'interrupteur-gâchette, retirez la chaîne et le guide hors du bois, puis redémarrez la tronçonneuse.
Le moteur fonctionne, mais la chaîne ne tourne pas.	<ul style="list-style-type: none"> ■ La chaîne n'est pas engagée dans le pignon d'entraînement. ■ Des débris empêchent le mouvement complet de la poignée du frein de chaîne anti-rebond. ■ Dysfonctionnement possible du frein de chaîne. 	<ul style="list-style-type: none"> ■ Réinstallez la chaîne et veillez à ce que ses maillons d'entraînement soient complètement engagés sur le pignon. ■ Des débris empêchent le mouvement complet de la poignée du frein de chaîne anti-rebond. ■ Contactez le service client EGO pour la réparation.

PROBLÈME	CAUSE	SOLUTION
La tronçonneuse ne coupe pas bien.	<ul style="list-style-type: none"> ■ La chaîne n'est pas assez tendue. ■ La chaîne est émoussée. ■ La chaîne a été assemblée à l'envers. ■ La chaîne est usée. ■ La chaîne est sèche ou excessivement tendue. 	<ul style="list-style-type: none"> ■ Desserrez d'abord le bouton de réglage rapide de la tension de la chaîne d'au moins deux tours dans le sens antihoraire puis resserrez-le entièrement dans le sens horaire jusqu'à ce que la chaîne soit tendue de façon adéquate. ■ Affûtez les gouges de la chaîne en respectant les consignes de la partie « COMMENT AFFÛTER LES GOUGES ». ■ Réassemblez la chaîne en procédant comme indiqué dans la partie « ASSEMBLER/REEMPLACER LE GUIDE ET LA CHAÎNE ». ■ Remplacez la chaîne en procédant comme indiqué dans la partie « ASSEMBLER/REEMPLACER LE GUIDE ET LA CHAÎNE ». ■ Contrôlez le niveau d'huile dans le réservoir. Remplissez le réservoir d'huile si nécessaire.
La chaîne ne reste pas sur le guide-chaîne.	<ul style="list-style-type: none"> ■ La chaîne n'est pas assez tendue. ■ La chaîne n'est pas engagée dans le pignon d'entraînement. 	<ul style="list-style-type: none"> ■ Desserrez d'abord le bouton de réglage rapide de la tension de la chaîne d'au moins deux tours dans le sens antihoraire puis resserrez-le entièrement dans le sens horaire jusqu'à ce que la chaîne soit tendue de façon adéquate. ■ Réinstallez la chaîne en procédant comme indiqué dans la partie « ASSEMBLER/REEMPLACER LE GUIDE ET LA CHAÎNE » et veillez à ce que ses maillons d'entraînement soient complètement engagés sur le pignon.
La chaîne et le guide chauffent et fument.	<ul style="list-style-type: none"> ■ Le réservoir d'huile de chaîne est vide. ■ Il y a des débris dans le rail du guide. 	<ul style="list-style-type: none"> ■ Ajoutez du lubrifiant de guide et de chaîne. ■ Enlevez les débris du rail du guide.

GARANTIE

POLITIQUE DE GARANTIE EGO

Visitez le site Web egopowerplus.com pour consulter les conditions complètes de la politique de garantie EGO.

¡LEA TODAS LAS INSTRUCCIONES!



LEA EL MANUAL DEL USUARIO

⚠ ¡Riesgo residual! Las personas con implantes electrónicos, como marcapasos, deberán consultar a su médico antes de utilizar este producto. La utilización de equipos eléctricos en las proximidades inmediatas de un marcapasos podría causar en este interferencias o averías.

SÍMBOLO DE SEGURIDAD

El propósito de los símbolos de seguridad es atraer su atención hacia posibles peligros. Los símbolos de seguridad y las explicaciones que los acompañan requieren su máxima atención y comprensión. Por sí solos, los símbolos de advertencia no eliminan los posibles peligros.

SÍMBOLOS DE SEGURIDAD



Aviso de seguridad



Utilizar protección ocular



Utilizar protección para la cabeza



Espada



Retroceso por contacto de la punta de la espada



No exponga el aparato a la lluvia.



Los productos eléctricos no deben eliminarse con la basura doméstica. Líévelos a un centro de reciclaje autorizado.

V

Voltios



Corriente continua



Para reducir el riesgo de lesiones, el usuario debe leer y comprender el manual del usuario antes de utilizar este producto.



Utilizar protección auditiva



Utilizar guantes de protección



No utilice la motosierra con una sola mano



Utilice la motosierra siempre con las dos manos



Tenga cuidado con el efecto de retroceso de la motosierra y evite el contacto con la punta de la espada



Ruido

min⁻¹

Revoluciones por minuto



CE

Las instrucciones y advertencias que proporcionan no sustituyen a las medidas adecuadas de prevención de accidentes.

⚠ ADVERTENCIA: Antes de utilizar esta herramienta, asegúrese de haber leído y entendido perfectamente todas las instrucciones incluidas en este Manual del usuario, incluidos todos los símbolos de aviso sobre seguridad, tales como "PELIGRO", "ADVERTENCIA" y "PRECAUCIÓN".


Si no se observan todas las instrucciones que se indican a continuación existe riesgo de incendio, electrocución, así como de lesiones graves.

SIGNIFICADO DE LOS SÍMBOLOS

Esta página muestra y describe los símbolos de seguridad que puede haber en este producto. Asegúrese de leer, comprender y cumplir todas las instrucciones que se indican en la máquina antes de proceder a su montaje y utilización.

ES

ESPECIFICACIONES

Tensión	56 V 	
Temperatura de funcionamiento recomendada:	-15°C-40°C	
Temperatura de almacenamiento recomendada:	-20°C-70°C	
Temperatura ambiente óptima de recarga	5 °C-40 °C	
Velocidad de la cadena	20 m/s	
Paso de cadena	9,5 mm	
Calibre de la cadena	1,3 mm	
Tipo de cadena de la motosierra	91PX062X 90PX056X 90PX052X	
Tipo de espada	180SDEA041 164MLEA041 144MLEA041	
Capacidad del depósito de aceite de la cadena	200 ml	
Peso (sin batería ni protector de espada)	4,4kg	
Medición del nivel de potencia acústica L_{WA}	103,53 dB(A) K=1,17 dB(A)	
Nivel de presión acústica medido a la altura del oído del usuario L_{PA}	92,53 dB(A) K=3,0 dB(A)	
Nivel de potencia acústica garantizado L_{WA} (de acuerdo con la directiva 2000/14/CE)	105 dB(A)	
Nivel de vibraciones a_h	Empuñadura delantera	5,158 m/s ² K=1,5 m/s ²
	Empuñadura trasera	5,537 m/s ² K=1,5 m/s ²

- El valor de vibración total ha sido medido de acuerdo con el método de prueba estándar y se puede utilizar para comparar herramientas.
- El valor total de vibración declarado se puede usar además en una evaluación preliminar del grado de exposición.

AVISO: Las vibraciones generadas durante el uso real de la herramienta eléctrica pueden diferir del valor declarado en función de la manera en que se utilice. Como protección, el usuario debería utilizar guantes y protectores auditivos en condiciones reales de uso.

DESCRIPCIÓN

FAMILIARÍCESE CON SU MOTOSIERRA (fig. 1)

1. Orificio de lubricación
2. Espada
3. Cadena de la sierra
4. Tapón del depósito de aceite
5. Palanca del freno de cadena/guarda de protección de mano
6. Empuñadura delantera
7. Botón de liberación de la batería
8. Botón de desbloqueo
9. Gatillo interruptor para la velocidad variable
10. Contactos eléctricos
11. Mecanismo de expulsión
12. Mirilla de nivel de aceite
13. Empuñadura trasera
14. Botón LED
15. Faros tipo LED
16. Espigas del parachoques
17. Mando de ajuste rápido de la tensión de la cadena
18. Tapa lateral
19. Funda de la espada

LISTA DEL CONTENIDO

NOMBRE DE LA PIEZA	CANTIDAD
Cabezal de la motosierra	1
Cadena	1
Espada	1
Protector de espada	1
Manual del usuario	1

MONTAJE

MONTAJE Y SUSTITUCIÓN DE LA ESPADA Y LA CADENA

⚠ ADVERTENCIA: Antes del montaje, ajuste el mango del freno de retroceso de la cadena a la posición de frenado.

1. Ponga de lado el cabezal de la motosierra, con la tapa lateral hacia arriba (fig. 2).
2. Quite la tapa lateral girando en sentido antihorario el mando de ajuste rápido de la tensión de la cadena.
3. Coloque la nueva cadena cerrada de motosierra sobre una superficie plana y enderece cualquier doblez.
4. Coloque los eslabones de arrastre de la cadena en el carril de la espada, y haga un bucle con la cadena en la parte trasera de la espada (fig. 3).

3-1	Eslabones de arrastre de la cadena
3-2	Carril de la espada

- Sujete la cadena en su sitio en la espada y pase el bucle alrededor del piñón de arrastre del cabezal de la motosierra (fig. 4).

AVISO: Hay unas flechitas de dirección grabadas en la cadena y en el cabezal. Cuando pase el bucle de la cadena sobre la espada, asegúrese de que la dirección de las flechas grabadas en la cadena coincide con la indicada por la flecha en el cabezal de la motosierra.

- Vuelva a colocar la tapa lateral y apriete completamente el mando de ajuste rápido de la tensión de la cadena. El engranaje excéntrico en el interior de la tapa lateral está diseñado para asegurar que la cadena no esté demasiado tensa.
- Ajuste la palanca del freno de cadena/guarda de protección de mano a la posición de funcionamiento y, a continuación, gire la cadena con la mano para comprobar si está montada correctamente y no esté trabada. De lo contrario, vuelva a montar la cadena y la espada.

AVISO: Hay una placa de ajuste conectada a la espada con un tornillo. Si fuese necesario cambiar la espada, desmonte la placa de ajuste de la espada y vuelva a montarla en la nueva espada como se muestra en la fig. 5

FUNCIONAMIENTO

UTILIZACIÓN

Podrá utilizar este producto para operaciones básicas de la tala, desrame, poda, corte de leña y árboles.

AVISO: La herramienta debe utilizarse únicamente para el fin previsto. Cualquier otro uso se considerará uso indebido.

INSTALAR/QUITAR LA BATERÍA

Cargue totalmente la batería antes de usarla por primera vez.

Utilice únicamente los modelos de baterías y cargadores de EGO indicados a continuación:

BATERÍA	CARGADOR
BA1120E, BA2240E, BA1400, BA2800, BA3360, BA4200, BA1400T, BA2800T, BA4200T, BA5600T	CH2100E, CH5500E

Instalación

Alinee las nervaduras de la batería con las ranuras de montaje, e introduzca la batería presionándola hacia abajo hasta oír un "clic" (fig. 6).

Retirada

Pulse el botón de liberación de la batería y saque el pack de la batería (fig. 7).

FAROS TIPO LED

El faro tipo LED (fig. 1-15) se encuentra en la parte delantera del cabezal de la motosierra. Esta función proporciona más luz para aumentar la visibilidad y se puede ajustar a 2 niveles de brillo.

Para encender los faros, pulse una vez el botón LED (fig. 1-14). Los faros proporcionan una luz intensa que ilumina la zona situada delante de la motosierra. Pulse el botón LED por segunda vez y aumentará la luminosidad de los faros.

Para apagar los faros, pulse por tercera vez el botón LED.

PUESTA EN MARCHA/PARADA DE LA MOTOSIERRA

Antes de poner en marcha la motosierra

AVISO: Antes de poner en marcha la motosierra, compruebe el ajuste rápido de la tensión de la cadena y el nivel de aceite, el afilado de los dientes de la cadena y el funcionamiento del freno de cadena/guarda de protección de mano. Además, debe mantener un buen equilibrio de los pies y una distancia al suelo adecuada.

Puesta en marcha

- Tire de la palanca del freno de cadena/guarda de protección de mano hacia la empuñadura delantera hasta la posición de funcionamiento.
- Sujete firmemente las empuñaduras delantera y trasera con ambas manos.
- Mantenga pulsado el botón de desbloqueo del interruptor y, a continuación, arranque la motosierra apretando el gatillo interruptor para la velocidad variable. La velocidad de la cadena aumentará a medida que aumente la presión sobre el gatillo.
- Suelte el botón de desbloqueo y continúe apretando el gatillo interruptor para seguir utilizando la motosierra de manera continua.

Sujete firmemente las empuñaduras (fig. 8)

- Utilice guantes antideslizantes para un mayor agarre y protección.
- Con la motosierra colocada sobre una superficie firme y plana, sujétela firmemente con ambas manos.
- Sujete siempre la empuñadura delantera con la mano

izquierda y la empuñadura trasera con la derecha.

- Los dedos deberán envolver la empuñadura, con el pulgar replegado debajo de la empuñadura delantera.

⚠ ADVERTENCIA: Nunca sujete la motosierra con las manos colocadas al revés de lo indicado (como si fuera zurdo) ni en cualquier otra postura que pudiera colocar su cuerpo o brazo en la trayectoria de la línea de corte de la cadena (fig. 9).

Postura adecuada para cortar (fig. 10)

- Ambos pies deberán estar bien apoyados en suelo firme, con el peso repartido uniformemente entre ellos.
- El brazo izquierdo deberá estar extendido, con el codo bloqueado en posición. Esta postura contribuirá a contrarrestar las fuerzas generadas por el retroceso.
- Su cuerpo deberá quedar siempre a la izquierda de la línea de corte de la cadena.

OPERACIONES DE CORTE

Corte básico

- Cuando utilice la herramienta por primera vez, practique cortando troncos sobre un caballete o apoyo de sierra.
- Inicie el corte presionando ligeramente la espada contra la madera. Aplique únicamente una ligera presión, dejando que sea la motosierra la que haga el trabajo.
- Mantenga ritmo constante durante el corte, dejando de ejercer presión justo antes de acabar el corte.

⚠ ADVERTENCIA: Si la cadena se detiene porque se queda trabada durante el corte, suelte el gatillo interruptor, y saque la espada y la cadena de la ranura de corte antes de volver a poner en marcha la motosierra.

⚠ ADVERTENCIA: No tire de la cadena con la mano cuando esté bloqueada con serrín.

⚠ ADVERTENCIA: Nunca ponga en marcha la motosierra mientras está en contacto con la madera. Espere siempre a que la motosierra alcance sus revoluciones máximas antes de acercar la cadena a la madera.

TALA DE ÁRBOLES

- Cuando las operaciones de tala y fragmentación se lleven a cabo entre dos o más personas de forma simultánea, la operación de tala deberá efectuarse alejada de la operación de fragmentación, a una distancia equivalente a al menos dos veces la altura del árbol que se está talando. Los árboles no deberán talarse de manera que puedan suponer un peligro para cualquier persona, golpear un cable eléctrico o causar

daños materiales. Si el árbol llegara a tocar cables del tendido eléctrico, deberá avisarse inmediatamente a la empresa de distribución eléctrica.

- Al talar un árbol en terreno inclinado, el usuario de la motosierra deberá situarse en la zona más elevada de la pendiente, ya que el árbol tenderá a rodar o deslizarse cuesta abajo una vez talado.
- Hay que prever una ruta de escape y despejarla en caso necesario antes de empezar a cortar. La ruta de escape deberá prolongarse hacia atrás y en diagonal con respecto a la línea de caída prevista, como se muestra en la fig. 11.

11-1	Dirección de caída
------	--------------------

- Antes de iniciar la tala, tenga en cuenta la inclinación natural del árbol, la ubicación de las ramas más grandes y la dirección del viento, para determinar la manera en que el árbol va a caer.
- Quite la suciedad, las piedras, la corteza suelta, los clavos, grapas y alambres que pueda haber en el árbol.

Corte direccional

Haga el corte direccional hasta una profundidad de 1/3 del diámetro del árbol y perpendicular a la dirección de caída, como se muestra en la Fig. 12. Haga primero el corte direccional horizontal inferior. Esto ayudará a evitar que la cadena o espada se traben en el corte al efectuar el segundo corte.

Corte de tala

- Haga el corte de tala al menos 50 mm más alto que el corte direccional horizontal, como se muestra en la fig. 12-3.

12-1	Dirección de caída	12-3	Corte de tala
12-2	Hendidura	12-4	Bisagra

Mantenga el corte de tala paralelo con respecto al corte direccional horizontal. Haga el corte de tala a una profundidad tal que quede suficiente madera para actuar a modo de bisagra. La madera de la bisagra sujetará el árbol evitando que se tuerza y caiga en la dirección equivocada. No corte a través de la bisagra.

- A medida que el corte de tala se acerca a la bisagra, el árbol deberá iniciar su caída. Si hay alguna posibilidad de que el árbol no vaya a caer en la dirección deseada o pueda inclinarse hacia atrás y trabar la cadena, interrumpa el corte de tala antes de completarlo y utilice cuñas de derribo de madera, plástico o aluminio para abrir el corte y obligar a que el árbol caiga a lo largo de la trayectoria de caída deseada.

- Cuando el árbol comience a caer, retire la motosierra del corte, apague el motor, deposite la motosierra en el suelo y utilice la ruta de escape prevista. Esté atento a las ramas que puedan caer y procure mantener el equilibrio.

Desrame de árboles

El desrame consiste en eliminar las ramas un árbol caído. Cuando lleve a cabo el desrame, deje las ramas inferiores más gruesas, de manera que soporten al tronco y no esté descansando sobre el suelo. Retire las ramas más pequeñas de una sola pasada, tal como se muestra en la fig. 13. Las ramas que están en tensión deberán cortarse desde abajo hacia arriba, para evitar que la motosierra se trabé.

Fragmentación de troncos

- La fragmentación de troncos consiste en cortar un árbol ya derribado en tramos más cortos. Es importante asegurarse de mantener un buen equilibrio y de repartir el peso uniformemente entre ambos pies. Cuando sea posible, deberá elevarse el tronco y apoyarlo sobre ramas, tocones o calzoes. Siga las instrucciones básicas indicadas a continuación para efectuar cortes de manera fácil.
- Cuando el tronco esté apoyado en toda su longitud, como se muestra en la fig. 14, deberá cortarse desde arriba (fragmentación por arriba).
- Cuando el tronco esté apoyado únicamente en un extremo, como se muestra en la fig. 15, corte desde la parte inferior hasta una profundidad de 1/3 de su diámetro
- (fragmentación desde abajo). Finalice efectuando un corte desde arriba hasta alcanzar el primer corte.
- Cuando el tronco esté apoyado en ambos extremos, como se muestra en la fig. 16, corte desde la parte superior (fragmentación por arriba) hasta una profundidad de 1/3 de su diámetro. Finalice efectuando un corte desde abajo hasta una profundidad de 2/3 del diámetro y alcanzar el primer corte.
- Al fragmentar troncos en una pendiente, colóquese siempre en el lado más elevado de esta, como se muestra en la fig. 17.
- Cuando corte a través del tronco, para mantener un control total, relaje la presión de corte cerca del final de corte sin reducir la firmeza de agarre de las empuñaduras de la motosierra. No deje que la cadena llegue a tocar el suelo. Una vez completado el corte, espere a que la cadena se haya detenido antes de mover la motosierra. Apague siempre el motor antes de pasar de un árbol a otro.

MANTENIMIENTO

LLENAR CON LUBRICANTE PARA ESPADA Y CADENA

AVISO: La motosierra no se suministra llena de aceite. Será esencial llenar de aceite el depósito antes de proceder a utilizarla. La cadena se lubrica de forma automática con aceite para cadenas durante el funcionamiento.

1. Coloque la motosierra de lado con el tapón del depósito de aceite hacia arriba.
2. Limpie el tapón y el área que lo rodea, y gírelo en el sentido antihorario para quitarlo (fig. 18).
3. Con cuidado, eche en el depósito aceite diseñado específicamente, hasta llegar a la parte de abajo del cuello del filtro.
4. Limpie con un paño el exceso de aceite y vuelva a poner el tapón.

AVISO: En posición vertical, el aceite debería llenar la mirilla del nivel de aceite. Cuando ya no se vea el aceite en la mirilla, deje de usar la herramienta inmediatamente y rellene el aceite.

LIMPIEZA

- Después de cada uso, limpie cualquier residuo o acumulación de material de la cadena y la espada utilizando un cepillo suave. Limpie la superficie de la motosierra con un paño limpio, humedecido con una solución de agua y detergente suave.
- Quite la tapa lateral y, a continuación, utilice un cepillo suave para eliminar residuos y acumulaciones de material de la espada, la cadena, el piñón y la tapa lateral.
- Limpie siempre el carril de la espada de cualquier acumulación de virutas de madera, serrín y suciedad cuando proceda a sustituir la cadena.

MANTENIMIENTO DE LA ESPADA

Cuando observe signos de desgaste en la espada, desmóntela del cabezal de la motosierra y vuelva a montarla en posición invertida (fig. 19), de modo que el desgaste se reparta y se maximice la vida útil de la espada.

La espada deberá limpiarse tras cada día de utilización y examinarse por si presentase desgaste o daños. Los rebordes o rebabas presentes en el carril de la espada son un proceso normal de desgaste de la espada. Dichas anomalías deberán alisarse con una lima en cuanto se produzcan. Una espada que muestre cualquiera de las siguientes anomalías deberá sustituirse.

- Desgaste en el carril de la espada que permite a la cadena acostarse hacia los lados.
- Espada doblada o deformada.

- Carril con grietas o roturas.
- Carril ensanchado.

Además, la espada tiene un piñón en la punta (fig. 20-1). El piñón deberá lubricarse semanalmente utilizando una jeringa o pistola de engrase para así prolongar la vida útil de la espada (fig. 21). Utilice una jeringa o pistola de engrase para lubricar semanalmente el piñón con aceite para cadenas a través del orificio de lubricación previsto para ello (fig. 20-2). Gire la espada y compruebe que los orificios de lubricación y el carril de la cadena están libres de suciedad.

MANTENIMIENTO DE LA CADENA

Utilice únicamente cadenas de bajo retroceso en esta motosierra. Esta cadena de corte rápido provocará menos retrocesos si se mantiene correctamente.

Una cadena de motosierra correctamente afilada cortará a través de madera sin esfuerzo, incluso ejerciendo una presión mínima. Nunca utilice una cadena embotada o dañada. Unos dientes de corte de cadena embotados requerirán mayor esfuerzo para cortar por parte del usuario, además de generar más vibraciones y proporcionar unos resultados de corte poco satisfactorios, y serán más propensos a sufrir desgaste.

Para poder cortar con suavidad y rapidez, la cadena deberá mantenerse como es debido. Será necesario afilar la cadena cuando las virutas de madera producidas sean pequeñas y de una consistencia polvorienta, cuando sea necesario un gran esfuerzo para que la cadena penetre a través de la madera durante el corte, o si la cadena corta hacia un lado. A llevar a cabo el mantenimiento de la cadena, tenga en cuenta lo siguiente:

- Un ángulo de afilado incorrecto de las placas laterales de los dientes podrá aumentar los riesgos de fuerte retroceso.
- Altura del limitador de profundidad. Si es demasiado baja, aumentará la posibilidad de retroceso. Si no es lo bastante baja, disminuirá la capacidad de corte.
- Si los dientes de corte han golpeado objetos duros, como clavos y piedras, o bien han sufrido desgaste debido a fricción con lodo o arena en la madera, confíe el afilado de la cadena a personal técnico cualificado.

TRANSPORTE Y ALMACENAMIENTO

- No almacene ni transporte la motosierra mientras está funcionando. Quite siempre la batería antes de guardar o transportar la herramienta.
- Coloque siempre el protector de espada en la cadena y la espada antes de guardar o transportar la motosierra. Tenga cuidado para evitar cortarse con los dientes afilados de la cadena.

- Limpie a fondo la motosierra antes de guardarla. Guarde la motosierra en interiores, en un lugar seco, cerrado bajo llave o inaccesible para los niños.
- Manténgala apartada de agentes corrosivos, como productos químicos de jardinería y sal para deshielo.

Protección del medio ambiente



RAEE (Residuos de Aparatos Eléctricos y Electrónicos)

¡No elimine aparatos eléctricos, baterías usadas ni cargadores de baterías junto con los desperdicios domésticos! Lleve este producto a un punto de reciclaje autorizado y deposítelo por separado según corresponda. Las herramientas eléctricas se deben llevar a un punto de reciclaje con fin de proteger el medio ambiente.

SOLUCIÓN DE PROBLEMAS

ES

PROBLEMA	CAUSA	SOLUCIÓN
El motor no arranca.	<ul style="list-style-type: none"> ■ La batería no está insertada correctamente en la motosierra. ■ No hay contacto eléctrico entre la batería y la motosierra. ■ La batería está agotada. ■ La batería o el circuito de la motosierra se han sobrecalentado. ■ Freno de cadena activado. ■ Residuos en el carril de la espada. ■ Residuos acumulados en la tapa lateral. 	<ul style="list-style-type: none"> ■ Inserte la batería correctamente en la motosierra. ■ Quite la batería, compruebe los contactos eléctricos y vuelva a instalarla. ■ Cargue la batería. ■ Espere a que la batería o la motosierra se hayan enfriado lo suficiente hasta que su temperatura sea inferior a 67 °C. ■ Tire hacia atrás de la palanca del freno de cadena/guarda de protección de mano hacia la empuñadura delantera, hasta la posición de funcionamiento. ■ Presione la cadena contra la madera y desplace la motosierra hacia adelante y hacia atrás para descargar los residuos. ■ Quite la batería y, a continuación, desmonte la tapa lateral y limpie los residuos.
la cadena se para durante el funcionamiento.	<ul style="list-style-type: none"> ■ La motosierra se ha sobrecargado. ■ La batería o el circuito de la motosierra se han sobrecalentado. ■ Cadena clavada en la madera. 	<ul style="list-style-type: none"> ■ Reduzca la carga. ■ Reduzca la carga. Espere a que la batería o la motosierra se hayan enfriado lo suficiente hasta que su temperatura sea inferior a 67 °C. ■ Suelte el gatillo interruptor, retire la espada y la cadena del corte en la madera y vuelva a poner en marcha la motosierra.
El motor funciona, pero la cadena no gira.	<ul style="list-style-type: none"> ■ La cadena no está engranada en el piñón de arrastre. ■ Hay una acumulación de residuos que impiden que la palanca del freno de cadena/guarda de protección de mano se desplace completamente. ■ Posible avería del freno de cadena. 	<ul style="list-style-type: none"> ■ Vuelva a instalar la cadena, asegurándose de que los eslabones de arrastre de la cadena han engranado en los dientes del piñón. ■ Hay una acumulación de residuos que impiden que la palanca del freno de cadena/guarda de protección de mano se desplace completamente. ■ Póngase en contacto con el departamento de atención al cliente de EGO para solicitar una reparación.

PROBLEMA	CAUSA	SOLUCIÓN
La motosierra no corta correctamente.	<ul style="list-style-type: none"> ■ Cadena destensada. ■ Cadena embotada. ■ Cadena instalada al revés. ■ Cadena desgastada. ■ Cadena seca o excesivamente estirada. 	<ul style="list-style-type: none"> ■ Afloje el mando de ajuste rápido de la tensión de la cadena como mínimo dos vueltas en sentido antihorario y, a continuación, apriételo completamente en sentido horario hasta que la cadena esté bien tensada. ■ Afíle los dientes de corte de la cadena según se indica en el apartado «AFILADO DE LOS DIENTES DE CORTE» ■ Vuelva a instalar la cadena de la sierra, siguiendo el apartado «MONTAJE/SUSTITUCIÓN DE LA ESPADA Y LA CADENA». ■ Cambie la cadena, siguiendo el apartado «MONTAJE/SUSTITUCIÓN DE LA ESPADA Y LA CADENA». ■ Compruebe el nivel de aceite en el depósito. Si es necesario, rellene el depósito de aceite.
La cadena se sale de la espada.	<ul style="list-style-type: none"> ■ Cadena destensada. ■ La cadena no está engranada en el piñón de arrastre. 	<ul style="list-style-type: none"> ■ Afloje el mando de ajuste rápido de la tensión de la cadena como mínimo dos vueltas en sentido antihorario y, a continuación, apriételo completamente en sentido horario hasta que la cadena esté bien tensada. ■ Vuelva a instalar la cadena siguiendo el apartado «MONTAJE/SUSTITUCIÓN DE LA ESPADA Y LA CADENA», asegurándose de que los eslabones de arrastre de la cadena hayan engranado en los dientes del piñón.
La espada y la cadena se calientan y emana humo.	<ul style="list-style-type: none"> ■ El depósito de aceite de cadena está vacío. ■ Residuos en el carril de la espada. 	<ul style="list-style-type: none"> ■ Rellene el depósito de lubricante para espada y cadena. ■ Elimine los residuos del carril.

GARANTÍA

POLÍTICA DE GARANTÍA DE EGO

Visite la página web egopowerplus.com para conocer los términos y condiciones completos de la política de garantía de EGO.

LEIA TODAS AS INSTRUÇÕES!



LEIA O MANUAL DE INSTRUÇÕES

⚠ Risco residual! As pessoas com dispositivos eletrônicos, como pacemakers, deverão consultar o seu médico antes de utilizarem este produto. A utilização de equipamento elétrico perto de um pacemaker pode causar interferências ou falhas no pacemaker.

SÍMBOLO DE SEGURANÇA

O objetivo dos símbolos de segurança é chamar a atenção para possíveis perigos. Os símbolos de segurança e as respectivas explicações apresentadas requerem a sua atenção e compreensão. Os avisos de segurança, só por si,

não eliminam o perigo. As instruções e avisos dados não são substitutos para medidas de prevenção adequadas a acidentes.

⚠ AVISO: Certifique-se de que lê e compreende todos os avisos de segurança neste manual do utilizador, incluindo todos os símbolos de alerta de segurança, como "PERIGO", "AVISO" e "CUIDADO" antes de usar esta ferramenta. O não cumprimento de todas as instruções apresentadas abaixo pode resultar em choque elétrico, incêndio e/ou lesões pessoais graves.

PT

SIGNIFICADO DOS SÍMBOLOS

Esta página retrata e descreve os símbolos de segurança que podem aparecer neste produto. Leia, compreenda e siga todas as instruções na máquina antes de tentar montar e utilizar.

SÍMBOLOS DE SEGURANÇA



Alerta de segurança



Utilize proteção ocular.



Use proteção para a cabeça.



Barra de orientação



Ressalto da ponta da barra de orientação



Não exponha à chuva.



Os resíduos elétricos não deverão ser eliminados juntamente com o lixo doméstico comum. Entregue-os num centro de reciclagem autorizado.

V

Volts



Corrente direta



Para reduzir o risco de lesões, o utilizador tem de ler e compreender o manual do utilizador antes de utilizar este produto.



Utilize proteção auditiva.



Use luvas de proteção.



Não use a motosserra com uma mão



Use sempre a motosserra com as duas mãos



Tenha cuidado com os ressalto da motosserra e evite o contacto com a ponta da barra



Ruído


min⁻¹

Rotações por minuto



CE

CARACTERÍSTICAS TÉCNICAS

Voltagem	56 V 	
Temperatura de funcionamento recomendada:	-15°C-40°C	
Temperatura de armazenamento recomendada:	-20°C-70°C	
Temperatura de carregamento ótima	5 °C-40 °C	
Velocidade da corrente	20 m/s	
Engate da serra	9,5 mm	
Extremidade da corrente	1,3 mm	
Tipo de corrente da serra	91PX062X 90PX056X 90PX052X	
Tipo de barra de orientação	180SDEA041 164MLEA041 144MLEA041	
Capacidade do depósito do óleo da corrente	200 ml	
Peso (sem a bateria e baihna da corrente)	4,4kg	
Nível de potência do som medido L_{WA}	103,53 dB(A) K=1,17 dB(A)	
Nível da pressão do som no ouvido do operador L_{PA}	92,53 dB(A) K=3,0 dB(A)	
Nível de potência do som garantido L_{WA} (de acordo com a norma 2000/14/CE)	105 dB(A)	
Vibração a_h	Pega dianteira	5,158 m/s ² K=1,5 m/s ²
	Pega traseira	5,537 m/s ² K=1,5 m/s ²

- O valor total declarado da vibração foi medido de acordo com um método de teste padrão e pode ser usado para comparar duas ferramentas;
- O valor total declarado da vibração também pode ser usado numa avaliação preliminar da exposição.

AVISO: A emissão de vibrações durante a utilização da ferramenta elétrica pode diferir do valor declarado em que a ferramenta é usada. De modo a proteger o utilizador, este deverá usar luvas e proteção auditiva nas condições atuais de utilização.

DESCRIÇÃO

CONHEÇA A SUA MOTOSSERRA (Imagem 1)

1. Orifício de lubrificação
2. Barra de orientação
3. Corrente da serra
4. Tampa do depósito do óleo
5. Pega do travão do ressalto da corrente
6. Pega dianteira
7. Botão de libertação da bateria
8. Botão de desbloqueio
9. Interruptor do gatilho de velocidade variável
10. Contactos elétricos
11. Mecanismo de ejeção
12. Janela de inspeção do óleo
13. Pega traseira
14. Botão LED
15. Luzes LED
16. Espigões de corte
17. Manípulo de ajuste rápido da tensão da corrente
18. Cobertura lateral
19. Bainha da corrente

LISTA DE PEÇAS

NOME DA PEÇA	QUANTIDADE
Cabeça da alimentação da motosserra	1
Corrente da serra	1
Barra de orientação	1
Bainha da corrente	1
Manual do utilizador	1

MONTAGEM

MONTAR/SUBSTITUIR A BARRA E A CORRENTE

AVISO: Ajuste a pega do travão de ressalto da corrente para a posição de travagem antes da montagem.

1. Posicione a cabeça de alimentação da motosserra de lado com a cobertura lateral virada para cima (Imagem 2).
2. Retire a cobertura lateral rodando o manípulo de ajuste

rápido da tensão da corrente no sentido inverso ao dos ponteiros do relógio.

3. Coloque a nova corrente da serra num arco numa superfície plana e endireite quaisquer dobras.
4. Coloque os elos condutores da corrente na ranhura da barra de orientação e coloque a corrente em arco na traseira da barra de orientação (Imagem 3).

3-1	Elos condutores da corrente
3-2	Ranhura da barra de orientação

5. Segure a corrente em posição na barra de orientação e coloque o arco à volta da roda dentada da cabeça de alimentação (Imagem 4).

AVISO: Existem pequenas setas direcionais gravadas na corrente da serra e na cabeça de alimentação. Quando passar a corrente da serra na barra de orientação, certifique-se de que a direção das setas na corrente da serra corresponde à direção da seta na cabeça de alimentação.

6. Volte a colocar a cobertura lateral e aperte por completo o manípulo de ajuste rápido da tensão da corrente. O carreto excêntrico no interior da cobertura lateral foi criado para garantir que a corrente não fica com excesso de tensão.
7. Ajuste a pega do travão de ressaltos da corrente na posição de funcionamento e rode a corrente com a mão para se certificar de que a corrente fica devidamente montada e sem vincos. Caso contrário, volte a montar a corrente e a barra.

AVISO: Existe uma placa de ajuste ligada à barra de orientação com um parafuso. Se a barra de orientação tiver de ser substituída, desmonte a placa de ajuste da barra de orientação e volte a montar na nova barra de orientação, conforme apresentado na Imagem 5.

FUNCIONAMENTO

APLICAÇÃO

Pode utilizar este produto para um abate, corte, poda e o serrar de madeira e árvores.

AVISO: A ferramenta só deve ser utilizada para o fim a que se destina. Qualquer outra utilização será considerada má utilização.

FIXAR/RETIRAR A BATERIA

Carregue por completo antes da primeira utilização. Utilize apenas com baterias e carregadores da EGO listados em baixo:

BATERIA	CARREGADOR
BA1120E, BA2240E, BA1400, BA2800, BA3360, BA4200, BA1400T, BA2800T, BA4200T, BA5600T	CH2100E, CH5500E

Para fixar

Alinhe as abas da bateria com as ranhuras de fixação e empurre a bateria para baixo até ouvir um "clique" (Imagem 6).

Para retirar

Prima o botão de libertação da bateria e puxe a bateria para fora (Imagem 7).

LUZES LED

A luz LED (Imagem 1-15) encontra-se na frente da cabeça da alimentação da motosserra. Esta característica fornece uma luz extra para aumentar a visibilidade, e pode ser ajustada para 2 níveis de luminosidade.

Para ligar as luzes, prima o botão LED (Imagem 1-14). As luzes fornecem uma luz brilhante à frente da motosserra. Prima o botão LED uma segunda vez e as luzes brilham ainda mais.

Para desligar as luzes, prima o botão LED uma terceira vez.

LIGAR/DESLIGAR A MOTOSSERRA

Antes de ligar a motosserra

AVISO: Antes de ligar a motosserra, verifique o ajuste rápido da tensão da corrente e o nível do óleo, se os dentes da serra estão afiados e se a pega do travão de ressalto está a funcionar corretamente. Adicionalmente, é necessário manter a distância correta do solo e uma base estável.

Para ligar

1. Puxe a pega do travão do ressalto da corrente na direção da pega dianteira para a posição de funcionamento.
2. Segure firmemente as pegas dianteira e traseira usando ambas as mãos.
3. Prima e mantenha premido o botão de desbloqueio e, de seguida, aperte o gatilho da velocidade variável para ligar a motosserra. A velocidade da corrente aumenta com o aumento da pressão no gatilho da velocidade variável.
4. Liberte o botão de desbloqueio e continue a premir o gatilho da velocidade variável para uma utilização prolongada.

Forma correta de segurar as pegas (Imagem 8)

- Utilize luvas antiderrapantes para obter a máxima aderência e proteção.

- Com a serra numa superfície firme e plana, segure firmemente a serra com ambas as mãos.
- Segure sempre a pega dianteira com a mão esquerda e a pega traseira com a mão direita.
- Os dedos deverão rodear a pega, com o polegar por baixo da pega dianteira.

⚠ AVISO: Nunca utilize uma pega para canhotos (mãos cruzadas) nem nunca coloque o seu corpo ou braço através da linha da corrente (Imagem 9).

Postura adequada de corte (Imagem 10)

- Ambos os pés deverão estar em chão sólido, com o peso dividido uniformemente entre eles.
- O braço esquerdo deverá estar esticado, com o cotovelo apertado. Isto ajuda a aguentar as forças geradas pelo ressalto.
- O seu corpo deverá estar sempre do lado esquerdo da linha da corrente.

CORTAR

Corte simples

- Os utilizadores com pouca experiência devem praticar o corte de troncos num cavalete ou suporte.
- Comece a cortar premindo ligeiramente a barra de orientação contra a madeira. Faça apenas uma ligeira pressão, deixando a serra fazer o trabalho.
- Mantenha uma velocidade estável ao longo do corte, libertando a pressão antes do final do corte.

⚠ AVISO: Quando a corrente da serra parar por ter ficado presa durante o corte, deixe de premir o interruptor do gatilho. Retire a corrente da serra e a barra de orientação da madeira e volte a ligar a motosserra.

⚠ AVISO: Não puxe a corrente da serra com a mão quando estiver presa pela serradura.

⚠ AVISO: Nunca ligue a motosserra quando estiver em contacto com a madeira. Deixe a motosserra atingir a velocidade máxima antes de entrar em contacto com a madeira.

ABATE DE UMA ÁRVORE

- Quando operações de corte e abate estão a ser desempenhadas por duas ou mais pessoas ao mesmo tempo, a operação de abate deve ser separada da operação de corte por uma distância de pelo menos o dobro da altura da árvore para abate. As árvores não devem ser abatidas de um modo que possa colocar em perigo qualquer pessoa, embater em qualquer linha de fornecimento ou provocar danos a propriedade. Se a árvore entrar em contacto com linhas de fornecimento,

a empresa de fornecimento deverá ser notificada imediatamente.

- O operador da motosserra deverá manter-se do lado superior do terreno, pois é provável que a árvore role pela colina abaixo mal seja cortada.
- Um caminho de fuga deve ser planeado e desimpedido conforme necessário antes de começar os cortes. O caminho de fuga deverá estender-se para trás e na diagonal para trás da linha esperada do abate, conforme apresentado na Imagem 11.

11-1	Direção da queda
------	------------------

- Antes de iniciar o abate, considere a inclinação natural da árvore, a localização dos ramos de maior dimensão e a direção do vento para avaliar de que forma a árvore vai cair.
- Retire detritos, pedras, casca solta, pregos, agrafos e fio da árvore.

Corte de entalhe inferior

Faça o entalhe 1/3 do diâmetro da árvore, perpendicular à direção da queda, conforme ilustrado na Imagem 12. Faça o corte de entalhe inferior horizontal primeiro. Isto ajuda a evitar que a corrente da serra ou a barra de orientação fiquem presas quando efetuar o segundo entalhe.

Corte traseiro de abate

- Faça o corte traseiro de abate a, pelo menos, 50 mm acima do corte de entalhe horizontal, conforme apresentado na Imagem 12-3.

12-1	Direção da queda	12-3	Corte traseiro de abate
12-2	Entalhe	12-4	Articulação

Mantenha o corte traseiro de abate paralelo ao corte de entalhe horizontal. Faça o corte traseiro de queda de modo a deixar madeira suficiente para agir como articulação. A madeira da articulação impede que a árvore se torça e caia na direção errada. Não corte através da articulação.

- À medida que o abate se aproxima da articulação a árvore deve começar a cair. Se houver a possibilidade de a árvore não cair na direção desejada ou oscilar para trás e prender a motosserra, pare o corte antes de terminar o corte traseiro de queda e utilize calços de madeira, plástico ou alumínio para abrir o corte e fazer a árvore cair ao longo da linha desejada de queda.
- Quando a árvore começa a cair, retire a motosserra do corte, pare o motor, coloque a motosserra no chão e utilize o caminho de fuga, conforme planeado. Esteja

atento a ramos por cima de si que estejam a cair, e mantenha uma base estável para os pés.

Corte de ramos de uma árvore

Os ramos da árvore abatida deverão ser cortados. Quando cortar os ramos, deixe os ramos inferiores mais grossos para suportar o tronco do chão. Retire os ramos pequenos num corte, conforme apresentado na Imagem 13. Os ramos sob tensão devem ser cortados de cima para baixo para evitar prender a motosserra.

Cortar um tronco

- Um tronco deverá ser cortado em pedaços. É importante certificar-se de que possui um bom apoio para os pés e que o seu peso se encontra bem distribuído em ambos os pés. Quando possível, o tronco deve estar elevado e suportado por ramos, troncos ou cunhas. Siga a direção simples para um corte fácil.
- Quando o tronco for suportado ao longo de todo o seu comprimento, conforme apresentado na Imagem 14, deverá ser cortado a partir do topo (corte superior).
- Quando o tronco for suportado apenas por uma extremidade, conforme apresentado na Imagem 15, corte 1/3 do diâmetro por baixo
- (corte inferior). A seguir, faça o corte final, fazendo o corte superior de encontro ao primeiro corte.
- Quando o tronco for suportado em ambas as extremidades, conforme apresentado na Imagem 16, corte 1/3 do diâmetro por cima (corte superior). A seguir, faça o corte final, fazendo o corte inferior 2/3 de encontro ao primeiro corte.
- Quando cortar um tronco num local inclinado, fique sempre na parte superior do tronco, conforme indicado na Imagem 17.
- Ao cortar completamente, para manter um controlo completo liberte a pressão de corte quando perto da extremidade do corte sem deixar de segurar bem nas pegadas da motosserra. Não permita que a corrente entre em contacto com o chão. Após completar o corte, espere que a corrente da serra pare por completo antes de mover a motosserra. Pare sempre o motor antes de se mover de uma árvore para outra.

MANUTENÇÃO

ADICIONAR LUBRIFICANTE À BARRA E À SERRA

AVISO: A motosserra não vem com óleo na altura da compra. É essencial abastecer o depósito com óleo antes da utilização. A corrente é lubrificada automaticamente com óleo da corrente durante o funcionamento.

1. Posicione a motosserra de lado com a tampa do depósito do óleo virada para cima.
2. Limpe a tampa e a área em volta da mesma e, de seguida, rode-a no sentido inverso ao dos ponteiros do relógio para a retirar (Imagem 18).
3. Verta cuidadosamente o óleo especialmente designado no depósito até este chegar ao fundo do pescoço do filtro.
4. Limpe qualquer óleo em excesso e volte a colocar a tampa.

AVISO: Na posição vertical o óleo deve encher a janela de inspeção. Quando o óleo já não for visível na janela de inspeção pare imediatamente e reabasteça.

LIMPEZA

- Após cada utilização, limpe os resíduos da corrente e barra de orientação com uma escova suave. Limpe a superfície da motosserra com um pano limpo ligeiramente embebido numa solução neutra de sabão.
- Retire a cobertura lateral e depois utilize uma escova suave para retirar os resíduos da barra de orientação, corrente da serra, roda dentada e cobertura lateral.
- Limpe sempre as lascas, serradura e sujidade da ranhura da barra de orientação quando voltar a colocar a corrente da serra.

MANUTENÇÃO DA BARRA DE ORIENTAÇÃO

Quando a barra de orientação apresentar sinais de desgaste, desmonte-a da cabeça da alimentação da motosserra e vire-a para a voltar a montar (Imagem 19). Nesse caso, irá redistribuir o desgaste da barra. Tais falhas deverão ser reparadas com recurso a uma lima, mal aconteçam. Uma barra com qualquer uma das seguintes falhas deverá ser substituída.

A barra deverá ser limpa todos os dias em que for utilizada e verificada quanto a desgaste ou danos. Empenos ou rebarbas das calhas da barra são um processo normal do desgaste da barra. Tais falhas deverão ser reparadas com recurso a uma lima, mal aconteçam. Uma barra com qualquer uma das seguintes falhas deverá ser substituída.

- Desgaste dentro das calhas da barra que permita à corrente ficar virada de lado.
- Barra de orientação dobrada.
- Calhas rachadas ou partidas.
- Calhas separadas.

Além disso, a barra de orientação tem uma roda dentada na ponta (Imagem 20-1). A roda dentada tem de ser lubrificada todas as semanas com uma seringa de lubrificação para aumentar o tempo de vida útil da barra de orientação (Imagem 21). Use uma seringa de lubrificação para lubrificar semanalmente com óleo da corrente através do orifício de lubrificação (Imagem 20-2). Vire a barra de orientação e certifique-se de que os orifícios de lubrificação e a ranhura da corrente não têm impurezas.

MANUTENÇÃO DA CORRENTE

Utilize apenas correntes de ressalto baixo com esta serra. Esta corrente de corte rápido diminui os ressaltos quando devidamente mantida.

Uma corrente devidamente afiada corta madeira sem esforço, mesmo com muito pouca pressão. Nunca utilize uma corrente da serra danificada ou que não esteja afiada. Uma corrente da serra que não esteja afiada leva a um maior esforço físico, aumenta a vibração, produz resultados de corte insatisfatórios e um aumento do desgaste.

Para um corte rápido e suave, a corrente deve ser submetida a uma manutenção correta. A corrente tem de ser afiada quando as lascas de madeira forem cada vez mais pequenas e tiverem pó, quando a corrente tiver de ser forçada para dentro da madeira durante o corte ou se a corrente cortar para um dos lados. Durante a manutenção da serra, tenha em conta o seguinte:

- Um ângulo de limagem incorreto da placa lateral pode aumentar o risco de um ressalto grave.
- Folga do manómetro de profundidade. Demasiado baixo aumenta o potencial de ressalto. Não baixo o suficiente diminui a capacidade de corte.
- Se os dentes de corte atingirem objetos sólidos, como por exemplo pregos e pedras, ou tiverem sofrido abrasão por lama ou areia na madeira, estes devem ser afiados por um técnico de reparação qualificado.

TRANSPORTE E ARMAZENAMENTO

- Não armazene nem transporte a motosserra quando esta se encontra em funcionamento. Retire sempre a bateria antes de guardar ou transportar.
- Coloque sempre a cobertura da barra de orientação na barra de orientação e na corrente antes de guardar ou transportar a motosserra. Tenha cuidado para evitar os dentes afiados da corrente.
- Limpe bem a motosserra antes de a guardar. Guarde a motosserra no interior, num local seco fechado e/ou inacessível às crianças.
- Mantenha-a afastada de agentes corrosivos, como químicos de jardinagem e sais de degelo.

Proteja o ambiente



REEE (Resíduos de Equipamento Elétrico e Eletrónico)

Não elimine equipamento elétrico, bateria gasta nem carregador juntamente com o lixo doméstico comum! Leve este produto a um centro de reciclagem autorizado para que possa haver uma separação das peças. As ferramentas elétricas têm de ser devolvidas em instalações de reciclagem ambientalmente compatíveis.

PT

RESOLUÇÃO DE PROBLEMAS

PROBLEMA	CAUSA	SOLUÇÃO
O motor não liga.	<ul style="list-style-type: none"> ■ A bateria não foi colocada na motosserra. ■ Não existe contacto elétrico entre a motosserra e a bateria. ■ A bateria está gasta. ■ A bateria ou motosserra está muito quente. ■ O travão da corrente está ativado. ■ Existem resíduos na ranhura da barra. ■ Existem resíduos na cobertura lateral. 	<ul style="list-style-type: none"> ■ Fixe a bateria na motosserra. ■ Retire a bateria, verifique os contactos e volte a instalar a bateria. ■ Carregue a bateria. ■ Deixe a bateria ou motosserra arrefecer até que a temperatura atinja menos de 67 °C. ■ Puxe a pega do travão do ressalto da corrente para trás na direção da pega dianteira para a posição de funcionamento. ■ Pressione a corrente da serra contra a madeira, mova-a para a frente e para trás para retirar os resíduos. ■ Retire a bateria, depois retire a cobertura lateral e limpe os resíduos.
A motosserra para de funcionar durante o trabalho.	<ul style="list-style-type: none"> ■ A motosserra está sobrecarregada. ■ A bateria ou motosserra está muito quente. ■ A corrente da serra ficou presa na madeira. 	<ul style="list-style-type: none"> ■ Diminua a carga. ■ Diminua a carga. Deixe a bateria ou motosserra arrefecer até que a temperatura atinja menos de 67 °C. ■ Liberte o interruptor do gatilho. Retire a corrente da serra e a barra de orientação da madeira, depois volte a ligar a motosserra.
O motor funciona, mas a corrente não roda.	<ul style="list-style-type: none"> ■ A corrente não está ligada à roda dentada motriz. ■ Os resíduos impedem o movimento completo da pega do travão do ressalto da corrente. ■ Possível mau funcionamento do travão da corrente. 	<ul style="list-style-type: none"> ■ Volte a instalar a corrente, certificando-se de que os elos condutores na corrente estão completamente assentes na roda dentada. ■ Os resíduos impedem o movimento completo da pega do travão do ressalto da corrente. ■ Contacte o serviço de apoio ao cliente da EGO para proceder à reparação.

PT

PROBLEMA	CAUSA	SOLUÇÃO
A motosserra não corta corretamente.	<ul style="list-style-type: none"> ■ Tensão da corrente insuficiente. ■ A corrente não está afiada. ■ A corrente foi instalada ao contrário. ■ A corrente está gasta. ■ Corrente seca ou excessivamente esticada. 	<ul style="list-style-type: none"> ■ Desaperte o manípulo de ajuste rápido da tensão da corrente pelo menos duas voltas no sentido inverso ao dos ponteiros do relógio e depois aperte por completo no sentido dos ponteiros do relógio até que a corrente fique com a tensão correta. ■ Afie os cortadores da corrente, de acordo com a secção “COMO AFIAR OS CORTADORES”. ■ Volte a colocar a corrente da serra, de acordo com a secção “MONTAR/SUBSTITUIR A BARRA E A CORRENTE”. ■ Substitua a corrente da serra, de acordo com a secção “MONTAR/SUBSTITUIR A BARRA E A CORRENTE”. ■ Verifique o nível do óleo no depósito. Encha o depósito do óleo, se necessário.
A corrente sai da barra de orientação.	<ul style="list-style-type: none"> ■ Tensão da corrente insuficiente. ■ A corrente não está ligada à roda dentada motriz. 	<ul style="list-style-type: none"> ■ Desaperte o manípulo de ajuste rápido da tensão da corrente pelo menos duas voltas no sentido inverso ao dos ponteiros do relógio e depois aperte por completo no sentido dos ponteiros do relógio até que a corrente fique com a tensão correta. ■ Volte a instalar a corrente, de acordo com a secção “MONTAR/SUBSTITUIR A BARRA E A CORRENTE”, certificando-se de que os elos condutores na corrente estão completamente assentes na roda dentada.
A barra e corrente ficam quentes durante o funcionamento e libertam fumos.	<ul style="list-style-type: none"> ■ O depósito do óleo da corrente está vazio. ■ Existem resíduos na ranhura da barra de orientação. 	<ul style="list-style-type: none"> ■ Adicionar lubrificante à barra e à serra. ■ Limpe os resíduos na ranhura.

GARANTIA

POLÍTICA DE GARANTIA EGO

Visite o website egopowerplus.com para os termos e condições completos da política de garantia da EGO.

LEGGERE TUTTE LE ISTRUZIONI!**LEGGERE IL MANUALE DI ISTRUZIONI**

⚠️ Rischi residui! Le persone portatrici di dispositivi elettronici, ad esempio pacemaker, devono consultare il proprio medico prima di usare questo prodotto. L'uso di apparecchi elettrici in prossimità di pacemaker cardiaci comporta il rischio di interferenze o malfunzionamento del pacemaker.

SIMBOLI DI SICUREZZA

Lo scopo dei simboli di sicurezza è attirare l'attenzione dell'operatore su possibili pericoli. I simboli di sicurezza e le relative spiegazioni richiedono la massima attenzione e comprensione da parte dell'operatore. Le avvertenze

espresse dai simboli, da sole, non eliminano tutti i rischi. Le istruzioni e le avvertenze non sostituiscono le adeguate misure di prevenzione contro gli incidenti.

⚠️ AVVERTENZA! Accertarsi di aver letto e compreso tutte le istruzioni di sicurezza in questo manuale, inclusi tutti i simboli di avvertenza come **"PERICOLO"**, **"AVVERTENZA"** e **"ATTENZIONE"**, prima di usare questo apparecchio. Il mancato rispetto di tutte le istruzioni elencate di seguito comporta il rischio di scossa elettrica, incendio e/o lesioni gravi.

SIGNIFICATO DEI SIMBOLI

Questa pagina illustra e descrive i simboli di sicurezza che possono comparire sul prodotto. Leggere, comprendere e seguire tutte le istruzioni sull'apparecchio prima di tentare di assemblarlo e ripararlo.

IT

SIMBOLI DI SICUREZZA

Avvertenza di sicurezza



Indossare protezioni per gli occhi



Indossare protezioni per la testa



Barra guida



Contraccollo della punta della barra guida



Non esporre alla pioggia



I prodotti elettrici non devono essere smaltiti insieme ai rifiuti domestici. Portarli presso un centro di riciclaggio autorizzato.

V Volt



Corrente continua



Per ridurre il rischio di infortunio, l'utente deve leggere e comprendere tutte le istruzioni prima di usare questo prodotto.



Indossare protezioni per le orecchie



Indossare guanti di sicurezza



Non usare la motosega con una sola mano.



Usarla sempre con due mani.



Prestare attenzione al rischio di contraccollo ed evitare il contatto con la punta della barra guida.




Rumorosità

min⁻¹ Rotazioni al minuto

CE CE

SPECIFICHE TECNICHE

Tensione	56 V 	
Temperatura di funzionamento raccomandata:	Da -15°C-40°C	
Temperatura di conservazione raccomandata:	Da -20°C-70°C	
Temperatura di ricarica ottimale	Da 5 °C-40 °C	
Velocità della catena	20 m/s	
Partitura della catena	9,5 mm	
Larghezza scanalatura	1,3 mm	
Modello catena	91PX062X 90PX056X 90PX052X	
Modello barra guida	180SDEA041 164MLEA041 144MLEA041	
Capacità serbatoio dell'olio	200 ml	
Peso (senza gruppo batteria e copertura della barra guida)	4,4kg	
Livello di potenza sonora misurato L_{WA}	103,53 dB(A) K=1,17 dB(A)	
Livello di pressione sonora a livello dell'orecchio dell'operatore L_{PA}	92,53 dB(A) K=3,0 dB(A)	
Livello di potenza sonora garantito L_{WA} (conformemente a 2000/14/EC)	105 dB(A)	
Vibrazioni a_n	Impugnatura anteriore	5,158 m/s ² K=1,5 m/s ²
	Impugnatura posteriore	5,537 m/s ² K=1,5 m/s ²

- Il valore totale dichiarato delle vibrazioni è stato misurato con un metodo di valutazione standard e può essere utilizzato per confrontare l'apparecchio con altri prodotti analoghi.
- Il valore totale di vibrazioni indicato può essere utilizzato anche per una valutazione preliminare dei livelli di esposizione.

NOTA: l'emissione di vibrazioni durante l'uso effettivo dell'apparecchio può variare rispetto al valore indicato in base a come viene utilizzato l'utensile. Per proteggersi, l'operatore deve indossare guanti e dispositivi di protezione per le orecchie in base alle reali condizioni d'uso.

DESCRIZIONE

DESCRIZIONE DELLA MOTOSEGA (Fig. 1)

- Foro di lubrificazione
- Barra guida
- Catena della sega
- Tappo del serbatoio dell'olio
- Impugnatura del freno catena
- Impugnatura anteriore
- Pulsante di rilascio della batteria
- Pulsante di sbloccaggio
- Interruttore a velocità variabile
- Contatti elettrici
- Meccanismo di espulsione
- Finestra di ispezione dell'olio
- Impugnatura posteriore
- Pulsante LED
- Luci LED
- Spuntini di appoggio
- Manopola di regolazione della tensione della catena
- Copertura laterale
- Copertura della barra

CONTENUTO DELLA CONFEZIONE

NOME COMPONENTE	QUANTITÀ
Unità motore della motosega	1
Catena	1
Barra guida	1
Copertura della barra	1
Manuale di istruzioni	1

ASSEMBLAGGIO

ASSEMBLARE/SOSTITUIRE BARRA E CATENA

AVVERTENZA! Prima dell'assemblaggio, portare l'impugnatura del freno catena anti-contraccolpo in posizione di innesto.

- Posizionare l'unità motore su un fianco, con la copertura laterale rivolta verso l'alto (Fig. 2).
- Rimuovere la copertura laterale ruotando la manopola di regolazione della tensione in senso antiorario.
- Disporre la nuova catena ad anello su una superficie piana, raddrizzando eventuali pieghe.
- Posizionare le maglie di trascinamento nella scanalatura della barra guida e posizionare la catena in modo tale che formi un anello alla fine della barra guida (Fig. 3).

3-1	Maglie di trascinamento
3-2	Scanalatura della barra guida

5. Tenere la catena in posizione sulla barra guida e posizionare l'anello intorno al pignone dell'unità motore (Fig. 4).

NOTA: sulla catena e sull'unità motore sono incise delle piccole frecce. Durante l'avvolgimento della catena sulla barra guida, accertarsi che la direzione delle frecce sulla catena corrisponda alla direzione della freccia sull'unità motore.

6. Riposizionare la copertura laterale e serrare saldamente la manopola di regolazione della tensione. L'ingranaggio eccentrico all'interno della copertura laterale è progettato per evitare che la catena venga tesa eccessivamente.
7. Portare l'impugnatura del freno catena anti-contraccolpo in posizione operativa, quindi ruotare la catena manualmente per assicurarsi che sia installata correttamente e senza inceppamenti. In caso contrario, reinstallare la barra e la catena.

NOTA: sulla barra guida è presente una piastra di regolazione fissata con una vite. Se è necessario sostituire la barra guida, rimuovere la piastra di regolazione e rimontarla sulla nuova barra guida, come illustrato in Fig. 5.

UTILIZZO

DESTINAZIONE D'USO

Questo prodotto è destinato ad abbattimento, diramatura, potatura e taglio a pezzi di alberi e legname.

NOTA: usare l'apparecchio esclusivamente per gli scopi previsti. Altri utilizzi sono da considerarsi uso improprio.

INSTALLARE/RIMUOVERE IL GRUPPO BATTERIA Ricaricare completamente la batteria prima del primo utilizzo.

Usare l'apparecchio esclusivamente con i gruppi batteria e caricabatteria EGO elencati di seguito.

BATTERIA	CARICABATTERIA
BA1120E, BA2240E, BA1400, BA2800, BA3360, BA4200, BA1400T, BA2800T, BA4200T, BA5600T	CH2100E, CH5500E

Installazione

Allineare i rilievi sul gruppo batteria con le scanalature di assemblaggio e premere il gruppo batteria fino al "clic" (Fig. 6).

Rimozione

Premere il pulsante di rilascio della batteria ed estrarre il gruppo batteria (Fig. 7).

LUCI LED

Le luci LED (Fig. 1-15) sono situate sulla parte anteriore dell'unità motore della motosega. Le luci LED permettono di avere una maggiore visibilità e possono essere regolate su 2 livelli di luminosità.

Per accendere le luci, premere il pulsante LED (Fig. 1-14). Le luci illuminano l'area di fronte alla motosega. Premere nuovamente il pulsante LED per aumentare la luminosità delle luci.

Per spegnere le luci, premere nuovamente il pulsante LED.

AVVIARE/ARRESTARE LA MOTOSEGA

Prima di avviare la motosega

NOTA: prima di avviare la motosega, controllare il livello di tensione della catena, il livello dell'olio, l'affilatura dei denti di taglio della catena e il corretto funzionamento dell'impugnatura del freno catena. Assumere una posizione in equilibrio e osservare una corretta distanza dal terreno.

Avvio

1. Spingere l'impugnatura del freno catena anti-contraccolpo verso l'impugnatura anteriore in posizione operativa.
2. Afferrare saldamente l'impugnatura anteriore e posteriore, usando entrambe le mani.
3. Tenere premuto il pulsante di sbloccaggio, quindi premere l'interruttore a velocità variabile per avviare la motosega. La velocità della catena aumenta all'aumentare della pressione sull'interruttore a velocità variabile.
4. Rilasciare il pulsante di sbloccaggio e continuare a premere l'interruttore a velocità variabile per il funzionamento continuato.

Presa corretta sulle impugnature (Fig. 8)

- Indossare guanti antiscivolo per la massima aderenza e protezione.
- Con i piedi su una superficie solida e piana, impugnare saldamente la motosega con entrambe le mani.
- Tenere sempre la mano destra sull'impugnatura posteriore e la mano sinistra sull'impugnatura anteriore.
- Le dita devono avvolgere l'impugnatura, con il pollice al di sotto dell'impugnatura anteriore.

AVVERTENZA! Non usare mai una presa mancina (a mani invertite) e non assumere mai posizioni in cui il corpo o il braccio si trovano oltre la linea della catena (Fig. 9).

IT

Posizione di taglio corretta (Fig. 10)

- Entrambi i piedi devono poggiare su un terreno solido, con il peso distribuito uniformemente tra di essi.
- Il braccio sinistro deve essere teso, con il gomito bloccato per poter resistere alle forze generate dal contraccolpo.
- Il corpo deve sempre trovarsi a sinistra della linea della catena.

IT

TAGLIO

Taglio semplice

- Si raccomanda agli utenti inesperti di fare pratica tagliando ceppi su un cavalletto o un supporto similare.
- Iniziare a tagliare premendo leggermente la barra guida contro il legno. Applicare solo una leggera pressione, lasciando che sia la sega a eseguire il lavoro.
- Mantenere una velocità costante durante tutto il taglio, rilasciando la pressione appena prima del termine del taglio.

⚠ AVVERTENZA! Se la catena della motosega si arresta durante il taglio perché si è incastrata, rilasciare l'interruttore a grilletto; rimuovere catena e barra guida dal legno, quindi riavviare la motosega.

⚠ AVVERTENZA! Non tirare la motosega con le mani quando è incastrata nella segatura.

⚠ AVVERTENZA! Non avviare mai la motosega quando è a contatto con il legno. Attendere sempre che la motosega raggiunga la massima velocità prima di avvicinarla al legno.

ABBATTIMENTO DI UN ALBERO

- Se le operazioni di taglio a pezzi o abbattimento sono eseguite da due o più persone contemporaneamente, la distanza tra gli operatori che tagliano il legno e quelli che abbattono l'albero deve essere pari ad almeno due volte l'altezza dell'albero da abbattere. Gli alberi devono essere abbattuti in modo tale da evitare di causare pericolo per altre persone, colpire linee di alimentazione o provocare danni materiali. Se l'albero entra a contatto con una linea di alimentazione, informare immediatamente l'ente di fornitura.
- Durante il taglio su terreni in pendenza, l'operatore deve posizionarsi sempre a monte dell'albero, poiché è probabile che l'albero rotoli o scivoli in discesa dopo l'abbattimento.
- Predisporre e sgombrare una via di fuga prima di iniziare il taglio. La via di fuga deve condurre nella direzione diagonalmente opposta alla linea di caduta prevista, come illustrato in Fig. 11.

11-1	Direzione di abbattimento
------	---------------------------

- Per determinare la direzione di caduta dell'albero, prima dell'abbattimento è necessario valutare la pendenza naturale dell'albero, la posizione dei rami più grossi e la direzione del vento.
- Rimuovere dall'albero pietre, sporcizia, pezzi di corteccia, chiodi, graffette e cavi.

Taglio direzionale

Praticare un intaglio pari a 1/3 del diametro dell'albero e perpendicolarmente alla direzione di caduta, come illustrato in Fig. 12. Praticare per primo l'intaglio inferiore orizzontale per evitare che la catena o la barra guida si incastrino durante l'esecuzione del secondo intaglio.

Taglio di abbattimento

- Praticare il taglio di abbattimento almeno 50 mm sopra l'intaglio direzionale orizzontale, come illustrato in Fig. 12-3.

12-1	Direzione di caduta	12-3	Taglio di abbattimento
12-2	Intaglio	12-4	Cerniera

Mantenere il taglio di abbattimento parallelo all'intaglio orizzontale. Effettuare il taglio lasciando una quantità di legno sufficiente affinché funga da cerniera. La cerniera impedisce all'albero di ruotare su se stesso e cadere nella direzione errata. Non tagliare la cerniera.

- Quando il taglio di abbattimento si avvicina alla cerniera, l'albero dovrebbe iniziare a cadere. Se si teme che l'albero non cada nella direzione desiderata o che possa piegarsi all'indietro e bloccare la catena della motosega, interrompere il taglio di abbattimento e inserire cunei in legno, plastica o alluminio
- per aprire il taglio e dare all'albero la linea di caduta desiderata.
- Quando l'albero inizia a cadere, rimuovere la motosega dal taglio, arrestare il motore, posarla e abbandonare l'area di pericolo utilizzando la via di fuga programmata. Prestare attenzione ai rami che potrebbero cadere e a non inciampare.

Diramatura di un albero

La diramatura è il taglio dei rami da un albero abbattuto. Durante la diramatura, lasciare i rami inferiori più grandi e utilizzarli per tenere il tronco sollevato dal terreno. Rimuovere i rami più piccoli con un taglio solo, come illustrato in Fig. 13. I rami in tensione devono essere tagliati dal basso verso l'alto per evitare che la catena della motosega rimanga incastrata.

Taglio in pezzi di un tronco

- Questa operazione consiste nel tagliare un tronco abbattuto in pezzi. È importante mantenere sempre il contatto con il terreno, con il peso distribuito su entrambi i piedi. Se possibile, il tronco deve essere rialzato e sostenuto da rami, ceppi o cunei. Per effettuare il taglio, procedere come descritto di seguito.
- Quando il tronco è sostenuto per tutta la sua lunghezza, come illustrato in figura 14, deve essere tagliato dall'alto (taglio superiore).
- Quando il tronco è sostenuto da una sola estremità, come illustrato in Fig. 15, tagliare 1/3 del diametro dal basso
- (taglio inferiore). Quindi effettuare il taglio finale partendo dall'alto, fino a incontrare il primo taglio.
- Quando il tronco è sostenuto da entrambe le estremità, come illustrato in Fig. 16, tagliare 1/3 del diametro dall'alto (taglio superiore). Quindi praticare il taglio finale tagliando i 2/3 inferiori per incontrare il primo taglio.
- Durante il taglio su terreni in pendenza, l'operatore deve posizionarsi sempre a monte del tronco, come illustrato in Fig. 17.
- Per mantenere il controllo della motosega quando si taglia completamente un tronco, ridurre la pressione sull'apparecchio verso la fine del taglio senza allentare la presa sulle impugnature. Non lasciare che la catena entri a contatto con il terreno. Dopo aver completato il taglio, attendere che la motosega si arresti prima di spostarla. Spegnerla sempre il motore prima di spostarsi da un albero all'altro.

MANUTENZIONE

AGGIUNGERE IL LUBRIFICANTE PER BARRA E CATENA

NOTA: la motosega è priva d'olio al momento dell'acquisto. È essenziale riempire il serbatoio con l'olio prima dell'uso. La catena viene automaticamente lubrificata con olio durante il funzionamento.

1. Posizionare l'unità motore su un fianco, con il tappo del serbatoio dell'olio rivolto in avanti.
2. Pulire il tappo e l'area intorno ad esso, quindi ruotarlo in senso antiorario per rimuoverlo (Fig. 18).
3. Versare con attenzione l'olio specifico per barra e catena nel serbatoio fino a raggiungere la parte inferiore del collo di riempimento.
4. Rimuovere eventuali eccedenze d'olio e riposizionare il tappo.

NOTA: in posizione verticale, l'olio deve riempire la finestra di osservazione. Quando l'olio non è più visibile nella finestra di osservazione, interrompere immediatamente l'uso e riempire il serbatoio.

PULIZIA

- Dopo ogni utilizzo, rimuovere i detriti da barra e catena con una spazzola morbida. Pulire la superficie della motosega con un panno pulito inumidito con acqua saponata.
- Rimuovere la copertura laterale, quindi usare una spazzola morbida per rimuovere i detriti da barra guida, catena, pignone e copertura laterale.
- Rimuovere sempre eventuali frammenti di legno, segatura e sporczia dalla scanalatura della barra guida durante la sostituzione della catena.

MANUTENZIONE DELLA BARRA GUIDA

Quando la barra guida mostra segni di usura, rimuoverla dall'unità motore della motosega e riassembrarla invertita (Fig. 19), per distribuire uniformemente l'usura e prolungare la durata di vita della barra.

La barra deve essere pulita ogni giorno di utilizzo e ispezionata per verificare che non sia usurata o danneggiata. La bavatura o smussatura dei binari della barra è un normale processo dell'usura della barra. Tali difetti devono essere immediatamente corretti con una lima. Una barra con i difetti riportati di seguito deve essere sostituita.

- Usura all'interno dei binari della barra che mantengono la catena in posizione.
- Barra guida piegata.
- Binari incrinati o rotti.
- Allargamento dei binari.

Inoltre, la barra guida è dotata di un pignone sulla punta (Fig. 20-1). Il pignone deve essere lubrificato settimanalmente con un'apposita siringa per prolungare la durata di vita della barra guida (Fig. 21). Lubrificarlo ogni settimana introducendo dell'olio per catena nel foro di lubrificazione (Fig. 20-2). Capovolgere la barra guida e controllare che i fori di lubrificazione e la scanalatura della barra siano privi di impurità.

MANUTENZIONE DELLA CATENA

Usare esclusivamente catene a riduzione del contraccolpo. Le catene a taglio rapido riducono il rischio di contraccolpo se vengono mantenute in buono stato.

Una catena affilata correttamente taglia il legno senza sforzo, anche esercitando poca pressione. Non usare mai una catena smussata o danneggiata. Una catena smussata comporta l'aumento dello sforzo fisico e del carico di vibrazioni, risultati di taglio non soddisfacenti e una maggiore usura.

Per un taglio rapido e omogeneo, la catena deve essere mantenuta in buono stato. La catena necessita di affilatura quando i frammenti di legno diventano piccoli e polverosi, se è necessario forzare la catena nel legno durante il taglio o la catena taglia da un lato. Per la manutenzione della catena, tenere in considerazione i punti descritti di seguito.

- Se l'angolo di taglio laterale viene affilato scorrettamente, il rischio di contraccolpo può aumentare.
- Una profondità di taglio troppo bassa aumenta il rischio di contraccolpo, ma non abbastanza bassa riduce l'efficienza di taglio.
- Se i taglienti hanno urtato oggetti duri, come chiodi e pietre, o sono stati abrasati da fango o sabbia nel legno, affidare l'affilatura della catena a un tecnico qualificato.

IT

TRASPORTO E CONSERVAZIONE

- Non conservare o trasportare la motosega quando è in funzione. Rimuovere sempre il gruppo batteria prima di riporla o trasportarla.
- Installare sempre la copertura della barra guida su barra e catena prima di riporre o trasportare la motosega. Prestare attenzione per evitare il contatto con i denti affilati della catena.
- Pulire accuratamente la motosega prima di riporla. Conservare la motosega in interni, in un luogo asciutto, al chiuso e/o inaccessibile ai bambini.
- Tenerla al riparo da agenti corrosivi, ad esempio sostanze chimiche per il giardinaggio e sale per disgelo.

Protezione dell'ambiente



RAEE (Rifiuti di apparecchiature elettriche ed elettroniche)

Non smaltire apparecchi elettrici, caricabatteria e batterie insieme ai rifiuti domestici. Portare il prodotto presso un centro di riciclaggio autorizzato affinché venga raccolto separatamente. Gli apparecchi elettrici devono essere portati presso un centro di riciclaggio ecocompatibile.

RISOLUZIONE DEI PROBLEMI

IT

PROBLEMA	CAUSA	SOLUZIONE
Il motore non si avvia.	<ul style="list-style-type: none"> ■ Il gruppo batteria non è installato sulla motosega. ■ Nessun contatto elettrico tra la motosega e la batteria. ■ Il gruppo batteria è scarico. ■ Il gruppo batteria o la motosega sono troppo caldi. ■ Il freno catena è attivo. ■ Detriti nella scanalatura della barra. ■ Detriti nella copertura laterale. 	<ul style="list-style-type: none"> ■ Installare il gruppo batteria sulla motosega. ■ Rimuovere la batteria, ispezionare i contatti e reinstallare il gruppo batteria. ■ Ricaricare il gruppo batteria. ■ Attendere che la temperatura del gruppo batteria o della motosega scenda al di sotto di 67 °C. ■ Spingere l'impugnatura del freno catena anti-contraccolpo verso l'impugnatura anteriore, in posizione operativa. ■ Premere la motosega contro il legno e muoverla avanti e indietro per rimuovere i detriti. ■ Rimuovere il gruppo batteria, quindi rimuovere la copertura laterale ed eliminare i detriti.
La motosega si arresta durante il funzionamento.	<ul style="list-style-type: none"> ■ La motosega è sovraccarica. ■ Il gruppo batteria o la motosega sono troppo caldi. ■ La motosega è incastrata nel legno. 	<ul style="list-style-type: none"> ■ Diminuire il carico. ■ Diminuire il carico. Attendere che la temperatura del gruppo batteria o della motosega scenda al di sotto di 67 °C. ■ Rilasciare l'interruttore a grilletto; rimuovere la catena e la barra guida dal legno, quindi riavviare la motosega.
Il motore funziona ma la catena non ruota.	<ul style="list-style-type: none"> ■ La catena non ingrana il pignone. ■ I detriti impediscono il movimento completo dell'impugnatura del freno catena. ■ Malfunzionamento del freno catena. 	<ul style="list-style-type: none"> ■ Reinstallare la catena, assicurandosi che le maglie di trascinamento sulla catena siano posizionate correttamente sul pignone. ■ I detriti impediscono il movimento completo dell'impugnatura del freno catena. ■ Contattare il centro di assistenza EGO per la riparazione.

PROBLEMA	CAUSA	SOLUZIONE
La motosega non taglia correttamente.	<ul style="list-style-type: none"> ■ Tensione della catena insufficiente. ■ Catena smussata. ■ Catena installata in senso inverso. ■ Catena usurata. ■ Catena secca o eccessivamente allungata. 	<ul style="list-style-type: none"> ■ Ruotare la manopola di regolazione della tensione di almeno due giri in senso antiorario, quindi ruotarla in senso orario per tendere la catena correttamente. ■ Affilare i taglienti come descritto alla sezione "COME AFFILARE I TAGLIENTI". ■ Reinstallare la catena come descritto alla sezione "ASSEMBLARE/SOSTITUIRE BARRA E CATENA". ■ Sostituire la catena come descritto alla sezione "ASSEMBLARE/SOSTITUIRE BARRA E CATENA". ■ Controllare il livello dell'olio nel serbatoio dell'olio. Riempire il serbatoio dell'olio, se necessario.
La catena cade dalla barra guida.	<ul style="list-style-type: none"> ■ Tensione della catena insufficiente. ■ La catena non ingrana il pignone. 	<ul style="list-style-type: none"> ■ Ruotare la manopola di regolazione della tensione di almeno due giri in senso antiorario, quindi ruotarla in senso orario per tendere la catena correttamente. ■ Reinstallare la catena come descritto alla sezione "ASSEMBLARE/SOSTITUIRE BARRA E CATENA", assicurandosi che le maglie di trascinamento sulla catena siano posizionate correttamente sul pignone.
Barra e catena diventano calde ed emettono fumo.	<ul style="list-style-type: none"> ■ Il serbatoio dell'olio è vuoto. ■ Detriti nella scanalatura della barra guida. 	<ul style="list-style-type: none"> ■ Aggiungere il lubrificante per barra e catena. ■ Eliminare i detriti nella scanalatura.

GARANZIA

CONDIZIONI DELLA GARANZIA EGO

Visitare il sito web egopowerplus.com per consultare le condizioni complete della garanzia EGO.

LEES ALLE INSTRUCTIES!



LEES DE GEBRUIKSAANWIJZING

⚠ Restrisico! Personen met elektronische apparaten, zoals pacemakers, moeten eerst hun arts(en) raadplegen voordat ze dit product gebruiken. De werking van een elektrisch apparaat in de nabijheid van een pacemaker kan een storing of defect van de pacemaker veroorzaken.

VEILIGHEIDSSYMBOL

Het doel van de veiligheidssymbolen is om u te wijzen op mogelijke gevaren. Besteed daarom voldoende aandacht hieraan en begrijp de veiligheidssymbolen en bijbehorende uitleg. De symboolwaarschuwingen op zich

eliminieren geen enkel gevaar. De verstrekte instructies en waarschuwingen gelden niet als vervanging voor gepaste voorzorgsmaatregelen tegen ongevallen.

⚠ WAARSCHUWING: Lees en begrijp alle veiligheidsinstructies die in deze gebruiksaanwijzing staan vermeld, waaronder alle veiligheidssymbolen zoals “GEVAAR,” “WAARSCHUWING,” en “OPGELET” voordat u dit gereedschap in gebruik neemt. Het negeren van onderstaande instructies kan leiden tot een elektrische schok, brand en/of ernstig persoonlijk letsel.

BETEKENIS VAN DE SYMBOLEN

Deze pagina toont en beschrijft alle veiligheidssymbolen die zich op dit product kunnen bevinden. Lees, begrijp en volg alle instructies op de machine voordat u deze in elkaar zet en gebruikt.

NL

VEILIGHEIDSSYMBOLEN



Veiligheidswaarschuwing



Draag oogbescherming



Draag hoofdbescherming



Zaagblad



Terugslag van de punt van het zaagblad



Niet aan regen blootstellen.



Gooi elektrisch afval niet via het huishoudelijk afval weg. Breng het naar een geautoriseerd recyclingbedrijf.

V Volt



Gelijkstroom



De gebruiker dient de gebruiksaanwijzing voor het gebruik van dit product te lezen en te begrijpen om risico op letsel te beperken.



Draag oorbescherming



Draag beschermende handschoenen



Gebruik de kettingzaag niet met slechts één hand



Gebruik de kettingzaag altijd met twee handen



Pas op voor de terugslag van de kettingzaag en voorkom contact met de punt van het blad




Geluid

min⁻¹ Toeren per minuut

CE CE

SPECIFICATIES

Spanning	56 V 	
Aanbevolen bedrijfstemperatuur:	-15°C-40°C	
Aanbevolen opslagtemperatuur:	-20°C-70°C	
Optimale laadtemperatuur	5 °C-40 °C	
Ketting snelheid	20 m/s	
Kettingsteek	9,5 mm	
Kettingpeil	1,3 mm	
Zaag kettingtype	91PX062X 90PX056X 90PX052X	
Zaagblad type	180SDEA041 164MLEA041 144MLEA041	
Kettingolie tankcapaciteit	200 ml	
Gewicht (zonder accupack, met kettingbeschermer)	4,4kg	
Gemeten geluidsvermogensniveau L_{WA}	103,53 dB(A) K=1,17 dB(A)	
Geluidsdrukniveau bij het oor van de bediener L_{PA}	92,53 dB(A) K=3,0 dB(A)	
Gewaarborgd geluidsvermogensniveau L_{WA} (in overeenstemming met 2000/14/EC)	105 dB(A)	
Vibratie a_h	Voorste handvat	5,158 m/s ² K=1,5 m/s ²
	Achterste handvat	5,537 m/s ² K=1,5 m/s ²

- De opgegeven totale vibratiewaarde is gemeten volgens de standaard testmethode en kan worden gebruikt om het apparaat met een ander apparaat te vergelijken;
- De opgegeven totale vibratiewaarde kan tevens worden gebruikt in een voorafgaande beoordeling op blootstelling.

OPMERKING: De vibratie-afgifte tijdens het werkelijk gebruik van het elektrisch gereedschap kan verschillen van de opgegeven totale waarde; Om de bediener te beschermen dient de gebruiker tijdens het gebruik handschoenen en gehoorbescherming te dragen.

BESCHRIJVING

MAAK KENNIS MET UW KETTINGZAAG (afb. 1)

- Smeeropening
- Zaagblad
- Zaagketting
- Olietank dop
- Ketting terugslag remhendel
- Voorste handgreep
- Accuvrijgaveknop
- Vergrendelknop
- Instelbare snelheidsschakelaar
- Elektrische contacten
- Uitwerpmechanisme
- Oliepeilglas
- Achterste handgreep
- Led-knop
- Led werkklampen
- Zaagspikes
- Knop voor de snelle aanpassing van de kettingspanning
- Zij-afdekking
- Kettingbescherming

INHOUD VAN DE VERPAKKING

OMSCHRIJVING VAN DE ONDERDELEN	AANTAL
Kettingzaag motorkop	1
Zaagketting	1
Zaagblad	1
Kettingbescherming	1
Gebruiksaanwijzing	1

MONTAGE

MONTEREN/VERVANGEN VAN HET ZAAGBLAD EN DE KETTING

⚠ WAARSCHUWING: Pas het ketting-terugslag remhendel in de repositie aan voor de montage.

- Plaats de kettingzaag motorkop op zijn zijkant met de zij-afdekking naar boven gericht (afb. 2).
- Verwijder de zij-afdekking door de knop voor de snelle kettingspanning tegen de klok in te draaien.
- Plaats de nieuwe ketting in een lus op de vlakke ondergrond en maak eventuele knikken recht.
- Plaats de aandrijfschakels van de ketting in de groef van het zaagblad en laat de ketting in een lus naar de achterkant van het zaagblad lopen (afb. 3).

3-1	Aandrijfschakels van de ketting
3-2	Zaagblad groef

5. Houd de ketting op zijn plaats op het zaagblad en plaats de lus rond het tandwiel van de motorkop (afb. 4).

OPMERKING: Kleine richtingspijlen zijn gegraveerd in de zaagketting en de motorkop. Als u de zaagketting op het zaagblad zet, dient u ervoor te zorgen dat de richting van de pijlen op de zaagketting overeen komen met de richting van de pijl op de motorkop.

6. Plaats de zij-afdekking terug en draai de knop van de snelle aanpassing van de kettingspanning helemaal vast. De excentrische versnelling in de zij-afdekking is ontwikkeld om ervoor te zorgen dat de ketting niet te strak zit
7. Pas de ketting-terugslag remhendel aan in de gebruikpositie en draai de ketting vervolgens met de hand om te controleren of de ketting juist is gemonteerd zonder klem te zitten. Anders moet u de ketting en het blad opnieuw monteren.

OPMERKING: Er bevindt zich een aanpassingsplaat die met een schroef is bevestigd op het zaagblad. Als het zaagblad moet worden vervangen, verwijder de aanpassingsplaat aan het zaagblad en monteer hem op het nieuwe zaagblad zoals weergegeven in afb. 5

GEBRUIK

TOEPASSING

U kunt dit product gebruiken voor het normale kappen, snoeien, opsnoeien en houtsnedes van hout en bomen.

OPMERKING: Het gereedschap mag alleen voor het voorheen genoemde doeleinde worden gebruikt. Ieder ander gebruik is in dit geval misbruik

HET ACCUPACK INSTALLEREN/VERWIJDEREN Voor de eerste ingebruikname volledig opladen.

Gebruik het gereedschap alleen met de onderstaand vermelde accupacks en opladers van EGO:

ACCU	LADER
BA1120E, BA2240E, BA1400, BA2800, BA3360, BA4200, BA1400T, BA2800T, BA4200T, BA5600T	CH2100E, CH5500E

Installeren

Breng de geleiders van het accupack overeen met de montagesleuven en druk het accupack naar beneden totdat u "klik" hoort (afb. 6).

Verwijderen

Druk de accuvrijgaveknop naar beneden en trek het accupack eruit (afb. 7).

LED WERKLAMPEN

De led werklamp (afb. 1-15) bevindt zich aan de voorkant van de motorkop van de kettingzaag. Deze functie zorgt voor extra licht voor een betere zichtbaarheid en kan worden ingesteld in 2 helderheden.

Druk een keer op de led-knop (afb. 1-14) om de lampen in te schakelen. De werklampen zorgen voor helder licht aan de voorzijde van de kettingzaag. Druk een tweede keer op de led knop waarna de lampen helderder schijnen.

Om de werklampen uit te schakelen drukt u een derde keer op de led-knop.

DE KETTINGZAAG STARTEN/STOPPEN

Voordat u de kettingzaag start

OPMERKING: Voordat u de kettingzaag start, moet u de knop voor de snelle aanpassing van de kettingspanning en het oliepeil, de scherpte van de zaagtanden en de werking van de terugslag remhendel controleren. Bovendien dient u goed te staan en voor voldoende ruimte te zorgen.

Starten

1. Trek de ketting terugslag remhendel naar de voorste handgreep in de gebruikpositie
2. Pak de voorste en achterste handgrepen stevig vast met beide handen.
3. Druk de ontgrendelingsknop en houd deze ingedrukt, druk vervolgens op de variabele snelheidsknop om de zaag te starten. Kettingsnelheid neemt toe met een verhoogde druk op de variabele snelheidsknop.
4. Laat de ontgrendelknop los en houd de variabele snelheidsknop ingedrukt voor continu gebruik.

Correcte grip op de handgrepen (afb. 8)

- Draag anti-slip handschoenen voor een maximale grip en bescherming.
- Met de zaag op een stevige, vlakke ondergrond houdt u de zaag stevig met beide handen vast.
- Pak altijd de voorste handgreep met de linkerhand en de achterste handgreep met de rechterhand vast.
- De vingers dienen de handgreep te omsluiten, met de duim onder de voorste handgreep.

WAARSCHUWING: Gebruik nooit een linkshandige (gekruste) greep, of een houding waarbij u uw lichaam of arm over de kettinglijn beweegt (afb. 9).

Goede zaagpositie (afb. 10)

- Beide voeten moeten op een vaste ondergrond staan, het gewicht gelijkmatig verdeeld.

- De linkerarm moet recht zijn, met de elleboog vergrendeld. Dit helpt om de krachten van de terugslag te weerstaan.
- Uw lichaam moet zich altijd links van de zaaglijn bevinden.

ZAGEN

Standaard zagen

- Voor gebruikers die de zaag voor het eerst gebruiken: snijd eerst houtblokken op een zaagbok of zaagsteun.
- Begin met een lichte druk van het zaagblad tegen het hout te zagen. Gebruik slechts een lichte druk, laat de zaag het werk doen
- Zorg voor een regelmatige snelheid tijdens het zagen, laat de druk pas los net voor het einde van de zaagsnede.

⚠ WAARSCHUWING: Als de zaagketting is gestopt tijdens het zagen doordat hij klem zit, laat u de drukschakelaar los; verwijder de zaagketting en het zaagblad uit het hout, start de zaag vervolgens opnieuw.

⚠ WAARSCHUWING: Trek de zaagketting niet met uw hand eruit als hij bedekt is door zaagsel.

⚠ WAARSCHUWING: Start de kettingzaag nooit als deze contact heeft met het hout. Laat de kettingzaag eerst op snelheid komen voordat u de zaag in contact brengt met het hout.

EEN BOOM KAPPEN

- Als het zagen en kappen door twee of meer personen gelijktijdig wordt uitgevoerd, dient het kappen apart van het zagen plaats te vinden op een afstand van tenminste twee keer de hoogte van de boom die wordt gekapt. Bomen mogen niet worden gekapt als hierdoor gevaren voor personen ontstaan, een stroomleiding kan worden geraakt of eigendom kan worden beschadigd. Als de boom contact heeft met een stroomleiding, dient u direct contact op te nemen met de stroomleverancier.
- De bediener van de kettingzaag dient aan de hogere zijde van het terrein te staan, aangezien de boom waarschijnlijk naar beneden rolt of glijdt als hij wordt gekapt.
- U dient altijd een vluchtweg te plannen en deze vrij te maken voordat u begint met zagen. De vluchtweg dient zich naar achteren en diagonaal ten opzichte van de verwachte vallijn te bevinden zoals weergegeven in afb. 11.

11-1	Kaprichting
------	-------------

- Voordat u begint met kappen, dient u op de natuurlijke hoek van de boom, de locatie of grotere takken en de windrichting te kijken om te beoordelen in welke richting de boom zal vallen.
- Verwijder vuil, stenen, losse schors, spijkers, nietjes en draden van de boom.

Inkepen

Maak een inkeping 1/3 van de diameter van de boom, loodrecht op de valrichting, zoals te zien in afb. 12. Zet eerst de lagere horizontale inkeping aan. Hierdoor wordt voorkomen dat de kettingzaag of het zaagblad vast komen te zitten als de tweede inkeping wordt gemaakt.

Snoeisnede

- Maak de snoeisnede tenminste 50 mm hoger dan de horizontale inkeping zoals weergegeven in afb. 12-3.

12-1	Richting van de val	12-3	Snoeisnede
12-2	Inkeping	12-4	Scharnier

Houd de snoeisnede parallel met de horizontale inkeping. Maak de snoeisnede zo dat er genoeg hout over is dat als scharnier kan fungeren. Het scharnierhout zorgt ervoor dat de boom niet draait en in de verkeerde richting valt. Zaag niet door het scharnier.

- Als de snoeisnede dicht bij het scharnier komt, moet de boom beginnen te vallen. Als er een mogelijkheid bestaat, dat de boom niet in de gewenste richting valt of als hij terug wiegt en de zaagketting vast haakt, dient u te stoppen met zagen voordat de snoeisnede compleet is en dient u gebruik te maken van houten, plastic of aluminium wiggen om de snede te openen en de boom in de gewenste richting te laten vallen.
- Als de boom begint te vallen dient u de zaag uit de snede te halen, de motor te stoppen, de zaag neer te leggen en de geplande vluchtweg te gebruiken. Wees alert voor takken die boven uw hoofd omlaag kunnen vallen en pas op waar u loopt.

Een boom snoeien

Snoeien is het verwijderen van de takken van een omgehakte boom. Als u snoeit, dient u grotere, lager zittende takken aan de boom te laten zodat deze de boom op de grond kan steunen. Verwijder kleine takken in één beweging zoals weergegeven in afb. 13. Takken onder spanning moeten van beneden naar boven worden gezaagd om te voorkomen dat de kettingzaag vast komt te zitten.

Zagen van een blok

- Zagen van een blok is het zagen van een boomstam in kortere stukken. Het is belangrijk om ervoor te zorgen dat u stevig staat en uw gewicht gelijkmatig over beide voeten verdeelt. Indien mogelijk dient u de blok op hoogte te brengen door middel van blokken of stutten. Volg de eenvoudige aanwijzingen voor het eenvoudig zagen.
- Als de blok over de gehele lengte wordt ondersteund, zoals weergegeven in afb. 14, dient u van boven te zagen (bovenzijde).
- Als de blok aan één uiteinde wordt ondersteund, zoals weergegeven in afb. 15, zaagt u 1/3 diameter vanaf de onderzijde
- (van beneden zagen). Rond de zaagsnede vervolgens af door van boven uit te zagen totdat u bij de eerste zaagsnede aankomt.
- Als de blok aan beide uiteinden wordt ondersteund, zoals weergegeven in afb. 16, zaagt u 1/3 diameter vanaf de bovenkant (bovenzijde). Rond de zaagsnede vervolgens af door van beneden uit de onderste 2/3 van de zaagsnede te zagen totdat u bij de eerste zaagsnede aankomt.
- Als u op een helling zaagt, dient u altijd boven de blok te staan zoals weergegeven in afb. 17.
- Als u "doorzaagt", dient u, om de volledige controle te behouden, de zaagdruk te verminderen aan het einde van de zaagsnede zonder uw greep van de kettingzaag handgrepen te verminderen. Laat de ketting geen contact met de grond maken. Nadat u klaar bent met zagen, wacht u totdat de kettingzaag tot stilstand komt voordat u de kettingzaag beweegt. Stop de motor altijd voordat u van boom naar boom gaat.

ONDERHOUD

SMEERMIDDEL VAN HET ZAAGBLAD EN DE KETTING BIJVULLEN

OPMERKING: De kettingzaag is niet gevuld met olie op het moment van aankoop. Het is van essentieel belang dat de tank voor gebruik met olie wordt gevuld. De ketting wordt automatisch gesmeerd met kettingolie tijdens het gebruik.

1. Positie van de kettingzaag op de zijkant met de dop van de olietank naar voren wijzend.
2. Reinig de dop maar ook het gedeelte eromheen en draai hem vervolgens linksom om hem te verwijderen (afb. 18).
3. Doe voorzichtig speciaal hiervoor bestemde olie in de tank totdat dit de onderkant van de filterrand bereikt.
4. Veeg overtollige olie weg en plaats de dop weer terug.

OPMERKING: Rechtop staand moet de olie het oliepeilglas vullen. Als de olie niet meer zichtbaar is in het oliepeilglas, moet u direct stoppen met het gebruik en hem vullen.

REINIGING

- Na ieder gebruik dient u het vuil met een zachte borstel van de ketting en het zaagblad te verwijderen. Veeg het oppervlak van de kettingzaag schoon met een vochtige doek en een mild zeepsopje.
- Verwijder de zij-afdekking en gebruik een zachte borstel om het vuil van het zaagblad, zaagketting, het tandwiel en de zij-afdekking te verwijderen.
- Verwijder altijd houtsnippers, zaagsel en vuil van de groef van het zaagblad als u de zaagketting vervangt.

ZAAGBLAD ONDERHOUD

Als het zaagblad tekenen van slijtage vertoont, demonteer hem dan de kettingzaag motorkop en draai hem om voor hernieuwde montage (afb. 19), hierdoor bereikt u de maximale levensduur.

Het blad dient iedere dag van gebruik te worden gereinigd en op slijtage en beschadigingen te worden gecontroleerd. Vering of afbramen van de bladgeleiders is een normaal slijtageproces van het zaagblad. Dergelijke fouten dienen te worden verholpen met een vijl zodra deze de kop opsteken. Een blad met één van de volgende fouten dient te worden vervangen.

- Slijtage aan de binnenkant van de bladgeleiders waardoor de ketting over de zijkant kan lopen.
- Gebogen zaagblad.
- Gescheurde of gebroken geleiders.
- Uiteenstaande geleiders.

Bovendien heeft het zaagblad een tandwiel aan de punt (afb. 20-1). Het tandwiel moet op een wekelijkse basis worden gesmeerd met een vetspuit om de levensduur van het zaagblad te verlengen (afb. 21). Gebruik een vetspuit om op een wekelijkse basis met kettingolie te smeren door middel van de smeeroening (afb. 20-2). Draai het zaagblad en controleer of de smeeroeningen en de ketting groef vrij zijn van verontreinigingen.

KETTING ONDERHOUD

Gebruik alleen kettingen met een lage terugslag op deze zaag. Deze snel zagende ketting zorgt voor een verminderde terugslag als hij correct wordt onderhouden.

Een goed geslepen zaagketting snijdt moeiteloos door hout, zelfs met zeer weinig druk. Gebruik nooit een botte of beschadigde zaagketting. Een botte zaagketting leidt tot verhoogde lichamelijke krachtinspanning, verhoogde trilling, onbevredigende zaagresultaten en verhoogde slijtage.

Voor het soepel en snel zagen dient de ketting correct te worden onderhouden. De ketting moet worden geslepen als de houtsnippers klein en poederachtig zijn, de ketting met kracht door het hout moet worden gedrukt of als de ketting aan slechts één zijde zaagt. Tijdens het onderhoud van uw ketting moet u rekening houden met het volgende:

- Een onjuiste vijlhoek van de zijplaat kan het risico op een zware terugslag verhogen.
- Dieptemeter speling. Te laag verhoogt het potentiële risico op een terugslag. Niet laag genoeg vermindert het zaagvermogen.
- Als de zaagtanden harde voorwerpen hebben getroffen, zoals spijkers en stenen, of als ze worden afgeschuurd door modder of zand op het hout, moet de ketting worden geslepen door een gekwalificeerde servicemonteur.

NL

TRANSPORT EN OPSLAG

- Berg de kettingzaag nooit op en transporteer hem niet als hij aan staat. Verwijder altijd het accupack voor het opbergen of de transport.
- Plaats altijd de bescherming op het zaagblad en de ketting voordat u de kettingzaag opslaat of transporteert. Let op voor de scherpe tanden van de ketting.
- Maak de kettingzaag grondig schoon voordat u deze opbergt. Berg de kettingzaag binnenshuis op in een droge ruimte die voor kinderen gesloten en/of ontoegankelijk is.
- Houd uit de buurt van corrosieve middelen, zoals tuinchemicaliën en strooizout.

Het milieu beschermen



WEEE (afgedankte elektrische en elektronische apparatuur)

Gooi geen elektrische apparatuur, gebruikte batterijen en laders weg via het huishoudelijk afval! Geef dit product af bij een geautoriseerd recyclingbedrijf en zorg dat het apart kan worden ingezameld. Elektrisch gereedschap moet worden afgegeven voor een milieuvriendelijke recycling.

PROBLEEMOPLOSSING

PROBLEEM	OORZAAK	OPLOSSING
De motor start niet.	<ul style="list-style-type: none"> ■ Het accupack is niet met de kettingzaag verbonden. ■ Er is geen elektrisch contact tussen de zaag en accu. ■ Het accupack is uitgeput. ■ Het accupack of de kettingzaag is te warm. ■ De kettingrem is geactiveerd. ■ Er bevindt zich vuil in de groef van het blad. ■ Er bevindt zich vuil in de zij-afdekking. 	<ul style="list-style-type: none"> ■ Bevestig het accupack aan de kettingzaag. ■ Verwijder de accu, controleer de contacten en bevestig het accupack weer. ■ Laad het accupack op. ■ Laat het accupack of de kettingzaag afkoelen totdat de temperatuur lager dan 67 °C is. ■ Trek de ketting terugslag remhendel naar achteren naar de voorste handgreep tot in de gebruikspositie. ■ Druk de zaagketting tegen het hout, beweeg de zaagketting heen en weer om het vuil te verwijderen. ■ Verwijder het accupack, verwijder vervolgens de zij-afdekking en ontdoe hem van vuil.
De kettingzaag stopt met lopen tijdens het gebruik.	<ul style="list-style-type: none"> ■ De kettingzaag is overbelast. ■ Het accupack of de kettingzaag is te warm. ■ De zaagketting zit vast in het hout. 	<ul style="list-style-type: none"> ■ Verlaag de belasting. ■ Verlaag de belasting. Laat het accupack of de kettingzaag afkoelen totdat de temperatuur lager dan 67 °C is. ■ Laat u de drukschakelaar los; verwijder de zaagketting en het zaagblad uit het hout, start de kettingzaag vervolgens opnieuw.
De motor loopt, maar de ketting draait niet.	<ul style="list-style-type: none"> ■ De ketting heeft geen contact met het tandwiel. ■ Vuil voorkomt de volledige beweging van de ketting terugslag remhendel. ■ Mogelijke storing van de kettingrem. 	<ul style="list-style-type: none"> ■ Bevestig de ketting weer; zorg ervoor dat de aandrijfschakels op de ketting volledig over het tandwiel lopen. ■ Vuil voorkomt de volledige beweging van de ketting terugslag remhendel. ■ Neem contact op met de klantenservice van EGO in geval van reparaties.

NL

PROBLEEM	OORZAAK	OPLOSSING
De kettingzaag zaagt niet goed.	<ul style="list-style-type: none"> ■ Onvoldoende kettingspanning. ■ Botte ketting. ■ De ketting is achterste voren bevestigd. ■ De ketting is versleten. ■ Droge of overmatig gerekte ketting. 	<ul style="list-style-type: none"> ■ Maak de knop voor de snelle aanpassing van de kettingspanning minstens twee slagen tegen de klok in los en draai hem vervolgens met de klok mee vast totdat de ketting goed is gespannen. ■ Slijp de kettingtanden, doe dit aan de hand van de alinea „HOE WORDEN DE TANDEN GESLEPEN“. ■ Monteer de zaagketting weer, volg hiervoor de instructies in alinea „MONTAGE/VERVANGEN VAN HET ZWAARD EN DE KETTING“. ■ Vervang de zaagketting, volg hiervoor de instructies in alinea „MONTAGE/VERVANGEN VAN HET ZWAARD EN DE KETTING“. ■ Controleer het oliepeil in de olietank. Vul de olietank indien nodig.
De ketting valt van het zaagblad.	<ul style="list-style-type: none"> ■ Onvoldoende kettingspanning. ■ De ketting heeft geen contact met het tandwiel. 	<ul style="list-style-type: none"> ■ Maak de knop voor de snelle aanpassing van de kettingspanning minstens twee slagen tegen de klok in los en draai hem vervolgens met de klok mee vast totdat de ketting goed is gespannen. ■ Bevestig de ketting weer, volg de instructies in alinea „MONTAGE/VERVANGEN VAN HET ZWAARD EN DE KETTING“. Zorg ervoor dat de aandrijfschakels op de ketting volledig over het tandwiel lopen.
Zaagblad en ketting lopen warm en roken.	<ul style="list-style-type: none"> ■ Kettingolie tank is leeg. ■ Er bevindt zich vuil in de groef van het zaagblad. 	<ul style="list-style-type: none"> ■ Smeermiddel van het zaagblad en de ketting bijvullen. ■ Verwijder het vuil in de groef.

GARANTIE

EGO GARANTIEBELEID

Bezoek alstublieft de website egopowerplus.com voor de volledige voorwaarden van het EGO garantiebeleid.

LÆS ALLE ANVISNINGER!



LÆS BRUGERVEJLEDNINGEN

⚠ Resterende risiko! Folk med elektroniske anordninger, såsom pacemakere, bør spørge deres læge(r) til råds, før de bruger dette produkt. Betjening af elektrisk udstyr i umiddelbar nærhed af et hjerte pacemaker kan forårsage forstyrrelser eller svigt af pacemakeren.

SIKKERHEDSSYMBOL

Formålet med sikkerheds- symboler er at tiltrække din opmærksomhed på mulige farer. Du bør være meget opmærksom på sikkerhedssymbolerne og forklaringerne til dem og lære at forstå dem. Symbolernes advarsler fjerner

ikke i sig selv eventuelle farer. De anvisninger og advarsler, de giver ingen erstatninger for ordentlig forebyggelse af ulykker foranstaltninger.

⚠ ADVARSEL: Sørg for at læse og forstå alle sikkerhedsanvisninger i denne brugsanvisning, inklusive alle sikkerhedssymboler, såsom **"FARE"**, **"ADVARSEL"** og **"FORSIGTIG"**, før du bruger dette værktøj. Hvis anvisningerne nedenfor ikke følges, kan det føre til elektrisk stød, brand og/eller alvorlig personskade.

SYMBOL BETYDNING

Denne side viser og beskriver sikkerheds- symboler, der kan vises på dette produkt. Læs, forstå, og følg alle anvisninger på maskinen, før du forsøger at samle og betjene den.

DK

SIKKERHEDSSYMBOLER



Sikkerhed Alert



Wear Eye Protection



Brug hovedbeskyttelse



Savsværd



Spidsen af savsværdet kan slå tilbage



Må ikke udsættes for regn.



Elektriske affaldsprodukter må ikke bortskaffes sammen med husholdningsaffald. Bring det til en godkendt genbrugsplads.

V

Volt



Direct Current



For at reducere risikoen for skader, skal brugeren læse og forstå brugsanvisningen før du bruger dette produkt.



Brug høreværn



Brug beskyttelseshandsker



Kædesaven må ikke bruges med en hånd



Brug altid kædesaven med to hænder



Pas på med tilbageslag og undgå kontakt med spidsen



Støj


min⁻¹

Omdrejninger per minut



CE

SPECIFIKATIONER

Spænding	56 V 	
Anbefalet driftstemperatur:	-15°C-40°C	
Anbefalet opbevaringstemperatur:	-20°C-70°C	
Optimal opladning Temperatur	5 °C-40 °C	
Kædehastighed	20 m/s	
Kædedeling	9,5 mm	
Kædemåler	1,3 mm	
Savkædetype	91PX062X 90PX056X 90PX052X	
Sværdtype	180SDEA041 164MLEA041 144MLEA041	
Kapacitet på oliebeholderen til kæden	200 ml	
Vægt (uden batteripakke, kædehylster)	4,4kg	
Målt lydeffektniveau L_{WA}	103,53 dB(A) K=1,17 dB(A)	
Lydtryk ved brugerens øre L_{PA}	92,53 dB(A) K=3,0 dB(A)	
Garanteret lydeffekt L_{WA} (i henhold til 2000/14/EF)	105 dB(A)	
Vibration a_h	Forreste håndtag	5,158 m/s ² K=1,5 m/s ²
	Bageste håndtag	5,537 m/s ² K=1,5 m/s ²

- Den deklarerede vibrationer samlede værdi er målt i overensstemmelse med en standard testmetode og kan anvendes til at sammenligne et værktøj med et andet;
- Den samlede angivne værdi for vibrationer kan også anvendes ved en foreløbig vurdering af eksponeringen.

BEMÆRK: vibrationer emission ved faktisk brug af elværktøjet kan afvige fra den angivne værdi, hvor værktøjet anvendes; For at beskytte operatøren, bør brugeren bære handsker og hørevern i de faktiske brugsforhold.

BESKRIVELSE

GØR DIG BEKENDT MED DIN MOTORSÅV (fig. 1)

- Hul til smøring
- Savsværd

- Savkæde
- Dæksel til olietank
- Kædebremsehåndtag
- Forreste håndtag
- Knap til frigørelse af batteri
- Låseknap
- Gashåndtag
- Elektriske kontakter
- Udløsermekanisme
- Vindue til olietjek
- Bageste håndtag
- LED-knap
- Forlygter
- Afkortningskam
- Knop til hurtig justering af kædespændingen
- Sidebeslag
- Kædehylster

PAKKELISTE

RESERVEDELENS NAVN	ANTAL
Motorhus	1
Savkæde	1
Sværd	1
Kædehylster	1
Brugervejledning	1

SAMLING

MONTERING/UDSKIFTNING AF SVÆRDET OG KÆDEN

⚠ ADVARSEL: Sæt kæde-tilbageslag bremsehåndtaget på bremsepositionen inden samling.

- Læg motorhuset på siden med sidebeslaget vendt opad (fig. 2).
- Drej knoppen til hurtig justering af kædespændingen mod uret, og tag sidebeslaget af.
- Læg den nye savkæde i en løkke på en plan flade, og ret alle knæk ud.
- Sæt kæden på rillen på sværdet, og sørg for at kæden danner en løkke på bagsiden af sværdet (fig. 3).

3-1	Kædeled
3-2	Rille på savsværdet

- Hold kæden på plads på sværdet, og sæt kædeløkken omkring tandhjul på motorhuset (fig. 4).

BEMÆRK: Savkæden og motorhuset har indgraveret små retningspile. Når savkæden føres omkring sværdet, skal du sørge for at retrningen på pilene på savkæden passer med retrningen af pilen på motorhuset.

- Sæt sidebeslaget på, og spænd knoppen til hurtig justering af kædespændingen. Gearet i sidedækslet er designet til at sikre, at kæden ikke spændes for meget
- Sæt kædebremsehåndtaget på driftsindstillingen, og drej derefter kæden med hånden for at se, om kæden er sat ordentligt på og ikke binder. Eller skal du samle kæde og sværdet igen.

BEMÆRK: Der er en justeringsplade forbundet til sværdet med en skrue. Hvis sværdet skal skiftes, skal du skrue justeringspladen af sværdet, og skru den derefter på det nye sværd, som vist i fig. 5.

BETJENING

ANVENDELSE

Dette produkt er beregnet til almindelig fældning, afkvistning, beskæring og savning af træstammer og træer.

BEMÆRK: Værktøjet må kun bruges til dets tilsigtede formål. Enhver anden anvendelse anses for at være et tilfælde af misbrug

PÅSÆTNING / AFTAGNING BATTERIPAKKEN

Fuld opladning før første brug.

Produktet må kun bruges med EGO's batteripakker og opladere, der er anført nedenfor:

BATTERI	OPLADER
BA1120E, BA2240E, BA1400, BA2800, BA3360, BA4200, BA1400T, BA2800T, BA4200T, BA5600T	CH2100E, CH5500E

Påsætning

Flugt batteriets ribber med monteringsnoterne, og tryk batteriet ned, indtil du hører et "klik" (fig. 6).

Aftagning

Tryk på knappen til batteriudløseren, og træk batteripakken ud (fig. 7).

FORLYGTER

Forlygterne (fig. 1-15) sidder på forsiden af motorsavens motorhus. Disse giver mere lys for bedre synlighed, og har 2 lysstyrker.

For at tænde for lygterne, skal du trykke på LED-knappen (fig. 1-14). Forlygterne giver skarpt lys foran motorsaven. Tryk på LED-knappen igen, for at skrue op for lysstyrken.

Tryk på LED-knappen en tredje gang, for at slukke forlygterne.

SÅDAN STARTES/STOPPES MOTORSAVEN Inden motorsaven startes

BEMÆRK: Inden motorsaven startes, skal du tjekke kædespændingen og olieniveaue, samt hvor skarpe tænderne på kæden er og om bremsehåndtaget virker. Du skal desuden have et godt fodfæste og holde en korrekt afstand fra jorden.

Sådan startes motorsaven

- Slå kædebremsehåndtaget til, ved at trække det mod det forreste håndtag.
- Tag ordentligt fat i forreste og bageste håndtag med begge hænder.
- Hold låseknappen nede, og tryk derefter på gashåndtaget, for at starte saven. Kædens hastighed forøges, når der trykkes på gashåndtaget.
- Slip låseknappen, men hold fortsat gashåndtaget nede, for at holde motorsaven i gang.

Sådan holder du et korrekt greb om håndtagene (fig. 8)

- Brug skridsikre handsker, så du får et maksimalt greb og beskyttelse.
- Hold fast med begge hænder med saven på en stabil og flad overflade.
- Tag altid fast i det forreste håndtag med venstre hånd og i det bageste håndtag med højre hånd.
- Fingrene skal omringe håndtaget, med tommelfingeren under det forreste håndtag.

⚠ ADVARSEL: Brug aldrig et venstrehåndsgreb (kejthåndet). Og stå aldrig på måde, som ville placere din krop eller arm i savelinjen (fig. 9).

Ordentlig holdning under brug (fig. 10)

- Stå med begge ben fast på jorden, med din vægt fordelt jævnt på begge fødder.
- Venstre arm skal være lige, med albuen låst. Dette hjælper til at modstå kræfterne, der genereres ved et tilbageslag.
- Din krop skal altid være til venstre for savelinjen.

DK

SAVNING

Grundlæggende savning

- Førstegangsbrugere skal øve sig på at save bjælker på en savhest eller stativ
- Sav i træet, ved at trykke sværdet let mod træet. Tryk kun let, og lad saven gøre arbejdet
- Sørg for, at holde en sikker hastighed, når du saver. Og slip gassen lige før, du er færdig med at save.

⚠ ADVARSEL: Hvis motorsaven kommer i klemme og stopper, skal du slippe gashåndtaget, og tag derefter motorsaven ud af træet, inden den startes igen.

DK

⚠ ADVARSEL: Træk ikke i savkæden med hånden, hvis den sidder fast.

⚠ ADVARSEL: Motorsaven må aldrig startes, når den er i kontakt med træ. Sørg altid for at motorsaven kører med fuld hastighed, inden du begynder at save.

SÅDAN FÆLDES ET TRÆ

- Når to eller flere personer arbejder i samme område, hvor træ fældes og træstammer saves over, skal træet fældes mindst to træ-længder væk fra stedet, hvor bukkene bruges. Træer må ikke fældes på en måde, der bringer andre personer i fare, ramme elkabler eller på nogen måde skade ejendomme. Hvis træet rammer nogen elkabler, skal elselskabet straks underrettes.
- Brugeren af motorsaven skal stå på den øverste del af skråningen, da træet sandsynligvis ruller eller glider ned ad skråningen, når det fældes.
- Sørg for der er en fri gang, hvor man kan komme væk fra træet, inden træet fældes. Gangen skal være lige og gå i modsat retning af, hvor træet regnes med at falde, som vist i fig. 11.

11-1	Fælderetning
------	--------------

- Inden træet fældes, skal du se hvilken retning træet hælder til, hvor de større grene sidder på træet og i hvilken retning vinden blæser, så du kan vurdere, hvilken retning træet vil vælte i.
- Fjern jord, sten, løs bark, søm, hæfteklammer og kabler fra træet.

Udskæring ved undersnit

Lav en udskæring 1/3 ind i træstammen i retningen, som træet skal falde, som vist på billede i fig. 12. Lav først den nederste vandrette udskæring. Dette reducerer chancen for at savkæden eller sværdet sidder fast, når den anden udskæring laves.

Fældning med bagsnit

- Lav fældesnippet mindst 50 mm over det vandrette udskæring, som vist i fig. 12-3.

12-1	Falderetning	12-3	Fældning med bagsnit
12-2	Udskæring	12-4	Hængsel

Sørg for at fældesnippet er parallelt med den vandrette udskæring. Lav fældesnippet, så det resterende træ virker som et form for hængsel. Hængseltræet holder træet fra at dreje, og derved falde i den forkerte retning. Hængseltræet må ikke skræres over.

- Når fældningen kommer tæt på hængslet, begynder træet at falde. Hvis der er chance for, at træet ikke falder i den ønskede retning eller hvis det begynder at læne i den forkerte retning og fastklemmer saven, skal du holde op med at save. Brug i stedet for kiler af træ, plast eller aluminium til at åbne snittet, så træet begynder at hælde eller falder i den rigtige retning.
- Når træet begynder at falde, skal du tage motorsaven ud af snittet, stoppe den og sætte den på jorden. Gå derefter væk fra træet via den planlagte gang. Hold øje med det faldende træ, og hvor du går.

Afkvistning af træ

Afkvistning er når man saver grenene af det fældet træ. Når du afkvister, skal du efterlade større grene foruden, som kan holde stammen over jorden. Sav de små grene af i et snit, som vist på i fig. 13. Grene, der er under spænd, skal saves over fra undersiden, så saven ikke kommer i klemme.

Opskæring af træstammer

- Opskæring er når man saver en træstamme i stykker. Det er vigtigt at dit du har et godt fodfæste, og at din vægt er fordelt jævnt på begge fødder. Træstammen skal hæves og støttes, enten med bukke, andre træstammer eller træklodser, hvis muligt. Følg de enkle anvisninger for nem opskæring.
- Hvis hele træstammen er støttet, som vist i fig. 14, saves den først over i toppen (snit for oven).
- Hvis træstammen er støttet i den ene ende, som vist i fig. 15, skal du lave et snit ca. 1/3 ind i stammen fra undersiden.
- (Snit fra undersiden). Sav derefter resten af stammen over fra oven, og ned til det første snit.
- Hvis træstammen er støttet i begge ender, som vist i fig. 16, skal du lave et snit ca. 1/3 ind i stammen fra oversiden. Sav derefter resten af stammens 2/3 over fra undersiden, og op til det første snit.
- Hvis træstammen saves over på en skråning, skal du

altid højere op end træstammen, som vist i fig. 17.

- Hvis stammen skal saves helt over på en gang, skal du trykke mindre, når stammen er ved at være savet over, uden at afslappe dit greb. Undgå, at kæden røre ved jorden. Når stammen er savet over, skal du vente indtil den er stoppet helt, inden den flyttes. Motoren skal altid stoppes, inden du går videre med næste træ.

VEDLIGEHOLDELSE

SÅDAN PÅFYLDES OLIEBEHOLDEREN TIL SMØRING AF SAVSVÆRDET OG KÆDEN

BEMÆRK: Motorsav er ikke fyldt med olie, når den købes. Der skal fyldes olie på motorsaven inden brug. Kæden smøres automatisk med kædeolien, når saven bruges.

1. Læg motorsaven på siden med dækslet til oliebeholderen mod dig selv.
2. Rengør dækslet, samt området omkring det, og drej det derefter mod uret for at tage det af (fig. 18).
3. Hæld forsigtigt olien i beholderen op til filterhalsen.
4. Tør eventuelle olierester af, og sæt dækslet på igen.

BEMÆRK: Når motorsaven vender rigtigt, skal olien fylde ruden. Når du ikke længere kan se nogen olie i ruden, skal du holde op med at bruge motorsaven, og fylde olie på den.

RENGØRING

- Efter hver brug, skal kæden og savsværdet rengøres for rester med en blød børste. Tør motorsavens overflade af med en ren klud, fugtet med en mild sæbeopløsning.
- Fjern sidebeslaget, og brug derefter en blød børste til at fjerne snavs fra sværdet, kæden, tandhjulet og sidebeslaget.
- Rengør altid rillen på savsværdet for træflis, savsmuld og skidt, inden savkæden sættes på.

VEDLIGEHOLDELSE AF SAVSVÆRDET

Når sværdet viser tegn på slid, skal det tages af motorhovedet og vendes om (fig. 19). På denne måde slides sværdet på begge sider, så det holder længere.

Sværdet skal rengøres hver dag efter brug, og ses efter for slid og skader. Udtynding og afgratning på rillen af sværdet er et normal tegn på slid. Sådanne fejl skal jævnes ud med en fil, så snart de opstår. Et sværd med en af følgende fejl, skal skiftes.

- Slid på indersiden af rillen på sværdet, som får kæden til at køre skævt.

- Et bøjet sværd.
- Revnede eller ødelagte riller.
- Udvidede riller.

Derudover har sværdet et tandhjul på spidsen (fig. 20-1). Tandhjulet skal smøres ugentligt med en fedtsprøjte, så dets levetid forlænges (fig. 21). Brug ugentligt en fedtsprøjte til at smøre med kædeolie via smøringshullet (fig. 20-2). Drej sværdet og sørg for at smørehullerne og kæderillen er fri for urenheder.

VEDLIGEHOLDELSE AF KÆDEN

Brug kun kæder, der reducerer chancen for tilbageslag. Den hurtige savkæde reducerer chancen for tilbageslag, når den vedligeholdes ordentligt.

En ordentlig slebet kæde kan nemt save gennem træ, også uden meget pres. Brug aldrig en nedslidt eller beskadigede savkæde. En nedslidt kæde øger den fysiske belastning, får motorsaven til at vibrere mere og save dårligere, og slider mere på motorsaven.

For nem og hurtig skæring, skal kæden vedligeholdes ordentligt. Kæden skal slibes, hvis træfliserne bliver små og ligner savsmuld, hvis motorsaven skal tvinges gennem træet eller hvis motorsaven saver til den ene side. Når kæden vedligeholdes, skal du holde øje med følgende:

- Forkert slibeinkel på sidepladen kan øge risikoen for alvorlige tilbageslag.
- Indstilling af dybdemåleren. Hvis den er for lav, øges risikoen for tilbageslag. Hvis den er for høj, reduceres saveevnen.
- Hvis skæretænderne har ramt hårde genstande, såsom søm eller sten, eller er blevet slidt af mudder eller sand på træet, skal kæden slibes af en kvalificeret servicetekniker.

TRANSPORT OG OPBEVARING

- Motorsaven må ikke opbevares eller transporteres, når den kører. Batteripakken skal altid tages ud, inden motorsaven gemmes væk og transporteres.
- Sæt altid skeden på sværdet og hylsteret på kæden, inden motorsaven gemmes væk eller transporteres. Vær forsigtig med ikke at røre de skarpe tænder på kæden.
- Rengør motorsaven grundigt før opbevaring. Motorsaven skal opbevares indendørs på et tørt sted, der er låst og/eller utilgængelige for børn.
- Holdes væk fra ætsende stoffer, såsom havekemikalier og vejsalt.

DK

Beskyttelse af miljøet



WEEE (Bortskaffelse af elektrisk og elektronisk udstyr)

Elektrisk udstyr, batterioplader og batterier må ikke smides ud sammen med almindelig husholdningsaffald! Tag dette produkt til en autoriseret genbrugsplads, og sørg for at det sendes til genbrug. Elektriske værktøjer skal returneres til et miljøkompatibelt genvindingsanlæg.

DK

FEJLFINDING

PROBLEM	ÅRSAG	LØSNING
Motoren kører ikke.	<ul style="list-style-type: none"> ■ Batteripakken er ikke sat i motorsaven. ■ Der er ingen elektrisk kontakt mellem saven og batteriet. ■ Batteriet er afladet. ■ Batteripakken eller motorsaven er for varm. ■ Kædebremsen er aktiveret. ■ Skidt i rillen på savsværdet. ■ Snavs i sidebeslaget. 	<ul style="list-style-type: none"> ■ Sæt batteripakken i motorsaven. ■ Fjern batteriet, kontrollér kontakter, og sæt batteriet på igen. ■ Oplad batteripakken. ■ Lad batteripakken eller motorsaven køle ned, indtil temperaturen kommer under 67 °C. ■ Træk kædebremshåndtaget tilbage mod det forreste håndtag, så det sidder i driftsindstillingen. ■ Tryk motorsaven mod træet, og ryk den frem og tilbage, så skidtet kommer ud. ■ Tag batteripakken ud, og tag derefter sidebeslaget af og rengør evt. skidt.
Motorsaven holder op med, at køre under arbejdet.	<ul style="list-style-type: none"> ■ Motorsaven overbelastet. ■ Batteripakken eller motorsaven er for varm. ■ Savkæden sidder fast i træet. 	<ul style="list-style-type: none"> ■ Reducer belastningen. ■ Reducer belastningen. Lad batteripakken eller motorsaven køle ned, indtil temperaturen kommer under 67 °C. ■ Slip gashåndtaget. Tag savkæden og savsværdet ud af træet. Start derefter motorsaven igen.
Motoren kører, men kæden kører ikke rundt.	<ul style="list-style-type: none"> ■ Kæden kører ikke på tandhjulet. ■ Snavs forhindrer kædebremsehåndtaget i at kunne bevæges. ■ Mulig funktionsfejl på kædebremsen. 	<ul style="list-style-type: none"> ■ Sæt kæden på igen, og sørg for at leddene på kæden sidder ordentligt på tandhjulet. ■ Snavs forhindrer kædebremsehåndtaget i at kunne bevæges. ■ Kontakt EGO's kundeservice for reparation.

DK

PROBLEM	ÅRSAG	LØSNING
Motorsaven saver ikke ordentligt.	<ul style="list-style-type: none"> ■ Kæden er ikke strammet ordentligt. ■ Kæden er døv. ■ Kæden er sat omvendt på. ■ Kæden er slidt. ■ Kæden er tør eller sidder for stramt. 	<ul style="list-style-type: none"> ■ Løsn knoppen til hurtig kædespænding, ved at dreje den mindst to omgange mod uret, og stram den derefter helt ved at dreje den med uret, indtil kæden er ordentligt spændt. ■ Slib tænderne på kæden i henhold til vejledningerne i afsnittet “SÅDAN FILES SAVTÆNDERNE”. ■ Sæt savkæden på igen iht. afsnittet “MONTERING/UDSKIFTNING AF SVÆRDET OG KÆDEN”. ■ Fjern batteripakken, og sæt kæden på igen iht. afsnittet “MONTERING/UDSKIFTNING AF SVÆRDET OG KÆDEN”. ■ Tjek olieniveauet i oliebeholderen. Fyld olie på, hvis nødvendigt.
Kæder falder af sværdet.	<ul style="list-style-type: none"> ■ Kæden er ikke strammet ordentligt. ■ Kæden kører ikke på tandhjulet. 	<ul style="list-style-type: none"> ■ Løsn knoppen til hurtig kædespænding, ved at dreje den mindst to omgange mod uret, og stram den derefter helt ved at dreje den med uret, indtil kæden er ordentligt spændt. ■ Sæt kæden på igen iht. afsnittet «MONTERING/UDSKIFTNING AF SVÆRDET OG KÆDEN», og sørg for at leddene på kæden sidder ordentligt på tandhjulet.
Savsværdet og kæden bliver varm og ryger.	<ul style="list-style-type: none"> ■ Der er ikke mere olie i oliebeholderen. ■ Snavs i rillen på savsværdet. 	<ul style="list-style-type: none"> ■ Sørg for at der er nok smøremiddel til savsværdet og kæden. ■ Fjern snavs i rillen.

GARANTI

EGO GARANTI POLITIK

Besøg venligst hjemmesiden egopowerplus.com for fuldstændige vilkår og betingelser for EGO's garantipolitik.

LÄS IGENOM ALLA INSTRUKTIONER!



LÄS IGENOM BRUKSANVISNINGEN

⚠ Dolda risker! Personer med elektroniska enheter såsom pacemaker skall rådfråga sin läkare innan denna produkt används. Användning av elektronisk utrustning i närheten av en pacemaker kan orsaka störningar eller fel på pacemakern.

SÄKERHETSSYMBOL

Syftet med säkerhetssymboler är att uppmärksamma eventuella faror. Säkerhetssymbolerna och förklaringarna av dessa kräver din fullständiga uppmärksamhet och

förståelse. Symbolvarningarna i sig eliminerar inte några faror. Instruktionerna och varningarna som ges är inte något substitut för korrekta åtgärder för förhindrande av olyckor.

⚠ VARNING: Var noga med att läsa och förstå alla säkerhetsinstruktioner i denna bruksanvisning, inklusive alla varningssymboler som t.ex. **"FARA!"**, **"VARNING!"** och **"FÖRSIKTIGHET!"** innan du använder detta verktyg. Underlåtenhet att läsa alla instruktioner som listas nedan kan resultera i elektrisk stöt, brand och/eller allvarlig personskada.

SYMBOLBETYDELSE

Denna sida framställer och beskriver säkerhetssymboler som kan visas på denna produkt. Läs igenom, förstå och följ alla instruktioner på maskinen innan försök görs att montera och hantera den.

SE

SÄKERHETSSYMBOLER



Säkerhetslarm



Använd ögonskydd



Använd skyddshjälm



Svärd



Svärd spetsrekyll



Utsätt den inte för regn.



Förbrukade elektriska produkter får inte kastas i hushållssoporna. Lämna in dem till en auktoriserad återvinningsstation.

V Volt



Likström



För att minska risker för skador måste användare läsa igenom och förstå bruksanvisningen innan denna produkt används.



Använd hörselskydd



Använd skyddshandskar



Använd inte kedjesågen med bara en hand



Använd alltid kedjesågen med båda händerna



Var medveten om kedjesågens rekyler och undvik kontakt med svärdsspetsen




Brus

min⁻¹ Varv per minut

CE

SPECIFIKATIONER

Spänning	56 V 	
Rekommenderad användningstemperatur:	-15°C-40°C	
Rekommenderad förvaringstemperatur:	-20°C-70°C	
Optimal laddningstemperatur	5 °C-40 °C	
Kedjehastighet	20 m/s	
Kedjedelning	9,5 mm	
Kedjemått	1,3 mm	
Sågkedjetyp	91PX062X 90PX056X 90PX052X	
Svärdtyp	180SDEA041 164MLEA041 144MLEA041	
Kapacitet kedjeoljetank	200 ml	
Vikt (utan batteripaket, kedjeöverdrag)	4,4kg	
Uppmätt ljudeffektnivå L_{WA}	103,53 dB(A) K=1,17 dB(A)	
Ljudtrycksnivå vid operatörens öra L_{PA}	92,53 dB(A) K=3,0 dB(A)	
Garanterad ljudeffektnivå L_{WA} (enligt 2000/14/EC)	105 dB(A)	
Vibration a_h	Främre handtag	5,158 m/s ² K=1,5 m/s ²
	Bakre handtag	5,537 m/s ² K=1,5 m/s ²

- Det deklarerade totala vibrationsvärdet har uppmätts i enlighet med en standardtestmetod och kan användas för att jämföra ett verktyg med ett annat.
- Det deklarerade totala vibrationsvärdet kan också användas i en preliminär utvärdering av exponeringen.

OBS! Vibrationsutstrålningen under verklig användning av elverktyg kan skilja sig från det deklarerade värdet i vilken verktyget används. För att skydda användaren skall skyddshandskar och hörselskydd användas under faktiska användningsförhållandet.

BESKRIVNING

LÄR KÄNNA DIN KEDJESÅG (Fig. 1)

1. Smörjhål

2. Svärd
3. Sågkedja
4. Oljetankslock
5. Bromshandtag kedjerekyl
6. Främre handtag
7. Batterilåsknapp
8. Startspärr
9. Avtryckare för variabel hastighet
10. Elektrisk kontakt
11. Utmatningsmekanism
12. Oljeinspektionsfönster
13. Bakre handtag
14. LED-knapp
15. LED-strålkastare
16. Spikar för aptering
17. Utstickare för inställning av kedjespänningen
18. Sidokåpa
19. Kedjeöverdrag

PACKLISTA

ARTIKELNAMN	KVANTITET
Kedjesåg drivenhet	1
Sågkedja	1
Svärd	1
Kedjeöverdrag	1
Bruksanvisning	1

MONTERING

MONTERING/BYTE AV SVÄRDET OCH KEDJAN

⚠ VARNING: Ändra kedjans rekylbromshandtag till bromsat läge innan montering.

1. Placera kedjesågens drivenhet på sidan med sidans kåpa riktad uppåt (Fig. 2).
2. Ta bort sidokåpan genom att vrida sidokåpan vred moturs.
3. Lägg den nya kedjan i en loop på en plan yta och räta ut alla knutar.
4. Placera kedjedrivlänken på svärdspåren och gör en lopp med kedjan på baksidan av svärdet (Fig. 3).

3-1	Kedjedrivränkar
3-2	Svärdsspår

- Håll kedjan i positionen på svärdet och placera loopen runt kuggen på drivenheten (Fig. 4).

OBS! Små riktningsskivor är ingraverade i sågkedjan och drivenheten. När kedjan dras på svärdet ska du se till att riktningsskivorna på sågkedjan motsvarar pilens riktning på drivenheten.

- Sätt tillbaka sidokåpan och dra åt utstickaren för inställning av kedjespänningen. Excenterlåset inuti sidokåpan är utformat för att säkerställa att kedjan inte blir överspänd
- Justera rekylbromshandtaget i arbetsläget och vrid sedan kedjan för hand för att kontrollera om kedjan är ordentligt monterad utan bindning. I annat fall ska du montera tillbaka kedjan och stängan.

OBS! Det finns en justeringsplatta kopplad med en skruv till svärdet. Om svärdet behöver bytas, demontera justeringsplattan från svärdet och montera den på det nya svärdet enligt bild 5.

ANVÄNDNING

ANVÄNDNING

Du kan använda denna produkt för att fälla, kvistning, beskärning och träsågning av timmer och träd.

OBS! Verktyget får enbart användas för det föreskrivna ändamålet. All annan användning betraktas som missbruk

FÄST/TA LOSS BATTERIPAKETET

Ladda fullt innan första användning.

Använd endast EGO:s batteripack och laddare som är med i listan nedan:

BATTERI	LADDARE
BA1120E, BA2240E, BA1400, BA2800, BA3360, BA4200, BA1400T, BA2800T, BA4200T, BA5600T	CH2100E, CH5500E

Fästa

Rikta in listerna på batteriet med monteringsspårerna och tryck sedan ner batteripaketet tills du hör ett "klick" (Fig. 6).

Ta bort

Tryck in frigöringsknappen för batteriet och dra sedan ut batteripaketet (Fig. 7).

LED-STRÅLKASTARE

LED-strålkastaren (Fig. 1-15) är placerad i den främre delen av kedjesågens drivenhet. Denna funktion ger extra ljus för ökad sikt och kan justeras till 2 ljusstyrkenivåer.

För att slå på lamporna tryck en gång på LED-knappen (Fig. 1-14). Strålkastarna ger starkt ljus framför kedjesågen. Tryck på LED-knappen en andra gång och strålkastarna lyser ljusare.

För att slå av strålkastarna tryck på LED-knappen en tredje gång.

STARTA/STOPPA KEDJESÅGEN

Innan kedjesågen startas

OBS! Innan kedjesågen startas, kontrollera oljenivån, sågtändernas skärpa och att rekylbromshandtaget fungerar korrekt. Dessutom behövs ett stadigt fotfäste och korrekt avstånd från marken.

SE

Starta

- Dra kedjans rekylbromshandtag mot fronthandtaget till driftläget
- Ta ett fast tag i främre och bakre handtaget, använd båda händerna.
- Tryck ned och håll nere låsknappen, tryck sedan in avtryckaren för variabel hastighet för att starta. Kedjans hastighet ökar med ökat tryck på avtryckaren för variabel hastighet.
- Släpp låsknappen och fortsätt att klämma in avtryckaren för variabel hastighet för fortsatt drift.

Korrekt grepp på handtagen (Fig. 8)

- Använd halkfria handskar för maximalt grepp och skydd.
- Håll fast sågen med båda händerna på en fast och plan yta.
- Greppa alltid främre handtaget med vänster hand och det bakre handtaget med den högra.
- Fingrarna skall omsluta handtaget med tummen lindad under främre handtaget.

⚠ VARNING: Använd ett vänsterhandsgrepp (korsade händer) eller någon ställning som placerar kroppen eller händerna över kedjelinjen (Fig. 9).

Korrekt såghållning (Fig. 10)

- Båda fötterna skall stå på ett fast underlag med vikten jämnt fördelad mellan fötterna.
- Vänster arm skall vara rak med armbågen låst. Detta hjälper till att stå emot de krafter som genereras av en rekyl.
- Kroppen skall alltid vara till vänster om kedjelinjen.

BESKÄRNING

Grundläggande beskärning

- För förstagångsanvändare, öva på sågning av stockar på en sågbock eller vagg.
- Börja beskära genom att trycka lätt med svärdet på virket. Använd bara ett lätt tryck, låt sågen göra arbetet
- Håll en jämn hastighet genom hela snittet och släpp trycket strax innan snittet är slut.

⚠ VARNING: När sågkedjan stoppas på grund av att den kläms fast under kapningen, släpp avtryckaren, ta bort sågkedjan och svärdet från trädet och starta om kedjesågen.

⚠ VARNING: Dra inte sågkedjan med handen när den är sitter fast med sågsån.

⚠ VARNING: Starta aldrig kedjesågen när den har kontakt med trät. Låt alltid kedjesågen nå full hastighet innan sågen placeras mot trät.

FÄLLA ETT TRÄD

- Vid kapnings- och fällningsarbeten utförs av två eller fler personer samtidigt, skall fällningsarbetet vara åtskilt från kapningsarbetet med minst två gånger höjden på det träd som fälls. Träd skall inte fällas på ett sådant sätt som kan utsätta någon person för fara, träffa någon luftledning eller skada egendom. Om trädet kommer i kontakt med någon luftledning skall företaget meddelas omedelbart.
- Kedjesågens användare skall stå på ovsidan i terrängen då trädet mest troligt kommer att rulla eller glida nedåt efter att det fällts.
- En reträttväg skall planeras och rensas om så behövs innan kapningen startas. Reträttvägen skall vara bakåt och diagonalt mot baksidan av den förväntade fallinjen såsom Fig. 11 visar.

11-1	Fällriktning
------	--------------

- Innan fällningen startar titta på den naturliga lutningen av trädet, placeringen av större grenad och vindriktningen för att avgöra åt vilket håll trädet kommer att falla.
- Ta bort smuts, stenar, lös bark, spikar, häftor och ledningar från trädet.

Skärning underkapning

Gör skåran 1/3 av trädets diameter, i rät vinkel mot riktning som trädet fälls såsom illustreras i fig. 12. Gör den nedre horisontella skåran först. Detta hjälper till att undvika klämning av antingen sågkedjan eller svärdet när den andra skåran görs.

Fällningskapning

- Gör fällningskapningen minst 50 mm högre än den horisontella skärsågningen såsom Fig. 12-3 visar.

12-1	Fällriktning	12-3	Fällningskapning
12-2	Skåra	12-4	Gångjärn

Håll fällningskapningen parallellt mot det horisontella skärsågningen. Gör fällningssågningen så långt så att tillräckligt med trä finns kvar att fungera som ett gångjärn. Gångjärnsträt förhindrar att trädet vrider sig och faller i fel riktning. Såga inte igenom gångjärnet.

- När fällskäret närmar sig gångjärnet börjar trädet att falla. Upphör omedelbart att såga innan fällningssnittet är klart om det finns risk för att trädet inte faller i önskad riktning eller risk för att trädet gungar och bryter av sågkedjan. Använd sedan kilar av trä, plast eller aluminium för att öppna fällningssnittet och fälla trädet i önskad fallinje.
- När trädet börjar att falla, ta bort kedjesågen från kapstället, stoppa motorn, lägg ned kedjesågen och använd den planerade reträttvägen. Var uppmärksam på grenar över huvudet och se upp med fotplaceringen.

Kvista ett träd

Kvistning är borttagning av grenar från ett träd som fällts. Vid kvistning lämna större kvistar för att stödja stocken från marken. Ta bort de mindre kvistarna i en kapning såsom Fig. 13 visar. Spända grenar ska skäras från undersidan och uppåt för att undvika att kedjan fastnar.

Kapa en stock

- Kapning är att såga ett fällt träd i längder. Det är viktigt att se till att du har ett bra fötteste och att vikten är jämnt fördelad på båda fötterna. När så är möjligt skall stocken lyftas och stödjas med hjälp av grenar, kvistar eller klossar. Följ de enkla direktiven för enkel kapning.
- När en stock stöds längs dess hela längd såsom
- Fig. 14 visar, kapas den från ovsidan (överkapning).
- När stocken stöds i ena änden, såsom Fig. 15 visar, kapa 1/3 av diametern från undersidan
- (underkapning). Gör sedan den slutliga kapningen med överkapning för att möta den första sågningen.
- När stocken stöds i båda ändarna, såsom Fig. 16 visar, kapa 1/3 av diametern från ovsidan (överkapning). Gör sedan den slutliga kapningen med underkapning den nedre 2/3 för att möta den första sågningen.
- Vid kapning i en sluttning stå alltid ovanför stocken såsom Fig. 17 visar.
- Vid "genomkapning", för att bibehålla fullständig kontroll

lossa på sågtrycket nära änden på sågningen utan att släppa greppet om kedjesågens handtag. Låt inte kedjan komma i kontakt med marken. När sågning är klar, vänta tills sågkedjan stannar innan du flyttar kedjesågen. Stoppa alltid motorn innan du flyttar mellan träden.

UNDERHÅLL

FYLLA PÅ SVÄRD OCH KEDJA MED SMÖRJMEDEL

OBS! Kedjesågen är inte fylld med olja vid köpet. Det är väsentligt att fylla tanken med olja före användning. Kedjan smörjs automatiskt med kedjeolja under arbetet.

1. Placera kedjesågen på sidan med oljetankens lock riktad uppåt.
2. Rengör locket samt området runt denna och vrid sedan en moturs för att ta bort den (Fig. 18).
3. Håll försiktigt i den speciellt avsedda oljan i tanken tills den når botten av filterhalsen.
4. Torka bort överbliven olja och sätt tillbaka locket.

OBS! Med upprätt position bör oljan fylla inspektionsfönstret. När olja inte längre är synlig i inspektionsfönstret, sluta användningen omedelbart och fyll på olja.

RENGÖRING

- Efter varje användning, ta bort skräp från kedjan och svärdet med en mjuk borste. Torka av kedjesågens yta med en ren trasa fuktad med en mild tvålösning.
- Ta bort sidokåpan och använd sedan en mjuk borste för att ta bort skräp från svärdet, sågkedjan, kedjehjulet och sidokåpan.
- Rensa alltid bort träspån, sågspån och smuts från svärdets spår när sågkedjan byts.

UNDERHÅLL AV SÅG SVÄRDET

När svärdet visar tecken på slitage, ska du demontera det från kedjesågens drivenhet och vända det för återmontering (fig. 19), i vilket fall den kommer att fördela slitaget för maximal livslängd.

Svärdet skall rengöras dagligen efter användning och kontrolleras om det är slitet. Skäggnings och gradning hos sågsvärdet är en normal process vid svärdsslitage. Sådana fel skall jämnas till med en fil så snart som de uppstår. Ett svärd med något av följande fel skall bytas ut.

- Slitage på insidan av svärdsspåren som låter kedjan glida över åt sidan.
- Böjt sågsvärd.
- Spräckta eller trasiga spår.
- Breddade spår.

Dessutom har svärdet en kugge på dess spets (Fig. 20-1). Kuggen måste smörjas veckovis med fettspruta för att öka svärdets livslängd F (Fig. 21). Använd en fettspruta för att smörja varje vecka med kedjeolja med hjälp av smörjhålet (Fig. 20-2). Vrid svärdet och kontrollera att smörjhålen och kedjespåret är fria från föroreningar.

UNDERHÅLLA KEDJAN

Använd endast lågrekylskedjor på denna såg. Den snabba sågkedjan kommer att ge reducerade rekyl när den underhålls korrekt.

En korrekt slipad sågkedja sågar lätt genom trä, även med mycket lite tryck. Använd aldrig en slö eller skadad sågkedja. En slö sågkedjekutter leder till ökad fysisk ansträngning, ökad vibrationsbelastning, osäker kapningsresultat och ökat slitage.

För smidig och snabb kapning behöver kedjan underhållas korrekt. Kedjan kräver slipning när träspånen är små och puderliknande, kedjan måste forceras genom trät under sågningen eller kedjan kapa åt ena sidan. Under underhåll av kedjan, tänk på följande:

- Felaktig slipvinkel på sidoplattan kan öka risken för allvarlig rekyl.
- Djupmätare. För låg ökar risken för potentiell rekyl. Inte tillräckligt låg minskar sågmöjligheten.
- Om sågtänderna träffat ett hårt föremål, såsom spikar eller stenar eller har skavt mot lera eller sand på träet, lämna kedjan för slipning hos en kvalificerad servicetekniker.

TRANSPORT OCH FÖRVARING

- Förvara inte eller transportera kedjesågen när den körs. Ta alltid bort batteripaketet innan förvaring och transport.
- Placera alltid svärdsskyddet på svärdet och kedjan innan förvaring eller transport av kedjesågen. Var försiktig för att undvika de vassa tänderna på kedjan.
- Rengör kedjesågen noga innan förvaring. Förvara kedjesågen inomhus på en torr plats som är låst och/eller oåtkomlig för barn.
- Håll den undan från korrosiva medel såsom trädgårdskemikalier och avsnings salt.

SE

Skydda miljön



WEEE (Waste Electrical and Electronic Equipment)

Kasta inte elektrisk utrustning, använt batteri och laddare i hushållssoporna! Ta denna produkt till en auktoriserad återvinnare och gör den tillgänglig för separat insamling. Elektriska verktyg måste returneras till en miljöanpassad återvinningsanläggning.

SE

FELSÖKNING

PROBLEM	ORSAK	LÖSNING
Motorn startar inte.	<ul style="list-style-type: none"> ■ Batteripaketet är inte fastsatt på batteripaketet på kedjesågen. ■ Ingen elektrisk kontakt mellan sågen och batteriet. ■ Batteriet är helt tomt. ■ Batteripaketet eller kedjesågen är för het. ■ Kedjebromsen är aktiverad. ■ Skräp i svärdsspåret. ■ Skräp i sidokåpan. 	<ul style="list-style-type: none"> ■ Sätt i batteriet i kedjesågen. ■ Ta ut batteriet, kontrollera kontaktarna och sätt sedan tillbaka batteripaketet. ■ Ladda batteripaketet. ■ Låt batteripaketet eller kedjesågen svalna tills temperaturen sjunker under 67 °C. ■ Dra kedjans rekylbromshandtag bakåt mot fronthandtaget tills drifttåget nås. ■ Tryck kedjesågen mot trät, flytta kedjesågen fram och tillbaka för att lossa skräpet. ■ Ta bort batteripaketet, ta sedan bort sidokåpan och rensa bort skräpet.
Kedjesågen stannar under arbetet.	<ul style="list-style-type: none"> ■ Kedjesågen är överbelastad. ■ Batteripaketet eller kedjesågen är för het. ■ Sågkedjan är klämd i trät. 	<ul style="list-style-type: none"> ■ Minska belastningen. ■ Minska belastningen. Låt batteripaketet eller kedjesågen svalna tills temperaturen sjunker under 67 °C. ■ Släpp avtryckaren, ta bort sågkedjan och svärdet från trät, starta sedan om kedjesågen.
Motorn körs men kedjan roterar inte.	<ul style="list-style-type: none"> ■ Kedjan kuggar inte in i drivkedjehjulet. ■ Skräp förhindrar fullständig rörelse hos kedjans rekylbromshandtag. ■ Möjligt funktionsfel hos kedjebromsen. 	<ul style="list-style-type: none"> ■ Installera om kedjan, se till att drivlänkarna på kedjan är helt isatt i kedjehjulet. ■ Skräp förhindrar fullständig rörelse hos kedjans rekylbromshandtag. ■ Kontakta EGO kundtjänst för hjälp.

SE

PROBLEM	ORSAK	LÖSNING
Kedjesågen sågar inte korrekt.	<ul style="list-style-type: none"> ■ Otillräcklig kedjespänning. ■ Slö kedja. ■ Kedjan installerad baklänges. ■ Sliten kedja. ■ Torr eller kraftigt sträckt kedja. 	<ul style="list-style-type: none"> ■ Lossa utstickaren för inställning av kedjespänningen minst två gånger, cirklar moturs först och dra sedan åt den medurs tills kedjan är korrekt spänd. ■ För att vässa skären följ avsnittet "SÅ HÅR VÄSSAR DU SKÄREN". ■ För att montera tillbaka sågkedjan, följ avsnittet "MONTERA/BYTA UT SVÅRDET OCH KEDJA". ■ För att byta ut sågkedjan, följ avsnittet "MONTERA/BYTA UT SVÅRDET OCH KEDJA". ■ Kontrollera oljenivån i oljebehållaren. Fyll på oljebehållaren om så behövs.
Kedjan faller av svärdet.	<ul style="list-style-type: none"> ■ Otillräcklig kedjespänning. ■ Kedjan kuggar inte in i drivkedjehjulet. 	<ul style="list-style-type: none"> ■ Lossa utstickaren för inställning av kedjespänningen minst två gånger, cirklar moturs först och dra sedan åt den medurs tills kedjan är korrekt spänd. ■ Installera om kedjan genom att följa "MONTERA/BYTA UT SVÅRDET OCH KEDJA" och se till att drivlänkarna på kedjan är helt isatt i kedjehjulet.
Svärdet och kedjan körs het och ryker.	<ul style="list-style-type: none"> ■ Kedjeoljetanken är tom. ■ Skräp i svärdsspåret. 	<ul style="list-style-type: none"> ■ Fylla på svärd och kedja med smörjmedel. ■ Rensa bort skräp från spåret.

SE

GARANTI

EGO GARANTIPOLICY

Besök webbsidan egopowerplus.com för fullständiga villkor för EGO garantipolicy.

LUE KAIKKI OHJEET!**LUE KÄYTTÖOPAS**

⚠ Jäännösriski! Henkilöiden, joilla on sydämentahdistin tai muu vastaava elektroninen laite, tulisi keskustella lääkärin kanssa ennen tämän tuotteen käyttöä. Sähkölaitteiden käyttö sydämentahdistimen lähetyillä saattaa häiritä tahdistimen toimintaa tai aiheuttaa vakavan toimintahäiriön.

TURVALLISUUSYMBOLIT

Turvallisuussymbolien tarkoituksena on kiinnittää huomiota mahdollisiin vaaroihin. Turvallisuussymbolit ja niiden selitykset on syytä lukea tarkkaan ja ymmärtää

TURVALLISUUSYMBOLIT

Turvallisuushälytys



Käytä silmäsuojaimia



Käytä suojakypärää



Terälevy



Terälevyn kärjen takapotku



Älä altista sateelle.



Vanhoja sähkölaitteita ei saa hävittää kotitalousjätteen mukana. Vie laite valtuutettuun kierrätyslaitokseen.

V Voltti



Tasavirta



Käyttäjän on luettava ja ymmärrettävä käyttöopas ennen tämän laitteen käyttöä loukkaantumisvaaran vähentämiseksi.



Käytä kuulosuojaimia



Käytä suojakäsineitä



Älä pidä moottorisaha yhdellä kädellä



Pidä aina moottorisaha molemmilla käsillä



Varo moottorisahan takapotkua ja vältä kosketusta terälevyn kärkeen



Melu

min⁻¹ Kierrosta minuutissa

CE CE


perusteellisesti. Varoitussymbolit eivät yksin poista vaaran mahdollisuutta. Niiden antamat ohjeet ja varoitukset eivät korvaa kunnollisia onnettomuuksien ehkäisytoimenpiteitä.

⚠ VAROITUS: Lue ja ymmärrä tämän käyttöoppaan kaikki turvallisuusohjeet, mukaan lukien kaikki turvallisuusvaroitussymbolit, kuten **"VAARA"**, **"VAROITUS"** ja **"HUOMIO"** ennen laitteen käyttämistä. Alla olevien ohjeiden noudattamatta jättäminen saattaa aiheuttaa sähköiskun, tulipalon ja/tai vakavan henkilökohtaisen vamman.

SYMBOLIEN MERKITYKSET

Tällä sivulla kuvataan ja esitellään turvallisuussymbolit, jotka saattavat esiintyä tässä tuotteessa. Lue, ymmärrä ja noudata kaikkia laitteen ohjeita ennen kuin yrität koota sen tai käyttää sitä.

TEKNISET TIEDOT

Jännite	56 V 	
Suosittelut käyttölämpötila:	-15°C-40°C	
Suosittelut säilytyslämpötila:	-20°C-70°C	
Ihanteellinen latauslämpötila	5 °C-40 °C	
Ketjun nopeus	20 m/s	
Ketjujako	9,5 mm	
Ketjumittari	1,3 mm	
Teräketjun tyyppi	91PX062X 90PX056X 90PX052X	
Terälevyn tyyppi	180SDEA041 164MLEA041 144MLEA041	
Ketjuöljysäiliön tilavuus	200 ml	
Paino (ilman akkua tai sahan suojusta)	4,4kg	
Mitattu äänitehotaso L_{WA}	103,53 dB(A) K=1,17 dB(A)	
Äänenpaineen taso käyttäjän korvien tasolla L_{PA}	92,53 dB(A) K=3,0 dB(A)	
Taattu äänitehotaso L_{WA} (direktiivin 2000/14/EY mukaan)	105 dB(A)	
Värinä a_h	Etukahva	5,158 m/s ² K=1,5 m/s ²
	Takakahva	5,537 m/s ² K=1,5 m/s ²

- Ilmoitettu värinän kokonaispäästöarvo on mitattu standarditestausmenetelmän mukaisesti, ja sen avulla voidaan vertailla työkaluja keskenään;
- Ilmoitettua värinän kokonaispäästöarvoa voidaan käyttää myös altistumisen alustavaan arviointiin.

HUOMAA: Työkalun käytön aikana mitattu todellinen värinäpäästöarvo voi poiketa ilmoitetusta kokonaispäästöarvosta työkalun käyttötavasta johtuen; käyttäjän suojaamiseksi tulee käyttää käsineitä ja kuulosuojaimia varsinaisissa käyttöolosuhteissa.

KUVAUS

TUNNE SAHASI (kuva 1)

- Voiteluaukko
- Terälevy

- Teräketju
- Öljysäiliön korkki
- Ketjun takapotkun jarrukahva
- Etukahva
- Akun vapautuspainike
- Lukituksen vapautuspainike
- Portaaton nopeuden liipaisukytkin
- Sähköliitännät
- Poistomekanismi
- Öljyntarkistusikkuna
- Takakahva
- LED-painike
- LED-etuvalot
- Katkontapiikit
- Ketjun kireyden pikasäätönuppi
- Sivukansi
- Teräsuoja

PAKKAUSLUETTELO

OSAN NIMI	MÄÄRÄ
Moottorisahan akkupää	1
Teräketju	1
Terälevy	1
Sahan suojus	1
Käyttöopas	1

KOKOONPANO

TERÄLEVYN JA KETJUN KOKOAMINEN/VAIHTAMINEN

VAROITUS: Säädä ketjun takapotkujarrun kahva jarrutusasettoon ennen kokoamista.

- Aseta moottorisahan akkupää kyljelleen niin, että sivukansi osoittaa ylös (kuva 2).
- Poista sivukansi kääntämällä ketjun kireyden pikasäätönuppia vastapäivään.
- Aseta uusi teräketju tasaiselle alustalle ja oikaise kaikki kiertymät.
- Aseta ketjun vetolenkit terälevyn uraan ja tee ketjusta silmukka terälevyn takaosaan (kuva 3).

3-1	Ketjun vetolenkit
3-2	Terälevyn ura

5. Pidä ketjua paikallaan terälevyllä ja aseta silmukka akkupään ketjupyörän ympärille (kuva 4).

HUOMAA: Teräketjuun ja akkupäähän on kaiverrettu pienet suuntanuolet. Kun asetat teräketjun silmukalle terälevylle, varmista, että teräketjun nuolten suunta vastaa akkupään nuolen suuntaa.

6. Vaihda sivukansi ja kiristä ketjun kireyden pikasäätönappi kunnolla. Epäkeskopyörä sivukannen sisäpuolella on suunniteltu varmistamaan, että ketjua ei voi kiristää liikaa.
7. Säädä ketjun takapotkun jarrukahva toiminta-asentoon ja pyöritä ketjua sitten käsin tarkistaaksesi ketjun oikean asennuksen ilman kiinnijäämistä. Muutoin asenna ketju ja terälevy uudelleen.

HUOMAA: Terälevyyn on ruuvilla kiinnitetty säätölevy. Jos terälevy täytyy vaihtaa, irrota säätölevy terälevystä ja asenna se uuteen terälevyyn, kuten näytetään kuvassa 5.

TOIMINTA

KÄYTTÖ

Voit käyttää tätä tuotetta tavalliseen puunkaatoon, oksien karsimiseen ja puunleikkuuseen.

HUOMAA: Työkalua tulee käyttää vain sille määritettyyn tarkoitukseen. Kaikki muu käyttö katsotaan väärinkäytöksi.

AKUN LIITTÄMINEN/POISTAMINEN

Lataa täyteen ennen ensimmäistä käyttökertaa.

Käytä vain EGO:n akkuja ja latureita, jotka on lueteltu alla:

AKKU	LATURI
BA1120E, BA2240E, BA1400, BA2800, BA3360, BA4200, BA1400T, BA2800T, BA4200T, BA5600T	CH2100E, CH5500E

Liittäminen

Aseta akun ulokkeet kiinnitysaukoihin ja paina akkua alaspäin, kunnes kuulet naksahduksen (kuva 6).

Poistaminen

Paina akun vapautuspainiketta ja vedä akku ulos (kuva 7).

LED-ETUVALOT

LED-etuvalo (kuvat 1-15 sijaitsee moottorisahan akkupään

edessä. Tämä ominaisuus tuo lisävaloa parantamaan näkyvyyttä. Se voidaan säätää kahteen kirkkaustasoon.

Kytke valot päälle painamalla LED-painiketta kerran (kuva 1-14). Etuvalot tuottavat kirkkaan valon moottorisahan eteen. Etuvalot palavat vielä kirkkaammin, kun painat LED-painiketta toisen kerran.

Sammutat valot painamalla LED-painiketta kolmannen kerran.

MOOTTORISAHAN KÄYNNISTÄMINEN/ SAMMUTTAMINEN

Ennen moottorisahan käynnistämistä

HUOMAA: Ennen kuin käynnistät moottorisahan, tarkista ketjun kireyden pikasäätö, öljytaso, sahan hampaiden terävyys ja takapotkun jarrukahvan toimivuus. Tarkista samoin asentosi tasapainoisuus ja riittävä etäisyys maan ja moottorisahan välillä.

Käynnistäminen

1. Vedä ketjun takapotkun jarrukahvaa kohti etukahvaa toiminta-asentoon.
2. Tartu etu- ja takakahvaan tiukasti. Käytä molempia käsiä.
3. Paina ensin lukituksen vapautuspainike pohjaan ja purista sitten portaatonta nopeuden liipaisinkytkintä sahan käynnistämiseksi. Ketjun nopeus kasvaa, kun painat portaatonta nopeuden liipaisinta kovempaa.
4. Vapauta lukituksen vapautuspainike ja jatka portaattoman liipaisinkytkimen puristamista, niin laite pysyy käynnissä.

Oikea ote kahvoista (kuva 8)

- Käytä liukumisen estäviä käsineitä, jotta saat parhaan mahdollisen otepitävyuden ja suojan.
- Pidä sahasta kiinni molemmiin käsiin, kun se on tukevalla, tasaisella alustalla.
- Tartu etukahvaan vasemmalla kädellä ja takakahvaan oikealla.
- Sormien tulisi kiertyä kahvan ympärille niin, että peukalo on kiertynyt etukahvan alle.

VAROITUS: Älä käytä vasenkätistä (ristikätistä) otetta tai asentoa, joka saattaisi asettaa kätesi tai kehosi teräketjun eteen (kuva 9).

Oikea sahausasento (kuva 10)

- Molemmat jalat tukevasti maassa ja paino jakautuneena niille tasaisesti.
- Vasen käsi suorana ja kyynärpää lukittuneena. Tämä auttaa kestämään takapotkun aiheuttamia voimia.
- Vartalosi pitäisi olla aina teräketjun vasemmalla puolella.

SAHAAMINEN

Perussahaaminen

- Jos käytät sahaa ensimmäistä kertaa, harjoittele pölkkyjen sahaamista sahapukin tai telineen päällä.
- Aloita sahaus painamalla terälevy kevyesti puuta vasten. Paina vain kevyesti, anna sahan tehdä työ.
- Säilytä tasainen nopeus koko sahausajan ajan. Vapauta paine juuri ennen sahausajan loppua.

VAROITUS: Kun moottorisaha sammuu, koska se juuttuu sahausajan aikana johonkin, irrota ote liipaisinkytkimestä; irrota teräketju ja terälevy puusta ja käynnistä moottorisaha uudelleen.

VAROITUS: Älä vedä teräketjua käsin, jos se jää kiinni sahanpurun takia.

FI

VAROITUS: Älä ikinä käynnistä moottorisahaa, kun se koskettaa puuhun. Anna moottorisahan kiihtyä täyteen nopeuteensa ennen kuin käytät sitä puun sahaamiseen.

PUUN KAATAMINEN

- Kun puuta karsitaan tai kaadetaan samanaikaisesti kahden tai useamman henkilön toimesta, vähimmäisetäisyys karsinta-alueen ja kaatopaikan välillä on vähintään kaksi kertaa puun pituus. Puuta ei saa kaataa tavalla, joka saattaa aiheuttaa vaaraa ihmisille, osua sähkölinjaan tai aiheuttaa omaisuusvahinkoja. Jos puu kuitenkin osuu sähkölinjaan, ilmoita välittömästi sähköyhtiölle.
- Moottorisahan käyttäjän tulee seistä ylämäen puolella, sillä puu todennäköisesti kieri tai valuu alamäkeen kaaduttuaan.
- Suunnittele ja tarvittaessa tyhjennä poistumisreitit valmiiksi ennen kuin alat sahata puuta. Poistumisreitit tulee ulottaa arvioidun kaatosuunnan taakse vinosti, kuten näytetään kuvassa 11.

11-1	Kaatosuunta
------	-------------

- Huomioi ennen kaatamisen aloittamista puun luonnollinen taipumissuunta, suurempien oksien sijainti ja tuulen suunta, jotta voit arvioida mihin suuntaan puu kaatuu.
- Poista lika, kivet, irtonainen kuoriossa, naulat, niitit ja rautalanka puusta.

Alempi lovi

Tee runkoon lovi, joka on 1/3 puun halkaisijasta. Lovi tehdään kohtisuoraan puun kaatosuuntaan, kuten kuvassa 12. Sahaa ensin alempi vaakasuora lovi. Se auttaa välttämään teräketjun tai terälevyn puristuksiin jäämisen, kun toista lovea sahataan.

Kaatosahaus

- Tee kaatosahaus ainakin 50 mm korkeammalta kuin vaakasuora lovi, kuten kuvassa 12-3 näytetään.

12-1	Kaatumissuunta	12-3	Kaatosahaus
12-2	Lovi	12-4	Sarana

Tee kaatosahaus samansuuntaisesti vaakasuoran loven kanssa. Sahaa kaatosahaus niin, että jäljelle jää riittävästi puuta saranana toimimiseen. Sarana pitää huolta siitä, ettei puu käänny ja kaadu väärään suuntaan. Älä sahaa läpi saranasta.

- Kun saha on lähellä saranaa, puun pitäisi alkaa kaatua. Jos on olemassa mahdollisuus, että puu ei kaadu haluttuun suuntaan tai että se saattaa kaatua kohti sahata ja lukita teräketjun, lopeta sahaaminen ennen kuin kaatolovi on valmis ja käytä puisia, muovisia tai alumiinisia kiiloja pitämään lovi avonaisena. Kaada puu sitten haluttuun suuntaan.
- Kun puu alkaa kaatua, poista moottorisaha lovesta, sammuta moottori, laske moottorisaha alas ja käytä suunniteltua pakotietä. Varo ylhäältä putoavia oksia ja katso mihin astut.

Puun karsiminen

Tässä yhteydessä puhutaan kaadetun puun oksien karsimisesta. Kun karsit oksia, jätä suuremmat alaoksat tukemaan tukkia niin, että se pysyy irti maasta. Poista pienemmät oksat yhdellä sahauskella, kuten kuvassa 13. Jännityksessä olevat oksat tulee sahata alhaalta ylös, jotta moottorisaha ei jää niihin kiinni.

Tukin pilkkominen

- Tässä tarkoitetaan suuremman puun pilkkomista pienemmiksi paloiksi. On tärkeää, että asentosi on tasapainoinen ja painosi on tasaisesti molemmilla jaloilla. Mikäli mahdollista nosta runko irti maasta ja tue se oksien, pölkkyjen tai kiilojen avulla. Noudata yksinkertaisia ohjeita helppoon sahaamiseen.
- Kun tukki on tuettu koko pituudeltaan, kuten kuvassa 14, se sahataan ylhäältä (yläsahaus).
- Kun tukki on tuettu toisesta päästä, kuten kuvassa 15, sahaa ensin 1/3 rungon halkaisijasta alapuolelta
- (alasaahaus). Sahaa sitten loput rungon yläpuolelta alemman sahausajan kohdalta.
- Kun tukki on tuettu molemmista päistä, kuten kuvassa 16, sahaa 1/3 rungon halkaisijasta yläpuolelta (yläsahaus). Sahaa sitten loppuun alapuolelta niin, että alemmat 2/3 kohtaavat ensimmäisen sahausloven.
- Kun pilkot rinteessä, seiso aina tukin yläpuolella rinteessä, kuten kuvassa 17.

- Kun sahaat läpi, säilytä täydellinen hallinta vapauttamalla sahauspaine sahausksen loppuvaiheessa niin, ettet irrota otetta moottorisahan kahvoista. Älä anna ketjun osua maahan. Kun sahaus on valmis, odota, että moottorisaha sammuu ennen kuin siirrä sitä. Sammuta moottori aina ennen kuin siirryt toisen puun luo.

KUNNOSSAPITO

TERÄLEVYN JA KETJUN VOITELUAINEN TÄYTTÖ

HUOMAA: Moottorisahassa ei ole ostohetkellä öljyä. On tärkeää täyttää säiliö öljyllä ennen käyttöä. Ketjuja voidellaan ketjuöljyllä automaattisesti käytön aikana.

1. Aseta moottorisaha kyljelleen niin, että öljysäiliön korkki osoittaa ylös.
2. Puhdista korkki ja ympäröivä alue ja irrota korkki kääntämällä vastapäivään (kuva 18).
3. Kaada varovasti erityisesti tähän tarkoitukseen tarkoitettua öljyä säiliöön, kunnes öljyä on täyttökaulan alosaan asti.
4. Pyyhi ylimääräiset öljyt pois ja laita korkki paikoilleen.

HUOMAA: Pystyasennossa öljyn tulisi täyttää tarkistusikkuna. Kun öljyä ei enää näy tarkistusikkunassa, lopeta käyttö ja täytä säiliö.

PUHDISTAMINEN

- Puhdista irtoaines ketjusta ja terälevystä jokaisen käyttökerran jälkeen pehmeällä harjalla. Pyyhi moottorisahan pinta puhtaalla, mietoon saippualluokseen kostutetulla liinalla.
- Poista sivukansi ja käytä pehmeää harjaa poistamaan irtoaines terälevystä, teräketjusta, ketjupyörästä ja sivukannesta.
- Puhdista aina puulastut, sahanpuru ja lika terälevyn urasta, kun vaihdat teräketjun.

TERÄLEVYN KUNNOSSAPITO

Kun terälevyssä näkyy kulumisen merkkejä, irrota se moottorisahan akkupästä, käännä se ja kiinnitä takaisin (kuva 19). Tällä tavalla sen käyttöikä on mahdollisimman pitkä.

Terälevy tulee puhdistaa jokaisena käyttöpäivänä ja tarkistettava kulumisen ja vahingoittumisen varalta. Terälevyn kiskojen rispaantuminen tai epätasaisuus on tavallista terälevyn kulumista. Nämä viat voidaan korjata viilalla heti niiden ilmestyessä. Terälevy, jossa on jokin seuraavista vioista, pitää vaihtaa.

- Kulumista terälevyn kiskojen sisäpuolella, jonka takia ketju voi olla liikkua sivuttain.

- Vääntynyt terälevy.
- Halkeilleet tai rikkiinäiset kiskot.
- Levinneet kiskot.

Terälevyn kärjessä on lisäksi kärkipyörä (kuva20-1). Kärkipyörä on voideltava viikoittain rasvaruiskulla, jotta terälevyn käyttöikä pitenee (kuva 21). Käytä rasvaruiskua viikoittain ja voitele ketjuöljyllä voiteluaukon kautta (kuva 20-2). Käännä terälevy ja tarkista, että voitelurei'issä ja ketjun urassa ei ole epäpuhtauksia.

KETJUN KUNNOSSAPITO

Käytä tässä sahasa vain vähäisen takapotkun ketjuja. Tämä nopeasti sahaava ketju vähentää takapotkua, kun se pidetään kunnossa oikeaoppisesti.

Hyvin teroitettu teräketju sahaa puuta helposti pienelläkin painamisella. Älä koskaan käytä tylsää tai vahingoittunutta teräketjuja. Tylsä teräketju aiheuttaa fyysisen voimankäytön lisääntymistä, tärinän voimistumista, huonompia sahaustuloksia ja lisääntynyttä kulumista.

Jotta sahaaminen olisi helppoa ja nopeaa, ketju tulee pitää kunnossa oikeaoppisesti. Ketju täytyy teroittaa silloin, kun puupalat ovat pieniä ja jauhomaisia, kun ketjuja on pakotettava puun läpi sahausajan aikana tai kun ketju ohjautuu jompaankumpaan suuntaan. Huomioi ketjun kunnossapidon aikana seuraavat asiat:

- Vääränlainen sivulevyn viilauksulma saattaa lisätä merkittävästi takapotkun riskiä.
- Syvyyssmittareiden liikkumisvara. Liian alhainen liikkumisvara lisää takapotkun todennäköisyyttä. Liian korkea liikkumisvara huonontaa sahaustehoa.
- Jos terän hampaat ovat osuneet koviin esineisiin, kuten kiviin tai nauloihin, tai puussa oleva muta tai hiekka on hiertänyt niitä, teroituta ketju asiantuntevalla huoltoteknikolla.

KULJETUS JA VARASTOINTI

- Älä varastoi tai kuljeta moottorisahaa, kun se on käynnissä. Irrota aina akkuyksikkö ennen varastointia tai kuljetusta.
- Laita aina terälevyn suojus terälevyn ja ketjun päälle ennen kuin varastoi tai kuljetat moottorisahaa. Varo ketjun teräviä hampaita.
- Puhdista moottorisaha perusteellisesti ennen varastointia. Säilytä moottorisahaa sisällä kuivassa paikassa, johon lapset eivät pääse.
- Pidä poissa syövyttävien aineiden, kuten puutarhakemikaalien ja jäänestosuolojen, läheltä.

Ympäristönsuojelu



WEEE (Sähkö- ja elektroniikkalaiteromu)

Älä hävitä sähkölaitteita, akkulaturia tai akku/ladattavia paristoja kotitalousjätteen seassa! Vie tämä tuote hyväksytyyn kierrätyspaikkaan tai anna se erilliseen keräilyyn. Sähkötyökalut tulee palauttaa asianmukaiseen ympäristöystävälliseen kierrätyslaitokseen.

FI

VIANMÄÄRITYS

ONGELMA	SYY	RATKAISU
Moottori ei käy	<ul style="list-style-type: none"> ■ Akkua ei ole liitetty moottorisahaan. ■ Sahan ja akun välillä ei ole sähköyhteyttä. ■ Akku on tyhjä. ■ Akku tai moottorisaha on ylikuumentunut. ■ Ketjujarru on käytössä. ■ Terälevyn urassa on irtoainesta. ■ Sivukannessa on irtoainesta. 	<ul style="list-style-type: none"> ■ Liitä akku moottorisahaan. ■ Poista akku, tarkista kosketuskohdat ja asenna akku uudelleen paikalleen. ■ Lataa akkuyksikkö. ■ Jäähdytä akkua tai moottorisahaa, kunnes sen lämpötila on alle 67 °C. ■ Vedä ketjun takapotkun jarrukahvaa kohti etukahvaa takaisin toiminta-asentoon. ■ Paina teräketjua puuta vasten ja liikuta moottorisahaa eteen ja taakse irrottaaksesi irtoaineksen. ■ Poista akku, poista sivukansi ja puhdista irtoaines.
Moottorisaha lakkaa toimimasta käytön aikana.	<ul style="list-style-type: none"> ■ Moottorisaha on ylikuormittunut. ■ Akku tai moottorisaha on ylikuumentunut. ■ Teräketju on jäänyt puristuksiin puuhun. 	<ul style="list-style-type: none"> ■ Vähennä kuormitusta. ■ Vähennä kuormitusta. Jäähdytä akkua tai moottorisahaa, kunnes sen lämpötila on alle 67 °C. ■ Irrota ote liipaisinkytkimestä; irrota teräketju ja terälevy puusta ja käynnistä moottorisaha uudelleen.
Moottori käy, mutta ketju ei pyöri.	<ul style="list-style-type: none"> ■ Ketju ei kiinnity vetopyörään. ■ Irtoaines estää takapotkun jarrukahvan vapaan liikkeen. ■ Mahdollinen ketjujarrun vikatilä. 	<ul style="list-style-type: none"> ■ Asenna ketju uudelleen ja varmista, että ketjun vetolenkit ovat kunnolla ketjupyörässä. ■ Irtoaines estää takapotkun jarrukahvan vapaan liikkeen. ■ Ota yhteyttä EGO:n asiakaspalveluun korjausta varten.

FI

ONGELMA	SYY	RATKAISU
Moottorisaha ei sahaa kunnolla.	<ul style="list-style-type: none"> ■ Riittämätön ketjun kiristys. ■ Tylsä ketju. ■ Ketju asennettu väärin päin. ■ Kulunut ketju. ■ Kuiva tai liian kireä ketju. 	<ul style="list-style-type: none"> ■ Löysää ketjun kireyden pikasäätönuppia ensin vähintään kaksi kierrosta vastapäivään ja kiristä se sitten myötäpäivään, kunnes ketju on oikein kiristetty. ■ Teroita ketjuterä osion KETJUTERÄN TEROITUS mukaisesti. ■ Asenna teräketju uudelleen osion TERÄLEVYN JA KETJUN KOKOAMINEN/VAIHTAMINEN mukaisesti. ■ Vaihda teräketju uudelleen osion TERÄLEVYN JA KETJUN KOKOAMINEN/VAIHTAMINEN mukaisesti. ■ Tarkista öljysäiliön öljytilanne. Lisää öljysäiliöön tarvittaessa öljyä.
Ketju putoaa terälevyltä.	<ul style="list-style-type: none"> ■ Riittämätön ketjun kiristys. ■ Ketju ei kiinnity vetopyörään. 	<ul style="list-style-type: none"> ■ Löysää ketjun kireyden pikasäätönuppia ensin vähintään kaksi kierrosta vastapäivään ja kiristä se sitten myötäpäivään, kunnes ketju on oikein kiristetty. ■ Asenna ketju uudelleen osion TERÄLEVYN JA KETJUN KOKOAMINEN/VAIHTAMINEN mukaisesti, ja varmista, että ketjun vetolenkit ovat kunnolla ketjupyörässä.
Terälevy ja ketju ovat kuumia ja savuavia	<ul style="list-style-type: none"> ■ Ketjun öljysäiliö on tyhjä. ■ Irtoainesta terälevyn urassa. 	<ul style="list-style-type: none"> ■ Täytä terälevyn ja ketjun voiteluaine. ■ Puhdista irtoaines urasta.

TAKUU

EGON TAKUUEHDOT

Verkkosivustolta egopowerplus.com löydät EGO:n takuuehtojen täydelliset ehdot kokonaisuudessaan.

LES GJENNOM ALLE INSTRUKSJONENE!



LES BRUKERHÅNDBOKEN

⚠ Restrisiko! Personer med elektroniske enheter, for eksempel pacemakere, må rådføre seg med lege før de bruker dette produktet. Drift av elektrisk utstyr i umiddelbar nærhet av en pacemaker kan føre til at pacemakeren forstyrres eller svikter.

SIKKERHETSSYMBOL

Formålet med sikkerhetssymbolene er å rette oppmerksomheten din mot mulige faresituasjoner. Sikkerhetssymbolene og forklaringene krever din fulle

oppmerksomhet og forståelse. Symbolvarslene eliminerer ikke farer i seg selv. Instruksjonene og advarslene i dem kan ikke erstatte passende ulykkesforebyggende tiltak.

⚠ ADVARSEL: Sørg for at du har lest og forstått alle sikkerhetsanvisningene i denne bruksanvisningen, inkludert alle varselsymboler som «FARE», «ADVARSEL» og «FORSIKTIG» før du bruker dette verktøyet. Hvis du ikke følger alle instruksjonene nedenfor kan det føre til elektrisk støt, brann og/eller alvorlig personskade.

SYMBOLFORKLARINGER

Denne siden viser og beskriver sikkerhetssymboler som kan være på produktet. Les, forstå og følg alle instruksjoner på enheten før du begynner montering og tar den i bruk.

SIKKERHETSSYMBOLER



Sikkerhetsadvarsel



Bruk vernebriller



Bruk hodevern



Styrestang



Tilbakeslag fra styrestangen



Må ikke utsettes for regn.



Elektrisk avfall skal ikke kastes sammen med husholdningsavfall. Innlever ved en godkjent gjenvinningsstasjon.

V Volt



Likestrøm



For at risikoen for personskader skal unngås må brukeren lese og forstå bruksanvisningen før produktet tas i bruk.



Bruk hørselvern



Bruk vernehansker



Ikke bruk motorsagen med en hånd



Bruk alltid motorsagen med to hender



Vær forsiktig med tilbakeslag av motorsagen og unngå kontakt med sagspissen




Støy

min⁻¹ Omdreininger pr. minutt

CE CE

NO

SPESIFIKASJONER

Spenning	56 V 	
Anbefalt driftstemperatur	-15°C-40°C	
Anbefalt lagringstemperatur	-20°C-70°C	
Optimal ladetemperatur	5 °C-40 °C	
Kjedehastighet	20 m/s	
Kjedevinkel	9,5 mm	
Kjedestørrelse	1,3 mm	
Sagkjedefetype	91PX062X 90PX056X 90PX052X	
Styrestangtype	180SDEA041 164MLEA041 144MLEA041	
Kapasiteten til kjedeoljetanken	200 ml	
Vekt (uten batteripakke, kjedeslire)	4,4kg	
Målt lydeffektnivå L_{WA}	103,53 dB(A) K=1,17 dB(A)	
Lydtrykknivå ved brukerens øre L_{PA}	92,53 dB(A) K=3,0 dB(A)	
Garantert lydeffektnivå L_{WA} (iht. 2000/14/EF)	105 dB(A)	
Vibrasjon a_h	Front håndtak	5,158 m/s ² K=1,5 m/s ²
	Bakre håndtak	5,537 m/s ² K=1,5 m/s ²

- Erklært total vibrasjonsverdi er målt i overensstemmelse med en standard testmetode og kan brukes til å sammenligne ett verktøy med et annet;
- Erklært total vibrasjonsverdi kan også brukes i en foreløpig vurdering av eksponering.

MERK: Vibrasjoner under faktisk bruk av elektroverktøyet kan variere fra den opplyste verdien der verktøyet brukes; For å beskytte brukeren skal det alltid benyttes hansker og hørselssvern under faktiske bruksforhold.

BESKRIVELSE

VÆR KJENT MED MOTORSAGEN DIN (fig. 1)

1. Smørehull
2. Styrestang
3. Sagkjede

4. Oljetankhette
5. Kjedets tilbakeslags-bremsehåndtak
6. Fronthåndtak
7. Utløserknapp til batteri
8. Låseknapp
9. Variabel hastighetsregulator
10. Elektriske kontakter
11. Utkastingsmekanisme
12. Inspeksjonsvindu for oljenivå
13. Bakre håndtak
14. LED-knapp
15. LED-LYS
16. Støttepigger
17. Knott for hurtig justering av kjedestramming
18. Sidedeksel
19. Kjedeslire

PAKKELISTE

NAVN PÅ DEL	MENGDE
Motorsagens krafthode	1
Sagkjede	1
Styrestang	1
Kjedeslire	1
Bruksanvisning	1

ASSEMBLY

ASSEMBLING/REPLACING THE BAR AND CHAIN

MONTERING

MONTERING/BYTTJE AV STANG OG KJEDE

⚠ ADVARSEL: Juster bremsehåndtaket i kjettingen i bremsestillingen før montering.

1. Plasser motorsagens effekthode på siden, med sidedekselet oppover (fig. 2).
2. Ta av sidedekselet ved å dreie knotten for hurtig stramming av kjedet mot klokken
3. Legg det nye sagkjedet i en løkke på et flatt underlag og rett ut alle buktninger.
4. Plasser kjededriftslenkene inn i sporet på stangen og gjør kjedet til en sløyfe på baksiden av stangen (fig. 3).

3-1	Kjededriftslenker
3-2	Styrestangspor

- Hold kjedet på plass på sverdet, og plasser løkken rundt drivhjulet på effekthodet (fig. 4).

MERK: Små piler som angir retningen er inngravert i sagkjedet og på effekthodet. Når du legger kjedeløkken over kjedehjulet må du forsikre deg om at retningen på pilene på sagkjedet tilsvarer retningen på pilen på effekthodet.

- Erstatt sidedekselet og stram knotten for hurtig justering av kjedestramming helt. Det eksentriske giret på innsiden av sidedekselet er designet for å sørge for at kjedet ikke overbelastes
- Juster bremsehåndtaket for tilbakeslag av kjedet slik at det står i operativ posisjon, og roter deretter kjedet for hånd for å sjekke at det ikke setter seg fast. Ellers, sett sammen kjedet og stangen på nytt.

MERK: Det er en justeringsplate koblet til styrestangen med en skrue. Hvis styrestangen må erstattes, fjern justeringsplaten fra styrestangen og sett den på den nye styrestangen, som vist i fig.5

BRUK

BRUK

Du kan bruke dette produktet til grunnleggende felling, kvisting, beskjæring og hogst av trelast og trær.

MERK: Verktøyet skal bare brukes til sitt foreskrevne formål. All annen bruk er feil

FESTE/FJERNE BATTERIPAKKEN

Lad batteriet helt opp før første bruk.

Bruk bare EGOs batteripakker og ladere som står oppført nedenfor:

BATTERI	LADER
BA1120E, BA2240E, BA1400, BA2800, BA3360, BA4200, BA1400T, BA2800T, BA4200T, BA5600T	CH2100E, CH5500E

Slik setter du det på

Juster batteririlene så de er på linje med monteringssporene, og trykk batteripakken ned til du hører et klikk (fig. 6).

Slik tar du det av

Trykk ned batteriutløserknappen, og trekk batteripakken ut (fig. 7).

LED-LYS

LED-lyset (fig. 1 - 15) er plassert foran på kjettingsagens effekthode. Denne funksjonen gir deg ekstra lys for økt synlighet, og kan justeres til to lysnivåer.

Trykk på LED-knappen en gang for å skru på lysene (fig. 1 - 14). Frontlysene gir kraftig lys foran kjettingsagen. Trykk på LED-knappen en gang til, så lyser frontlysene kraftigere.

Trykk på LED-knappen en tredje gang for å skru av frontlysene.

START/STOPP AV MOTORSAGEN

Før start av motorsagen

MERK: Før du starter motorsagen, kontroller justering av kjedet, oljenivået, deretter tenneses skarphet og fungerende bremsehåndtak for tilbakeslag. Dessuten er balanserte fotfeste og riktig avstand fra bakken helt nødvendig.

For å starte opp

- Trekk kjedets bremsehåndtak for tilbakeslag mot fremre håndtak i driftsposisjon
- Ta godt tak i fremre og bakre håndtak, og bruk begge hender.
- Trykk ned låseknappen først og trykk deretter inn utløseren for å starte saken. Kjedet øker farten med økt trykk på den variable fartutløseren.
- Slipp låseknappen og fortsett å trykke på utløseren for å fortsette drift.

Riktig grep om håndtakene (fig. 8)

- Bruk sklisikre hansker så du får best mulig grep og beskyttelse.
- Sett saken på et fast, flatt underlag, og hold saken fast med begge hender.
- Alltid ta tak i det fremre håndtaket med venstre hånd, og det bakre håndtaket med høyre.
- Fingrene skal omslutte håndtaket, med tommelen innpakket under det fremre håndtaket.

⚠ ADVARSEL: Bruk aldri venstrehånds (krysshåndet) grep, eller grep som plasserer kroppen din eller armen på tvers av kjedelinjen (fig. 9).

Riktig sagestilling (fig. 10)

- Begge føttene skal være på fast grunn, med vekten jevnt fordelt mellom dem.
- Den venstre armen skal være rett, med albuen låst. Dette hjelper til med å motstå kreftene som genereres av tilbakeslag.
- Kroppen din skal alltid være til venstre for kjedelinjen.

KUTTING

Grunnleggende kutting

- For førstegangsbrukere, vennligst skjær tømmerstokker på en saghest eller holder.

NO

- Start kutting ved å presse styrestangen forsiktig mot treet. Påfør lett trykk, og la sagen gjøre jobben
- Oppretthold jevn fart gjennom kuttingen, og slipp trykket rett før du er ferdig med å kutte.

⚠ ADVARSEL: Når sagkjedet er stoppet på grunn av klemming under skjæring, slippes bryteren; fjern sagkjedet og sverdet fra treet, og start deretter motorsagen.

⚠ ADVARSEL: Ikke trekk sagkjedet med hånden når den er bundet opp av savmugg.

⚠ ADVARSEL: Start aldri motorsagen når den er i kontakt med treverk. La alltid motorsagen nå full hastighet før du setter sagen mot treet.

FELLING AV TRÆR

- I kapping og hogst utført av to eller flere personer samtidig, skal fellingsoperasjonene skilles fra kappingen med en avstand på minst to ganger høyden av treet som felles. Trær skal ikke felles på en måte som kan være farlig for personer, som kan treffe strømlinjer eller forårsake skader på eiendom. Hvis treet får kontakt med strømlinjer, skal strømselskapet varsles umiddelbart.
- Motorsagsbrukeren skal stå på øvre side i terrenget, ettersom treet sannsynlig rulle eller sklir nedoverbakke etter at det er felt.
- En fluktrute skal planlegges og ryddes som nødvendig for sagingen startes. Fluktruten skal gå bakover og diagonalt mot baksiden av den forventede fallretningen som vist i fig. 11.

11-1	Fellingsretning
------	-----------------

- Før trefelling startes må du vurdere den naturlige retningen som treet lener seg, plasseringen av større grener og vindretningen for å bedømme hvilken vei treet kommer til å falle.
- Fjern skitt, steiner, løs bark, spikre, stifter og ledninger fra treet

Styreskår

Lag hakket gjennom 1/3 av diameteren til treet, vinkelrett til fallretningen, som vist i fig. 12. Lag det nedre, horisontale hakket først. Det bidrar til å unngå å klemme enten sagkjedet eller sverdet når det andre hakket sages.

Hovedskår

- Sag hovedskåret minst 50 mm høyere enn den horisontale delen av styreskåret, som vist i fig. 12 - 3.

12-1	Felleretning	12-3	Hovedskår
12-2	Innsnitt	12-4	Hengsel

Hold hovedskåret parallelt med den horisontale delen av styreskåret. Sag ut hovedskåret slik at det er nok treverk igjen til å danne et hengsel. Hengseltreet gjør at treet ikke vrir seg og faller i feil retning. Ikke kutt gjennom hengselen.

- Etter hvert som felling kommer i nærheten av hengslet, bør treet begynne å falle. Hvis det er noen sjanse for at treet kan komme til å falle i feil retning eller at det kan vippe tilbake og klemme fast sagkjedet skal sagingen avsluttes før hovedskåret er fullført, og kiler av tre, plast eller aluminium skal brukes for å åpne skåret og felle treet langs den ønskede linjen.
- Når treet begynner å falle skal motorsagen fjernes fra kuttet, motoren stoppes, motorsagen settes ned, og deretter brukes fluktruten som planlagt. Vær på vakt for overhengende grener som kan falle, og pass på fotfestet.

Kvisting av trær

Kvisting er å fjerne grenene fra et tre som har blitt felt. Under kvisting skal større nedre grener være igjen, for å støtte stammen opp fra bakken. Fjern de små grenene med ett kutt som vist i fig. 13. Grener som står i spenn skal kappes fra bunnen og opp, for å unngå å oppbinding av motorsagen.

Kappe en stokk

- Kapping er å kutte en stamme i lengder. Det er viktig å sørge for godt fotfeste, og at vekten er jevnt fordelt på begge føttene. Hvis mulig skal stammen heves og støttes med grener, stammer eller klosser. Følg de enkle instruksjonene for enkel saging.
- Når stokken er understøttet langs hele lengden, som vist i fig. 14, kuttet den fra toppen (oversaging).
- Når stokken er understøttet på den ene ende, som vist i fig. 15, kuttet 1/3 av diameteren fra undersiden
- (undersaging). Deretter gjøres det endelige kuttet med oversaging, til det første kuttet møtes.
- Når stokken støttes i begge ender, som vist i fig. 16, kuttet 1/3 av diameteren fra toppen (oversaging). Deretter gjøres det endelige kuttet med undersaging av de nedre 2/3, til det første kuttet møtes.
- Når man kapper i en skråning, skal man alltid stå på oversiden av stokken, som vist i fig. 17.
- Når man «skjærer gjennom», slippes sagetrykket opp nær enden av kuttet for å beholde kontrollen, uten at man løser grepet på håndtakene til motorsagen. Ikke la kjedet komme i kontakt med bakken. Etter endt saging må du vente på at sagkjedet stopper før du flytter på motorsagen. Stopp alltid motoren før du går fra tre til tre.

VEDLIKEHOLD

PÅFYLLING AV SVERD- OG KJEDEOLJE

MERK: Motorsagen er ikke fylt med olje på kjøpstidspunktet. Det er svært viktig å fylle tanken med olje før bruk. Kjedet smøres automatisk med kjedeolje når sagen er i gang.

1. Plasser motorsagen på siden med oljetanklokket vendt mot deg.
2. Rengjør hetten og området rundt, og vri den deretter mot klokken for å fjerne den (fig. 18).
3. Hell forsiktig den spesielt utformede oljen i tanken, til den når bunnen av filterhalsen.
4. Tørk av overflødig olje og sett på lokket igjen.

MERK: Inspeksjonsvinduet for oljenivået skal være fullt i stående stilling. Når oljen ikke lenger er synlig i inspeksjonsvinduet, skal saken stanses umiddelbart, og olje fylles på.

RENGJØRING

- Etter hver bruk fjernes rusk fra kjedet og sverdet med en myk børste. Tørk av motorsagens overflater med en ren klut, fuktet med mildt såpevann.
- Ta av sidedekselet, og bruk deretter en myk børste for å fjerne rusk fra sverdet, sagkjedet, drivhjul og sidedeksel.
- Fjern alltid trefliser, spon og rusk fra fordypningen til sagsverdet når du bytter kjede.

VEDLIKEHOLD AV SVERDET

Når styrestangen viser antydning til slitasje, fjern den fra motorsagens effektthode og reverser den før du setter den på plass igjen (fig. 19). Slik fordeler den slitasje på en måte som sørger for maksimal levetid.

Stangen skal rengjøres hver bruksdag, og sjekkes for slitasje og skader. Uttoning eller gradering på sverdskindene er en normal slitasjeprosess på stangen. Slike feil skal jevnes med en fil så snart de oppstår. En stang med noen av følgende feil skal byttes ut.

- Slitasje inne i stangskinnene, som gjør at kjedet legger seg over sidelengs.
- Bøyd stang.
- Sprukne eller ødelagte skinner.
- Spre sporene.

I tillegg har sverdet et drivtannhjul på spissen (fig. 20 - 1). Tannhullet skal smøres ukentlig med fettsprøyte for å forlenge levetiden til sverdet (fig. 21). Bruk en fettsprøyte for å smøre med kjedeolje ukentlig, gjennom

smørehullene (fig. 20 - 2). Snu stangen og kontroller at smørehullene og kjedesporet er frie for urenheter.

VEDLIKEHOLD AV KJEDE

Bruk kun kastreduserte kjeder på denne saken. Dette raske sagkjedet vil gi kastreduksjon når det er riktig vedlikeholdt.

Et skikkelig skjerpet sagkjede skjærer gjennom tre uanstrengt, selv med veldig lite trykk. Bruk aldri et sløvt eller skadet sagkjede. Et sløvt sagkjede fører til økt fysisk belastning, økt belastningsvibrasjon, ikke tilfredsstillende klipperesultat og økt slitasje.

For smidig og rask klipping må kjedet vedlikeholdes riktig. Kjedet må skjerpes når flisene er små og pulveraktige, kjedet må tvinges gjennom treverket under saging, eller kjedet drar til den ene siden. Ved vedlikehold av kjedet må du vurdere følgende:

- Uriktig filevinkel på sideplaten kan øke risikoen for en alvorlige tilbakeslag.
- Dybdemålerklaring. For lav øker faren for tilbakeslag. Ikke lavt nok til å senke sageevnen.
- Hvis skjæretennene har truffet på harde gjenstander, for eksempel spiker og steiner, eller har blitt slipt ned av gjørme eller sand på veden, må kjedet skjerpes av en kvalifisert servicetekniker.

TRANSPORT OG LAGRING

- Ikke oppbevar eller transporter motorsagen når den er i gang. Ta alltid ut batteriet før du lagrer eller transporterer den.
- Plasser alltid sverdskjeden over sverdet og kjedet før du lagrer eller transporterer motorsagen. Vær nøye med å unngå de skarpe tennene på kjedet.
- Rengjør motorsagen grundig før oppbevaring. Oppbevar motorsagen innendørs, på et tørt sted som er låst, og/eller utilgjengelig for barn.
- Holdes vekk fra etsende midler, for eksempel hagekjemikalier og avisingssalter.

Beskytt miljøet



WEEE (Waste Electrical and Electronic Equipment)

Elektrisk utstyr, batteriladere og batterier / oppladbare batterier må ikke kastes i husholdningsavfallet! Ta med dette produktet til auto-risert gjenvinning, og gjør det tilgjengelig for separat innsamling. Elektriske verktøy må returneres til et egnet resirkuleringsanlegg.

NO

FEILSØKING

NO

PROBLEM	ÅRSAK	LØSNING
Motoren starter ikke.	<ul style="list-style-type: none"> ■ Batteripakken er ikke festet til motorsagen. ■ Ingen elektrisk kontakt mellom sagen og batteriet. ■ Batteripakken er utladet. ■ Batteripakken eller motorsagen er for varm. ■ Kjedefremsen er aktivert. ■ Rusk i sverdsporet. ■ Rusk i sidedekselet. 	<ul style="list-style-type: none"> ■ Fest batteripakken til motorsagen. ■ Fjern batteriet, sjekk kontakter og installer batteripakken. ■ Lad opp batteripakken. ■ La batteripakken eller sagen kjøle seg ned til temperaturen synker under 67 °C. ■ Trekk i kjedets bremsehåndtak for tilbakeslag mot fremre håndtak i driftsposisjon, slik at du er i driftsposisjonen. ■ Trykk sagkjedet mot treet og flytt motorsagen frem og tilbake for løsne rusket. ■ Fjern batteripakken og sidedekselet, og rens ut rusk.
Motorsagen slutter å gå under drift.	<ul style="list-style-type: none"> ■ Motoren er overbelastet. ■ Batteripakken eller motorsagen er for varm. ■ Sagkjedet sitter fast i treet. 	<ul style="list-style-type: none"> ■ Reduser belastningen. ■ Reduser belastningen. La batteripakken eller sagen kjøle seg ned til temperaturen synker under 67 °C. ■ Slipp bryteren; fjern sagkjedet og sverdet fra treet, og start deretter motorsagen igjen.
Motoren går, men kjedet går ikke rundt.	<ul style="list-style-type: none"> ■ Kjedet tar ikke tak i drivhjulet. ■ Rusk hindrer full bevegelighet av kjedets bremsehåndtak for tilbakeslag. ■ Mulig feil i kjedefremsen. 	<ul style="list-style-type: none"> ■ Installer kjedet og sørg for at drevlenkene på kjedet er satt helt inn på drivhjulet. ■ Rusk hindrer full bevegelighet av kjedets bremsehåndtak for tilbakeslag. ■ Kontakt EGOs kundeservice for å få hjelp.

PROBLEM	ÅRSAK	LØSNING
Motorsagen sager ikke ordentlig.	<ul style="list-style-type: none"> ■ Utilstrekkelig kjedestramming. ■ Sløvt kjede. ■ Kjedet er installert baklengs. ■ Slitt kjede. ■ Tørt eller overstrukket kjede. 	<ul style="list-style-type: none"> ■ Løsne justeringsknotten for kjedestramming med minst to omganger mot klokken, og stram deretter helt med klokken, inntil kjedet er strammet riktig. ■ Skjerp kjedets kuttere, per avsnittet "HVORDAN SKJERPE KUTTERE". ■ Installer kjedet på nytt, slå opp på "MONTERING/BYTT AV STANG OG KJEDE". ■ Bytt ut kjedet, slå opp på "MONTERING/BYTT AV SVERD OG KJEDE". ■ Sjekk oljenivået i oljetanken. Etterfyll oljetanken om nødvendig.
Sagen faller ned fra styrestangen.	<ul style="list-style-type: none"> ■ Utilstrekkelig kjedestramming. ■ Kjedet tar ikke tak i drivhjulet. 	<ul style="list-style-type: none"> ■ Løsne justeringsknotten for kjedestramming med minst to omganger mot klokken, og stram deretter helt med klokken, inntil kjedet er strammet riktig. ■ Installer kjedet, slå opp avsnittet "MONTERING/UTBYTTE AV STANG OG KJEDE" og sørg for at drevlene på kjedet er satt helt inn på drivhjulet.
Stang og kjede blir varmt og ryker.	<ul style="list-style-type: none"> ■ Kjedeeoljetanken er tom. ■ Rusk i sverdsporet. 	<ul style="list-style-type: none"> ■ Påfylling av sverd- og kjedeolje. ■ Fjern rusken fra sporet.

NO

GARANTI

EGOs GARANTIREGLER

Besøk nettsiden egopowerplus.com for å se fullstendige vilkår og betingelser for EGO-garantireglene.

ПРОЧИТАЙТЕ ВСЕ ИНСТРУКЦИИ!



ПРОЧИТАЙТЕ РУКОВОДСТВО ПОЛЬЗОВАТЕЛЯ

⚠ Остаточный риск! Если вы используете такие электронные устройства, как кардиостимулятор, перед эксплуатацией данного устройства проконсультируйтесь с врачом. Использование электрооборудования в непосредственной близости от кардиостимулятора может привести к образованию помех и повреждению кардиостимулятора.

СИМВОЛЫ БЕЗОПАСНОСТИ

Символы безопасности предназначены для привлечения внимания к возможным рискам. Символы безопасности, а также пояснения к ним, требуют особого внимания и понимания. Предупреждения по технике безопасности

сами по себе не устраняют опасность. Инструкции и предупреждения не заменяют соответствующие меры по предотвращению несчастных случаев.

⚠ ПРЕДУПРЕЖДЕНИЕ. Перед использованием устройства внимательно прочитайте все инструкции в данном руководстве пользователя и ознакомьтесь с предупреждающими символами безопасности, такими как «ОПАСНОСТЬ», «ПРЕДУПРЕЖДЕНИЕ» и «ВНИМАНИЕ». Несоблюдение всех приведенных ниже инструкций может привести к поражению электрическим током, возникновению пожара и (или) получению серьезных травм.

УСЛОВНЫЕ ОБОЗНАЧЕНИЯ

Далее приведено изображение и описание символов безопасности, которые могут присутствовать на данном устройстве. Перед сборкой или использованием внимательно прочитайте все инструкции, приведенные на устройстве, и соблюдайте их.

RU ПРЕДУПРЕЖДАЮЩИЕ СИМВОЛЫ



Предупреждение об опасности



Используйте защитные очки.



Используйте защитный головной убор.



Шина цепи



Отдача кончика шины



Не оставляйте под дождем.



Неисправные электрические устройства нельзя выбрасывать вместе с бытовым мусором. Сдавайте их в авторизованные пункты сбора и утилизации.

V

Вольт



Постоянный ток



Чтобы уменьшить риск получения травм, перед использованием устройства необходимо прочитать и понять руководство по эксплуатации.



Используйте средства защиты органов слуха.



Используйте защитные перчатки.



Не держите пилу одной рукой.



Всегда держите цепную пилу двумя руками.



Остерегайтесь отдачи цепной пилы и не допускайте контакта с концом шины цепи.



Шум

min⁻¹

Оборотов в минуту



CE

ХАРАКТЕРИСТИКИ

Напряжение	56 В	
Рекомендуемая рабочая температура	-15°C-40°C	
Рекомендуемая температура хранения	-20°C-70°C	
Оптимальная температура зарядки	5 °C-40 °C	
Скорость цепи	20 m/s	
Шаг цепи	9,5 mm	
Калибр цепи	1,3 mm	
Тип пильной цепи	91PX062X 90PX056X 90PX052X	
Тип шины	180SDEA041 164MLEA041 144MLEA041	
Объем масляного резервуара цепи	200 ml	
Масса (без аккумуляторной батареи и чехла для цепи)	4,4kg	
Измеренный уровень звуковой мощности, $L_{\text{вм}}$	103,53 дБ (А) K=1,17 дБ (А)	
Уровень звукового давления на уши оператора, $L_{\text{РА}}$	92,53 дБ (А) K=3,0 дБ (А)	
Гарантированный уровень звуковой мощности, $L_{\text{вм}}$ (в соответствии со стандартом 2000/14/ЕС)	105 дБ (А)	
Вибрация a_h	Передняя рукоятка	5,158 m/s^2 K=1,5 m/s^2
	Задняя рукоятка	5,537 m/s^2 K=1,5 m/s^2

- Указанное общее значение вибрации было определено с помощью стандартного теста и может быть использовано для сравнения разных инструментов.
- Указанное общее значение вибрации также может использоваться для предварительной оценки уровня воздействия.

ПРИМЕЧАНИЕ. Реальное вибрационное воздействие электроинструмента может отличаться от указанного в зависимости от способа использования. В целях безопасности оператор должен надевать перчатки и средства защиты органов слуха во время использования устройства.

ОПИСАНИЕ

ЗНАКОМСТВО С ЦЕПНОЙ ПИЛОЙ (Рис. 1)

1. Смазочное отверстие
2. Шина цепи
3. Пильная цепь
4. Крышка резервуара для масла
5. Ручка цепного тормоза
6. Передняя рукоятка
7. Кнопка фиксации аккумулятора
8. Кнопка блокировки
9. Курковый переключатель скорости
10. Электрические контакты
11. Выталкивающий механизм
12. Окошко индикации уровня масла
13. Задняя рукоятка
14. Светодиодная кнопка
15. Светодиодная подсветка
16. Упорные зубья
17. Регулятор натяжения цепи
18. Боковой кожух
19. Чехол цепи

RU

КОМПЛЕКТ ПОСТАВКИ

НАЗВАНИЕ ДЕТАЛИ	КОЛИЧЕСТВО
Силовой блок пилы	1
Пильная цепь	1
Шина цепи	1
Чехол цепи	1
Руководство по эксплуатации	1

СБОРКА

СБОРКА/ЗАМЕНА ШИНЫ И ЦЕПИ

⚠ ПРЕДУПРЕЖДЕНИЕ. Перед сборкой установите ручку цепного тормоза в положение торможения.

1. Положите силовой блок пилы на бок, боковым кожухом вверх (Рис. 2).
2. Снимите боковой кожух, повернув регулятор натяжения цепи против часовой стрелки.
3. Разложите новую пильную цепь петлей на плоской поверхности и распрямите все перегибы.
4. Поместите приводные звенья цепи в паз шины и оттяните цепь в задней части шины (Рис. 3).

3-1	Приводные звенья цепи
3-2	Паз шины цепи

- Удерживая цепь в одном положении на шине, поместите петлю на зубчатое колесо силового блока (Рис. 4).

ПРИМЕЧАНИЕ. На пильной цепи и силовом блоке имеются небольшие направляющие стрелки. При установке цепи на шину убедитесь, что направление стрелок на пильной цепи совпадает с направлением стрелки на силовом блоке.

- Установите боковой кожух на место и полностью затяните регулятор натяжения цепи. Конструкция эксцентриковой шестерни внутри бокового кожуха предохраняет цепь от чрезмерного натяжения.
- Установите ручку цепного тормоза в рабочее положение и проверните цепь рукой. Правильно установленная цепь должна вращаться без заклинивания. В противном случае выполните сборку шины и цепи повторно.

ПРИМЕЧАНИЕ. К шине с помощью винта прикреплена регулировочная пластина. Если шину необходимо заменить, демонтируйте регулировочную пластину с шины и установите ее на новую шину, как показано на Рис. 5.

ЭКСПЛУАТАЦИЯ

ПРИМЕНЕНИЕ

Инструмент можно использовать для валки и обрезки деревьев, а также для распилки древесины.

ПРИМЕЧАНИЕ. Инструмент должен использоваться только по назначению. Любое другое использование, кроме упомянутого, считается ненадлежащим.

УСТАНОВКА И ДЕМОНТАЖ АККУМУЛЯТОРА

Перед первым использованием полностью зарядите аккумулятор.

Используйте только аккумуляторы и зарядные устройства EGO, указанные ниже.

АККУМУЛЯТОР	ЗАРЯДНОЕ УСТРОЙСТВО
BA1120E, BA2240E, BA1400, BA2800, BA3360, BA4200, BA1400T, BA2800T, BA4200T, BA5600T	CH2100E, CH5500E

Установка

94

Совместите ребра аккумулятора с крепежными отверстиями и прижмите аккумулятор до щелчка (Рис. 6).

Демонтаж

Нажмите кнопку фиксации аккумулятора и извлеките аккумулятор (Рис. 7).

СВЕТОДИОДНАЯ ПОДСВЕТКА

Светодиодная подсветка (Рис. 1-15) расположена спереди силового блока пилы. Эта функция обеспечивает дополнительное освещение для улучшения видимости и имеет два уровня яркости.

Для включения подсветки нажмите один раз кнопку (Рис. 1-14). Подсветка обеспечивает яркий свет перед цепной пилой. Нажмите кнопку второй раз, чтобы увеличить яркость подсветки.

Чтобы выключить подсветку, нажмите кнопку в третий раз.

ЗАПУСК И ОСТАНОВКА ЦЕПНОЙ ПИЛЫ

Перед запуском или остановкой цепной пилы

ПРИМЕЧАНИЕ. Перед запуском пилы необходимо проверить натяжение цепи, уровень масла, остроту зубьев, а также правильность работы ручки тормоза. Кроме того, необходимо принять правильную стойку и удерживать инструмент на надлежащем расстоянии от земли.

Включение

- Переведите ручку тормоза в рабочее положение, потянув ее в сторону передней рукоятки.
- Крепко возьмитесь одной рукой за переднюю, а другой — за заднюю рукоятку.
- Чтобы запустить инструмент, нажмите и удерживайте кнопку блокировки, а затем нажмите курковый переключатель. Скорость вращения цепи увеличивается пропорционально силе нажатия на курок.
- Для продолжительной работы отпустите кнопку блокировки и продолжайте зажимать курок.

Правильный хват (Рис. 8)

- Для обеспечения крепкого захвата и максимальной защиты наденьте нескользящие перчатки.
- Положите пилу на ровную прочную поверхность и крепко возьмитесь за нее обеими руками.
- Всегда беритесь за переднюю рукоятку левой рукой, а за заднюю — правой.
- Пальцы должны плотно охватывать рукоятку, причем большой палец должен быть под передней рукояткой.

⚠ ПРЕДУПРЕЖДЕНИЕ. Никогда не держитесь левой рукой за заднюю рукоятку и не работайте в положении, в котором тело или рука пересекают линию цепи (Рис. 9).

Правильная стойка (Рис. 10)

- Обе ноги должны стоять на твердой поверхности, масса тела должна быть равномерно распределена между ними.
- Левая рука должна быть прямой, локоть зафиксирован. Это поможет бороться с отдачей.
- Тело оператора должно находиться слева от линии цепи.

РАСПИЛИВАНИЕ

Основная процедура резки

- Начинающему пользователю рекомендуется потренироваться пилить бревна на козлах.
- Начните резку, слегка прижимая шину к заготовке. Применяйте лишь небольшое давление, позволяя устройству выполнить работу.
- Сохраняйте постоянную скорость на всем протяжении резки, снимая давление непосредственно перед ее окончанием.

⚠ ПРЕДУПРЕЖДЕНИЕ. Если во время работы цепь остановилась из-за зажатия, отпустите курок и извлеките пилу из распила, а затем продолжайте работу.

⚠ ПРЕДУПРЕЖДЕНИЕ. Не тяните за пильную цепь руками, если она забилась опилками.

⚠ ПРЕДУПРЕЖДЕНИЕ. Не запускайте пилу, если цепь касается заготовки. Прежде чем начинать резать заготовку, дайте инструменту набрать полную скорость.

ВАЛКА ДЕРЕВЬЕВ

- Если несколько человек одновременно валят и распиливают деревья в одном месте, то валка должна выполняться отдельно от распиливания на расстоянии, которое по крайней мере вдвое превышает высоту спиливаемых деревьев. Спиливаемое дерево при падении не должно представлять угрозу для людей, коммуникационных линий и имущества. Если дерево повредит коммуникационную линию, об этом нужно немедленно сообщить в обслуживающую организацию.
- При работе на склоне оператор должен стоять выше дерева, так как спиленное дерево может покатиться вниз.

- Путь отхода должен быть спланирован и очищен от посторонних предметов перед началом работы. Путь отхода должен быть направлен по диагонали в сторону, противоположную предполагаемому направлению падения (см. Рис. 11).

11-1	Направление падения
------	---------------------

- Перед валкой необходимо рассчитать, в какую сторону дерево будет падать, учитывая его естественный наклон, расположение крупных ветвей и направление ветра.
- Удалите с дерева грязь, камни, рыхлую кору, гвозди, скобы и провода.

Подпил

Сделайте подпил глубиной в 1/3 диаметра дерева перпендикулярно направлению падения, как показано на Рис. 12. Сначала сделайте нижний горизонтальный подпил. Это поможет избежать защемления цепи пилы или шины во время выполнения второго подпила.

Задний пропил

- Выполните задний пропил как минимум на 50 мм выше горизонтального, как показано на Рис. 12-3.

12-1	Направление падения	12-3	Задний пропил
12-2	Прорезь	12-4	Шарнир

Задний пропил должен быть параллелен горизонтальному подпилу. Выполняя задний пропил, оставьте достаточно дерева, чтобы оно работало как ось. Деревянная ось предохранит дерево от наклона и падения в неправильном направлении. Не распиливайте ось.

- При приближении заднего пропила к оси дерево должно начать падать. Если существует вероятность, что дерево может упасть в другом направлении или может наклониться и защемить пилу, прекратите пилить, пока задний пропил еще не завершен, и используйте деревянные, пластиковые или алюминиевые клинья, чтобы открыть пропил и направить дерево по правильной траектории падения.
- Когда дерево начнет падать, уберите пилу из пропила, остановите двигатель и положите ее, а затем используйте запланированный путь отхода. Остерегайтесь падающих веток и смотрите под ноги.

RU

Обрезка ветвей

Обрезка — это удаление веток со спиленного дерева. При обрезке оставьте большие нижние ветви, чтобы они поддерживали ствол дерева над землей. Спиливайте небольшие ветки одним движением, как показано на Рис. 13. Распиливая ветви под нагрузкой, срежьте их последовательно, начиная с нижних, чтобы избежать застревания пилы.

Раскряжевка бревна

- Раскряжевка — это распиливание бревен на части. При работе важно сохранять устойчивое положение и равномерно распределять вес тела на обе ноги. При возможности бревно должно поддерживаться козлами, другими бревнами или чурбанами. Для облегчения работы следуйте простым правилам.
- Если бревно поддерживается по все длине, как показано на Рис. 14, его необходимо распиливать сверху вниз.
- Если бревно поддерживается только с одной стороны, как показано на Рис. 15, его необходимо подпилить на 1/3 диаметра
- снизу. Затем распил завершается сверху.
- Если бревно поддерживается с обоих концов, как показано на Рис. 16, сделайте пропил глубиной в 1/3 диаметра сверху. Затем распил остальных 2/3 диаметра завершается снизу.
- При работе на склоне всегда стойте выше бревна, как показано на Рис. 17.
- Чтобы сохранять полный контроль при сквозном пропилах, ослабьте давление резки ближе к концу пропила, не ослабляя хватку на рукоятках пилы. Не допускайте контакта цепи с землей. После завершения распила подождите, пока цепь остановится, прежде чем двигать пилу. Всегда выключайте пилу перед перемещением от одного дерева к другому.

ОБСЛУЖИВАНИЕ

СМАЗКА ШИНЫ И ЦЕПИ

ПРИМЕЧАНИЕ. Пила не заправляется маслом на заводе. Перед использованием инструмента необходимо залить в него масло. Цепь автоматически смазывается маслом во время использования.

1. Положите пилу набок, так чтобы крышка масляного резервуара оказалась сверху.
2. Очистите крышку и пространство вокруг нее, а затем снимите ее, повернув против часовой стрелки (Рис. 18).

3. Аккуратно залейте специальное масло в резервуар до нижнего края фильтра.
4. Протрите пролитое масло и закройте крышку.

ПРИМЕЧАНИЕ. Когда пила находится в вертикальном положении, масло должно закрывать смотровое окошко. Если в смотровое окошко не видно масла, немедленно остановите инструмент и заправьте его.

ОЧИСТКА

- После каждого использования очищайте цепь и шину мягкой щеткой. Очищайте поверхность пилы чистой тканью, смоченной в слабом мыльном растворе.
- Снимите боковой кожух и очистите шину, цепь, зубчатое колесо и кожух мягкой щеткой.
- При замене пильной цепи всегда очищайте паз шины цепи от щепок, опилок и загрязнений.

УХОД ЗА ШИНОЙ

Если шина имеет признаки износа, демонтируйте ее с силового блока, переверните и установите заново (Рис. 19), чтобы распределить износ для обеспечения максимального срока службы шины.

Шину необходимо очищать и проверять на наличие износа и повреждений каждый день после использования. Появление зазубрин и стружек на шине — нормальное явление, свидетельствующее об ее износе. Такие дефекты необходимо удалять напильником сразу же при их обнаружении. При наличии любого из перечисленных ниже дефектов шину необходимо заменить.

- Износ внутренней части шины, из-за которого цепь съезжает набок.
- Изгиб шины.
- Трещины или разрыв направляющих.
- Расширение направляющих.

Кроме того, на конце шины установлено зубчатое колесо (Рис. 20-1). Чтобы продлить срок службы шины, раз в неделю колесо необходимо смазывать из масленки (Рис. 21). Смазывайте шину маслом для цепи раз в неделю, подавая его из масленки в смазочное отверстие (Рис. 20-2). Переверните шину цепи и убедитесь, что смазочные отверстия и паз цепи не загрязнены.

ОБСЛУЖИВАНИЕ ЦЕПИ

- Устанавливайте на инструмент только пильные цепи с низкой отдачей. При правильном уходе цепи для быстрой резки позволяют снизить отдачу.
- Правильно заточенные цепи легко распиливают

дерево даже при минимальном давлении.

Не используйте тупые и поврежденные цепи.

Использование тупых цепей приводит к повышенной физической нагрузке на оператора, увеличению уровня вибрации, низкой эффективности работы и чрезмерному износу инструмента.

- Для поддержания скорости и эффективности работы за цепью необходимо ухаживать надлежащим образом. Если опилки получаются очень мелкими и при работе выделяется много пыли, при распилке приходится прилагать слишком много усилий или линия распила получается неровной, цепь необходимо заточить. При уходе за цепью обратите внимание на следующее.
- Неправильный угол заточки режущих зубьев повышает отдачу.
- Зазор ограничительных зубьев. Слишком маленький зазор увеличивает отдачу. Недостаточно маленький зазор снижает эффективность работы инструмента.
- Если зубья цепи подвергались ударам о твердые предметы, например гвозди или камни, или износу из-за грязи или песка на заготовке, необходимо обратиться к квалифицированному специалисту для заточки цепи.

ТРАНСПОРТИРОВКА И ХРАНЕНИЕ

- Не убирайте на хранение и не переносите инструмент, когда он работает. Перед хранением и транспортировкой всегда извлекайте аккумулятор из устройства.
- Перед транспортировкой или хранением инструмента всегда надевайте на цепь чехол. Будьте осторожны с острыми зубьями цепи.
- Прежде чем убрать пилу на хранение, тщательно очистите ее. Храните пилу в надежном сухом помещении, недоступном для детей.
- Храните вдали от источников коррозии, таких как садовые удобрения и техническая соль.

Защита окружающей среды



Утилизация отходов электрического и электронного оборудования (WEEE)

Не выбрасывайте электроприборы, зарядные устройства и аккумуляторные батареи вместе с бытовыми отходами! Отправьте данное изделие на переработку в специализированное предприятие или сдайте его для раздельного сбора. Электроинструменты должны быть возвращены на перерабатывающее предприятие, не наносящее ущерба окружающей среде.

RU

УСТРАНЕНИЕ НЕПОЛАДОК

ПРОБЛЕМА	ПРИЧИНА	РЕШЕНИЕ
<p>Двигатель не запускается.</p>	<ul style="list-style-type: none"> ■ В инструмент не установлена аккумуляторная батарея. ■ Нет электрического контакта между пилой и аккумулятором. ■ Аккумулятор разряжен. ■ Перегрев аккумуляторной батареи или пилы. ■ Сработал цепной тормоз. ■ В пазу шины скопился мусор. ■ Под боковой кожух набился мусор. 	<ul style="list-style-type: none"> ■ Установите аккумулятор в инструмент. ■ Извлеките аккумулятор, проверьте контакты и установите его снова. ■ Зарядите аккумулятор. ■ Подождите, пока аккумулятор или пила не остынут до 67 °С. ■ Переведите ручку тормоза в рабочее положение, потянув ее в сторону передней рукоятки. ■ Прижмите цепь к заготовке и перемещайте назад и вперед, чтобы удалить загрязнения. ■ Извлеките аккумулятор, затем снимите боковой кожух и удалите загрязнения.
<p>Цепная пила останавливается во время работы.</p>	<ul style="list-style-type: none"> ■ Пила перегружена. ■ Перегрев аккумуляторной батареи или пилы. ■ Цепь зажата в заготовке. 	<ul style="list-style-type: none"> ■ Уменьшите нагрузку. ■ Уменьшите нагрузку. Подождите, пока аккумулятор или пила не остынут до 67 °С. ■ Отпустите курок. Извлеките шину из заготовки, затем запустите пилу снова.
<p>Двигатель работает, но цепь не вращается.</p>	<ul style="list-style-type: none"> ■ Цепь не зацепляется за зубчатое колесо. ■ Ручка цепного тормоза не может свободно двигаться из-за мусора. ■ Тормозная система неисправна. 	<ul style="list-style-type: none"> ■ Установите цепь заново и убедитесь, что приводные звенья надежно прилегают к зубчатому колесу. ■ Ручка цепного тормоза не может свободно двигаться из-за мусора. ■ Обратитесь в службу поддержки клиентов EGO для ремонта.

RU

ПРОБЛЕМА	ПРИЧИНА	РЕШЕНИЕ
Пила не режет надлежащим образом.	<ul style="list-style-type: none"> ■ Цепь плохо натянута. ■ Цепь затупилась. ■ Цепь установлена задом наперед. ■ Цепь изношена. ■ Цепь не смазывается или сильно растянулась. 	<ul style="list-style-type: none"> ■ Сначала ослабьте регулятор натяжения цепи не менее двух раз против часовой стрелки, а затем полностью натяните его по часовой стрелке, пока цепь не будет правильно натянута. ■ Заточите зубцы цепи. См. раздел ЗАТОЧКА ЗУБЦОВ. ■ Переустановите цепь, следуя инструкциям в разделе СБОРКА/ЗАМЕНА ШИНЫ И ЦЕПИ. ■ Замените цепь, следуя инструкциям в разделе СБОРКА/ЗАМЕНА ШИНЫ И ЦЕПИ. ■ Проверьте уровень масла в резервуаре. При необходимости залейте масло в резервуар.
Цепь соскакивает с шины.	<ul style="list-style-type: none"> ■ Цепь плохо натянута. ■ Цепь не зацепляется за зубчатое колесо. 	<ul style="list-style-type: none"> ■ Сначала ослабьте регулятор натяжения цепи не менее двух раз против часовой стрелки, а затем полностью натяните его по часовой стрелке, пока цепь не будет правильно натянута. ■ Переустановите цепь, следуя инструкциям в разделе СБОРКА/ЗАМЕНА ШИНЫ И ЦЕПИ. убедитесь, что приводные звенья надежно прилегают к зубчатому колесу.
Шина и цепь нагреваются и дымятся.	<ul style="list-style-type: none"> ■ Резервуар для масла пуст. ■ В пазу шины скопился мусор. 	<ul style="list-style-type: none"> ■ Заправьте инструмент маслом. ■ Удалите мусор из паза.

ГАРАНТИЯ

ГАРАНТИЙНАЯ ПОЛИТИКА EGO

Посетите веб-сайт egopowerplus.com, чтобы ознакомиться со всеми условиями и сроками гарантийной политики EGO.

PRZECZYTAJ WSZYSTKIE INSTRUKCJE!



PRZECZYTAJ INSTRUKCJĘ OBSŁUGI

⚠ Ryzyko resztkowe! Osoby z urządzeniami elektronicznymi, takimi jak rozruszniki serca, powinny przed użyciem produktu skonsultować się ze swoim(i) lekarzem(-ami). Używanie urządzeń elektrycznych blisko rozrusznika serca może spowodować zakłócenia lub uszkodzić rozrusznik.

SYMBOL BEZPIECZEŃSTWA

Celem symboli bezpieczeństwa jest zwrócenie uwagi użytkownika na możliwe zagrożenia. Symbole bezpieczeństwa i objaśnienia do nich zasługują na to, aby je uważnie przestudiować i zrozumieć. Symbole bezpieczeństwa nie eliminują same z siebie jakichkolwiek zagrożeń. Podawane

w nich instrukcje i ostrzeżenia nie zastępują odpowiednich środków zapobiegania wypadkom.

⚠ OSTRZEŻENIE: Przed użyciem narzędzia należy koniecznie przeczytać ze zrozumieniem wszystkie instrukcje dotyczące bezpieczeństwa podane w podręczniku użytkownika, łącznie z wszystkimi symbolami ostrzegawczymi takimi jak „**NIEBEZPIECZEŃSTWO**”, „**OSTRZEŻENIE**” i „**UWAGA**”. Niestosowanie się do wszystkich podanych niżej instrukcji może doprowadzić do porażenia prądem, pożaru i/lub poważnych obrażeń.

ZNACZENIE SYMBOLI

Na tej stronie pokazano i opisano symbole bezpieczeństwa, które mogą występować na produkcie. Przed podjęciem próby złożenia i użycia urządzenia należy przeczytać i zrozumieć wszystkie instrukcje dotyczące narzędzia oraz zastosować się do nich.

SYMBOLE BEZPIECZEŃSTWA

PL



Ostrzeżenie dotyczące bezpieczeństwa



Noś okulary ochronne



Noś kask ochronny



Prowadnica



Odbicie czubka prowadnicy



Chroń przed deszczem.



Zużytych wyrobów elektrycznych nie należy wyrzucać razem ze zwykłymi odpadami domowymi. Należy je oddać do autoryzowanego punktu recyklingu.



V Wolt



Prąd stały



Aby zmniejszyć ryzyko urazów, przed rozpoczęciem korzystania z produktu, użytkownik musi przeczytać i zrozumieć instrukcję.



Noś ochronniki słuchu



Noś rękawice ochronne



Nie używaj pilarki łańcuchowej jedną ręką



Pilarki łańcuchowej należy zawsze używać obiema rękoma



Uwaga na odbicie pilarki łańcuchowej, należy unikać kontaktu z czubkiem prowadnicy



Hałas

min⁻¹ Obroty na minutę

CE

SPECYFIKACJA

Napięcie	56 V	
Zalecana temperatura użytkowania:	-15°C-40°C	
Zalecana temperatura przechowywania:	-20°C-70°C	
Optymalna temperatura ładowania	5 °C-40 °C	
Prędkość łańcucha	20 m/s	
Podziałka łańcucha	9.5 mm	
Grubość łańcucha	1,3 mm	
Rodzaj łańcucha tnącego	91PX062X 90PX056X 90PX052X	
Rodzaj prowadnicy	180SDEA041 164MLEA041 144MLEA041	
Pojemność zbiornika na olej	200 ml	
Ciężar (bez akumulatora i osłony łańcucha)	4,4kg	
Zmierzony poziom mocy akustycznej L_{WA}	103,53 dB(A) K=1,17 dB(A)	
Poziom ciśnienia akustycznego na wysokości ucha operatora L_{PA}	92,53 dB(A) K=3,0 dB(A)	
Gwarantowany poziom mocy akustycznej L_{WA} (zgodnie z dyrektywą 2000/14/WE)	105 dB(A)	
Drgania a_h	Uchwyt przedni	5,158 m/s ² K=1,5 m/s ²
	Uchwyt tylny	5,537 m/s ² K=1,5 m/s ²

- Deklarowana całkowita wartość drgań została zmierzona zgodnie ze standardowymi metodami testowania i może służyć do porównywania różnych narzędzi.
- Deklarowana całkowita wartość drgań może również służyć do wstępnej oceny narażenia na drgania.

UWAGA: Emisja dźwięku podczas rzeczywistego stosowania elektronarzędzia może różnić się od deklarowanej wartości, w której narzędzie jest używane; aby się zabezpieczyć, użytkownik powinien nosić rękawice i ochronniki na uszy w rzeczywistych warunkach użytkowania.

OPIS

ZAPOZNANIE SIĘ Z PILARKĄ (Rys. 1)

1. Otwór do smarowania

2. Prowadnica
3. Łańcuch tnący
4. Korek wlewu zbiornika oleju
5. Dźwignia hamulca łańcucha
6. Uchwyt przedni
7. Przycisk wyjmowania akumulatora
8. Przycisk odblokowujący
9. Przełącznik spustowy z regulacją prędkości
10. Styki elektryczne
11. Mechanizm odłączania
12. Okienko kontroli oleju
13. Uchwyt tylny
14. Przycisk LED
15. Lampka LED
16. Ostrogi
17. Pokrętło szybkiego napinania łańcucha
18. Pokrywa boczna
19. Osłona łańcucha

LISTA ELEMENTÓW W OPAKOWANIU

PL

NAZWY CZĘŚCI	ILOŚĆ
Głowica napędowa pilarki	1
Łańcuch tnący	1
Prowadnica	1
Osłona łańcucha	1
Instrukcja obsługi	1

MONTAŻ

MONTAŻ/WYMIANA PROWADNICY I ŁAŃCUCHA

⚠ OSTRZEŻENIE: Przed przystąpieniem do montażu rękojeść hamulca łańcucha należy ustawić w pozycji hamowania.

1. Położyć głowicę napędową pilarki na boku, pokrywą boczną skierowaną do góry (Rys. 2).
2. Przekreślić pokrętło szybkiego napinania łańcucha w lewo (przeciwnie do kierunku ruchu wskazówek zegara) i zdjąć pokrywę boczną.
3. Położyć nowy łańcuch w postaci pętli na płaskiej powierzchni i wyprostować wszelkie splecione miejsca.
4. Włożyć ogniwa przesuwające łańcuch do rowka prowadnicy w taki sposób, aby z tyłu prowadnicy utworzyć pętlę (Rys. 3).

3-1	Ogniwa przesuwające łańcuch
3-2	Rowek prowadnicy

- Przytrzymać łańcuch w odpowiedniej pozycji na prowadnicy i nałożyć pętlę na zębatkę głowicy napędowej (Rys. 4).

UWAGA: Na łańcuchu tnącym i głowicy napędowej wygrawerowane są małe strzałki pokazujące kierunek. Podczas zakładania łańcucha tnącego na prowadnicę należy upewnić się, że kierunek strzałek kierunkowa na łańcuchu pokrywa się z kierunkiem strzałki na głowicy napędowej.

- Założyć z powrotem pokrywę boczną i mocno zakręcić pokrętło szybkiego napinania łańcucha. Zębatka ekscentryczna w środku pokrywy bocznej została zaprojektowana w taki sposób, aby łańcuch nie był zbyt mocno napięty.
- Ustawić dźwignię hamulca łańcucha w pozycji roboczej i przekręcić łańcuch ręką, aby sprawdzić, czy jest prawidłowo założony i czy nie zacina się. W przeciwnym razie złożyć łańcuch i prowadnicę ponownie.

UWAGA: Do prowadnicy jest przykręcona śrubą płytka regulująca. Jeśli prowadnica wymaga wymiany, płytkę tę należy odkręcić ze starej prowadnicy i przelożyć na nową prowadnicę tak jak pokazano na Rys. 5.

UŻYTKOWANIE

ZASTOSOWANIE

Tego narzędzia można używać do obalania, okrzesywania i pilowania drzew.

UWAGA: Narzędzia należy używać tylko do celów zgodnych z przeznaczeniem. Wszelkie inne zastosowania uznaje się za niezgodne z przeznaczeniem.

ZAKŁADANIE/WYJMOWANIE AKUMULATORA

Naladować przed pierwszym użyciem.

Do urządzenia należy używać wyłączanie ładowarek i akumulatorów marki EGO wymienionych poniżej:

AKUMULATOR	ŁADOWARKA
BA1120E, BA2240E, BA1400, BA2800, BA3360, BA4200, BA1400T, BA2800T, BA4200T, BA5600T	CH2100E, CH5500E

Zakładanie

Należy dopasować żeberka akumulatora do szczelin

mocujących i wsunąć akumulator do ładowarki aż da się słyszeć kliknięcie (Rys. 6).

Wyjmowanie

Należy wcisnąć przycisk wyjmowania akumulatora i wysunąć akumulator (Rys. 7).

LAMPKA LED

Lampka LED (Rys. 1-15) znajduje się z przodu głowicy napędowej pilarki. Element ten poprawia widoczność; w lampce można ustawić 2 poziomy jasności.

Aby włączyć oświetlenie, należy 1 raz nacisnąć przycisk LED (Rys. 1-14). Lampka zapewnia jasne oświetlenie strefy z przodu pilarki. Drugie wciśnięcie przycisku LED zwiększa jasność.

Aby wyłączyć oświetlenie, należy nacisnąć przycisk LED po raz trzeci.

WŁĄCZANIE/WYŁĄCZANIE PILARKI

Przed włączeniem pilarki

UWAGA: Przed włączeniem pilarki należy sprawdzić pokrętło szybkiego napinania łańcucha, poziom oleju, naostrzenie zębów tnących oraz działanie dźwigni hamulca łańcucha. A także: stabilność podłoża i w razie potrzeby wystarczającą od niego odległość.

Włączanie

- Pociągnąć dźwignię hamulca łańcucha do uchwyty przedniego, do pozycji roboczej.
- Obiema rękoma mocno chwycić za przedni i tylny uchwyt.
- Nacisnąć i przytrzymać przycisk odblokowujący, a następnie wcisnąć przełącznik spustowy z regulacją prędkości, aby włączyć pilarkę. Prędkość łańcucha zwiększa się w miarę zwiększania siły nacisku na przełącznik spustowy.
- Puścić przycisk odblokowujący, ale w dalszym ciągu wciskać przełącznik spustowy, aby narzędzie kontynuowało pracę.

Prawidłowe trzymanie uchwytów (Rys. 8)

- Aby zapewnić optymalne trzymanie i maksymalną ochronę, należy zakładać rękawice antypoślizgowe.
- Położyć pilarkę na twardym, płaskim podłożu i mocno ją chwycić obiema rękoma.
- Należy zawsze chwycić przedni uchwyt lewą ręką, a tylny uchwyt prawą.
- Palce powinny obejmować uchwyt, a kciuk należy umieścić pod przednim uchwytem.

⚠ OSTRZEŻENIE: Nigdy nie należy chwycić odwrótnie

(na krzyż) lub ustawiać się w pozycji, w której ciało lub ramię znajdowałoby się na linii łańcucha (Rys. 9)

Prawidłowa postawa podczas piłowania (Rys. 10)

- Obiema stopami należy stanąć na pewnym podłożu, a ciężar ciała rozłożyć równomiernie na obie nogi.
- Lewe ręką powinna być wyprostowana w łokciu. Pomaga to wytrzymać siły powstające wskutek odbicia.
- Ciało użytkownika powinno się zawsze znajdować po lewej stronie linii wyznaczonej przez łańcuch.

PIŁOWANIE

Piłowanie – podstawy

- Nowy użytkownik powinien najpierw pocwiczyć piłowanie bali na koźle lub stojaku.
- Piłowanie należy rozpocząć od lekkiego dociśnięcia prowadnicy do drewna. Należy tylko lekko naciskać narzędzie i pozwolić pilarcze wykonać całą pracę.
- W czasie całego procesu piłowania należy utrzymywać stałe obroty. Tuż przed samym końcem należy zmniejszyć nacisk.

⚠ OSTRZEŻENIE: Gdy łańcuch tnący zatrzyma się wskutek zaklinowania się łańcucha podczas piłowania, należy puścić przełącznik spustowy; wyjąć łańcuch tnący i prowadnicę z drewna, a następnie ponownie włączyć pilarkę.

⚠ OSTRZEŻENIE: Gdy łańcuch tnący zapcha się wiórami, nie należy go ciągnąć ręką.

⚠ OSTRZEŻENIE: Nigdy nie należy włączać pilarki, gdy dotyka ona drewna. Przed przyłożeniem pilarki do drewna należy zawsze pozwolić, aby silnik rozprędził się do swoich maksymalnych obrotów.

OBALANIE DRZEWA

- Podczas jednoczesnego wykonywania operacji obalania i cięcia na kawałki przez 2 osoby lub więcej, operacje obalania i piłowania na kawałki należy wykonywać w bezpiecznej odległości od siebie, tj. w odległości co najmniej dwukrotnej wysokości obalanego drzewa. Drzew nie wolno obalać w sposób, który zagrażałby jakimkolwiek osobom. Należy pilnować, aby drzewo nie spadło na linie wysokiego napięcia i aby upadające nie spowodowało innych strat materialnych. Jeżeli drzewo dotyka linii wysokiego napięcia, należy o tym natychmiast powiadomić firmę zarządzającą linią.
- Jeżeli obalane drzewo rośnie na zboczu, operator pilarki powinien stać powyżej drzewa, ponieważ po ścięciu drzewo prawdopodobnie potoczy się w dół.
- Przed rozpoczęciem piłowania należy zaplanować i oczyścić z przeszkód ścieżkę oddalania. Ścieżka

oddalania powinna bieć ukośnie w tył względem oczekiwanej linii upadku drzewa, tak jak pokazano na Rys. 11.

11-1	Kierunek obalania
------	-------------------

- Przed rozpoczęciem obalania należy zastanowić się nad naturalnym nachyleniem drzewa, położeniem większych konarów oraz kierunkiem wiatru. Czynniki te należy uwzględnić przy wyborze kierunku obalania.
- Z drzewa należy usunąć zanieczyszczenia, kamienie, luźną korę, gwoździe, kłamy i druty.

Rzaz podcinający

Rzaz należy wykonać na głębokość 1/3 średnicy drzewa, prostopadle do kierunku obalania, tak jak na rys. 12. Najpierw należy wykonać dolne nacięcie poziome. W ten sposób łańcuch i prowadnica pilarki nie będą się zakleszczały w nacięciu podczas wykonywania drugiego nacięcia.

Rzaz ścinający

- Rzaz ścinający należy wykonać co najmniej 50 mm wyżej niż poziomy rzaz podcinający, tak jak pokazano na Rys. 12-3.

12-1	Kierunek obalania	12-3	Rzaz ścinający
12-2	Karb	12-4	Zawiasa

Rzaz ścinający powinien być równoległy do poziomego rzazu podcinającego. Rzaz ścinający należy wykonać w taki sposób, aby zostawił dostatecznie dużą część drzewa, która spełni rolę zawiasy. Zawiasa zapobiega obróceniu się drzewa w czasie obalania oraz upadkowi w złym kierunku. Zawiasy nie należy więc przecinać.

- Gdy rzaz ścinający zbliży się do zawiasy, drzewo powinno zacząć upadać. Jeżeli istnieje ryzyko, że drzewo może упаść w złą stronę lub stoczyć się lub zakleszczyć łańcuch pilarki, należy przerwać piłowanie przed dokończeniem rzazu ścinającego oraz użyć klinów (drewnianych, plastikowych lub aluminiowych) w celu otwarcia nacięcia i obalania drzewa w zaplanowaną stronę.
- Gdy drzewo zacznie opadać należy wyjąć pilarkę z nacięcia, wyłączyć silnik, opuścić pilarkę w dół i wycofać się zaplanowaną ścieżką oddalania. Należy uważać na spadające gałęzie i nierówności podłoża.

Okrzesywanie drzewa

Okrzesywanie polega na obcinaniu gałęzi obalonego drzewa. Podczas okrzesywania należy zostawić konary znajdujące się na dole i podtrzymujące pień nad ziemią.

PL

Małe gałęzie należy usuwać jednym cięciem, tak jak pokazano na Rys. 13. Naprężone gałęzie należy przecinać od dołu w górę, tak aby uniknąć zakleszczania się łańcucha.

Przecinanie kłód

- Przecinanie kłód to cięcie obalonego pnia na kawałki. Ważne: operator powinien pilnować, aby stać na pewnym podłożu i równomiernie rozkładać swój ciężar na obu nogach. Jeśli to możliwe, kłodę należy unieść i oprzeć na innych kłodach, gałęziach lub klockach drewnianych. Aby cięcie odbyło się bezproblemowo, prosimy pamiętać o następujących prostych zaleceniach:
 - Gdy kłoda jest podparta na całej długości, tak jak na Rys. 14, należy ją ciąć od góry (nacięcie).
 - Gdy kłoda jest podparta na 1 końcu, tak jak na Rys. 15, należy najpierw naciąć ją od dołu na 1/3 średnicy (podcięcie). Następnie należy wykonać cięcie kończące od góry (nacięcie), do wcześniejszego podcięcia.
 - Gdy kłoda jest podparta na obu końcach, tak jak na Rys. 16, należy najpierw naciąć ją od góry na 1/3 średnicy (nacięcie). Następnie wykonać cięcie kończące od dołu (podcięcie), na dolne 2/3 średnicy, do wcześniejszego nacięcia.
- Podczas przecinania kłód na zboczu należy zawsze stać powyżej kłody, tak jak na Rys. 17.
- Podczas przecinania „do końca”, aby zachować pełną kontrolę, pod koniec cięcia należy zmniejszyć nacisk na ostrze, jednak bez poluzowania uchwytu pilarki. Nie należy dopuszczać do zetknięcia się łańcucha z ziemią. Po wykonaniu cięcia należy odczekać aż łańcuch pilarki zatrzyma się i dopiero potem przemieścić pilarkę. Przy przeniesieniu się od jednego drzewa do drugiego należy zawsze wyłączyć silnik.

KONSERWACJA

SMAROWANIE PROWADNICY I ŁAŃCUCHA

UWAGA: W momencie zakupu w pilarcie nie ma oleju. Bardzo ważne jest, aby przed użyciem wlać olej do zbiornika na olej. W czasie pracy łańcuch jest automatycznie smarowany olejem do łańcucha.

1. Położyć pilarkę na boku, wlewem zbiornika na olej do góry.
2. Wyczyścić korek i otoczenie wlewu, po czym odkręcić go w lewo i zdjąć (Rys. 18).
3. Ostrożnie nalać wskazanego rodzaju oleju do zbiornika aż pod szyjkę filtra.
4. Wyrzec nadmiar oleju i zakręcić korek.

UWAGA: W pozycji pionowej olej powinien wypełniać okienko kontroli. Gdy w okienku kontroli nie widać już w ogóle oleju, należy natychmiast przerwać pracę narzędziem i uzupełnić olej.

CZYSZCZENIE

- Po każdym użyciu należy miękką szczoteczką usunąć zanieczyszczenia z łańcucha i prowadnicy. Powierzchnię pilarki należy przetrzeć czystą szmatką zwilżoną roztworem delikatnego mydła.
- Zdjąć pokrywę boczną i miękką szczoteczką usunąć zanieczyszczenia z prowadnicy, łańcucha tnącego, zębątki i pokrywy bocznej.
- Przy wymianie łańcucha tnącego należy zawsze usunąć z rowka prowadnicy drzazgi, wióry i zanieczyszczenia.

KONSERWACJA PROWADNICY

Gdy prowadnica wykazuje ślady zużycia, należy ją wymontować z głowicy napędowej pilarki, odwrócić i zamontować ponownie (Rys. 19). W ten sposób jej zużywanie się rozkłada się równomiernie, przez co czas użytkowania jest maksymalny.

Prowadnicę należy czyścić każdego dnia pracy, jednocześnie należy ją kontrolować pod kątem zużycia i uszkodzenia. Szczerbienie się lub powstawanie wżerów na prowadnicy jest normalnym procesem zużywania się. Tego typu defekty należy wygładzać pilnikiem natychmiast gdy się pojawią. Prowadnicę z następującymi defektami należy wymienić:

- Zużycie od środka szyn prowadnicy, pozwalające łańcuchowi zsuwać się na boki.
- Wygięta prowadnica.
- Pęknięte lub uszkodzone szyny.
- Rozgięte szyny.

Ponadto, prowadnica ma na końcu zębątkę (Rys. 20-1). Zębątką ta musi być co tydzień smarowana strzykawką olejową – przedłuży to czas użytkowania prowadnicy (Rys. 21). Cotygodniowe smarowanie należy wykonywać przez wstrzykiwanie strzykawką olejową oleju do łańcuchów przez otwór do smarowania (Rys. 20-2). Przekręcić prowadnicę i sprawdzić, czy otwory do smarowania i rowek na łańcuch nie są zanieczyszczone.

KONSERWACJA ŁAŃCUCHA

W tej pilarcie należy używać wyłącznie łańcuchów o małej podatności na odbicie. Pod warunkiem prawidłowej pielęgnacji, ten szybko tnący łańcuch ogranicza ryzyko odbicia.

Prawidłowo naostrzony łańcuch pilarki bez trudu przecina drewno nawet jeśli się go tylko bardzo lekko dociska. Nigdy nie należy używać tępego lub uszkodzonego łańcucha

tnącego. Tępy łańcuch pilarki zwiększa wysiłek fizyczny, prowadzi do większych drgań i niezadowolających efektów pracy, a także przyspiesza zużywanie się podzespołów.

Aby gładko i szybko ciąć, łańcuch musi być właściwie utrzymywany. Jeśli wióry stają się małe i tworzy się dużo pyłu, a w czasie piłowania łańcuch trzeba mocno dociskać lub jeśli łańcuch tnie tylko z jednej strony, oznacza to, że trzeba go naostrzyć. Podczas prac konserwacyjnych przy łańcuchu należy uwzględnić następujące fakty:

- Niewłaściwy kąt szlifowania płytek bocznych pilnikiem zwiększa ryzyko silnego odbicia.
- Przeświet miernika głębokości. Zbyt mały zwiększa ryzyko odbicia. Za wysoki zmniejsza zdolność cięcia.
- Jeśli zęby tnące uderzyły w twarde przedmioty, takie jak np. gwoździe i kamienie, lub jeśli są starte błotem lub piaskiem znajdującym się na drewnie, łańcuch należy oddać do naostrzenia wykwalifikowanemu technikowi serwisu.

TRANSPORT I PRZECHOWYWANIE

- Pilarki nie należy chować ani transportować w czasie, gdy urządzenie pracuje. Przed schowaniem lub transportowaniem należy zawsze wyjąć akumulator.
- Przed schowaniem lub transportowaniem pilarki należy zawsze założyć osłonę na prowadnicę. Aby nie skaleczyć się zębami łańcucha, prosimy zachować ostrożność.
- Przed schowaniem pilarkę należy dokładnie wyczyścić. Pilarkę należy przechowywać w suchym pomieszczeniu zamkniętym i/lub niedostępnym dla dzieci.
- Wyrób należy chronić przed żrącymi substancjami takimi jak chemia ogrodnicza i sól do usuwania lodu.

Ochrona środowiska



WEEE (Zużyty sprzęt elektryczny i elektroniczny)

Urządzeń elektrycznych, zużytych akumulatorów i ładowarki nie należy wyrzucać do zwykłych zmieszanych śmieci domowych! Produkt należy oddać do zbiórki selektywnej w autoryzowanym punkcie recy-klingu. Narzędzia elektryczne należy oddawać do zakładów recyklingu przyjaznych dla środowiska.

ROZWIĄZYWANIE PROBLEMÓW

PROBLEM	PRZYCZYNA	ROZWIĄZANIE
Silnik nie włącza się.	<ul style="list-style-type: none"> ■ Do pilarki nie założono akumulatora. ■ Piła i akumulator nie kontaktują. ■ Akumulator jest rozładowany. ■ Akumulator lub pilarka jest zbyt gorący/-a. ■ Zaciągnięty hamulec łańcucha. ■ Zanieczyszczenia w rowku prowadnicy. ■ Zanieczyszczenia w pokrywie bocznej. 	<ul style="list-style-type: none"> ■ Włożyć akumulator do pilarki. ■ Wyjąć akumulator, sprawdzić styki i założyć akumulator z powrotem. ■ Naładować akumulator. ■ Pozwolić, aby akumulator lub pilarka ostygły do temperatury poniżej 67 °C. ■ Pociągnąć dźwignię hamulca łańcucha w tył do uchwytu przedniego, do pozycji roboczej. ■ Docisnąć łańcuch tnący do drewna i przesunąć pilarkę do przodu i do tyłu, aby usunąć zanieczyszczenia. ■ Wyjąć akumulator, następnie zdjąć pokrywę boczną i usunąć zanieczyszczenia.
Pilarka zatrzymuje się w czasie pracy.	<ul style="list-style-type: none"> ■ Pilarka jest przeciążona. ■ Akumulator lub pilarka jest zbyt gorący/-a. ■ Łańcuch tnący zaklinował się w drewnie. 	<ul style="list-style-type: none"> ■ Zmniejszyć obciążenie. ■ Zmniejszyć obciążenie. Pozwolić, aby akumulator lub pilarka ostygły do temperatury poniżej 67 °C. ■ Puścić przelącznik spustowy; wyjąć łańcuch tnący i prowadnicę z drewna, następnie ponownie włączyć pilarkę.
Silnik pracuje, ale łańcuch nie kręci się.	<ul style="list-style-type: none"> ■ Łańcuch nie jest zaczepiony na zębatce napędowej. ■ Zanieczyszczenia uniemożliwiają pełne przestawienie dźwigni hamulca łańcucha. ■ Być może hamulec łańcucha nie działa prawidłowo. 	<ul style="list-style-type: none"> ■ Ponownie założyć łańcuch; dopilnować, aby ogniwa przesuwające łańcucha były całkowicie nałożone na zębatkę. ■ Zanieczyszczenia uniemożliwiają pełne przestawienie dźwigni hamulca łańcucha. ■ Skontaktować się z punktem obsługi klienta EGO w celu dokonania naprawy.

PL

PROBLEM	PRZYCZYNA	ROZWIĄZANIE
Pilarka nie tnie prawidłowo.	<ul style="list-style-type: none"> ■ Zbyt słabo naciągnięty łańcuch. ■ Tępy łańcuch. ■ Łańcuch założony do tyłu. ■ Zużyty łańcuch. ■ Suchy lub nadmiernie rozciągnięty łańcuch. 	<ul style="list-style-type: none"> ■ Najpierw odkręcić pokrętko szybkiego napinania łańcucha o co najmniej dwa obroty w lewo (przeciwnie do kierunku ruchu wskazówek zegara), a potem całkowicie zakręcić je w prawo (zgodnie z kierunkiem ruchu wskazówek zegara), aż łańcuch będzie prawidłowo napięty. ■ Naostrzyć zęby tnące łańcucha zgodnie z instrukcjami podanymi w części „JAK OSTRZYĆ ZĘBY TNĄCE”. ■ Ponownie założyć łańcuch zgodnie z instrukcjami podanymi w części „MONTAŻ/ WYMIANA PROWADNICY I ŁAŃCUCHA”. ■ Wymienić łańcuch zgodnie z instrukcjami podanymi w części „MONTAŻ/ WYMIANA PROWADNICY I ŁAŃCUCHA”. ■ Sprawdzić poziom oleju w zbiorniku oleju. W razie potrzeby uzupełnić olej w zbiorniku oleju.
Łańcuch spada z prowadnicy.	<ul style="list-style-type: none"> ■ Zbyt słabo naciągnięty łańcuch. ■ Łańcuch nie jest zaczepiony na zębatce napędowej. 	<ul style="list-style-type: none"> ■ Najpierw odkręcić pokrętko szybkiego napinania łańcucha o co najmniej dwa obroty w lewo (przeciwnie do kierunku ruchu wskazówek zegara), a potem całkowicie zakręcić je w prawo (zgodnie z kierunkiem ruchu wskazówek zegara), aż łańcuch będzie prawidłowo napięty. ■ Ponownie założyć łańcuch zgodnie z instrukcjami podanymi w części „MONTAŻ/ WYMIANA PROWADNICY I ŁAŃCUCHA”; dopilnować, aby ogniwa przesuwające łańcuch były całkowicie nałożone na zębatkę.
Prowadnica i łańcuch nagrzewają się i dymią.	<ul style="list-style-type: none"> ■ Zbiornik na olej jest pusty. ■ Zanieczyszczenia w rowku prowadnicy. 	<ul style="list-style-type: none"> ■ Nasmarować smarem prowadnicę i łańcuch. ■ Usunąć zanieczyszczenia z rowka.

GWARANCJA

POLITYKA GWARANCYJNA EGO

W celu zapoznania się z wszystkimi warunkami polityki gwarancyjnej EGO prosimy odwiedzić stronę egopowerplus.com.

PŘEČTĚTE SI VŠECHNY POKYNY!



PŘEČTĚTE SI NÁVOD K OBSLUZE

⚠ Zbytkové riziko! Lidé s elektronickými přístroji, jako jsou např. kardiostimulátory, by se měli před použitím toho výrobku poradit se svým lékařem. Použití elektrického zařízení v těsné blízkosti kardiostimulátoru může způsobit narušení činnosti nebo poruchu kardiostimulátoru.

SYMBOL IP

Účelem bezpečnostních symbolů je upoutat vaši pozornost k případným nebezpečím. Bezpečnostní symboly a jejich vysvětlení vyžadují vaši zvýšenou pozornost a porozumění.

BEZPEČNOSTNÍ SYMBOLY



Bezpečnostní upozornění



Používejte ochranu očí



Používejte ochranu hlavy



Vodící lišta



Zpětný ráz hrotu vodící lišty



Nevystavujte dešti.



Odpadní elektrické výrobky se nesmí likvidovat s domovním odpadem. Odevzdejte do autorizovaného recyklačního střediska.

V

Volt



Stejnoseměrný proud



Z důvodu snížení rizika úrazu si musí uživatel před použitím tohoto výrobku přečíst a seznámit se s návodem k obsluze.



Používejte chrániče sluchu



Používejte ochranné rukavice.



Nepoužívejte řetězovou pilu jednou rukou



Vždy používejte řetězovou pilu obouručně



Dejte si pozor na zpětný ráz řetězové pily a vyhněte se kontaktu s hrotem lišty



Hlučnost

min⁻¹

Otáčky za minutu



CE

TECHNICKÉ ÚDAJE

Napětí	56 V	
Doporučená provozní teplota	-15°C-40°C	
Doporučená skladovací teplota	-20°C-70°C	
Optimální teplota nabíjení	5 °C-40 °C	
Rychlost řetězu	20 m/s	
Rozteč řetězu	9,5 mm	
Měrka řetězu	1,3 mm	
Typ pilového řetězu	91PX062X 90PX056X 90PX052X	
Typ vodící lišty	180SDEA041 164MLEA041 144MLEA041	
Objem olejové nádrže	200 ml	
Hmotnost (bez akumulátoru a krytu řetězu)	4,4kg	
Měřená hladina akustického výkonu L_{WA}	103,53 dB(A) K=1,17 dB(A)	
Hladina akustického tlaku na sluch obsluhy L_{PA}	92,53 dB(A) K=3,0 dB(A)	
Zaručená úroveň akustického výkonu L_{WA} (podle směrnice 2000/14/ES)	105 dB(A)	
Vibrace a_h	Přední rukojeť	5,158 m/s ² K=1,5 m/s ²
	Zadní rukojeť	5,537 m/s ² K=1,5 m/s ²

- Celková deklarovaná hodnota vibrací byla naměřena podle standardní zkušební metody a lze ji použít ke srovnání s jiným nářadím;
- Celkovou deklarovanou hodnotu vibrací lze použít také k předběžnému stanovení expozičních limitů.

POZNÁMKA: Emise vibrací při konkrétním použití elektrického nářadí se mohou lišit od deklarované hodnoty, při které se nářadí používá; z důvodu ochrany provozovatele by měl uživatel ve skutečných pracovních podmínkách nosit rukavice a chrániče sluchu.

POPIS

SEZNAMTE SE S VAŠÍ ŘETĚZOVOU PÍLOU (obr. 1)

1. Mazací otvor
2. Vodící lišta

3. Pilový řetěz
4. Uzávěr olejové nádrže
5. Rukojeť brzdy řetězu při zpětném rázu
6. Přední rukojeť
7. Tlačítko pro uvolnění akumulátoru
8. Blokovací tlačítko
9. Páka nastavení rychlosti
10. Elektrické kontakty
11. Vysunovací mechanismus
12. Průhled pro kontrolu hladiny oleje
13. Zadní rukojeť
14. Tlačítko
15. LED světlomety
16. Oporné hroty
17. Nastavte napnutí řetězu
18. Boční kryt
19. Kryt řetězu

OBSAH BALENÍ

NÁZEV DÍLU	MNOŽSTVÍ
Hnací jednotka řetězové pily	1
Pilový řetěz	1
Vodící lišta	1
Kryt řetězu	1
Návod k obsluze	1

CZ

MONTÁŽ

MONTÁŽ/VÝMĚNA LIŠTY A ŘETĚZU

VAROVÁNÍ: Před montáží seřídte brzdovou rukojeť řetězu v brzdové poloze.

1. Položte hnací jednotku řetězové pily na bok tak, aby boční kryt směřoval vzhůru (obr. 2).
2. Sejměte boční kryt otočením upínáku bočního krytu proti směru hodinových ručiček.
3. Položte nový pilový řetěz ve smyčce na rovný povrch a vyrovnejte případné ohyby.
4. Umístěte hnací články řetězu do drážky vodící lišty a vytvořte ze řetězu smyčku v zadní části vodící lišty (obr. 3).

3-1	Hnací články řetězu
3-2	Drážka vodící lišty

- Držte řetěz v dané poloze na vodící liště a nasadte smyčku okolo řetězového kola hnací jednotky (obr. 4).

POZNÁMKA: V pilovém řetězu jsou vyryté malé směrové šipky. Při navijení pilového řetězu na řetězové kolo dbejte, aby směr šipek na pilovém řetězu ODPOVÍDAL směru šipky na tělese nástroje.

- Nasadte boční kryt a úplně utáhněte knoflík pro nastavení napnutí řetězu. Excentrický převod uvnitř bočního krytu je konstruován tak, aby nedošlo k přepnutí řetězu.
- Nastavte rukojeť brzdy řetězu při zpětném rázu do provozní polohy, a poté ručně otáčejte řetězem, abyste zkontrolovali, zda je řetěz správně namontovaný, aniž by se zasekával. Pokud ano, řetěz a lištu opět sestavte.

POZNÁMKA: S vodící lištou je pomocí šroubu spojena seřizovací deska. Pokud je třeba vyměnit vodící lištu, demontujte seřizovací desku z vodící lišty a namontujte ji na novou vodící lištu, jak je znázorněno na obr. 5.

POUŽITÍ

CZ

OBLAST POUŽITÍ

Tento výrobek lze použít k základnímu kácení, odvětvování, prořezávání a řezání řeziva a stromů.

POZNÁMKA: Nářadí se smí používat pouze k vyhrazenému účelu. Jakékoliv jiné použití se považuje za zneužití.

INSTALACE/VYJMUTÍ AKUMULÁTORU

Před prvním použitím akumulátor nabijte.

Použijte pouze následující EGO akumulátory a nabíječky:

AKUMULÁTOR	NABÍJEČKA
BA1120E, BA2240E, BA1400, BA2800, BA3360, BA4200, BA1400T, BA2800T, BA4200T, BA5600T	CH2100E, CH5500E

Instalace

Srovnejte zebrování akumulátoru s instalačními drážkami a zatlačte na akumulátor, dokud neuslyšíte „cvaknutí“ (obr. 6).

Vyjmutí

Stiskněte tlačítko pro uvolnění akumulátoru a vytáhněte jej (obr. 7).

LED SVĚTLOMETY

LED světlo (obr. 1-15) je umístěn v přední části hnací jednotky řetězové pily. Tento světlo poskytuje doplňkové světlo pro zvýšení viditelnosti a lze ho nastavit na 2 úrovně jasů.

Chcete-li světla zapnout, stiskněte jednu tlačítko LED (obr. 1-14). Světlo poskytuje jasné osvětlení před řetězovou pilou. Stiskněte tlačítko LED podruhé a světlo vypne.

Chcete-li světlo vypnout, stiskněte tlačítko LED potřetí.

SPUŠTĚNÍ/VYPNUTÍ ŘETĚZOVÉ PILY

Před spuštěním řetězové pily

POZNÁMKA: Před spuštěním řetězové pily zkontrolujte hladinu oleje, ostrost zubů pily a správně fungující rukojeť brzdy při zpětném rázu. Kromě toho je nezbytný vyvážený postoj a správná vzdálenost od země.

Spuštění

- Zatáhněte rukojeť brzdy řetězu při zpětném rázu směrem k přední rukojeti do pracovní polohy.
- Oběma rukama pevně uchopte přední a zadní rukojeť.
- Nejprve stiskněte pojistku, a pak spínačem spusťte pilu. Rychlost řetězu se bude zvyšovat se zvyšujícím se tlakem na spínač pily.
- Uvolněte blokovací tlačítko a držte stlačený spínač a pokračujte v práci.

Správný úchop rukojetí (obr. 8)

- Pro dosažení maximální pevnosti úchopu a ochrany použijte protiskluzové rukavice.
- Na pevném a rovném povrchu držte pilu pevně oběma rukama.
- Vždy uchopte přední rukojeť levou rukou a zadní rukojeť pravou rukou.
- Prsty musí obepnout rukojeť s palcem sbaleným pod přední rukojetí.

VAROVÁNÍ: Nikdy nepoužívejte levoruký (překřížený) úchop nebo postoj, při kterém tělo nebo paže kříží dráhu řetězu (obr. 9).

Správný postoj při řezání (obr. 10)

- Obě chodidla musí stát na pevné zemi s váhou rovnoměrně rozloženou.
- Levá paže musí být natažená se zafixovaným loktem. Pomáhá to odolávat silám generovaným zpětným rázem.
- Vaše tělo musí být vždy vlevo od dráhy řetězu.

SEKÁNÍ:

Sekání:

- Pro začátečníky doporučujeme provcvičení řezání kulaťiny na koze nebo stojanu.
- Řezání začněte lehkým přitlačením vodící lišty na dřevo. Používejte pouze mírný tlak, nechte pilu pracovat
- Během řezání udržujte stálou rychlost a tlak uvolněte těsně před koncem řezání.

VAROVÁNÍ: Pokud se pilový řetěz při řezání zastaví v důsledku sevření, uvolněte spínač; vyjměte pilový řetěz a vodící lištu ze dřeva, a pak řetězovou pilu restartujte.

VAROVÁNÍ: Netahejte za pilový řetěz rukou, pokud je zablokovaný pilinami.

VAROVÁNÍ: Nikdy řetězovou pilu nespouštějte, pokud je ve styku se dřevem. Než přiložíte řetězovou pilu ke dřevu, nechte ji roztočit na plné otáčky.

KÁČENÍ STROMU

- Pokud rozřezávání a kácení provádí dvě a více osob současně, musí být kácení oddělené od rozřezávání vzdáleností aspoň dvojnásobku výšky káceného stromu. Stromy se nesmí kácet způsobem, který by ohrozil některou z osob, zasáhl síťové vedení nebo způsobil škodu na majetku. Pokud přijde strom do styku se síťovým vedením, je třeba okamžitě informovat provozovatele.
- Obsluha řetězové pily musí stát na vyvýšené straně, jelikož je pravděpodobné, že se strom svalí nebo sesune po skácení směrem ze svahu.
- Před začátkem kácení se musí naplánovat a vyčistit úniková cesta podle potřeby. Úniková cesta musí směřovat vzad a příčně k předpokládané dráze dopadu, jak je znázorněno na obr. 11.

11-1	Směr kácení
------	-------------

- Před začátkem kácení posuďte, kterým směrem strom spadne, a zohledněte přitom přirozený sklon stromu, umístění větších větví a směr větru.
- Ze stromu odstraňte nečistoty, kameny, uvolněnou kůru, hřebíky, sponky a dráty

Spodní zářez

Provedte zářez do 1/3 průměru stromu kolmo ke směru pádu, jak je znázorněno na obr. 12. Nejprve provedte dolní vodorovný zářez. Pomůže vám to zabránit sevření pilového řetězu nebo vodící lišty při druhém zářezu.

Hlavní řez

- Hlavní řez provedte aspoň o 50 mm výše než vodorovný zářez, jak je znázorněno na obr. 12-3.

12-1	Směr pádu	12-3	Hlavní řez
12-2	Zářez	12-4	Závěs

Dbejte, aby byly hlavní řez rovnoběžný s vodorovným zářezem. Hlavní řez vedte tak, aby zůstal dostatek dřeva, které může sloužit jako závěs. Dřevěný závěs zabraňuje stromu, aby se při pádu zkroutil špatným směrem. Neřežte přes závěs.

- Když se hlavní zářez dostane do blízkosti závěsu, měl by strom začít padat. Pokud existuje možnost, že by strom nemusel spadnout v požadovaném směru, nebo by se mohl zakymáčet a zaklínit pilový řetěz, zastavte řezání dřív, než je hlavní řez dokončen a k rozveření řezu a poražení stromu v požadovaném směru použijte dřevěné, plastové nebo hliníkové klíny.
- Jakmile začne strom padat, vyjměte řetězovou pilu z řezu, vypněte motor, položte řetězovou pilu a použijte plánovanou únikovou cestu. Dávejte pozor na padající vrchní větve a sledujte cestu.

Odvětvování stromu

Odvětvování je odstraňování větví z padlého stromu. Při odvětvování ponechte větší spodní větve jako oporu kmene nad zemí. Malé větve odstraňte jedním řezem, jak je znázorněno na obr. 13. Větve pod napětím by se měly řezat zdola nahoru, aby nedošlo k zaklínění řetězové pily.

CZ

Rozřezávání kmene

- Rozřezávání je řezání kmene do délece. Je třeba dbát, aby byl váš postoj pevný a váha rovnoměrně rozložena na obě nohy. Pokud lze, měl by být kmen zdvižený a podepřený s pomocí větví, kmenů nebo špačku. Dodržujte jednoduché pokyny pro snadné řezání.
- Když je strom podepřený po celé své délce, jak je znázorněno na obr. 14, řeže se od vrcholu (řezání shora).
- Pokud je strom podepřený na jednom konci, jak je znázorněno na obr. 15, nařízněte 1/3 průměru zesponu (řezání zdola). Pak proveďte závěrečný řez shora tak, aby se prořal s prvním řezem.
- Pokud je strom podepřený na obou koncích, jak je znázorněno na obr. 16, nařízněte 1/3 průměru shora (řezání shora). Pak proveďte závěrečný řez zdola v dolních 2/3 tak, aby se prořal s prvním řezem.
- Při rozřezávání ve svahu vždy stůjte na vyvýšené straně kmene, jak je znázorněno na obr. 17.
- Abyste při „průřezu“ neztratili kontrolu, uvolněte před koncem řezný tlak, aniž byste uvolnili úchop rukojetí řetězové pily. Dbejte, aby se řetěz nedostal do styku se zemí. Než po dokončení řezu řetězovou pilu přesunete, počkejte, až se pilový řetěz zastaví. Před přesunem od jednoho stromu k druhému vždy vypněte motor.

ÚDRŽBA

DOPLŇOVÁNÍ MAZIVA LIŠTY A ŘETĚZU

POZNÁMKA: Při nákupu v řetězové pile není olej. Před použitím je nezbytné naplnit nádrž olejem. Pila se při práci automaticky maže řetězovým olejem.

1. Položte řetězovou pilu na bok tak, aby uzávěr olejové nádrže směřoval k vám.
2. Vyčistěte uzávěr a také prostor okolo něj a otáčením proti směru hodinových ručiček jej odšroubujte (obr. 18).
3. Opatrně nalijte speciální olej do nádrže až po spodní část hrdla filtru.
4. Setřete přebytečný olej a našroubujte uzávěr.

POZNÁMKA: Ve svislé poloze by měl olej zaplnit průhled. Pokud již v průzoru olej vidět není, okamžitě ukončete práci a olej doplňte.

ČIŠTĚNÍ

- Po každém použití odstraňte nečistoty z řetězu a vodící lišty měkkým kartáčem. Očistěte povrch řetězové pily čistým hadrem navlhčeným ve slabém mýdlovém roztoku.
- Sejměte boční kryt, a pak použijte měkký kartáč k odstranění nečistot z vodící lišty, pilového řetězu, řetězového kola a bočního krytu.
- Při výměně pilového řetězu vždy odstraňte z drážky vodící lišty dřevěné štěpky, piliny a nečistoty.

ÚDRŽBA VODICÍ LIŠTY

Pokud vodící lišta vykazuje známky opotřebení, demontujte ji z hnací jednotky řetězové pily, obraťte ji a namontujte zpět (obr. 19). Takto se opotřebení rozloží na maximální životnost lišty.

Lištu čistěte každý den, kdy se používá, a kontrolujte její opotřebení a poškození. Zkosení nebo otřepy vodících lišt jsou běžným procesem opotřebení lišty. Tyto závady odstraňte pilníkem, jakmile se objeví. Lištu, u které se projeví jedna z následujících poruch, musíte vyměnit.

- Opotřebení uvnitř vodících lišt, které umožňuje řetězu posun do boku.
- Ohnutá lišta.
- Prasklé nebo zlomené lišty.
- Roztažené lišty.

Vodící lišta má dále na hrotu řetězové kole (obr. 20-1). Řetězové kolo se musí jednou týdně mazat mazací stříkačkou, aby se prodloužila životnost vodící lišty (obr. 21). Jednou týdně použijte mazací stříkačku k mazání řetězovým olejem s pomocí mazacího otvoru (obr. -20-2).

Otočte vodící lištu a zkontrolujte, zda jsou mazací otvory a drážka řetězu čisté.

ÚDRŽBA ŘETĚZU

Na této pile použijte pouze řetězy se slabým zpětným rázem. Tato rychlořezná pila zajistí při správné údržbě redukci zpětného rázu.

Správně nabroušený pilový řetěz řeže dřevem bez námahy, a to i s malým tlakem. Nikdy nepoužívejte tupý nebo poškozený pilový řetěz. Tupý řezací zub pilového řetězu vede ke zvýšenému fyzickému namáhání, zvýšenému zatížení vibracemi, neuspokojivým výsledkům řezání a zvýšenému opotřebení.

Pro plynulé a rychlé řezání se musí řetěz řádně udržovat. Řetěz se musí nabrousit, když jsou dřevěné štěpky příliš malé a prachové, když se řetěz musí při řezání dřevem protlačit nebo když řetěz řeže jednou stranou. Při údržbě vašeho řetězu dbejte na následující:

- Nesprávný úhel pilování boční plošky může zvýšit riziko prudkého zpětného rázu.
- Vzdálenost omezovací patky (omezovacího zubu). Příliš nízká zvyšuje riziko zpětného rázu. Pokud není dostatečně nízká, omezuje schopnost řezat.
- Pokud řezací zuby narazily do tvrdého tělesa, jako např. hřebíku, kamene nebo se obrousily o bláto nebo písek na dřevě, nechejte řetěz nabrousit kvalifikovaným servisním technikem.

PŘEPRAVA A SKLADOVÁNÍ

- Řetězovou pilu nepřpravujte ani neskladujte, když je motor v chodu. Před uskladněním nebo přepravou vždy vyjměte akumulátor.
- Před uskladněním nebo přepravou řetězové pily nasadte na vodící lištu a řetěz kryt. Dávejte pozor na ostré zuby řetězu.
- Před uskladněním řetězovou pilu řádně vyčistěte. Řetězovou pilu skladujte v interiéru, na suchém místě, které je zamknuté anebo je mimo dosah dětí.
- Uchovávejte v bezpečné vzdálenosti od korozivních látek, jako jsou chemické látky a rozmrazovací soli.

Ochrana životního prostředí



WEEE (Odpadní elektrická a elektronická zařízení)

Elektrické zařízení, nabíječku a baterie / nabíjecí baterie nevhazujte do domovního odpadu! Předajte tento výrobek autorizované recyklační společnosti ke tříděnému sběru. Elektrické nářadí musí být vráceno do zařízení k ekologické recyklaci.

ODSTRAŇOVÁNÍ ZÁVAD

PROBLÉM	PŘÍČINA	ŘEŠENÍ
Motor neběží.	<ul style="list-style-type: none"> ■ K řetězové pile není připojen akumulátor. ■ Bez elektrického kontaktu mezi pilou a akumulátorem. ■ Akumulátor je vybitý. ■ Akumulátor nebo řetězová pila jsou příliš horké. ■ Je aktivní brzda řetězu. ■ Nečistoty v drážce lišty. ■ Nečistoty v bočním krytu. 	<ul style="list-style-type: none"> ■ Nasadte akumulátor na řetězovou pilu. ■ Vyměňte akumulátor, zkontrolujte póly a znovu jej nainstalujte. ■ Nabijte akumulátor. ■ Nechejte akumulátor nebo řetězovou sekačku zchladnout, dokud teplota neklesne pod 67 °C. ■ Zatáhněte rukojeť brzdy řetězu při zpětném rázu zpět směrem k přední rukojeti do pracovní polohy. ■ Zatlačte pilový řetěz proti dřevu a pohybujte řetězovou pilou tam a zpět, dokud se úlomky neuvolní. ■ Vyměňte akumulátor, sejměte boční kryt a odstraňte nečistoty.
Během práce se řetězová pila zastaví.	<ul style="list-style-type: none"> ■ Řetězová pila je přetížená. ■ Akumulátor nebo řetězová pila jsou příliš horké. ■ Řetězová pila se zablokovala ve dřevě. 	<ul style="list-style-type: none"> ■ Snižte zatížení. ■ Snižte zatížení. Nechejte akumulátor nebo řetězovou sekačku zchladnout, dokud teplota neklesne pod 67 °C. ■ Uvolněte spínač; vyměňte pilový řetěz a vodicí lištu ze dřeva, a pak řetězovou pilu restartujte.
Motor běží, ale řetěz se netočí	<ul style="list-style-type: none"> ■ Řetěz není nasazený na hnacím řetězovém kole. ■ Nečistoty brání úplnému pohybu rukojeti brzdy řetězu při zpětném rázu. ■ Možné poruchy brzdy řetězu 	<ul style="list-style-type: none"> ■ Řetěz znovu nainstalujte a dbejte, aby hnací články řetězu plně dosedly na řetězové kolo. ■ Nečistoty brání úplnému pohybu rukojeti brzdy řetězu při zpětném rázu. ■ Pro pomoc kontaktujte zákaznický servis společnosti EGO.

CZ

PROBLÉM	PŘÍČINA	ŘEŠENÍ
Řetězová pila neřeže správně.	<ul style="list-style-type: none"> ■ Nedostatečně napnutý řetěz. ■ Tupý řetěz. ■ Obráceně instalovaný řetěz. ■ Opotřebený řetěz. ■ Suchý nebo příliš napnutý řetěz. 	<ul style="list-style-type: none"> ■ Povolte knoflík pro nastavení napnutí řetězu nejméně o dvě otáčky proti směru hodinových ručiček a poté jej úplně utáhněte ve směru hodinových ručiček, dokud nebude řetěz správně napnut. ■ Nabruste řezací zuby řetězu podle pokynů v části “JAK NABROUSIT ŘEZACÍ ZUBY”. ■ Znovu nainstalujte pilový řetěz podle části “VÝMĚNA LIŠTY A ŘETĚZU”. ■ Vyměňte pilový řetěz podle části “VÝMĚNA LIŠTY A ŘETĚZU”. ■ Zkontrolujte hladinu oleje. V případě potřeby olejovou nádrž doplňte.
Řetěz spadne z vodící lišty.	<ul style="list-style-type: none"> ■ Nedostatečně napnutý řetěz. ■ Řetěz není nasazený na hnacím řetězovém kole. 	<ul style="list-style-type: none"> ■ Povolte knoflík pro nastavení napnutí řetězu nejméně o dvě otáčky proti směru hodinových ručiček a poté jej úplně utáhněte ve směru hodinových ručiček, dokud nebude řetěz správně napnut. ■ Nainstalujte řetěz zpět podle části “VÝMĚNA LIŠTY A ŘETĚZU”. Ujistěte se, že jsou hnací články řetězu zcela usazeny v řetězovém kole.
Lišta a řetěz se zahřívají a kouří se z nich.	<ul style="list-style-type: none"> ■ Zkontrolujte, zda není prázdná olejová nádrž. ■ Nečistoty v drážce vodící lišty. 	<ul style="list-style-type: none"> ■ Doplnění maziva lišty a řetězu. ■ Odstraňte nečistoty z drážky.

CZ

ZÁRUKA

ZÁRUKA SPOLEČNOSTI EGO

Úplné záruční podmínky společností EGO naleznete na webové stránce egopowerplus.com.

PREČÍTAJTE SI VŠETKY POKYNY!



PREČÍTAJTE SI NÁVOD NA OBSLUHU.

⚠ Zvyškové riziko! Ľudia s elektronickými zariadeniami, napríklad kardiostimulátorom, musia používanie tohto výrobku konzultovať so svojim lekárom. Použitie elektrických zariadení v tesnej blízkosti kardiostimulátora by mohlo spôsobiť rušenie alebo zlyhanie kardiostimulátora.

BEZPEČNOSTNÝ SYMBOL

Účelom bezpečnostných symbolov je upozorniť na možné nebezpečenstvá. Venujte príslušnú pozornosť a pochopte bezpečnostné symboly a ich vysvetlenia. Varovné symboly,

samy o sebe, nedokážu eliminovať nebezpečenstvo. Pokyny a varovania, ktoré obsahujú, nie sú náhradou za vhodné opatrenia na prevenciu úrazov.

⚠ VAROVANIE: Pred použitím tohto nástroja si prečítajte a pochopte všetky bezpečnostné pokyny v tomto návode na obsluhu, vrátane všetkých bezpečnostných výstražných symbolov, ako sú „**NEBEZPEČENSTVO**“, „**VAROVANIE**“ a „**UPOZORNENIE**“. Nedodržanie nižšie uvedených pokynov môže mať za následok úraz elektrickým prúdom, požiar a/alebo vážne zranenie.

VÝZNAM SYMBOLU

Táto strana zobrazuje a popisuje bezpečnostné symboly, ktoré sa objavujú na tomto výrobku. Pred pokusom o zostavenie a prevádzkovanie si prečítajte, pochopte a dodržiavajte všetky pokyny na stroji.

BEZPEČNOSTNÉ SYMBOLY



Bezpečnostné upozornenie



Používajte ochranu zraku.



Používajte ochranu hlavy



Vodiaca lišta



Spättný náraz špičky vodiacej lišty



Nevystavujte dažďu.



Odpadové elektrické výrobky sa nesmú likvidovať spolu s domovým odpadom. Odovzdajte do autorizovaného recyklačného strediska.

V Volt



Jednosmerný prúd



Ak chcete znížiť riziko zranenia, používateľ musí pred použitím tohto výrobku prečítať a pochopiť návod na obsluhu.



Používajte ochranu sluchu.



Používajte ochranné rukavice.



Nepoužívajte reťazovú pílu s jednou rukou



Vždy používajte reťazovú pílu obojručne



Dajte si pozor na spättný ráz reťazovej píly a vyvarujte sa kontaktu s hrotom lišty



Hluk


min⁻¹ Otáčky za minútu



CE

SK

TECHNICKÉ ÚDAJE

Napätie	56 V 	
Odporúčaná prevádzková teplota:	-15°C-40°C	
Odporúčaná skladovacia teplota:	-20°C-70°C	
Optimálna teplota nabíjania	5 °C-40 °C	
Rýchlosť reťaze	20 m/s	
Výška reťaze	9,5 mm	
Meradlo lišty	1,3 mm	
Typ reťaze píly	91PX062X 90PX056X 90PX052X	
Typ vodiacej lišty	180SDEA041 164MLEA041 144MLEA041	
Objem olejovej nádrže reťaze	200 ml	
Hmotnosť (bez akumulátora, krytu reťaze)	4,4kg	
Nameraná hladina akustického výkonu L_{WA}	103,53 dB(A) K=1,17 dB(A)	
Hladina akustického tlaku na uši obsluhy L_{PA}	92,53 dB(A) K=3,0 dB(A)	
Garantovaná hladina akustického výkonu L_{WA} (podľa 2000/14/ES)	105 dB(A)	
Vibrácie a_h	Predná rukoväť	5,158 m/s ² K=1,5 m/s ²
	Zadná rukoväť	5,537 m/s ² K=1,5 m/s ²

SK

- Deklarovaná celková hodnota vibrácií bola meraná v súlade so štandardnou skúšobnou metódou a môže sa použiť na vzájomné porovnanie jednotlivých náradí;
- Uvádzaná celková hodnota vibrácie sa môže použiť aj na predbežný odhad expozície.

POZNÁMKA: Emisia vibrácií pri skutočnom používaní náradia sa môže odlišovať od deklarovanej hodnoty, pri akej sa nástroj používa; Za účelom ochrany obsluhy má používateľ v skutočných podmienkach použitia nosiť rukavice a ochranu sluchu.

POPIS

SPoznajte svoju reťazovú pílu (obr. 1)

1. Otvor na mazanie

2. Vodiaca lišta
3. Reťaz píly
4. Uzáver olejovej nádrže
5. Rukoväť brzdy spätného nárazu reťaze
6. Predná rukoväť
7. Tlačidlo na uvoľnenie batérie
8. Zaisťovacie tlačidlo
9. Páčka nastavenia premenlivej rýchlosti
10. Elektrické spoje
11. Vyhadzovací mechanizmus
12. Okienko na kontrolu oleja
13. Zadná rukoväť
14. LED tlačidlo
15. LED svetlomety
16. Oporné hroty
17. Nastavovacie koliesko pre rýchle napnutie reťaze
18. Bočný kryt
19. Kryt reťaze

OBSAH BALENIA

NÁZOV DIELU	MNOŽSTVO
Napájacia jednotka reťazovej píly	1
Reťaz píly	1
Vodiaca lišta	1
Kryt reťaze	1
Návod na obsluhu	1

MONTÁŽ

MONTÁŽ/VÝMENA LIŠTY A REŤAZE

VAROVANIE: Pred montážou nastavte rukoväť brzdy spätného rázu do brzdiacej polohy.

1. Položte napájaciu jednotku reťazovej píly na bok s bočným krytom smerom nahor (obr. 2).
2. Zložte bočný kryt otočením nastavovacieho kolieska pre rýchle napnutie reťaze proti smeru hodinových ručičiek.
3. Uložte novú reťaz do slučky na rovnú plochu a vyrovnajte prípadné zalomenia.
4. Umiestnite jednotlivé vodiace články reťaze do drážky vodiacej lišty a urobte slučku reťaze na zadnej strane vodiacej lišty (obr. 3).

3-1	Vodiace články reťaze
3-2	Drážka vodiacej lišty

5. Podržte reťaz na vodiacej lište a umiestnite slučku okolo ozubeného kolesa napájacej jednotky (obr. 4).

POZNÁMKA: Na reťazi a napájacej jednotke sú vyryté malé smerové šípky. Pri nahadzovaní reťaze do vodiacej lišty sa uistite, že smer šípok na reťazi zodpovedá smeru šípky na napájacej jednotke.

6. Nasadte bočný kryt a úplne dotiahnite nastavovacie koliesko pre rýchle napnutie reťaze. Excentrické ozubené koleso vo vnútri bočného krytu je navrhnuté tak, aby reťaz nebola nadmerne napnutá
7. Nastavte rukoväť brzdy spätného nárazu do prevádzkovej polohy a potom ručne otáčajte reťazou, aby ste skontrolovali, či je reťaz správne zostavená a nezasekáva sa. V opačnom prípade znova namontujte reťaz a lištu.

POZNÁMKA: Na vodiacu lištu je pomocou nastavovacej skrutky pripevnená nastavovacia doska. Ak je potrebné vodiacu lištu vymeniť, odmontujte nastavovaciu dosku z vodiacej lišty a znova ju namontujte na novú vodiacu lištu, ako je to znázomené na obr. 5.

OBSLUHA

POUŽITIE

Tento výrobok môžete používať na jednoduché stínanie, osekávanie vetiev, prerézavanie a výrub reziva a stromov.

POZNÁMKA: Náradie sa musí používať v súlade s účelom použitia. Každé iné použitie sa považuje za prípad nevhodného použitia.

PRIPOJENIE/ODPOJENIE AKUMULÁTORA

Pred prvým použitím úplne nabite.

Používajte iba EGO akumulátory a nabíjačky uvedené nižšie:

BATÉRIA	NABÍJAČKA
BA1120E, BA2240E, BA1400, BA2800, BA3360, BA4200, BA1400T, BA2800T, BA4200T, BA5600T	CH2100E, CH5500E

Pripojenie

Zarovnajte rebrovanie akumulátora s montážnymi drážkami a zatlačte akumulátor nadol, kým nezačujete „cvaknutie“ (obr. 6).

Odpojenie

Stlačte tlačidlo pre uvoľnenie akumulátora a vytiahnite ho von (obr. 7).

LED SVETLOMETY

LED svetlomet (obr. 1-15) je umiestnený v prednej časti napájacej jednotky reťazovej pily. Táto funkcia poskytuje viac svetla pre lepšiu viditeľnosť a dá sa nastaviť na 2 úrovne jasů.

Svetlá zapnete jedným stlačením LED tlačidla (obr. 1-14). Svetlomety poskytujú jasné osvetlenie pred reťazovou pilou. Stlačte LED tlačidlo druhýkrát a svetlomety sa jasnejšie rozsvietia.

Ak chcete vypnúť svetlomety, stlačte LED tlačidlo tretíkrát.

ZAPNUTIE/ZASTAVENIE REŤAZOVEJ PÍLY

Pred zapnutím reťazovej pily

POZNÁMKA: Pred zapnutím reťazovej pily skontrolujte napnutie reťaze, hladinu oleja, ostrosť zubov pily a fungovanie rukoväte brzdy spätného nárazu reťaze. Okrem toho je nevyhnutné udržiavať pevný postoj a správnu vzdialenosť od zeme.

Zapnutie

1. Potiahnite rukoväť brzdy spätného nárazu reťaze smerom k prednej rukoväti do prevádzkovej polohy.
2. Pevne uchopte predné a zadné rukoväte oboma rukami.
3. Stlačte zaisťovacie tlačidlo, potom zatlačte na páčku nastavenia premenlivej rýchlosti a zapnite pílu. Rýchlosť reťaze sa zvýši so zvýšeným tlakom na páčku nastavenia premenlivej rýchlosti.
4. Uvoľnite zaisťovacie tlačidlo a stále stláčajte páčku nastavenia premenlivej rýchlosti pre pokračovanie v činnosti.

Správne uchopenie rukovätí (obr. 8)

- Noste protišmykové rukavice s cieľom maximalizovať uchopenie a ochranu.
- Držte pílu pevne oboma rukami na pevnom a rovnom povrchu.
- Vždy uchopte prednú rukoväť ľavou rukou a zadnú rukoväť pravou rukou.
- Prsty by mali obopínať rukoväť s palcom pod prednou rukoväťou.

VAROVANIE: Nikdy používajte úchop ľavou rukou (s prekriženými rukami) alebo akýkoľvek postoj, ktorý by posunul vaše telo alebo ruku do dráhy reťaze (obr. 9).

SK

Správny postoj pri pílení (obr. 10)

- Obe chodidlá musia byť na pevnej zemi s rovnomerne rozmiestnenou hmotnosťou.
- Ľavá ruka má byť vystretá a lakeť pevný. Pomáha to odolávať silám vytvoreným spätným nárazom.
- Telo musí byť vždy na ľavej strane dráhy reťaze.

REZANIE

Základné rezanie

- Pre začiatočníkov odporúčame precvičenie rezania guľatiny na koze alebo stojane.
- Rezanie začnite ľahkým pritlačeníem vodiacej lišty na drevo. Používajte iba mierny tlak a nechajte pílu pracovať.
- Po celú dobu rezania udržiajte stálu rýchlosť a prítlak uvoľnite až tesne pred koncom rezu.

VAROVANIE: Keď sa reťazová píla zastaví kvôli zablokovaniu počas pílenia, uvoľnite páčku; vytiahnite reťazovú pílu a vodiacu lištu z dreva, potom reťazovú pílu znovu zapnite.

VAROVANIE: Neťahajte reťazovú pílu rukou, ak je obalená pilinami.

VAROVANIE: Nikdy nezapínajte reťazovú pílu, keď sa dotýka dreva. Reťazová píla musí dosiahnuť plnú rýchlosť pred jej použitím na pílenie dreva.

STÍNANIE STROMU

- Pri vykonávaní činnosti skracovania alebo stínania dvomi osobami naraz sa stínania od skracovania musí vykonávať v minimálnej vzdialenosti dvakrát väčšej než je dĺžka stromu, ktorý mal byť stáť. Stromy nesmú byť odstraňované spôsobom, ktorý ohrozuje osoby, poškodzuje verejné rozvody alebo spôsobuje akúkoľvek škodu na majetku. V prípade, že sa strom dostal do kontaktu s verejnými rozvodmi, treba to ihneď oznámiť rozvodnej spoločnosti.
- Používateľ reťazovej píly má stáť na vrchnej strane terénu, keďže je pravdepodobné, že sa strom po výrube bude guľať alebo šmýkať dolu kopcom.
- Pred začatím výrubov by mala byť naplánovaná a jasne stanovená úniková cesta. Úniková cesta sa má rozširovať dozadu a šikmo k zadnej strane predpokladanej trasy pádu podľa znázornenia na obr. 11.

11-1	Smer výrubu
------	-------------

- Pred začatím výrubu zvážte prirodzený náклон stromu, umiestnenie väčších konárov a smer vetra s cieľom posúdiť, ako strom spadne.

- Zo stromu odstráňte špinu, kamene, uvoľnenú kôru, kĺnce, skoby a drôty.

Predný spodný rez

Urobte zárez do 1/3 priemeru stromu kolmo na smer pádu podľa zobrazenia na obr. 12. Najskôr urobte horizontálny predný spodný rez. Pomáha to predchádzať zovretiu reťaze alebo vodiacej lišty pri robení druhého rezu.

Zadný horný rez

- Urobte zadný horný rez minimálne 50 mm nad horizontálnym predným spodným rezom podľa zobrazenia na obr. 12-3.

12-1	Smer pádu	12-3	Zadný horný rez
12-2	Spodný rez	12-4	Nedorezok

Dbajte na to, aby bol zadný horný rez paralelný s horizontálnym predným spodným rezom. Urobte zadný horný rez tak, aby ste nechali dostatok dreva, ktoré bude fungovať ako nedorezok. Nedorezok zabraňuje tomu, aby sa strom stočil a spadol zlým smerom. Nepíľte nedorezok.

- Keď sa pri výrube dostanete do blízkosti nedorezku, strom by mal začať padať. Ak existuje možnosť, že strom nespadne v požadovanom smere, alebo rozkmitá reťazovú pílu, prestaňte píliť predtým, než dokončíte zadný horný rez a použite kľiny z dreva, plastu alebo hliníka na to, aby ste otvorili výrez a zhodili strom v požadovanom smere pádu.
- Keď strom začne padať, odstráňte reťazovú pílu z výrezu, zastavte motor, dajte reťazovú pílu dolu, potom použite plánovanú ústupovú cestu. Dávajte pozor na padajúce vetvy v úrovni nad hlavou a dbajte na správny postoj.

Odvetvovanie stromu

Odvetvovanie je odstraňovanie vetiev z vyrúbaného stromu. Pri odvetvovaní ponechajte väčšie spodné vetvy, aby držali kmeň nad zemou. Odstráňte malé vetvy jedným rezom, ako je znázornené na obr. 13. Napnuté vetvy píľte zdola nahor, aby sa predišlo zablokovaniu reťazovej píly.

Skracovanie kmeňa

- Skracovanie je rozpílenie kmeňa na určité dĺžky. Je dôležité zabezpečiť pevný postoj a rovnomerné rozloženie váhy na obe nohy. Pokiaľ je to možné, kmeň by mal byť zdvihnutý a podpieraný vetvami, brvnami alebo klátmi. Postupujte podľa jednoduchých pravidiel, ktoré uľahčujú pílenie.
- Ak je kmeň podporený po celej svojej dĺžke, ako je znázornené na obr. 14, reže sa zhora (vrchný rez).
- Ak je kmeň podporený na jednom konci tak, ako je

znázornené na obr. 15, urobte zárez do 1/3 priemeru zo spodnej strany

- (spodný rez). Potom urobte konečný rez zhora na ukončenie prvého rezu.
- Ak je kmeň podporený na oboch koncoch tak, ako je zobrazené na obr. 16, urobte zárez do 1/3 priemeru zhora (vrchný rez). Potom dokončíte prvý rez spodným rezom do 2/3.
- Pri pílení na svahu stojte vždy na strane kmeňa, ktorá je vyššie tak, ako je to zobrazené na obr. 17.
- Pre udržanie úplnej kontroly počas „prerezávania“ uvoľnite tlak pílenia na konci rezu bez toho, aby ste uvoľnili uchopenie rukoväti reťazovej pily. Nenechajte reťaz dotknúť sa zeme. Po ukončení rezu počkajte, kým sa reťaz pily zastaví. Až potom môžete reťazovou pilou pohnúť. Pred prechodom k ďalšiemu stromu vždy vypnite motor.

ÚDRŽBA

PLNENIE MAZIVA LIŠTY A REŤAZE

POZNÁMKA: Pri kúpe nie je v reťazovej pile olej. Je nevyhnutné, aby ste pred použitím naplnili nádrž olejom. Reťaz je počas používania automaticky mazaná olejom.

1. Umiestnite reťazovú pilu na bok s uzáverom olejovej nádrže smerom dopredu.
2. Vyčistite uzáver a oblasť okolo neho a potom ho otvorte otočením proti smeru hodinových ručičiek (obr. 18).
3. Opatrne nalejte olej na to určený do nádrže až po spodok plniaceho hrdla.
4. Utrite prebytočný olej a znovu nasadte uzáver.

POZNÁMKA: Vo zvislej polohe by mal olej vyplňať kontrolné okienko. Ak už v kontrolnom okienku nie je olej vidno, okamžite prestaňte náradie používať a doplňte olej.

ČISTENIE

- Po každom použití odstráňte nečistoty z reťaze a vodiacej lišty použitím mäkkej kefy. Utrite povrch reťazovej pily čistou handričkou navlhčenou v slabom mydlovom roztoku.
- Zložte bočný kryt a potom použite mäkkú kefu na odstránenie nečistôt z vodiacej lišty, reťaze pily, ozubeného kolesa a bočného krytu.
- Pri výmene reťaze vždy odstráňte drevnú štiepku, piliny a nečistoty z drážky vodiacej lišty.

ÚDRŽBA VODIACEJ LIŠTY

Keď vodiaca lišta vykazuje známky opotrebenia,

demontujte ju z pohonnej jednotky hlavy reťazovej pily a pretočte ju na opätovnú montáž (obr. 19). V takom prípade sa opotrebenie rozdelí rovnomerne pre maximálnu životnosť lišty.

Lišta sa má čistiť po každom použití a treba ju kontrolovať na známky opotrebenia a poškodenia. Rozstrapkanie alebo tvorenie drsných okrajov na kofajniciach lišty je bežný postup pri opotrebení lišty. Tieto nedokonalosti treba vyhladiť pomocou pilníka hneď, ako sa objavia. Lišta, ktorá vykazuje nasledujúce nedostatky, je potrebné vymeniť.

- Opotrebenie vo vnútri kofajnic lišty, ktoré umožňuje, aby sa reťaz dostala cez bočné strany.
- Zohnutá vodiaca lišta
- Prasknuté alebo zlomené kofajnice.
- Rozšírené kofajnice.

Navyše má vodiaca lišta na svojom hrote ozubené koleso (obr. 20-1). Ozubené koleso treba mazať raz za týždeň mazacou striekačkou, aby sa predĺžila životnosť vodiacej lišty (obr. 21). Používajte mazáciu striekačkou raz do týždňa na mazanie reťazovým olejom cez mazací otvor (obr. 20-2). Otočte vodiacu lištu a skontrolujte, či sú mazacie otvory a drážka reťaze čisté.

ÚDRŽBA REŤAZE

Na túto pilu používajte iba reťaze s nízkym spätným nárazom. Táto rýchlo rezacia reťaz zaisťuje zníženie spätného nárazu, ak je udržiavaná v dobrom stave.

Dobre naostréná reťaz pily prereže drevo bez námahy, a to aj pri veľmi malom prítlaku. Nikdy nepoužívajte tupé alebo poškodené reťaze. Tupé nože reťazovej pily vedú k zvýšenej fyzickej námahe, zvýšenému zaťažaniu vibráciami, neuspokojivým výsledkom pílenia a zvýšenému opotrebeniu.

Pre dosiahnutie plynulého a rýchleho pílenia sa treba o reťaz dobre starať. Reťaz treba naostriť, ak sú časti drevnej štiepky malé a prachové, reťaz treba pri pílení dreva tlačiť, inak píli iba do jednej strany. Pri údržbe reťaze zvažte nasledujúce skutočnosti:

- Nesprávny vstupný uhol bočnice môže zvýšiť riziko vážneho spätného nárazu.
- Výška podpery (hlbkomer). Ak je príliš nízka, vzniká nebezpečenstvo vzniku spätného nárazu. Nedostatočne nízka zase znižuje rezné schopnosti.
- Nechajte reťaz nabrúsiť kvalifikovaným servisným technikom, ak rezacie zuby narazia na tvrdé predmety, napríklad klince a kamene, alebo erodovali kvôli blatu alebo piesku na dreve.

SK

PREPRAVA A SKLADOVANIE

- Reťazovú pilu neskladujte ani neprepravujte, ak je zapnutý motor. Pred skladovaním alebo prepravou vždy vyberte akumulátor.
- Pred skladovaním alebo prepravou reťazovej pily umiestnite na vodiacu lištu kryt. Nedotýkajte sa ostrých zubov reťaze.
- Pred skladovaním reťazovú pilu dôkladne vyčistite. Skladujte reťazovú pilu v interiéri, na suchom mieste, ktoré je uzamknuté a/alebo mimo dosahu detí.

- Chráňte pred agresívnymi látkami, ako sú záhradné chemikálie a rozmrazovacie soli.

Ochrana životného prostredia



WEEE (Odpad z elektrických a elektronických zariadení)

Nevyhadzujte elektrické zariadenia, nabíjačku batérií a použité batérie/akumulátory do domového odpadu!

Tento výrobok odnesť na autorizované recyklačné miesto a dať ho k dispozícii na separovaný zber. Elektrické náradie sa musí vrátiť do recyklačného zariadenia, ktoré je zlučiteľné so životným prostredím.

ODSTRAŇOVANIE PORÚCH

PROBLÉM	PRÍČINA	RIEŠENIE
Motor neštartuje.	<ul style="list-style-type: none"> ■ Akumulátor nie je pripojený k reťazovej pile. ■ Medzi pilou a akumulátorom nie je elektrický kontakt. ■ Akumulátor je vybitý. ■ Akumulátor alebo reťazová píla sú príliš horúce. ■ Brzda reťaze je aktívna. ■ Špina v drážke lišty. ■ Špina v bočnom kryte. 	<ul style="list-style-type: none"> ■ Pripojte akumulátor k reťazovej pile. ■ Vyberte akumulátor, skontrolujte kontakty a akumulátor nainštalujte naspäť. ■ Nabite akumulátor. ■ Nechajte akumulátor alebo reťazovú pílu vychladnúť, až kým teplota neklesne pod 67 ° C. ■ Potiahnite rukoväť brzdy spätného nárazu reťaze dozadu smerom k prednej rukoväti a dorazte do prevádzkovej polohy. ■ Zatláčajte reťazovú pílu proti drevu. Zatraste pilou hore dolu, aby ste sa zbavili úlomkov. ■ Vyberte akumulátor, potom odstráňte bočný kryt a vyčistíte špinu.
Reťazová píla sa zastaví počas práce.	<ul style="list-style-type: none"> ■ Reťazová píla je preťažená. ■ Akumulátor alebo reťazová píla sú príliš horúce. ■ Reťaz píly je zaseknutá v dreve. 	<ul style="list-style-type: none"> ■ Znížte zaťaženie. ■ Znížte zaťaženie. Nechajte akumulátor alebo reťazovú pílu vychladnúť, až kým teplota neklesne pod 67 ° C. ■ Uvoľnite spúšťač; vyťahnite reťaz píly a vodiacu lištu z dreva, potom reťazovú pílu znovu zapnite.
Motor beží, ale reťaz sa neotáča.	<ul style="list-style-type: none"> ■ Reťaz nezapadá do ozubeného kolesa. ■ Nečistoty bránia úplnému pohybu rukoväti brzdy spätného nárazu reťaze. ■ Možná chyba brzdy reťaze. 	<ul style="list-style-type: none"> ■ Znovu nainštalujte reťaz a uistite sa, že vodiace články na reťazi zapadajú do ozubeného kolesa. ■ Nečistoty bránia úplnému pohybu rukoväti brzdy spätného nárazu reťaze. ■ Pre opravy kontaktujte zákaznický servis EGO.

SK

PROBLÉM	PRÍČINA	RIEŠENIE
Reťazová píla pili nedostatočne.	<ul style="list-style-type: none"> ■ Nedostatočné napnutie reťaze. ■ Tupá reťaz. ■ Reťaz je nainštalovaná naopak. ■ Opatrebovaná reťaz. ■ Suchá alebo príliš napnutá reťaz. 	<ul style="list-style-type: none"> ■ Najprv uvoľnite nastavovacie koliesko pre rýchle napnutie reťaze aspoň dvakrát proti smeru hodinových ručičiek a potom ho úplne dotiahnite v smere hodinových ručičiek, až kým nebude reťaz správne napnutá. ■ Naostrite nože reťaze podľa časti „AKO NABRÚSIŤ NOŽE“. ■ Znovu nainštalujte reťaz podľa časti „MONTÁŽ/VÝMENA LIŠTY A REŤAZE“. ■ Znovu nainštalujte reťaz podľa časti „MONTÁŽ/VÝMENA LIŠTY A REŤAZE“. ■ Skontrolujte hladinu oleja v olejovej nádrži. V prípade potreby doplňte olejovú nádrž.
Reťaz padá z vodiacej lišty.	<ul style="list-style-type: none"> ■ Nedostatočné napnutie reťaze. ■ Reťaz nezapadá do ozubeného kolesa. 	<ul style="list-style-type: none"> ■ Najprv uvoľnite nastavovacie koliesko pre rýchle napnutie reťaze aspoň dvakrát proti smeru hodinových ručičiek a potom ho úplne dotiahnite v smere hodinových ručičiek, až kým nebude reťaz správne napnutá. ■ Znovu nainštalujte reťaz podľa časti „MONTÁŽ/VÝMENA LIŠTY A REŤAZE“ a uistite sa, že vodiace články na reťazi úplne zapadajú do ozubeného kolesa.
Lišta a reťaz sú horúce a dymia.	<ul style="list-style-type: none"> ■ Olejová nádrž reťaze je prázdna. ■ Špina v drážke vodiacej lišty. 	<ul style="list-style-type: none"> ■ Doplňte mazivo lišty a reťaze. ■ Vyčistite špinu z drážky.

SK

ZÁRUKA

ZÁRUKNÁ POLITIKA EGO

Navštívte webové stránky egopowerplus.com pre úplné podmienky záručnej politiky spoločnosti EGO.

OLVASSA EL AZ ÖSSZES UTASÍTÁST!



OLVASSA EL A HASZNÁLATI ÚTMUTATÓT

⚠ Fennmaradó kockázat! Az elektronikus készülékekkel, például pacemakerrel élő emberek a termék használata előtt kérjék ki az orvos véleményét. Az elektromos felszerelésnek a pacemakerhez közel való működtetése interferenciát vagy meghibásodást okozhat a pacemakerben.

BIZTONSÁGI SZIMBÓLUM

A biztonsági szimbólumok célja, hogy felhívják a figyelmet az esetleges veszélyekre. Nagyon figyeljen a biztonsági szimbólumokra és magyarázatokra, ill. ezek megértésére.

BIZTONSÁGI SZIMBÓLUMOK



Biztonsági figyelmeztetés



Viseljen szemvédőt



Viseljen fejdédőt



Láncvezető



Láncvezető hegy, visszarúgás



Ne tegye ki esőnek.



Az elhasznált elektromos termékek nem helyezhetők a háztartási hulladék közé. Vigye hivatalos újrahasznosító telephelyre.

V volt



Egyenáram



A sérülések kockázatának csökkentése érdekében a használónak a termék használata előtt el kell olvasnia és meg kell értenie a használati útmutatót.



Viseljen fülvédőt



Viseljen védőkesztyűt



Ne használja a láncfűrészét fél kézzel.



A láncfűrész mindig két kézzel használja.



Ügyeljen arra, hogy a láncfűrész visszarúghat, és kerülje a vezetőlap végével való érintkezést.



Zaj


min⁻¹ Fordulat percnként



CE

HU

JELLEMZŐK

Feszültség	56 V 	
Javasolt működési hőmérséklet:	-15°C-40°C	
Javasolt tárolási hőmérséklet:	-20°C-70°C	
Optimális töltési hőmérséklet	5 °C-40 °C	
Láncsebesség	20 m/s	
Lánc fogosztása	9,5 mm	
Lánc idom	1,3 mm	
Fűrészlánc típusa	91PX062X 90PX056X 90PX052X	
Láncvezető típusa	180SDEA041 164MLEA041 144MLEA041	
Lánc olajtartály kapacitása	200 ml	
Súly (akkumulátoregység, lánc tok nélkül)	4,4kg	
Mért hangteljesítményszint L_{WA}	103,53 dB(A) K=1,17 dB(A)	
Hangnyomásszint a kezelő fülénél L_{PA}	92,53 dB(A) K=3,0 dB(A)	
Garantált hangteljesítményszint L_{WA} (a 2000/14/EK szerint)	105 dB(A)	
Vibráció a_h	Elülső fogantyú	5,158 m/s ² K=1,5 m/s ²
	Hátsó fogantyú	5,537 m/s ² K=1,5 m/s ²

- A névleges rezgési összérték mérése standard bevizsgálási módszerrel történt, és használatával a szerszámok egymással összehasonlíthatók.
- A névleges rezgési érték a kockázat előzetes felméréséhez is felhasználható.

MEGJEGYZÉS: A rezgés kibocsátás az elektromos szerszám aktuális használata közben eltérhet attól a névleges értéktől, amellyel a szerszámot használják: a kezelő védelme érdekében a használatnak kesztyűt és hallásvédőt kell használnia működtetés közben.

LEÍRÁS

ISMERJE MEG A LÁNCFÜRÉSzt (1. ábra)

1. Olajozó nyílás
2. Láncvezető

3. Fűrészlánc
4. Olajtartály sapka
5. Lánc visszarúgás elleni fékfogantyú
6. Elülső fogantyú
7. Akkumulátor kioldógomb
8. Kikapcsoló gomb
9. Állítható sebességszabályozó kapcsoló
10. Elektromos érintkezők
11. Kioldó mechanizmus
12. Olaj ellenőrző ablak
13. Hátsó fogantyú
14. LED gomb
15. LED fejlámpa
16. Vágótűskék
17. Gyors láncfeszesség beállító gomb
18. Oldalsó burkolat
19. Lánc tok

CSOMAGOLÁSI LISTA

ALKATRÉSZ NEVE	MENNYISÉG
Láncfűrész fej	1
Fűrészlánc	1
Láncvezető	1
Lánc tok	1
Használati útmutató	1

ÖSSZESZERELÉS

LÁNCVEZETŐ ÉS LÁNC ÖSSZESZERELÉSE/CSERÉJE

▲ FIGYELMEZTETES: A visszarúgás elleni láncfék karját állítsa fékező pozícióba az összeszerelés előtt.

1. Helyezze a láncfűrész fejet oldalra, az oldalsó burkolat felfelé nézzen (2. ábra).
2. Vegye le az oldalsó burkolatot, ehhez fordítsa el a gyors láncfeszesség beállító gombot az óramutató járásával ellenkező irányba.
3. Helyezze a fűrészláncot hurok alakban sima felületre, és egyenesítse ki az esetleges megtöréseket.
4. Helyezze a láncajtó szemekeket a láncvezetőre, és maradjon egy hurok a láncvezető hátulján (3. ábra).

3-1	Láncajtó szemek
3-2	Láncvezető horony

5. Tartsa pozícióban a láncot a láncvezetőn, és helyezze a hurkot a meghajtófej láncvezetőjére (4. ábra).

MEGJEGYZÉS: Kis irányjelző nyilak vannak a láncfűrészre és a meghajtófejre gravírozva. Amikor a fűrészláncot a láncvezetőre helyezi, ellenőrizze, hogy a láncfűrész nyilainak iránya megfelelően a meghajtófejen lévő nyilak irányával.

6. Cserélje ki az oldalsó burkolatot, és teljesen húzza meg a gyors láncfeszesség beállító gombot. Az oldalsó burkolaton belül lévő excentrikus szerelvényt úgy tervezték, hogy a lánc ne lehessen túlfeszített.
7. Állítsa a lánc visszarúgás elleni fékfogantyúját működési helyzetbe, majd kézzel forgassa el a láncot, hogy ellenőrizze, hogy a lánc megfelelően van-e felszerelve kötés nélkül. Egyébként szerelje vissza a láncot és a láncvezetőt.

MEGJEGYZÉS: Van egy olyan beállítólemez, amely csavarral van csatlakoztatva a láncvezetőhöz. Ha a láncvezetőt ki kell cserélni, akkor szerelje le a beállítólemezt a láncvezetőről, és szerelje fel az új láncvezetőre az 5. ábrán látható módon.

MŰKÖDTETÉS

ALKALMAZÁS

A terméket használhatja alapvető döntéshez, ágazáshoz, metszéshez és fa és rönkfa vágáshoz.

MEGJEGYZÉS: A szerszámot csak az előírt célokra használja. Bármilyen más használat helytelen használatnak minősül.

AZ AKKUMULÁTOREGYSÉG BERAKÁSA/KIVÉTELE

Az első használat előtt teljesen töltsse fel.

Csak a lent felsorolt EGO akkumulátoregységeket és töltőket használja:

AKKUMULÁTOR	TÖLTŐ
BA1120E, BA2240E, BA1400, BA2800, BA3360, BA4200, BA1400T, BA2800T, BA4200T, BA5600T	CH2100E, CH5500E

Csatlakoztatás

Illessze az akkumulátor bordáit a szerelőnyílásokba, és nyomja le az akkumulátoregységet, amíg kattantást nem hall (6. ábra).

Leválasztás

Oldja ki az akkumulátor kioldógombot, és húzza ki az akkumulátoregységet (7. ábra).

LED FEJLÁMPA

A LED fejlámpa (1-15. ábra) a láncfűrész fej elején van elhelyezve. Ez a funkció extra fényt biztosít a jobb láthatóság érdekében, és 2 fényerő szintre állítható be.

A lámpák bekapcsolásához nyomja meg egyszer a LED gombot (1-14. ábra). A fejlámpa erős megvilágítást biztosít a láncfűrész előtt. Nyomja meg másodszor is a LED gombot, és a fejlámpa még erősebben világít.

A fejlámpák kikapcsolásához harmadszor is nyomja meg a LED gombot.

A LÁNCFŰRÉSZ INDÍTÁSA/LEÁLLÍTÁSA

A láncfűrész elindítása előtt

MEGJEGYZÉS: A láncfűrész elindítása előtt ellenőrizze a gyors láncfeszesség beállítását és az olajsintet, a vágófogak élességét, és a visszarúgás elleni fékfogantyú működését. Ezenfelül vegyen fel kiegyensúlyozott testhelyzetet és kellő távolságot a talajhoz.

Indítás

1. Húzza a visszarúgás elleni fékfogantyút az első fogantyú felé, hogy működési helyzetben legyen.
2. Két kézzel erősen fogja meg az elülső és hátsó fogantyút.
3. Nyomja be, és tartsa nyomva a kikapcsoló gombot, majd nyomja be az állítható sebességszabályozó kapcsolót a láncfűrész indításához. A láncsebesség növekszik, ha a sebességszabályozó triggert erősebben nyomja.
4. Oldja ki a kikapcsoló gombot, és nyomja tovább az állítható sebességszabályozó kapcsolót a folyamatos működéshez.

A fogantyúk helyes megfogása (8. ábra)

- Viseljen csúszásgátló kesztyűt a legjobb fogás és védelem érdekében.
- A láncfűrész legyen szilárd, sima felületen, és erősen fogja meg a láncfűrész két kézzel.
- Az elülső fogantyút mindig a bal kezével és a hátsó fogantyút a jobb kezével fogja meg.
- Az ujjai fogják körbe a fogantyút, a hüvelykujja az első fogantyú alatt legyen.

⚠ FIGYELMEZTETES: Soha ne használjon balkezes fogást (fordított fogás), és ne vegyen fel olyan testhelyzetet, amelyben láncfűrész a teste vagy a karja vonalában van (9. ábra).

Helyes testhelyzet vágáshoz (10. ábra)

- Mindkét lába legyen szilárd talajon, és a testsúly egyenletesen legyen a kettő között elosztva.

- A bal karja legyen egyenes, a könyöke kinyújtva. Ez segít ellenállni a visszarúgás által generált erőknél.
- A teste mindig legyen a láncfűrész vonalának bal oldalán.

VÁGÁS

Alap vágás

- Ha még nem használt láncfűrész, kérjük, gyakorolja a fadarabok fűrészelését fűrészbakon vagy támasztóbakon.
- A vágást kezdje úgy, hogy a láncvezetőt kissé a fához nyomja. Csak kis nyomást fejtson ki, hagyja, hogy a fűrész dolgozzon.
- A vágás alatt tartson állandó sebességet, csak a vágás vége előtt engedje ki a nyomást.

▲ FIGYELMEZTETES: Amikor a láncfűrész vágás közben becsipődés miatt leáll, akkor engedje el a triggeret; vegye le a láncfűrész és a láncvezetőt a fáról, majd indítsa újra a láncfűrész.

▲ FIGYELMEZTETES: Ne húzza a fűrészláncot kézzel, ha beakad a fűrészpor miatt.

▲ FIGYELMEZTETES: Soha ne indítsa el a láncfűrész, amikor a fához ér. A láncfűrész mindig érje el a teljes sebességet, mielőtt a láncfűrész a fához érinti.

FADÖNTÉS

- Ha az aprítási és döntési műveleteket két vagy annál több személy végzi egyidejűleg, a döntési műveletet legalább a döntendő fa magasságának kétszeres távolságában kell az aprítási művelettel elkülöníteni. Nem szabad olyan módon dönteni a fát, amely bármely személyt veszélyeztethet, közművezetékkel találhat el, vagy vagyoni kárt okozhat. Ha a fa elektromos vezetékkel érintkezik, akkor a vállalatot azonnal értesíteni kell.
- A láncfűrész kezelőjének a terület hegymenetű részén kell maradnia, mert a döntés után a fa valószínűleg legurul vagy lecsúszik.
- A vágások megkezdése előtt tervezze meg, és szükség esetén tisztítsa meg a menekülési útvonalát. A menekülési útvonalat a várható fadőléstől hátrafelé és arra átlósan kell megtervezni a 11. ábrán látható módon.

11-1	Döntési irány
------	---------------

- A döntés megkezdése előtt vegye figyelembe a fa természetes dőlésirányát, a nagyobb ágak helyét és a szélirányt a fa dőlésének felmérésekor.
- Távolítsa el a szennyeződést, laza kérget, szegeket, kapcsokat és huzalokat a fáról.

Bevágás

Készítsen a fa átmérőjének 1/3-áig bevágást a dőlésirányra merőlegesen a 12. ábrán látható módon. Először az alsó vízszintes bevágást készítse el. Ezzel segít megakadályozni a fűrészlánc vagy a láncvezető beszorulását a második bevágás készítésekor.

Hátradöntési vágás

- Készítsen hátradöntési vágást a vízszintes bevágásnál legalább 50 mm-rel magasabban a 12-3 ábrán látható módon.

12-1	Esés iránya	12-3	Hátradöntési vágás
12-2	Bevágás	12-4	Sarkpont

Tartsa a hátradöntési vágást a vízszintes bevágással párhuzamosan. Úgy készítse el a hátradöntési vágást, hogy elegendő fa maradjon, amely csuklóként tud működni. A csukló fa megakadályozza, hogy a fa rossz irányba tekeredjen, vagy dőljön. Ne vágja át a csuklót.

- A döntés közeledtével a csuklóhoz a fa dőlni kezd. Amennyiben bármilyen esélye van annak, hogy a fa nem a kívánt irányba fog dőlni, vagy visszapattanhat, és beakaszthatja a fűrészláncot, állítsa le a vágást a visszadőlés befejeződése előtt, és fa, műanyag vagy alumínium ékkel nyissa meg a vágást, és engedje a fát a kívánt dőlési vonalba dőlni.
- Amikor a fa elkezd dőlni, vegye ki a láncfűrész a vágásból, állítsa le a motort, tegye le a láncfűrész, majd használja a megtervezett menekülési útvonalat. Álljon készen arra, hogy a feje feletti ágak leesnek, és ügyeljen a stabil álló helyzetre.

Gallyazás

Az ágazás során a ledől fáról kell eltávolítani az ágakat. Ágazáskor hagyja meg a nagyobb alsó ágakat, hogy azok eltartsák a fát a talajtól. Egy vágással távolítsa el a kisebb ágakat a 13. ábrán látható módon. A megfeszült ágakat lentől felfelé kell vágni, hogy elkerülje a láncfűrész beszorulását.

Fatörzsek aprítása

- Az aprítás során kisebb darabokra kell vágni a rönköt. Fontos a stabil álló helyzetről gondoskodni, és ügyeljen arra, hogy a testsúly egyenletesen legyen megosztva a lábain. Amikor lehetséges, a rönköt ágak, rönkök vagy ékek használatával kell megemelni, és alátámasztani. Kövesse az egyszerű utasításokat a könnyű vágás érdekében.
- Amikor a rönk a teljes hosszán alá van támasztva a 14. ábrán látható módon, felülről vágjon (felső vágás).

- Amikor a rönk az egyik végénél alá van támasztva a 15. ábrán látható módon, alulról vágja át az átmérőt 1/3-ig
- (alsó vágás). Ezután alulról fejezze be a felső vágást, amíg az első vágással nem találkozik.
- Amikor a rönk mindkét végénél alá van támasztva a 16. ábrán látható módon, felülről vágja át az átmérőt 1/3-ig (felső vágás). Ezután alulról fejezze be a vágást 2/3-ig, amíg az első vágással nem találkozik.
- Amikor lejtőn darabol, mindig a rönktől felfelé álljon a 17. ábrán látható módon.
- „Átvágáskor”, a teljes irányítás fenntartása érdekében csökkentse a vágási nyomást a vágás vége felé, közben nem lazítva meg a láncfűrész fogantyúján a fogást. Ne engedje, hogy a lánc a talajjal érintkezzen. A vágás befejezése után várjon, amíg a fűrészlánc leáll, mielőtt elmozdítaná a láncfűrész. Mindig állítsa le a motort, amikor fától fáig halad.

KARBANTARTÁS

LÁNCVEZETŐ ÉS LÁNC KENŐANYAG

MEGJEGYZÉS: A láncfűrész a vásárláskor nincs feltöltve olajjal. Használat előtt fel kell tölteni a tartályt olajjal. A lánc működés közben automatikusan bekenésre kerül a láncolajjal.

1. Helyezze a láncfűrészét az oldalára, az olajtartály sapka felfelé nézzen.
2. Tisztítsa meg a sapkát és a körülötte lévő területet, majd a levételhez fordítsa el az óramutató járásával ellenkező irányba (18. ábra).
3. Óvatosan töltsen erre készült olajat a tartályba, amíg az el nem éri a szűrő alját.
4. A felesleges olajat törölje le, és helyezze vissza a sapkát.

MEGJEGYZÉS: Függetlenül a helyzetben az olajnak el kell takarnia az ellenőrző ablakot. Ha az olaj már nem látható az ellenőrző ablakban, akkor azonnal hagyja abba a használatot, és töltsen fel olajjal.

TISZTÍTÁS

- Minden használat után tisztítsa meg a szennyeződést a láncról és a láncvezetőről egy puha kefével. Törölje le a láncfűrész felületét egy tiszta, kímélő szappanos oldattal megnedvesített ruhával.
- Vegye le az oldalsó burkolatot, majd egy puha kefével távolítsa el a szennyeződéseket a láncvezetőről, fűrészláncról és oldalsó burkolatról.
- Mindig tisztítsa le a faforgácsokat, fűrészport és szennyeződést a láncvezető burkolatról, amikor kicseréli a fűrészláncot.

A LÁNCVEZETŐ KARBANTARTÁSA

Ha a láncvezető kopás jeleit mutatja, akkor szerelje le a láncfűrész fejről, és a visszaszereléshez fordítsa meg (19. ábra); ebben az esetben a láncvezető kopása megoszlik a maximális élettartam érdekében.

A láncvezetőt minden nap meg kell tisztítani, és ellenőrizni kell sérülések és kopás szempontjából. A láncvezető hornyok élezése és csiszolása normál folyamat a láncvezető kopása esetén. Az ilyen hibákat akkor kell lecsiszolni egy reszelővel, amikor jelentkeznek. A láncvezetőt a következő hibák esetén ki kell cserélni.

- Kopás a láncvezető hornyokban, amely lehetővé teszi, hogy a lánc oldalsó helyzetben legyen.
- Elgömbült láncvezető.
- Megrepedt vagy törött hornyok.
- Megnövelt hornyok.

A láncvezető végén lánckerék van (20-1. ábra). A lánckereket hetente be kell kenni zsírozó fecskendővel a láncvezető élettartamának meghosszabbítása érdekében (21. ábra). Használjon zsírozó fecskendőt, amikor hetente bekeni láncolajjal az olajozó nyílás segítségével (20-2. ábra). Fordítsa át a láncvezetőt, és ellenőrizze, hogy az olajozó nyílások és a láncvezető szennyezettek-e.

A LÁNC KARBANTARTÁSA

Csak alacsony visszarúgású fűrészláncot használjon ehhez a láncfűrészhez. A gyors vágólánc csökkenti a visszarúgást, ha megfelelően van karbantartva.

A megfelelően éles fűrészlánc könnyedén átvágja a fát kis nyomással is. Soha ne használjon tompa vagy sérült fűrészláncot. A tompa fűrészlánc nagyobb fizikai terhelést jelent, megnöveli a vibrációs terhelést, a vágás eredménye nem kielégítő, és erősebb a kopás.

A könnyű és gyors vágáshoz a láncot megfelelően kell karbantartani. A láncot meg kell élezni, ha a faforgácsok kicsik és porszerűek, a láncot át kell erőltetni a fán vágás közben, vagy a lánc az egyik oldalon jobban vág. A lánc karbantartása alatt vegye figyelembe a következőket:

- Az oldalapok nem megfelelő dőlési szöge megnöveli a visszarúgás esélyét.
- Mélységkorlátozó mozgáster. A túl alacsony megnöveli a visszarúgás esélyét. A nem elég alacsony csökkenti a vágásképeséget.
- Ha a fogak kemény tárgyakba ütköznek, például kapcsokba vagy kövekbe, vagy a fán lévő iszap vagy homok kidörzsölte, akkor a láncot szakképzett szerviztechnikusnak kell megéleznie.

SZÁLLÍTÁS ÉS TÁROLÁS

- Működés közben ne szállítsa a láncfűrész.
Tárolás vagy szállítás előtt mindig vegye ki az akkumulátoregységet.
- Mindig helyezze a láncvezető tokot a láncvezetőre, mielőtt elteszi vagy szállítja a láncfűrész. Legyen elővigyázatos, ne érjen a lánc éles fogaihoz.
- Tárolás előtt alaposan tisztítsa meg a láncfűrész. A láncfűrész beltéren, olyan száraz helyen tárolja, amely le van zárva, és/vagy amelyhez gyermekek nem tudnak hozzáférni.
- Tartsa távol maró hatású szerektől, például kerti vegyszerektől, és jégmentesítő sótól.

Környezetvédelem



WEEE (az elektromos és elektronikus berendezések hulladékairól szóló irányelv)

Ne dobja az elektromos felszerelést, az elhasznált akkumulátort és a töltőt a háztartási hulladékok közé! Vigye hivatalos újrahasznosító telephelyre, és tegye hozzáférhetővé a szelektív gyűjtéshez. Az elektromos szerszámokat környezetbarát újrahasznosító üzembe kell vinni.

HIBAELHÁRÍTÁS

PROBLÉMA	OK	MEGOLDÁS
A motor nem indul el.	<ul style="list-style-type: none"> ■ Az akkumulátoregység nincs csatlakoztatva a láncfűrészhez. ■ Nincs elektromos kapcsolat a láncfűrész és az akkumulátor között. ■ Az akkumulátoregység lemerült. ■ Az akkumulátoregység vagy láncfűrész túl forró. ■ A láncfék nem illeszkedik. ■ Szennyeződés van a láncvezetőn. ■ Szennyeződés van az oldalsó burkolaton. 	<ul style="list-style-type: none"> ■ Csatlakoztassa az akkumulátoregységet a láncfűrészhez. ■ Vegye ki az akkumulátoregységet, ellenőrizze a csatlakozásokat, és helyezze vissza az akkumulátoregységet. ■ Töltse fel az akkumulátoregységet. ■ Hagyja kihűlni az akkumulátoregységet vagy a láncfűrész 67 °C alatti hőmérsékletre. ■ Húzza hátrafelé a visszarúgás elleni fékfogantyút az első fogantyú felé, hogy működési helyzetbe kerüljön. ■ Nyomja rá a láncfűrész a fára, mozgassa a láncfűrész előre és hátra, hogy megszabadítsa a szennyeződéstől. ■ Vegye ki az akkumulátoregységet, majd vegye le az oldalsó burkolatot, és tisztítsa meg a szennyeződéstől.
A láncfűrész munka közben leáll.	<ul style="list-style-type: none"> ■ A láncfűrész túlterhelt. ■ Az akkumulátoregység vagy láncfűrész túl forró. ■ A fűrészlánc beakadt a fába. 	<ul style="list-style-type: none"> ■ Csökkentse a terhelést. ■ Csökkentse a terhelést. Hagyja kihűlni az akkumulátoregységet vagy a láncfűrész 67 °C alatti hőmérsékletre. ■ Engedje el a triggert; vegye le a láncfűrész és a láncvezetőt a fáról, majd indítsa újra a láncfűrész.
A motor jár, de a lánc nem forog.	<ul style="list-style-type: none"> ■ A lánc nem illeszkedik a lánckerékre. ■ A szennyeződés megakadályozza a visszarúgás elleni fékfogantyú teljes mozgását. ■ A láncfék esetleg meghibásodott. 	<ul style="list-style-type: none"> ■ Tegye vissza a láncot, és győződjön meg arról, hogy a lánc lánchajtó szemei teljesen a lánckeréken vannak-e. ■ A szennyeződés megakadályozza a visszarúgás elleni fékfogantyú teljes mozgását. ■ A javításhoz forduljon az EGO ügyfélszolgálatához.

HU

PROBLÉMA	OK	MEGOLDÁS
A láncfűrész nem megfelelően vág.	<ul style="list-style-type: none"> ■ Nem megfelelő láncfeszesség. ■ Tompa lánc. ■ A lánc hátrafelé van behelyezve. ■ Elkopott lánc. ■ Száraz vagy túlságosan megnyúlt lánc. 	<ul style="list-style-type: none"> ■ Lazítsa meg a gyors láncfeszesség beállító gombot legalább két fordulattal az óramutató járásával ellentétes irányban, majd teljesen húzza meg az óramutató járásával megegyező irányban, amíg a lánc megfelelően meg nem feszül. ■ Élezze meg a fűrészláncot a „A VÁGÓ ÉLEZÉSE” fejezetben leírt módon. ■ Helyezze vissza a fűrészláncot a „LÁNCVEZETŐ ÉS LÁNC CSERÉJE” fejezetben leírt módon. ■ Cserélje ki a fűrészláncot a „LÁNCVEZETŐ ÉS LÁNC CSERÉJE” fejezetben leírt módon. ■ Ellenőrizze az olajszintet az olajtartályban. Töltsse fel az olajtartályt, ha szükséges.
A lánc leesik a láncvezetőről.	<ul style="list-style-type: none"> ■ Nem megfelelő láncfeszesség. ■ A lánc nem illeszkedik a lánckerékre. 	<ul style="list-style-type: none"> ■ Lazítsa meg a gyors láncfeszesség beállító gombot legalább két fordulattal az óramutató járásával ellentétes irányban, majd teljesen húzza meg az óramutató járásával megegyező irányban, amíg a lánc megfelelően meg nem feszül. ■ Helyezze vissza a láncot a „LÁNCVEZETŐ ÉS LÁNC CSERÉJE” fejezetben leírt módon, és győződjön meg arról, hogy a lánc lánchajtó szemei teljesen a lánckeréken vannak-e.
A láncvezető és a lánc forró és füstöl.	<ul style="list-style-type: none"> ■ A lánc olajtartály üres. ■ Szennyeződés van a láncvezetőn. 	<ul style="list-style-type: none"> ■ Lánccsere és lánc kenőanyag feltöltése. ■ Távolítsa el a szennyeződéseket a láncvezetőről.

GARANCIA

EGO GARANCIÁLIS FELTÉTELEK

Kérjük, látogasson el az egopowerplus.com oldalra, ahol megtalálja a részletes EGO garanciális feltételeket.

CITIȚI TOATE INSTRUCȚIUNILE!



CITIȚI MANUALUL DE INSTRUCȚIUNI

⚠ Riscuri reziduale! Persoanele cu dispozitive electronice precum stimulatoare cardiace ar trebui să se consulte cu medicul (medicii) înainte de a utiliza acest produs. Funcționarea echipamentelor electrice în imediata apropiere a unui stimulator cardiac ar putea provoca interferențe sau defecțiuni ale stimulatorului cardiac.

SIMBOL DEEE

Scopul simbolurilor privind siguranța este să vă atragă atenția asupra pericolelor posibile. Simbolurile privind siguranța și explicațiile furnizate cu acestea merită atenția

SIMBOLURI DE SIGURANȚĂ



Alertă privind siguranța



Purtați echipament de protecție oculară



Purtați echipament de protecție a capului



Șină de ghidare



Recul vârful șinei de ghidare



A nu se expune la ploaie.



Deșeurile produselor electrice nu trebuie să fie eliminate împreună cu deșeurile menajere. Predați-le unui punct de reciclare autorizat.

V Volt



Curent continuu



Pentru a reduce riscul de vătămare, utilizatorul trebuie să citească și să înțeleagă manualul de instrucțiuni înainte de a utiliza acest produs.



Purtați echipament de protecție auditivă



Purtați mănuși de protecție



Nu utilizați ferăstrăul cu lanț cu o singură mână.



Utilizați întotdeauna ferăstrăul cu lanț cu ambele mâini.



Ferțiți-vă de reculul ferăstrăului cu lanț și evitați contactul cu vârful șinei.



Zgomot


min⁻¹ rotații pe minut

CE CE



RO

SPECIFICAȚII

Tensiune	56 V 	
Temperatură de funcționare recomandată:	-15°C-40°C	
Temperatură de depozitare recomandată:	-20°C-70°C	
Temperatură optimă de încărcare	5 °C-40 °C	
Viteza lanțului	20 m/sec	
Pasul lanțului	9,5 mm	
Adâncime dinte lanț	1,3 mm	
Tip de lanț de ferăstrău	91PX062X 90PX056X 90PX052X	
Tip șină de ghidare	180SDEA041 164MLEA041 144MLEA041	
Capacitate rezervor de ulei de lanț	200 ml	
Greutate (fără set de acumulatori, teacă de lanț)	4,4kg	
Nivel de putere sonoră măsurată L_{WA}	103,53 dB(A) K=1,17 dB(A)	
Nivel de presiune sonoră la urechea operatorului L_{PA}	92,53 dB(A) K=3,0 dB(A)	
Nivel de putere acustică garantat L_{WA} : (conform 2000/14/CE)	105 dB(A)	
Vibrații a_n	Mâner frontal	5,158 m/s ² K=1,5 m/s ²
	Mâner posterior	5,537 m/s ² K=1,5 m/s ²

- Valoarea totală declarată a vibrațiilor a fost măsurată în conformitate cu o metodă standard de testare și poate fi utilizată pentru compararea sculelor între ele;
- Valoarea totală declarată poate fi utilizată în evaluarea preliminară a expunerii.

OBSERVAȚIE: Vibrațiile emise în timpul utilizării efective a sculei electrice pot diferi față de valoarea celor declarate pentru scula utilizată; Pentru protejerea operatorului, utilizatorul trebuie să poarte mănuși și protecții auditive în timpul utilizării efective a produsului.

DESCRIEREA

DESCRIEREA FERĂSTRĂULUI DUMNEAVOASTRĂ CU LANȚ (Fig. 1)

132

FERĂSTRĂU CU LANȚ ȘI CU ACUMULATOR — CS1800E

- Orificiu lubrifiere
- Șină de ghidare
- Lanț ferăstrău
- Bușon rezervor de ulei
- Mâner frână de recul lanț
- Mâner frontal
- Buton de eliberare a acumulatorului
- Buton de blocare
- Întreprupător declanșator cu selector de viteză
- Contacte electrice
- Mecanism de ejectare
- Hublou de vizualizare ulei
- Mâner posterior
- Buton LED
- Faruri LED
- Gheară
- Buton de ajustare rapidă a tensionării lanțului
- Capac lateral
- Teacă lanț

LISTA COMPONENTELOR

DENUMIREA PIESELOR	CANTITATE
Bloc motor ferăstrău cu lanț	1
Lanț ferăstrău	1
Șină de ghidare	1
Teacă lanț	1
Manual de utilizare	1

ASAMBLAREA

ASAMBLAREA/ÎNLOCUIREA ȘINEI DE GHIDARE ȘI A LANȚULUI

⚠️ AVERTISMENT: Reglați mânerul frânei de lanț anti-recul în poziția de frânare înainte de a asambla.

- Poziționați blocul motor al ferăstrăului cu lanț pe o parte cu capacul lateral îndreptat în sus (Fig. 2).
- Îndepărtați capacul lateral rotind butonul de ajustare rapidă a tensionării lanțului în sens invers acelor de ceas.
- Așezați noul lanț de ferăstrău într-o buclă pe o suprafață dreaptă și îndreptați orice răsuciri.
- Amplasați verigile conductoare ale lanțului pe canelura șinei de ghidare efectuați o buclă din lanțul pe spatele șinei (Fig. 3).

3-1	Verigi de transmisie lanț
3-2	Canelură șină de ghidare

5. Mențineți lanțul poziționat pe bară și amplasați bucla lanțului în jurul roții dințate de pe blocul motor (Fig.4).

OBSERVAȚIE: Mici săgeți direcționale sunt gravate pe lanțul și pe blocul motor ale ferăstrăului. Când așezați bucla lanțului pe șină, asigurați-vă că direcția săgeților de pe lanțul ferăstrăului corespunde cu direcția săgeții de pe blocul motor.

6. Repuneți la loc capacul lateral și strângeți la maxim butonul de ajustare rapidă a tensionării lanțului. Roata dințată excentrică din interiorul capacului lateral este proiectată să asigure că lanțul nu va fi supra tensionat.
7. Ajustați mânerul de frânare al reculului lanțului în poziția de funcționare, după care rotiți lanțul cu mâna pentru a verifica dacă lanțul este asamblat corect fără să se agațe. În caz contrar, reasamblați lanțul și șina.

OBSERVAȚIE: Există o plăcuță de reglare conectată de șina de ghidare cu ajutorul unui șurub. În cazul care șina de ghidare trebuie înlocuită, demontați plăcuța de ajustare de șina de ghidare și reasamblați-o pe noua șină de ghidare conform ilustrațiilor din Fig.5.

FUNCȚIONAREA

SCOPIUL UTILIZĂRII

Puteți utiliza acest produs pentru doborârea simplă a copacilor, tăierea crengilor, curățarea copacilor și decuparea cherestelei și a copacilor.

OBSERVAȚIE: Scula trebuie utilizată numai în scopul pentru care a fost proiectată. Orice altă utilizare este considerată a fi caz de utilizare necorespunzătoare.

ATAȘAREA/DETAȘAREA SETULUI DE ACUMULATORI

Încărcați acumulatorul complet înainte de prima utilizare.

Utilizați numai seturile de acumulatori EGO și încărcătoarele de mai jos:

ACUMULATOR	ÎNCĂRCĂTOR
BA1120E, BA2240E, BA1400, BA2800, BA3360, BA4200, BA1400T, BA2800T, BA4200T, BA5600T	CH2100E, CH5500E

Pentru atașare

Aliniați nervurile de pe acumulator cu fantele de montare și apăsați în jos setul de acumulatori până la auzul unui clic (Fig. 6).

Pentru detașare

Apăsați butonul de detașare al setului de acumulatori și scoateți setul de acumulatori (Fig. 7).

FARURILE CU LED

Farul cu LED (Fig. 1-15) este situat în partea din față a blocului motor al ferăstrăului. Acesta furnizează lumină suplimentară pentru sporirea vizibilității și poate fi reglat pe 2 nivele de luminozitate.

Pentru a porni lumina, apăsați o dată butonul LED (Fig. 1-14). Farul furnizează o lumină strălucitoare în fața ferăstrăului. Apăsați butonul LED o a doua oară și farul va străluci mai tare.

Pentru a opri farul, apăsați butonul LED pentru a treia oară.

PORNIREA/OPRIREA FERĂSTRĂULUI CU LANȚ Înainte de a porni ferăstrăul cu lanț

OBSERVAȚIE: Înainte de pune în funcțiune ferăstrăul cu lanț, verificați butonul de tensionare rapidă a lanțului și nivelul uleiului, gradul de ascuțire al dinților de tăiere, mânerul frânei de recul. Pe lângă acestea, o poziționare echilibrată și o distanțare corectă de sol sunt necesare.

Pornirea

1. Trageți mânerul frânei de recul a lanțului înspre mânerul frontal în poziția de funcționare.
2. Apucați cu fermitate mânerul frontal și cel posterior, cu ambele mâini.
3. Apăsați și mențineți apăsat butonul de siguranță, după care strângeți trăgaciul declanșator cu selector de viteză pentru a porni ferăstrăul. Viteza lanțului va crește în funcție de presiunea mărită pe selectorul de viteză.
4. Eliberați butonul de siguranță și strângeți în continuare trăgaciul cu selector de viteză pentru funcționare continuă.

Apucarea corectă a mânerelor (Fig. 8)

- Purnați mănuși antiderapante pentru aderență maximă și protecție.
- Cu ferăstrăul așezat pe o suprafață fermă, dreaptă, apucați ferăstrăul cu ambele mâini.
- Întotdeauna apucați mânerul frontal cu mâna stângă și mânerul posterior cu mâna dreaptă.

RO

- Degetele trebuie să cuprindă mânerul, cu degetul mare înfășurat sub mânerul frontal.

⚠️ AVERTISMENT: Nu utilizați niciodată o poziție stângace (cu brațele încrucișate) sau orice altă poziție care v-ar poziționa corpul sau brațul peste linia lanțului (Fig. 9).

Poziție corectă de tăiere (Fig. 10)

- Ambele picioare trebuie poziționate stabil pe teren ferm, cu greutatea distribuită uniform între ele.
- Brațul stâng trebuie să fie drept, cu cotul blocat. Această poziție ajută la suportarea forțelor generate de recul.
- Corpul dumneavoastră trebuie întotdeauna poziționat în stânga lanțului.

TĂIEREA

Tăierea bazică

- Pentru utilizatorii începători, vă rugăm exersați tăierea buștenilor pe o capră sau alt support.
- Începeți tăierea prin apăsarea ușoară a șinei de ghidare pe lemn. Apăsați întotdeauna ușor, lăsând ferăstrăul să-și facă treaba
- Mențineți o viteză constantă pe tot parcursul tăierii, eliberând presiunea chiar cu puțin timp înainte de terminarea tăierii.

⚠️ AVERTISMENT: Când ferăstrăul este oprit datorită blocării în timpul tăierii, eliberați trăgaciul declanșator, scoateți lanțul și șina de ghidare din lemn, după care reporniți ferăstrăul.

⚠️ AVERTISMENT: Nu scoateți lanțul ferăstrăului cu mâinile când acesta este acoperit de rumeguș.

⚠️ AVERTISMENT: Nu porniți niciodată ferăstrăul când acesta este în contact cu lemnul. Întotdeauna așteptați ca ferăstrăul să atingă viteza maximă de funcționare înainte de a-l pune în contact cu lemnul.

DOBORĂREA UNUI COPAC

- Când operațiile de tăiere în bușteni și doborâre sunt executate de două sau mai multe persoane în același timp, operațiunile de doborâre ar trebui separate de cele de tăiere la o distanță de cel puțin dublă față de înălțimea copacului doborât. Copacii nu trebuie doborâți într-un mod care ar putea pune în pericol o altă persoană, doborî o linie de curent sau cauza pagube materiale. În cazul contactului unui copac cu vreo linie utilitară, furnizorul de utilități trebuie avertizat imediat.
- Operatorul ferăstrăului cu lanț trebuie să stea în partea superioară a pantei, întrucât copacul se poate rostogoli sau să alunece după ce este doborât.
- Trebuie planificat și curățat de obstacole un traseu de degajare după cum este necesar, înainte de a începe

tăierea. Traseul de degajare trebuie să se extindă înapoi și pe diagonală în spatele liniei preconizate de cădere a copacului precum în ilustrația din Fig. 11.

11-1	Direcție de doborâre
------	----------------------

- Înainte de a începe tăierea, țineți seama de înclinarea naturală a copacului, de amplasamentul crengilor mari și de direcția vântului pentru a aprecia direcția de cădere a copacului.
- Îndepărtați murdăria, pietrele, coaja de copac dezlipită, ciulele, capsele și sârmele de pe copac.

Efectuarea unei creștături

Efectuați creștătura la 1/3 din diametrul copacului, perpendiculară pe direcția de cădere precum în ilustrația din Fig. 12. Efectuați mai întâi o creștătură orizontală joasă. Creștătura va ajuta la prevenirea prinderii fie a lanțului, fie a șinei de ghidare când a două creștătură este executată.

Tăietură de doborâre

- Efectuați o tăietură dorsală de doborâre cu cel puțin 50 mm mai sus de creștătura orizontală precum în ilustrația din Fig. 12-3.

12-1	Direcția căderii	12-3	Tăietură de doborâre
12-2	Creștătură	12-4	Muchie de basculare

Păstrați tăietura dorsală paralelă cu creștătura orizontală. Efectuați tăietura dorsală astfel încât să rămână suficient de mult lemn care să acționeze ca muchie pentru basculare. Muchia de basculare va împiedica rotirea și căderea copacului în direcția greșită. Nu secționați complet muchia.

- Pe măsură ce tăietura se apropie de muchia lăsată pentru basculare, copacul ar trebui să înceapă să cadă. În cazul în care există și cea mai mică posibilitate ca arborele să nu cadă în direcția dorită sau să se balanseze și să prindă lanțul, opriți tăierea înainte de secționarea completă și utilizați pene de lemn, plastic sau aluminiu pentru a mări tăietura și a face copacul să cadă în direcția dorită.
- Când copacul începe să cadă, scoateți ferăstrăul cu lanț din tăietură, opriți motorul, așezați produsul pe jos și luați-o pe traseul de degajare planuit. Atenție la crengile de deasupra ce pot să cadă și la unde pășiți.

Tăierea crengilor unui copac doborât

Tăierea crengilor unui copac doborât reprezintă îndepărtarea ramurilor acestuia. Când efectuați această operație, lăsați crengile mai mari inferioare să sprijine copacul de sol. Îndepărtați crengile mici dintr-o singură

tăietură precum în ilustrația din Fig. 13. Ramurile aflate sub tensiune trebuie tăiate de jos în sus pentru a evita îndoirea ferăstrăului cu lanț.

Tăierea în bușteni

- Tăierea în bușteni reprezintă secționarea copacului în lungimi stabilite. Este important să vă asigurați că picioarele sunt amplasate stabil și că greutatea corpului dumneavoastră este distribuită egal pe ambele picioare. Când este posibil, bușteanul trebuie ridicat și sprijinit cu ajutorul crengilor, a buștenilor sau a unor bucăți de lemn. Urmați aceste instrucțiuni simple pentru secționarea cât mai ușoară.
- Când bușteanul este sprijinit pe întreaga sa lungime precum în Fig. 14 ilustrată, acesta trebuie secționat începând de sus (tăiere pe sus).
- Când bușteanul este sprijinit la un capăt, precum în precum în Fig. 15 ilustrată, tăiați 1/3 din diametru pe dedesubt
- (tăiere pe sub). Apoi efectuați tăietura finală pe deasupra pentru a întâlni prima tăietură.
- Când bușteanul este sprijinit la ambele capete, precum în Fig. 16 ilustrată, tăiați 1/3 din diametru dinspre partea de sus a bușteanului (tăiere pe sus). Apoi efectuați tăietura finală pe dedesubt la 2/3 pentru a întâlni prima tăietură.
- Când tăiați un buștean pe o pantă, stați întotdeauna mai sus de buștean, așa cum este ilustrat în Fig. 17.
- Când tăiați complet bușteanul, pentru a menține controlul integral, reduceți presiunea de tăiere aproape de sfârșitul tăieturii, fără a relaxa mâinile care sunt pe mânerle ferăstrăului. Nu lăsați lanțul să intre în contact cu solul. După terminarea tăierii, așteptați ca lanțul ferăstrăului să se oprească înainte de a deplasa ferăstrăul. Întotdeauna opriți motorul înainte de a vă deplasa de la un copac la altul.

ÎNTREȚINEREA

UMPLEREA CU LUBRICANT DE ȘINĂ ȘI DE LANȚ

OBSERVAȚIE: În momentul cumpărării, ferăstrăul cu lanț nu este umplut cu ulei. Este esențial să umpleți rezervorul cu ulei înainte de utilizare. Lanțul este uns automat cu ulei de lanț în timpul funcționării.

1. Poziționați ferăstrăul cu lanț pe o parte cu capacul rezervorului de ulei îndreptat în sus.
2. Curățați capacul precum și zona din jurul acestuia, după care rotiți-l în sens invers acelor de ceas pentru a-l îndepărta (Fig. 18).
3. Turnați cu atenție uleiul special conceput în rezervor până acesta atinge partea de jos a manșonului filtrului.

4. Ștergeți uleiul în exces și repuneți capacul la loc.

OBSERVAȚIE: În poziție verticală, uleiul trebuie să umple hubloul de vizualizare. Când uleiul nu mai este vizibil prin hubloul de vizualizare, opriți imediat utilizarea ferăstrăului și reumpleți cu ulei.

CURĂȚARE

- După fiecare utilizare, îndepărtați reziduurile de pe lanț și de pe șina de ghidare cu ajutorul unei perii moi. Ștergeți suprafața ferăstrăului cu o cârpă curată, umezită cu o soluție ce conține un detergent slab.
- Îndepărtați capacul lateral, după care utilizați o perie moale pentru îndepărtarea reziduurilor de pe șina de ghidare, lanț, roată dințată și capac lateral.
- Întotdeauna îndepărtați așchiile, rumegușul și murdăria de pe canelura șinei de ghidare când înlocuiți lanțul ferăstrăului.

ÎNTREȚINEREA ȘINEI DE GHIDARE

Când șina de ghidare prezintă semne de uzură, demontați-o de pe blocul motor al ferăstrăului și inversați-o pentru a o reasambla (Fig. 19), în care caz uzura va fi distribuită pentru o durată maximă de viață a șinei de ghidare.

Șina de ghidare trebuie curățată în fiecare zi de utilizare și verificată pentru depistarea uzurii. Fleurajul sau bavurarea șinelor face parte din procesul normal de uzură al șinei. Astfel de defecte pot fi netezite cu o pilă imediat după ce au loc. O șină cu următoarele defecte trebuie înlocuită.

- Uzură în interiorul șinelor ce permite lanțului să stea în lateralul șinei.
- Șină de ghidare îndoită.
- Șine crăpate sau sparte.
- Șine întinse.

Suplimentar, șina de ghidare este echipată în vârf cu o roată dințată (Fig. 20-1). Roata dințată trebuie unsă săptămânal cu o seringă cu grăsime pentru a prelungi durata de viață a șinei (Fig. 21). Utilizați o seringă pentru a unge zilnic cu ulei de lanț prin orificiul de lubrifiere (Fig. 20-2). Întoarceți șina de ghidare și asigurați-vă că orificiile de lubrifiere și canelurile lanțului nu sunt acoperite de impurități.

ÎNTREȚINEREA LANȚULUI

Cu acest ferăstrău utilizați numai lanțuri cu risc redus de recul. Acest lanț de tăiere rapid va reduce reculul dacă este întreținut corect.

Un ferăstrău ascuțit corect va secționa lemnul fără efort, chiar și cu presiune foarte mică. Nu utilizați niciodată un lanț tocit sau avariât. Un lanț tocit de ferăstrău are tendința să apese mai tare, duce la creșterea încălcării vibratorii, la rezultate de tăiere nesatisfăcătoare și la uzură sporită.

RO

Pentru tăiere uniformă și rapidă, lanțul trebuie întreținut corespunzător. Lanțul trebuie ascuțit când așchiile de lemn sunt mici și prăfoase, când lanțul trebuie forțat prin lemn în timpul tăierii sau dacă lanțul taie într-o parte. În timpul întreținerii lanțului, luați în considerare următoarele:

- Un unghi necorespunzător de pîlire al plăcii laterale poate crește riscul de recul sever.
- Distanța limitatorului de adâncime. Prea mică, va crește potențialul de recul. Insuficient de joasă descrește abilitatea de tăiere.
- Dacă dinții de tăiere lovesc obiecte tari precum cuiele și pietrele, sau dacă s-au murdărit de noroi sau nisip de pe lemn, dați lanțul la ascuțit unui tehnician de service autorizat.

TRANSPORTAREA ȘI DEPOZITAREA

- Nu depozitați sau transportați ferăstrăul cu lanț când acesta este în funcțiune. Întotdeauna îndepărtați setul de acumulatori înainte de a depozita sau transporta scula.
- Întotdeauna plasați teaca de șină pe șina de ghidare și lanț înainte de a depozita sau transporta ferăstrăul. Fiți precaut pentru a evita dinții ascuțiți ai lanțului.
- Curățați bine ferăstrăul înainte de a-l depozita. Depozitați ferăstrăul cu lanț în interior, într-un loc uscat care este închis cu cheia ași/sau inaccesibil copiilor.
- Țineți-l la distanță de agenți corozivi, precum substanțele chimice de grădină și sărurile de dezghețare.

RO

Protejarea mediului înconjurător



DEEE (Deșeurile de echipamente electrice și electronice)

Nu eliminați echipamentul electric, încărcătorul de acumulator și acumulatorul împreună cu deșeurile menajere! Predați acest produs unui punct de reciclare autorizat sau puneți-l la dispoziția colectării separate. Suclele electrice trebuie returnate unui centru de reciclare ecologic.

DEPANAREA

PROBLEMĂ	CAUZĂ	SOLUȚIE
Motorul nu pornește.	<ul style="list-style-type: none"> ■ Setul de acumulatori nu este atașat la ferăstrăul cu lanț. ■ Nu există contact electric între ferăstrău și acumulator. ■ Setul de acumulatori este descărcat. ■ Setul de acumulatori sau ferăstrăul sunt prea calde. ■ Frâna de lanț este activată. ■ Reziuuri în canelura șinei. ■ Reziuuri în capacul lateral. 	<ul style="list-style-type: none"> ■ Atașați setul de acumulatori de ferăstrău. ■ Îndepărtați acumulatorul, verificați contactele și reinstalați setul de acumulatori. ■ Încărcați setul de acumulatori. ■ Lăsați setul de acumulatori sau ferăstrăul cu lanț să se răcească până când temperatura scade sub 67 °C. ■ Trageți mânerul frânei de recul a lanțului în spate, spre mânerul frontal în poziția de funcționare. ■ Apăsați din nou ferăstrăul pe lemn, deplasați ferăstrăul cu lanț înainte și înapoi pentru îndepărtarea reziuurilor. ■ Îndepărtați setul de acumulatori, după care detașați capacul lateral și curățați reziuurile.
Ferăstrăul cu lanț se oprește în timpul funcționării.	<ul style="list-style-type: none"> ■ Ferăstrăul cu lanț este suprasolicitat. ■ Setul de acumulatori sau ferăstrăul sunt prea calde. ■ Lanțul este prins în lemn. 	<ul style="list-style-type: none"> ■ Slăbiți sarcina. ■ Slăbiți sarcina. Lăsați setul de acumulatori sau ferăstrăul cu lanț să se răcească până când temperatura scade sub 67 °C. ■ Eliberați trăgaciul declanșator; scoateți lanțul și șina de ghidare din lemn, după care reporniți ferăstrăul.
Motorul funcționează, dar lanțul nu se rotește.	<ul style="list-style-type: none"> ■ Lanțul nu anclanșează roata dințată. ■ Resturi împiedică mișcarea completă a mânerului frânei de recul a lanțului. ■ Este posibil ca frâna de lanț să nu funcționeze corect. 	<ul style="list-style-type: none"> ■ Repuneți lanțul la loc, asigurându-vă că verigile de transmisie de pe lanț sunt instalate complet pe roata dințată. ■ Resturi împiedică mișcarea completă a mânerului frânei de recul a lanțului. ■ Contactați Serviciul clienți EGO pentru reparații.

RO

PROBLEMĂ	CAUZĂ	SOLUȚIE
Ferăstrăul cu lanț nu taie corect.	<ul style="list-style-type: none"> ■ Tensiune lanț insuficientă. ■ Lanț tocit. ■ Lanț instalat pe dos. ■ Lanț uzat. ■ Lanț uscat sau întins excesiv. 	<ul style="list-style-type: none"> ■ Slăbiți butonul de ajustare rapidă a tensionării lanțului minim două cercuri în sens opus acelor de ceas mai întâi, după care strângeți-le complet în sensul acelor de ceas până când lanțul este tensionat corect. ■ Ascuțiți dinții de tăiere ai lanțului, urmând instrucțiunile din capitolul: „INSTRUCȚIUNI DE ASCUȚIRE AI DINȚILOR”. ■ Repuneți la loc lanțul de ferăstrău urmând instrucțiunile din capitolul: „ASAMBLAREA/ ÎNLOCUIREA ȘINEI ȘI A LANȚULUI”. ■ Înlocuiți lanțul de ferăstrău urmând instrucțiunile din capitolul: „ASAMBLAREA/ ÎNLOCUIREA ȘINEI ȘI A LANȚULUI”. ■ Verificați nivelul de ulei din rezervor. Umpleți rezervorul de ulei dacă este nevoie.
Lanțul cade de pe șina de ghidare.	<ul style="list-style-type: none"> ■ Tensiune lanț insuficientă. ■ Lanțul nu anclanșează roata dințată. 	<ul style="list-style-type: none"> ■ Slăbiți butonul de ajustare rapidă a tensionării lanțului minim două cercuri în sens opus acelor de ceas mai întâi, după care strângeți-le complet în sensul acelor de ceas până când lanțul este tensionat corect. ■ Reinstalați lanțul, respectând instrucțiunile din „ASAMBLAREA/ÎNLOCUIREA ȘINEI ȘI A LANȚULUI”, asigurându-vă că verigile lanțului se află instalate complet pe roata dințată.
Șina și lanțul se încălzesc și emană fum.	<ul style="list-style-type: none"> ■ Rezervor de ulei de lanț este gol. ■ Reziduuri în canelura șinei de ghidare. 	<ul style="list-style-type: none"> ■ Umplerea cu lubrifiant de șină și de lanț. ■ Curățați reziduurile din canelură.

RO

GARANȚIE

POLITICA PRIVIND GARANȚIA EGO

Vă rugăm să consultați site-ul egopowerplus.com pentru termenii și condițiile complete ale politicii privind garanția EGO.

PREBERITE VSA NAVODILA!



PREBERITE PRIROČNIK Z NAVODILI ZA UPORABO

⚠ Tveganje zaradi preostalega toka! Pred uporabo izdelka se morajo osebe z elektronskimi napravami, kot je srčni spodbujevalnik, posvetovati s svojim zdravnikom. Delovanje električne opreme v bližini srčnega spodbujevalnika lahko povzroči motnje ali okvaro srčnega spodbujevalnika.

VARNOSTNI SIMBOL

Namen varnostnih simbolov je, da vas opozorijo na morebitne nevarnosti. Bodite pozorni na varnostne simbole in njihova pojasnila ter jih poskušajte razumeti. Opozorilni

simboli sami ne odpravljajo nobene nevarnosti. Navodila in opozorila niso nadomestilo za ustrezne ukrepe za preprečevanje nesreč.

⚠ OPOZORILO: poskrbite, da boste pred uporabo orodja prebrali in razumeli vsa varnostna navodila v priročniku z navodili za uporabo, vključno z vsemi simboli za varnostna opozorila, kot so »**NEVARNOST**«, »**OPOZORILO**«, in »**SVARILO**«. Neupoštevanje spodaj navedenih navodil se lahko odrazi v električnem udaru, požaru in/ali resnih telesnih poškodbah.

POMEN SIMBOLA

Na tej strani so prikazani in opisani varnostni simboli, ki se lahko pojavijo na tem izdelku. Preberite in osvojite navodila na stroju ter jih upoštevajte, preden se lotite sestavljanja in upravljanja stroja.

VARNOSTNI SIMBOLI



Varnostno opozorilo



Nosite zaščito za oči



Nosite zaščito za glavo



Vodilo meča



Povratni udarec konice meča



Ne izpostavljajte dežju.



Odpadnih električnih izdelkov ne odlagajte med gospodinjne odpadke. Odnosite jih na pooblaščen obrat za recikliranje.

V Volt



Enosmerni tok



Za zmanjšanje nevarnosti poškodb je pomembno, da si uporabnik pred uporabo naprave prebere uporabniški priročnik.



Nosite zaščito za ušesa



Nosite zaščitne rokavice



Verižne žage ne uporabljajte z eno roko.



Verižno žago vedno uporabljajte z obema rokama.



Pazite na povratni sunek verižne žage in preprečite stik s konico droga.




Hrup

min⁻¹ Število vrtljajev na minuto

CE CE

SL

TEHNIČNI PODATKI

Napetost	56 V 	
Priporočena delovna temperatura:	Od -15°C do 40°C	
Priporočena temperatura za shranjevanje:	Od -20° do 70° C	
Optimalna temperatura polnjenja	Od 5°C do 40°C	
Hitrost verige	20 m/s	
Delitev verige	9.5 mm	
Širina utora	1.3 mm	
Vrsta verige	91PX062X 90PX056X 90PX052X	
Vrsta meča	180SDEA041 164MLEA041 144MLEA041	
Volumen rezervoarja za olje verige	200 ml	
Teža (brez baterijskega sklopa, pokrova verige)	4.4kg	
Izmerjena raven zvočne moči L_{WA}	103,53 dB(A) K=1,17 dB(A)	
Raven zvočnega tlaka v ušesu upravljalca L_{PA}	92,53 dB(A) K=3,0 dB(A)	
Zajamčena raven zvočnega tlaka L_{WA} (v skladu z direktivo 2000/14/ES)	105 dB(A)	
Vibracije a_h	Sprednji ročaj	5,158 m/s ² K=1.5 m/s ²
	Zadnji ročaj	5,537 m/s ² K=1.5 m/s ²

- Nazivna skupna vrednost tresljajev je bila izmerjena v skladu s standardno preskusno metodo in jo je mogoče uporabiti za primerjavo enega orodja z drugim.
- Nazivno skupno vrednost tresljajev je mogoče uporabiti tudi za predhodno oceno izpostavljenosti.

OPOMBA: oddajanje tresljajev med dejansko uporabo električnega orodja se lahko razlikuje od nazivne vrednosti, v kateri se uporablja orodje. Upravljalcev se lahko zaščititi tako, da uporablja rokavice in naušnike, primerne dejanskim pogojem uporabe.

OPIS

SPOZNAJTE SVOJO VERIŽNO ŽAGO (slika 1)

1. Luknja za mazanje

2. Vodilo meča
3. Rezalna veriga
4. Pokrovček posode za olje
5. Ročaj zavore verige ob povratnem udarcu
6. Sprednji ročaj
7. Gumb za sprostitve baterije
8. Gumb za odklepanje
9. Stikalo za spreminjanje hitrosti
10. Električni kontakti
11. Mehanizem za izmet
12. Okence preverjanje ravni olja
13. Zadnji ročaj
14. Gumb LED
15. Žarometi LED
16. Zobniki za krojenje
17. Gumb za nastavitve napetosti verige
18. Stranski pokrov
19. Pokrov verige

VSEBINA PAKETA

IME DELA	KOLIČINA
Pogonska enota verižne žage	1
Rezalna veriga	1
Vodilo meča	1
Pokrov verige	1
Priročnik z navodili za uporabo	1

SESTAVLJANJE

NAMEŠČANJE/ZAMENJAVA MEČA IN VERIGE

⚠ OPOZORILO: Pred sestavljanjem nastavite zavorno ročico povratnega sunka verige v položaj za zaviranje.

1. Pogonsko enoto verižne žage namestite na stran tako, da bo stranski pokrov obrnjen navzgor (slika 2).
2. Gumb za nastavitve napetosti verige obrnite v nasprotni smeri urinega kazalca, da odstranite stranski pokrov.
3. Novo verigo v obliki zanke položite na ravno površino in poravnajte morebitne zgiibe.
4. Povezave pogona verige namestite v utor vodila meča in na zadnji strani vodila meča verigo obklopite v zanko (slika 3).

3-1	Členi gonila
3-2	Utor vodila meča

5. Verigo držite v položaju na vodilu meča in zanko namestite okoli zobnika pogonske enote (slika 4).

OPOMBA: v verigo in pogonsko enoto so vgrajene majhne smerne puščice. Pri nameščanju verige na vodilo meča poskrbite, da bo smer puščic na rezalni verigi skladna s smerjo puščice na pogonski enoti.

6. Zamenjajte stranski pokrov in do konca navijte gumb za hitro nastavitev napetosti verige. Ekscentrični zobnik znotraj stranskega pokrova je oblikovan na način, ki preprečuje prekomerno napetost verige.
7. Nastavite ročaj zavore ob povratnem udarcu v delovnem položaju in nato ročno zasukajte verigo, da preverite, ali je veriga sestavljena pravilno brez upogibanja. V nasprotnem primeru znova sestavite verigo in meč.

OPOMBA: na vodilo meča je z vijakom pritrjena nastavitvena plošča. Če je treba zamenjati vodilo meča, nastavitveno ploščo odstranite iz vodila meča in jo nato znova namestite na novo vodilo meča, kot je prikazano na sliki 5.

UPRAVLJANJE

UPORABA

Ta izdelek lahko uporabljate za osnovno podiranje dreves, kleščenje, obrezovanje in sečnjo lesa ter dreves.

OPOMBA: orodje lahko uporabljate samo za predvideni namen. Kakršna koli druga uporaba se smatra za nepravilno uporabo.

PRIKLJUČITEV/ODKLOP BATERIJSKEGA SKLOPA Pred prvo uporabo popolnoma napolnite baterijski sklop.

Napravo uporabljajte le z baterijskimi sklopi in polnilniki EGO, navedenimi spodaj:

BATERIJA	POLNILNIK
BA1120E, BA2240E, BA1400, BA2800, BA3360, BA4200, BA1400T, BA2800T, BA4200T, BA5600T	CH2100E, CH5500E

Napotki za priključitev

Rebra baterije poravnajte z režami za namestitvev in baterijski sklop potisnite navzdol, da zaslišite »klik« (slika 6).

Napotki za odklop

Pritisnite gumb za sprostitvev baterije in izvlecite baterijski sklop (slika 7).

ŽAROMETI LED

Žaromet LED (slika 1-15) je vgrajen pred pogonsko enoto verižne žage. Ta funkcija zagotavlja dodatno svetlobo in izboljšuje vidljivost v dveh stopnjah svetlosti.

Če želite vklopiti luči, enkrat pritisnite gumb LED (slika 1-14). Žarometi razsvetljejejo območje pred verižno žago. Ponovno pritisnite gumb LED, da povišate raven svetlosti žarometov.

Če želite izklopiti žaromete, v tretje pritisnite gumb LED.

ZAGON/ZAUSTAVITEV VERIŽNE ŽAGE

Pred zagonom verižne žage

OPOMBA: pred zagonom verižne žage preverite hitro nastavitev napetosti verige in nivo olja, ostrost zob verige in delovanje ročaja zavore verige ob povratnem udarcu. Poleg tega sta potrebni uravnotežena opora in primerna razdalja od tal.

Zagon

1. Ročaj zavore verige ob povratnem udarcu potegnite proti sprednjemu ročaju v položaj za delovanje.
2. Sprednji in zadnji ročaj trdno primate z obema rokama.
3. Pritisnite gumb za odklepanje in ga pridržite, nato stisnite stikalo za spreminjanje hitrosti, da vklopite žago. Hitrost verige se poveča, če močneje pritisnete stikalo za spreminjanje hitrosti.
4. Sprostite gumb za odklepanje in še naprej stiskajte stikalo za spreminjanje hitrosti za nadaljevanje delovanja.

Primeren oprijem na ročajih (slika 8)

- Za najboljši prijem in zaščito nosite protizdrsne rokavice.
- Z žago na trdni in ravni površini jo trdno držite z obema rokama.
- Sprednji ročaj vedno primate z levo roko, zadnjega pa z desno roko.
- Prsti morajo obkrožiti ročaj, palec pa mora biti ovit pod sprednjim ročajem.

⚠ OPOZORILO: nikoli ne uporabljajte levoročnega prijema (prekrižanih rok) ali položaja, ob katerem bi bila vaše telo ali roka preko linije verige (slika 9).

Pravilen položaj žaganja (slika 10)

- Obe stopali morata biti na trdni površini, teža pa mora biti enakomerno razporejena.

SL

- Leva roka mora biti iztegnjena, komolec pa nepremičen. To pomaga pri zoperstavljanju sil, ki jih ustvari povratni udarec.
- Vaše telo mora biti vedno levo od verižne žage.

ŽAGANJE

Osnovno žaganje

- Uporabniki, ki žago uporabljajo prvič, naj vadijo žaganje hlobov na kozi ali stojalu za žaganje.
- Žagati začnete tako, da vodilo meča narahlo pritisnete ob les. Pritiskajte narahlo, da omogočite delovanje žage.
- Ohranite enakomerno hitrost skozi celoten rez, stikalo popustite tik pred koncem reza.

⚠ OPOZORILO: ko se je veriga ustavila zaradi stiskanja med žaganjem, sprostite sprožilec stikala, odstranite verigo in vodilo meča iz lesa, nato verižno žago ponovno vključite.

⚠ OPOZORILO: Ne vlecite rezalne verige, ko je omejena z žagovino.

⚠ OPOZORILO: če je verižna žaga v stiku z lesom, je nikoli ne vključite. Pred začetkom žaganja vedno dovolite, da verižna žaga doseže polno hitrost.

PODIRANJE DREVES

- Če sta pri krojenju in podiranju dreves udeleženi dve osebi ali več hkrati, je treba podiranje dreves ločiti od krojenja vsaj v dvakratni razdalji višine drevesa, ki se ga podira. Dreves se ne sme podirati na kakršen koli način, ki bi ogrožal katero koli osebo, ali tako da bi morda udarila oz. poškodovala daljnovode ali druge lastnine. Če drevo pride v stik z daljnovodom, je treba nemudoma obvestiti podjetje za oskrbo z energijo, ki ima ta daljnovod v lasti.
- Upravitelj mora stati v zgornjem delu terena, saj se bo drevo zvalilo ali zdrsnilo po hribu navzdol potem, ko ga boste podrli.
- Preden začnete z žaganjem, je treba načrtovati in izprazniti pot umika. Pot za pobeg mora biti na voljo v smeri nazaj in diagonalno stran od pričakovane linije padca drevesa, kot je prikazano na sliki 11.

11-1	Smer sečnje
------	-------------

- Preden začnete s podiranjem, preučite naraven nagib drevesa, položaj večjih vej in smer vetra ter tako ocenite, v katero smer naj bi drevo padlo.
- Iz drevesa odstranite umazanijo, kamne, ohlapno lubje, žeblje, sponke in žico.

Izdelava zaseka

Zarezo naredite do 1/3 premera drevesa, pravokotno na smer padca, kot je prikazano na sliki 12. Najprej ustvarite spodnjo vodoravno zarezo. Tako se boste izognili ukleščanju verige ali vodila meča žage pri ustvarjanju druge zareze.

Rez za podiranje

- Zadnjo zarezo za podiranje naredite vsaj 50 mm višje od vodoravnega zaseka, kot je prikazano na sliki 12-3.

12-1	Smer padanja	12-3	Rez za podiranje
12-2	Zareza	12-4	Zgib

Zadnja zareza naj bo vzporedna spodnji. Zadnjo zarezo naredite tako, da ostane dovolj lesa, ki deluje kot sklep. Sklepni les omogoča, da se drevo ne zasuče in pade v napačno smer. Sklepa na prežagajte.

- Ko se zadnja zareza približuje sklepu, bi drevo moralo začeti padati. Če obstaja možnost, da drevo ne bo padlo v želeno smer ali se lahko nagne nazaj in uklešči verigo, prenehajte z žaganjem preden je zadnja zareza za podiranje končana in uporabite lesene, plastične ali aluminijaste zagozde, da odprete zarezo in da drevo pade v želeno smer.
- Ko drevo začne padati, iz zareze odstranite verižno žago, ustavite motor, žago odložite in uporabite načrtovano pot za umik. Pazite na padajoče veje nad vami ter na to, kod stopate.

Kleščenje drevesa

Kleščenje pomeni odstranjevanje vej s padlega drevesa. Pri kleščenju pustite daljše spodnje veje za podporo debla stran od tal. Manjše veje odstranite z enim rezom, kot je prikazano na sliki 13. Veje pod pritiskom morate odžagati od spodnjega dela navzgor, da se izognete upogibanju verižne žage.

Žaganje debela na hlode

- Krojenje pomeni žaganje debela na krajše kose. Pomembno je, da trdno stojite in da je vaša teža enakomerno razporejena na obe nogi. Če je mogoče, deblo dvignite in ga podprite z vejami, drugimi debli ali zagozdami. Sledite preprostim navodilom za enostavno žaganje.
- Ko je deblo podprto po celotni dolžini, kot je prikazano na sliki 14, ga odžagajte z zgornje strani.
- Ko je deblo podprto na eni strani, kot je prikazano na sliki 15, 1/3 premera odžagajte
- s spodnje strani. Nato rez dokončajte od zgoraj, tako da se reza srečata.

- Ko je deblo podprto na obeh straneh, kot je prikazano na sliki 16, 1/3 premera odžagajte z zgornje strani. Nato od spodaj zarezite še 2/3, tako da se reza srečata.
- Pri žaganju na pobočju vedno stojite na zgornji strani debela, kot je prikazano na sliki 17.
- Pri žaganju »skozi« za ohranitev popolnega nadzora sprostite pritisk žaganja ob koncu reza, vendar ne sprostite prijema na ročajih verižne žage. Pazite, da veriga ne pride v stik s tlemi. Po končanem žaganju počakajte, da se veriga ustavi, šele nato jo premaknite. Ko se pomikate od drevesa do drevesa, vedno ugasnite motor.

VZDRŽEVANJE

POLNJENJE MAZIVA ZA MEČ IN VERIGO

OPOMBA: ob nakupu v verižni žagi ni olja. Izjemno pomembno je, da pred uporabo rezervoar napolnite z oljem. Med delovanjem je veriga samodejno namazana z oljem za verigo.

1. Verižno žago namestite na stran tako, da bo pokrov rezervoarja za olje obrnjen proti vam.
2. Pokrovček in območje okoli njega očistite in nato ga obrnite v nasprotni smeri urinega kazalca, da ga odstranite (slika 18).
3. Posebej izdelano olje previdno vlijte v rezervoar, da bo segalo do dna vratu filtra.
4. Obrišite odvečno olje in zaprite pokrovček.

OPOMBA: v pokončnem položaju mora biti kontrolno okence napolnjeno z oljem. Ko olje v kontrolnem okencu ni več vidno, žago takoj prenehajte uporabljati in v rezervoar nalijte olje.

ČIŠČENJE

- Po vsaki uporabi z mehko krtačo z žage in vodila meča odstranite delce. Površino verižne žage obrišite s čisto in vlažno krpo ter nekaj mile čistilne raztopine.
- Odstranite stranski pokrov, nato z mehko krtačo odstranite delce z vodila meča, verige, zobnika in stranskega pokrova.
- Pri čiščenju verige vedno očistite delce lesa, žagovino in umazanijo iz utora vodila meča.

VZDRŽEVANJE VODILA MEČA

Če je vodilo meča obrabljeno, ga razstavite s pogonske enote verižne žage in ga obrnite ter ponovno sestavite (slika 19), s čimer boste porazdelili obrabo in podaljšali življenjsko dobo meča.

Meč je treba očistiti vsak dan uporabe in ga preveriti za obrabo in poškodbe. Na tirnicah meča se lahko pojavijo nitke oziroma igle, kar je normal proces obrabe. Takšne

napake je treba zgladiti s pilo takoj, ko se pojavijo. Meč s katero izmed naslednjih napak je treba zamenjati.

- Obraba znotraj tirnic meča ki dovoljuje verigi, da je nameščena preko stranic.
- Zvit meč.
- Počene tirnice.
- Razširjene tirnice.

Poleg tega ima vodilo meča zobnik na konici (slika 20-1). Zobnik je treba tedensko mazati z mastjo iz brizgalk, da podaljšate življenjsko dobo vodila meča (slika 21). Za tedensko mazanje z oljem uporabite brizgalko, da namažete luknjo za mazanje (slika 20-2). Vodilo meča obrnite in preverite, da v luknjah za mazanje in utoru verige ni nečistoč.

VZDRŽEVANJE VERIGE

S to žago uporabljajte le verige z nizkim povratnim udarcem. Ob pravilnem vzdrževanju bo ta žaga, ki omogoča hitro žaganje, zagotavljala zmanjšanje povratnega udarca.

Primerno nabrušena veriga reže skozi les brez napora tudi z zelo malo pritiska. Nikoli ne uporabljajte tope ali poškodovane verige. Topo rezilo verige vodi k povečani fizični obremenitvi, povečani obremenitvi zaradi vibracij, slabšim rezultatom žaganja in povečani obrabi.

Za gladko in hitro žaganje je treba verigo pravilno vzdrževati. Veriga zahteva ostrenje, kadar so lesni delci majhni in prašni, kadar je treba žago s silo potiskati skozi les med žaganjem ali če veriga reže na eno stran. Med vzdrževanjem vaše verige upoštevajte sledeče:

- Nepravilen kot piljenja stranske plošče lahko poveča tveganje za močan udarec nazaj.
- Razdalja merilnika globine. Premajhna poveča možnost za povratni udarec. Če ni dovolj nizka, zmanjša sposobnost žaganja.
- Če so zobje rezila zadeli ob trde predmete, kot so žebliji in kamni, ali pa sta jih zdrsala blato ali pesek na lesu, naj verigo nabrusi kvalificiran serviser.

PREVOZ IN SHRANJEVANJE

- Verižne žage ne prenašajte ali shranjujte kadar je v teku. Pred skladiščenjem ali transportom vedno odstranite baterijski sklop.
- Na vodilo meča in verigo pred skladiščenjem ali transportom verižne žage vedno namestite pokrov. Bodite previdni, da se izognete ostrim zobem verige.
- Pred skladiščenjem verižno žago temeljito očistite. Verižno žago skladiščite v notranjem prostoru, ki je zaklenjen in/ali nedostopen otrokom.
- Orodja ne shranjujte v bližini korozivnih sredstev, kot so vrtno kemikalije in soli za topljenje ledu.

SL

Varovanje okolja



Odpadna električna in elektronska oprema (OEEO)

Električne opreme, iztrošene baterije in polnilnika ne odvrzite med gospodinjske odpadke. Izdelek odnesite na pooblaščen obrat za recikliranje in ga zavrzite ločeno. Električna orodja je treba odnesti na obrat za recikliranje in ga reciklirati na okolju prijazen način.

SL

ODPRAVLJANJE TEŽAV

TEŽAVA	VZROK	REŠITEV
Motorja ni mogoče zagnati.	<ul style="list-style-type: none"> ■ Baterijski sklop ni pritrjen na verižno žago. ■ Med žago in baterijo ni električnega stika. ■ Baterijski sklop je izpraznjen. ■ Baterijski sklop ali verižna žaga je prevroča. ■ Zavora verige je aktivirana. ■ Delci v meču. ■ Delci v stranskem pokrovu. 	<ul style="list-style-type: none"> ■ Baterijski sklop pritržite na verižno žago. ■ Odstranite baterijo, preverite kontakte in znova namestite baterijo. ■ Napolnite baterijski sklop. ■ Baterijski sklop ali verižno žago ohladite do temperature, ki je nižja od 67 °C. ■ Zadnji ročaj zavore verige ob povratnem udarcu potegnite proti sprednjemu ročaju v položaj za delovanje. ■ Verigo pritisnite ob les ter verižno žago premaknite naprej in nazaj, da izpraznite delce. ■ Odstranite baterijski sklop, nato odstranite stranski pokrov in očistite delce.
Verižna žaga se ustavi med delom.	<ul style="list-style-type: none"> ■ Verižna žaga je preobremenjena. ■ Baterijski sklop ali verižna žaga je prevroča. ■ Veriga je zatakajena v lesu. 	<ul style="list-style-type: none"> ■ Zmanjšajte obremenitev. ■ Zmanjšajte obremenitev. Baterijski sklop ali verižno žago ohladite do temperature, ki je nižja od 67 °C. ■ Sprostite sprožilec stikala, odstranite verigo in vodilo meča iz lesa, nato verižno žago ponovno vključite.
Motor teče, vendar se veriga ne vrti.	<ul style="list-style-type: none"> ■ Veriga ne aktivira pogonskega zobnika. ■ Delci preprečujejo popolno premikanje ročaja zavore verige ob povratnem udarcu. ■ Možna je okvara zavore verige. 	<ul style="list-style-type: none"> ■ Ponovno namestite verigo in zagotovite, da so pogonske povezave na verigi popolnoma nameščene na zobniku. ■ Delci preprečujejo popolno premikanje ročaja zavore verige ob povratnem udarcu. ■ Za popravilo se obrnite na podporo za kupce izdelkov EGO.

SL

TEŽAVA	VZROK	REŠITEV
Verižna žaga ne žaga pravilno.	<ul style="list-style-type: none"> ■ Nezdostna napetost verige. ■ Topa veriga. ■ Veriga je nameščena v nasprotni smeri. ■ Obrabljena veriga. ■ Suha ali preveč raztegnjena veriga. 	<ul style="list-style-type: none"> ■ Odvijte gumb za hitro nastavitev napetosti verige v nasprotni smeri urinega kazalca (vsaj dva obrata) in ga nato privijte v smeri urinega kazalca, dokler veriga ni napeta pravilno. ■ Nabusite rezila verige. Sledite navodilom v razdelku »KAKO NABRUSITI REZILA«. ■ Znova namestite verižno žago v skladu z razdelkom »SESTAVLJANJE/ZAMENJAVA MEČA IN VERIGE«. ■ Zamenjajte verigo v skladu z razdelkom »SESTAVLJANJE/ZAMENJAVA MEČA IN VERIGE«. ■ Preverite nivo olja v rezervoarju za olje. Če je treba napolnite rezervoar za olje.
Veriga se sname z vodila meča.	<ul style="list-style-type: none"> ■ Nezdostna napetost verige. ■ Veriga ne aktivira pogonskega zobnika. 	<ul style="list-style-type: none"> ■ Odvijte gumb za hitro nastavitev napetosti verige v nasprotni smeri urinega kazalca (vsaj dva obrata) in ga nato privijte v smeri urinega kazalca, dokler veriga ni napeta pravilno. ■ Ponovno namestite verigo v skladu z razdelkom »SESTAVLJANJE/ZAMENJAVA MEČA IN VERIGE« in zagotovite, da so pogonske povezave na verigi popolnoma nameščene na zobniku.
Ob delovanju sta meč in veriga vroča, prisoten je dim.	<ul style="list-style-type: none"> ■ Rezervoar za olje je prazen. ■ Delci v utoru vodila meča. 	<ul style="list-style-type: none"> ■ Polnjenje maziva za meč in verigo. ■ Iz utora očistite delce.

SL

GARANCIJA

GARANCIJSKA POLITIKA DRUŽBE EGO

Za popolne pogoje garancijske politike družbe EGO obiščite spletno mesto egopowerplus.com.

PERSKAITYKITE VISĄ INSTRUKCIJĄ!**PERSKAITYKITE NAUDOJIMO INSTRUKCIJĄ**

⚠ Liekamasis pavojus! Žmonėms, kuriems implantuoti elektroniniai prietaisai, pvz., širdies stimulatoriai, prieš pradėdami naudoti šį gaminį, reikia pasitarti su savo gydytoju (-ais). Arti širdies stimulatoriaus veikianti elektros įranga gali trikdyti širdies stimulatoriaus veikimą arba jį sugadinti.

SAUGOS SIMBOLIS

Saugos simbolių paskirtis – atkreipti dėmesį į galimus pavojus. Gerai susipažinkite su saugos simboliais bei jų paaiškinimais ir juos įsidėmėkite. Simbolių įspėjimai patys savaime negali apsaugoti nuo pavojų. Jais žymimi

nurodymai ir įspėjimai neatstoja tinkamų nelaimingų atsitikimų prevencijos priemonių.

⚠ ĮSPĖJIMAS: Prieš pradėdami naudoti šį įrankį, perskaitykite visus šioje naudojimo instrukcijoje pateiktus saugos nurodymus, taip pat susipažinkite su visais saugos įspėjamaisiais simboliais, tokiais kaip **PAVOJUS**, **ĮSPĖJIMAS** ir **DĖMESIO** ir išitikinkite, ar juos supratote. Nesilaikant visų toliau išdėstytų nurodymų galima patirti elektros smūgį, sukelti gaisrą ir (ar) sunkiai susižaloti.

SIMBOLIO REIKŠMĖ

Šiame puslapyje pavaizduoti ir aprašyti saugos simboliai, kurie gali būti nurodyti ant šio gaminio. Prieš bandydami surinkti ir naudoti įrenginį, perskaitykite visus ant jo pateiktus nurodymus, išitikinkite, ar juos supratote, ir jais vadovaukitės.

SAUGOS SIMBOLIAI

Saugos įspėjimas



Užsidėti apsauginius akinius



Užsidėti galvos apsaugos priemonę



Pjovimo juosta



Pjovimo juostos viršūnės atatranka



Nenaudoti lyjant lietu



Elektros prietaisų atliekas draudžiama utilizuoti kartu su buitinėmis atliekomis. Perduoti įgaliotam perdirbėjui.

V

Volta



Nuolatinė elektros srovė



Kad sumažintų susižalojimo pavojų, naudotojas turi perskaityti naudojimo instrukciją ir išitikinti, kad ją suprato.



Dėvėti klausos apsaugos priemones



Mūvēti apsaugines pirštines



Nelaikykite grandininio pjūklo viena ranka



Grandininį pjūklą visada laikykite dviem rankomis



Saugokitės grandininio pjūklo atatrankos ir nelieskite juostos viršūnės



Triukšmas

min⁻¹


Sūčiai per minutę



CE

LT

TECHNINIAI DUOMENYS

Įtampa	56 V 	
Rekomenduojama darbinė temperatūra:	Nuo -15 °C iki 40 °C	
Rekomenduojama sandėliavimo temperatūra:	Nuo -20 °C iki 70 °C	
Optimali įkrovimo temperatūra	Nuo 5 °C iki 40 °C	
Grandinės greitis	20 m/s	
Grandinės žingsnis	9,5 mm	
Pjovimo gylio ribotuvas	1,3 mm	
Pjūklo grandinės tipas	91PX062X 90PX056X 90PX052X	
Pjovimo juostos tipas	180SDEA041 164MLEA041 144MLEA041	
Grandinės alyvos bakelio talpa	200 ml	
Svoris (be sudėtinės baterijos ir grandinės užmovos)	4,4kg	
Išmatuotas garso galios lygis L_{WA}	103,53 dB(A) K=1,17 dB(A)	
Garso slėgio lygis ties operatoriaus ausimi L_{PA}	92,53 dB(A) K=3,0 dB(A)	
Garantuojamas garso galios lygis L_{WA} (pagal 2000/14/EB)	105 dB(A)	
Vibracija a_h	Priekinė rankena	5,158 m/s ² K=1,5 m/s ²
	Galinė rankena	5,537 m/s ² K=1,5 m/s ²

- Nurodyta bendroji vibracijos vertė išmatuota taikant standartinį bandymo metodą, todėl pagal ją galima palyginti skirtingus įrankius.
- Nurodytą bendrąją vibracijos vertę taip pat galima naudoti pirminiam poveikio vertinimui.

PASTABA: Naudojant įrenginį realiomis sąlygomis, sklaidžiamos vibracijos stiprumo vertė gali skirtis nuo nurodytos. Kad apsaugotų dirbdamas realiomis sąlygomis, naudotojas turi mėvėti pirštines ir naudoti klausos apsaugos priemones.

APRAŠYMAS

SUSIPAŽINKITE SU SAVO GRANDININIŲ PJŪKLU

(1 pav.)

1. Tepimo anga
2. Pjovimo juosta
3. Pjūklo grandinė
4. Alyvos bakelio dangtelis
5. Grandinės atatrakos stabdymo rankena
6. Priekinė rankena
7. Baterijos atjungimo mygtukas
8. Blokuotės išjungiklis
9. Greičio reguliavimo jungiklis
10. Elektros kontaktai
11. Išstūmimo mechanizmas
12. Alyvos lygio patikrinimo langelis
13. Galinė rankena
14. LED mygtukas
15. LED darbiniai žibintai
16. Pjaustymo smaigai
17. Greito grandinės įtempimo reguliavimo rankenėlė
18. Šoninis gaubtas
19. Grandinės užmova

PAKUOTĖS TURINIO SĄRAŠAS

DALIES PAVADINIMAS	KIEKIS
Grandininio pjūklo variklio blokas	1
Grandininis pjūklas	1
Pjovimo juosta	1
Grandinės užmova	1
Naudojimo instrukcija	1

SURINKIMAS

PJOVIMO JUOSTOS IR GRANDINĖS MONTAVIMAS IR PAKEITIMAS

⚠ ĮSPĖJIMAS: Prieš pradėdami surinkimą nustatykite grandinės atatrakos stabdžio rankenėlę į stabdymo padėtį.

1. Padėkite grandininio pjūklo variklio bloką ant šono, kad šoninis gaubtas būtų nukreiptas aukštyn (2 pav.).
2. Pasukę greito grandinės įtempimo reguliavimo rankenėlę prieš laikrodžio rodyklę, nuimkite šoninį gaubtą.
3. Padėkite naujos pjūklo grandinės kilpą ant lygaus paviršiaus ir ištiesinkite sulenktas vietas.

4. Įstatykite grandininės varančiuosius narelius į pjovimo juostos griovelį ir palikite grandinės kilpą pjovimo juostos gale (3 pav.).

3-1	Grandinės varantieji nareliai
3-2	Pjovimo juostos griovelis

5. Laikykite grandinę tokioje padėtyje ant pjovimo juostos ir uždėkite kilpą ant žvaigždutės variklio bloke (4 pav.)

PASTABA: Ant pjūklo grandinės ir variklio bloko išgraviruotos mažos krypties rodyklės. Dėdami pjūklo grandinę į pjovimo juostą pasirūpinkite, kad rodyklių ant pjūklo grandinės ir ant variklio bloko kryptys sutaptų.

6. Vėl uždėkite šoninį gaubtą ir tvirtai priveržkite greito grandinės įtempimo reguliavimo rankenėlę. Ekscentrikas šoninio gaubto viduje užtikrina, kad grandinė per daug neįsitemptų.
7. Nustatykite grandinės atatranks stabdžio rankeną į darbinę padėtį ir ranka pasukite grandinę, kad patikrintumėte, ar ji tinkamai uždėta ir nekilūna. Priešingu atveju iš naujo surinkite grandinę ir juosta.

PASTABA: Prie pjovimo juostos yra varžtu pritvirtinta reguliavimo plokštelė. Jeigu pjovimo juostą reikia keisti, nuimkite reguliavimo plokštelę nuo pjovimo juostos ir pritvirtinkite ją prie naujos pjovimo juostos, kaip parodyta 5 paveiksle.

NAUDOJIMAS

PASKIRTIS

Šiuo gaminiu galima įprastai versti medžius, genėti stambias ir smulkias šakas, pjaustyti pjautinę medieną ir rąstus.

PASTABA: Įrankį naudoti tik pagal numatytąją paskirtį. Naudojimas bet koku kitu tikslu laikomas netinkamu naudojimu.

SUDĖTINĖS BATERIJOS ĮSTATYMAS IR IŠĖMIMAS Prieš naudodami pirmą kartą, visiškai įkraukite bateriją.

Naudokite tik toliau nurodytas „EGO“ sudėtines baterijas ir įkroviklius:

BATERIJA	ĮKROVIKLIS
BA1120E, BA2240E, BA1400, BA2800, BA3360, BA4200, BA1400T, BA2800T, BA4200T, BA5600T	CH2100E, CH5500E

Įstatymas

Įtaikykite baterijos briaunas į tvirtinimo griovelius ir spauskite bateriją žemyn, kol išgirsite spragtelėjimą (6 pav.).

Išėmimas

Nuspauskite baterijos atjungimo mygtuką ir ištraukite sudėtinę bateriją (7 pav.).

LED DARBINIAI ŽIBINTAI

LED darbiniai žibintai (1-15 pav.) yra grandininio pjūklo variklio bloko priekyje. Jie papildomai apšviečia pjaunamą ruošinį; apšvietimo ryškumą galima nustatyti į 2 lygius.

Norint apšvietimą įjungti, reikia vieną kartą spustelėti LED mygtuką (1-14 pav.). Darbiniai žibintai ryškia šviesa apšviečia zoną grandininio pjūklo priekyje. Paspaudus LED mygtuką antrą kartą, žibintai pradeda šviesti dar ryškiau. Norint apšvietimą išjungti, LED mygtuką reikia spustelėti trečiąjį kartą.

GRANDININIO PJŪKLO PALEIDIMAS IR IŠJUNGIMAS Prieš paleidžiant grandininį pjūklą

PASTABA: Prieš paleisdami grandininį pjūklą, patikrinkite grandinės sureguliuojamą greitą įtempimo rankenėlę, alyvos lygį, grandinės dantukų aštrumą ir ar tinkamai veikia atatranks stabdymo rankena. Be to, tvirtai atsistokite ir laikykite pjūklą tinkamame aukštyje virš žemės.

Paleidimas

1. Patraukite grandinės atatranks stabdymo rankeną priekinės rankenos link į darbinę padėtį.
2. Abiem rankomis tvirtai suimkite priekinę ir galinę rankenas.
3. Pirmiausia paspauskite blokuotės išjungimo mygtuką, tada paspauskite greičio reguliavimo jungiklį, kad paleistumėte pjūklą. Grandinės suksis tuo greičiau, kuo stipriau spausite greičio reguliavimo jungiklį.
4. Norėdami tęsti darbą, atleiskite blokuotės išjungimo mygtuką ir toliau laikykite nuspaudę greičio reguliavimo jungiklį.

Tinkamas rankenų laikymas (8 pav.)

- Mūvėkite neslidžias pirštines, užtikrinančias tvirtiausią sugriebimą ir apsaugą.
- Padėję pjūklą ant tvirto lygtaus paviršiaus, tvirtai laikykite jį abiem rankomis.
- Kairiąją ranka visada laikykite priekinę rankeną, o dešiniąją – galinę rankeną.
- Pirštai turi apimti rankeną. Priekinės rankenos apačioje turi būti nykštys.

LT

⚠️ ĮSPĖJIMAS: Niekada nelaikykite galinės rankenos kairiąja ranka (nesukryžiuokite rankų) ir nestovėkite taip, kad kūnas arba ranka kirstų grandinės plokštumą (9 pav.).

Tinkama stovėseną pjaunant (10 pav.)

- Reikia abiem kojomis stovėti ant tvirto pagrindo ir tolygiai paskirstyti kūno svorį ant jų.
- Kairioji ranka turi būti ištiesta, o alkūnė turi būti fiksuotoje padėtyje. Tai padeda atlaikyti atatranks sukuriamas jėgas.
- Kūnas visada turi būti grandinės plokštumos kairėje pusėje.

PJOVIMAS

Pagrindinis pjovimas

- Jeigu nesate naudoję grandininio pjūklo, pradžioje pabandykite pjauti pasidėję rąstus ant ožio.
- Pradėkite pjauti lengvai spausdami pjovimo juostą prie medienos. Per stipriai nespauskite, leiskite pjūklui atlikti savo darbą.
- Pjovimo metu palaikykite pastovų pjovimo greitį, atleisdami spaudimą tik prieš užbaigdami pjūvį.

⚠️ ĮSPĖJIMAS: Jei pjūklo grandinė sustoja dėl jos suspaudimo pjaunant, atleiskite jungiklį, ištraukite grandinę ir pjovimo juostą iš medienos ir po to vėl paleiskite grandininį pjūklą.

⚠️ ĮSPĖJIMAS: Jei pjūklo grandinė apsinėšę pjūvenomis, nebarkkite per ją ranka.

⚠️ ĮSPĖJIMAS: Niekada nebandykite paleisti grandininio pjūklo, kai jis liečia medieną. Prieš pradėdami pjauti medieną, visada palaukite, kol grandininis pjūklas pasiekė didžiausią greitį.

MEDŽIO VERTIMAS

- Kai du arba daugiau žmonių vienu metu pjauna rąstus ir verčia medžius, medžių vertimo ir rąstų pjovimo vietas turi skirti atstumas, kuris yra bent du kartus didesnis už pjaunamo medžio aukštį. Medžių negalima versti taip, kad kiltų pavojus žmonėms, būtų kliudomos elektros perdavimo linijos arba daroma žala nuosavybei. Jei medis kliudė elektros perdavimo liniją, reikia nedelsiant informuoti elektros perdavimo sistemos operatorių.
- Grandininio pjūklo operatorius turi stovėti aukštesnėje reljefo vietoje, nes nuverstas medis dažniausiai nurieda arba nuslysta žemyn.
- Prieš pradėdami pjauti suplanuokite ir, jei reikia, išvalykite atsitraukimo kelią. Einant atsitraukimo keliu, turi būti įstrižai tolstama nuo tikėtinos medžio vartimo krypties, kaip parodyta 11 pav.

11-1	Vertimo kryptis
------	-----------------

- Prieš pradėdami versti medį, atsižvelkite į esamą medžio pasvirimą, didesnių šakų augimo vietą ir vėjo kryptį, kad nuspręstumėte, į kurią pusę medis virs.
- Nuvalykite nešvarumus, pašalinkite akmenis, atsilupusią žievę, vėnis, kabes ir vielas nuo medžio.

Nukreipimo išpjova

Kaip parodyta 12 pav., padarykite medžio vartimo kryptį statmeną nukreipimo išpjovą, kurios gylis būtų 1/3 medžio skersmens. Pirmiausiai padarykite apatinę horizontalią išpjovą. Ji padės išvengti pjūklo grandinės arba pjovimo juostos prispaudimo darant antrą išpjovą.

Galinė nuvertimo išpjova

- Padarykite galinę nuvertimo išpjovą, kuri būtų bent 50 mm aukščiau nei horizontali išpjova, kaip parodyta 12-3 paveiksle.

12-1	Vertimo kryptis	12-3	Galinė nuvertimo išpjova
12-2	Išpjova	12-4	Lanksto funkciją atliekanti dalis

Galinė nuvertimo išpjova turi būti lygiagreti su horizontalia išpjova. Galinę nuvertimo išpjovą padarykite tokio gylio, kad liktų pakankamai medienos, kuri atliktų lanksto funkciją. Lanksto funkciją atliekanti medžio dalis neleidžia medžiui pasisukti ir virsti netinkama kryptimi. Neperpjaukite lanksto funkciją atliekančios dalies.

- Kai nuvertimo išpjova priartėja prie lanksto funkciją atliekančios dalies, medis turi pradėti virsti. Jei yra tikimybė, kad medis virs netinkama kryptimi arba pasvirs atgal ir prispaus pjūklo grandinę, nustokite daryti galinę nuvertimo išpjovą, mediniais, plastikiniais arba aliumininiais pleištais išplėskite išpjovą ir nuverskite medį reikiama kryptimi.
- Kai medis pradeda virsti, ištraukite grandininį pjūklą iš išpjovos, išjunkite variklį, padėkite grandininį pjūklą ir atsitraukite suplanuotu atsitraukimo keliu. Saugokitės krantančių viršutinių šakų ir žiūrėkite, kur žengiate.

Medžio nugėnėjimas

Medžio nugėnėjimas – tai šakų pašalinimas nuo nuversto medžio. Genėdami nenupjaukite didesnių apatinių šakų, kad jos laikytų kamieną virš žemės. Smulkias šakas nupjaukite vienu pjūviu, kaip parodyta 13 pav. Įtemptas šakas reikia pjauti iš apačios į viršų, kad jos neprispaustų grandininio pjūklo.

Rašto pjovimas

- Rašto pjovimas – tai rasto pjaustymas į atskirus gabalus. Svarbu įsitikinti, ar tvirtai stovite ir ar kūno svoris tolygiai paskirstytas ant abiejų kojų. Jei įmanoma, raštą reikia pakelti ir atremti šakomis, raštais arba trinkomis. Laikykitės paprastų nurodymų, kad būtų lengviau pjauti.
- Kai raštas atremtas per visą ilgį, kaip parodyta 14 pav.,
- jį reikia pjauti iš viršaus.
- Kai raštas atremtas tik viename gale, kaip parodyta 15 pav., padarykite įpjovą iš apačios, kurios gylis 1/3 skersmens.
- (underbucking). Tada darykite baigiamąjį pjūvį iš viršaus, kol pasieksite pirmąjį pjūvį.
- Kai raštas atremtas abiejuose galuose, kaip parodyta 16 pav., padarykite įpjovą iš viršaus, kurios gylis 1/3 skersmens. Tada darykite baigiamąjį pjūvį iš apačios (per likusį 2/3 skersmens), kol pasieksite pirmąjį pjūvį.
- Kai pjaunate nuožulnioje vietoje, visada stovėkite aukščiau, nei guli raštas, kaip parodyta 17 pav.
- Jei darydami pjūvį norite išlaikyti visišką kontrolę, pjūvio pabaigoje silpniau spauskite, tačiau tvirtai laikykitė grandininio pjūklo rankenas. Neleiskite grandinei paliesti žemės. Kai nupjaunate, prieš patraukdami grandininį pjūklą, palaukite, kol pjūklo grandinė sustos. Visada išjunkite variklį prieš eidami prie kito medžio.

TECHNINĖ PRIEŽIŪRA

PJOVIMO JUOSTOS IR GRANDINĖS ALYVOS ĮPYLIMAS

PASTABA: Įsigytas naujas grandininis pjūklas neužpildytas alyva. Prieš naudojant, bakelį būtina pripildyti alyvos. Dirbant grandinė automatiškai tepama grandinių alyva.

1. Padėkite grandininį pjūklą ant šono, kad bakelio dangtelis būtų nukreiptas aukštyn.
2. Nuvalykite dangtelį ir vietas aplink jį, tada nuimkite jį, sukdami prieš laikrodžio rodyklę (18 pav.).
3. Atsargiai pilkite specialią alyvą į bakelį tol, kol jos lygis pasiekia pildymo angos kakliuko apačią.
4. Nušluostykite alyvos perteklių ir užsukite dangtelį.

PASTABA: Pastačius į statmeną padėtį, alyva turi apsemti patikrinimo langelį. Kai patikrinimo langelyje nebematyti alyvos, nedelsdami nustokite naudoti įrankį ir papildykite alyvos.

VALYMAS

- Kaskart panaudoję, minkštu šepetėliu nuvalykite nešvarumus nuo grandinės ir pjovimo juostos.

Grandininio pjūklo paviršių valykite švaria šluoste, sudrėkinta mažos koncentracijos muilo tirpalu.

- Nuimkite šoninį gaubtą ir minkštu šepetėliu nuvalykite nešvarumus nuo pjovimo juostos, pjūklo grandinės, žvaigždutės ir šoninio gaubto.
- Keisdami pjūklo grandinę iš pjovimo juostos griovelio būtina išvalykite medienos skiedras, pjūvenas ir nešvarumus.

PJOVIMO JUOSTOS TECHNINĖ PRIEŽIŪRA

Kai ant pjovimo juostos pasirodo nudilimo požymiai, nuimkite ją nuo grandininio pjūklo variklio bloko, apverskite ir vėl uždėkite (19 pav.): tokiu būdu maksimaliai pratęsite jos eksploataavimo trukmę.

Kiekvieną dieną, kai dirbate su įrankiu, reikia nuvalyti pjovimo juostą ir patikrinti, ar ji nesusidėvėjusi ir nepažeista. Pjovimo juostos bėgelių šiaušimasis arba šerpetų atsiradimas juose yra normalūs juostos dėvėjimosi požymiai. Atsiradusius tokius nelygumus galima pašalinti su dilde. Pjovimo juosta, kurioje yra toliau nurodytų defektų, reikia pakeisti.

- Išdilimas pjovimo juostos bėgelyje, leidžiantis grandinei pakrypti.
- Įlenkta pjovimo juosta.
- Įtrūkę arba sulūžę bėgeliai.
- Išsiplėtę bėgeliai.

Be to, pjovimo juostos viršūnėje yra žvaigždutė (20-1 pav.). Žvaigždutę reikia kas savaitę sutepti tepimo švirškštu, kad prailgintumėte pjovimo juostos eksploataavimo trukmę (21 pav.). Kas savaitę tepimo švirškštu įleiskite grandinės alyvos į tepimo skylutę (20-2 pav.). Pasukite pjovimo juostą ir patikrinkite, ar tepimo skylutėse ir grandinės griovelyje nėra nešvarumų.

GRANDINĖS TECHNINĖ PRIEŽIŪRA

Šiam pjūklui naudokite nuo atatranks saugančias grandines. Tinkamai prižiūrint šią greitą pjovimo grandinę, ji sumažina atatranką.

Tinkamai išgaląsta grandinė leidžia be didelių pastangų ir labai silpnai spaudžiant pjauti medį. Niekada nenaudokite atšipusios arba pažeistos grandinės. Atšipę pjūklo grandinės pjaunantieji nareliai lemia didesnę fizinę įtampą, stipresnę vibraciją, prastus pjovimo rezultatus ir spartesnį dėvėjimąsi.

Kad grandinė pjautų sklandžiai ir greitai, ją reikia tinkamai prižiūrėti. Grandinę reikia pagalašti, kai medžio pjūvenos tampa smulkios ir panašios į miltelius, kai pjaunant reikia stipriai spausti grandinę į medį arba kai grandinė pjaudama krypsta į šoną. Atlikdami grandinės techninės priežiūros darbus, atsižvelkite į toliau nurodytus dalykus:

LT

- Netinkamas šoninės plokštelės galandimo kampas gali padidinti pavojų, kad įvyks stipri atatranka.
- Pjovimo gylio ribotuvo tarpelis. Per mažas padidina tikimybę, kad įvyks atatranka. Nepakankamai mažas sumažina pjovimo našumą.
- Jei pjaunamųjų narelių dantukai kliudė kietą daiktą, pvz., vinis arba akmenis, arba atbuko nuo purvo ir smėlio, esančio ant medienos, pasirūpinkite, kad grandinę pagalastų kvalifikuotas techninės priežiūros specialistas.

GABENIMAS IR LAIKYMAS

- Nepalikite laikymo vietoje ir neneškite veikiančio grandininio pjūklo. Prieš padėdami laikyti arba gabendami būtinai išimkite sudėtinę bateriją.
- Visada uždėkite užmovą ant pjovimo juostos prieš palikdami grandininį pjūklą laikymo vietoje arba gabendami. Būkite atsargūs, kad nepaliestumėte aštrių grandinės dantukų.
- Kruopščiai nuvalykite grandininį pjūklą prieš palikdami jį laikymo vietoje. Grandininį pjūklą laikykite patalpoje, kuri yra sausa, rakinama ir (ar) vaikams neprieinama.
- Laikykite toliau nuo esdinančių medžiagų, pvz., sodo chemikalų ir ledo tirpymo druskų.

Aplinkos apsauga



WEEE (elektrinės ir elektroninės įrangos atliekos)

Neišmeskite elektros įrangos, panaudotų baterijų ir įkroviklio kartu su buitinėmis atliekomis! Šias atliekas reikia pristatyti į jų surinkimo vietą ar įgaliotam perdirbėjui. Elektrinius įrankius reikia grąžinti į atitinkamą perdirbimo įmonę.

TRIKIČIŲ DIAGNOSTIKA

PROBLEMA	PRIEŽASTIS	SPRENDIMAS
Neįsijungia variklis.	<ul style="list-style-type: none"> ■ Sudėtinė baterija neprijungta prie grandininio pjūklo. ■ Nėra elektrinio kontakto tarp pjūklo ir baterijos. ■ Sudėtinė baterija visiškai išsikrovusi. ■ Sudėtinė baterija arba grandininis pjūklas pernelyg įkaitę. ■ Įjungtas grandinės stabdys. ■ Nešvarumai pjovimo juostos griovelyje. ■ Nešvarumai šoniniame gaubte. 	<ul style="list-style-type: none"> ■ Prijunkite sudėtinę bateriją prie grandininio pjūklo. ■ Išimkite sudėtinę bateriją, patikrinkite kontaktus ir vėl įstatykite sudėtinę bateriją. ■ Įkraukite sudėtinę bateriją. ■ Palaukite, kol sudėtinė baterija arba grandininis pjūklas atvės iki žemesnės nei 67 °C temperatūros. ■ Patraukite grandinės atatranks stabdymo rankeną priekinės rankenos link į darbinę padėtį. ■ Spauskite pjūklo grandinę į medį ir stumdykite pjūklą pirmyn bei atgal, kad pjuvenos pasišalintų. ■ Išimkite sudėtinę bateriją, nuimkite šoninį gaubtą ir išvalykite nešvarumus.
Grandinė sustoja darbo metu.	<ul style="list-style-type: none"> ■ Grandininio pjūklo perkrova. ■ Sudėtinė baterija arba grandininis pjūklas pernelyg įkaitę. ■ Pjūklo grandinė įstrigo medienoje. 	<ul style="list-style-type: none"> ■ Sumažinkite apkrovą. ■ Sumažinkite apkrovą. Palaukite, kol sudėtinė baterija arba grandininis pjūklas atvės iki žemesnės nei 67 °C temperatūros. ■ Atleiskite jungiklį, ištraukite grandinę ir pjovimo juosta iš medienos, tada vėl paleiskite grandininį pjūklą.
Variklis veikia, tačiau grandinė nesisuka.	<ul style="list-style-type: none"> ■ Grandinė nesusikabina su varančiąja žvaigždute. ■ Nešvarumai trukdo grandinės atatranks stabdymo rankenai laisvai judėti. ■ Galimas grandinės stabdžio gedimas. 	<ul style="list-style-type: none"> ■ Iš naujo uždėkite grandinę, išitinkinkite, ar grandinės varantieji nareliai visiškai uždėti ant žvaigždutės. ■ Nešvarumai trukdo grandinės atatranks stabdymo rankenai laisvai judėti. ■ Kreipkitės į EGO klientų aptarnavimo tarnybą dėl remonto.

LT

PROBLEMA	PRIEŽASTIS	SPRENDIMAS
Grandininis pjūklas netinkamai pjauna.	<ul style="list-style-type: none"> ■ Nepakankamai įtempta grandinė. ■ Atšipusi grandinė. ■ Grandinė uždėta atvirksčiai. ■ Sudilusi grandinė. ■ Sausa arba per daug įtempta grandinė. 	<ul style="list-style-type: none"> ■ Pradžioje atlaisvinkite (sukdami prieš laikrodžio rodyklę) bent per du apsisukimus greito grandinės įtempimo reguliavimo rankenėlę, o po to vėl grandinę tinkamai įtempkite. ■ Pagaląskite grandinės pjaunančiuosius narelius, vadovaudamiesi skyriumi „KAIP PAGALĄŠTI NARELIUS“. ■ Pagal skyriuje „PJOVIMO JUOSTOS IR GRANDINĖS UŽDĖJIMAS IR KEITIMAS“ pateiktus nurodymus vėl uždėkite pjūklą grandinę. ■ Pagal skyriuje „PJOVIMO JUOSTOS IR GRANDINĖS UŽDĖJIMAS IR KEITIMAS“ pateiktus nurodymus pakeiskite grandinę. ■ Patikrinkite alyvos lygį bakelyje. Jei reikia, pripildykite alyvos bakelį.
Grandinė nukrenta nuo pjovimo juostos.	<ul style="list-style-type: none"> ■ Nepakankamai įtempta grandinė. ■ Grandinė nesusikabina su varančiaja žvaigždute. 	<ul style="list-style-type: none"> ■ Pradžioje atlaisvinkite (sukdami prieš laikrodžio rodyklę) bent per du apsisukimus greito grandinės įtempimo reguliavimo rankenėlę, o po to vėl grandinę tinkamai įtempkite. ■ Pagal skyriuje „PJOVIMO JUOSTOS IR GRANDINĖS UŽDĖJIMAS IR KEITIMAS“ pateiktus nurodymus vėl uždėkite pjūklą grandinę taip, kad grandinės varantieji nareliai visiškai užsimautų ant žvaigždutės.
Pjovimo juosta ir grandinė įkaista bei rūksta.	<ul style="list-style-type: none"> ■ Grandinės alyvos bakelis yra tuščias. ■ Nešvarumai pjovimo juostos griovelyje. 	<ul style="list-style-type: none"> ■ Įpilkite pjovimo juostos ir grandinės alyvos. ■ Išvalykite nešvarumus iš griovelio.

LT

GARANTIJA

EGO GARANTINĖ POLITIKA

Norėdami sužinoti visas EGO garantinės politikos sąlygas, apsilankykite interneto svetainėje egopowerplus.com.

IZLASIET VISUS NORĀDĪJUMUS!



IZLASIET LIETOTĀJA ROKASGRĀMATU

⚠ Citi riski! Personām, kuras lieto elektroniskas ierīces, piemēram, elektrokardiostimulatorus, pirms šīs ierīces lietošanas jākonsultējas ar savu ārstu. Elektriskā aprīkojuma darbība sirds elektrokardiostimulatora tuvumā var radīt stimulatora darbības traucējumus vai kļūmes.

DROŠĪBAS APZĪMĒJUMS

Drošības apzīmējumi ir paredzēti, lai pievērstu jūsu uzmanību iespējamam apdraudējumam. Pievērsiet uzmanību drošības apzīmējumiem un to skaidrojumiem, un izprotiet tos. Brīdinājumu apzīmējumi paši par sevi

nenovērš apdraudējumu. Tajos ietvertie norādījumi un brīdinājumi neaizstāj atbilstošu negadījumu novēršanas pasākumu īstenošanu.

⚠ BRĪDINĀJUMS! Pirms šī instrumenta lietošanas izlasiet un izprotiet visus šajā lietotāja rokasgrāmatā iekļautos drošības norādījumus, tostarp visus drošības brīdinājuma apzīmējumus, piemēram, „**BĪSTAMI!**”, „**BRĪDINĀJUMS!**” un „**UZMANĪBU!**”. Visu turpmāk uzskaitīto norādījumu neievērošana var izraisīt elektriskās strāvas triecienu, aizdegšanos un/vai smagus miesas bojājumus.

SIMBOLA NOZĪME

Šajā lapaspusē ir parādīti un aprakstīti drošības apzīmējumi, kas var būt norādīti uz šī izstrādājuma. Pirms iekārtas montāžas un lietošanas izlasiet, izprotiet un ievērojiet visus uz iekārtas sniegtos norādījumus.

DROŠĪBAS APZĪMĒJUMI



Drošības brīdinājums



Lietot acu aizsarglīdzekļus



Lietot galvas aizsarglīdzekļus



Vadotnes sliede



Vadotnes sliedes gala atsitiens



Sargāt no lietus.



Elektrisko izstrādājumu atkritumus nedrīkst izmest kopā ar sadzīves atkritumiem. Nogādājiet uz pilnvarotu pārstrādes punktu.

V Volti



Līdzstrāva



Lai mazinātu traumu rašanās bīstamību, pirms šī izstrādājuma lietošanas tā lietotājam jāizlasa un jāizprot lietošanas rokasgrāmata.



Lietojiet dzirdes aizsarglīdzekļus



Lietojiet aizsargcimdus



Neturiet ieslēgtu ķēdes zāģi ar vienu roku



Vienmēr turiet ķēdes zāģi ar abām rokām



Uzmanieties no ķēdes zāģa radīta atsiena un saskares ar sliedes galu



Troksnis


min⁻¹ Apgriezieni minūtē



CE

LV

SPECIFIKĀCIJAS

Spriegums	56 V 	
Ieteicamā darba temperatūra:	-15°C-40°C	
Ieteicamā uzglabāšanas temperatūra:	-20°C-70°C	
Optimālā uzlādes temperatūra	5 °C-40 °C	
Ķēdes ātrums	20 m/s	
Ķēdes solis	9,5 mm	
Ķēdes mērierīce	1,3 mm	
Zāga ķēdes veids	91PX062X 90PX056X 90PX052X	
Vadotnes sliedes veids	180SDEA041 164MLEA041 144MLEA041	
Ķēdes eļļas tvertnes ietilpība	200 ml	
Svars (bez akumulatora, ķēdes pārvalka)	4,4kg	
Izmērītais skaņas intensitātes līmenis L_{WA}	103,53 dB(A) K=1,17 dB(A)	
Trokšņa spiediena līmenis pie lietotāja auss L_{PA}	92,53 dB(A) K=3,0 dB(A)	
Garantētais skaņas intensitātes līmenis L_{WA} (saskaņā ar 2000/14/EK)	105 dB(A)	
Vibrācijas a_n	Priekšējais rokturis	5,158 m/s ² K=1,5 m/s ²
	Aizmugurējais rokturis	5,537 m/s ² K=1,5 m/s ²

LV

- Norādītā vibrāciju kopējā vērtība ir izmērīta saskaņā ar standarta pārbaudes metodi un var tikt izmantota, lai salīdzinātu vairākus instrumentus.
- Deklarēto vibrāciju emisijas vērtību var arī lietot iepriekšējai vibrāciju iedarbības novērtēšanai.

PIEZĪME! Vibrāciju emisijas faktiskajā elektroinstrumenta darbināšanas laikā var atšķirties no norādītās vērtības. Lai pasargātu operatoru, lietotājam jāvalkā cimdi un dzirdes aizsarglīdzekļi atbilstoši patiesajiem darba apstākļiem.

APRAKSTS

PĀRZINIET SAVU ĶĒDES ZĀĢI (1 attēls)

1. Eļļošanas atvere
2. Vadotnes sliede

3. Zāga ķēde
4. Eļļas tvertnes vāciņš
5. Ķēdes atsitienu bremzes rokturis
6. Priekšējais rokturis
7. Akumulatora atbrīvošanas poga
8. Bloķēšanas poga
9. Ātruma pārslēgšanas slēdzis
10. Elektriskie kontakti
11. Izsviešanas mehānisms
12. Eļļas līmeņa pārbaudes lodziņš
13. Aizmugurējais rokturis
14. Poga
15. LED priekšējās spuldzītes
16. Zāgēšanas balsteņi
17. Ātrās ķēdes sprieguma regulēšanas poga
18. Sānu pārsegs
19. Ķēdes pārvalks

KOMPLEKTĀCIJA

DAĻAS NOSAUKUMS	SKAITS
Ķēdes zāga instrumentgalva	1
Zāga ķēde	1
Vadotnes sliede	1
Ķēdes pārvalks	1
Lietotāja rokasgrāmata	1

MONTĀŽA

SLIEDES UN ĶĒDES MONTĀŽA/MAIŅA

⚠ BRĪDINĀJUMS! Pirms montāžas noregulējiet ķēdes bremzes rokturi bremzēšanas stāvoklī ķēdes apturēšanai atsitienu gadījumā

1. Novietojiet ķēdes zāga instrumentgalvu uz sāniem tā, lai sānu pārsegs būtu vērsts uz augšu (2. attēls).
2. Noņemiet sānu pārsegu, pagriežot ātrās ķēdes sprieguma regulēšanas pogu pretēji pulksteņrādītāja kustības virzienam
3. Novietojiet jauno zāga ķēdi cilpā uz līdzenas virsmas un iztaisnojiet visus mezglus.
4. Ievietojiet ķēdes piedziņas posmus vadotnes sliedes gropē un novietojiet ķēdi tā, lai cilpa atrastos vadotnes sliedes aizmugurē (3. attēls).

3-1	Ķēdes piedziņas posmi
3-2	Vadotnes sliedes rievā

5. Turiet ķēdi tās vietā uz vadotnes sliedes un uzlieciet cilpu apkārt instrumentgalvas ķēžratam (4. attēls).

PIEZĪME! Zāga ķēdē un instrumentgalvā ir iegravētas nelielas virzienu norādošas bultiņas. Uztādot zāga ķēdi uz ķēžrata, pārliecinieties, ka bultiņas uz zāga ķēdes ir vērstas tajā pašā virzienā, kur bultiņa uz instrumentgalvas.

6. Uzlieciet atpakaļ sānu pārsegu un līdz galam aizgrieziet ātrās ķēdes spriegojuma regulēšanas pogu. Ekscentriskais pāmesums sānu pārsegā ir izveidots tā, lai ķēdi nevarētu pārāk stipri nospiēgt.
7. Noregulējiet ķēdes atsitienu bremzes rokturi darba stāvoklī un pēc tam pagrieziet ķēdi ar roku, lai pārbaudītu, vai ķēde ir pareizi salikta un griežas bez saķeršanās. Ja tas tā nav, vēlreiz samontējiet ķēdi un sliedi.

PIEZĪME! Vadotnes slidei ir ar skrūvi piestiprināta regulēšanas plāksne. Ja ir jānomaina vadotnes sliede, demontējiet vadotnes slidei regulēšanas plāksni un uzstādiet jaunajai vadotnes slidei, kā parādīts 5. attēlā.

EKSPLUATĀCIJA

PIELIETOJUMS

Šo zāģi varat izmantot parastām koku gāšanas, atzarošanas, zaru apzāģēšanas, kā arī blūku un koku sazāģēšanas darbībām.

PIEZĪME! Instrumentu drīkst izmantot tikai aprakstītajam mērķim. Izmantošana jebkādā citā veidā ir uzskatāma par neatbilstošu.

AKUMULATORU BLOKA IEVIETOŠANA/IZNEMŠANA Pirms pirmās lietošanas reizes akumulators ir pilnībā jāuzlādē.

Izmantojiet kopā tikai ar zemāk norādītajiem EGO akumulatoru blokiem un lādētājiem.

AKUMULATORS	LĀDĒTĀJS
BA1120E, BA2240E, BA1400, BA2800, BA3360, BA4200, BA1400T, BA2800T, BA4200T, BA5600T	CH2100E, CH5500E

Ievietošana

Salāgojiet akumulatora izciļņus ar stiprinājuma rievām un iespiediet akumulatoru bloku, līdz ir dzirdama „klikšķa” skaņa (6 attēls).

Izņemšana

Nospiediet akumulatora atbrīvošanas pogu un izņemiet akumulatoru bloku (7. attēls).

LED PRIEKŠĒJĀS SPULDZES

LED priekšējās spuldzes (1-15. attēls) atrodas ķēdes zāga instrumentgalvas priekšpusē. Šī funkcija nodrošina papildu apgaismojumu, kas uzlabo redzamību, un ir noregulējama 2 spilgtuma līmeņos.

Lai ieslēgtu spuldzes, vienreiz nospiediet LED pogu (1-14. attēls). Spuldzes ķēdes zāga priekšpusē spīd spilgtā gaismā. Lai tās spīdētu vēl spilgtāk, nospiediet LED pogu otru reizi.

Lai izslēgtu spuldzes, nospiediet LED pogu trešo reizi.

ĶĒDES ZĀGA IESLĒGŠANA/IZSLĒGŠANA Pirms ķēdes zāga iedarbināšanas

PIEZĪME! Pirms ķēdes zāga iedarbināšanas pārbaudiet ātrās ķēdes spriegojuma regulēšanas pogu, eļļas līmeni, zāģa zobu asumu un atsitienu bremzes roktura darbību. Tāpat ievērojiet pareizu stāju un ieturiet atbilstošu attālumu no zemes.

Ieslēgšana

1. Pavelciet ķēdes atsitienu bremzes rokturi priekšējā roktura virzienā darba stāvoklī.
2. Stingri satveriet priekšējo un aizmugurējo rokturi, izmantojot abas rokas.
3. Lai iedarbinātu zāģi, vispirms nospiediet un pieturiet bloķēšanas pogu, pēc tam nospiediet ātruma pārslēgšanas slēdzi. Piespiežot vairāk ātruma pārslēgšanas slēdzi, palielinās ķēdes ātrums.
4. Atlaižiet atbloķēšanas pogu un turpiniet spiest ātruma pārslēgšanas slēdzi, lai zāģis darbotos nepārtraukti.

LV

Pareizs rokturu satvēriens (8. attēls)

- Lai nodrošinātu maksimālu satvērienu un aizsardzību, valkājiet neslīdošus cimdus.
- Zāģim atrodoties uz stabilas, līdzenes virsmas, stingri satveriet to ar abām rokām.
- Vienmēr satveriet priekšējo rokturi ar kreiso roku un aizmugurējo ar labo roku.
- Pirkstiem jāaptver rokturis tā, lai īkšķis atrastos zem priekšējā roktura.

⚠ BRĪDINĀJUMS! Nekad neturiet zāģi satvērienā, kur vadošā ir kreisā roka (apgrieztais satvēriens), kā arī nestāviet tā, lai kāda jūsu ķermeņa daļa vai roka varētu atrasties virs ķēdes līnijas (9. attēls).

Pareiza stāja zāģēšanas laikā (10. attēls)

- Abām kājām jāatrodas stabili uz zemes, svaram esot vienlīdzīgi izdalītam starp tām.
- Kreisajai rokai jābūt taisnai, elkonim nofiksētam. Tas palīdz izturēt atslētienu radītās ietekmes spēku.
- Jūsu ķermeņiem vienmēr jāatrodas ķēdes līnijas kreisajā pusē.

ZĀĢĒŠANA

Parastā zāģēšana

- Lietotājam, kas pirmo reizi sāk lietot zāģi, balķu zāģēšanai ieteicams izmantot steķi vai citu ierīci, uz kuras novietot un zāģēt kokmateriālu.
- Sāciet zāģēt, viegli pret koku piespiežot vadotnes sliedi. Piespiediet tikai nedaudz, lai zāģis varētu zāģēt pats.
- Saglabājiet vienmērīgu ātrumu visu zāģēšanas laiku, nedaudz atlaižot tieši pirms zāģēšanas beigām.

▲ BRĪDINĀJUMS! Kad zāģēšanas laikā zāģa ķēde tiek apturēta saspiešanas dēļ, atlaidiet palaišanas mehānisma slēdzi, noņemiet zāģa ķēdi un vadotnes sliedi no koka un pēc tam no jauna ieslēdziet zāģi.

▲ BRĪDINĀJUMS! Neraujiet zāģa ķēdi ar rokām, kad tā ir iekļērušās zāģskaidās.

▲ BRĪDINĀJUMS! Nekad nedarbiniet ķēdes zāģi, ja tas ir saskarē ar roku. Pirms pietuviniet zāģi kokam ļaujiet tam sasniegt pilnu ātrumu.

KOKA GĀŠANA

- Kad sagarumošanas un koka gāšanas darbus vienlaicīgi veic divi vai vairāk cilvēki, koka gāšanas darbi un sagarumošanas darbi jāveic divās dažādās vietās, kas viena no otras atrodas tādā attālumā, kas vienlīdzīgs divkārsam gāzamā koka garumam. Kokus nedrīkst gāzt veidā, kas apdraud citus cilvēkus, var pārraut elektropārvades līniju vai radīt tpašuma bojājumus. Ja tomēr koks saskaras ar elektropārvades līniju, nekavējoties par to jāpaziņo atbildīgajiem dienestiem.
- Ķēdes zāģa operatoram jāstāv kalnup vērstajā koka pusē, jo koks pēc nogāšanas visticamāk rīpos vai slīdēs lejup pa kalnu.
- Pirms zāģēšanas jāizplāno un jāattīra bēgšanas ceļš. Atkāpšanās ceļam jāiet uz aizmuguri un diagonāli uz sagaidāmās koka krišanas līnijas aizmuguri, kā parādīts 11. attēlā.

11-1	Gāšanas virziens
------	------------------

- Pirms koka gāšanas darbu uzsākšanas ņemiet

vērā dabisko koka liekšanās virzienu, lielāko zaru novietojumu un vēja virzienu, lai noteiktu koka krišanas virzienu.

- Notīriet no koka netīrumus, noņemiet nokarājošos mizu, naglas, skavas un stieples.

Robojošs aizzāģējums

Perpendikulāri koka krišanas virzienam iezāģējiet robu līdz 1/3 no koka diametra, kā parādīts 12. attēlā. Vispirms veiciet apakšējo horizontālo robojošo iezāģējumu. Tas palīdzēs novērst zāģa ķēdes vai vadotnes slīdes iespiešanu otrā roba iezāģēšanas laikā.

Gāšanas iezāģējums pretējā koka pusē

- Veiciet gāšanas iezāģējumu pretējā koka pusē vismaz 50 mm virs horizontālā robojošā iezāģējuma, kā parādīts 12-3. attēlā.

12-1	Krišanas virziens	12-3	Gāšanas iezāģējums pretējā koka pusē
12-2	Iedobums	12-4	Enģe

Gāšanas iezāģējumu pretējā koka pusē saglabājiet paralēlu horizontālajam robojošajam iezāģējumam. Gāšanas iezāģējumu pretējā koka pusē veiciet tik dziļi, lai atlikušais koka daudzums varētu tikt izmantots kā enģe. Koka enģe novērs koka sagriešanas un krišanu nepareizajā virzienā. Neizzāģējiet cauri enģei.

- Tiklīdz gāšanas darbības tiek veiktas tuvu pie enģes, kokam būtu jāsāk krist. Ja pastāv kaut mazākā iespēja, ka koks varētu nekrist paredzētajā virzienā vai tas varētu sašūpoties uz aizmuguri un iespiest zāģa ķēdi, pārtrauciet zāģēšanu pirms gāšanas iezāģējums otrā koka pusē ir pabeigts un izmantojiet koka, plastmasa vai alumīnija ķīli, lai atvērtu iezāģējumu un nogāztu koku vēlamajā krišanas virzienā.
- Kad koks sāk krist, izņemiet ķēdes zāģi no iezāģētās līnijas, apturiet motoru, nolieciet zāģi uz zemes un izmantojiet noteikto atkāpšanās plānu. Uzmanieties no krītošajiem zariem un skatieties, kur liekat kājas.

Koka atzarošana

Atzarošana ir zaru nozāģēšana nokritušam kokam. Veicot atzarošanu, atstājiat lielākos apakšējos zarus, lai tie noturētu koku virs zemes. Nozāģējiet mazākos zarus ar vienu piegājieni, kā parādīts 13. attēlā. Saliekte zari jāzāģē no apakšas uz augšu, lai izvairītos no ķēdes zāģa iespiešanas.

Balķa sagarināšana

- Sagarināšana ir dēļa sazāģēšana garumos. Pirms sagarināšanas darbu veikšanas, svarīgi ir pārliecināties,

ka stāvat stabili un jūsu svars ir vienlīdzīgi izdalīts uz abām kājām. Kad iespējams, blukis jāpaceļ uz augšu un jāatbalsta, izmantojot zarus, dēļus vai klučus. Ievērojiet vienkāršos virzienus vieglai zāgēšanai.

- Ja blukis tiek balstīts visā tā garumā, kā parādīts 14. attēlā, tas jāzāgē no augšpusē (gareniskā garumošana).
- Ja tiek balstīts tikai viens bluka gals, kā parādīts 15. attēlā, no apakšpusē veiciet iegriezumu līdz 1/3 no diametra
- (apakšējā garumošana). Pēc tam pabeidziet griezumu, veicot gareniskās garumošanas kustību līdz pirmajam iezāgējumam.
- Ja tiek balstīti abi bluka gali, kā parādīts 16. attēlā, no augšpusē veiciet griezumu līdz 1/3 no diametra (augšējā garumošana). Pēc tam pabeidziet griezumu, veicot apakšējo garumošanu atlikušajās 2/3 līdz pirmajai griezuma vietai.
- Veicot garumošanu slīpā, vienmēr stāviet tajā bluka pusē, kas atrodas kalnup, kā parādīts 17. attēlā.
- Zāgējot cauri, lai saglabātu pilnīgu kontroli, īsi pirms zāgēšanas darbības pabeigšanas samaziniet zāgēšanas spiedienu, neatslābinot ķēdes zāga rokturu satvērienu. Neļaujiet ķēdei saskarties ar zemi. Kad pabeidzat zāgēšanu, pagaidiet, lai ķēde apstājas, pirms pārvietojat zāgi citur. Pārejot no viena koka uz citu, vienmēr apturiet motoru.

APKOPE

SLIEDĒS UN ĶĒDES SMĒRVIELAS UZPILDĪŠANA

PIEZĪME! Iegādes brīdī ķēdes zāgī nav iepildīta eļļa. Pirms lietošanas tvertnē noteikti ir jāiepilda eļļa. Darbības laikā ķēde tiek automātiski ieeļļota ar ķēdes eļļu.

1. Novietojiet ķēdes zāgi uz sāniem, eļļas tvertnes vāciņam esot vērstam uz priekšpusi.
2. Notīriet vāciņu un visu vietu ap to, pēc tam pagrieziet vāciņu pretēji pulksteņrādītāja kustības virzienam, lai noņemtu (18. attēls).
3. Uzmanīgi iepildiet paši paredzēto eļļu tvertnē līdz tā sasniedz uzpildes kakliņa apakšu.
4. Noslaukiet visu notecējušo eļļu un uzlieciet atpakaļ vāciņu.

PIEZĪME! Zāgim esot stāvošā pozīcijā, eļļai būtu jāaizpilda visa pārbaudes atvere. Kad pārbaudes atverē vairs nav redzama eļļa, pārtrauciet izmantot zāgi un nekavējoties papildiniet eļļu.

TĪRĪŠANA

- Pēc katras lietošanas reizes ar mikstu suku izfriet no

ķēdes un vadotnes sliedes grūzus. Noslaukiet ķēdes zāga virsmu ar tīru drānu, kas samitrināta ar maigu ziepju šķīdumu.

- Noņemiet sānu vāku un pēc tam ar mikstu suku notīriet grūzus no vadotnes sliedes, zāga ķēdes, ķēzrāta un sānu pārsega.
- Vienmēr, kad maināt zāga ķēdi, izfriet koka skaidas, zāgskaidas un netīrumus no vadotnes sliedes rievās.

VADOTNES SLIEDĒS APKOPE

Kad vadotnes sliedei rodas nodiluma pazīmes, demontējiet to no ķēdes zāga instrumentgalvas, apgrieziet otrādi un uzlieciet atpakaļ (19. attēls); šādā gadījumā ķēde nodils vienmērīgi, nodrošinot maksimālu sliedes kalpošanas laiku.

Katrā lietošanas dienā sliede jānotīra un jāpārbauda, vai nav redzamas nodiluma pazīmes un bojājumi. Sliedes līniju atstarpošanās un atskabargu veidošanās ir normāls sliedes nodilšanas process. Šādas nepilnības jānotīdina ar vīli tiklīdz tās tiek konstatētas. Sliedi, kurai ir kāds no šiem bojājumiem, jānomaina:

- nodilums sliedes līnijās, kuras ļauj uzlikt ķēdi sāniski;
- saliekta vadotnes sliede;
- ieplaisājušas vai saplīsušas sliedes līnijas;
- izpletušās sliedes līnijas.

Turklāt vadotnes sliedes galā ir ķēzrats (20-1 attēls). Šis ķēzrats katru nedēļu jāieeļļo ar eļļas šļirci, lai pagarinātu vadotnes sliedes kalpošanas ilgumu (21. attēls). Izmantojot eļļas šļirci, iknedēļu veiciet ieeļļošanu ar ķēdes eļļu caur eļļošanas atveri (20-2 attēls). Pagrieziet vadotnes sliedi un pārliecinieties, vai eļļošanas atverēs un ķēdes rievā nav grūžu.

ĶĒDES APKOPE

Šim zāgim lietotiet tikai ķēdes ar zemu atsitienu. Pareizi uzturot un apkopjot, šī ātri zāgējošā ķēde nodrošinās atsitienu ietekmes samazināšanu.

Pareizi uzasināta zāga ķēde vienkārši spēj iziet cauri kokam, pat piemērojot pavisam maz spēku. Nekad nelietojiet trulu vai bojātu ķēdes zāgi. Truls zāga ķēdes griežs rada papildu fizisko slodzi, palielina vibrācijas, sniedz neapmierinošus zāgēšanas rezultātus un palielina nodilumu.

Lai zāgēšana būtu gluda un ātra, ķēdi nepieciešams pareizi uzturēt un apkopt. Ja koka skaidas ir mazas un pūderveida, zāgēšanas laikā ķēdi nepieciešams ar spēku spiest cauri kokam vai zāgēt tikai viena ķēdes puse, ķēdi nepieciešams uzasināt. Veicot ķēdes apkopi, ņemiet vērā šādus aspektus.

- Nepareizs sānu plāksnes vilēšanas leņķis var palielināt smaga atsitienu risku.

LV

- Dziļummēra klirens. Pārāk zems novietojums palielina atsitienu iespējamību. Nepietiekami zems novietojums samazina zāģēšanas stabilitāti.
- Ja griezēja zobi ir sadūrušies ar citiem priekšmetiem, piemēram, naglām vai akmeņiem, vai tos nobērzuši uz koka esošie dubļi vai smiltis, lūdziet kvalificētam servisa tehnikam uzasināt ķēdi.

TRANSPORTĒŠANA UN UZGLABĀŠANA

- Neuzglabājiet vai netransportējiet ķēdes zāģi, kamēr tas darbojas. Vienmēr pirms novietošanas glabāšanā vai transportēšanas izņemiet akumulatoru.
- Vienmēr pirms ķēdes zāģa novietošanas glabāšanā vai transportēšanas uzlieciet vadotnes sliedi un ķēdei vadotnes sliedes pārvalku. Rīkojieties uzmanīgi, lai izvairītos no asajiem ķēdes zobiem.
- Pirms uzglabāšanas rūpīgi notīriet ķēdes zāģi. Uzglabājiet ķēdes zāģi iekštelpās, sausā un aizslēgtā vai bērniem nepieejamā vietā.
- Sargājiet no kodīgām vielām, piemēram, dārzā lietotajām ķimikālijām un atledošanas sāls.

Apkārtējās vides aizsardzība



Direktīva par elektrisko un elektronisko iekārtu atkritumiem (EElA)

Neutilizējiet elektrisko aprīkojumu, izlietoto akumulatoru un lādētāju sadzīves atkritumos! Nogādājiet šo produktu uz pilnvarotu pārstrādes punktu un sagatavojiet atkritumu šķirošanai. Elektriskos instrumentus jānogādā videi nekaitīgā pārstrādes rūpnīcā.

KLŪDU NOVĒRŠANA

PROBLĒMA	CĒLONIS	RISINĀJUMS
Nedarbojas motors.	<ul style="list-style-type: none"> ■ Ķēdes zāģī nav ievietots akumulatoru bloks. ■ Starp zāģi un akumulatoru nav elektriskā savienojuma. ■ Akumulatoru bloks ir izlādējies. ■ Akumulators vai ķēdes zāģis ir pārāk karsts. ■ Ieslēgta ķēdes bremze. ■ Gruži sliedes rievā. ■ Gruži sānu pārsegā. 	<ul style="list-style-type: none"> ■ Ievietojiet ķēdes zāģī akumulatoru. ■ Izņemiet akumulatoru, pārbaudiet kontaktus un ievietojiet atpakal. ■ Uzlādējiet akumulatoru bloku. ■ Ļaujiet akumulatoram vai ķēdes zāģim atdzist līdz temperatūra nokrītas zemāk par 67 °C. ■ Atvelciet ķēdes atsitienu bremzes rokturi priekšējā roktura virzienā darba stāvoklī. ■ Piespiediet zāģa ķēdi pret koku, kustiniet ķēdes zāģi uz priekšu un aizmuguri, lai atbrīvotos no gružiem. ■ Izņemiet akumulatoru, pēc tam noņemiet sānu pārsegu un izfīriet gružus.
Zāģēšanas laikā laikā ķēdes zāģis pārstāj darboties.	<ul style="list-style-type: none"> ■ Ķēdes zāģa pārslodze. ■ Akumulators vai ķēdes zāģis ir pārāk karsts. ■ Kokā iestrēgusi zāģa ķēde. 	<ul style="list-style-type: none"> ■ Samaziniet slodzi. ■ Samaziniet slodzi. Ļaujiet akumulatoram vai ķēdes zāģim atdzist līdz temperatūra nokrītas zemāk par 67 °C. ■ Atlaidiet palaišanas slēdzi, noņemiet zāģa ķēdi un vadotnes sliedi no koka un pēc tam no jauna ieslēdziet zāģi.
Motors darbojas, bet ķēde negriežas.	<ul style="list-style-type: none"> ■ Ķēde neiedarbina piedziņas ķēzratu. ■ Gruži kavē pilnīgu ķēdes atsitienu bremzes roktura kustību. ■ Iespējami ķēdes bremzes darbības traucējumi. 	<ul style="list-style-type: none"> ■ Uztādiet atpakal ķēdi, pārliecinoties, ka ķēdes piedziņas posmi pilnībā atrodas uz ķēzrata. ■ Gruži kavē pilnīgu ķēdes atsitienu bremzes roktura kustību. ■ Ja nepieciešams veikt labošanas darbus, sazinieties ar EGO klientu apkalpošanas nodaļu.

LV

PROBLĒMA	CĒLONIS	RISINĀJUMS
<p>Ķēdes zāģis nezāģē pareizi.</p>	<ul style="list-style-type: none"> ■ Nepietiekams ķēdes spriegums. ■ Trula ķēde. ■ Ķēde uzstādīta uz otru pusi. ■ Nodilusi ķēde. ■ Sausa vai pārāk izstiepta ķēde. 	<ul style="list-style-type: none"> ■ Vispirms atskrūvējiet ātrās ķēdes spriegojuma regulēšanas pogu, pagriežot vismaz par diviem pagriezieniem pretēji pulksteņrādītāja kustības virzienam, un pēc tam pievelciet līdz galam pulksteņrādītāja kustības virzienā, līdz ķēde ir pareizi nospriegota. ■ Uzasiniet ķēdes griezējus, ievērojiet nodaļā „GRIEZĒJU ASINĀŠANA” sniegtās norādes. ■ Uzstādiel zāģa ķēdi, ievērojot nodaļā „SLIEDES UN ĶĒDES UZSTĀDĪŠANA/ NOMAĪŅA” sniegtās norādes. ■ Nomainiet zāģa ķēdi, ievērojot nodaļā „SLIEDES UN ĶĒDES UZSTĀDĪŠANA/ NOMAĪŅA” sniegtās norādes. ■ Pārbaudiet tvertnē eļļas līmeni. Ja nepieciešams, uzpildiet tvertnē eļļu.
<p>No vadotnes sliedes nokrīt ķēde.</p>	<ul style="list-style-type: none"> ■ Nepietiekams ķēdes spriegums. ■ Ķēde neiedarbina piedziņas ķēžratu. 	<ul style="list-style-type: none"> ■ Vispirms atskrūvējiet ātrās ķēdes spriegojuma regulēšanas pogu, pagriežot vismaz par diviem pagriezieniem pretēji pulksteņrādītāja kustības virzienam, un pēc tam pievelciet līdz galam pulksteņrādītāja kustības virzienā, līdz ķēde ir pareizi nospriegota. ■ Uzstādiel ķēdi, ievērojot nodaļā „SLIEDES UN ĶĒDES UZSTĀDĪŠANA/NOMAĪŅA” sniegtās norādes, pārliedcinoties, ka ķēdes piedziņas posmi pilnībā atrodas uz ķēžrata.
<p>Sliede un ķēde ir karstas un dūmo.</p>	<ul style="list-style-type: none"> ■ Ķēdes eļļas tvertne ir tukša. ■ Gruži vadotnes sliedes rievā. 	<ul style="list-style-type: none"> ■ Uzpildiet sliedes un ķēdes smērvielu. ■ Izīriet gruzus no rievas.

LV

GARANTĪJA

EGO GARANTĪJAS POLITIKA

Lūdzu, apmeklējiet tīmekļa vietni egopowerplus.com, kur pieejama pilna EGO garantijas politikas noteikumu un nosacījumu versija.

ΔΙΑΒΑΣΤΕ ΟΛΕΣ ΤΙΣ ΟΔΗΓΙΕΣ!



ΔΙΑΒΑΣΤΕ ΤΟ ΕΓΧΕΙΡΙΔΙΟ ΧΡΗΣΗΣ

⚠ Υπολειπόμενοι κίνδυνοι! Άνθρωποι που φέρουν ηλεκτρονικές συσκευές όπως βηματοδότες πρέπει να συμβουλευόνται τους γιατρούς τους, πριν τη χρήση αυτού του προϊόντος. Η λειτουργία ηλεκτρολογικού εξοπλισμού κοντά σε βηματοδότη μπορεί να προκαλέσει παρεμβολές ή βλάβη στο βηματοδότη.

ΣΥΜΒΟΛΟ ΑΣΦΑΛΕΙΑΣ

Ο σκοπός των συμβόλων ασφαλείας είναι να σας επιστήσουν την προσοχή σε ενδεχόμενους κινδύνους. Προσέξτε και κατανοήστε τα σύμβολα ασφαλείας και τις επεξηγήσεις που τα συνοδεύουν. Τα σύμβολα προειδοποίησης από μόνα τους δεν εξαλείφουν κανέναν

κίνδυνο. Οι οδηγίες και οι προειδοποιήσεις που παρέχουν δεν υποκαθιστούν τα κατάλληλα μέτρα πρόληψης ατυχημάτων.

⚠ ΠΡΟΕΙΔΟΠΟΙΗΣΗ: Βεβαιωθείτε ότι έχετε

διαβάσει και κατανοήσει όλες τις οδηγίες ασφαλείας στο παρόν εγχειρίδιο χειριστή, συμπεριλαμβανομένων όλων των συμβόλων ασφαλείας όπως «**ΚΙΝΔΥΝΟΣ**», «**ΠΡΟΕΙΔΟΠΟΙΗΣΗ**» και «**ΠΡΟΣΟΧΗ**», προτού να χρησιμοποιήσετε αυτό το εργαλείο. Η μη τήρηση όλων των παρακάτω οδηγιών μπορεί να οδηγήσει σε ηλεκτροπληξία, πυρκαγιά και/ή σοβαρό τραυματισμό.

ΕΠΕΞΗΓΗΣΗ ΣΥΜΒΟΛΩΝ

Αυτή η σελίδα απεικονίζει και περιγράφει τα σύμβολα ασφαλείας που μπορεί να υπάρχουν επάνω στο προϊόν. Διαβάστε, κατανοείτε και τηρείτε όλες τις οδηγίες επάνω στη μηχανή, προτού επιχειρήσετε να τη συναρμολογήσετε ή να τη χρησιμοποιήσετε.

ΣΥΜΒΟΛΑ ΑΣΦΑΛΕΙΑΣ



Προειδοποίηση ασφαλείας



Φοράτε προστατευτικά γυαλιά



Φοράτε προστασία για το κεφάλι



Οδηγητική μπάρα



Λάκτισμα ακμής οδηγητικής μπάρας



Να μην εκτίθεται σε βροχή.



Τα απόβλητα ηλεκτρικών προϊόντων δεν πρέπει να απορρίπτονται μαζί με τα οικιακά απορρίμματα. Παραδώστε τα σε εξουσιοδοτημένη μονάδα ανακύκλωσης.

V Volt



Συνεχές ρεύμα



Προκειμένου να μειωθεί ο κίνδυνος τραυματισμού, ο χρήστης πρέπει να διαβάσει και να κατανοήσει το εγχειρίδιο χρήσης προτού να χρησιμοποιήσει αυτό το προϊόν.



Φοράτε προστατευτικά ακοής



Φοράτε προστατευτικά γάντια



Μη χρησιμοποιείτε το αλυσσπρίονο μόνο με το ένα χέρι



Χρησιμοποιείτε πάντοτε το αλυσσπρίονο με τα δυο χέρια



Λαμβάνετε υπόψη το οπισθολάκτισμα του αλυσσπρίονου και αποφύγετε την επαφή με την άκρη της μπάρας




Θόρυβος

min⁻¹ Στροφές ανά λεπτό

CE CE

GR

ΤΕΧΝΙΚΕΣ ΠΡΟΔΙΑΓΡΑΦΕΣ

Τάση	56 V 	
Συνιστώμενη θερμοκρασία λειτουργίας:	-15°C-40°C	
Συνιστώμενη θερμοκρασία αποθήκευσης:	-20°C-70°C	
Βέλτιστη θερμοκρασία φόρτισης	5 °C-40 °C	
Ταχύτητα πριονιού	20 m/s	
Βήμα αλυσίδας	9,5 mm	
Ένδειξη αλυσίδας	1,3 mm	
Τύπος αλυσίδας	91PX062X 90PX056X 90PX052X	
Τύπος οδηγητικής μπάρας	180SDEA041 164MLEA041 144MLEA041	
Χωρητικότητα δοχείου λαδιού αλυσίδας	200 ml	
Βάρος (χωρίς συστοιχία μπαταριών, θήκη αλυσίδας)	4,4kg	
Μετρημένη στάθμη ηχητικής ισχύος L_{WA}	103,53 dB(A) K=1,17 dB(A)	
Στάθμη ηχητικής πίεσης στο αυτί του χειριστή L_{PA}	92,53 dB(A) K=3,0 dB(A)	
Εγγυημένη στάθμη ηχητικής ισχύος L_{WA} (κατά 2000/14/EK)	105 dB(A)	
Δονήσεις a_n	Μπροστινή λαβή	5,158 m/s ² K=1,5 m/s ²
	Οπίσθια λαβή	5,537 m/s ² K=1,5 m/s ²

GR

- Η αναφερόμενη συνολική τιμή κραδασμών έχει μετρηθεί σύμφωνα με την πρότυπη μέθοδο ελέγχου και μπορεί να χρησιμοποιηθεί για τη σύγκριση ενός εργαλείου με κάποιο άλλο.
- Η αναφερόμενη συνολική τιμή κραδασμών μπορεί να χρησιμοποιηθεί, επίσης, για την προκαταρκτική αξιολόγηση της έκθεσης.

ΣΗΜΕΙΩΣΗ: Οι εκπομπές κραδασμών κατά τη διάρκεια της πραγματικής χρήσης του ηλεκτρικού εργαλείου μπορεί να διαφέρουν από τη δηλωμένη τιμή στην οποία χρησιμοποιείται το εργαλείο. Για την προστασία του χειριστή, πρέπει να χρησιμοποιούνται γάντια και προστασία της ακοής στις πραγματικές συνθήκες χρήσης.

ΠΕΡΙΓΡΑΦΗ

ΓΝΩΡΙΣΤΕ ΤΟ ΑΛΥΣΟΠΡΙΟΝΟ ΣΑΣ (Εικ. 1)

1. Οπή λίπανσης
2. Οδηγητική μπάρα
3. Πριονωτή αλυσίδα
4. Καπάκι ρεζερβουάρ λαδιού
5. Λαβή φρένου λακτίσματος αλυσίδας
6. Μπροστινή λαβή
7. Κουμπί απελευθέρωσης της συστοιχίας μπαταριών
8. Κουμπί απασφάλισης
9. Διακόπτης-σκανδάλη μεταβλητής ταχύτητας
10. Ηλεκτρικές επαφές
11. Μηχανισμός εκτόξευσης
12. Παράθυρο ελέγχου στάθμης λαδιού
13. Πίσω χειρολαβή
14. Κουμπί LED
15. Προβολείς LED
16. Ακμές τεμαχισμού
17. Κουμπί για γρήγορη ρύθμιση της τάνυσης αλυσίδας
18. Πλευρικό κάλυμμα
19. Θήκη αλυσίδας

ΚΑΤΑΛΟΓΟΣ ΕΞΑΡΤΗΜΑΤΩΝ ΣΥΣΚΕΥΑΣΙΑΣ

ΟΝΟΜΑ ΕΞΑΡΤΗΜΑΤΟΣ	ΠΟΣΟΤΗΤΑ
Κεφαλή ισχύος αλυσοπριονίου	1
Αλυσίδα πριονιού	1
Οδηγητική μπάρα	1
Θήκη αλυσίδας	1
Εγχειρίδιο χρήσης	1

ΣΥΝΑΡΜΟΛΟΓΗΣΗ

ΣΥΝΑΡΜΟΛΟΓΗΣΗ/ΑΝΤΙΚΑΤΑΣΤΑΣΗ ΤΗΣ ΜΠΑΡΑΣ ΚΑΙ ΤΗΣ ΑΛΥΣΙΔΑΣ

⚠️ ΠΡΟΕΙΔΟΠΟΙΗΣΗ: Ρυθμίστε τη λαβή του φρένου οπισθολακτίσματος του πριονιού στη θέση φρένου πριν από τη συναρμολόγηση.

1. Τοποθετήστε την κεφαλή ισχύος αλυσοπριονίου στα πλάγια με το πλαϊνό κάλυμμα να βλέπει προς τα επάνω (Εικ. 2).
2. Αφαιρέστε το πλαϊνό κάλυμμα, περιστρέφοντας αριστερόστροφα το κουμπί για γρήγορη ρύθμιση της τάνυσης αλυσίδας.

3. Απλώστε τη νέα αλυσίδα σε μια θηλιά σε μια επίπεδη επιφάνεια και ισιώστε οποιεσδήποτε διπλώσεις.
4. Τοποθετήστε τους συνδέσμους οδηγού αλυσίδας μέσα στην εγκοπή οδηγητικής μπάρας και κάντε θηλιά στην αλυσίδα στο πίσω μέρος της οδηγητικής μπάρας (Εικ. 3).

3-1	Σύνδεσμοι οδηγού αλυσίδας
3-2	Εγκοπή οδηγητικής μπάρας

5. Κρατήστε την αλυσίδα στην θέση της στην οδηγητική μπάρα και τοποθετήστε την θηλιά γύρω από τον οδοντωτό τροχό της κεφαλής ισχύος (Εικ. 4).

ΣΗΜΕΙΩΣΗ: Μικρά βέλη κατεύθυνσης είναι χαραγμένα στην αλυσίδα και την ηλεκτρική κεφαλή. Όταν κάνετε θηλιά της αλυσίδας στην οδηγητική μπάρα, εξασφαλίστε ότι η κατεύθυνση των βελών στην αλυσίδα θα αντιστοιχούν στην κατεύθυνση του βέλους στην ηλεκτρική κεφαλή.

6. Επανατοποθετήστε το πλαϊνό κάλυμμα και συσφίξτε το κουμπί για γρήγορη ρύθμιση της τάνυσης αλυσίδας. Το έκκεντρο γρανάζι μέσα στο πλευρικό κάλυμμα διασφαλίζει ότι η αλυσίδα δεν θα τανυθεί υπερβολικά.
7. Προσαρμόστε τη λαβή φρένου λακτίσματος αλυσίδας στη θέση λειτουργίας, και στη συνέχεια, περιστρέψτε την αλυσίδα με το χέρι για να ελέγξετε εάν έχει συναρμολογηθεί σωστά χωρίς να μαγκώνει. Στην αντίθετη περίπτωση, συναρμολογήστε εκ νέου την αλυσίδα και την μπάρα.

ΣΗΜΕΙΩΣΗ: Υπάρχει μια πλάκα ρύθμισης συνδεδεμένη με μια βίδα στην οδηγητική μπάρα. Σε περίπτωση που απαιτηθεί αντικατάσταση της οδηγητικής μπάρας, αφαιρέστε την πλάκα ρύθμισης από την οδηγητική μπάρα και εγκαταστήστε την πάνω στη νέα οδηγητική μπάρα, σύμφωνα με την Εικ. 5.

ΛΕΙΤΟΥΡΓΙΑ

ΕΦΑΡΜΟΓΗ

Μπορείτε να χρησιμοποιήσετε αυτό το εργαλείο για βασικές εργασίες υλοτομίας, αποκλάδωση, κλάδεμα και κοπή ξύλων σε ξυλεία και δέντρα.

ΣΗΜΕΙΩΣΗ: Το εργαλείο πρέπει να χρησιμοποιείται μόνο για την προβλεπόμενη χρήση. Οποιαδήποτε άλλη χρήση θα εκληφθεί ως καταχρηστική.

ΠΡΟΣΑΡΤΗΣΗ/ΑΠΟΜΑΚΡΥΝΣΗ ΤΗΣ ΣΥΣΤΟΙΧΙΑΣ ΜΠΑΤΑΡΙΑΣ

Φορτίστε πλήρως πριν από την πρώτη χρήση.

Χρησιμοποιείτε μόνο τις συστοιχίες μπαταριών και τους φορτιστές της EGO που αναφέρονται παρακάτω:

ΜΠΑΤΑΡΙΑ	ΦΟΡΤΙΣΤΗΣ
BA1120E, BA2240E, BA1400, BA2800, BA3360, BA4200, BA1400T, BA2800T, BA4200T, BA5600T	CH2100E, CH5500E

Προσάρτηση

Ευθυγραμμίστε τις πλευρές της μπαταρίας με τις οπές τοποθέτησης και πιέστε τη συστοιχία μπαταριών προς τα κάτω, μέχρι να ακούσετε ένα «κλικ» (Εικ. 6).

Αφαίρεση

Πιέστε το κουμπί αποδέσμευσης μπαταρίας και τραβήξτε έξω τη συστοιχία μπαταριών (Εικ. 7).

ΠΡΟΒΟΛΕΙΣ LED

Ο προβολέας LED (Εικ. 1-15) βρίσκεται μπροστά την κεφαλή ισχύος του αλυσοπριονίου. Αυτή το χαρακτηριστικό παρέχει επιπλέον φως για αυξημένη ορατότητα, ενώ επιδέχεται ρύθμιση σε 2 επίπεδα φωτεινότητας.

Για να ανάψετε τον προβολέα, πιέστε το κουμπί LED (Εικ. 1-14) μια φορά. Ο προβολέας παρέχει έντονο φως μπροστά στο αλυσοπρίονο. Πιέστε το κουμπί LED δεύτερη φορά για να αυξήσετε τη φωτεινότητα του προβολέα.

Για να απενεργοποιήσετε τον προβολέα, πιέστε το κουμπί LED για τρίτη φορά.

ΕΝΕΡΓΟΠΟΙΗΣΗ/ΑΠΕΝΕΡΓΟΠΟΙΗΣΗ ΤΟΥ ΑΛΥΣΟΠΡΙΟΝΟΥ

Πριν από την ενεργοποίηση/απενεργοποίηση του αλυσοπριονίου

ΣΗΜΕΙΩΣΗ: Προτού ενεργοποιήσετε το αλυσοπρίονο, ελέγξτε τη γρήγορη ρύθμιση της τάνυσης αλυσίδας και τη στάθμη λαδιού, εάν είναι αιχμηρές οι οδοντώσεις και τη σωστή λειτουργία της λαβής φρένου λακτίσματος. Επίσης, πρέπει να ελέγξετε ισορροπημένα και σε σωστή απόσταση από το έδαφος.

Ενεργοποίηση

1. Τραβήξτε τη λαβή φρένου λακτίσματος αλυσίδας προς την μπροστινή λαβή στη θέση λειτουργίας.
2. Πιάστε τη μπροστινή και την πίσω λαβή σφιχτά, χρησιμοποιώντας και τα δύο χέρια.
3. Πατήστε και διατηρήστε πιεσμένο το κουμπί απασφάλισης, και στη συνέχεια, πιέστε το διακόπτη-σκανδάλη μεταβλητής ταχύτητας για να ενεργοποιηθεί το αλυσοπρίονο. Η ταχύτητα αυξάνεται όσο αυξάνεται η πίεση στο διακόπτη-σκανδάλη μεταβλητής ταχύτητας.

GR

4. Αποδεσμεύστε το κουμπί απασφάλισης και συνεχίστε να πιέζετε το διακόπτη-σκανδάλη μεταβλητής ταχύτητας για να συνεχίσετε τη χρήση.

Ξωστό πιάσιμο των λαβών (Εικ. 8)

- Φοράτε αντιολισθητικά γάντια για μέγιστο κράτημα και προστασία.
- Με το αλυσοπρίονο σε μια σταθερή, επίπεδη επιφάνεια, κρατήστε το σφιχτά και με τα δύο χέρια.
- Πιάνετε πάντα την μπροστινή λαβή με το αριστερό χέρι και την πίσω λαβή με το δεξί.
- Τα δάχτυλα πρέπει περικλείουν τη λαβή, με τον αντίχειρα τυλιγμένο κάτω από την μπροστινή λαβή.

⚠ ΠΡΟΕΙΔΟΠΟΙΗΣΗ: Ποτέ μη χρησιμοποιείτε μια αριστερή λαβή (διασταύρωση χειριών) ή οτιδήποτε μπορεί να θέσει το σώμα ή το βραχιόνά σας εγκάρσια της γραμμής αλυσίδας (Εικ. 9).

Ξωστή θέση κοπής (Εικ. 10)

- Και τα δύο πόδια πρέπει να βρίσκονται σε σταθερό έδαφος, με το βάρος ομοιόμορφα κατανεμημένο μεταξύ τους.
- Ο αριστερός βραχιόνας πρέπει να είναι ίσιος, με τον αγκώνα σταθερό. Έτσι αντέχете τις δυνάμεις που δημιουργούνται από λάκτισμα.
- Το σώμα σας πρέπει να βρίσκεται πάντα στα αριστερά της γραμμής αλυσίδας.

ΚΟΠΗ

Βασική κοπή

- Ο αρχάριος χρήστης συνιστάται να κάνει εξάσκηση στην κοπή ξύλων σε υποστάτη ξυλουργού ή σε φατνίο.
- Ξεκινήστε την κοπή, πιέζοντας ελαφρά την οδηγητική μπάρα πάνω στο ξύλο. Ασκήτε μόνο ελαφρά πίεση και αφήστε το αλυσοπρίονο να κάνει όλη τη δουλειά.
- Διατηρείτε σταθερή ταχύτητα κατά τη διάρκεια της κοπής, μειώνοντας την πίεση προς το τέλος της κοπής.

⚠ ΠΡΟΕΙΔΟΠΟΙΗΣΗ: Όταν η αλυσίδα είναι σταματημένη λόγω μαγκώματος κατά την κοπή, αποδεσμεύστε το διακόπτη σκανδάλης. Απομακρύνετε την αλυσίδα και την οδηγητική μπάρα από το ξύλο, και στη συνέχεια, επανεκκινήστε το αλυσοπρίονο.

⚠ ΠΡΟΕΙΔΟΠΟΙΗΣΗ: Μην τραβάτε την αλυσίδα με το χέρι όταν μπλοκάρει με σκόνη πριονίσματος.

⚠ ΠΡΟΕΙΔΟΠΟΙΗΣΗ: Ποτέ μην εκκινείτε το αλυσοπρίονο όταν βρίσκεται σε επαφή με το ξύλο. Αφήνετε πάντα το αλυσοπρίονο να φτάνει στην πλήρη ταχύτητα, προτού το ακουμπήσετε πάνω στο ξύλο.

ΚΟΠΗ ΔΕΝΤΡΟΥ

- Κατά τις λειτουργίες τεμαχισμού και κοπής από δύο ή περισσότερα άτομα ταυτόχρονα, η λειτουργία κοπής πρέπει να διαχωρίζεται από τη λειτουργία τεμαχισμού από μια απόσταση τουλάχιστον το διπλό ύψος του δέντρου που κόβεται. Τα δέντρα δεν πρέπει να κόβονται έτσι ώστε να θέτουν σε κίνδυνο οποιoδήποτε άτομο, να χτυπήσουν οποιoδήποτε αγωγό ή να προκαλέσουν ζημιές σε ιδιοκτησίες. Εάν ένα δέντρο έρθει σε επαφή με γραμμές τροφοδοσίας πρέπει να ειδοποιηθεί αμέσως η αντίστοιχη εταιρεία.
- Ο χειριστής του αλυσοπρίονου πρέπει να στέκεται στην ανωφερή πλευρά του εδάφους, γιατί το δέντρο μπορεί να κυλήσει ή να γλιστρήσει προς τα κάτω μετά την κοπή.
- Πριν ξεκινήσετε τις εργασίες κοπής πρέπει να σχεδιάσετε και να καθορίσετε ένα διάδρομο διαφυγής σύμφωνα με τις ανάγκες. Ο διάδρομος διαφυγής πρέπει να εκτείνεται προς τα πίσω και διαγώνια από την αναμενόμενη γραμμή πτώσης όπως φαίνεται στην Εικ. 11.

11-1	Κατεύθυνση κοπής
------	------------------

- Προτού ξεκινήσει η κοπή, λάβετε υπόψη την φυσική κλίση του δέντρου, την τοποθεσία των μεγαλύτερων κλαδιών και την κατεύθυνση του ανέμου, ώστε να κρίνετε προς ποια κατεύθυνση θα πέσει το δέντρο.
- Αφαιρέστε ρύπους, πέτρες, χαλαρούς φλοιούς, καρφιά, συνδετήρες και σύρματα από το δέντρο.

ΕΓΚΟΠΗ ΤΟΜΗΣ ΡΙΨΗΣ

Κάντε την εντομή στο 1/3 της διαμέτρου του δέντρου, κάθετα προς την κατεύθυνση πτώσης, σύμφωνα με την Εικ. 12. Κάντε πρώτα την καλύτερη οριζόντια κοπή εγκοπής. Έτσι θα αποφευχθεί μάγκωμα του αλυσοπρίονου ή της οδηγητικής μπάρας, όταν γίνει η δεύτερη εντομή.

Όπισθεν κοπή

- Κάντε την όπισθεν κοπή τουλάχιστον 50 mm υψηλότερα από την οριζόντια κοπή εντομής, όπως φαίνεται στην Εικ. 12-3.

12-1	Κατεύθυνση πτώσης	12-3	Όπισθεν κοπή
12-2	Εγκοπή	12-4	Μεντεσές

Διατηρείτε την όπισθεν κοπή τουλάχιστον παράλληλη στην οριζόντια κοπή εντομής. Κάντε την όπισθεν κοπή έτσι ώστε να απομείνει επαρκές ξύλο για να λειτουργήσει ως άρθρωση. Το ξύλο που λειτουργεί έτσι εμποδίζει το δέντρο να περιστραφεί και να πέσει στην λάθος κατεύθυνση. Μην κόψετε μέσα από αυτήν την άρθρωση.

- Καθώς η κοπή πλησιάζει κοντά στην άρθρωση, το δέντρο θα ξεκινήσει να πέφτει. Εάν υπάρχει πιθανότητα το δέντρο να μην πέσει στην επιθυμητή κατεύθυνση ή να λικνιστεί πίσω και να σφηνώσει το αλυσοπρίονο, σταματήστε την κοπή προτού ολοκληρωθεί η όπισθεν κοπή και χρησιμοποιήστε σφήνες ξύλου, πλαστικού ή αλουμινίου για να ανοίξετε την κοπή ώστε να πέσει το δέντρο κατά μήκος της επιθυμητής γραμμής πτώσης.
- Όταν το δέντρο αρχίσει να πέφτει, απομακρύνετε το αλυσοπρίονο από την κοπή, σταματήστε τον κινητήρα, αποθέστε το μηχανήμα κάτω και κατόπιν χρησιμοποιήστε τη διαδρομή υποχώρησης όπως είχατε σχεδιάσει. Να προσέχετε για κλαδιά πιο ψηλά που ενδεχομένως πέφτουν και προσέχετε που πατάτε.

Αποκλάδωση δέντρου

Η αποκλάδωση απομακρύνει τα κλαδιά από ένα πεσμένο δέντρο. Κατά την αποκλάδωση αφήνεται τα μεγαλύτερα κλαδιά χαμηλά να υποστηρίζουν τον κορμό μακριά από το έδαφος. Απομακρύνετε τα μικρά κλαδιά με μια κοπή, όπως φαίνεται στην Εικ. 13. Τα κλαδιά που βρίσκονται υπό πίεση πρέπει να κόβονται από κάτω προς τα πάνω, για να αποφευχθεί το μάγκωμα της αλυσίδας του πριονιού.

Τεμαχισμός κορμού

- Ο όρος αυτός αφορά το πριόνισμα ενός κορμού σε διάφορα μήκη. Είναι σημαντικό να πατάτε σταθερά και το βάρος σας να κατανέμεται ομοιόμορφα και στα δύο πόδια. Όταν είναι δυνατόν, ο κορμός πρέπει να ανυψώνεται και υποστηρίζεται με τη χρήση κλαδιών, κορμών ή σφηνών. Τηρείτε αυτές τις απλές οδηγίες για εύκολη κοπή.
- Όταν ο κορμός υποστηρίζεται σε όλο του το μήκος, όπως φαίνεται στην Εικ. 14, κόβεται από το επάνω μέρος (τεμαχισμός από πάνω προς τα κάτω).
- Όταν ο κορμός υποστηρίζεται στο ένα άκρο, όπως φαίνεται στην Εικ. 15, κόβετε το 1/3 της διαμέτρου από την κάτω πλευρά
- (τεμαχισμός από κάτω προς τα πάνω). Κατόπιν κάντε την οριστική κοπή με τεμαχισμό από πάνω προς τα κάτω για να συναντήσετε την πρώτη κοπή.
- Όταν ο κορμός υποστηρίζεται και στα δύο άκρα, όπως φαίνεται στην Εικ. 16, κόβετε το 1/3 της διαμέτρου από την άνω πλευρά (τεμαχισμός από πάνω προς τα κάτω). Κατόπιν κάντε την οριστική κοπή με τεμαχισμό από κάτω προς τα πάνω των κάτω 2/3 για να συναντήσετε την πρώτη κοπή.
- Όταν κόβετε ξύλα σε επικλινές έδαφος, να στέκεστε πάντα στην ανωφερή πλευρά του κορμού, όπως φαίνεται στην Εικ. 17.
- Όταν κόβετε στη μέση, για να διατηρήσετε τον πλήρη έλεγχο, αποδεσμεύστε την πίεση κοπής κοντά στο

τέλος της κοπής, χωρίς να χαλαρώσετε τη λαβή σας στις χειρολαβές του αλυσοπριονιού. Μην αφήσετε την αλυσίδα να έρθει σε επαφή με το έδαφος. Αφού ολοκληρώσετε την κοπή, περιμένετε να σταματήσει το αλυσοπρίονο προτού το μετακινήσετε. Απενεργοποιείτε πάντα τον κινητήρα προτού μετακινήθείτε από δέντρο σε δέντρο.

ΣΥΝΤΗΡΗΣΗ

ΠΛΗΡΩΣΗ ΛΙΠΑΝΤΙΚΟΥ ΣΤΗ ΜΠΑΡΑ ΚΑΙ ΤΗΝ ΑΛΥΣΙΔΑ

ΣΗΜΕΙΩΣΗ: Το αλυσοπρίονο δεν έχει λάδι μέσα κατά την αγορά. Είναι σημαντικό να γεμίσετε το δοχείο με λάδι πριν τη χρήση. Η αλυσίδα λιπαίνεται αυτόματα με λάδι αλυσίδας κατά τη λειτουργία.

1. Τοποθετείτε το αλυσοπρίονο στα πλάγια, με το καπάκι δοχείου λαδιού να βλέπει προς τα κάτω.
2. Καθαρίστε το καπάκι καθώς και τον τομέα γύρω - γύρω και κατόπιν γυρίστε το αριστερότροφο για να το απομακρύνετε (Εικ. 18).
3. Χύστε προσεκτικά το ειδικά σχεδιασμένο λάδι μέσω στο δοχείο, μέχρι να φτάσει το κάτω μέρος του λαϊμού φίλτρου.
4. Σκουπίστε το υπερβάλλον λάδι και επανατοποθετήστε το καπάκι.

ΣΗΜΕΙΩΣΗ: Σε όρθια θέση, το λάδι πρέπει να γεμίζει το παράθυρο ελέγχου στάθμης λαδιού. Όταν το λάδι δεν είναι πλέον ορατό στο παράθυρο ελέγχου στάθμης λαδιού, σταματήστε τη χρήση αμέσως και συμπληρώστε λάδι.

ΚΑΘΑΡΙΣΜΟΣ

- Μετά από κάθε χρήση, καθαρίζετε τα υπολείμματα από την αλυσίδα και την οδηγική μπάρα με μια μαλακιά βούρτσα. Σκουπίζετε την επιφάνεια του αλυσοπριονιού με ένα καθαρό πανί βρεγμένο με ήπια σαπουνάδα.
- Απομακρύνετε το πλαινό κάλυμμα και κατόπιν χρησιμοποιήστε μια μαλακιά βούρτσα για να απομακρύνετε υπολείμματα από την οδηγική μπάρα, την αλυσίδα, τον οδοντωτό τροχό και το πλαινό κάλυμμα.
- Καθαρίζετε πάντα τα ροκανίδια, τη σκόνη πριονίσματος και τους ρύπους από την εγκοπτή οδηγητικής μπάρας όταν αντικαθιστάτε την αλυσίδα.

ΣΥΝΤΗΡΗΣΗ ΟΔΗΓΗΤΙΚΗΣ ΜΠΑΡΑΣ

Όταν η οδηγητική μπάρα παρουσιάζει σημάδια φθοράς, αποσυρμαολογήστε την από την κεφαλή ισχύος αλυσοπριονιού και αντιστρέψτε την για επανατοποθέτηση (Εικ. 19). Με αυτόν τον τρόπο η φθορά θα κατανεμηθεί ομοιόμορφα για μεγαλύτερη διάρκεια ζωής της μπάρας.

Η μπάρα πρέπει να καθαρίζεται κάθε ημέρα χρήσης και να ελέγχεται για φθορά και ζημιές. Σφήνωμα ή γρέζια στις ράγες μπάρας είναι φυσιολογικά σημάδια φθοράς της μπάρας. Τέτοια ίχνη πρέπει να λειαίνονται με μια λίμα μόλις εμφανιστούν. Μια μπάρα με κάποιο από τα ακόλουθα σημάδια πρέπει να αντικατασταθεί.

- Φθορά στο εσωτερικό των ραγών μπάρας που επιτρέπει στην αλυσίδα να τρέχει λοξά.
- Λυγισμένη οδηγητική μπάρα.
- Ράγες με ρωγμές ή σπασμένες.
- Ανοιγμένες ράγες.

Επιπλέον η οδηγητική μπάρα έχει έναν οδοντωτό τροχό στην άκρη (Εικ. 20-1). Ο οδοντωτός τροχός πρέπει να λιπαίνεται κάθε εβδομάδα με μια σύριγγα με γράσο για την επιμήκυνση της διάρκειας ζωής της μπάρας (Εικ. 21). Χρησιμοποιείτε μια σύριγγα με γράσο για την εβδομαδιαία λίπανση με λάδι αλυσίδας από την οπή λίπανσης (Εικ. 20-2). Γυρίστε την οδηγητική μπάρα και ελέγξτε εάν οι σπές λίπανσης και η εγκοπή αλυσίδας είναι ελεύθερες από ρύπους.

ΣΥΝΤΗΡΗΣΗ ΑΛΥΣΙΔΑΣ

Χρησιμοποιείτε μόνο αλυσίδες χαμηλού λακτίσματος σε αυτό το πριόνι. Αυτή η αλυσίδα γρήγορης κοπής παρέχει μείωση λακτίσματος όταν συντηρείται σωστά.

Μια σωστά τροχισμένη αλυσίδα κόβει άνετα ξύλο, ακόμα και με πολύ λίγη πίεση. Ποτέ μη χρησιμοποιείτε μια στομωμένη ή φθαρμένη αλυσίδα. Η στομωμένη διάταξη κοπής αλυσίδας οδηγεί σε αυξημένη σωματική καταπόνηση, σε αυξημένο φορτίο κραδασμών, σε μη ικανοποιητικά αποτελέσματα κοπής και σε αυξημένες φθορές.

Για ήπια και γρήγορη κοπή, η αλυσίδα χρειάζεται σωστή συντήρηση. Η αλυσίδα απαιτεί τροχισμό όταν η αλυσίδα ξύλου είναι μικρά και μοιάζουν με σκόνη, η αλυσίδα πρέπει να εισέρχεται με δύναμη στο ξύλο κατά την κοπή αλλιώς η αλυσίδα θα κόψει στη μια πλευρά. Κατά τη συντήρηση της αλυσίδας, λαμβάνετε υπόψη τα εξής:

- Μια ακατάλληλη γωνία πλήρωσης της πλευρικής πλάκας μπορεί να αυξήσει τον κίνδυνο σοβαρού λακτίσματος.
- Κενό ρυθμιστή βάθους κοπής. Πολύ χαμηλό, αυξάνει την πιθανότητα λακτίσματος. Όχι αρκετά χαμηλό, μειώνει την ικανότητα κοπής.
- Εάν οι οδοντώσεις κόφτη έχουν χτυπήσει σε σκληρά αντικείμενα όπως καρφιά και πέτρες ή έχουν τριφτεί από λάσπη ή άμμο στο ξύλο, επιτρέψτε ο εξειδικευμένος τεχνικός του σέρβις να ακονίσει την αλυσίδα.

ΜΕΤΑΦΟΡΑ ΚΑΙ ΑΠΟΘΗΚΕΥΣΗ

- Μην αποθηκεύετε ή μεταφέρετε το αλυσοπριόνιο όταν λειτουργεί. Απομακρύνετε πάντα τη συστοιχία μπαταριών πριν την αποθήκευση ή τη μεταφορά.
- Τοποθετείτε πάντα τη θήκη οδηγητικής μπάρας στην οδηγητική μπάρα και την αλυσίδα προτού αποθηκεύσετε ή μεταφέρετε το αλυσοπριόνιο. Να είστε προσεκτικοί και να αποφεύγετε την αιχμηρή οδόντωση της αλυσίδας.
- Καθαρίστε το αλυσοπριόνιο επιμελώς πριν από την αποθήκευση. Αποθηκεύστε το αλυσοπριόνιο σε εσωτερικό, στεγνό χώρο που κλειδώνει και όπου δεν πλησιάζουν παιδιά.
- Κρατάτε μακριά από διαβρωτικά προϊόντα, όπως χημικά και αποπαγωτικά άλατα κήπου.

Προστασία του περιβάλλοντος



ΑΗΗΕ (Απόβλητα ειδών ηλεκτρικού και ηλεκτρονικού εξοπλισμού)

Μη απορρίπτετε ηλεκτρικό εξοπλισμό, παλιές μπαταρίες και φορτιστές στα οικιακά απορρίμματα! Μεταφέρετε αυτό το προϊόν σε εξουσιοδοτημένο κέντρο ανακύκλωσης και παραδώστε το για ξεχωριστή συλλογή. Τα ηλεκτρικά εργαλεία πρέπει να επιστρέφονται σε περιβαλλοντικά συμβατή μονάδα ανακύκλωσης.

ΑΝΤΙΜΕΤΩΠΙΣΗ ΠΡΟΒΛΗΜΑΤΩΝ

ΠΡΟΒΛΗΜΑ	ΑΙΤΙΑ	ΑΝΤΙΜΕΤΩΠΙΣΗ
Το μοτέρ δεν ενεργοποιείται.	<ul style="list-style-type: none"> ■ Η συστοιχία μπαταριών δεν έχει προσαρτηθεί στο αλυσοπρίονο. ■ Δεν υπάρχει ηλεκτρική επαφή μεταξύ αλυσοπρίονου και μπαταρίας. ■ Η συστοιχία μπαταριών έχει αδειάσει. ■ Η συστοιχία μπαταριών ή η αλυσίδα είναι υπερβολικά ζεστά. ■ Το φρένο αλυσίδας είναι σε κατάσταση εμπλοκής. ■ Υπολείμματα στην εγκοπή μπάρας. ■ Υπολείμματα στο πλαϊνό κάλυμμα. 	<ul style="list-style-type: none"> ■ Τοποθετήστε τη συστοιχία μπαταριών στο αλυσοπρίονο. ■ Απομακρύνετε τη συστοιχία μπαταριών, ελέγξτε τις επαφές και εγκαταστήστε τη συστοιχία μπαταριών εκ νέου. ■ Φορτίστε τη συστοιχία μπαταριών. ■ Επιτρέψτε να κρυώσει η συστοιχία μπαταριών ή το αλυσοπρίονο, μέχρι η θερμοκρασία πέσει κάτω από τους 67°C. ■ Τραβήξτε τη λαβή φρένου λακτίσματος αλυσίδας προς τα πίσω, προς την μπροστινή λαβή στη θέση λειτουργίας. ■ Πιέστε το αλυσοπρίονο προς το ξύλο, μετακινήστε το αλυσοπρίονο προς τα πίσω και εμπρός για να απομακρύνετε τα υπολείμματα. ■ Απομακρύνετε τη συστοιχία μπαταριών, κατόπιν αφαιρέστε το πλαϊνό κάλυμμα και καθαρίστε τα υπολείμματα.
Το αλυσοπρίονο σταματά να λειτουργεί κατά την εργασία.	<ul style="list-style-type: none"> ■ Το αλυσοπρίονο έχει υπερφορτωθεί. ■ Η συστοιχία μπαταριών ή η αλυσίδα είναι υπερβολικά ζεστά. ■ Η αλυσίδα έχει μαγκώσει στο ξύλο. 	<ul style="list-style-type: none"> ■ Μειώστε το φορτίο. ■ Μειώστε το φορτίο. Επιτρέψτε να κρυώσει η συστοιχία μπαταριών ή το αλυσοπρίονο, μέχρι η θερμοκρασία πέσει κάτω από τους 67°C. ■ Αποδεσμεύστε το διακόπτη σκανδάλης. Απομακρύνετε την αλυσίδα και την οδηγητική μπάρα από το ξύλο, κατόπιν επανεκκινήστε το αλυσοπρίονο.
Το μοτέρ λειτουργεί αλλά η αλυσίδα δεν περιστρέφεται.	<ul style="list-style-type: none"> ■ Η αλυσίδα δεν εμπλέκει τον οδοντωτό τροχό οδηγού. ■ Υπολείμματα εμποδίζουν την πλήρη κίνηση της λαβής φρένου λακτίσματος αλυσίδας. ■ Πιθανή δυσλειτουργία φρένου αλυσίδας 	<ul style="list-style-type: none"> ■ Επανεγκαταστήστε την αλυσίδα, εξασφαλίζοντας ότι οι σύνδεσμοι αλυσίδας πάνω στην αλυσίδα εδράζονται εντελώς στον οδοντωτό τροχό. ■ Υπολείμματα εμποδίζουν την πλήρη κίνηση της λαβής φρένου λακτίσματος αλυσίδας. ■ Επικοινωνήστε με την εξυπηρέτηση πελατών της EGO για επίσκεψη.

GR

ΠΡΟΒΛΗΜΑ	ΑΙΤΙΑ	ΑΝΤΙΜΕΤΩΠΙΣΗ
Το αλυσοπρίονο δεν κόβει σωστά.	<ul style="list-style-type: none"> ■ Ανεπαρκής τάνυση αλυσίδας. ■ Στομωμένη αλυσίδα. ■ Η αλυσίδα έχει εγκατασταθεί προς τα πίσω. ■ Φθαρμένη αλυσίδα. ■ Στεγνή ή υπερβολική τετνωμένη αλυσίδα. 	<ul style="list-style-type: none"> ■ Ξεβιδώστε πρώτα το κουμπί για γρήγορη ρύθμιση της τάνυσης αλυσίδας, περιστρέφοντας τουλάχιστον δυο φορές αριστερόστροφα, και στη συνέχεια, συσφίξτε πλήρως, περιστρέφοντας δεξιόστροφα, μέχρι να τετνωθεί σωστά η αλυσίδα. ■ Ακονίστε τους κόφτες αλυσίδας σύμφωνα με την ενότητα «ΠΩΣ ΝΑ ΑΚΟΝΙΣΤΕ ΤΟΥΣ ΚΟΦΤΕΣ». ■ Επανεγκαταστήστε την αλυσίδα σύμφωνα με την ενότητα ΣΥΝΑΡΜΟΛΟΓΗΣΗ/ΑΝΤΙΚΑΤΑΣΤΑΣΗ ΤΗΣ ΜΠΑΡΑΣ ΚΑΙ ΤΗΣ ΑΛΥΣΙΔΑΣ. ■ Αντικαταστήστε την αλυσίδα σύμφωνα με την ενότητα ΣΥΝΑΡΜΟΛΟΓΗΣΗ/ΑΝΤΙΚΑΤΑΣΤΑΣΗ ΤΗΣ ΜΠΑΡΑΣ ΚΑΙ ΤΗΣ ΑΛΥΣΙΔΑΣ. ■ Ελέγξτε τη στάθμη λαδιού στο δοχείο λαδιού. Συμπληρώστε λάδι στο δοχείο λαδιού, εφόσον απαιτείται.
Η αλυσίδα πέφτει από την οδηγητική μπάρα.	<ul style="list-style-type: none"> ■ Ανεπαρκής τάνυση αλυσίδας. ■ Η αλυσίδα δεν εμπλέκει τον οδοντωτό τροχό οδηγού. 	<ul style="list-style-type: none"> ■ Ξεβιδώστε πρώτα το κουμπί για γρήγορη ρύθμιση της τάνυσης αλυσίδας, περιστρέφοντας τουλάχιστον δυο φορές αριστερόστροφα, και στη συνέχεια, συσφίξτε πλήρως, περιστρέφοντας δεξιόστροφα, μέχρι να τετνωθεί σωστά η αλυσίδα. ■ Επανεγκαταστήστε την αλυσίδα σύμφωνα με την ενότητα ΣΥΝΑΡΜΟΛΟΓΗΣΗ/ΑΝΤΙΚΑΤΑΣΤΑΣΗ ΤΗΣ ΜΠΑΡΑΣ ΚΑΙ ΤΗΣ ΑΛΥΣΙΔΑΣ, εξασφαλίζοντας ότι οι σύνδεσμοι αλυσίδας πάνω στην αλυσίδα εδράζονται εντελώς στον οδοντωτό τροχό.
Η μπάρα και η αλυσίδα θερμαίνονται και βγαίνει καπνός.	<ul style="list-style-type: none"> ■ Το δοχείο λαδιού είναι άδειο. ■ Υπολείμματα στην εγκοπή οδηγητικής μπάρας. 	<ul style="list-style-type: none"> ■ Συμπλήρωση λιπαντικού σε μπάρα και αλυσίδα. ■ Καθαρίστε τα υπολείμματα στην εγκοπή.

GR

ΕΓΓΥΗΣΗ

ΠΟΛΙΤΙΚΗ ΕΓΓΥΗΣΗΣ EGO

Επισκεφθείτε την ιστοσελίδα egopowerplus.com για όλους τους όρους και τις προϋποθέσεις της πολιτικής εγγύησης EGO.

TÜM TALİMATLARI OKUYUN!**KULLANIM KILAVUZUNU OKUYUN**

⚠ Artık risk! Kalp pili gibi elektronik cihaz kullanan kişiler bu ürünü kullanmadan önce hekimlerine danışmalıdır. Elektrikli cihazların, kalp pili yakınında çalıştırılması kalp pilinde parazite veya arızaya neden olabilir.

GÜVENLİK SEMBOLÜ

Güvenlik sembollerinin amacı olası tehlikelere dikkatinizi çekmektir. Güvenlik sembolleri ve yanlarındaki açıklamalar özel dikkat ve anlayış göstermenizi gerektirir. Uyarı sembolleri kendi başlarına herhangi bir tehlikeyi gidermez.

GÜVENLİK SEMBOLLERİ

Güvenlik Uyarısı



Koruyucu Gözlük Takın



Koruyucu Kask Takın



Pala



Pala Ucu Geri Teper



Yağmura Maruz Bırakmayın.



Atık elektrikli ürünler, evsel atıklar ile birlikte imha edilmemelidir. Yetkili bir geri dönüşüm merkezine teslim edilmelidir.

V

Volt



Doğru Akım



Yaralanma riskini azaltmak için, kullanıcı bu ürünü kullanmadan önce kullanım kılavuzunu okuyup anlamalıdır.



Kulak Koruması Takın



Koruyucu Eldiven Takın



Elektrikli testereyi tek elle kullanmayın



Elektrikli testereyi her zaman iki elle tutun



Elektrikli testerede geri tepme olabileceğini unutmayın ve çubuk ucuyla temastan kaçınin



Gürültü

min⁻¹

Dakika başına dönüş



CE

TR

TEKNİK ÖZELLİKLER

Voltaj	56 V 	
Tavsiye Edilen Çalışma Sıcaklığı:	-15°C-40°C	
Tavsiye Edilen Depolama Sıcaklığı:	-20°C-70°C	
Optimum Şarj Sıcaklığı	5 °C-40 °C	
Zincir hızı	20 m/s	
Zincir Adımı	9,5 mm	
Zincir Ölçüsü	1,3 mm	
Zincir Tipi	91PX062X 90PX056X 90PX052X	
Pala Tipi	180SDEA041 164MLEA041 144MLEA041	
Zincir Yağ Tankı Kapasitesi	200 ml	
Ağırlık (akü ve zincir kapağı hariç)	4,4kg	
Ölçülen ses gücü düzeyi L_{WA}	103,53 dB(A) K=1,17 dB(A)	
Operatörün duyduğu ses gücü düzeyi L_{PA}	92,53 dB(A) K=3,0 dB(A)	
Garantili ses gücü seviyesi L_{WA} (2000/14/EC'ye göre)	105 dB(A)	
Titreşim a_h	Ön Tutma Sapı	5,158 m/s ² K=1,5 m/s ²
	Arka Tutma Sapı	5,537 m/s ² K=1,5 m/s ²

- Bildirilen toplam titreşim değeri standart test yöntemine uygun olarak ölçülmüştür ve bir cihazı diğer bir cihaz ile karşılaştırmak için kullanılabilir.
- Bildirilen toplam titreşim değeri ayrıca ön maruz kalma değerlendirmesinde de kullanılabilir.

DİKKAT: Elektrikli aletin gerçek kullanımı sırasında meydana gelen titreşim emisyonu aletin kullanım şekline bağlı olarak bildirilen değerden farklı olabilir; Operatörü korumak için, kullanıcı gerçek kullanım koşullarında eldiven ve kulak koruması takmalıdır.

AÇIKLAMA

ELEKTRİKLİ TESTERENİZİ TANIYIN (Şek. 1)

1. Yağlama Deliği
2. Pala

3. Testere Zinciri
4. Yağ Haznesi Kapağı
5. Zincir Geri Tepme Fren Kolu
6. Ön Tutma Sapı
7. Akü Çıkarma Düğmesi
8. Kilitleme Düğmesi
9. Değişken Hız Tetiği Anahtarı
10. Elektrik Kontakları
11. Çıkarma Mekanizması
12. Yağ Gözlem Penceresi
13. Arka Kol
14. Kilit Düğmesi
15. LED Lambalar
16. Saplama Çivisi
17. Hızlı Zincir Gerginliği Ayar Topuzu
18. Yan Kapak
19. Zincir Kapağı

PAKET LİSTESİ

PARÇA ADI	MİKTAR
Elektrikli testere güç başlığı	1
Testere zinciri	1
Pala	1
Zincir kapağı	1
Kullanma kılavuzu	1

MONTAJ

PALA VE ZİNCİRİN MONTAJI/DEĞİŞTİRİLMESİ

⚠ UYARI: Montajdan önce zincir geri tepme freninin kolunu fren konumuna getirin.

1. Elektrikli testerenin güç başlığını, yan kapağı yukarıya bakacak şekilde yan olarak yerleştirin (Şek. 2).
2. Hızlı zincir gerginliği ayar topuzunu saat yönünün tersine çevirerek yan kapağı çıkarın
3. Yeni testere zincirini halka halinde düz bir yüzey üzerine yerleştirin ve kıvrılmış yerleri düzeltin.
4. Zincir sürücüsü bağlantılarını pala oluşuna yerleştirin ve zinciri palanın arkasında bir halka haline getirin (Şek. 3).

3-1	Zincir Sürücüsü Baklaları
3-2	Pala Oluğu

5. Zinciri pala üzerindeki konumunda tutun ve halkayı güç başlığındaki dişlinin etrafına yerleştirin (Şek. 4).

DİKKAT: Testere zincirinde ve güç başlığında oyulmuş küçük yön okları mevcuttur. Testere zincirini palanın üzerine sararken, zincir üzerindeki okların yönü ile güç başlığının üzerindeki okların yönünün uyumlu olduğundan emin olun.

6. Yan kapağı takın ve hızlı zincir gerginliği ayar topuzunu tamamen sıkın. Yan kapağın içindeki eksantrik dişli zincirin aşırı gerdirilmemesini sağlamak için tasarlanmıştır.
7. Zincir geri tepme fren kolunu çalışma durumunda ayarlayın, ardından zincirin bağlanmadan düzgün şekilde birleştirilmiş olduğundan emin olmak için zinciri elle döndürün. Aksi halde zincir ve palayı yeniden birleştirin.

DİKKAT: Pala üzerine bir vida ile bağlanmış bir ayar plakası mevcuttur. Eğer palanın yenisi ile değiştirilmesi gerekiyorsa paladan ayar plakasını sökün ve Şek. 5'te gösterildiği gibi yeni palaya takın

ÇALIŞMA

UYGULAMA

Bu ürün temel ağaç kesimi, dal kesme, budama ile kereste ve ağaç kesme işleri için kullanılabilir.

DİKKAT: Makine sadece belirtilen kullanım amacına uygun kullanılmalıdır. Diğer kullanım şekilleri hatalı kullanım olarak kabul edilir

AKÜNÜN TAKILMASI/ÇIKARILMASI

İlk kullanımdan önce tamamen şarj edin.

Sadece aşağıda listelenen EGO akü ve şarj cihazlarını kullanın.

AKÜ	ŞARJ CİHAZI
BA1120E, BA2240E, BA1400, BA2800, BA3360, BA4200, BA1400T, BA2800T, BA4200T, BA5600T	CH2100E, CH5500E

Takmak İçin

Akünün çıkıntılı ile montaj yuvalarını hizalayın ve "tık" sesi duyuncaya kadar aküyü aşağıya bastırın (Şek. 6).

Çıkarmak İçin

Akü çıkarma düğmesine basın ve aküyü çekip çıkarın (Şek. 7).

LED LAMBALAR

LED lamba (Şek. 1-15) elektrikli testere güç başlığının önünde bulunur. Bu özellik daha iyi görünürlük için ekstra ışık sağlar ve 2 parlaklık seviyesine ayarlanabilir.

Işıkları açmak için LED düğmesine (Şek. 1-14) bir kere basın. Lambalar testerenin önüne parlak ışık sağlar. LED düğmesine ikinci kez basın, lambalar daha parlak ışık verecektir.

Lambaları kapatmak için LED düğmesine üçüncü kere basın.

ELEKTRİKLİ TESTEREYİ ÇALIŞTIRMA/DURDURMA Elektrikli Testereyi Çalıştırmadan Önce

DİKKAT: Elektrikli testereyi çalıştırmadan önce, yağ seviyesini, hızlı zincir gerginliği ayarını, yağ seviyesini, dişlerinin keskinliğini ve geri tepme fren kolunun düzgün çalıştığını kontrol edin. Bunların yanı sıra, dengeli bir duruş ve yerden uygun bir mesafe sağlanması gerekir.

Çalıştırmak için

1. Zincir geri tepme fren kolunu ön kola doğru iterek çalışma konumuna getirin
2. Her iki elinizle ön ve arka kolları sıkıca kavrayın.
3. Kilitleme düğmesine basın ve basılı tutun, ardından değişken hız tetiği anahtarını sıkarak testereyi çalıştırın. Zincir hızı değişken hız tetiğinde basınç arttıkça artacaktır.
4. Kilitleme düğmesini serbest bırakın ve sürekli kullanım için değişken hız tetiği anahtarına basmaya devam edin.

Tutma Kollarının Doğru Şekilde Tutulması (Şek. 8)

- Maksimum tutuş ve koruma sağlamak için kaymaz eldivenler giyin.
- Testere sağlam, düz bir yüzey üzerindeyken testereyi her iki elinizle birden sağlam şekilde tutun.
- Daima ön kolu sol elinizle ve arka kolu sağ elinizle tutun.
- Baş parmağınız ön kolun alt kısmına gelecek şekilde parmaklarınızla kolu sıkıca kavrayın.

⚠ UYARI: Asla sol elinizle (çapraz tutuş) tutmayın veya vücudunuzu veya kolunuzu zincir hattına sokacak bir şekilde durmayın (Şek. 9).

Doğru Kesim Mesafesi (Şek. 10)

- Her iki ayağınız yere sağlam biçimde basmalı ve ağırlığınızı iki ayağınıza eşit olarak paylaşmalıyınız.
- Sol kolunuz düz, dirseğiniz kilitlenmiş olmalıdır. Bu, geri tepme sonucu oluşan kuvvetlere dayanmanıza yardımcı olur.
- Vücudunuz daima zincir hattının solunda olmalıdır.

KESME

Temel Kesme İşlemi

- İlk kez kullanılıyorsa lütfen önce bir testere tezgâhi veya tutucu kızakta kütük keserek alıştırmaya yapın.

- Palayı tahtaya doğru hafifçe bastırarak kesmeye başlayın. Testerenin çalışmasına izin vererek sadece hafif bir basınç kullanın
- Kesim boyunca sabit hızı koruyun, ancak kesimin sonunda baskı uygulamayı bırakın

UYARI: Kesim sırasında sıkışma nedeniyle testere zinciri durursa, tetik düşmesini bırakın; testere zincirini ve palayı ahşaptan çıkarın, ardından testereyi yeniden başlatın.

UYARI: Testere tozu nedeniyle sıkışmış durumdaki testere zincirini elinizle çekmeyin.

UYARI: Asla testereyi ahşap ile temas halindeyken çalıştırmayın. Testereyi ahşaba dokundurmadan önce daima testere zincirinin tam hıza ulaşmasını bekleyin.

AĞAÇ KESİMİ

- Aynı anda iki veya daha fazla kişi tarafından ağaç kesme ve parçalama işlemleri yapılırken, ağaç kesme işlemi ile parçalama işlemi arasında en az kesilen ağacın yüksekliğinin iki katı kadar mesafe bırakılmalıdır. Kesilen ağaçlar bir insanı tehlikeye atacak, herhangi bir hizmet hattına çarpacak ya da mal hasarına neden olacak şekilde devrilmemelidir. Ağaç herhangi bir hizmet hattına temas ederse, derhal kamu hizmet kuruluşuna bilgi verilmelidir.
- Kesilen ağacın devrildikten sonra yokuş aşağı yuvarlanma veya kayma ihtimali olduğundan, testere operatörü arazinin yokuş yukarı kısmında durmalıdır.
- Kesim yapmaya başlamadan önce bir kaçış yolu planlanmalı ve gerektiği şekilde temizlenmelidir. Kaçış yolu Şek. 11'de gösterildiği gibi hesaplanan düşme hattının arkasına doğru çapraz olarak uzamalıdır.

11-1	Devrilme Yönü
------	---------------

- Ağaç kesme işlemi başlamadan önce, ağacın düşeceği yönü belirlemek için ağacın doğal eğimini, büyük dalların konumunu ve rüzgar yönünü göz önüne alın
- Kir, taş, gevşemiş kabuk, çivi, kanca ve teller ağaçtan çıkarılmalıdır.

Alt çentik kesimi

Şek. 12'de gösterildiği gibi devrilme yönüne dik olarak, ağaç çapının 1/3'ü kadar bir çentik açın. İlk olarak alttaki yatay çentiği açın. Bu sayede, ikinci çentik açılırken testere veya palanın sıkışması önlenmiş olur.

Devirme kesimi

- Devirme kesimini, Şek. 12-3'te gösterildiği gibi yatay çentik kesiminden en az 50 mm daha yüksekte yapın.

12-1	Düşme yönü	12-3	Devirme kesimi
12-2	Çentik	12-4	Mafsalsal

Devirme kesimini yatay çentik kesimine paralel olarak yapın. Devirme kesimini yaparken bir mafsalsal işlevi görecektir kadar yeterli ahşap kalmasını sağlayın. Mafsalsal, ağacın yanlış yönde dönmesini ve düşmesini önler. Mafsalsal sonuna kadar kesmeyin.

- Devrilme kesimi mafsala yaklaştıkça ağaç düşmeye başlamalıdır. Ağacın istenilen yöne düşmemesi veya geriye doğru sallanması ve testere zincirini sıkıştırması ihtimali varsa, devirme kesimini tamamlamadan kesimi durdurun ve ağaç, plastik veya alüminyum takozlar kullanarak kesiyi açın ve ağacı istenilen düşme hattı yönüne düşürün.
- Ağaç düşmeye başladığında, testereyi kesikten çıkarın, motoru durdurun, testereyi yere bırakın ve ardından planlanan kaçış yolunu kullanın. Yukarıdan düşebilecek dallara karşı dikkatli olun ve bastığınız yere dikkat edin.

Ağacın budanması

Budama, devrilen bir ağacın dallarının kesilmesidir. Budama sırasında, kütüğü zeminden yukarıda tutmak için alttaki büyük dalları bırakın. Küçük dalları Şek. 13'te gösterilen şekilde bir defada kesin. Testerenin sıkışmasını önlemek için gerilim altındaki dallar aşağıdan yukarıya doğru kesilmelidir.

Kütük kesme

- Kütük kesme, bir kütüğü belirli uzunluklarda kesme işlemidir. Bastığınız yerin sağlam olduğundan emin olmanız ve ağırlığınızı her iki bacağınıza eşit olarak dağıtmanız önemlidir. Mümkünse, ağaç dalları, kütükler veya takozlar ile kütük havaya kaldırılmalı ve desteklenmelidir. Kolay kesim için temel yönergeleri izleyin.
- Kütük, Şek. 14'te gösterildiği gibi tüm uzunluğu boyunca destekleniyorsa, üstten kesim yapın (üstten kesim).
- Kütük, Şek. W2'de gösterildiği gibi tek bir uçtan destekleniyorsa, çapın 15'ü kadar alttan kesim yapın
- (alttan kesim). Ardından ilk kesikle buluşacak şekilde üstten kesim yaparak son kesiyi yapın.
- Kütük, Şek. 16'de gösterildiği gibi her iki uçtan destekleniyorsa, çapın 1/3'ü kadar üstten kesim yapın. Ardından ilk kesikle buluşacak şekilde alttan 2/3'ü kadar kesim yaparak son kesiyi yapın.
- Eğimli arazide kesim yaparken, daima Şek. 17'de gösterildiği gibi kütüğün yokuş yukarı kısmında durun.
- "Boydan boya kesim" yaparken, tam kontrol sağlamak için testere kollarını sıkıca kavrayarak kesimin sonuna doğru kesim basıncını serbest bırakın. Zincirin zemine temas etmesini izin vermeyin. Kesimi tamamladıktan

sonra, testereyi hareket ettirmeden önce zincirin durmasını bekleyin. Bir ağaçtan diğerine geçmeden önce daima motoru durdurun.

BAKIM

ZİNCİR VE PALANIN YAĞLANMASI

DİKKAT: Satın alındığında elektrikli testerede yağ bulunmaz. Kullanmadan önce tankı yağ ile doldurmak gerekir. Cihaz çalışırken zincir otomatik olarak yağlanır.

1. Elektrikli testereyi, yağ tankı kapağı yukarıda kalacak şekilde yan olarak yerleştirin.
2. Kapağı ve etrafını temizledikten sonra saat yönünün tersine çevirerek çıkarın (Şek. 18).
3. Özel olarak tasarlanmış yağı, filtre ağzının alt kısmına ulaşana kadar dikkatle tankın içine dökün.
4. Taşan yağ varsa silin ve kapağı yerine takın.

DİKKAT: Dik durumda, yağ gözlem penceresini doldurmuş olmalıdır. Gözlem penceresinde yağ görülmediğinde derhal kullanmayı durdurun ve yağ takviyesi yapın.

TEMİZLİK

- Her kullanımdan sonra, yumuşak bir fırça ile zincir ve paladaki talaşları temizleyin. Elektrikli testerenin yüzeyini, yumuşak sabun solüsyonu ile nemlendirilmiş, temiz bir bezle silin.
- Yan kapağı çıkarın ve ardından yumuşak bir fırça kullanarak paladaki, zincirdeki, dişlerdeki ve yan kapaktaki talaşı temizleyin.
- Testerenin zincirini değiştirirken daima pala oluğundaki ahşap talaşlarını, tozu ve kirleri temizleyin.

PALANIN BAKIMI

Pala aşınma belirtileri gösterdiğinde onu elektrikli testere güç başlığından söküp ve yeniden montaj için ters çevirin (Şek. 19), bu durumda maksimum pala ömrü için aşınma dağıtılır.

Pala kullanıldığında her gün temizlenmeli, aşınma ve hasara karşı kontrol edilmelidir. Pala raylarında çapaklanma görülmesi, palanın aşınma sürecinde normaldir. Bu tür arızalar oluşur oluşmaz bir eğe ile düzeltilmelidir. Aşağıdaki arızalardan herhangi biri bulunan pala değiştirilmelidir.

- Pala raylarının içinde, zincirin yanlara doğru kaymasına neden olan aşınma.
- Eğik pala.
- Çatlak veya kırık raylar.
- Ayrık raylar.

Ayrıca, palanın ucunda da bir dişli bulunmaktadır (Şek. 20-1). Palanın ömrünü uzatmak için, dişli bir yağ enjektörünü haftada bir yağlanmalıdır (Şek. 21). Bir yağ enjektörü

kullanarak, yağ deliğinden zincir yağı ile haftada bir yağlayın (Şek. 20-2). Palayı çevirin ve yağlama delikleri ile zincir oluğunda yabancı maddelerin olmadığını kontrol edin.

ZİNCİR BAKIMI

Bu testerede sadece düşük geri tepmeli zincirleri kullanın. Doğru şekilde bakım yapılırsa hızlı kesim zinciri geri tepmeyi azaltır.

Düzensiz bilenmiş bir testere zinciri, çok az basınçla da ağır ahşabı kolayca kesebilir. Asla körelmiş veya hasarlı bir testere zincirini kullanmayın. Kör bir testere zincirinin kesici ucu fiziksel gerilimi, titreşim yükünü artırır, başarısız kesim sonuçlarına yol açar ve aşınmayı çoğaltır.

Sorunsuz ve hızlı bir kesim için, zincire doğru şekilde bakım yapılmalıdır. Ahşap talaşları küçük ve tozlu ise zincirin bilenmesi gerekmektedir, kesim sırasında zincir ahşabın içinden geçirilmelidir, aksi halde zincir tek taraftan kesim yapar. Zincirin bakımı sırasında, aşağıdaki hususlara dikkat edilmelidir:

- Yan plakanın hatalı açılıya eğelenmesi ciddi geri tepme riskini artırabilir.
- Derinlik ölçeği aralığı. Çok alçak olması geri tepme potansiyelini artırır. Yeterince alçak olmaması kesim becerisini azaltır.
- Kesici dişler çivi ve taş gibi sert cisimlere çarpmışsa veya ahşap üzerindeki çamur veya kum nedeniyle aşınmışsa, zincirin yetkili bir servis teknisyeni tarafından bilenmesini sağlayın.

TAŞIMA VE DEPOLAMA

- Elektrikli testereyi çalışır durumdayken depolamayın veya taşımayın. Depolamadan veya taşımadan önce daima aküyü çıkarın.
- Elektrikli testereyi taşımadan veya saklamadan önce daima pala ve zincirin üzerine pala kapağını takın. Zincirin keskin dişlerine karşı dikkatli olun.
- Elektrikli testereyi depolamadan önce tamamen temizleyin. Elektrikli testereyi kilitli ve/veya çocukların ulaşamayacağı, kapalı ve kuru bir yerde saklayın.
- Bahçe kimyasalları ve eritici tuzlar gibi aşındırıcı maddelerden uzak tutun.

Çevre koruması



WEEE (Atık Elektrikli ve Elektronik Ürünler) Elektrikli cihazları, kullanılmış aküyü ve akü şarj cihazını evsel atıklarla birlikte atmayın! Bu ürünü yetkili bir geri dönüşümcüye götürün ve ayrı bir şekilde toplanmasını sağlayın. Elektrikli aletler çevreyle uyumlu bir geri dönüşüm tesisine götürülmelidir.

SORUN GİDERME

SORUN	SEBEP	ÇÖZÜM
Motor çalışmıyor.	<ul style="list-style-type: none"> ■ Akü, elektrikli testereye takılı değil. ■ Testere ile akü arasında elektrik teması yok. ■ Akü boşalmış. ■ Akü veya elektrikli testere çok sıcak. ■ Zincir freni devrede. ■ Pala oluğunda talaş artıkları var. ■ Yan kapak içerisinde talaş artıkları var. 	<ul style="list-style-type: none"> ■ Aküyü testereye takın. ■ Aküyü çıkarın, temas noktalarını kontrol edin ve aküyü yeniden takın. ■ Aküyü şarj edin. ■ Akü veya testerenin 67°C'nin altına düşünceye kadar soğumasını bekleyin. ■ Zincir geri tepme fren kolunu ön kola doğru geri iterek çalışma konumuna getirin. ■ Testereyi ahşaba doğru bastırın, testereyi ileri geri hareket ettirerek talaşın boşalmasını sağlayın. ■ Aküyü çıkarın, ardından yan kapağı çıkarın ve talaş artıklarını temizleyin.
Elektrikli testere çalışma esnasında duruyor.	<ul style="list-style-type: none"> ■ Testereye aşırı yüklenilmiş. ■ Akü veya elektrikli testere çok sıcak. ■ Testere zinciri ahşap içerisinde sıkışmış. 	<ul style="list-style-type: none"> ■ Yükü azaltın. ■ Yükü azaltın. Akü veya testerenin 67°C'nin altına düşünceye kadar soğumasını bekleyin. ■ Tetik düğmesini bırakın; testere zincirini ve palayı ahşaptan çıkarın, ardından testereyi yeniden başlatın.
Motor çalışıyor, ancak zincir dönmüyor.	<ul style="list-style-type: none"> ■ Zincir, sürücü dişlisine geçmiyor. ■ Talaş artıkları, zincir geri tepme fren kolunun tam hareketini engelliyor. ■ Muhtemel zincir freni arızası. 	<ul style="list-style-type: none"> ■ Zincir üzerindeki sürücü bağlantılarının tam olarak dişli üzerine oturduğundan emin olarak zinciri yeniden takın. ■ Talaş artıkları, zincir geri tepme fren kolunun tam hareketini engelliyor. ■ Tamir için EGO Müşteri Hizmetleri ile irtibata geçin.

SORUN	SEBEP	ÇÖZÜM
Elektrikli testere düzgün kesmiyor.	<ul style="list-style-type: none"> ■ Yetersiz zincir gerginliği. ■ Körelmiş zincir. ■ Zincir geriye doğru takılmış. ■ Aşınmış zincir. ■ Kuru veya aşırı gerilmiş zincir. 	<ul style="list-style-type: none"> ■ Hızlı zincir gerginliği ayar topuzunu en az iyi tur saat yönünün tersine çevirerek gevşetin ve ardından zincir doğru şekilde gerdirilene kadar saat yönünde çevirerek tamamen sıkın. ■ Aşağıdaki “KESİCİLER NASIL BİLENİR” bölümü izleyerek zincir kesici uçlarını bileyin. ■ “PALA VE ZİNCİRİN BİRLEŞTİRİLMESİ/ DEĞİŞTİRİLMESİ” bölümüne göre testere zincirini yeniden takın. ■ Aküyü çıkarın ve “PALA VE ZİNCİRİN BİRLEŞTİRİLMESİ/DEĞİŞTİRİLMESİ” bölümünü izleyerek testere zinciri değiştirin. ■ Yağ tankındaki yağ seviyesini kontrol edin. Gerekirse yağ tankını doldurun.
Zincir paladan düşüyor.	<ul style="list-style-type: none"> ■ Yetersiz zincir gerginliği. ■ Zincir, sürücü dişlisine geçmiyor. 	<ul style="list-style-type: none"> ■ Hızlı zincir gerginliği ayar topuzunu en az iyi tur saat yönünün tersine çevirerek gevşetin ve ardından zincir doğru şekilde gerdirilene kadar saat yönünde çevirerek tamamen sıkın. ■ Zincir üzerindeki sürücü bağlantılarının “PALA VE ZİNCİRİN BİRLEŞTİRİLMESİ/ DEĞİŞTİRİLMESİ” bölümünü izleyerek tam olarak dişli üzerine oturduğundan emin olarak zinciri yeniden takın.
Pala ve zincir ısınıyor ve duman çıkıyor.	<ul style="list-style-type: none"> ■ Zincir yağ tankı boş. ■ Pala oluğunda talaş artıkları var. 	<ul style="list-style-type: none"> ■ Zincir ve palanın yağlanması. ■ Oluktaki artıkları temizleyin.

GARANTİ

EGO GARANTİ POLİTİKASI

EGO Garanti politikasına ilişkin tüm hüküm ve koşullar için, lütfen egopowerplus.com adresindeki web sitemizi ziyaret edin.

TR

LUGEGE KÕIKI JUHISEID!



LUGEGE KASUTUSJUHENDIT

⚠ Kaasnev risk! Inimesed, kes kasutavad elektroonilisi seadmeid, nt südamestimulaatorit, peaksid enne selle toote kasutamist konsulteerima oma arstiga. Elektriseadmete kasutamine südamestimulaatori läheduses võib põhjustada südamestimulaatori häireid või rikkeid.

OHUTUSSÜMBOL

Ohutussümbolite eesmärk on pöörata tähelepanu võimalikele ohtudele. Ohutussümbolitele ja nende juures olevatele seletustele tuleb korralikult tähelepanu pöörata ja need endale selgeks teha. Ohutussümbolid isenesest ei

kõrvalda ohu olemasolu. Nendega kaasnevad juhendid ja hoiatused ei asenda asjakohaseid õnnetuste ennetamise meetmeid.

⚠ HOIATUS! Enne käesoleva seadme kasutamist lugege kindlasti läbi ja tehke endale selgeks kõik Kasutusjuhendis toodud ohutusjuhised, sh kõik ohutussümbolid nagu „OHT,” „HOIATUS,” ja „ETTEVAATUST”. Kui kõiki allpool loetletud juhiseid ei järgita, võib tagajärjeks olla elektrilöök, tulekahju ja/või tõsised isikuvigastused.

SÜMBOLITE TÄHENDUSED

Sel lehel on kujutatud ja kirjeldatud ohutussümboliteid, mida võib käesolevalt tootel leida. Enne seadme kokkupanemist ja kasutamist lugege, tehke omale selgeks ja järgige kõiki juhiseid.

OHUTUSSÜMBOLID



Ohutusteade



Kandke kaitseprille



Kandke tugevat peakatet



Juhtlatt



Juhtlatti tipu tagasilöökk



Mitte jätta vihma kätte.



Elektriseadmete jäätmeid ei tohi visata olmejäätmete hulka. Viige volitatud taaskäitleja juurde.

V Volti



Alalisvool



Et vähendada vigastuste ohtu, peab kasutaja enne toote kasutamist lugema kasutusjuhendit ja selle endale selgeks tegema.



Kasutage kuulmiskaitsevahendeid



Kandke kaitsekindaid



Ärge kasutage kettsaagi ühe käega.



Kasutage kettsaagi alati kahe käega.



Pöörake tähelepanu kettsae tagasilöögile ja vältige kokkupuudet juhtlatti otsaga.



Müra

min⁻¹ Pööret minutis

CE CE

ET

SPETSIFIKATSIOONID

Pinge	56 V	
Soovituslik töökeskkonna temperatuur:	-15°C-40°C	
Soovituslik hoiustamise temperatuur:	-20°C-70°C	
Optimaalne laadimistemperatuur	5 °C-40 °C	
Saeketi kiirus	20 m/s	
Ketisamm	9,5 mm	
Keti mõõdik	1,3 mm	
Saeketi tüüp	91PX062X 90PX056X 90PX052X	
Juhtlatti tüüp	180SDEA041 164MLEA041 144MLEA041	
Keti õlimahuti maht	200 ml	
Kaal (ilma akuploki ja keti kaitseta)	4,4kg	
Möödetud helivõimsuse tase L_{WA}	103,53 dB(A) K=1,17 dB(A)	
Helirõhk seadme operaatori kõrva juures L_{PA}	92,53 dB(A) K=3,0 dB(A)	
Garanteeritud helivõimsuse tase L_{WA} (vastavalt direktiivile 2000/14/EÜ)	105 dB(A)	
Vibratsioon a_h	Eesmine käepide	5,158 m/s ² K=1,5 m/s ²
	Tagumine käepide	5,537 m/s ² K=1,5 m/s ²

- Esitatud vibratsioonitaseme näit on möödetud standardsete testmeetodite kohaselt ja seda võidakse kasutada erinevate tööriistade võrdlemiseks.
- Esitatud vibratsioonitaseme näitu võib kasutada ka algse kokkupuutehinnangu andmiseks.

MÄRKUS! Tegelikul kasutamisel tekkinud vibratsioonitase võib esitatust erineda; turvalisuse eesmärgil peaks seadme kasutaja tegelikes kasutusolukordades kandma kindaid ja kuulmiskaitseid.

KIRJELDUS

TUNNE OMA KETTSAAGI (joon. 1)

1. Määrdeava
2. Juhtlatti
3. Sae kett

4. Õlipaagi kork
5. Keti tagasilöögiduri hoob
6. Eesmine käepide
7. Akuvabastusnupp
8. Lukustusnupp
9. Kiiruse reguleerimise päästiklülit
10. Elektrikontaktid
11. Väljutusmehhanism
12. Õlinivoo kontrollaken
13. Tagumine käepide
14. LED nupp
15. LED-esituled
16. Hambuline tugiraud
17. Keti pinge kiire reguleerimise nupp
18. Küljekate
19. Keti kaitse

PAKENDI LOEND

OSA NIMI	KOGUS
Kettsae tööriistapea	1
Sae kett	1
Juhtplaat	1
Keti kaitse	1
Kasutusjuhend	1

KOKKUPANEK

LATI JA KETI KOKKUPANEK/VÄLJAVAHETAMINE

⚠ HOIATUS! Enne seadme kokkupanekut saadke keti tagasilöögiduri hoob pidurdusasendisse.

1. Pange kettsae tööriistapea külili nii, et küljekate jääb ülespoole (joon. 2).
2. Eemaldage küljekate, keerates keti pinge kiire reguleerimise nuppu vastupäeva.
3. Saadke uus kett siledal pinnal silmuseks ja saadke kõik ebatasasused sirgeks.
4. Asetage keti veolülid juhtlatti soone sisse ja tehke juhtlatti tagaosas ketist silmus (joon. 3)

3-1	Keti veolülid
3-2	Juhtlatti soon

5. Hoidke ketti juhtlatti ja asetage silmus ümber tööriistapea ketiratta (joon. 4).

ET

MÄRKUS! Sae ketile ja tööriistapeale on graveeritud väikesed suunavad nooled. Sae keti juhtlati peale panemisel veenduge, et ketil olevate noolte suund ühtib tööriistapeal oleva noole suunaga.

6. Pange küljekate tagasi ja keerake keti pinge kiire reguleerimise nupp täiesti kinni. Küljekattes olev eksstsentiline ülekanne on loodud tagamaks, et ketti ei saa üle pingutada.
7. Reguleerige keti tagasilöögiduri hoob tööasendisse ja seejärel liigutage ketti käsitsi, et kontrollida, et kett on korrektselt paigaldatud ja ei kiilu kinni. Vastasel juhul pange kett ja latt uuesti kokku.

MÄRKUS! Juhtlati külge on kruviga kinnitatud reguleerimisplaat. Kui juhtlati on vaja välja vahetada, siis eemaldage reguleerimisplaat juhtlati küljest ja pange see uue juhtlati külge, nagu on näidatud joon. 5.

SEADME KASUTAMINE

RAKENDUSALA

Seda saagi võib kasutada puude langetamiseks, laasimiseks, kärpimiseks või tükeldamiseks.

MÄRKUS! Seadet tohib kasutada vaid käesolevas juhendis lubatud eesmärgil. Igasugust muud kasutat loetakse väärkasutuseks.

AKUPLOKI PAIGALDAMINE/EEMALDAMINE

Laadige enne esimest kasutamist täielikult.

Kasutage ainult järgnevalt nimetatud EGO akuplokke ja laadureid:

AKU	LAADUR
BA1120E, BA2240E, BA1400, BA2800, BA3360, BA4200, BA1400T, BA2800T, BA4200T, BA5600T	CH2100E, CH5500E

Paigaldamiseks

ET

Joondage aku sooned paigaldusavadega ja suruge akuplokki alla, kuni kuulete klõpsatust (joon. 6).

Eemaldamiseks

Vajutage akuvabastusnuppu ja tõmmake akuplokk välja (joon. 7).

LED-ESITULED

LED-esituli (joon. 1-15) asub kettsae tööriistapea ees. See annab lisavalgust, et parandada nähtavust ja tuld saab seadistada kahele ereduse tasemele.

Tulede sisselülitamiseks vajutage üks kord LED nuppu (joon. 1-14). Esituled tagavad ereda valguse kettsae ette.

Teist korda LED nuppu vajutades hakkavad esituled veelgi eredamalt põlema.

Esitulede väljalülitamiseks vajutage LED nuppu kolmandat korda.

KETTSAE KÄIVITAMINE/SEISKAMINE

Enne kettsae käivitamist

MÄRKUS! Enne kettsae käivitamist kontrollige keti pinge reguleeritust ja õlitaset, saehammaste teravust ja tagasilöögiduri toimivust. Lisaks tuleb töötada kindlal maapinnal ja piisaval kõrgusel maapinnast.

Käivitamiseks

1. Tõmmake keti tagasilöögiduri hooba eesmise käepideme poole tööasendisse
2. Võtke kindlalt eesmisest ja tagumisest käepidemest kinni, kasutades mõlemat kätt.
3. Vajutage ja hoidke all lukustusnuppu ja seejärel pigistage sae käivitamiseks kiiruse reguleerimise päästiklülitit. Keti kiirus suureneb sedamööda kui suure survega kiiruse reguleerimise päästiklülitit vajutatakse.
4. Vabastage lukustusnupp ja töö jätkamiseks vajutage endiselt ka kiiruse reguleerimise päästiklülitit.

Korrektne käepidemetest hoidmise viis (joon. 8)

- Võimalikult tugeva haarde ja turvalisuse tagamiseks kasutage mittelibisevast materjalist kindaid.
- Asetage saag kindlale ja tugevale tasasele pinnale ning hoidke seda kahe käega.
- Võtke alati vasaku käega eesmisest käepidemest ja parema käega tagumisest.
- Asetage sõrmed ümber käepideme nii, et põial on eesmise käepideme all.

⚠ HOIATUS! Ärge kunagi töötage vasakukäelise haardega (käed risti) ega niisuguse hoiakuga, mille puhul teie keha või käsi jääb saeketi liikumistrajektoori kohale (joon. 9).

Õige tööasend (joon. 10)

- Mõlemad jalad tuleb toetada tugevale pinnale ja raskus peab jalgade vahel ühtlaselt jagunema.
- Vasak käsi peab olema sirge ja küünarnukk fikseeritud. Nii suurendate tagasilöögiga tekkivate jõudude taluvust.
- Teie keha peaks alati olema ketist vasakul.

LÕIKAMINE

Lõikamine

- Esmakordne kasutaja peaks harjutama palkide lõikamist saagimispukil või sarnasel tugiraamil.

- Lõikamise alustamiseks vajutage juhtlatt kergelt vastu puitu. Kasutage ainult kergest survet ja laske sael töö ära teha.
- Hoidke kogu lõike ajal ühtlast kiirust, vabastades survet veidi enne lõike lõpetamist.

⚠ HOIATUS! Kui peatate sae sest tunnete saagimise ajal kinni jäämist, vabastage päästik; eemaldage sae kett ja juhtlatt puidu küljest ning käivitage saag uuesti.

⚠ HOIATUS! Ärge tõmmake saepuru vahele kinni jäänud sae ketti käega.

⚠ HOIATUS! Ärge hoidke saagi käivitamise ajal puidu vastas. Ärge puudutage puitu kettsaega enne, kui saag on saavutanud maksimaalse töökiiruse.

PUU LANGETAMINE

- Kui puu järkamise ja langetamisega tegelevad korraga mitu inimest, peab langetamiskoht jääma järkamiskohast vähemalt kahekordse langetatava puu pikkuse kaugusele. Puude langetamisel ei tohi seada ohtu inimesi või kommunaalliniga ega põhjustada varalisi kahjusid. Kui puu siiski satub kontakti kommunaalliniga, teavitage asjakohaseid asutusi viivitamatult.
- Künkal töötades peab sae kasutaja seisma puust kõrgemal, sest tõenäoliselt kukub või veereb langetatav puu künkast alla.
- Enne langetamist tuleks planeerida, millist eemaldumisteed saab vajadusel kasutada, ning vabastada see tee takistustest. Taganemistee peaks jääma otse ja diagonaalselt eeldatavast kukkumissuunast vastupidisesse suunda, nagu on näidatud joonisel 11.

11-1	Puulangetussuund
------	------------------

- Enne langetustööde alustamist võtke arvesse puu loomulikku kallet, puu suuremate okste paiknemist ning tuule suunda ja arvestage selle järgi, kuhu poole puu võiks kukkuma hakata.
- Eemaldage puult mustus, lahtine puukoor, naelad, klambrid ja traadid.

Altlõikega sälkamine

Tehke sälk 1/3 puu diameetri ulatuses langemissuunaga risti, nagu näidatud joonisel 12. Esmalt tehke alumine horisontaalne sälk. Nii väldite saeketi või juhtlatti kinnikiilumist teise sälgu tegemise ajal.

Tagalõige langetamisel

- Tehke puulangetamisel tagalõige horisontaalsest sälgust vähemalt 50 mm kõrgemal, nagu näidatud joonisel 12-3.

12-1	Langemissuund	12-3	Tagalõige langetamisel
12-2	Sälk	12-4	Hing

Jälgige, et tagalõige oleks eesmise horisontaalse sälguga paralleelne. Tehke tagalõige selliselt, et jääks alles piisav kogus puitu, mis toimiks hingena. Hingetükk hoiab ära puu keerdumise ning vales suunas kukkumise. Ärge lõigake hinge läbi.

- Kui jõuate langetamislõikega hinge lähedale, peaks puu kukkuma hakkama. Kui on väikenegi võimalus, et puu ei lange soovitud suunas või võib tagasi painduda ja sae keti kinnikiilumist põhjustada, katkestage saagimine enne, kui langetamise tagalõige on lõpetatud ja lõpetage langetustöö puidust, plastikust või alumiiniumist kiilude abil, et suunata puu soovitud suunda.
- Kui puu hakkab langema, võtke kettsaag lõike seest ära, seisake mootor, pange saag maha ja eemalduge plaanitud rada mööda. Jälgige kukkuda võivaid oksa ja oma jalgeesist.

Laasimine

Laasimise käigus eemaldatakse kukkunud puu oksad Laasimisel jätke alguses alles alumised jämedad oksad, mis hoiavad tüve maapinnast kõrgemal. Eemaldage väiksed oksad ühe lõikega, nagu näidatud joonisel 13. Kettsae kinnikiilumise vältimiseks tuleks pinge all olevaid oksa lõigata alt üles.

Palgi järkamine

- Järkamise korral lõigatakse palk juppideks. Selle töö puhul on oluline, et teie jalgealune oleks kindel ning keharaskus oleks jalgade vahel võrdselt jaotatud. Võimalusel tuleks langenud puu ots üles tõsta ja toetada okste, palkide või kiiludega. Järgige kerge lõikamise lihtsaid juhiseid.
- Kui palk on toetatud kogupikkuses, nagu on näidatud joonisel 14, alustatakse lõikamist pealtpoolt (ülalt järkamine).
- Kui palk on toetatud ühest otsast, nagu näidatud joonisel 15, lõigake kõigepealt 1/3 läbimõõdust altpoolt (alt järkamine). Seejärel tehke ülaltlõige kuni esimese lõikeni.
- Kui palk on toetatud mõlemast otsast, nagu näidatud joonisel 16, lõigake kõigepealt 1/3 läbimõõdust ülaltpoolt (ülalt tükeldamine). Seejärel tehke altlõige kuni esimese lõikeni.
- Künkal järkamisel seiske alati palgist kõrgemal, nagu on näidatud joonisel 17.
- Kontrolli säilitamiseks "läbi lõikamisel" vähendage survet lõike lõpuosas, lõdvendamata sealjuures kettsae käepidemete haaret. Vältige keti kontakti maapinnaga. Pärast lõike lõpetamist ja enne edasi liikumist oodake, kuni saag seiskub. Ühe puu juurest teise juurde liikumiseks jätke saag alati seisma.

ET

HOOLDUS

LATI JA KETI MÄÄRDEAINE LISAMINE

MÄRKUS! Ostetud saag ei ole algselt õliga täidetud. Enne esmakasutust tuleb õlipaak kindlasti täita. Ketti õlitatakse töö käigus ketiõliga automaatselt.

1. Pange kettsaag küllili nii, et õlipaagi kork jääb ülespoole.
2. Puhastage kork ning selle ümbrus ja avamiseks keerake korki vastupäeva (joon. 18).
3. Valage eriotstarbelist õli ettevaatlikult paaki, kuni nivoo tõuseb filterkaela alumise ääreni.
4. Pühkige ära üleliigne õli ja keerake kork tagasi.

MÄRKUS! Püstises asendis sael peaks õlinivoo ulatuma kontrollakna ülemise ääreni. Kui õli pole kontrollaknas enam näha, lõpetage seadme kasutamine viivitamatult ja lisage õli.

PUHASTAMINE

- Pärast iga kasutuskorda puhastage kett ja juhtlatt pehme harjaga. Pühkige sae pind puhta, lahja seebilahusega niisutatud lapiga puhtaks.
- Eemaldage küljekate ja puhastage juhtlatt, sae kett, ketiratas ja küljekate pehme harjaga mustusest.
- Saeketi vahetamisel eemaldage juhtlati soonest alati puidutükid, saepuru ja mustus.

JUHTLATI HOOLDAMINE

Kui juhtlatt on kulunud, eemaldage see kettsae tööriistapea küljest ja pange see teistpidi tagasi (joon. 19) - nii saab kulumist jaotada ja seega lati maksimaalset eluiga ära kasutada.

Latti tuleks igapäevaselt puhastada ning pärast puhastamist kontrollida ega see kulunud või kahjustatud pole. Lati relside narmastumine või karestumine on normaalne kulumisprotsess. Sellised nähud tuleks ilmnenisel kohe viiliga siluda. Allpool mainitud vigadega latti tuleb välja vahetada.

- Lati relside niisugune kulumine, mille tõttu võib kett küllili minna.
- Paindunud juhtlatt.
- Mõranenud või katkised relsid.
- Laiali vajuunud relsid.

Lisaks asub juhtlati tipu juures ketiratas (joon. 20-1). Juhtlati tööea pikendamiseks tuleb ketiratast igal nädalal õlisüstla abil õlitada (joon. 21). Iganädalasel määrimisel kasutage ketiõliga täidetud õlisüstalt ja sisestage õli läbi määrideava (joon. 20-2). Pöörake juhtlati ja veenduge, et määrideavad ja keti soon on puhtad ja korras.

KETI HOOLDUS

Selle saega tohib kasutada ainult nõrga tagasilöögiiga kette. Õigesti hooldatud kiire saekett vähendab tagasilööki.

Korralikult teritatud saekett lõikab puitu vähesel vaevaga ka siis, kui rakendada väga väikest jõudu. Ärge kasutage nööri või kahjustatud saeketti. Nööri saekett põhjustab suuremat füüsilist pinget, tugevamat vibratsiooni, mitterahuldavaid lõikamistulemusi ja suuremat kulumist.

Sujuvaks ja kiireks lõikamiseks tuleb ketti korralikult hooldada. Kett vajab teritamist, kui saagimise tulemusena tekki saepuru koosneb väikestest ja pulbrilistest tükkidest, ketti peab lõikamise ajal puidust läbi suruma või kett lõikab ühelt küljelt. Keti hooldamise käigus pidage silmas järgnevat.

- Vale nurga all paigaldatud külglaplaad võib tekitada tugeva tagasilöögi ohu.
- Räsa (sügavusmöödiku) kliirens. Liiga väike kliirens suurendab tagasilöögi tõenäosust. Liiga suur kliirens vähendab lõikevõimet.
- Kui lõikehambad puutuvad vastu kõvasid objekte, näiteks vastu naelu või kivisid, või kuluvad puul oleva muda või liivaga kokku puutumise tulemusena, laske kvalifitseeritud hooldustehnikul ketti teritada.

TRANSPORTIMINE JA HOUSTAMINE

- Ärge transportige ega hoiustage töötavat kettsaagi. Hooldamise ja transportimise ajaks eemaldage alati akuplokk.
- Enne kettsae hoiustamist ja transportimist pange juhtlati ja keti peale alati juhtlati kaitse. Olge ettevaatlik ja vältige keti teravaid hambaid.
- Enne hoiustamist puhastage saag hoolikalt. Hoidke saagi sisetingimustes, kuivas, lukustatud ja lastele kättesaamatus kohas.
- Hoidke seda eemal korrodeerivatest ainetest (nt aiakemikaalid ja jääsulatussoolad).

Keskonnakaitse



Elektri- ja elektroonikaseadmetest tekkinud jäätmete direktiiv (WEEE)

Ärge visake elektriseadmeid, akulaadurit ega patareisisid/akusid olmeprügi hulka! Viige toode volitatud taaskäitleja juurde ja võimaldage selle komponendid sorteerituna kõrvaldada. Elektri- ja elektroonikaseadmete jäägid viige keskkonnakaitsekeskusesse.

ET

TÖRKEOTSING

PROBLEEM	PÕHJUS	LAHENDUS
Mootor ei käivitu.	<ul style="list-style-type: none"> ■ Akuplokk pole kettsaaga ühendatud. ■ Sae ja aku vahel puudub elektriline ühendus. ■ Akuplokk on tühi. ■ Akuplokk või kettsaag on liiga kuum. ■ Ketipidur on aktiivne. ■ Lati soones on mustust. ■ Külgakattes on mustust. 	<ul style="list-style-type: none"> ■ Kinnitage akuplokk sae külge. ■ Eemaldage aku, kontrollige ühendusi ja pange akuplokk tagasi. ■ Laadige akuplokki. ■ Jahutage akuplokki või kettsaagi, kuni temperatuur langeb alla 67°C. ■ Tõmmake keti tagasilöögipiduri hooba eesmise käepideme poole tööasendisse. ■ Mustuse eemaldamiseks suruge sae kett vastu puitu ning liigutage saagi edasi-tagasi. ■ Eemaldage akuplokk ning seejärel küljekate ja puhastage seade mustusest.
Kettsaag seiskub töö käigus.	<ul style="list-style-type: none"> ■ Kettsaag on ülekoormatud. ■ Akuplokk või kettsaag on liiga kuum. ■ Sae kett on puidu sisse kinni jäänud. 	<ul style="list-style-type: none"> ■ Vähendage koormust. ■ Vähendage koormust. Jahutage akuplokki või kettsaagi, kuni temperatuur langeb alla 67°C. ■ Vabastage päästiklülitit; eemaldage sae kett ja juhtlatt puidust ning käivitage kettsaag uuesti.
Mootor töötab, aga kett ei käi ringi.	<ul style="list-style-type: none"> ■ Kett ei haaku ketirattaga. ■ Mustus takistab keti tagasilöögipiduri hoova täies ulatuses liikumist. ■ Võimalik ketipiduri rike. 	<ul style="list-style-type: none"> ■ Paigaldage kett uuesti, jälgides, et kõik selle veolülid on korrektselt ketirattale paigutatud. ■ Mustus takistab keti tagasilöögipiduri hoova täies ulatuses liikumist. ■ Küsige abi EGO hoolduskeskusest.

PROBLEEM	PÕHJUS	LAHENDUS
Kettsaag ei lõika korralikult.	<ul style="list-style-type: none"> ■ Ebapiisav keti pinge. ■ Lõtv kett. ■ Kett on paigaldatud tagurpidi. ■ Kulunud kett. ■ Kuiv või liigselt pinguldatud kett. 	<ul style="list-style-type: none"> ■ Esmalt vabastage keti pinge kiire reguleerimise nuppu vähemalt kaks pööret vastupäeva ja seejärel keerake see päripäeva täiesti kinni, kuni kett on korrektselt pingutatud. ■ Teritage keti lõikehambaid, järgides jaotist „KUIDAS TERITADA LÕIKEHAMBAID“. ■ Pange sae kett uuesti peale, järgides juhiseid jaotises „JUHTLATI JA KETI KOKKUPANEK/VÄLJAVAHETAMINE“. ■ Vahetage sae kett välja, järgides juhiseid jaotises „JUHTLATI JA KETI KOKKUPANEK/VÄLJAVAHETAMINE“. ■ Kontrollige õlitaset õlipaagis. Vajadusel lisage õli.
Kett kukub juhtlatilt maha.	<ul style="list-style-type: none"> ■ Ebapiisav keti pinge. ■ Kett ei haaku ketirattaga. 	<ul style="list-style-type: none"> ■ Esmalt vabastage keti pinge kiire reguleerimise nuppu vähemalt kaks pööret vastupäeva ja seejärel keerake see päripäeva täiesti kinni, kuni kett on korrektselt pingutatud. ■ Pange sae kett uuesti peale, järgides juhiseid jaotises „JUHTLATI JA KETI KOKKUPANEK/VÄLJAVAHETAMINE“, jälgides, et kõik keti veolülid on korrektselt ketirattale paigutatud.
Latt ja kett on kuumad ja suitsevad.	<ul style="list-style-type: none"> ■ Keti õlimahuti on tühi. ■ Juhtlati soones on mustust. 	<ul style="list-style-type: none"> ■ Lati ja keti määrdeaine lisamine. ■ Eemaldage soones olev mustus.

GARANTII

EGO GARANTIIPÕHIMÕTTED

Täielikud EGO garantitingimused leiate veebilehelt egopowerplus.com.

ET

ПРОЧИТАЙТЕ ВСІ ІНСТРУКЦІЇ!**ПРОЧИТАЙТЕ ПОСІБНИК З ЕКСПЛУАТАЦІЇ**

⚠ Залишковий ризик! Люди з електронними пристроями, наприклад кардіостимуляторами, повинні проконсультуватися зі своїм лікарем (лікарями) перед використанням цього виробу. Експлуатація електрообладнання в безпосередній близькості від кардіостимулятора може спричинити перешкоди або несправність кардіостимулятора.

СИМВОЛ БЕЗПЕКИ

Мета символів, пов'язаних із безпекою, – привертати вашу увагу до можливих небезпек. Символи безпеки та їхнє пояснення заслуговують на вашу пильну увагу та розуміння. Символи попереджень самі по

собі не усувають будь-якої небезпеки. Інструкції та попередження, які вони надають, не замінюють належних заходів щодо запобігання аваріям.

⚠ ПОПЕРЕДЖЕННЯ. Перш ніж користуватися цим інструментом, обов'язково ознайомтеся з усіма інструкціями з безпеки, наведеними в цьому посібнику користувача, зокрема з усіма символами попереджень, такими як «**НЕБЕЗПЕКА**», «**ПОПЕРЕДЖЕННЯ**» та «**ЗАСТЕРЕЖЕННЯ**». Недотримання наведених нижче вказівок може спричинити ураження електричним струмом, пожежу та/або серйозні травми.

ЗНАЧЕННЯ СИМВОЛУ

На цій сторінці зображено та описано символи, пов'язані з безпекою, які можуть відображатись на цьому виробі. Перш ніж намагатися зібрати та експлуатувати його, ознайомтеся з усіма інструкціями на інструменті та дотримуйтеся їх.

СИМВОЛИ, ЩО СТОСУЮТЬСЯ БЕЗПЕКИ

Попередження щодо безпеки



Надягайте засоби захисту очей



Надягайте засоби захисту голови



Напрямна шина



Віддача напрямної шини



Не залишайте під дощем.



Відходи електричних виробів не слід викидати разом із побутовим сміттям. Зверніться до авторизованого пункту переробки.

V

Вольти



Постійний струм



Щоб зменшити ризик травми, користувач повинен ознайомитися з інструкцією користувача перед використанням цього виробу.



Надягайте засоби захисту органів слуху



Надягайте захисні рукавиці.



Не використовуйте ланцюгову пилу однією рукою



Завжди використовуйте ланцюгову пилу обома руками



Остерігайтесь віддачі ланцюгової пили й уникайте контакту з верхньою частиною ланцюга.



Шум

min⁻¹


Обертів на хвилину



CE

UK

ТЕХНІЧНІ ХАРАКТЕРИСТИКИ

Напруга	56 В 	
Діапазон рекомендованих робочих температур:	-15°C-40°C	
Діапазон рекомендованих температур зберігання:	-20°C-70°C	
Оптимальна температура заряджання	5 °C-40 °C	
Швидкість ланцюга	20 м/с	
Крок ланцюга	9,5 мм	
Калібр ланцюга	1,3 мм	
Тип пильного ланцюга	91PX062X 90PX056X 90PX052X	
Тип напрямної шини	180SDEA041 164MLEA041 144MLEA041	
Об'єм оливної бачка ланцюга	200 мл	
Вага (без акумулятора, футляра ланцюга)	4,4кг	
Вимірний рівень звукової потужності L_{WA}	103,53 дБ(A) K=1,17 дБ(A)	
Рівень звукового тиску на місці вуха оператора L_{PA}	92,53 дБ(A) K=3,0 дБ(A)	
Гарантований рівень звукової потужності L_{WA} (відповідно до 2000/14/EC)	105 dB(A)	
Вібрація a_h	Передня ручка	5,158 м/с ² K=1,5 м/с ²
	Задня ручка	5,537 м/с ² K=1,5 м/с ²

UK

- Вказане загальне значення вібрації виміряне за стандартним методом тестування і може використовуватися для порівняння одного інструмента з іншим;
- Заявлене сумарне значення вібрації може також використовуватись для попередньої оцінки впливу.

ПРИМІТКА. Емісія вібрації під час фактичного використання електроінструмента може відрізнятися від заявленої величини, у якій використовується інструмент. Щоб захистити оператора, користувач повинен одягати рукавички та захисні навушники в реальних умовах використання.

ОПИС

ОЗНАЙОМЛЕННЯ З ЛАНЦЮГОВОЮ ПИЛОЮ (рис. 1)

1. Змашувальний отвір
2. Напрямна шина
3. Пильний ланцюг
4. Кришка масляного бака
5. Ручка гальма віддачі ланцюга
6. Передня ручка
7. Кнопка розблокування батареї
8. Кнопка блокування
9. Пусковий перемикач зі змінною швидкістю
10. Електричні контакти
11. Механізм викидання
12. Віконце для перевірки мастила
13. Задня ручка
14. Кнопка зі світлодіодним індикатором
15. Світлодіодні фари
16. Упорні зубці
17. Ручка швидкого регулювання натягу ланцюга
18. Бічна кришка
19. Футляр ланцюга

ПАКУВАЛЬНИЙ СПИСОК

НАЗВА ДЕТАЛІ	КІЛЬКІСТЬ
Приводна головка ланцюгової пили	1
Пильний ланцюг	1
Напрямна шина	1
Футляр ланцюга	1
Посібник користувача	1

ЗБИРАННЯ

УСТАНОВЛЕННЯ/ЗАМІНА ШИНИ ТА ЛАНЦЮГА

▲ ПОПЕРЕДЖЕННЯ. Перед складанням відрегулюйте ручку гальма віддачі в положенні гальмування.

1. Покладіть приводну головку ланцюгової пили набік бічною кришкою вгору (рис. 2).
2. Зніміть бічну кришку, повернувши ручку швидкого регулювання натягу ланцюга проти годинникової стрілки.
3. Розкладіть новий пильний ланцюг по колу на рівну поверхню і вирівняйте будь-які перекручування.

- Установіть приводні ланки ланцюга в паз напрямної шини та з'єднайте ланцюг колом ззаду напрямної шини (рис. 3).

3-1	Ланки приводного ланцюга
3-2	Паз напрямної шини

- Тримайте ланцюг у положенні на напрямній шині та розташуйте петлю навколо зірочки приводної головки (рис. 4).

ПРИМІТКА. Маленькі напрямні стрілки вигравірувані на пильному ланцюзі та приводній головці. Надягаючи пильний ланцюг на напрямну шину, переконайтеся, що напрямок стрілок на пильному ланцюзі відповідає напрямку стрілки на приводній головці.

- Установіть бічну кришку й повністю затягніть ручку швидкого регулювання натягу ланцюга. Ексцентрикове зубчасте колесо всередині бічної кришки спроектовано таким чином, щоб ланцюг не був натягнутий надмірно
- Установіть ручку гальма віддачі ланцюга в робоче положення, а потім поверніть ланцюг рукою, щоб перевірити, чи ланцюг зібрано правильно, без заїдання. В іншому разі зберіть ланцюг і шину заново.

ПРИМІТКА. Є регульовальна пластина, з'єднана з напрямною шиною за допомогою гвинта. Якщо необхідно замінити напрямну шину, зніміть регульовальну пластину з напрямної шини та встановіть її на нову напрямну шину, як показано на рис. 5

ЕКСПЛУАТАЦІЯ

ЗАСТОСУВАННЯ

Ви можете використовувати цей виріб для базового зрубання дерев, обрізання сучків, різання деревини та обробки лісоматеріалів та дерев.

ПРИМІТКА. Цей інструмент має використовуватись тільки за призначенням. Будь-яке інше використання вважається випадком використання не за призначенням

УСТАНОВЛЕННЯ І ВИДАЛЕННЯ АКУМУЛЯТОРА

Повністю зарядіть перед першим використанням.

Використовуйте лише акумулятори та зарядні пристрої EGO, перелічені нижче.

АКУМУЛЯТОР	ЗАРЯДНИЙ ПРИСТРІЙ
BA1120E, BA2240E, BA1400, BA2800, BA3360, BA4200, BA1400T, BA2800T, BA4200T, BA5600T	CH2100E, CH5500E

Установлення

Вирівняйте виступи на акумуляторі з кріпильними отворами та натисніть на акумуляторну батарею, доки не почуєте «кляцання» (рис. 6).

Видалення

Натисніть кнопку звільнення акумулятора та витягніть акумуляторну батарею (рис. 7).

СВІТЛОДІЮДНІ ФАРИ

Світлодіодна фара (рис. 1-15) розташована в передній частині приводної головки ланцюгової пили. Ця функція забезпечує додаткове освітлення для поліпшення видимості. Можна налаштувати 2 рівні яскравості.

Щоб увімкнути світло, натисніть кнопку LED (рис. 1-14) один раз. Фари забезпечують яскраве освітлення ділянки перед ланцюговою пилою. Натисніть кнопку LED вдруге, і фари світитимуть яскравіше.

Щоб вимкнути фари, натисніть кнопку LED втретє.

ЗАПУСК/ЗУПИНКА ЛАНЦЮГОВОЇ ПИЛИ

Перед запуском ланцюгової пили

ПРИМІТКА. Перед запуском ланцюгової пили перевірте ручку швидкого регулювання натягу ланцюга, рівень мастила, гостроту зубців та роботу ручки гальма віддачі. Також необхідно тримати рівновагу та належну відстань від землі.

Запуск

- Потягніть ручку гальма віддачі в напрямку передньої рукоятки в робоче положення
- Міцно тримайте передню і задню ручки обома руками.
- Спочатку натисніть і утримуйте кнопку блокування, а потім натисніть на пусковий перемикач для запуску пили. Швидкість ланцюга збільшується зі збільшенням тиску на пусковий перемикач зі змінною швидкістю.
- Відпустіть кнопку блокування та продовжуйте натискати пусковий перемикач зі змінною швидкістю для продовження роботи.

UK

Правильне тримання ручок (рис. 8)

- Носіть нековзні рукавички для максимального зчеплення і захисту.
- Поклавши пилу на міцну, рівну поверхню, міцно тримайте її обома руками.
- Завжди тримайте передню ручку лівою рукою, а задню ручку правою.

- Пальці мають охоплювати ручку, великий палець має бути під передньою ручкою.

⚠ ПОПЕРЕДЖЕННЯ. Ніколи не беріться лівою рукою за ручку (не перехрещуйте руки) і не приймайте положення, при якому ваше тіло або рука перетинало б лінію ланцюга (рис. 9).

Правильна постава для різання (рис. 10)

- Обидві ноги мають бути на твердій поверхні, при чому вага має бути рівномірно розподілена між ними.
- Ліва рука має бути прямою, лікоть зафіксований. Це допомагає протистояти силам, утвореним віддачею.
- Ваше тіло завжди має бути ліворуч від лінії ланцюга.

РІЗАННЯ

Базове різання

- Якщо ви користуєтесь виробом вперше, попрактикуйтесь у розпилюванні колод на пильних козлах або підставці.
- Почніть пиляти, злегка притискаючи напрямну шину до дерева. Застосовуйте тільки легкий тиск, що дає пилі змогу робити свою роботу
- Підтримуйте постійну швидкість під час пиляння, ослаблюючи тиск безпосередньо перед кінцем пиляння.

⚠ ПОПЕРЕДЖЕННЯ. Коли пильний ланцюг зупиняється через затискання під час різання, відпустіть тригерний вимикач; зніміть пильний ланцюг та напрямну шину з деревини, а потім знову запустіть ланцюгову пилу.

⚠ ПОПЕРЕДЖЕННЯ. Не тягніть ланцюгову пилу рукою, якщо в ній застрягла тирса.

⚠ ПОПЕРЕДЖЕННЯ. Ніколи не запускайте ланцюгову пилу, коли вона контактує з деревиною. Завжди давайте ланцюговій пилі досягти повної швидкості, перш ніж застосовувати пилу до деревини.

ЗРУБУВАННЯ ДЕРЕВА

- Якщо розпилювання та вирубування виконуються двома або більше особами одночасно, то операція вирубування має виконуватись окремо від операції розпилювання на відстані, що відповідає принаймні подвійній висоті дерева, що вирубується. Дерева не можна вирубувати таким способом, який може загрожувати будь-якій особі, пошкодити будь-яку комунікаційну лінію або заповдіяти майнову шкоду. Якщо дерево контактує з будь-якою комунікаційною лінією, про це слід негайно повідомити комунальну компанію.

- Оператор ланцюгової пили повинен стояти на схилі вище, оскільки дерево, імовірно, скотиться або сповзе вниз після вирубування.
- Слід запланувати та звільнити шлях евакуації, як це необхідно, перш ніж розпочинати зрізання. Шлях евакуації має проходити назад і по діагоналі, позаду від очікуваної лінії падіння, як показано на рис. 11.

11-1	Напрямок зрубування
------	---------------------

- Перед початком вирубування розгляньте природний нахил дерева, розташування великих гілок і напрямком вітру, щоб визначити, яким чином дерево впаде.
- Приберіть із дерева бруд, камені, вільну кору, цвяхи, скоби та дріт.

Виконання надрізу

Зробіть проріз на 1/3 діаметра дерева, перпендикулярно напрямку падіння, як показано на рис. 12. Спочатку зробіть вирізу нижньої горизонтальної виїмки. Це допоможе уникнути затискання ланцюга пили або напрямної штанги під час вирізання другої виїмки.

Пропил із протилежної сторони зрубування

- Виконайте пропил із протилежної сторони зрубування принаймні на 50 мм вище горизонтальної виїмки, як показано на рис. 12-3.

12-1	Напрямок падіння	12-3	Пропил із протилежної сторони зрубування
12-2	Виріз	12-4	Шарнір

Пропил з протилежного боку має бути паралельний горизонтальній виїмці. Зробіть пропил з протилежного боку вирубування так, щоб деревина діяла як шарнір. Він не дає дереву скручуватися та падати в неправильному напрямку. Не прорізайте шарнір.

- Коли спилування наближається до шарніра, дерево має почати падати. Якщо є ймовірність, що дерево може впасти не в потрібному напрямку або може перехилитися назад і затиснути пильний ланцюг, припиніть різання до повного розрізання вирубки та використовуйте клини із дерева, пластику або алюмінію, щоб відкрити пропил і повалити дерево по потрібній лінії падіння.
- Коли дерево починає падати, припиніть ланцюгову пилу з пропилю, зупиніть мотор, покладіть ланцюгову пилу, а потім відійдіть по запланованому шляху

відступу. Будьте обережні, коли падають верхні гілки, і добре стійте на ногах.

Зрізання гілок із дерева

Ідеться про зрізання гілок із поваленого дерева. Під час зрізання гілок більші ніжні гілки мають підтримувати колоду над землею. Видаліть маленькі гілки одним зрізом, як показано на рис. 13. Гілки під напругою слід зрізати знизу вгору, щоб уникнути затискання ланцюгової пили.

Розпилювання колоди

- Розпилювання – це розрізання колоди в довжину. Важливо міцно стояти на ногах і рівномірно розподілити свою вагу на обох ногах. Коли це можливо, колода має бути піднята і спиратися на гілки, колоди або підпори. Дотримуйтесь простих вказівок для легкого розрізання.
- Коли колода спирається по всій довжині, як показано на рисунку 14, вона розрізається з верхньої частини (надпилювання).
- Коли колода спирається на одному кінці, як показано на рис. 15, проріжте 1/3 діаметра з нижньої сторони (підпилювання). Потім зробіть остаточний надріз для з'єднання з першим прорізом.
- Коли колода спирається на обидва кінці, як показано на рис. 16, проріжте 1/3 діаметра з верхньої сторони (надпилювання). Потім зробіть остаточний надріз, підпилявши решту 2/3 для з'єднання з першим прорізом.
- Під час розпилювання на схилі завжди стійте вище відносно колоди, як показано на рис. 17.
- Під час «прорізання», щоб підтримувати повний контроль, відпустіть тиск різання біля кінця прорізу, не послабляючи хват ручок ланцюгової пили. Не допускайте контакту ланцюга із землею. Після завершення пиляння зачекайте, доки пильний ланцюг не зупиниться, перш ніж перемістити ланцюгову пилу. Завжди зупиняйте мотор, перш ніж переходити від одного дерева до іншого.

ОБСЛУГОВУВАННЯ

ДОДАВАННЯ МАСТИЛА ДЛЯ ШИНИ ТА ЛАНЦЮГА.

ПРИМІТКА. Ланцюгова пила не наповнена мастилом у момент покупки. Перед використанням необхідно заповнити бачок мастилом. Ланцюг автоматично змащується мастилом для ланцюга під час роботи.

1. Поставте ланцюгову пилу набік кришкою бачка для мастила вгору.
2. Очистьте кришку, а також ділянку навколо, а потім

поверніть її проти годинникової стрілки, щоб зняти (рис. 18).

3. Обережно наливайте спеціально розроблене мастило в бачок до досягнення нижньої частини фільтраційного отвору.
4. Протріть зайве мастило і встановіть на місце кришку.

ПРИМІТКА. У вертикальному положенні мастило має заповнювати оглядове віконце. Коли в оглядовому віконці мастила більше не видно, відразу припиніть використання і заправте.

ЧИЩЕННЯ

- Після кожного використання очистьте сміття з ланцюга та напрямної шини м'якою щіткою. Протріть поверхню ланцюгової пили чистою тканиною, змоченою м'яким розчином мила.
- Зніміть бічну кришку, а потім скористайтеся м'якою щіткою, щоб видалити сміття з напрямної шини, пильного ланцюга, зірочки та бічної кришки.
- Завжди вичищайте деревну стружку, пил і бруд із паза напрямної шини під час заміни пильного ланцюга.

ДОГЛЯД ЗА НАПРЯМНОЮ ШИНОЮ

Коли на напрямній шині з'являються ознаки зносу, зніміть її з приводної головки пили і перевіріть її для повторного розбирання та збирання (рис. 19). У цьому випадку знос буде розподілено для максимального строку служби шини.

Шину слід чистити кожен день після користування та перевіряти на предмет зносу та пошкодження. Утворення нальоту або задирок на рейках шини є нормальним процесом її зносу. Такі дефекти слід згладжувати напилком, щойно вони з'являться. Шину з будь-якими з наведених нижче дефектів слід замінити.

- Знос всередині рейок шини, що дає ланцюгу змогу лягати на бік.
- Зігнута напрямна шина
- Тріснуті або зламані рейки.
- Рейки, що розійшлися.

Крім того, напрямна шина має зірочку на кінці (рис. 20-1). Зірочку потрібно змащувати щотижня за допомогою масляного шприца, щоб продовжити термін служби напрямної шини (рис. 21). Використовуйте масляний шприц для щотижневого змащення маслом для ланцюга через змащувальний отвір (рис. 20-2). Поверніть напрямну шину та перевірте, чи в змащувальних отворах і пазах ланцюга немає забруднень.

ОБСЛУГОВУВАННЯ ЛАНЦЮГА

Використовуйте з цією пилою ланцюги з низькою віддачею. Цей швидкий різальний ланцюг забезпечить зменшення віддачі за умови правильного обслуговування.

Правильно заточений пильний ланцюг розрізає дерево без зусиль, навіть у разі дуже невеликого тиску.

Ніколи не використовуйте тупий або пошкоджений пильний ланцюг. Тупий різальний ланцюг приводить до збільшення фізичного навантаження, збільшення вібраційного навантаження, незадовільного результату різання та підвищеного зносу.

Для плавного і швидкого різання ланцюг необхідно обслуговувати належним чином. Ланцюг вимагає загострення, коли тирса дрібна і порошокоподібна, ланцюг необхідно силою проводити по дереву під час різання або ланцюг ріже з однієї сторони. Під час обслуговування ланцюга необхідно враховувати таке:

- Неправильне кут підпилювання бічної пластини може збільшити ризик серйозної віддачі.
- Зазор обмежувача глибини. Занадто малий зазор збільшує можливість віддачі. Недостатньо малий зазор зменшує різальну здатність.
- Якщо зубці різача натрапили на тверді предмети, такі як цвяхи і камені, або стерлися брудом чи піском на деревині, доручіть заточування ланцюга кваліфікованому технічному спеціалісту.

ТРАНСПОРТУВАННЯ ТА ЗБЕРІГАННЯ

- Не зберігайте та не переміщуйте ланцюгову пилу, коли вона працює. Завжди виймайте акумуляторну батарею перед зберіганням або транспортуванням.
- Завжди накладайте захисну оболонку на напрямну шину та ланцюг, перш ніж зберігати або транспортувати ланцюгову пилу. Будьте обережні, щоб уникати гострих зубців ланцюга.
- Перед зберіганням слід ретельно очистити ланцюгову пилу. Зберігайте ланцюгову пилу в місці, недоступному для дітей.
- Тримайте подалі корозійні агенти, такі як садові хімікати та солі проти ожеледі.

Захист довкілля



WEEE (відходи електричного та електронного устаткування)

Не викидайте електричне обладнання, акумулятор і зарядний пристрій у побутові відходи! Віднесіть цей виріб авторизованому переробнику й надайте його для роздільного збирання. Електроінструменти необхідно повернути в підприємство, що займається екологічно безпечною переробкою.

УСУНЕННЯ НЕСПРАВНОСТЕЙ

НЕСПРАВНІСТЬ	ПРИЧИНА	ВИРІШЕННЯ
Мотор не запускається.	<ul style="list-style-type: none"> ■ Акумуляторна батарея не приєднана до ланцюгової пили. ■ Немає електричного контакту між пилою та батареєю. ■ Акумуляторна батарея розряджена. ■ Акумулятор або ланцюгова пила занадто гарячі. ■ Гальмо ланцюга задіяне. ■ Сміття в пазу. ■ Сміття в бічній кришці 	<ul style="list-style-type: none"> ■ Під'єднайте акумулятор до ланцюгової пили. ■ Вийміть акумулятор, перевірте контакти та знову встановіть акумулятор. ■ Зарядіть акумуляторну батарею. ■ Дайте акумуляторній батареї або ланцюговій пилі охолонути, доки температура не опуститься нижче 67 °С. ■ Потягніть ручку гальма віддачі назад у напрямку передньої рукоятки в робоче положення. ■ Притисніть пильний ланцюг до дерева, переміщуйте ланцюгову пилу назад і вперед, щоб скинути сміття. ■ Вийміть акумуляторну батарею, потім зніміть бічну кришку та приберіть сміття.
Ланцюгова пила зупиняється під час роботи.	<ul style="list-style-type: none"> ■ Ланцюгова пила перевантажена. ■ Акумулятор або ланцюгова пила занадто гарячі. ■ Пильний ланцюг застряг у деревині. 	<ul style="list-style-type: none"> ■ Зменште навантаження. ■ Зменште навантаження. Дайте акумуляторній батареї або ланцюговій пилі охолонути, доки температура не опуститься нижче 67 °С. ■ Відпустіть тригерний перемикач; зніміть пильний ланцюг і напрямну шину з дерева, а потім знову запустіть ланцюгову пилу.
Мотор працює, але ланцюг не обертається.	<ul style="list-style-type: none"> ■ Ланцюг не зачіпляє приводну зірочку. ■ Сміття заважає повному руху ручки гальма віддачі ланцюга. ■ Можлива несправність гальма ланцюга. 	<ul style="list-style-type: none"> ■ Зніміть і встановіть на місце ланцюг, переконавшись, що приводні ланки ланцюга повністю розташовані на зірочці. ■ Сміття заважає повному руху ручки гальма віддачі ланцюга. ■ Зверніться до клієнтської служби EGO для ремонту.

НЕСПРАВНІСТЬ	ПРИЧИНА	ВИРІШЕННЯ
Ланцюгова пила не ріже належним чином.	<ul style="list-style-type: none"> ■ Недостатній натяг ланцюга. ■ Тупий ланцюг. ■ Ланцюг установленонавпаки. ■ Зношений ланцюг. ■ Сухий або надмірно натягнутий ланцюг. 	<ul style="list-style-type: none"> ■ Спочатку ослабте ручку швидкого регулювання натягу ланцюга, принаймні на два оберти проти годинникової стрілки, а потім повністю затягніть її за годинниковою стрілкою, доки ланцюг не буде правильно натягнуто. ■ Заточіть пильний ланцюг, дотримуючись вказівок у розділі «ЯК ЗАТОЧИТИ ПИЛЬНИЙ ЛАНЦЮГ». ■ Зніміть і встановіть на місце пильний ланцюг, як описано в розділі «УСТАНОВЛЕННЯ/ЗАМІНА ШИНИ ТА ЛАНЦЮГА». ■ Замініть пильний ланцюг, як описано в розділі «УСТАНОВЛЕННЯ/ЗАМІНА ШИНИ ТА ЛАНЦЮГА». ■ Перевірте рівень мастила в бачку для мастила. У разі необхідності наповніть бачок для мастила.
Ланцюг спадає з прямої шини.	<ul style="list-style-type: none"> ■ Недостатній натяг ланцюга. ■ Ланцюг не зачіпляє приводну зірочку. 	<ul style="list-style-type: none"> ■ Спочатку ослабте ручку швидкого регулювання натягу ланцюга, принаймні на два оберти проти годинникової стрілки, а потім повністю затягніть її за годинниковою стрілкою, доки ланцюг не буде правильно натягнуто. ■ Зніміть і встановіть на місце ланцюг, дотримуючись вказівок у розділі «УСТАНОВЛЕННЯ/ЗАМІНА ШИНИ ТА ЛАНЦЮГА» та переконавшись, що приводні ланки ланцюга повністю розташовані на зірочці.
Шини і ланцюги гарячі, і з них іде дим.	<ul style="list-style-type: none"> ■ Бачок мастила для ланцюга пустий. ■ Сміття в пазу прямої шини. 	<ul style="list-style-type: none"> ■ Додавання мастила для шини та ланцюга. ■ Видаліть сміття з пазу.

ГАРАНТІЯ

UK

ПРАВИЛА ГАРАНТІЇ EGO

Відвідайте веб-сайт egopowerplus.com для отримання повного тексту умов гарантійної політики EGO.

ПРОЧЕТЕТЕ ВСИЧКИ ИНСТРУКЦИИ!



ПРОЧЕТЕТЕ РЪКОВОДСТВОТО НА ОПЕРАТОРА

⚠ Остатъчен риск! Хора с електронни устройства, като пейсмейкър трябва да се консултират с лекуващия(те) си лекар(и) преди употреба на този продукт. Работата с електрическо оборудване в непосредствена близост до сърдечен пейсмейкър може да предизвика смущение или неизправност на пейсмейкъра.

СИМВОЛ ЗА БЕЗОПАСНОСТ

Целта на символите за безопасност е да привличат вниманието към възможни опасности. Символите за безопасност и обясненията към тях заслужават вашето повишено внимание и осъзнаване. Символите за

безопасност сами по себе си не елиминират каквато и да е опасност. Инструкциите и предупрежденията, които предоставят не са заместители за подходящите мерки за предотвратяване на инцидент.

⚠ ПРЕДУПРЕЖДЕНИЕ: Уверете се, че сте прочели и осъзнали всички инструкции за безопасност в това Ръководство на оператора, включително всички известяващи символи за безопасност, като **“ОПАСНОСТ,” “ПРЕДУПРЕЖДЕНИЕ,”** и **“ВНИМАНИЕ”** преди да използвате този инструмент. Неспазването на всички инструкции изброени долу може да доведе до електрически шок, пожар и/или сериозно нараняване.

ЗНАЧЕНИЕ НА СИМВОЛИТЕ

Тази страница изобразява и описва символите за безопасност, които може да се появят по този продукт. Прочетете, осъзнайте и следвайте всички инструкции по машината преди предприемане на сглобяване и работа.

СИМВОЛИ ЗА БЕЗОПАСНОСТ



Сигнал за безопасност



Носете защита за очите



Носете защита за главата



Водеща шина



Откат на върха на водещата шина



Не излагайте на дъжд.



Отпадъчните електрически продукти не трябва да бъдат изхвърляни заедно с домакинския отпадък. Отнесете го до упълномощено място за рециклиране.

V

Волт



Постоянен ток



За намаляване на опасността от нараняване, потребителят трябва да прочете и разбере ръководството на оператора преди използването на този продукт.



Носете защита за слуха



Носете защитни ръкавици



Не използвайте верижния трион с една ръка



Винаги използвайте верижния трион с две ръце



Имайте предвид, че верижният трион има обратен ход и избягвайте контакт с върха на острието



Шум

min⁻¹


Обороти в минута



CE

BG

СПЕЦИФИКАЦИИ

Напрежение	56 V 	
Препоръчителна работна температура	-15°C-40°C	
Препоръчителна температура на съхранение	-20°C-70°C	
Оптимална температура на зареждане	5 °C-40 °C	
Скорост на веригата	20 m/s	
Звено на веригата	9,5 mm	
Измервателен уред за веригата	1,3 mm	
Вид верига за трион	91PX062X 90PX056X 90PX052X	
Вид на водещата шина	180SDEA041 164MLEA041 144MLEA041	
Обем на резервоара за верижно масло	200 ml	
Тегло (без акумулаторна батерия, капак на веригата)	4,4kg	
Измерено ниво на сила на звука L_{WA}	103,53 dB(A) K=1,17 dB(A)	
Ниво на звуково налягане при ухото на оператора L_{PA}	92,53 dB(A) K=3,0 dB(A)	
Гарантирано ниво на сила на звука L_{WA} (съгласно 2000/14/ЕС)	105 dB(A)	
Вибрации при h	Предна ръкохватка	5,158 m/s ² K=1,5 m/s ²
	Задна ръкохватка	5,537 m/s ² K=1,5 m/s ²

- Декларираният общ размер на вибрации е измерен в съответствие със стандартния метод за тест и може да бъде използван за сравнение между два инструмента;
- Декларираният общ размер на вибрации може също така да бъде използван за предварителна оценка на влиянието.

БЕЛЕЖКА: Вибрационните емисии по време на действителната употреба на електрическия инструмент може да се различава от декларираната стойност. С цел да се защити оператора, потребителят трябва да носи ръкавици и антифони в действителни условия на работа.

ОПИСАНИЕ

ЗАПОЗНАЙТЕ СЕ С ВАШИЯ ВЕРИЖЕН ТРИОН (Фиг. 1)

1. Отвор за смазване
2. Водеща шина
3. Верига за трион
4. Капачка за резервоара за газ
5. Спирачна ръкохватка за откат на веригата
6. Предна ръкохватка
7. Бутон за освобождаване на батерията
8. Бутон за отключване
9. Спусък превключвател за променлива скорост
10. Електрически контакти
11. Механизъм за изваждане
12. Прозорец за проверка на маслото
13. Задна ръкохватка
14. LED бутон
15. LED фарове
16. Захващащи шипове
17. Копче за регулиране на обтягането на веригата
18. Страничен капак
19. Капак на веригата

ОПАКОВЪЧЕН ЛИСТ

ИМЕ НА ЧАСТ	БРОЙ
Захранваща глава на верижния трион	1
Верига за трион	1
Водеща шина	1
Капак на веригата	1
Ръководство на оператора	1

МОНТАЖ

СГЛОБЯВАНЕ/ПОДМЯНА НА ШИНАТА И ВЕРИГАТА

⚠ ПРЕДУПРЕЖДЕНИЕ: Преди сглобяване поставете ръкохватката за спиране на обратния ход на веригата в положение за спиране на хода.

1. Поставете захранващата глава на верижния трион на едната страна, като страничния капак сочи нагоре (Фиг. 2).
2. Извадете страничния капак, като завъртите

копчето за регулиране на обтягането на веригата обратно на часовника

3. Поставете новата верига за трион в затворен кръг върху равна повърхност и изправете всички усуквания.
4. Поставете задвижващите звена на веригата в жлеба на водещата шина и направете ухо на веригата в задната част на водещата шина (Фиг. 3).

3-1	Задвижващи звена за веригата
3-2	Жлеб на водещата шина

5. Дръжте веригата на позиция във водещата шина и поставете ухото в зъбното колело на захранващата глава (Фиг. 4).

БЕЛЕЖКА: Малки стрелки за посока са гравирани във веригата на триона и захранващата глава. Когато поставяте веригата за триона във водещата шина, уверете се, че посоката на стрелките на веригата на триона ще съответстват с посоката на стрелката на захранващата глава.

6. Поставете отново страничния капак и напълно затегнете копчето за регулиране на обтягането на веригата. Ексцентричното зъбно колело в страничния капак е проектирано за гарантиране, че веригата няма да бъде обтегната твърде много
7. Регулирайте спирачната ръкохватка за отката на веригата в работна позиция и завъртете веригата на ръка, за да проверите дали веригата е правилно монтирана без триене. В противен случай монтирайте отново веригата и шината.

БЕЛЕЖКА: Има регулираща планка свързана с водещата шина с винт. Ако водещата шина трябва да бъде заменена, демонтирайте регулиращата планка от водещата шина и я монтирайте отново върху новата водеща шина, както е показано на Фиг. 5.

ЕКСПЛОАТАЦИЯ

ПРИЛОЖЕНИЕ

Може да използвате този продукт за базово сечене, кастрене, резитба и рязане на дървен материал от трупи и дървета.

БЕЛЕЖКА: Инструментът трябва да бъде използван само за предназначенията цели. Всяка друга употреба се смята за случай на злоупотреба

МОНТИРАНЕ/ИЗВАЖДАНЕ НА АКУМУЛАТОРНАТА БАТЕРИЯ

Заредете напълно преди първата употреба.

Използвайте единствено акумулаторни батерии EGO и зарядни устройства изброени по-долу:

БАТЕРИЯ	ЗАРЯДНО УСТРОЙСТВО
BA1120E, BA2240E, BA1400, BA2800, BA3360, BA4200, BA1400T, BA2800T, BA4200T, BA5600T	CH2100E, CH5500E

За да закрепите

Подравнете ребрата на акумулаторната батерия с монтажните жлебове и натиснете батерията надолу, докато чуете "щракване" (Фиг. 6).

За да извадите

Натиснете бутона за освобождаване на батерията и издърпайте акумулаторната батерия навън (Фиг. 7).

LED ФАРОВЕ

LED фарът (Фиг. 1-15) се намира в предната част на захранващата глава на верижния трион. Тази функция предоставя допълнителна светлина за увеличаване на видимостта и може да бъде регулирана до 2 нива на яркост.

За да включите светлините, натиснете LED бутона (Фиг. 1-14). Фаровете осигуряват ярка светлина пред верижния трион. Натиснете LED бутона втори път и фаровете ще засветят по-ярко.

За да изключите фаровете, натиснете LED бутона трети път.

СТАРТИРАНЕ/СПИРАНЕ НА ВЕРИЖНИЯ ТРИОН

Преди стартиране на верижния трион

БЕЛЕЖКА: Преди стартиране на верижния трион проверете регулирането на обтягането на веригата и нивото на маслото, зъбите на триона за острота и работата на спирачната ръкохватка за отката. Освен това са необходими балансирана позиция на краката и правилно разстояние от земята.

За да стартирате

1. Издърпайте спирачната ръкохватка за откат на веригата в посока на предната ръкохватка към работната позиция
2. Хванете здраво предните и задните ръкохватки използвайки и двете ръце.
3. Натиснете и задръжте бутона за отключване, след това стиснете спусъка превключвател за променлива скорост, за да стартирате триона. Скоростта на триона ще нараста с увеличаване на натиска върху спусъка за променлива скорост.

4. Освободете бутона за отключване и продължете да стискате спусъка превключвател за променлива скорост за продължителна работа.

Правилен захват на ръкохватките (Фиг. 8)

- Носете неплъзгащи се ръкавици за максимален захват и защита.
- При оставен трион на твърда, равна повърхност хванете триона здраво с двете ръце.
- Винаги хващайте предната ръкохватка с лявата ръка и задната ръкохватка с дясната ръка.
- Пръстите трябва да обхванат ръкохватката, като палецът е обвит под предната ръкохватка.

⚠ ПРЕДУПРЕЖДЕНИЕ: Никога не използвайте захват за лява ръка (кръстосани ръце) или каквато и да е поза, която ще постави вашето тяло или ръка над линията на веригата (фиг. 9).

Правилна поза за рязане (фиг. 10)

- Двата крака трябва да са на твърда земя, като теглото е равномерно разпределено между тях.
- Лявата ръка трябва да бъде права, като лакътят е заключен. Това позволява да се устои на силите генерирани при откат.
- Вашето тяло винаги трябва да бъде от ляво на линията на веригата.

РЯЗАНЕ

Базово рязане

- За потребители, които използват уреда за първи път, моля, упражнявайте се да режете дърва върху стойка за рязане.
- Започнете рязането с лек натиск на водещата шина към дървото. Използвайте само лек натиск, като оставите триона да свърши работата
- Поддържайте постоянна скорост по време на рязането, като намалите натиска валко преди края на рязането.

⚠ ПРЕДУПРЕЖДЕНИЕ: Когато верижният трион е спрял поради заклещване, по време на рязане, освободете спусъка, извадете веригата на триона и водещата шина от дървото и след това стартирайте отново верижния трион.

⚠ ПРЕДУПРЕЖДЕНИЕ: Не дърпайте веригата на триона с ръката си, когато е залепнала от дървени стърготини.

⚠ ПРЕДУПРЕЖДЕНИЕ: Никога не стартирайте верижния трион, когато е в контакт с дървото. Винаги позволявайте верижният трион да достигне пълна

скорост, преди да поставите триона върху дървото.

СЕЧЕНЕ НА ДЪРВО

- Когато се извършват дейности по бичене и сечене от двама или повече хора по едно и също време, операторът, който сече трябва да бъде отдалечен от операторът, който разбичва, на разстояние поне два пъти височината на дървото, което се сече. Дърветата не трябва да бъдат сечени, по начин, който застрашава някой човек, може да удари линия за комунални услуги или да причини щети по собствеността. Ако дървото направи контакт с някоя линия за комунални услуги, компанията трябва да бъде информирана незабавно.
- Операторът на триона трябва да стои от горната страна на терена, тъй като дървото е вероятно да се изтъколи или плъзне надолу по склона, след като е отсечено.
- Път за изход трябва да бъде планиран и почистен при необходимост, преди стартиране на рязането. Пътят за изход трябва да продължи назад и диагонално към задната страна на очакваната линия падане, както е показано на Фиг. 11.

11-1	Посока на сеч
------	---------------

- Преди започване на сечта обърнете внимание на естествения наклон на дървото, позицията на по-големите клони и посоката на вятъра, за да прецените на коя посока ще падне дървото.
- Отстранете мръсотията, камъните, разлепената кора, пироните, скобите и жиците от дървото.

Издълбаване на подрязване

Направете прорез на 1/3 от диаметъра на дървото, перпендикулярен на посоката на падане, както е илюстрирано на Фиг. 12. Първи направете долен хоризонтален издълбаващ разрез. Това ще помогне да се избегне заципване или на веригата на триона, или на водещата шина, когато се направи вторият прорез.

Заден сечаш разрез

- Направете задния сечаш разрез поне на 50 мм по-високо от хоризонталния издълбаващ разрез, както е показано на Фиг.12-3.

12-1	Посока на падане	12-3	Заден сечаш разрез
12-2	Жлеб	12-4	Шарнир

Дръжте сечашия заден разрез успореден на хоризонталния издълбаващ разрез. Направете задния

сечащ разрез, така че да остане достатъчно дърво, което да действа като шарнир. Шарнирната дървесина предпазва дървото от усукване и падане в грешна посока. Не режете през шарнира.

- Когато сеченето доближи до шарнира, дървото трябва да започне да пада. Ако има шанс дървото да не падне в желаната посока или ако може да се залюлее назад и да защити веригата на триона, спрете рязането преди завършването на отсичащия заден разрез и използвайте клинове от дърво, пластмаса или алуминий, за да отворите разреза и да свалите дървото по желаната траектория на падане.
- Когато дървото започне да пада, извадете верижния трион от разреза, спрете мотора, оставете верижния трион на земята и използвайте планирания път за оттегляне. Внимавайте за падащи клони отгоре и гледайте къде ходите.

Кастрене на дърво

Кастренето е премахване на клоните от паднало дърво. Когато кастрите оставете по-големите долни клони за да поддържат трупата над земята. Премахнете малките клони с един разрез, както е показано на Фиг. 13. Клоните под напрежение трябва да бъдат рязани от долу нагоре, за да се избегне заципване на верижния трион.

Разбичване на трупа

- Разбичването е рязане на трупа по дължина. Важно е да се уверите, че стойката на краката е здрава и вашето тегло е равномерно разпределено между двата крака. Когато е възможно трупата трябва да бъде повдигната и поддържана, като се използват клоните, други трупи или клинове. Следвайте обикновени посоки за лесно рязане.
- Когато трупата е поддържана по цялата си дължина, както показва Фиг. 14, тя се реже от горе (разбичване от върха).
- Когато трупата е поддържана от единия край, както показва Фиг. 15, изрежете ок. 1/3 от диаметъра от долната страна
- (разбичване от долу). След това направете окончателния разрез от горната страна, който да срещне първия разрез.
- Когато трупата е поддържана от двата края, както показва Фиг. 16, изрежете 1/3 от диаметъра от горната страна (разбичване от горе). След това направете окончателния разрез от долните 2/3 с разбичване от долу, който да срещне първия разрез.
- Когато разбичвате под наклон, винаги стойте от високата страна на трупата, както е показано на Фиг. 17.

- Когато "изрязвате", за да запазите пълен контрол, освободете натиска на рязане в близост до края на разреза, без да отпускате вашия захват на ръкохватките верижния трион. Не позволявайте на веригата да влезе в контакт със земята. След завършване на разреза изчакайте веригата на триона да спре, преди да преместите верижния трион. Винаги спирайте мотора, преди да се преместите от дърво на дърво.

ПОДДРЪЖКА

НАПЪЛНЕНЕ СМАЗКА ЗА ШИНАТА И ВЕРИГАТА

БЕЛЕЖКА: Верижният трион не е напълнен с масло по времето на покупката. Изключително важно е да напълните резервоара с масло преди употреба. Веригата се смазва автоматично с верижно масло по време на работа.

1. Поставете верижния трион на една страна като капачката на резервоара за маслото сочи нагоре.
2. Почистете капачката, както и зоната около нея и след това завъртете обратно на часовника за да я извадите (Фиг. 18).
3. Внимателно налейте специално проектираното масло в резервоара, докато стигне до долната част на гърлото на филтъра.
4. Избършете излишното масло и поставете капачката.

БЕЛЕЖКА: При изправена позиция маслото трябва да запълни прозореца за проверка. Когато маслото вече не се вижда в прозореца за проверка, спрете незабавно употребата и заредете.

ПОЧИСТВАНЕ

- След всяка употреба почистете натрупванията от веригата и водещата шина с мека четка. Избършете повърхността на верижния трион с мека кърпа навлажнена с мек сапунен разтвор.
- Извадете капака на зъбното колело за веригата и след това използвайте мека четка за да отстраните натрупванията от водещата шина, веригата на триона, зъбното колело и страничния капак.
- Винаги почиствайте дървените стърготини, праха от рязане и мръсотията от жлеба на водещата шина, когато подмените веригата на триона.

ПОДДРЪЖКА НА ВОДЕЩАТА ШИНА

Когато водещата шина покаже признаци на износване, демонтирайте я от захранващата глава на верижния трион и я обърнете за повторен монтаж (Фиг. 19), в който случай тя ще разпредели износването за максимален живот на шината.

Шината трябва да бъде почиствана при всеки ден в употреба и да бъде проверявана за износване и повреди. Изтъняване или изстъргване на релсите на шината е нормален процес на износване на шината. Такива дефекти, трябва да бъдат загландени с пила веднага след като се случат. Шина с някой от следните дефекти трябва да бъде подменена.

- Износване от вътрешната страна на релсите на шината, което позволява на веригата да лежи на страни.
- Изкривена водеща шина.
- Напукани или счупени релси.
- Раздалечени релси.

В допълнение, водещата шина има зъбно колело на върха си (Фиг. 20-1). Зъбното колело трябва да бъде ежедневно смазвано с гресьорка за да се удължи живота на водещата шина (Фиг. 21). Използвайте гресьорка за смазване всяка седмица с верижно масло в отворите за смазване (Фиг. 20-2). Завъртете водещата шина и проверете дали отворите за смазване и жлебът на веригата са чисти от мръсотия.

ПОДДРЪЖКА НА ВЕРИГАТА

Използвайте единствено вериги със слаб откат за този трион. Тази верига за бързо рязане ще предостави намаляване на отката, когато е правилно поддържана.

Правилно заточена верига за трион, реже без усилие през дървото, дори с много малко усилие. Никога не използвайте затъпена или повредена верига за трион. Затъпените резци на веригата за трион водят до повишено физическо натоварване, увеличено излагане на вибрации, незадоволителни резултати от рязането и повишено износване.

За гладко и бързо рязане, веригата трябва да бъде правилно поддържана. Необходимо е заточване на веригата, когато дървените стърготини са малки и разпрашени, веригата трябва да бъде водена със сила през дървото по време на рязане или когато веригата реже от едната страна. По време на поддръжка на вашата верига имайте предвид следното:

- Неправилен ъгъл на подаване на страничната пластина, може да увеличи риска от сериозен откат.
- Клиренс на дълбочината на зъбите. Твърде ниско повишава потенциала за откат. Недостатъчно ниско намалява способността за рязане.
- Ако режещите зъби ударят твърд предмет, като пирон или камък или са били изтрети от калта или пясъка по дървото, дайте веригата за заточване на квалифициран сервизен техник.

ТРАНСПОРТИРАНЕ И СЪХРАНЕНИЕ

- Не оставяйте или транспортирайте верижния трион, когато работи. Винаги изваждайте акумулаторната батерия преди съхранение или транспортиране.
- Винаги поставяйте капака на водещата шина преди да съхранявате или транспортирате верижния трион. Бъдете внимателни за да избегнете остри зъби на веригата.
- Почистете изцяло верижния трион преди съхраняване. Съхранете верижния трион на закрито, на сухо място, което е заключено и/или недостъпно за деца.
- Пазете я от корозивни препарати като градински химикали и сол за обезледяване.

Опазване на околната среда



WEEE (Отпадъци от електрическо и електронно оборудване)

Не изхвърляйте електрическо оборудване, използвана батерия или зарядно устройство в домакинския отпадък! Отнесете продукта до упълномощена фирма за рециклиране и го предоставете за разделно събиране. Електрическите инструменти трябва да бъдат връщани в съоръжения за рециклиране съвместими с околната среда.

ОТСТРАНЯВАНЕ НА ПРОБЛЕМИ

ПРОБЛЕМ	ПРИЧИНА	РЕШЕНИЕ
Моторът не стартира.	<ul style="list-style-type: none"> ■ Акумулаторната батерия не е прикрепена към верижния трион. ■ Няма електрически контакт между триона и батерията. ■ Акумулаторната батерия е изтощена. ■ Акумулаторната батерия или верижният трион са твърде горещи. ■ Спирачката за веригата е активирана. ■ Отломки в жлеба на шината. ■ Отломки в страничния капак. 	<ul style="list-style-type: none"> ■ Закрепете акумулаторната батерия към верижния трион. ■ Извадете батерията, проверете контактите и поставете наново акумулаторната батерия. ■ Заредете акумулаторната батерия. ■ Позволете на акумулаторната батерия или верижния трион да се охлади, докато температурата спадне под 67°C. ■ Издърпайте спирачната ръкохватка за откат на веригата в посока на предната ръкохватка до работната позиция. ■ Натиснете веригата на триона срещу дървото, преместете верижния трион напред и назад за да освободите отломките. ■ Извадете батерията, след това извадете страничния капак и почистете отломките.
Верижният трион спира по време на работа.	<ul style="list-style-type: none"> ■ Верижният трион е претоварен. ■ Акумулаторната батерия или верижният трион са твърде горещи. ■ Веригата на триона е заседнала в дървото. 	<ul style="list-style-type: none"> ■ Намалете натоварването. ■ Намалете натоварването. Позволете на акумулаторната батерия или верижния трион да се охлади, докато температурата спадне под 67°C. ■ Освободете спусъка, извадете веригата на триона и направляващата шина от дървото и рестартирайте верижния трион.
Моторът работи, но веригата не се върти.	<ul style="list-style-type: none"> ■ Веригата не е зацепена във задвижващото зъбно колело. ■ Отпадъците пречат на пълното движение на спирачната ръкохватка за откат на веригата. ■ Възможна неизправност на спирачката на веригата. 	<ul style="list-style-type: none"> ■ Монтирайте повторно веригата, като се уверите, че задвижващите звена на веригата са напълно поставени във верижното зъбно колело. ■ Отпадъците пречат на пълното движение на спирачната ръкохватка за откат на веригата. ■ Свържете се с обслужване на клиенти на EGO за ремонт.

ПРОБЛЕМ	ПРИЧИНА	РЕШЕНИЕ
Верижният трион не реже правилно.	<ul style="list-style-type: none"> ■ Недостатъчно обтягане на веригата. ■ Изтъпена верига. ■ Веригата е монтирана назад. ■ Износена верига. ■ Суха или прекалено разтеглена верига. 	<ul style="list-style-type: none"> ■ Разхлабете копчето за регулиране на обтягането на веригата поне на два оборота обратно на часовниковата стрелка и напълно го затегнете по часовниковата стрелка, докато веригата се обтегне правилно. ■ Заточете верижните резци, като следвате раздел “КАК ДА ЗАТОЧИМ РЕЗЦИТЕ”. ■ Инсталирайте отново верижния трион като следвате раздела „МОНТАЖ/ЗАМЯНА НА ШИНАТА И ВЕРИГАТА”. ■ Заменете верижния трион като следвате раздела „МОНТАЖ/ЗАМЯНА НА ШИНАТА И ВЕРИГАТА”. ■ Проверете нивото на маслото в масления резервоар. Напълнете контейнера за масло ако е необходимо.
Веригата пада от водещата шина.	<ul style="list-style-type: none"> ■ Недостатъчно обтягане на веригата. ■ Веригата не е зацепена във задвижващото зъбно колело. 	<ul style="list-style-type: none"> ■ Разхлабете копчето за регулиране на обтягането на веригата поне на два оборота обратно на часовниковата стрелка и напълно го затегнете по часовниковата стрелка, докато веригата се обтегне правилно. ■ Монтирайте повторно веригата, като следвате раздел „МОНТАЖ/ЗАМЯНА НА ШИНАТА И ВЕРИГАТА“ и се уверите, че задвижващите звена на веригата са напълно поставени във верижното зъбно колело.
Щангата и веригата се нагорещяват и пушат.	<ul style="list-style-type: none"> ■ Резервоарът за верижно масло е празен. ■ Отломки в жлеба на водещата шина. 	<ul style="list-style-type: none"> ■ Напълнете смазка за шината и веригата. ■ Почистете отломките в жлеба.

ГАРАНЦИЯ

ГАРАНЦИОННА ПОЛИТИКА EGO

Моля, посетете уебсайта egopowerplus.com за пълните срокове и условия по гаранционната политика на EGO.

BG

PROČITAJTE UPUTE U CIJELOSTI!



PROČITAJTE PRIRUČNIK ZA RUKOVATELJE.

⚠ Preostale opasnosti! Osobe s elektroničkim uređajima poput srčanih elektrostimulatora prije uporabe ovog proizvoda trebaju se posavjetovati sa svojim liječnikom. Rad električne opreme u neposrednoj blizini srčanih elektrostimulatora može prouzročiti smetnju ili kvar srčanog elektrostimulatora.

SIGURNOSNI SIMBOL

Svrha sigurnosnih simbola je skretanje pozornosti na moguće opasnosti. Sigurnosni simboli i njihova objašnjenja zahtijevaju vašu potpunu pozornost i razumijevanje.

SIGURNOSNI SIMBOLI



Simbol upozorenja



Nosite zaštitu za oči.



Nosite zaštitu za glavu.



Vodilica



Povratni udar na vrhu vodilice



Ne izlažite uređaj kiši.



Otpadni električni proizvodi ne smiju se odlagati s otpadom iz kućanstva. Odnosite ih u ovlaštenu centar za reciklažu.

V Volt



Istosmjerna struja



Radi smanjenja opasnosti od ozljeda, prije uporabe ovog proizvoda korisnik treba s razumijevanjem pročitati ovaj korisnički priručnik.



Nosite zaštitu za sluh.



Nosite zaštitne rukavice.



Lančanu pilu nemojte upotrebljavati jednom rukom.



Lančanu pilu upotrebljavajte samo s dvije ruke.



Budite pripravi na povratni udarac lančane pile i izbjegavajte dodir s vrhom lista.




Buka

min⁻¹ Okretaji u minuti

CE

TEHNIČKI PODACI

Napon	56 V 	
Preporučena radna temperatura:	-15°C-40°C	
Preporučena temperatura skladištenja:	-20°C-70°C	
Optimalna temperatura punjenja	5 °C-40 °C	
Brzina lanca	20 m/s	
Korak lanca	9,5 mm	
Duljina karike lanca	1,3 mm	
Tip lanca pile	91PX062X 90PX056X 90PX052X	
Tip vodilice	180SDEA041 164MLEA041 144MLEA041	
Zapremina spremnika ulja za lanac	200 ml	
Masa (bez kompleta baterija, zaštitne navlake za lanac)	4,4kg	
Izmjerena razina zvučne snage L_{WA}	103,53 dB(A) K=1,17 dB(A)	
Razina zvučnog tlaka kod uha rukovatelja L_{PA}	92,53 dB(A) K=3,0 dB(A)	
Zajamčena razina zvučne snage L_{WA} (sukladno Direktivi 2000/14/EZ)	105 dB(A)	
Vibracija a_h	Prednja drška	5,158 m/s ² K=1,5 m/s ²
	Stražnja drška	5,537 m/s ² K=1,5 m/s ²

- Deklarirane ukupne vrijednosti vibracija izmjerene su u skladu sa standardnom metodom ispitivanja i mogu se koristiti za usporedbu jednog alata s drugim.
- Deklarirane ukupne vrijednosti vibracija mogu se koristiti i u preliminarnoj procjeni izloženosti.

NAPOMENA! Emisija vibracija tijekom aktualnog korištenja električnog alata može se razlikovati od deklarirane vrijednosti u kojoj se alat upotrebljavao; Radi zaštite rukovatelja korisnik treba nositi rukavice i štittnike za uši u aktualnim uvjetima uporabe.

HR

OPIS

UPOZNAJTE SE S LANČANOM PILOM (sl. 1)

1. Otvor za podmazivanje
2. Vodilica

3. Lanac pile
4. Čep spremnika za ulje
5. Ručica kočnice lanca za povratni udar
6. Prednji rukohvat
7. Gumb za otpuštanje baterije
8. Gumb za deblokadu
9. Okidna sklopka za varijabilnu brzinu
10. Električni kontakti
11. Mehanizam za izbacivanje
12. Kontrolno okno za ulje
13. Stražnji rukohvat
14. LED gumb
15. Prednja LED svjetla
16. Odstojnici
17. Okretni gumb za brzo podešavanje zategnutosti lanca
18. Bočni poklopac
19. Zaštitna navlaka za lanac

SADRŽAJ PAKIRANJA

NAZIV DIJELA	KOLIČINA
Pogonska glava lančane pile	1
Lanac pile	1
Vodilica	1
Zaštitna navlaka za lanac	1
Korisnički priručnik	1

SASTAVLJANJE

POSTAVLJANJE/ZAMJENA VODILICE I LANCA

⚠ UPOZORENJE! prije montaže prilagodite dršku kočnice povratnog udara u položaj za kočenje.

1. Pozicionirajte pogonsku glavu lančane pile na njezinoj strani bočnog poklopca okrenutog prema gore (sl. 2).
2. Skinite bočni poklopac okretanjem okretnog gumba za brzo podešavanje zategnutosti lanca u smjeru suprotnom smjeru kretanja kazaljki na satu.
3. Novi lanac pile položite kružno na ravnu površinu i ispravite eventualne pregibe.
4. Stavite pogonske karike lanca u žlijeb vodilice tako da se na stražnjoj strani vodilice napravi petlja (sl. 3).

3-1	Pogonske karike lanca
-----	-----------------------

5. Držite lanac u položaju na vodilici i stavite petlju oko lančanika pogonske glave (sl. 4).

NAPOMENA! U lancu pile i na pogonskoj glavi utisnute su male strelice za smjer. Kada petlju lanca pile stavljate na vodilicu, vodite računa da smjer strelica na lancu pile bude u skladu sa smjerom strelice na pogonskoj glavi.

6. Ponovno postavite bočni poklopac i potpuno pritegnite okretni gumb za brzo podešavanje zategnutosti lanca. Ekscentrični prijenosnik u bočnom poklopcu konstruiran je kako bi se osiguralo da se lanac previše ne zategne.
7. Ručicu kočnice lanca za povratni udar namjestite u radni položaj, a zatim zarotirajte lanac rukom kako biste provjerili je li lanac propisno postavljen bez spajanja. U suprotnom ponovno postavite lanac i vodilicu.

NAPOMENA! Ovdje se nalazi ploča za podešavanje spojena na vodilicu s vijkom. Ako je vodilicu potrebno zamijeniti, skinite ploču za podešavanje s vodilice i ponovno je postavite na novu vodilicu kako je prikazano na sl. 5.

RAD

PRIMJENA

Ovaj proizvod možete upotrebljavati za osnovno obaranje stabala, orezivanje grana, obrezivanje i sječu rezane građe i drveća.

NAPOMENA! Alat se smije upotrebljavati samo za prethodno opisanu namjenu. Svaka druga uporaba smatra se nepropisnom uporabom.

POSTAVLJANJE I SKIDANJE KOMPLETA BATERIJA Komplet baterija napunite prije prve uporabe.

Upotrebljavajte samo kompletne baterija i punjače proizvođača EGO navedene u nastavku:

BATERIJA	PUNJAČ
BA1120E, BA2240E, BA1400, BA2800, BA3360, BA4200, BA1400T, BA2800T, BA4200T, BA5600T	CH2100E, CH5500E

Postavljanje

Upravljajte kontakte baterije s montažnim utorima i pritišćite komplet baterija prema dolje dok ne začujete zvuk klikanja (sl. 6).

Skidanje

Pritisnite gumb za otpuštanje baterije i izvucite komplet baterija (sl. 7).

PREDNJA LED SVJETLA

Prednje LED svjetlo (sl. 1 - 15) nalazi se s prednje strane pogonske glave lančane pile. Ova funkcija omogućuje dodatno svjetlo za povećanu vidljivost i može se podesiti na 2 razine svjetline.

Za uključivanje svjetala jedanput pritisnite LED gumb (sl. 1 - 14). Prednja svjetla pružaju jaku svjetlost s prednje strane lančane pile. Pritisnite LED gumb drugi put i prednja svjetla svijetlit će još jače.

Za isključivanje prednjih svjetala pritisnite LED gumb po treći put.

POKRETANJE/ZAUSTAVLJANJE LANČANE PILE Prije pokretanja lančane pile

NAPOMENA! Prije pokretanja lančane pile provjerite brzo podešavanje zategnutosti lanca i razinu ulja, oštrinu zuba pile i propisnu funkciju ručice kočnice za povratni udar. Dodatno su potrebni stabilno uporište i propisna udaljenost od tla.

Pokretanje

1. Ručicu kočnice lanca za povratni udar povucite prema prednjem rukohvatu u radni položaj.
2. Objema rukama čvrsto primite prednji i stražnji rukohvat.
3. Za pokretanje pile pritisnite gumb za deblokadu i držite ga pritisnutim, a zatim pritisnite okidnu sklopku za varijabilnu brzinu. Brzina lanca povećavat će se s povećanim pritiskom na okidač za varijabilnu brzinu.
4. Otpustite gumb za deblokadu i nastavite stiskati okidnu sklopku za varijabilnu brzinu za kontinuirani rad.

Propisno držanje rukohvata (sl. 8)

- Za maksimalni priхват i zaštitu nosite neklizajuće rukavice.
- Pilu na čvrstoj, ravnoj površini držite čvrsto objema rukama.
- Prednji rukohvat uvijek prihvatite lijevom, a stražnji rukohvat desnom rukom.
- Prsti trebaju obuhvatiti rukohvat s palcem savijenim ispod prednjeg rukohvata.

⚠ UPOZORENJE! Nemojte nikada upotrebljavati lijevi (poprečni) prihvat niti položaj koji vaše tijelo ili ruku postavlja preko linije lanca (sl. 9).

Propisan položaj pri rezanju (sl. 10)

- Oba stopala trebaju biti na čvrstom tlu uz tjelesnu masu ravnomjerno raspoređenu između njih.
- Lijeva ruka treba biti ispružena uz fiksirani lakat. Taj položaj će pomoći da se oduprete silama koje stvara povratni udar.
- Vaše tijelo uvijek mora biti s lijeve strane linije lanca.

REZANJE

Osnovno rezanje

- Početnici u radu s pilom trebaju vježbati rezanje klada na konju za rezanje ili prikladnom držaču.
- Počnite rezati blagim pritiskom vodilice o drvo. Primijenite blagi pritisak puštajući pilu da odradi posao.
- Održavajte konstantnu brzinu cijelim rezom otpuštajući pritisak neposredno pred kraj reza.

⚠ UPOZORENJE! Kada se lanac pile zaustavi zbog zaglavlivanja tijekom postupka rezanja, otpustite okidnu sklopku, izvadite lanac pile i vodilicu iz drveta, a zatim ponovno pokrenite lančanu pilu.

⚠ UPOZORENJE! Nemojte povlačiti lanac pile rukom kada je obuhvaćen piljevinom.

⚠ UPOZORENJE! Nemojte nikad pokretati lančanu pilu kada je u kontaktu s drvom. Prije rezanja drva uvijek pričekajte da lančana pila dostigne punu brzinu.

OBARANJE STABLA

- Kod radova rezanja po duljini i obaranja stabla koje istovremeno obavljaju dvije osobe ili više osoba, radove obaranja stabla potrebno je razdvojiti od radova rezanja po duljini razdaljinom od najmanje dvije visine stabla koje se obara. Stabla se ne smiju obarati na način kojim će se ugroziti osobe, udariti u nadzemne vodove ili prouzročiti materijalnu štetu. Ako stabla dođu u kontakt s nadzemnim vodovima, odmah je potrebno obavijestiti odnosno poduzeće.
- Rukovatelj lančanom pilom treba stajati na uzvišenoj strani terena jer će se drvo nakon obaranja vjerojatno otkotrljati ili skliznuti nizbrdo.
- Prije početka postupka rezanja potrebno je isplanirati i prema potrebi očistiti putanju izvlačenja. Putanja izvlačenja treba se protezati natrag i dijagonalno prema stražnjem dijelu očekivane linije pada kako je prikazano na sl. 11.

11-1	Smjer obaranja stabla
------	-----------------------

- Prije početka postupka obaranja stabla, za procjenu putanje pada stabla uzмите u obzir prirodnu nagutost stabla, lokaciju većih grana i smjer vjetra.

- Sa stabla uklonite prijavštinu, kamenje, odvojenu koru, čavle, spajalice i žicu.

Podrezivanje usjeka

Napravite urez 1/3 promjera stabla, okomito naspram smjera pada kako je prikazano na sl. 12. Najprije obavite niže vodoravno zarezivanje. To će pomoći u izbjegavanju zaglavlivanja lanca pile ili vodilice pri pravljenju drugog ureza.

Rez obaranja

- Rez obaranja napravite najmanje 50 mm više od vodoravnog zarezivanja kako je prikazano na sl. 12-3.

12-1	Smjer pada	12-3	Rez obaranja
12-2	Žlijeb	12-4	Zglob

Rez obaranja održavajte paralelnim u odnosu na vodoravno zarezivanje. Rez obaranja napravite tako da ostane dovoljno drveta da djeluje kao zglob. Zglob onemogućuje zakretanje stabla i pad stabla u pogrešnom smjeru. Nemojte prerezati zglob.

- Kako se rezovi za obaranja približavaju zglobu, stablo treba početi da pada. Ako postoji mogućnost da drvo ne padne u željenom smjeru ili da se zanjiše unatrag i blokira lanac pile, obustavite radove rezanja prije završetka reza obaranja i upotrijebite klinove od drveta, plastike ili aluminija da otvorite rez i ispuštite stablo duž željene linije pada.
- Kada stablo počne da pada, uklonite lančanu pilu iz reza, zaustavite motor, odložite lančanu pilu, a zatim upotrijebite planiranu putanju za povlačenje. Pazite na grane iznad glave koje padaju i vodite računa o uporištu.

Odrezivanje grana stabla

Odrezivanje grana je uklanjanje grana s oborenog stabla. Prilikom odrezivanja grana ostavite veće niže grane kao pomoć za odizanje debla s tla. Male grane uklonite jednim rezom kako je prikazano na sl. 13. Napete grane potrebno je rezati odozdo prema gore kako bi se izbjegla blokada lančane pile.

Rezanje po duljini

- Rezanje po duljini je uzdužno rezanje debla. Važno je da osigurate čvrsto uporište i da tjelesna masa bude ravnomjerno raspoređena na oba stopala. Ako je moguće, deblo treba podići i poduprijeti pomoću grana, debla ili klinova. Pridržavajte se jednostavnih smjernica za lako rezanje.
- Kada je deblo poduprijeti cijelom duljinom kako je prikazano na sl. 14, reže se s gornje strane (odozgo).

- Kada je deblu poduprijeto na jednom kraju kako je prikazano na sl. 15, režite 1/3 promjera debla s donje strane
- (odozdo). Zatim obavite završni rez odozgo kako biste sastavili s prvim rezom.
- Kada je deblu poduprijeto na oba kraja kako je prikazano na sl. 16, režite 1/3 promjera debla s gornje strane (odozgo). Zatim obavite završni rez odozdo na donjoj 2/3 kako biste sastavili s prvim rezom.
- Kada obavljate rezanje po duljini na nagibu, uvijek stojite na uzvišenoj strani od debla kako je prikazano na sl. 17.
- Kada "odrezujete", za održavanje kompletne kontrole rasteretite pritisak rezanja u blizini kraja reza bez popuštanja zahvata na rukohvatima lančane pile. Nemojte dopustiti da lanac dođe u kontakt s tlom. Nakon obavljenog reza, pričekajte da se lanac pile zaustavi prije premještanja lančane pile. Uvijek zaustavite motor prije premještanja s drveta na drvo.

ODRŽAVANJE

PUNJENJE VODILICE I LANCA MAZIVOM

NAPOMENA! Lančana pila nije napunjena uljem u vrijeme kupnje. Spremnik je prije uporabe potrebno napuniti uljem. Tijekom rada lanac se automatski podmazuje uljem za lanac.

1. Postavite lančanu pilu na bočnu stranu sa čepom spremnika ulja okrenutim prema sebi.
2. Očistite čep i okolno područje, a zatim ga okrenite u smjeru suprotnom smjeru kretanja kazaljki na satu kako biste ga skinuli (sl. 18).
3. Pažljivo ulijevajte posebno predviđeno ulje u spremnik dok ne dosegne donji dio vrata filtra.
4. Obrišite višak ulja i vratite čep.

NAPOMENA! U ispravnom položaju ulje treba ispuniti kontrolno okno. Kada ulje više nije vidljivo u kontrolnom oknu, odmah obustavite uporabu i dopunite ulje.

ČIŠĆENJE

- Nakon svake uporabe mekanom četkom očistite naslage s lanca i vodilice. Površinu lančane pile obrišite čistom krpom navlaženom u blagoj sapunici.
- Uklonite bočni poklopac, a zatim mekanom četkom očistite naslage s vodilice, lanca pile, lančanika i bočnog poklopca.
- Pri zamjeni lanca pile iz zlijeba vodilice uvijek očistite drveno iverje, prašinu od pile i nečistoću.

ODRŽAVANJE VODILICE

Kada se na vodilici pojave znakovi istrošenosti, skinite je s pogonske glave lančane pile i okrenite je naopak za ponovno postavljanje (sl. 19), čime ćete raspodijeliti trošenje radi maksimalnog radnog vijeka vodilice.

Vodilicu je potrebno čistiti svaki dan kada se upotrebljava i provjeriti na postojanje znakova istrošenosti i oštećenja. Stvaranje bridova ili neravnina na tračnicama vodilice je normalan proces trošenja vodilice. Takve nepravilnosti treba ublažiti turpijom čim se pojave. Vodilicu s bilo kojim od sljedećih nepravilnosti potrebno je zamijeniti.

- Istrošenost unutarnje strane tračnica vodilice što omogućuje ležanje lanca sa strana.
- Savijena vodilica.
- Napuknute ili polomljene tračnice.
- Raširene tračnice.

Osim toga, vodilica na vrhu ima lančanik (sl. 20 -1). Lančanik je potrebno tjedno podmazivati mazalicom radi produženja radnog vijeka vodilice (sl. 21). Za tjedno podmazivanje s uljem za lanac putem otvora za podmazivanje upotrebljavajte mazalicu (sl. 20 -2). Okrenite vodilicu i provjerite jesu li otvori za podmazivanje i zlijeb lanca zaprijeti.

ODRŽAVANJE LANCA

Na ovoj pili upotrebljavajte samo lance s malim povratnim udarom. Lanac s funkcijom brzog rezanja osigurat će smanjenje povratnog udara kada se propisno održava.

Propisno naoštren lanac pile bez napora reže kroz drvo, čak i uz vrlo mali pritisak. Nemojte nikada upotrebljavati tup ili oštećen lanac pile. Tupi rezači lanca pile dovode do povećanog fizičkog naprežanja, povećanog vibracijskog opterećenja, nezadovoljavajućih rezultata rezanja i povećanog trošenja.

Za bespriječno i brzo rezanje potrebno je propisno održavati lanac. Lanac zahtijeva oštrenje kada je drveno iverje malo i praškasto, kada je lanac potrebno potiskivati kroz drvo tokom rezanja ili kada lanac reže na jednu stranu. Tijekom radova održavanja na lancu uzmite u obzir sljedeće:

- Nepravilan kut turpijanja bočne ploče može povećati rizik od jakog povratnog udara.
- Zazor mjerača dubine. Premala vrijednost povećava mogućnost za povratni udar. Nedovoljno mala vrijednost smanjuje sposobnost rezanja.
- Ako su zubi rezača udarili o tvrde predmete kao što su čavli ili kamenje ili ako su istrošeni uslijed blata ili pijeska na drvu, oštrenje lanca prepustite kvalificiranom servisnom tehničaru.

TRANSPORT I SKLADIŠTENJE

- Lančanu pilu nemojte skladištiti ili transportirati kada radi. Prije skladištenja ili transporta uvijek izvadite komplet baterija.
- Prije skladištenja ili transporta lančane pile, na vodilicu i lanac uvijek stavite zaštitnu navlaku. Budite oprezni kako biste izbjegli oštre zube lanca.
- Lančanu pilu dobro očistite prije skladištenja. Lančanu pilu skladištite u zatvorenim prostorima na suhom mjestu koje je zaključano i/ili nedostupno djeci.
- Lančanu pilu držite podalje od korozivnih sredstava kao što su vrtna kemijska sredstva i soli za odmrzavanje.

Zaštita okoliša



WEEE (električna i elektronička oprema koja više nije iskoristiva)

Električnu opremu, iskorištenu bateriju i punjač ne odlažite u otpad iz kućanstva! Ovaj proizvod odnesite u ovlaštenu centar za reciklažu i time omogućite odvojeno sakupljanje. Električne alate potrebno je vratiti u ekološki prihvatljiv pogon za reciklažu.

OTKLANJANJE SMETNJI

PROBLEM	UZROK	RJEŠENJE
Motor se ne pokreće.	<ul style="list-style-type: none"> ■ Komplet baterija nije pričvršćen na lančanu pilu. ■ Nema električnog kontakta između pile i baterije. ■ Komplet baterija je ispražnjen. ■ Komplet baterija je previše vruć ili je lančana pila previše vruća. ■ Kočnica lanca se aktivira. ■ Naslage u žlijebu vodilice. ■ Naslage u bočnom poklopcu. 	<ul style="list-style-type: none"> ■ Pričvrstite komplet baterija na lančanu pilu. ■ Izvadite bateriju, provjerite kontakte i ponovno stavite komplet baterija. ■ Napunite komplet baterija. ■ Pričekajte da se komplet baterija ili lančana pila ohlade na temperaturu ispod 67 °C. ■ Ručicu kočnice lanca za povratni udar povucite natrag prema prednjem rukohvatu u radni položaj. ■ Pritisnite lanac pile o drvo, pomičite lančanu pilu natrag i naprijed kako biste uklonili naslage. ■ Uklonite komplet baterija, zatim skinite bočni poklopac i očistite naslage.
Lančana pila prestaje raditi tijekom rada.	<ul style="list-style-type: none"> ■ Lančana pila je preopterećena. ■ Komplet baterija je previše vruć ili je lančana pila previše vruća. ■ Lanac pile zaglavio se u drvu. 	<ul style="list-style-type: none"> ■ Smanjite opterećenje. ■ Smanjite opterećenje. Pričekajte da se komplet baterija ili lančana pila ohlade na temperaturu ispod 67 °C. ■ Otpustite okidnu sklopku, izvadite lanac pile i vodilicu iz drva, a zatim ponovno pokrenite lančanu pilu.
Motor radi, ali lanac se ne okreće.	<ul style="list-style-type: none"> ■ Lanac ne zahvaća pogonski lančanik. ■ Naslage onemogućavaju puno kretanje ručice kočnice lanca za povratni udar. ■ Mogući kvar kočnice lanca. 	<ul style="list-style-type: none"> ■ Ponovno postavite lanac vodeći računa da pogonske karike na lancu potpuno naliježu na lančanik. ■ Naslage onemogućavaju puno kretanje ručice kočnice lanca za povratni udar. ■ Za popravak se obratite centru korisničke službe proizvođača EGO.

PROBLEM	UZROK	RJEŠENJE
Lančana pila ne reže dobro.	<ul style="list-style-type: none"> ■ Lanac je nedovoljno zategnut. ■ Lanac je tup. ■ Lanac je postavljen naopako. ■ Lanac je istrošen. ■ Lanac je suh ili je previše rastegnut. 	<ul style="list-style-type: none"> ■ Najprije otpustite okretni gumb za brzo podešavanje zategnutosti lanca za najmanje dva okretaja u smjeru suprotnom smjeru kretanja kazaljki na satu, a zatim ga potpuno pritegnite u smjeru kretanja kazaljki na satu do ispravne zategnutosti lanca. ■ Naoštrite rezače lanca u skladu s uputama u odjeljku “NAČIN OŠTRENJA REZAČA”. ■ Ponovno stavite lanac pile prema uputama iz odjeljka “POSTAVLJANJE/ZAMJENA VODILICE I LANCA”. ■ Zamjenu lanca pile obavite prema uputama iz odjeljka “POSTAVLJANJE/ZAMJENA VODILICE I LANCA”. ■ Provjerite razinu ulja u spremniku ulja. Prema potrebi dopunite ulje u spremnik ulja.
Lanac spada s vodilice.	<ul style="list-style-type: none"> ■ Lanac je nedovoljno zategnut. ■ Lanac ne zahvaća pogonski lančanik. 	<ul style="list-style-type: none"> ■ Najprije otpustite okretni gumb za brzo podešavanje zategnutosti lanca za najmanje dva okretaja u smjeru suprotnom smjeru kretanja kazaljki na satu, a zatim ga potpuno pritegnite u smjeru kretanja kazaljki na satu do ispravne zategnutosti lanca. ■ Ponovno stavite lanac prema uputama iz odjeljka “POSTAVLJANJE/ZAMJENA VODILICE I LANCA” vodeći računa da pogonske karike na lancu potpuno nalježu na lančanik.
Vodilica i lanac zagrijavaju se tijekom rada i oslobađaju dim.	<ul style="list-style-type: none"> ■ Spremnik ulja za lanac prazan je. ■ Naslage u žlijebu vodilice. 	<ul style="list-style-type: none"> ■ Dopunite mazivo za vodilicu i lanac. ■ Očistite naslage u žlijebu.

JAMSTVO

JAMSTVENA POLITIKA PROIZVOĐAČA EGO

Za cjelokupne uvjete jamstvene politike proizvođača EGO posjetite internetsku stranicu egopowerplus.com.

სრულად გაეცანით ინსტრუქციას!



გაეცანით მომხმარებლის ინსტრუქციას

⚠ არსებული რისკი! პიროვნებებმა ისეთი ელექტრული მოწყობილობებით, როგორიცაა იმპლანტირებული დეფიბრილატორი, უნდა მიმართონ პირად ექიმს რჩევისთვის ამ პროდუქტის გამოყენებამდე. იმპლანტირებულ დეფიბრილატორთან უშუალო სიახლოვეს ელექტრული მოწყობილობის ოპერირებამ შესაძლოა დეფიბრილატორს ხელი შეუშალოს მუშაობაში ან გათიშოს იგი.

უსაფრთხოების წესის სიმბოლოები

უსაფრთხოების წესის სიმბოლოების მიზანია მიაქციოთ ყურადღება შესაძლო საფრთხეებს. ყურადღებით გაეცანით და შეისწავლეთ უსაფრთხოების წესის სიმბოლოები და მათი შესაბამისი განმარტებები. უსაფრთხოების წესის

სიმბოლოების მინიმუმები თავისთავად არ ანეიტრალებს რაიმე საფრთხის არსებობის რისკს. მათ მიერ მოწოდებული ინსტრუქციები და გაფრთხილებები არ არიან შემთხვევის თავიდან აცილების სწორი პროცედურის შემცველები.

⚠ გაფრთხილება: ხელსაწყოს გამოყენებამდე დაწვრილებით გაეცანით და შეისწავლეთ ყველა უსაფრთხოების წესი მომხმარებლის ამ ინსტრუქციაში, მათ შორის ყველა უსაფრთხოების წესის სიმბოლო როგორიცაა „საშიშროება“, „გაფრთხილება“ და „ყურადღება“. ქვემოთ ჩამოთვლილი ყველა ინსტრუქციის უგულებელყოფამ შესაძლოა გამოიწვიოს ელექტრული შოკი, ხანძარი და/ან მოგაყენოთ სერიოზული პირადი ზიანი.

სიმბოლოების მნიშვნელობა

ეს გვერდი აჩვენებს და აღწერს იმ უსაფრთხოების წესის სიმბოლოებს, რომლებიც შესაძლოა აღბეჭდილია მოცემულ პროდუქტზე. წაიკითხეთ, შეისწავლეთ და მიყევით ხელსაწყოს ყველა ინსტრუქციას მის აწყობამდე და ჩართვამდე.

უსაფრთხოების წესის სიმბოლოები



უსაფრთხოების ნიშანი



გაიკეთეთ თვალების დამცავი



გაიკეთეთ თავის დამცავი საშუალება



ხერხის ძელი



ძელის წვეტის უკუშვება



არ მოათავსოთ ხელსაწყო წვიმის ქვეშ.



დაზიანების რისკის შესამცირებლად მომხმარებელმა უნდა წაიკითხოს და გაეცნოს ხელსაწყოს მუშაობის ინსტრუქციას მის გამოყენებამდე.



გაიკეთეთ ყურების დამცავი



ჩაიცვით დამცავი ხელთათმანები



არ გამოიყენოთ ჯაჭვური ხერხი მხოლოდ ერთი ხელით.



ყოველთვის მოკიდეთ ორი ხელი ხერხს.



გასვოდეთ ხერხის უკუშვების საშიშროება და მოერიდეთ ძელის წვერით საგნებთან შეხებას.

KA



ელექტრული ხელსაწყოების უტილიზაცია არ უნდა მოხდეს საყოფაცხოვრებო ნარჩენებთან ერთად. წაიღეთ ხელსაწყო ავტორიზებულ ნარჩენების გადამამუშავებელთან.



V ვოლტი



მუდმივი დენი



ხმაური

min⁻¹ ბრუნთა რიცხვი წუთში



სპეციფიკაციები

ძაბვა	56 ვოლტი	
რეკომენდირებული საექსპლუატაციო ტემპერატურა:	-15°C-40°C	
რეკომენდირებული დასაწყობების ტემპერატურა:	-20°C-70°C	
ოპტიმალური დამუხტვის ტემპერატურა	5 °C-40 °C	
ჯაჭვის სიჩქარე	20 მ/წმ	
ჯაჭვის ბიჯი	9.5 მმ	
ჯაჭვის სისქე	1.3 მმ	
ხერხის ჯაჭვის ტიპი	91PX062X 90PX056X 90PX052X	
ძელის ტიპი	180SDEA041 164MLEA041 144MLEA041	
ჯაჭვის ზეთის საცავის მოცულობა	200 მლ	
წონა (აკუმულატორის და ჯაჭვის შალითას გარეშე)	4.4კგ	
გაზომილი ხმის სიმძლავრის დონე L _{WA}	103.53 dB(A) K=1.17 dB(A)	
ბგერის წწევის დონე მომხმარებლის ყურზე L _{PA}	92.53 dB(A) K=3.0 dB(A)	
გარანტირებული ხმის სიმძლავრის დონე L _{WA} (გაზომილი 2000/14/EC რეგულაციის მიხედვით)	105 dB(A)	
ვიბრაცია a _h	წინა სახელ ური	5.158 მ/წმ ² K=1.5 მ/წმ ²
	უკანა სახელ ური	5.537 მ/წმ ² K=1.5 მ/წმ ²

- მითითებული ვიბრაციის სრული მნიშვნელობა გაზომილია სტანდარტული ტესტირების მეთოდით და შესაძლოა გამოყენებულ იქნას ერთი ხელსაწყოს მეორესთან შედარებისას.
- მითითებული ვიბრაციის სრული მნიშვნელობა ასევე შესაძლოა გამოყენებულ იქნას ზემოქმედების პირველადი შეფასებისას.

შენიშვნა: ელექტრული ხელსაწყოს ვიბრაციის ემისია გამოყენებისას შესაძლოა განსხვავდებოდეს მითითებული ოდენობისგან; მომხმარებელმა ხელსაწყოთი სარგებლობისას საჭიროა გამოიყენოს ხელთათმანები და ყურის დამცავი საშუალებები.

აღწერა

შეისწავლეთ თქვენი კაჭკური ხერხი (ნახ. 1)

1. შესაზეთი ნასვრეტი
2. ხერხის ძელი
3. ხერხის ჯაჭვი
4. ზეთის საცავის ხუფი
5. ხერხის უკუცემის მუხრუჭის სახელური
6. წინა სახელური
7. აკუმულატორის მოხსნის დილაკი
8. ჩამკეტი დილაკი
9. ჩამრთველი ტრიგერი სიჩქარის რეგულირებით
10. ელექტრული კონტაქტები
11. ამოღების მექანიზმი
12. ზეთის შემოწმების ფანჯარა
13. უკანა სახელური
14. LED დილაკი
15. LED პროექტორები
16. მაკონვენსირებელი წვეტები

KA

210

უსადენო ჯაჭკური ხერხი — CS1800E

- 17. ჯაჭვის დაჭიმვის მარეგულირებელი კნობი
- 18. გვერდითი ხუფი

- 19. ჯაჭვის შალითა

შეფუთვის ჩამონათვალი

ნაწილის დასახელება	რაოდენობა
ჯაჭვური ხერხის ელექტრული თავი	1
ხერხის ჯაჭვი	1
ხერხის ძელი	1
ჯაჭვის შალითა	1
მომხმარებლის ინსტრუქცია	1

- 6. შეცვალეთ გვერდითა ხუფი და სრულად დაუჭირეთ ჯაჭვის დაჭიმვის მარეგულირებელი კნობი. გვერდითა ხუფში არსებული ექსცენტრიკული კბილანის დიზაინი უზრუნველყოფს ჯაჭვის ზედმეტი დაჭიმულობისაგან დაცვას.
- 7. მოიყვანეთ ხერხის უკუღმობის მუხრუჭის სახელური სამუშაო პოზიციაში, შემდეგ კი დაატრიალეთ ჯაჭვი ხელით გახლართვის შესამოწმებლად, რათა შეაფასოთ მისი სათანადოდ აწყობა. წინააღმდეგ შემთხვევაში, ხელახლა ააწყვეთ ჯაჭვი და ძელი.

ანცობა

ძელის და ჯაჭვის აწყობის/გამოცვლის წესი

▲ გაფრთხილება: მოიყვანეთ ჯაჭვის უკუღმობის მუხრუჭის ბერკეტი ჩამკვეთ პოზიციაში აწყობამდე.

- მოათავსეთ ჯაჭვური ხერხის ელექტრული თავი გვერდზე ისე რომ გვერდითა ხუფი იყოს ზედა მხარეს (ნახ. 2).
- მოხსენით გვერდითა ხუფი გვერდითა ხუფის კნობის საათის ისრის საწინააღმდეგო მიმართულებით დატრიალებით
- მოათავსეთ ახალი ჯაჭვის მარყუჭი ბრტყელ ზედაპირზე და გაასწორეთ ნებისმიერი გადახლართვა.
- მოათავსეთ ჯაჭვის მამოძრავებელი რგოლები ძელის სიდრუეში და დარწმუნდით რომ ჯაჭვი შემოევლება ძელს უკანა მხრიდან (ნახ. 3).

3-1	ჯაჭვის მამოძრავებელი რგოლები
3-2	ძელის სიდრუე

- დაიჭირეთ ჯაჭვი ძელზე ამ პოზიციაში და ჩამოცვით მარყუჭი ელექტრული თავის კბილანს (ნახ. 4).

შენიშვნა: პატარა მიმართულების ისრები ამოტივთვლიან ხერხის ჯაჭვსა და ელექტრულ თავზე. როდესაც კბილანზე აჯვამთ ჯაჭვის მარყუჭს დარწმუნდით რომ ჯაჭვზე არსებული მიმართულების ისრები ემთხვევა ელექტრულ თავზე დატანილ მიმართულების მარკინგებს.

შენიშვნა: ხერხის ძელზე ხრახნით სარეგულირო ფირფიტა არის მიმაგრებული. თუ ხერხის ძელი საჭიროებს შეცვლას, მოხსენით მას სარეგულირო ფირფიტა და დამგრეთ ის ახალ ძელზე როგორც ნახ.5-ზე არის ნაჩვენები

ექსპლუატაცია

გამოყენება

თქვენ შეგიძლიათ ამ ხელსაწყოს გამოყენება ხის მოჭრის, გასხევის, გასხვლის და ხეების და ხის მასალის გახერხვის მიზნით.

შენიშვნა: ხელსაწყოს გამოყენება შესაძლებელია მხოლოდ დანიშნულებისამებრ. სხვა ნებისმიერი სარგებლობა ჩაითვლება როგორც არამიზნობრივი გამოყენების შემთხვევა

აკუმულატორის ჩამაგრება/მოსხნა სრულად დატენით პირველ ჯერზე სარგებლობამდე.

გამოიყენეთ მხოლოდ ქვემოთ ჩამოთვლილი EGO-ს აკუმულატორის ნაკრებები და დამტენები:

აკუმულატორი	დამტენი მოწყობილობა
BA1120E, BA2240E, BA1400, BA2800, BA3360, BA4200, BA1400T, BA2800T, BA4200T, BA5600T	CH2100E, CH5500E

KA

ჩამაგრებისთვის

გაუსწორეთ აკუმულატორის სამაგრები ბუდის ნასვრეტებს და დააწექით აკუმულატორს, სანამ არ

გაიგებთ „წკაპ“ ხმას (ნახ. 6).

მოხსნისთვის

დააჭირეთ აკუმულატორის გამწვებ ღილაკს და ამოიღეთ აკუმულატორი (ნახ. 7).

LED პროექტორები

LED პროექტორები (ნახ. 1-15) მოთავსებულია ჯაჭვური ხერხის ელექტრული თავის წინ. ეს ფუნქცია უზრუნველყოფს დამატებით განათებას ხილვადობის გაზრდის მიზნით და რეგულირებადია 2 სიკაშკაშის დონეზე.

შუქის ჩასართავად დააჭირეთ LED ღილაკს ერთხელ (ნახ. 1-14). პროექტორები ანათებენ კამკაშა სინათლით ხერხის წინ. დააჭირეთ LED ღილაკს ხელმეორედ, რათა პროექტორებმა უფრო მეტად განათონ.

პროექტორების გამოსართავლად მესამედ დააჭირეთ LED ღილაკს.

ჯაჭვური ხერხის ჩართვა/გამორთვა ჯაჭვური ხერხის ჩართვა/გამორთვა

შენიშვნა: ჯაჭვური ხერხის ჩართვამდე შეამოწმეთ ჯაჭვის დაჭიმვის დონე და ზეთის რაოდენობა, ხერხის კბილები დაბლაგვებულ და უკუცემის მუხრუჭის ბერკეტი სწორად მუშაობაზე. ამასთან, იქონიეთ მყარი საყრდენი და დაიცავით მართებული დისტანცია მიწიდან.

ჩასართავად

1. მოქაჩეთ ხერხის უკუცემის მუხრუჭის სახელურს ხერხის წინა სახელურისკენ, რათა მოათავსოთ სამუშაო პოზიციოში
2. მჭიდროდ მოკიდეთ ხელი წინა და უკანა სახელურებს ორივე ხელის გამოყენებით.
3. ჯერ დააჭირეთ ჩამკეტ ღილაკს, შემდეგ დააჭირეთ თითო ჩამრთველ ტრიგერს დასაწყებად. ხერხის სიჩქარე გაიზრდება სიჩქარის რეგულირების მქონე ჩამრთველ ტრიგერზე დაწოლის გაზრდით.
4. ხელი გაუშვით ჩამკეტ ღილაკს და გააგრძელეთ სიჩქარის რეგულირების მქონე ჩამრთველ ტრიგერზე თითის დაჭერა მუშაობის გასაგრძელებლად.

სწორად ჩაჭიდება სახელურებზე (ნახ. 8)

- ჩაიცვით სრიალის საწინააღმდეგო ხელთათმანები მაქსიმალური მოჭიდებისა და უსაფრთხოებისთვის.
- მყარ, ბრტყელ ზედაპირზე მოთავსებული ხერხი დაიჭირეთ მჭიდროდ ორივე ხელით.
- ყოველთვის ჩაჭიდეთ წინა სახელურს

მარცხენა ხელი და უკანა სახელურს - მარჯვენა.

- თითები უნდა შემოეჭიდოს სახელურს, ცერა თითი წინა სახელურის ქვედა მხარეს.

⚠ გაფრთხილება: არასოდეს გამოიყენოთ მარცხენა-ხელის (გადანაცვლებული) დაჭერა ან ნებისმიერი სხვა პოზიცია, რომელიც მოაყოლებს თქვენს ხელს ან მკლავს ჯაჭვის ხაზის გასწვრივ (ნახ. 9)

ჭრის მართებული პოზიცია (ნახ. 10)

- ორივე ფეხი უნდა იდგეს მყარად მიწაზე, წონა მათზე თანაბრად გადანაწილებული უნდა იყოს.
- მარცხენა ხელი უნდა იყოს გამართული გაშლილი იდაყვით. ეს გეხმარება გაუძლიოთ უკუცემის დროს წარმოქმნილ ძალებს.
- თქვენი ხეული ყოველთვის უნდა იყოს ხერხის ხაზის მარცხენა მხარეს.

ჭრა

ჭრის ძირითადი ტექნიკა:

- ვისაც აქამდე არ გამოგიყენებიათ ხელსაწყო, გთხოვთ თავდაპირველად ივარჯიშოთ ხარაჩოზე ან ოწინარზე მოთავსებული ძელების ან მორების გახერხვაზე.
- დაიწყეთ ჭრა ძელის ხეზე მსუბუქი დაწოლით. გამოიყენეთ მხოლოდ მსუბუქი დაწოლა, მიეცით ხერხს საშუალება თავად გაჭრას
- ჭრის მიმდინარეობისას შეინარჩუნეთ მუდმივი სიჩქარე, და მოხსენით დაწოლა ჭრის დასრულების ბოლო მომენტში.

⚠ გაფრთხილება: როდესაც ხერხის ჯაჭვი ჩაიჭირება ხერხის პროცესში, ხელი გაუშვით ჩამრთველ ტრიგერს, ამოიღეთ ხერხის ჯაჭვი და ჯაჭვური ხერხი ხიდან და ხელახლა ჩართეთ იგი.

⚠ გაფრთხილება: არ მოქაჩოთ ხერხის ჯაჭვი ხელით, როცა იგი გაჭედილია ნახერხის გამო.

⚠ გაფრთხილება: არასოდეს ჩართოთ ჯაჭვური ხერხი, როცა ის ეხება ხეს. ყოველთვის მიეცით ჯაჭვურ ხერხს საშუალება მიაღწიოს მაქსიმალურ სიჩქარეს მისით გახერხვის დაწყებამდე.

ხის მოჭრა

- როდესაც ხდება ხის მოჭრის და დახერხის პროცედურა ორი ან მეტი პირის მიერ ერთდროულად, დახერხის პროცედურა ხის მოჭრის პროცედურისგან უნდა იყოს დაშორებული მოსახერხი ხის სიმაღლის

ორმაგი მანძილით. ხე არ უნდა მოიჭრას ისეთი წესით, რომელიც საფრთხეს შეუქმნის სხვა პირს, დაეცემა გადამცემ ხაზს ან გამოიწვევს რაიმე ქონების დაზიანებას. თუ ხე შეეხება გადამცემ ხაზებს, დაუყონებლოვ შეატყობინეთ მათზე პასუხისმგებელ კომპანიას.

- ჯაჭვური ხერხის ოპერატორი უნდა იდგეს მალლოზზე, რადგან ხე სავარაუდოდ დაგორდება დაბლა მოჭრის შემდეგ.
- გასაქცევი გზა უნდა დაიგეგმოს და გაიწმინდოს დაბრკოლებებისგან ხის მოჭრის დაწყებამდე. გასაქცევი გზა უნდა გაგრძელდეს ხის დაცემის მოსალოდნელი მიმართულების უკან და დიაგონალურად, როგორც ნახ. 11-ზე არის ნაჩვენები.

11-1 ხის წაქცევის მიმართულება

- ხის მოჭრამდე გაითვალისწინეთ ხის ბუნებრივი დახრა, დიდი ტოტების მდებარეობა და ქარის მიმართულება რათა განსაზღვროთ რა მიმართულებით დაეცემა ხე.
- მოაცილეთ ხეს ჭუჭყი, მოშვებული მერქანი, ლურსმნები, ჭიკარტები და სადენები.

ქვედა ჭდის დაღება

დაადეთ ხეს მისი დიამეტრის 1/3 სიღრმის ქდე, წაქცევის მიმართულების მართობულად, როგორც ნახ. 12-ზე არის ნაჩვენები. ჯერ გააკეთეთ ქვედა ჰორიზონტალური ქდე. ეს დაგეგმარებათ თავიდან აარიდებთ ხერხის ჯაჭვის ან ძელის ჩაყოლა, როდესაც გააკეთებთ მეორე ქდეს.

ხის წაქცევის საპირისპირო განაკვეთი

- გააკეთეთ ხის წაქცევის საპირისპირო განაკვეთი მინიმუმ 50 მმ-ით მაღლა, ვიდრე წინა ჰორიზონტალური ქდე, როგორც ნახ. 12-3 არის ნაჩვენები.

12-1	დაცემის მიმართულება	12-3	ხის წაქცევის საპირისპირო განაკვეთი
12-2	ქდე	12-4	სახსარი

გაკეთეთ ხის წაქცევის საპირისპირო განაკვეთი ჰორიზონტალური ქდის პარალელურად. ისე გააკეთეთ ხის წაქცევის საპირისპირო განაკვეთი, რომ დარჩეს საკმარისი ხე შუაში სახსრად. დარჩენილი სახსარი იკავებს ხეს, რათა იგი არ დატრიალდეს და არ წაიქცეს არასწორი მიმართულებით. არ გაჭრათ სახსრის განივად.

- როდესაც ნაქდეები სახსართან ახლოს დაედება, ხე დაიწყებს დაცემას. თუ არსებობს იმის შანსი რომ ხე არ დაეცემა სასურველი მიმართულებით ან გამოქანდება უკან და ჩაითრევს ხერხის ჯაჭვს, გააჩერეთ ხერხვის პროცესი ხის წაქცევის განაკვეთის დასრულებამდე და გამოიყენეთ ხის, პლასტმასის ან ალუმინის სოლები რათა გახსნათ განაკვეთი და წააქციოთ ხე სასურველი მიმართულებით.
- როდესაც ხე დაიწყებს დაცემას, ამოიღეთ ხერხი განაკვეთიდან, გააჩერეთ მოტორი, დადეთ ხერხი და გამოეცალეთ წინასწარ დაგეგმილი გაქცევის მიმართულებით. უფრთხილდით ჩამოვადნილ ტოტებს და არ დაგიცდეთ ფეხი.

ხის გასხევა

გასხევა არის დაცემული ხის ტანიდან ტოტების მოცილება. გასხევისას დატოვეთ დიდი ქვედა ტოტები, რათა მიწიდან აწეული ძელი დაეცრდნოს მათ. მოაცილეთ მცირე ტოტები ერთი გახერხვით, როგორც ნახ. 13-ზე არის ნაჩვენები. დაჭიმული ტოტები უნდა მოიხერხოს ქვევიდან ზევით, რათა თავიდან აირიდოთ ჯაჭვური ხერხის გახართვა.

მორის დახერხვა

- დახერხვა ნიშნავს მორის სიგრძეში ნაწილებად დაყოფას. მნიშვნელოვანია დარწმუნდეთ, რომ თქვენი საყრდენი მყარია და თქვენი წონა ორივე ფეხზე თანაბრად არის გადანაწილებული. როდესაც შესაძლებელია მორი უნდა აიწიოს და გამაგრდეს ტოტებით, სხვა მორებით ან საყრდენი სოლებით. მისიღეთ მარტივ მითითებებს ადვილი ხერხვისთვის.
- როცა მორს აქვს საყრდენი მისი მთლიანი სიგრძის გასწვრივ როგორც ნახ. 14 არის ნაჩვენები, იგი იხერხება ზევიდან (ზედა განაკვეთი).
- როცა მორს აქვს საყრდენი მისი მთლიანი სიგრძის მხოლოდ ერთ ბოლოში როგორც ნახ. 15 არის ნაჩვენები, გააკეთეთ ქდე ქვევიდან დიამეტრის 1/3 სიღრმით
- (ქვედა განაკვეთი). შემდეგ დაასრულეთ გახერხვა ზედა განაკვეთით, რომელიც შეერთდება პირველ ქდეთან.
- როცა მორს აქვს საყრდენი მისი მთლიანი სიგრძის ორივე ბოლოში როგორც ნახ. 16 არის ნაჩვენები, გააკეთეთ ქდე ზევიდან დიამეტრის 1/3 სიღრმით (ზედა განაკვეთი). შემდეგ დაასრულეთ გახერხვა ქვედა

KA

განაკვეთით დიამეტრის 2/3-ზე, რომელიც შეერთდება პირველ ჭედსთან.

- როდესაც ხერხავთ დამრეცზე, ყოველთვის იდეით მორის ფერდობის ზედა მხარეს, როგორც ნახ. 17 არის ნაჩვენები.
- როდესაც „გამჭოლად ხერხავთ“, კონტროლის შესანარჩუნებლად აუშვით ხერხის დაწოლა გაჭრის ბოლოს ხერხის სახელურებზე მოჭიდების მოდუნების გარეშე. არ მისცეთ საშუალება ჯაჭვს შეეხოს მიწას. ხერხვის დასრულების შემდეგ, დაელოდეთ ხერხის ჯაჭვის გაჩერებას, სანამ გაამომრავებთ ჯაჭვურ ხერხს. ყოველთვის გააჩერეთ მოტორი ხიდან ხეზე გადასვლისას.

ექსპლუატაცია

ძელის და ჯაჭვის მეთის ავსება.

შენიშვნა: ჯაჭვური ხერხი არ არის ზეთით სავსე შემქმნის მომენტში. აუცილებელია ავზის შევსება ზეთით ხელსაწყოს გამოყენებამდე. ჯაჭვი ავტომატურად იბოხება ზეთით მუშაობის პროცესში.

1. მოათავსეთ ჯაჭვური ხერხი გვერდზე ისე, რომ ზეთის საცავის ხუფი იყოს თქვენს მხარეს.
2. გაწმინდეთ ხუფი და მის გარემოში არე, შემდეგ დაატრიალეთ საათის ისრის საწინააღმდეგო მიმართულებით მოსახსნელად (ნახ. 18).
3. ფრთხილად ჩაასხით სპეციალურად განკუთვნილი ზეთი სანამ ფილტრის ყელის ბოლოს არ მიაღწევთ.
4. მოწმინდეთ ნარჩენი ზეთი და დაუჭირეთ ხუფი.

შენიშვნა: ხელსაწყოს სწორ პოზიციაში ზეთი უნდა ავსებდეს შემოწმების ფანჯარას. თუ ზეთი აღარ ჩანს შემოწმების ფანჯარაში, დაუყოვნებლივ გააჩერეთ ხელსაწყო და შეავსეთ ზეთით.

განმეორება

- ყოველი გამოყენების შემდეგ მოაცილოთ ნარჩენი ჯაჭვს და ძელს რბილი ფუნჯით. გადაწმინდეთ ჯაჭვური ხერხის ზედაპირი სუფთა, ნოტიო ქსოვილით და რბილი საუცივი საშუალებით.
- მოხსენით გვერდითა ხუფი, შემდეგ გამოიყენეთ რბილი ფუნჯი რათა მოაცილოთ ნარჩენი ძელს, ხერხის ჯაჭვს, კბილანას და გვერდითა ხუფს.

- ყოველთვის ამოწმინდეთ ნაფოტები, ნახერხი და ჭუჭყი ძელის სიღრმედან როდესაც ცვლით ხერხის ჯაჭვს.

ხერხის ძელის ექსპლუატაცია

როდესაც ხერხის ძელს დატყობა ცვეთის ნიშნები, მოხსენით ის ჯაჭვური ხერხის ელექტრულ თავს და მოაბრუნეთ ხელახალი აწყობისთვის (ნახ. 19), რის შედეგადაც ცვეთა გადანაწილდება მის სრულ არეზე და გაიზრდება მისი მუშა ციკლი.

ხერხის ძელი უნდა გაიწმინდოს ყოველ დღე სარგებლობისას და შემოწმდეს ცვეთასა და დაზიანებაზე. ხერხის ძელის რელსზე ცალმხრივი ცვეთა და უსწორმასწორობები არის ძელის ცვეთის ნორმალური პროცესი. მსგავსი ტიპის უსწორმასწორობები უნდა გამოიწვიოს მათი გამოჩენისთანავე. ქვევით ჩამოთვლილი პრობლემების მქონე ძელი უნდა შეიცვალოს.

- ძელის რელსების შიგნით არსებული ცვეთა, რომელიც საშუალებას აძლევს ჯაჭვს მობრუნდეს.
- გაღუნული ხერხის ძელი.
- გაზზარული ან გატეხილი რელსები.
- გაშლილი რელსები.

ასევე, ხერხის ძელს გააჩნია კბილანა მის წვერთან (ნახ. 20-1). კბილანის შეზეთვა საჭიროა ყოველკვირეულად ზეთის შპრიცით, რათა გაზარდოთ ძელის სიცოცხლის ხანგრძლიობა (ნახ. 21). გამოიყენეთ ზეთის შპრიცი, რათა ყოველკვირეულად შეზეთოთ ჯაჭვის ზეთით შესაზეთი ნასვრეტის საშუალებით (ნახ. 20-2). მოატრიალეთ ძელი და დარწმუნდით რომ შესაზეთი ნასვრეტებსა და ძელის სიღრმეში არაა უცხო სხეულები.

ჯაჭვის მოვლის წესი

გამოიყენეთ მხოლოდ მცირე უკუცემის მქონე ჯაჭვები ამ ხერხზე. სწრაფად მჭრელი ჯაჭვი შეამცირებს უკუცემას სწორი ექსპლუატაციის შემთხვევაში.

სწორად გალესილი ხერხის ჯაჭვი ხერხავს ხეს ძალისხმევით გარეშე. მცირე დაწოლის შემთხვევაშიც კი. არასოდეს გამოიყენოთ ბლაგვი ან დაზიანებული ხერხის ჯაჭვი. ბლაგვი კბილები ხერხის ჯაჭვზე ზრდიან ფიზიკურ დატვირთვას, ვიბრაციას, იწვევენ არადამაკმაყოფილებელ ჭრის შედეგებს და იწვევენ ცვეთას.

გლუვი და სწრაფი ხერხვისთვის, საჭიროა ჯაჭვის რეგულარული სწორი სერვისი. ჯაჭვი საჭიროებს გალესვას როცა ნახერხი არის მცირე და ძეტრის მსგავსი, ხერხზე საჭიროა ძალის დატანება ჭრისას ან ჯაჭვი ჭრის მხოლოდ ერთ მხარეს. თქვენი ჯაჭვის სერვისის დროს დაითვალისწინეთ შემდეგი:



- გვერდითა ფილის არასწორმა დამაგრებამ შესაძლოა გაზარდოს სერიოზული უკუცემის რისკი.
- სიღრმის ნიშნულებიდან დაშორება. ძალიან მცირე დაშორება ზრდის უკუცემის რისკს. არასაკმარისად მცირე დაშორება ამცირებს ხერხვის უნარს.
- თუ მჭრელი კბილები შეეჯახა მყარ საგნებს, როგორცაა ლურსმანი ან ქვა, ან გაიხეხა ხეზე არსებული ტალახის ან ქვიშის მიერ, გააღესინეთ ჯაჭვი კვალიფიციურ სერვისის ტექნიკოსს.

ტრანსპორტირება და შენახვა

- არ შეინახოთ ან არ მოახდინოთ ჯაჭვური ხერხის ტრანსპორტირება ჩართულ მდგომარეობაში. ყოველთვის მოხსენით აკუმულატორი შენახვამდე ან ტრანსპორტირებამდე.
- ყოველთვის გაუკეთეთ ძელის და ჯაჭვის შალითა ხერხს მის შენახვამდე ან ტრანსპორტირებამდე გამოიჩინეთ სიფრთხილე ჯაჭვის მჭრელ რგოლებთან მიმართებაში.
- საგულდაგულოდ გაწმინდეთ ჯაჭვური ხერხი შენახვამდე. შეინახეთ ჯაჭვური ხერხი შენობაში მშრალ, დაკეტილ და/ან ბავშვებისთვის მიუწვდომელ ადგილას.
- მოაცილეთ კოროზიის გამოწვევი ნივთიერებები, როგორცაა სოფლის მეურნეობაში გამოყენებული ქიმიკატები და მოყინვის საწინააღმდეგო ტექნიკური მარილი.

გარემოს დაცვა



WEEE (ელექტრული ნარჩენები და ელექტრული მოწყობილობები)

არ მოახდინოთ ელექტრული მოწყობილობის, დამტენის და აკუმულატორის / მისი ბატარეების მოთავსება საყოფაცხოვრებო ნაგავში! მიუტანეთ ისინი ავტორიზირებულ ნარჩენების გადამამუშავებელს და მოახდინეთ ასეთი ნარჩენის განცალკევებულად შეგროვება. ელექტრული ხელსაწყოები უნდა ჩაბარდეს ნარჩენების გადამამუშავებელ ორგანოს გარემოს დაცვის ნორმების გათვალისწინებით.

KA

გაუმართაობის დიაგნოსტიკა

პრობლემა	მიზეზი	გადაჭრის გზა
მოტორი არ ირთვება.	<ul style="list-style-type: none"> აკუმულატორი არ არის შეერთებული ხერხზე. ხერხსა და აკუმულატორს შორის არ არის ელექტრული კონტაქტი. აკუმულატორი დაცლილია. აკუმულატორი ან ხერხი ზედმეტად გაცხელებულია. ჯაჭვის მუხრუჭი ჩართულია. ბელის სიდრუმში უცხო სხეულებია. უცხო სხეულები გვერდითა ხუფში. 	<ul style="list-style-type: none"> მიუერთეთ აკუმულატორი ჯაჭვურ ხერხს. მოხსენით აკუმულატორი, შეამოწმეთ კონტაქტები და კვლავ მოათავსეთ იგი უკან. დატენეთ აკუმულატორი. აცალეთ ჯაჭვურ ხერხს ან აკუმულატორს გაგრილება 67°C-ის ქვევით. მოქაჩეთ ხერხის უკუცემის მუხრუჭის სახელურს ხერხის წინა სახელურისკენ, რათა მოათავსოთ სამუშაო პოზიციაში. დაადეთ ხერხის ჯაჭვი ხეს, ამოძრავეთ ხერხი წინ და უკან უცხო სხეულების მოსაცილებლად. მოხსენით აკუმულატორი, შემდეგ მოუშვით გვერდითა ხუფი და გაწმინდეთ უცხო სხეულებისგან.
ჯაჭვური ხერხი ჩერდება მუშაობის პროცესში.	<ul style="list-style-type: none"> ხერხი გადატვირთულია. აკუმულატორი ან ხერხი ზედმეტად გაცხელებულია. ხერხის ჯაჭვი გაჭედილია ხეში. 	<ul style="list-style-type: none"> შეამცირეთ დატვირთვა. შეამცირეთ დატვირთვა. აცალეთ ჯაჭვურ ხერხს ან აკუმულატორს გაგრილება 67°C-ის ქვევით. ხელი გაუშვით ჩამრთველ ტრიგერს; ამოიღეთ ხერხის ჯაჭვი და ჯაჭვური ხერხი ხიდან და ხელახლა ჩართეთ ხერხი.
მოტორი ირთვება, მაგრამ ჯაჭვი არ მოძრაობს.	<ul style="list-style-type: none"> ჯაჭვი არ ატრიალებს მოძრავ კბილანას. უცხო სხეულები უშლის ხერხის უკუცემის მუხრუჭის სახელურს სრულ გადაადგილებას. შესაძლოა ჯაჭვის მუხრუჭის ფუნქციონირების დარღვევა. 	<ul style="list-style-type: none"> თავიდან დაამონტაჟეთ ხერხის ჯაჭვი, დარწმუნდით რომ ჯაჭვის მამოძრავებელი რგოლები სრულიად მორგებულია კბილანას. უცხო სხეულები უშლის ხერხის უკუცემის მუხრუჭის სახელურს სრულ გადაადგილებას. მიმართეთ EGO-ს კლიენტთა მომსახურების ცენტრს შეკეთებისთვის.

KA

პრობლემა	მიზეზი	გადაჭრის გზა
<p>ჯაჭვური ხერხი არ ჭრის სათანადოდ.</p>	<ul style="list-style-type: none"> ■ არასაკმარისი ჯაჭვის დაჭიმულობა. ■ ზლაგვი ჯაჭვი. ■ ჯაჭვი უკუღმა არის დაყენებული. ■ გაცვეთილი ჯაჭვი. ■ მშრალი ან ზედმეტად გაჭიმული ჯაჭვი. 	<ul style="list-style-type: none"> ■ მოუშვით ჯაჭვის დაჭიმვის მარეგულირებელი კნოპი მინიმუმ ორჯერ საათის ისრის საწინააღმდეგო მიმართულებით და შემდეგ სრულად დაუჭირეთ იგი საათის ისრის მიმართულებით, სანამ ჯაჭვი სრულად არ დაიჭიმება. ■ გალესეთ ჯაჭვის კბილები, ისე როგორც აღწერილია სექციაში „როგორ გავლესოთ ჯაჭვის კბილები“. ■ მოხსენით აკუმულატორი და დაამონტაჟეთ ჯაჭვი თავიდან, როგორც აღწერილია სექციაში „ძელის და ჯაჭვის აწყობის/გამოცვლის წესი“. ■ მოხსენით აკუმულატორი და შეცვალეთ ჯაჭვი, როგორც აღწერილია სექციაში „ძელის და ჯაჭვის აწყობის/გამოცვლის წესი“. ■ შეამოწმეთ ზეთის რაოდენობა ზეთის საცავში. შეავსეთ ზეთის საცავი საჭიროებისდა მიხედვით.
<p>ჯაჭვი ვარდება ხერხის ძელიდან.</p>	<ul style="list-style-type: none"> ■ არასაკმარისი ჯაჭვის დაჭიმულობა. ■ ჯაჭვი არ ატრიალებს მოძრავ კბილანას. 	<ul style="list-style-type: none"> ■ მოუშვით ჯაჭვის დაჭიმვის მარეგულირებელი კნოპი მინიმუმ ორჯერ საათის ისრის საწინააღმდეგო მიმართულებით და შემდეგ სრულად დაუჭირეთ იგი საათის ისრის მიმართულებით, სანამ ჯაჭვი სრულად არ დაიჭიმება. ■ თავიდან დაამონტაჟეთ ხერხის ჯაჭვი, სექციაში „ძელის და ჯაჭვის აწყობის/გამოცვლის წესი“ აღწერილი ინსტრუქციის მიხედვით. დარწმუნდით რომ ჯაჭვის მამომრავებელი რგოლები სრულიად მორგებულია კბილანას.
<p>ძელი და ხერხი ცხელდება და უშვებს კვამლს.</p>	<ul style="list-style-type: none"> ■ ჯაჭვის ზეთის საცავი ცარიელია. ■ ძელის სიდრუეში უცხო სხეულებია. 	<ul style="list-style-type: none"> ■ ძელის და ჯაჭვის ზეთის ავსება. ■ მოაცილეთ უცხო სხეულები ძელის სიდრუეს.



გარანტია

EGO-ს გარანტიის მომსახურების წესი

გთხოვთ ეწვიოთ ვებ-გვერდს egopowerplus.com, რათა მიიღოთ EGO-ს საგარანტიო მომსახურების სრული დადგენილებები და პირობები.

KA

218

უსადენო ჯაჭვური ხერხი — CS1800E

PROČITAJTE SVA UPUTSTVA!



PROČITAJTE PRIRUČNIK ZA RUKOVAOCA

⚠ Rezidualni rizik! Osobe sa elektronskim uređajima, poput pejsmejкера, treba da konsultuju svog lekara (svoje lekare) pre upotrebe ovog proizvoda. Rukovanje električnom opremom u neposrednoj blizini srčanog pejsmejкера moglo bi da izazove smetnje ili otkazivanje pejsmejкера.

SIGURNOSNI SIMBOL

Svrha sigurnosnih simbola je da vam skrenu pažnju na moguće opasnosti. Sigurnosni simboli i objašnjenja uz njih zaslužuju vašu pomnu pažnju i shvatanje. Simboli

SIGURNOSNI SIMBOLI



Sigurnosno upozorenje



Nosite zaštitu za oči



Nosite zaštitu za glavu



Vodilica



Povratni udarac vrha vodilice



Ne izlažite kiši.



Otpadne električne proizvode ne bi trebalo odlagati zajedno sa otpadom iz domaćinstva. Odnosite ih u ovlašćeni pogon za reciklažu.

V Volt



Jednosmerna struja



Da bi smanjio rizik od povreda, korisnik pre korišćenja ovog proizvoda mora pročitati i shvatiti priručnik za rukovaoca.



Nosite zaštitu za uši



Nosite zaštitne rukavice



Nemojte da upotrebljavate lančanu testeru sa jednom rukom.



Lančanu testeru uvek upotrebljavajte sa dve ruke.



Pazite na povratni udar lančane testere i izbegavajte kontakt sa vrhom mača.



Buka

min⁻¹ Obrtaji u minutu

CE CE

SPECIFIKACIJE

Voltaža	56 V 	
Preporučena radna temperatura:	-15°C-40°C	
Preporučena temperatura skladištenja:	-20°C-70°C	
Optimalna temperatura punjenja	5 °C-40 °C	
Brzina lanca	20 m/s	
Korak lanca	9,5 mm	
Dubina lanca	1,3 mm	
Tip lanca	91PX062X 90PX056X 90PX052X	
Tip vodilice	180SDEA041 164MLEA041 144MLEA041	
Zapremina rezervoara za ulje	200 mL	
Težina (bez baterije, navlake za lanac)	4,4kg	
Izmereni nivo jačine zvuka L_{WA}	103,53 dB(A) K=1,17 dB(A)	
Nivo zvučnog pritiska kod uha rukovaoca L_{PA}	92,53 dB(A) K=3,0 dB(A)	
Garantovan nivo jačine zvuka L_{WA} (prema 2000/14/EC)	105 dB(A)	
Vibracije a_h	Prednja drška	5,158 m/s ² K=1,5 m/s ²
	Zadnja drška	5,537 m/s ² K=1,5 m/s ²

- Deklarisana ukupna vrednost vibracije je izmerena u skladu sa standardnim metodom testiranja i može se koristiti za upoređivanje jednog alata sa drugim;
- Deklarisana ukupna vrednost vibracije može se koristiti i u preliminarnoj proceni izlaganja.

NAPOMENA: Emisija vibracija tokom stvarne upotrebe električnog alata može da se razlikuje od deklarisanе vrednosti u kojoj se alat koristi. Da bi se rukovalec zaštitio, korisnik bi trebalo da nosi rukavice i štitnike za uši u stvarnim uslovima korišćenja.

SR

OPIS

UPOZNAJTE SVOJU MOTORNU TESTERU (slika 1)

1. Rupica za podmazivanje

2. Vodilica
3. Lanac
4. Čep rezervoara za ulje
5. Ručica kočnice lanca
6. Prednja drška
7. Dugme za otključavanje baterije
8. Dugme za zaključavanje
9. Okidač varijabilne brzine
10. Električni kontakti
11. Mehanizam izbacivanja
12. Prozor za inspekciju ulja
13. Zadnja drška
14. LED dugme
15. LED prednja svetla
16. Šiljci za sečenje na komade
17. Dugme za brzo podešavanje zategnutosti lanca
18. Bočni poklopac
19. Navlaka za lanac

POPIS PAKOVANJA

NAZIV DELA	KOLIČINA
Glava motorne testere	1
Lanac	1
Vodilica	1
Navlaka za lanac	1
Priručnik za rukovaoca	1

SKLAPANJE

SKLAPANJE/ZAMENJIVANJE VODILICE I LANCA

UPOZORENJE: Pre sastavljanja podesite ručicu kočnice lanca za povratni udar u položaj za kočenje.

1. Postavite pogonsku glavu motorne testere na bočnu stranu, sa bočnim poklopcem okrenutim nagore (slika 2).
2. Skinite bočni poklopac tako što ćete okrenuti dugme za brzo podešavanje zategnutosti lanca suprotno kazaljki na satu
3. Položite novi lanac testere u petlju na ravnu površinu i izravnajte sve vijuge.
4. Stavite pogonske alke lanca u žleb na vodilici i

napravite petlju od lanca na zadnjoj strani vodilice (slika 3).

3-1	Pogonske alke lanca
3-2	Žleb vodilice

- Držite lanac na njegovom mestu na vodilici i stavite petlju oko lančanika pogonske glave (slika 4).

NAPOMENA: Strelice koje pokazuju smer su urezane na lancu testere i pogonskoj glavi. Kad pravite petlju lanca testere na vodilici, vodite računa da smer strelica na lancu testere odgovara smeru strelice na pogonskoj glavi.

- Vratite bočni poklopac na mesto i potpuno zategnite dugme za brzo podešavanje zategnutosti lanca. Ekscentrični zupčanik unutar bočnog poklopca je dizajniran da osigura da lanac ne bude prekomerno zategnut
- Podesite ručicu kočnice lanca u radni položaj a zatim okrećite lanac rukom da biste proverili da li je lanac pravilno sklopljen bez zapinjania. U suprotnom, ponovo sklopite lanac i vodilicu.

NAPOMENA: Postoji ploča za podešavanje koja je vijkom povezana sa vodilicom. Ako vodilicu treba zameniti, rasklopite ploču za podešavanje sa vodilice i ponovo je sklopite na novu vodilicu, kako je prikazano na slici 5.

RUKOVANJE

PRIMENA

Ovaj proizvod možete da koristite za osnovno obaranje stabala, sečenje grana, orezivanje i sečenje drveta.

NAPOMENA: Alat treba koristiti samo za propisanu svrhu. Svaka druga upotreba smatra se slučajem zloupotrebe

SPAJANJE/ODVAJANJE BATERIJE

Potpuno napunite pre prve upotrebe.

Koristite samo sa EGO baterijama i punjačima navedenim ispod:

BATERIJA	PUNJAČ
BA1120E, BA2240E, BA1400, BA2800, BA3360, BA4200, BA1400T, BA2800T, BA4200T, BA5600T	CH2100E, CH5500E

Za spajanje

Poravnajte rebra baterije sa prorezima za montiranje i pritisnite bateriju nadole dok ne čujete „klik“ (slika 6).

Za odvajanje

Pritisnite dugme za otključavanje baterije i izvucite bateriju (slika 7).

LED PREDNJA SVETLA

LED prednje svetlo (slika 1-15) se nalazi na prednjoj strani pogonske glave motorne testere. Ova funkcija pruža dodatno svetlo radi povećane vidljivosti i može se podesiti na 2 nivoa jačine.

Da biste uključili svetla, pritisnite LED dugme (slika 1-14) jednom. Prednja svetla daju jarku svetlost ispred motorne testere. Pritisnite LED dugme po drugi put i svetla će svetleti jače.

Da biste isključili prednja svetla, pritisnite LED dugme po treći put.

POKRETANJE/ZAUSTAVLJANJE MOTORNE TESTERE

Pre pokretanja motorne testere

NAPOMENA: Pre pokretanja motorne testere, proverite brzo podešavanje zategnutosti lanca i nivo ulja, oštrinu zuba testere i funkcionisanje ručice kočnice. Takođe je potrebno i uravnoteženo uporište i pravilna udaljenost od tla.

Za pokretanje

- Povucite ručicu kočnice lanca prema prednjoj drški, u radni položaj.
- Čvrsto uhvatite prednju i zadnju dršku, koristeći obe ruke.
- Pritisnite i držite dugme za zaključavanje a zatim pritisnite okidač varijabilne brzine da biste pokrenuli testeru. Brzina lanca će se povećavati sa povećavanjem pritiska na okidač varijabilne brzine.
- Pustite dugme za zaključavanje i nastavite da pritisnete okidač varijabilne brzine za neprekidni rad.

Pravilan hvat na drškama (slika 8)

- Nosite rukavice koje se ne kliču zbog maksimalnog hvata i zaštite.
- Dok je testera na čvrstoj, ravnoj površini, uhvatite je čvrsto sa obe ruke.
- Uvek hvatajte prednju dršku levom rukom a zadnju dršku desnom rukom.
- Prsti treba da obuhvate dršku a palac da se savije ispod nje.

⚠ UPOZORENJE: Nikad ne koristite levoruki (ukršteni) hvat ili bilo koji stav koji bi postavio vaše telo ili ruku preko linije lanca (slika 9).

SR

Pravilan stav za sečenje (slika 10)

- Oba stopala treba da budu na čvrstom tlu, sa težinom ravnomerno raspoređenom na oba stopala.
- Leva ruka treba da bude ispružena a levi lakat ukočen. To pomaže da se oduprete silama koje stvara povratni udarac.
- Vaše telo uvek treba da bude sa leve strane linije lanca.

SEČENJE

Osnovno sečenje

- Korisnik koji prvi put upotrebljava testeru treba da obavi sečenje trupaca na stalku ili ulagaču.
- Započnite sečenje tako što ćete lagano pritisnuti vodilicu na drvo. Koristite samo slab pritisak, puštajući testeru da uradi posao
- Održavajte ravnomernu brzinu tokom celog sečenja, smanjujući pritisak neposredno pre kraja sečenja.

⚠ UPOZORENJE: Kad se lanac zaustavi zbog ukleštenja tokom sečenja, pustite okidač, izvadite lanac i vodilicu iz drveta, a zatim ponovo pokrenite motornu testeru.

⚠ UPOZORENJE: Ne vucite lanac testere rukom kad se zaglavi zbog piljevine.

⚠ UPOZORENJE: Nikad ne pokrećite testeru kad je u kontaktu sa drveto. Uvek pustite da motorna testera dosegne punu brzinu pre no što je prinesete drvetu.

OBARANJE DRVETA

- Kada operacije sečenja na komade i obaranja drveta rade dve ili više osoba u isto vreme, operaciju obaranja treba odvojiti od operacije sečenja na udaljenost od najmanje dvostruke visine drveta koje se obara. Drveće ne bi trebalo obarati na način koji bi ugrozio neku osobu, udario električni vod ili izazvao oštećenje imovine. Ako drvo ipak dođe u kontakt sa električnim vodom, odmah treba obavestiti elektrodistribuciju.
- Rukovalac motornom testerom treba da stoji na višoj strani tla jer će se drvo verovatno otkotrljati ili skliznuti nizbrdo nakon što bude oboreno.
- Put za izbegavanje pada drveta treba isplanirati i po potrebi raščistiti, pre no što započne sečenje. Put za izbegavanje pada drveta treba da se pruža unazad i dijagonalno, na suprotnoj strani drveta od očekivane linije pada, kako je prikazano na slici 11.

11-1	Smer obaranja
------	---------------

- Pre no što započnete obaranje, uzmite u obzir prirodni nagib drveta, lokaciju većih grana i smer vetra da biste prosudili na koju stranu će drvo pasti.

- Uklonite zemlju, kamenje, labavu koru, eksere, staplere i žice sa drveta.

Pravljenje donjeg ureza

Napravite urez od 1/3 prečnika drveta, upravno na smer pada, kako je ilustrovano na slici 12. Prvo napravite donji horizontalni rez. To će vam pomoći da izbegnete ukleštenje lanca testere ili vodilice kad budete pravili drugi rez.

Zadnji urez

- Napravite zadnji urez najmanje 50 mm iznad horizontalnog donjeg ureza, kako je prikazano na slici 12-3.

12-1	Smer pada	12-3	Zadnji urez
12-2	Urez	12-4	Zglob

Držite zadnji urez paralelnim sa horizontalnim donjim urezom. Napravite zadnji urez tako da ostane dovoljno drveta koje će se ponašati kao zglob. Zglob sprečava uvrtanje drveta i padanje u pogrešnom smeru. Ne secite kroz zglob.

- Kako se sečenje približava zglobu, drvo bi trebalo da počne da pada. Ako postoji ikakva šansa da drvo neće pasti u željenom smeru ili da će se zaljuljati unazad i pritisnuti lanac testere, prekinite sečenje pre nego što pravljenje zadnjeg ureza bude završeno i koristite klinove od drveta, plastike ili aluminijuma za otvaranje reza i obaranje drveta u željenoj liniji pada.
- Kad drvo počne da pada, izvadite motornu testeru iz reza, zaustavite motor, spustite motornu testeru na tlo, a zatim krenite planiranim putem za povlačenje. Pazite na grane koje padaju odgore i gledajte gde stajete.

Sečenje grana

Sečenje grana je uklanjanje grana sa oborenog drveta. Kad sečete grane, ostavite veće donje grane da podupiru stablo iznad zemlje. Uklanjajte male grane jednim rezom, kako je prikazano na slici 13. Grane pod tenzijom treba seći odole nagore da bi se izbeglo zaglavljivanje motorne testere.

Sečenje stabla na komade

- Sečenje na komade je sečenje oborenog stabla na manje komade. Važno je da vodite računa da vam uporište bude čvrsto i da vam težina bude ravnomerno raspoređena na obe noge. Kad god je to moguće, stablo treba podići i podupreti pomoću grana, panjeva ili klinova. Pratite ova jednostavna uputstva za lako sečenje.
- Kad je stablo poduprto celom dužinom, kako je prikazano na slici 14, seče se odgore.
- Kad je stablo poduprto na jednom kraju, kako je prikazano na slici 15, secite 1/3 prečnika sa donje strane.

- Zatim napravite završni rez sečenjem odgore dok ne dođete do prvog reza.
- Kad je stablo poduprto na oba kraja, kako je prikazano na slici 16, secite 1/3 prečnika sa gornje strane. Zatim napravite završni rez sečenjem odole donje 2/3 dok ne dođete do prvog reza.
- Kad sećete na nagibu, uvek stojte uzbrdo od stabla, kako je prikazano na slici 17.
- Kad „prosecate“, da biste zadržali potpunu kontrolu, smanjite pritisak sečenja pred kraj reza bez opuštanja hvata na drškama motorne testere. Ne dozvolite da lanac dođe u kontakt sa tlom. Nakon završavanja reza, sačekajte da se lanac zaustavi pre no što preместite motornu testeru. Uvek zaustavite motor pre prelaska sa jednog drveta na drugo.

ODRŽAVANJE

SIPANJE MAZIVA ZA VODILICU I LANAC

NAPOMENA: U motornoj testeri nema ulja u vreme kupovine. Suštinski je važno napuniti rezervoar uljem pre upotrebe. Lanac se automatski podmazuje uljem tokom rada.

1. Postavite motornu testeru na bočnu stranu sa poklopcem rezervoara okrenutim nagore.
2. Očistite poklopac kao i oblast oko njega a zatim ga okrenite suprotno kazaljki na satu da biste ga skinuli (slika 18).
3. Pažljivo uspite specifično dizajnirano ulje u rezervoar dok ne dosegne donji deo vrata filtera.
4. Obrišite eventualni višak ulja i vratite poklopac.

NAPOMENA: U uspravnom položaju, ulje bi trebalo da napuni prozor za inspekciju. Kad se ulje više ne vidi u prozoru za inspekciju, odmah prekinite upotrebu i dopunite ga.

ČIŠĆENJE

- Nakon svake upotrebe, očistite prljavštinu sa lanca i vodilice pomoću meke četke. Obrišite površinu motorne testere čistom krpom navlaženom rastvorom blagog sapuna.
- Skinite bočni poklopac a zatim mekom četkom uklonite prljavštinu sa vodilice, lanca, lančanika i bočnog poklopca.
- Uvek očistite iverje, piljevinu i zemlju iz žleba vodilice kad zamenjujete lanac.

ODRŽAVANJE VODILICE

Kad vodilica pokaže znake habanja, rasklopite je sa

pogonske glave motorne testere i obrnite je radi ponovnog sklapanja (slika 19), što će rasporediti habanje radi maksimalnog radnog veka vodilice.

Vodilicu treba čistiti svakog dana upotrebe i proveravati da li je pohabana i oštećena. Krivljenje ili deformisanje šina vodilice je normalan proces habanja vodilice. Takve nedostatke treba izravnati turpijom čim se pojave. Vodilicu sa bilo kojim od sledećih nedostataka treba zameniti.

- Habanje unutar šina vodilice koje omogućava lancu da leži bočno.
- Savijena vodilica.
- Napukle ili polomljene šine.
- Raširene šine.

Pored toga, vodilica ima lančanik na vrhu (slika 20-1). Lančanik se mora svake nedelje podmazivati špricom za mazivo da bi se produžio radni vek vodilice (slika 21). Koristite špric za mazivo da biste svake nedelje podmazali uljem za lanac kroz rupicu za podmazivanje (slika 20-2). Okrenite vodilicu i proverite da li u rupicama za podmazivanje i žlebu lanca ima nečistoća.

ODRŽAVANJE LANCA

Na ovoj testeri koristite samo lance sa malim povratnim udarcem. Ovaj brzi lanac za sečenje će omogućiti smanjenje povratnog udara ako se pravilno održava.

Pravilno naoštren lanac seče drvo bez napora, čak i sa veoma malo pritiska. Nikad ne koristite tup ili oštećen lanac. Tup zub lanca testere dovodi do povećanog fizičkog naprezanja, povećanih vibracija, nezadovoljavajućih rezultata sečenja i povećanog habanja.

Za glatko i brzo sečenje, lanac treba pravilno održavati. Lancu je potrebno oštrenje kad je iverje sitno i praškasto, kad se lanac mora siliti kroz drvo tokom sečenja ili kad lanac seče na jednu stranu. Tokom održavanja lanca, uzmite u obzir sledeće:

- Nepravilan ugao turpijanja bočne ploče može da poveća rizik od ozbiljnog povratnog udara.
- Zazor merača dubine. Suviše nizak povećava potencijal za povratni udarac. Nedovoljno nizak smanjuje sposobnost sečenja.
- Ako zubi udare tvrde predmete, poput eksera i kamenja, ili ako su izjedeni blatom ili peskom na drvetu, odnesite lanac na oštrenje kod kvalifikovanog servisnog tehničara.

TRANSPORTOVANJE I SKLADIŠTENJE

- Ne skladištite ili transportujte motornu testeru dok radi. Uvek izvadite bateriju pre skladištenja ili transportovanja.

SR

- Uvek stavite navlaku za vodilicu na vodilicu i lanac pre skladištenja ili transportovanja motorne testere. Budite oprezni da biste izbegli oštre zube lanca.
- Temeljno očistite motornu testeru pre no što je uskladištite. Skladištite motornu testeru u zatvorenom prostoru, na suvom mestu koje je zaključano i/ili nije dostupno deci.
- Držite dalje od korozivnih sredstava poput baštenskih hemikalija i soli za odmrzavanje.

Zaštita životne sredine



WEEE (otpadna električna i elektronska oprema)

Ne odlažite električnu opremu, potrošene baterije i punjače u kućni otpad! Odnosite ovaj proizvod u ovlašćeni pogon za reciklažu ili ga odvojite od ostalog smeća radi zasebnog prikupljanja. Električni alati moraju se odneti u ekološki prihvatljiv pogon za reciklažu.

REŠAVANJE PROBLEMA

PROBLEM	UZROK	REŠENJE
Motor se ne pokreće.	<ul style="list-style-type: none"> ■ Baterija nije spojena na motornu testeru. ■ Nema električnog kontakta između testere i baterije. ■ Baterija je prazna. ■ Baterija ili motorna testera su prevrući. ■ Kočnica lanca je aktivirana. ■ Priljavština u žlebu vodilice. ■ Priljavština u bočnom poklopcu. 	<ul style="list-style-type: none"> ■ Spojite bateriju na motornu testeru. ■ Izvadite bateriju, proverite kontakte i ponovo instalirajte bateriju. ■ Napunite bateriju. ■ Ostavite bateriju ili motornu testeru da se hlade dok temperatura ne padne ispod 67 °C. ■ Povucite ručicu kočnice unazad prema prednjoj drški da bi došla u radni položaj. ■ Pritisnite lanac na drvo i pomerajte motornu testeru unapred i unazad da biste uklonili priljavštinu. ■ Izvadite bateriju a zatim skinite bočni poklopac i očistite priljavštinu.
Motorna testera prestaje da radi tokom rukovanja.	<ul style="list-style-type: none"> ■ Motorna testera je preopterećena. ■ Baterija ili motorna testera su prevrući. ■ Lanac testere je zaglavljen u drvetu. 	<ul style="list-style-type: none"> ■ Smanjite opterećenje. ■ Smanjite opterećenje. Ostavite bateriju ili motornu testeru da se hlade dok temperatura ne padne ispod 67 °C. ■ Pustite okidač, izvadite lanac i vodilicu iz drveta, a zatim ponovo pokrenite motornu testeru.
Motor radi ali lanac se ne okreće.	<ul style="list-style-type: none"> ■ Lanac ne dodiruje pogonski lančanik. ■ Priljavština sprečava potpuno kretanje ručice kočnice. ■ Moguć kvar kočnice lanca. 	<ul style="list-style-type: none"> ■ Ponovo instalirajte lanac, vodeći računa da pogonske alke na njemu budu potpuno postavljene na lančanik. ■ Priljavština sprečava potpuno kretanje ručice kočnice. ■ Obratite se EGO korisničkoj službi za popravku.

PROBLEM	UZROK	REŠENJE
Motorna testera ne seče pravilno.	<ul style="list-style-type: none"> ■ Nedovoljna zategnutost lanca. ■ Tup lanac. ■ Lanac instaliran unazad. ■ Pohaban lanac. ■ Suv ili prekomerno rastegnut lanac. 	<ul style="list-style-type: none"> ■ Prvo olabavite dugme za brzo podešavanje zategnutosti lanca najmanje dva kruga suprotno kazaljki na satu a zatim ga potpuno zategnite u smeru kazaljke na satu dok lanac ne bude pravilno zategnut. ■ Naoštrite zube lanca, prateći odeljak „KAKO NAOŠTRITI ZUBE“. ■ Ponovo instalirajte lanac testere, prateći odeljak „SKLAPANJE/ZAMENJIVANJE VODILICE I LANCA“. ■ Zamenite lanac testere, prateći odeljak „SKLAPANJE/ZAMENJIVANJE VODILICE I LANCA“. ■ Proverite nivo ulja u rezervoaru za ulje. Dopunite rezervoar za ulje ako je neophodno.
Lanac spada sa vodilice.	<ul style="list-style-type: none"> ■ Nedovoljna zategnutost lanca. ■ Lanac ne dodiruje pogonski lančanik. 	<ul style="list-style-type: none"> ■ Prvo olabavite dugme za brzo podešavanje zategnutosti lanca najmanje dva kruga suprotno kazaljki na satu a zatim ga potpuno zategnite u smeru kazaljke na satu dok lanac ne bude pravilno zategnut. ■ Ponovo instalirajte lanac, prateći odeljak „SKLAPANJE/ZAMENJIVANJE VODILICE I LANCA“, vodeći računa da pogonske alke na lancu budu potpuno postavljene na lančanik.
Vodilica i lanac se zagrevaju i dime.	<ul style="list-style-type: none"> ■ Rezervoar ulja za lanac je prazan. ■ Prijavština u žlebu vodilice. 	<ul style="list-style-type: none"> ■ Sipajte mazivo za vodilicu i lanac. ■ Očistite prijavštinu iz žleba.

GARANCIJA

EGO POLITIKA GARANCIJE

Posetite veb-lokaciju egopowerplus.com za potpune uslove i odredbe EGO politike garancije.

PROČITAJTE UPUTSTVO U CIJELOSTI!



PROČITAJTE KORISNIČKI PRIRUČNIK.

⚠ Preostale opasnosti! Osobe s elektroničkim uređajima poput srčanih elektrostimulatora prije upotrebe ovog proizvoda trebaju se posavjetovati sa svojim ljekarom. Rad električne opreme u neposrednoj blizini srčanih elektrostimulatora može uzrokovati smetnju ili kvar srčanog elektrostimulatora.

SIGURNOSNI SIMBOL

Svrha sigurnosnih simbola je skretanje pažnje na moguće opasnosti. Sigurnosni simboli i njihova objašnjenja zahtijevaju vašu potpunu pažnju i razumijevanje. Sami

simboli upozorenja sami po sebi ne isključuju opasnost. Uputstva i upozorenja koja pružaju nisu zamjena za propisne mjere za prevenciju nesreća.

⚠ UPOZORENJE! Prije upotrebe ovog alata pobrinite se da sva sigurnosna uputstva u ovom korisničkom priručniku, uključujući sve sigurnosne simbole kao što su “OPASNOST”, “UPOZORENJE” i “OPREZ” pročitate s razumijevanjem. Zanemarivanje svih uputstava navedenih u nastavku može rezultirati strujnim udarom, požarom i/ili teškim tjelesnim povredama.

ZNAČENJE SIMBOLA

Na ovoj stranici slikovno su prikazani i objašnjeni sigurnosni simboli koji se mogu pojaviti na ovom proizvodu. Prije pokušaja sastavljanja i rukovanja, s razumijevanjem pročitajte sva uputstva na proizvodu i pridržavajte ih se.

SIGURNOSNI SIMBOLI



Simbol upozorenja



Nosite zaštitu za oči.



Nosite zaštitu za glavu.



Vodilica



Povratni udar na vrhu vodilice



Ne izlažite uređaj kiši.



Otpadni električni proizvodi ne smiju se odlagati s otpadom iz domaćinstva. Onesite ih u ovlaštenu centar za reciklažu.

V Volt



Istosmjerna struja



Radi smanjenja opasnosti od povreda, prije upotrebe ovog proizvoda korisnik treba s razumijevanjem pročitati ovaj korisnički priručnik.



Nosite zaštitu za sluh.



Nosite zaštitne rukavice.



Motornu žagu nemojte upotrebljavati s jednom rukom.



Motornu žagu uvijek upotrebljavajte s dvjema rukama.



Pazite na povratni udar motorne žage i izbjegavajte kontakt s vrhom vodilice.




Buka

min⁻¹ Okretaji u minuti

CE CE

BS

TEHNIČKI PODACI

Napon	56 V 	
Preporučena radna temperatura:	-15°C-40°C	
Preporučena temperatura skladištenja:	-20°C-70°C	
Optimalna temperatura punjenja	5 °C-40 °C	
Brzina lanca	20 m/s	
Korak lanca	9,5 mm	
Veličina karike lanca	1,3 mm	
Tip lanca žage	91PX062X 90PX056X 90PX052X	
Tip vodilice	180SDEA041 164MLEA041 144MLEA041	
Zapremina spremnika ulja za lanac	200 ml	
Masa (bez kompleta baterija, zaštitne navlake za lanac)	4,4kg	
Izmjereni nivo zvučne snage L_{WA}	103,53 dB(A) K=1,17 dB(A)	
Nivo zvučnog pritiska kod uha rukovaoca L_{PA}	92,53 dB(A) K=3,0 dB(A)	
Zagarantovani nivo zvučne snage L_{WA} (u skladu s Direktivom 2000/14/EZ)	105 dB(A)	
Vibracije a_h	Prednji rukohva	5,158 m/s ² K=1,5 m/s ²
	Stražnji rukohvat	5,537 m/s ² K=1,5 m/s ²

- Deklarisane ukupne vrijednosti vibracija izmjerene su u skladu sa standardnom metodom ispitivanja i mogu se primjenjivati za poređenje jednog alata s drugim.
- Deklarisane ukupne vrijednosti vibracija mogu se primjenjivati i u preliminarnoj procjeni izloženosti.

NAPOMENA! Emisija vibracija tokom aktuelne upotrebe električnog alata može se razlikovati od deklarisanе vrijednosti u kojoj se alat upotrebljavao; Korisnik radi zaštite treba nositi rukavice i štitičke za uši u aktuelnim uslovima upotrebe.

BS OPIS

UPOZNAJTE SVOJU MOTORNU ŽAGU (sl. 1)

228

AKUMULATORSKA MOTORNA ŽAGA — CS1800E

1. Otvor za podmazivanje
2. Vodilica
3. Lanac žage
4. Čep spremnika ulja
5. Ručica kočnice lanca za povratni udar
6. Prednji rukohvat
7. Dugme za oslobađanje baterije
8. Dugme za deblokadu
9. Okidni prekidač za varijabilnu brzinu
10. Električni kontakti
11. Mehanizam za izbacivanje
12. Kontrolno okno za ulje
13. Stražnji rukohvat
14. LED dugme
15. Prednja LED svjetla
16. Odstojnici
17. Okretno dugme za brzo podešavanje zategnutosti lanca
18. Bočni poklopac
19. Zaštitna navlaka za lanac

LISTA PAKOVANJA

NAZIV DIJELA	KOLIČINA
Pogonska glava motorne žage	1
Lanac žage	1
Vodilica	1
Zaštitna navlaka za lanac	1
Korisnički priručnik	1

SASTAVLJANJE

POSTAVLJANJE/ZAMJENA VODILICE I LANCA

⚠ UPOZORENJE! Prije sastavljanja podesite ručicu kočnice lanca za povratni udar u položaj kočenja.

1. Pozicionirajte pogonsku glavu motorne žage na njezinoj strani bočnog poklopca okrenutog prema gore (sl. 2).
2. Skinite bočni poklopac okretanjem okretnog dugmeta za brzo podešavanje zategnutosti lanca u smjeru suprotnom smjeru kretanja kazaljki na satu.
3. Položite novi lanac žage kružno na ravnu površinu i ispravite eventualne pregibe.

4. Stavite pogonske karike lanca u žlijeb vodilice tako da se na stražnjoj strani vodilice napravi omča (sl. 3).

3-1	Pogonske karike lanca
3-2	Žlijeb vodilice

5. Držite lanac u položaju na vodilici i stavite omču oko lančanika pogonske glave (sl. 4).

NAPOMENA! Na lancu žage i pogonskoj glavi utisnute su male strelice za smjer. Kada omču lanca žage stavljate na vodilicu, vodite računa da smjer strelica na lancu žage bude u skladu sa smjerom strelice na pogonskoj glavi.

6. Ponovo postavite bočni poklopac i potpuno pritegnite okretno dugme za brzo podešavanje zategnutosti lanca. Ekscentrični prijenosnik u bočnom poklopcu konstruisan je kako bi se osiguralo da se lanac previše ne zategne.
7. Ručicu kočnice lanca za povratni udar namjestite u radni položaj, a zatim zarotirajte lanac rukom kako biste provjerili je li lanac propisno postavljen bez spajanja. U suprotnom ponovo postavite lanac i vodilicu.

NAPOMENA! Ovdje je ploča za podešavanje spojena na vodilicu s vijkom. Ako je vodilicu potrebno zamijeniti, skinite ploču za podešavanje s vodilice i ponovo je postavite na novu vodilicu kako je prikazano na sl. 5.

RAD

PRIMJENA

Ovaj proizvod možete upotrebljavati za osnovno obaranje stabala, orezivanje grana, obrezivanje i sječu rezane građe i drveća.

NAPOMENA! Alat se smije upotrebljavati samo za prethodno opisanu namjenu. Svaka druga upotreba smatra se nepropisnom upotrebom.

POSTAVLJANJE/SKIDANJE KOMPLETA BATERIJA

Komplet baterija napunite prije prve upotrebe.

Upotrebljavajte samo komplete baterija i punjače proizvođača EGO navedene u nastavku:

BATERIJA	PUNJAČ
BA1120E, BA2240E, BA1400, BA2800, BA3360, BA4200, BA1400T, BA2800T, BA4200T, BA5600T	CH2100E, CH5500E

Postavljanje

Poravnajte kontakte baterije s montažnim utorima i pritisnite komplet baterija prema dolje dok ne začujete zvuk "klikanja" (sl. 6).

Skidanje

Pritisnite dugme za otpuštanje baterije i izvucite komplet baterija (sl. 7).

PREDNJA LED SVJETLA

Prednje LED svjetlo (sl. 1 - 15) nalazi se s prednje strane pogonske glave motorne žage. Ova funkcija omogućuje dodatno svjetlo za povećanu vidljivost i može se podesiti na 2 nivoa svjetline.

Za uključivanje svjetala jednom pritisnite LED dugme (sl. 1 - 14). Prednja svjetla pružaju jaku svjetlost s prednje strane motorne žage. Pritisnite LED dugme drugi put i prednja svjetla svijetliti će još jače.

Za isključivanje prednjih svjetala pritisnite LED dugme treći put.

POKRETANJE/ZAUSTAVLJANJE MOTORNE ŽAGE

Prije pokretanja motorne žage

NAPOMENA! Prije pokretanja motorne žage provjerite brzo podešavanje zategnutosti lanca i nivo ulja, oštrinu zuba žage i propisnu funkciju ručice kočnice za povratni udar. Dodatno su potrebni stabilno uporište i propisna udaljenost od tla.

Pokretanje

1. Ručicu kočnice lanca za povratni udar povucite prema prednjem rukohvatu u radni položaj.
2. Objema rukama čvrsto prihvatite prednji i stražnji rukohvat.
3. Za pokretanje žage pritisnite dugme za deblokadu i držite ga pritisnutim, a zatim pritisnite okidni prekidač za varijabilnu brzinu. Brzina lanca povećavat će se s povećanim pritiskom na okidač za varijabilnu brzinu.
4. Otpustite dugme za deblokadu i nastavite stiskati okidni prekidač za varijabilnu brzinu za kontinuirani rad.

Propisno držanje rukohvata (sl. 8)

- Za maksimalni prihvat i zaštitu nosite neklizajuće rukavice.
- Žagu na čvrstoj, ravnoj površini držite čvrsto objema rukama.

- Prednji rukohvat uvijek prihvatite lijevom, a stražnji rukohvat desnom rukom.
- Prsti trebaju obuhvatati rukohvat s palcem savijenim ispod prednjeg rukohvata.

▲ UPOZORENJE! Nemojte nikada upotrebljavati lijevi (poprečni) prihvat niti položaj koji vaše tijelo ili ruku postavlja preko linije lanca (sl. 9).

Propisan položaj pri rezanju (sl. 10)

- Oba stopala trebaju biti na čvrstom tlu uz tjelesnu masu ravnomjerno raspoređenu između njih.
- Lijeva ruka treba biti ispružena uz fiksirani lakat. Taj položaj će pomoći da se oduprete silama koje stvara povratni udar.
- Vaše tijelo uvijek mora biti s lijeve strane linije lanca.

POSTUPAK REZANJA

Osnovni postupak rezanja

- Korisnik koji prvi put upotrebljava žagu treba obaviti rezanje trupaca na stalku ili ulagaču za žaganje.
- Počnite rezati blagim pritiskom vodilice na drvo. Primijenite blagi pritisak puštajući žagu da odradi posao.
- Održavajte konstantnu brzinu cijelim rezom otpuštajući pritisak neposredno pred kraj reza.

▲ UPOZORENJE! Kada se lanac žage zaustavi zbog zaglavljivanja tokom postupka rezanja, otpustite okidni prekidač, uklonite lanac žage i vodilicu iz drveta, a zatim ponovo pokrenite motornu žagu.

▲ UPOZORENJE! Nemojte povlačiti lanac žage rukom kada je obuhvaćen piljevinom.

▲ UPOZORENJE! Nemojte nikada pokretati motornu žagu kada je u kontaktu s drvom. Prije rezanja drveta uvijek pričekajte da motorna žaga dostigne punu brzinu.

OBARANJE STABALA

- Kod radova rezanja po dužini i obaranja stabala koje istovremeno obavljaju dvije osobe ili više osoba, radove obaranja stabala potrebno je razdvojiti od radova rezanja po dužini razdaljinom od najmanje dvije visine stabla koje se obara. Stabla se ne smiju obarati na način kojim će se ugroziti osobe, udariti u opskrbnu mrežu ili uzrokovati materijalnu štetu. Ako stabla dođu u kontakt s opskrbnom mrežom, odmah je potrebno obavijestiti odnosno preduzeće.
- Rukovalac motornom žagom treba stajati na uzvišenoj strani terena jer će se drvo nakon obaranja vjerovatno otkrotjati ili skliznuti nizbrdo.

- Prije početka postupka rezanja potrebno je isplanirati i prema potrebi očistiti put za sklanjanje od padajućeg stabla. Put za sklanjanje od padajućeg stabla treba se protezati nazad i dijagonalno prema stražnjem dijelu očekivane linije pada kako je prikazano na sl. 11.

11-1	Smjer obaranja stabla
------	-----------------------

- Prije početka postupka obaranja stabla, za procjenu putanje pada stabla uzmite u obzir prirodnu nagutost stabla, lokaciju većih grana i smjer vjetera.
- Sa stabla uklonite priljavnost, kamenje, odvojenu koru, eksere, spajalice i žicu.

Zarezivanje

Napravite urez 1/3 prečnika stabla, okomito naspram smjera pada kako je prikazano na sl. 12. Najprije obavite niže vodoravno zarezivanje. To će pomoći u izbjegavanju zaglavljivanja lanca žage ili vodilice pri pravljenju drugog ureza.

Rez obaranja

- Rez obaranja napravite najmanje 50 mm više od vodoravnog zarezivanja kako je prikazano na sl. 12-3.

12-1	Smjer pada	12-3	Rez obaranja
12-2	Žlijeb	12-4	Zglob

Rez obaranja održavajte paralelnim u odnosu na vodoravno zarezivanje. Rez obaranja napravite tako da ostane dovoljno drveta da djeluje kao zglob. Zglob sprečava zakretanje stabla i pad stabla u pogrešnom smjeru. Nemojte rezati kroz zglob.

- Kako se rezovi za obaranje približavaju zglobu, stablo treba početi da pada. Ako postoji mogućnost da drvo ne padne u željenom smjeru ili da se zaniže unazad i blokira lanac žage, obustavite radove rezanja prije završetka reza obaranja i upotrijebite klinove od drveta, plastike ili aluminijuma da otvorite rez i ispustite stablo duž željene linije pada.
- Kada stablo počne da pada, uklonite motornu žagu iz reza, zaustavite motor, odložite motornu žagu, a zatim upotrijebite planiranu putanju za povlačenje. Pazite na grane iznad glave koje padaju i vodite računa o uporištu.

Orezivanje grana stabla

Orezivanje grana je uklanjanje grana s oborenog stabla. Prilikom orezivanja grana ostavite veće niže grane kao pomoć za odizanje debla s tla. Male grane uklonite jednim rezom kako je prikazano na sl. 13. Napete grane potrebno je rezati odozdo prema gore kako bi se izbjegla blokada motorne žage.

Rezanje po dužini

- Rezanje po dužini je uzdužno rezanje debla. Važno je da osigurate čvrsto uporište i da tjelesna masa bude ravnomjerno raspoređena na oba stopala. Ako je moguće, deblo treba podići i poduprijeti pomoću grana, debla ili klinova. Pridržavajte se jednostavnih smjernica za lako rezanje.
- Kada je deblo poduprieto cijelom dužinom kako je prikazano na sl. 14, reže se s gornje strane (odozgo).
- Kada je deblo poduprieto na jednom kraju kako je prikazano na sl. 15, režite 1/3 prečnika debla s donje strane (odozdo). Zatim obavite završni rez odozgo kako biste sastavili s prvim rezom.
- Kada je deblo poduprieto na oba kraja kako je prikazano na sl. 16, režite 1/3 prečnika debla s gornje strane (odozgo). Zatim obavite završni rez odozdo na donjoj 2/3 kako biste sastavili s prvim rezom.
- Kada obavljate rezanje po dužini na nagibu, uvijek stojite na uzvišenoj strani od debla kako je prikazano na sl. 17.
- Kada "odrezujete", za održavanje kompletne kontrole rasteretite pritisak rezanja u blizini kraja reza bez popuštanja zahvata na rukohvatima motorne žage. Nemojte dozvoliti da lanac dođe u kontakt s tlo. Nakon obavljenog reza, pričekajte da se lanac žage zaustavi prije premještanja motorne žage. Uvijek zaustavite motor prije premještanja s drveta na drvo.

ODRŽAVANJE

PUNJENJE MAZIVA ZA VODILICU I LANAC

NAPOMENA! Motorna žaga nije napunjena uljem u vrijeme kupovine. Prije upotrebe važno je da se spremnik napuni uljem. Tokom rada lanac se automatski podmazuje uljem za lanac.

1. Postavite motornu žagu na bočnu stranu sa čepom spremnika ulja okrenutim prema sebi.
2. Očistite čep i okolno područje, a zatim ga okrenite u smjeru suprotnom smjeru kretanja kazaljki na satu kako biste ga skinuli (sl. 18).
3. Pažljivo ulijevajte posebno predviđeno ulje u spremnik dok ne dosegne donji dio vrata filtera.
4. Obrišite višak ulja i ponovo stavite čep.

NAPOMENA! U uspravnom položaju ulje treba ispuniti kontrolno okno. Kada ulje više nije vidljivo u kontrolnom oknu, odmah obustavite upotrebu i dopunite ulje.

ČIŠĆENJE

- Nakon svake upotrebe mekanom četkom očistite naslage s lanca i vodilice. Površinu motorne žage obrišite čistom krpom navlaženom u blagoj sapunici.
- Skinite bočni poklopac, a zatim mekanom četkom očistite naslage s vodilice, lanca žage, lančanika i bočnog poklopca.
- Pri zamjeni lanca žage, iz žlijeba vodilice uvijek očistite drvo iverje, prašinu od žage i prijavštinu.

ODRŽAVANJE VODILICE

Kada se na vodilici pojave znakovi istrošenosti, skinite je s pogonske glave motorne žage i okrenite je naopako za ponovno postavljanje (sl. 19), čime ćete raspodijeliti trošenje radi maksimalnog radnog vijeka vodilice.

Vodilicu je potrebno čistiti svaki dan kada se upotrebljava i provjeriti na postojanje znakova istrošenosti i oštećenja. Stvaranje bridova ili neravnina na šinama vodilice je normalan proces trošenja vodilice. Takve nepravilnosti treba ublažiti turpijom čim se pojave. Vodilicu s bilo kojim od sljedećih nepravilnosti je potrebno zamijeniti.

- Istrošenost unutrašnje strane šina vodilice što omogućuje ležanje lanca sa strana.
- Savijena vodilica.
- Napuknute ili polomljene šine.
- Raširene šine.

Osim toga, vodilica na vrhu ima lančanik (sl. 20 -1). Lančanik je potrebno sedmično podmazivati mazalicom radi produženja radnog vijeka vodilice (sl. 21). Za sedmično podmazivanje s uljem za lanac putem otvora za podmazivanje upotrebljavajte mazalicu (sl. 20 -2). Okrenite vodilicu i provjerite jesu li otvori za podmazivanje i žlijeb lanca očišćeni od nečistoća.

ODRŽAVANJE LANCA

Na ovoj žagi upotrebljavajte samo lance s malim povratnim udarom. Lanac s funkcijom brzog rezanja osigurat će smanjenje povratnog udara kada se propisno održava.

Propisno naoštren lanac žage bez napora reže kroz drvo, čak i uz vrlo mali pritisak. Nemojte nikada upotrebljavati tup ili oštećen lanac žage. Tupi rezači lanca žage dovode do povećanog fizičkog naprezanja, povećanog vibracijskog opterećenja, nezadovoljavajućih rezultata rezanja i povećanog trošenja.

Za besprijeckorno i brzo rezanje potrebno je propisno održavati lanac. Lanac zahtijeva oštrenje kada je drveno iverje malo i praškasto, kada je lanac potrebno potiskivati kroz drvo tokom rezanja ili kada lanac reže na jednu stranu. Tokom radova održavanja na lancu uzmite u obzir sljedeće:

- Nepravilan ugao turpijanja bočne ploče može povećati rizik od jakog povratnog udara.
- Zazor mjerača dubine. Premala vrijednost povećava mogućnost za povratni udar. Nedovoljno mala vrijednost smanjuje sposobnost rezanja.
- Ako su zubi rezača udarili o tvrde predmete kao što su ekseri ili kamenje ili ako su istrošeni uslijed blata ili pijeska na drvetu, oštrenje lanca prepustite kvalifikovanom servisnom tehničaru.

TRANSPORT I SKLADIŠTENJE

- Motornu žagu nemojte skladištiti ili transportovati kada radi. Prije skladištenja ili transporta uvijek izvadite komplet baterija.
- Prije skladištenja ili transporta motorne žage, na vodilicu i lanac uvijek stavite zaštitnu navlaku. Budite oprezni kako biste izbjegli oštre zube lanca.
- Motornu žagu dobro očistite prije skladištenja. Motornu žagu skladištite u zatvorenim prostorima na suhom mjestu koje je zaključano i/li nedostupno djeci.
- Pogonsku jedinicu držite podalje od korozivnih sredstava kao što su vrtna hemijska sredstva i soli za odmrzavanje.

Zaštita životne sredine



WEEE (električna i elektronička oprema koja više nije iskoristiva)

Električnu opremu, iskorištenu bateriju i punjač ne odlažite u kućni otpad! Ovaj proizvod odnesite u ovlaštenu centar za reciklažu i time omogućite odvojeno sakupljanje. Električne alate potrebno je vratiti u ekološki prihvatljiv pogon za reciklažu.

OTKLANJANJE PROBLEMA

PROBLEM	UZROK	RJEŠENJE
Motor se ne pokreće.	<ul style="list-style-type: none"> ■ Komplet baterija nije pričvršćen na motornu žagu. ■ Nema električnog kontakta između žage i baterije. ■ Komplet baterija je ispražnjen. ■ Komplet baterija je previše vruć ili motorna žaga je previše vruća. ■ Kočnica lanca se aktivira. ■ Naslage u žlijebu vodilice. ■ Naslage u bočnom poklopcu. 	<ul style="list-style-type: none"> ■ Pričvrstite komplet baterija na motornu žagu. ■ Izvadite bateriju, provjerite kontakte i ponovo stavite komplet baterija. ■ Napunite komplet baterija. ■ Pričekajte da se komplet baterija ili motorna žaga ohlade na temperaturu ispod 67 °C. ■ Ručicu kočnice lanca za povratni udar povucite nazad prema prednjem rukohvatu u radni položaj. ■ Za uklanjanje naslaga pritisnite lanac žage o drvo i pomičite motornu žagu prema nazad i naprijed. ■ Izvadite komplet baterija, zatim skinite bočni poklopac i očistite naslage.
Motorna žaga prestaje raditi tokom rada.	<ul style="list-style-type: none"> ■ Motorna žaga je preopterećena. ■ Komplet baterija je previše vruć ili motorna žaga je previše vruća. ■ Lanac žage zaglavio se u drvetu. 	<ul style="list-style-type: none"> ■ Smanjite opterećenje. ■ Smanjite opterećenje. Pričekajte da se komplet baterija ili motorna žaga ohlade na temperaturu ispod 67 °C. ■ Otpustite okidni prekidač, izvadite lanac žage i vodilicu iz drva, a zatim ponovo pokrenite motornu žagu.
Motor radi, ali lanac se ne okreće.	<ul style="list-style-type: none"> ■ Lanac ne zahvaća pogonski lančanik. ■ Naslage sprečavaju puno kretanje ručice kočnice lanca za povratni udar. ■ Mogući kvar kočnice lanca. 	<ul style="list-style-type: none"> ■ Ponovo postavite lanac vodeći računa da pogonske karike na lancu potpuno naliježu na lančanik. ■ Naslage sprečavaju puno kretanje ručice kočnice lanca za povratni udar. ■ Za popravak se obratite centru korisničke službe proizvođača EGO.

PROBLEM	UZROK	RJEŠENJE
Motorna žaga ne reže ispravno.	<ul style="list-style-type: none"> ■ Lanac je nedovoljno zategnut. ■ Lanac je tup. ■ Lanac je postavljen naopako. ■ Lanac je istrošen. ■ Lanac je suh ili je previše rastegnut. 	<ul style="list-style-type: none"> ■ Najprije otpustite okretno dugme za brzo podešavanje zategnutosti lanca za najmanje dva okreta u smjeru suprotnom smjeru kretanja kazaljki na satu, a zatim ga potpuno pritegnite u smjeru kretanja kazaljki na satu do ispravne zategnutosti lanca. ■ Naoštrite rezače lanca prema uputstvima u odjeljku “NAČIN OŠTRENJA REZAČA”. ■ Ponovo stavite lanac žage prema uputstvima iz odjeljka “POSTAVLJANJE/ZAMJENA VODILICE I LANCA”. ■ Ponovo stavite lanac žage prema uputstvima iz odjeljka “POSTAVLJANJE/ZAMJENA VODILICE I LANCA”. ■ Provjerite nivo ulja u spremniku ulja. Prema potrebi dopunite ulje u spremniku ulja.
Lanac spada s vodilice.	<ul style="list-style-type: none"> ■ Lanac je nedovoljno zategnut. ■ Lanac ne zahvaća pogonski lančanik. 	<ul style="list-style-type: none"> ■ Najprije otpustite okretno dugme za brzo podešavanje zategnutosti lanca za najmanje dva okreta u smjeru suprotnom smjeru kretanja kazaljki na satu, a zatim ga potpuno pritegnite u smjeru kretanja kazaljki na satu do ispravne zategnutosti lanca. ■ Ponovo stavite lanac prema uputstvima iz odjeljka “POSTAVLJANJE/ZAMJENA VODILICE I LANCA” vodeći računa da pogonske karike na lancu potpuno naliježu na lančanik.
Vodilica i lanac zagrijavaju se i oslobađaju dim.	<ul style="list-style-type: none"> ■ Spremnik ulja za lanac je prazan. ■ Naslage u žlijebu vodilice. 	<ul style="list-style-type: none"> ■ Dopunite mazivo za vodilicu i lanac. ■ Očistite naslage u žlijebu.

GARANCIJA

POLITIKA GARANCIJE PROIZVOĐAČA EGO

Za sve odredbe i uslove politike garancije proizvođača EGO posjetite internetsku stranicu egopowerplus.com.

קראו את כל ההוראות!



קראו את מדריך ההוראות

⚠ סיכון שיורי! אנשים בעלי מכשירים חשמליים כגון קוצבי לב, צריכים להתייעץ עם הרופא(ים) המטפל(ים) בהם לפני השימוש במכשיר זה. הפעלה של ציוד חשמלי בקרבת קוצבי לב עלולה להפריע לפעולת הקוצב או אפילו להפסיק את פעולתו.

סימני הבטיחות בעצמם לא ימנעו כל סכנה. ההוראות והאזהרות אותן הם מספקים לא תחלפנה נקיטת אמצעי מניעה מתאימים בעת תאונה.

⚠ אזהרה: וודאו שאתם קוראים ומבינים את כל ההוראות הבטיחות המופיעות במדריך זה למשתמש, כולל את כל סימני התרעות הבטיחות כגון „סכנה“, „אזהרה“ ו-„זהירות“ לפני השימוש במכשיר זה. אי מילוי אחר כל ההוראות המופיעות למטה יכול לגרום אחריו שוק חשמלי, שרפה ו/או פציעות חמורות.

סמל בטיחות

מטרתם של סימני הבטיחות היא למשוך את תשומת לבכם אל סכנות אפשריות. סימני הבטיחות וההסברים שלהם דורשים את תשומת הלב וההבנה המלאות שלכם.

פירוש הסימן

עמוד זה מציין ומתאר את סימני הבטיחות העשויים להופיע על גבי המוצר. קראו, הבינו ועקבו אחר ההוראות המופיעות על המכשיר לפני כל ניסיון להרכיב ולהשתמש בו.

תוחיטב ינמיס



התראת בטיחות



על מנת להפחית את הסיכון לפציעות, על המשתמש לקרוא ולהבין את המדריך למשתמש לפני השימוש במוצר זה.



לבשו מגני עיניים



לבשו מגני אזניים



לבשו מגני ראש



לבשו כפפות מגן



מוט מנחה



אין להשתמש במסור החשמלי ביד אחת



קצה מוט מנחה לתגובה חזקה לאחור



השתמש במסור החשמלי בשתי ידיך תמיד



נא לא לחשוף לגשם.



היזהר מהדף המסור החשמלי והימנע ממגע עם קצה הלהב



אין לזרוק מוצרים חשמליים ביחד עם אשפה ביתית. הביאו את המכשיר למרכז מחזור מוסמך.



רעש

V

min⁻¹ וולט

סיבובים לדקה



זרם ישיר



CE

HE

235

מפרטים

וולטז'	56 V	
טמפרטורת הפעלה מומלצת:	-15°C-40°C	
טמפרטורת אחסון מומלצת:	-20°C-70°C	
טמפרטורת טעינה אופטימלית	5 °C-40 °C	
מהירות שרשרת	20 מ'/שנייה	
צובט שרשרת	9.5 מ"מ	
מד שרשרת	1.3 מ"מ	
סוג שרשרת מסור	91PX062X 90PX056X 90PX052X	
סוג מוט מנחה	180SDEA041 164MLEA041 144MLEA041	
קיבולת מיכל השמן של השרשרת	200 מ"ל	
משקל (ללא מארז סוללה, נדן שרשרת)	4.4 ק"ג	
רמת עוצמת קול נמדדת L_{WA}	103.53 dB(A) K=1.17 dB(A)	
רמת לחץ קול באוזן המפעיל L_{PA}	92.53 dB(A) K=3.0 dB(A)	
רמת עוצמת קול מובטחת L_{WA} (נמדדת על פי 2000/14/EC)	105 dB(A)	
רט a_n	ידיית קדמית	5.158 מ'/שנייה ² K=1.5 מ'/שנייה ²
	ידיית אחורית	5.537 מ'/שנייה ² K=1.5 מ'/שנייה ²

- ערך הרטט הכללי המוצהר נמדד בהתאם לשיטת בדיקה סטנדרטית וניתן להשתמש בו על מנת להשוות ציוד אחד עם ציוד אחר;
- ניתן להשתמש בערך הרטט הכללי המוצהר בהערכה ראשונית של חשיפה.

הודעה: פליטת הרטט בעת השימוש המעשי בכלי יכולה להיות שונה מן הערך המוצהר כאשר הכלי נמצא בשימוש; על מנת להגן על המפעיל, על המשתמש ללבוש כפפות ומגני אוזניים בעת השימוש למעשה.

תיאור

הכירו את המסור החשמלי שלכם (איור 1)

1. חור שימון
2. מוט מנחה
3. שרשרת מסור

4. מכסה מיכל דלק
5. ידיית הבלימה לתגובה חזקה לאחור של השרשרת
6. ידיית קדמית
7. כפתור שחרור הסוללה
8. כפתור נעילה
9. מתג הדק למהירויות מגוונות
10. חיבורים חשמליים
11. מנגנון פליטה
12. חלון בדיקת שמן
13. ידיית אחורית
14. כפתור לד
15. פנסי לד
16. קוצים דוקרנים
17. ידיית כוונון מהיר עבור מתח השרשרת
18. מכסה צדדי
19. נדן שרשרת

רשימת אריזה

שם חלק	כמות
ראש מתח עבור מסור חשמלי	1
שרשרת מסור	1
מוט מנחה	1
נדן שרשרת	1
מדריך למפעיל	1

הרכבה

הרכבה/החלפה של המוט והשרשרת

⚠ אזהרה: העבר את ידיית הבלימה של הדף המסור למצב בלימה לפני ההרכבה.

1. הניחו את ראש המתח של המסור החשמלי על צידו כאשר המכסה הצדדי פונה כלפי מעלה (איור 2).
2. הסירו את המכסה הצדדי על ידי סיבוב ידיית הכוונון המהיר עבור מתח השרשרת נגד כיוון השעון.
3. הניחו את שרשרת המסור החדשה בלולאה על משטח שטוח ויישרו כל עיקול.
4. הניחו את קישורי ההנעה של השרשרת אל חריץ המוט המנחה ועשו מן השרשרת לולאה בצידו האחורי של המוט המנחה (איור 3).

3-1	קישורי הנעת השרשרת
3-2	חריץ המוט המנחה

5. החזיקו את השרשרת במקומה על גבי המוט המנחה ומקמו את הלולאה מסביב לגלגל השיניים של ראש המתח (איור 4).
- הודעה:** חצים מכוונים קטנים חרוטים בשרשרת המסור ובראש המתח. בעת ביצוע הלולאה של המוט המנחה, וודאו שכיוון החצים על שרשרת המסור יתאים לכיוון החץ הנמצא על ראש המתח.
6. החליפו את המכסה הצדדי והדקו לגמרי את ידית הכוונן המהיר עבור מתח השרשרת. הציוד האקסצנטרי בתוך המכסה הצדדי מעוצב על מנת להבטיח שהשרשרת לא תימתח יתר על המידה.
7. כווננו את ידית הבלימה לתגובה חזקה לאחר של השרשרת על מצב ההפעלה ולאחר מכן סובבו את השרשרת באופן ידני על מנת לבדוק האם השרשרת מונחת כהלכה ללא כריכה. אחרת, הרכיבו מחדש את השרשרת והמוט.

הודעה: ישנו לוח כוונן המחובר אל המוט המנחה עם בורג. אם יש צורך להחליף את המוט המנחה, פרקו את לוח הכוונן מן המוט המנחה והרכיבו אותו מחדש אל המוט המנחה החדש כפי שניתן לראות באיור 5.

הפעלה

יישום

ניתן להשתמש במכשיר זה לכריתה בסיסית, שיסוע, גיזום וחיתוך של עץ ועצים.

הודעה: יש להשתמש במכשיר רק עבור המטרות להן הוא יועד. כל שימוש אחר ייחשב לשימוש בלתי הולם

הצמדה/הסרה של מארז הסוללה

הטעינו לפני השימוש הראשון.

השתמשו רק במארזי הסוללה והמטענים של EGO הרשומים מטה:

מטען	סוללה
CH2100E, CH5500E	BA1120E, BA2240E, BA1400, BA2800, BA3360, BA4200, BA1400T, BA2800T, BA4200T, BA5600T

על מנת להצמיד

יישרו את עורקי הסוללה עם חריצי ההרכבה ולחצו על מארז הסוללה כלפי מטה עד אשר ישמע "קליק" (איור 6).

על מנת להסיר

לחצו על כפתור שחרור הסוללה והוציאו את מארז הסוללה (איור 7).

פנסי לד

פנס הליד (איור 15-1) ממוקם בחלק הקדמי של ראש המתח של המסור החשמלי. מאפיין זה מספק אור נוסף לראות מוגברת וניתן לכוון אותו לשתי רמות בהירות.

על מנת להדליק את האורות, לחצו על כפתור הליד (איור 14) פעם אחת. הפנסים יספקו אור בהיר בחלק הקדמי של המסור החשמלי. לחצו על כפתור הליד בפעם השנייה ואור הפנסים יהיה חזק יותר.

על מנת לכבות את הפנסים, לחצו על כפתור הליד בפעם השלישית.

הפעלה/כיבוי של המסור החשמלי לפני ההפעלה של המסור החשמלי

הודעה: לפני הפעלה של המסור החשמלי, בדקו את כוונן המתח המהיר של השרשרת ואת רמת השמן. את חדות שיני השרשרת ואת רמת התפעול של ידית הבלימה לתגובה חזקה לאחר. בנוסף, יש צורך בעמידה מוצקה והמרחק מתאים מן הקרקע.

ההפעלה

1. משכו את ידית הבלימה לתגובה חזקה לאחר של השרשרת אל עבר הידית הקדמית אל עמדת ההפעלה.
2. אחזו בחוזקה את הידיות הקדמית ואחורית, כאשר אתם משתמשים בשתי הידיים.
3. לחצו והחזיקו את כפתור הנעילה ולאחר מכן לחצו על מתג ההדק למהירויות מגוונות להפעלה. מהירות השרשרת תגבר כאשר הלחץ גובר על מתג ההדק למהירויות מגוונות.
4. שחררו את כפתור הנעילה והמשיכו ללחוץ על מתג ההדק למהירויות מגוונות לפעולה ממושכת.

אחיזה נכונה של הידיות (איור 8)

- לבשו כפפות לא מחליקות לאחיה והגנה מקסימליות.
- כאשר המסור נמצא על משטח מוצק ושטוח, החזיקו את המסור בשתי הידיים.
- אחזו תמיד את הידית הקדמית עם היד השמאלית ואת הידית האחורית עם היד הימנית.
- על האצבעות להקיף את הידית, עם האגודל מלופף סביב הידית הקדמית.

⚠ אזהרה: לעולם אין לאחוז באחיזה הפוכה (ימין במקום שמאל), או בכל אחיזה אחרת אשר תעמיד את הידיים או את חלקי הגוף שלכם מעל לשרשרת החיתוך (איור 9).

עמדת חיתוך מתאימה (איור 10)

- על שתי הרגליים להיות על קרקע מוצקה, כאשר המשקל מאוזן על שתייהן.
- על הזרוע הימנית להיות ישרה, עם המרפק נעול. הדר עוזר לעמוד בפני הכוחות של התגובה החזקה לאחור.
- על הגוף שלכם להיות תמיד מן הצד השמאלי של המסור החשמלי.

חיתוך

חיתוך בסיסי

- למשתמש שזו לו הפעם הראשונה, אגא התאמן קודם בחיתוך גזעים על גבי מתקן לחיתוך עצים.
- החלו את החיתוך על ידי לחיצה קלה על המוט המנחה נגד העץ. השתמשו בלחץ קל, הרשו למסור לבצע את העבודה
- שימרו על מהירות קבועה במהלך החיתוך, כאשר אתם משחררים את הלחץ לפני סיום החיתוך.
- **⚠ אזהרה:** כאשר שרשרת המסור נעצרת כתוצאה מצביטה בעת החיתוך, שחררו את מתג ההדק; הסירו את המסור החשמלי אות המוט המנחה מן העץ ולאחר מכן הפעילו מחדש את המסור החשמלי.

- **⚠ אזהרה:** אל תמשכו את שרשרת המסור בידים שלכם כאשר נסורת תוחמת אותה.
- **⚠ אזהרה:** לעולם אין להפעיל את המסור החשמלי כאשר הוא נמצא במגע עם העץ. הרשו תמיד לשרשרת להגיע למהירות המרבית לפני הנחת המסור על העץ.

כריתה של עץ

- בעת ביצוע פעולת כריתה וחלוקה אשר מתבצעות על ידי שני אנשים בו זמנית, על פעולת הכריתה להיות נפרדת מפעולת ההרמה במרחק של לפחות שני אורכים של העץ אותו עומדים לכרות. אין לכרות עצים בכל דרך בה אנשים אחרים מועמדים בסכנה או נזק עלול להיגרם לחוטי חשמל או לכל רכוש אחר. אם עץ בא במגע עם קווי מתח, יש להודיע על כך מיד לחברת החשמל.
- על מפעיל המסור החשמלי לעמוד בצד העליון של כל אזור חיתוך, בגלל שבול העץ עלול להתגלגל או לגלוש במורד מדרון לאחר כריתתו.
- יש לתכנן ולפנות נתיב בריחה כנדרש לפני התחלת החיתוך. על נתיב הבריחה להיות מורחב לאחור ובאלכסון מן הקו הצפוי של הנפילה כמתואר באיור 11.

כיוון הכריתה	11-1
--------------	------

- לפני התחלת הכריתה, קחו בחשבון את ההטיה הטבעית של העץ, המיקום של ענפים גדולים יותר וכיוון הרוח על מנת להחליט לאיזה כיוון ייפול העץ.

- הסירו אבק, אבנים, קליפות עץ שנפלו, מסמרים, מהדקים וחוטים מן העץ.

חתך תחתי עם קשרים

עשו את הקשר 1/3 מן הקוטר של העץ, במצב ניצב לכיוון הנפילה, כמתואר באיור 12. בצעו את חתך הקשר האופקי הנמוך יותר תחילה. הדבר יעזור למנוע צביטה של שרשרת המסור או של המוט המנחה כאשר מבצעים את הקשר השני.

חתך כריתה אחורית

- בצעו את חתך הכריתה האחורית לפחות 50 מ"מ גבוה יותר מחתך הקשר האופקי הנמוך כמתואר באיור 12-3.

חתך כריתה אחורית	12-3	כיוון הנפילה	12-1
ציר	12-4	חריץ	12-2

שימרו על חתך הכריתה האחורית במקביל לחתך הקשר האופקי. בצעו את חתך הכריתה האחורית כך שיישאר מספיק עץ על מנת שישמש כציר. עץ הציר שומר על העץ מלהתפתל וליפול בכיוון הלא נכון. אין לחתוך דרך הציר.

- ככל שהכריתה מתקרב אל הציר, העץ אמור להתחיל את נפילתו. אם ישנו כל סיכוי שהעץ לא ייפול בכיוון הנכון או שהוא יחזור וילפף את שרשרת המסור, עצרו את החיתוך לפני השלמת חתך הכריתה האחורית והשתמשו בטרזיזי עץ, פלסטיק או אלומיניום על מנת לפתוח את החתך ולהפיל את העץ לאורך קו הנפילה הרצוי.
- כאשר העץ מתחיל ליפול, הוציאו את המסור החשמלי מן החתך, הניחו אותו על הקרקע ולאחר מכן השתמשו בנתיב הבריחה המתוכנן. היו זהירים מפני ענפים נופלים והביטו על הקרקע עליה אתם דורכים.

שיסוע של עץ

שיסוע פירושו הסרת ענפים מעץ שנפל. בעת השיסוע השאירו ענפים נמוכים גדולים יותר על מנת לתמוך בהרמת בול העץ מן הקרקע. הסירו את הענפים הקטנים יותר בחתך אחד כמתואר באיור 31. יש לחתוך ענפים מתוחים מן החלק התחתון כלפי מעלה על מנת למנוע ליפוף של שרשרת המסור.

חלוקה של בול עץ

- החלוקה היא חיתוך בול עץ לחלקי אורך. חשוב לוודא שהעמידה שלכם יציבה והמשקל מאוזן על שתי הרגליים. כאשר ניתן, יש להרים את בול העץ ולתמוך בו על ידי שימוש בענפים, בולי עץ אחרים או טריזים. עקבו אחר הוראות פשוטות לחיתוך קל.
- כאשר בול העץ נתמך לכל אורכו כמתואר באיור 14, יש לחתוך אותו מן החלק העליון (חלוקה עליונה).
- כאשר בול העץ נתמך מצד אחד בלבד כמתואר באיור 15, חתכו 15 מוקטר בול העץ מן החלק התחתון

תחזוקה של המוט המנחה

כאשר המוט המנחה מראה סימני בלאי, פרקו אותו מראש המתח של המסור החשמלי וסובבו אותו להרכבה מחדש (איור 19) ובמקרה זה הבלאי יופץ לחיי מוט מקסימליים.

יש לנקות את המוט בכל יום שימוש ולבדוק עליו סימני בלאי או נזק. רפידה או שרפה של מסילות המוט מהווים סימני בלאי נורמליים. כאשר אלו מתרחשים חש לשייף אותם בעזרת פצירה. יש להחליף מוט בעל אחד מן הליקויים הבאים.

- סימני בלאי בתוך מסילות המאפשר לשרשרת לעבור מעבר לצדדים.
- מוט מנחה מעוקל.
- מסילות סדוקות או שבורות.
- מסילות אשר התרחבו.

בנוסף, למוט המנחה ישנו גלגל שיניים בקצהו (איור 20-1). יש לשמן את גלגל השיניים בכל שבוע עם מזרק חומר סיכה על מנת להאריך את חיי המוט המנחה (איור 21). השתמשו במזרק שמן סיכה על מנת לשמן את השרשרת בכל שבוע דרך חור השימון (איור 2-20). הפכו את המוט המנחה ובדקו שחורי השימון והשרשרת נקיים מחלקיקי אשפה.

תחזוקת השרשרת

השתמשו רק בשרשראות בעלות תגובה חזקה לאחור נמוכה עבור מסור זה. השרשרת החותכת במהירות תספק הפחתה של התגובות החזקות לאחור כאשר ישנה תחזוקה מתאימה.

שרשרת מסור מחודדת כראוי חותכת דרך העץ ללא מאמץ, אפילו אם מופעל מעט לחץ. לעולם אין להשתמש בשרשרת ניזוקה או קהה. חיתוך בשרשרת קהה גורם למתח פיזי גבוה מאוד, עומס רטט מוגבר, תוצאות חיתוך לא מספקות ובלאי מוגבר.

לחתוך חלק ומהיר, יש לבצע תחזוקה מתאימה לשרשרת. יש לחדד את השרשרת כאשר חתכי העץ הם קטנים ואבקתיים, יש להפעיל לחץ על השרשרת בעת החיתוך דרך העץ על מנת שהשרשרת לא תחתך לצד אחד בלבד. בעת ביצוע פעולות תחזוקה לשרשרת המסור, קחו בחשבון את הבאות:

- זווית כריתה לא נכונה של הלוחית הצדדית יכולה להגדיל את הסיכון לתגובה חזקה לאחור חמורה.
- פינוי מד עמוק נמוך מדי מגביר את הפוטנציאל לתגובה חזקה לאחור. לא נמוך מספיק מפחית את יכולת החיתוך.
- אם שיני החותך פגעו בעצמים קשים, כגון מסמרים ואבנים, או אם הן באו במגע עם בוץ או חול אשר היו על העץ, חדדו את השרשרת בעזרת טכנאי שירות מוסמך.

- (חלוקה תחתונה). לאחר מכן בצעו חלוקה עליונה על מנת להפגיש בין החתכים.
- כאשר בול העץ נתמך משני הצדדים כמתואר באיור 16, חתכו 61 מקוטר בול העץ מן החלק העליון (חלוקה עליונה). לאחר מכן בצעו חלוקה תחתונה על מנת להפגיש בין החתכים.
- בעת ביצוע חלוקה על גבי מדרון, עמדו תמיד במעלה בול העץ, כמתואר באיור 17.
- בעת „חיתוך דרך“, על מנת לשמור על שליטה מלאה, שחררו את לחץ החיתוך קרוב לסיים החתך מבלי להרגיע את האחיזה שלכם בידיעות המסור החשמלי. אל תינתנו שרשרת לבוא במגע עם הקרקע. לאחר השלמת החתך, חכו ששרשרת המסור תעצור את פעולתה לפני הזזת המסור החשמלי. עצרו תמיד את המנוע כאשר אתם נעים מעץ לעץ.

תחזוקה

מילוי ושימון השרשרת

הודעה: בעת הרכישה המסור החשמלי איננו מלא בשמן. חשוב מאוד למלא את מיכל השמן לפני השימוש. השרשרת משומנת באופן אוטומטי עם שמן שרשרת בעת ההפעלה.

1. מקמו את המסור החשמלי על צידו כאשר מיכל השמן שלו פונה קדימה.
2. נקו את המכסה ואת האזור מסביב ולאחר מכן סובבו אותו נגד כיוון השעון על מנת להסירו (איור 18).
3. שפכו בזהירות את השמן המיועד לכך אל תוך המיכל עד אשר הנוזל מגיע אל החלק התחתון של הצוואר הסיבובי.
4. נקו כל שמן אשר נשפך והניחו מחדש את המכסה.

הודעה: במצב מאונך, על השמן למלא את חלון הבדיקה של המיכל. כאשר לא ניתן יותר לראות את השמן דרך חלון הבדיקה של המיכל, עצרו את השימוש ומילאו בשמן נוסף.

ניקיון

- לאחר כל שימוש נקו את השאריות מן השרשרת והמוט המנחה עם מברשת רכה. נגבו את שטח שרשרת המסור על משטח נקי אשר הוטבלה בתמיסת סבון עדינה.
- הסירו את המכסה הצדדי ולאחר מכן השתמשו במברשת רכה על מנת להסיר שאריות מן המוט המנחה, שרשרת המסור והמכסה הצדדי.
- נקו תמיד שאריות ענפים ועץ, נסורת ולכלוך מחרץ המוט המנחה בעת החלפת שרשרת המסור.

הובלה ואחסון

- אל תאחסנו או תובילו את המסור החשמלי כאשר הוא פועל. הסירו תמיד את מארז הסוללה בעת אחסון או הובלה.
- הניחו תמיד את נדן המוט המנחה על המוט המנחה והשרשרת לפני אחסון או הובלה של המסור החשמלי. היו זהירים והימנעו ממגע עם השיניים החדות של השרשרת.
- נקו את המסור החשמלי ביסודיות לפני אחסונו. אחסנו את המסור החשמלי בתוך הבית, במקום יבש אשר רחוק מהישג ידם של ילדים.
- הרחיקו מחומרים הגורמים לקורוזיה כגון כימיקלים לגינה ומלחים מסירי קרח.

הגנה על הסביבה

WEEE (זריקה של ציוד חשמלי ואלקטרוני)
אל תזרקו ציוד חשמלי, מטעני סוללות וסוללות ביחד עם אשפה ביתית! קחו מוצרים אלו למרכז מחזור מוסמך ו-וודאו שהם זמינים לאיסוף בנפרד. יש להחזיר כלים חשמליים אל מתקן מחזור המתאים לסביבה.



איתור וטיפול בבעיות

פתרון	סיבה	בעיה
<ul style="list-style-type: none"> ■ הצמידו את מארז הסוללה אל המסור החשמלי. ■ הסירו את הסוללה, בדקו את החיבורים והתקינו מחדש את מארז הסוללה. ■ הטעינו את מארז הסוללה. ■ אפשרו למארז הסוללה או למסור החשמלי להתקרר עד לטמפרטורה של פחות מ-67°C. ■ משכו את ידית הבלימה לתגובה חזקה לאחור של השרשרת לאחור אל עבר הידית הקדמית כאשר אתם מגיעים אל עמדת ההפעלה. ■ לחצו על המסור החשמלי אל עבר העץ, הזיזו את המסור החשמלי קדימה ואחורה על מנת להיפטר מחלקי אשפה. ■ הסירו את מארז הסוללה, לאחר מכן הסירו את המכסה הצדדי ונקו את חלקי האשפה. 	<ul style="list-style-type: none"> ■ מארז הסוללה איננו צמוד למסור החשמלי. ■ אין חיבור חשמלי בין המסור החשמלי לסוללה. ■ קיבולת מארז הסוללה ריקה. ■ מארז הסוללה או המסור החשמלי חמים מדי. ■ בולם השרשרת פועל. ■ פסולת בחריץ המוט. ■ אשפה במכסה הצדדי. 	<p>המנוע איננו מתחיל את פעולתו.</p>
<ul style="list-style-type: none"> ■ הורידו את העומס. ■ הורידו את העומס. אפשרו למארז הסוללה או למסור החשמלי להתקרר עד לטמפרטורה של פחות מ-67°C. ■ שחררו את מתג ההדק; הסירו את המסור החשמלי אות המוט המנחה מן העץ ולאחר מכן הפעילו מחדש את המסור החשמלי. 	<ul style="list-style-type: none"> ■ ישנו עומס יתר של המסור החשמלי. ■ מארז הסוללה או המסור החשמלי חמים מדי. ■ המסור החשמלי קשור לעץ. 	<p>המסור החשמלי מפסיק את פעולתו בעת ההפעלה.</p>
<ul style="list-style-type: none"> ■ התקינו מחדש את השרשרת, כאשר את מוודאים שקישורי ההנעה על השרשרת ישובים על גלגל השיניים. ■ אשפה מונעת תנועה מלאה של ידית הבלימה לתגובה חזקה לאחור של השרשרת. ■ צרו קשר עם מחלקת שירות הלקוחות של EGO לתיקונים. 	<ul style="list-style-type: none"> ■ השרשרת אינה מניעה את גלגל השיניים. ■ אשפה מונעת תנועה מלאה של ידית הבלימה לתגובה חזקה לאחור של השרשרת. ■ פעולה לא מתאימה אפשרית של בולם השרשרת. 	<p>המנוע פועל אך השרשרת איננה מסתובבת.</p>

פתרון	סיבה	בעיה
<ul style="list-style-type: none"> ■ שחררו את ידיית הכוונון המהיר עבור מתח השרשרת לפחות שני מחזורים נגד כיוון השעון תחילה, ולאחר מכן הדקו אותה לגמרי בכיוון השעון עד אשר השרשרת מתוחה באופן המתאים. ■ חדדו את חותכי השרשרת, על פי סעיף „איך ניתן לחדד את החותכים”. ■ הרכיבו מחדש את שרשרת המסור, על פי סעיף „הרכבת/החלפת המוט והשרשרת”. ■ החליפו את שרשרת המסור, על פי סעיף „הרכבת/החלפת המוט והשרשרת”. ■ בדקו את רמת השמן במיכל השמן. מלאו שוב את מיכל השמן אם יש צורך בכך. 	<ul style="list-style-type: none"> ■ מתח שרשרת לא מספיק. ■ שרשרת קהה. ■ השרשרת מותקנת הפוך. ■ שרשרת עם סימני בלאי. ■ שרשרת יבשה או מתוחה מעל המידה. 	<p>המסור החשמלי איננו חותך כהלכה</p>
<ul style="list-style-type: none"> ■ שחררו את ידיית הכוונון המהיר עבור מתח השרשרת לפחות שני מחזורים נגד כיוון השעון תחילה, ולאחר מכן הדקו אותה לגמרי בכיוון השעון עד אשר השרשרת מתוחה באופן המתאים. ■ התקינו מחדש את השרשרת, על פי סעיף „הרכבת/החלפת המוט והשרשרת” כאשר את מוודאים שקישורי ההנעה על השרשרת ישובים על גלגל השיניים. 	<ul style="list-style-type: none"> ■ מתח שרשרת לא מספיק. ■ השרשרת אינה מניעה את גלגל השיניים. 	<p>השרשרת נופלת מן המוט המנחה.</p>
<ul style="list-style-type: none"> ■ סרגל מילוי ושימון השרשרת. ■ נקו פסולת מהחריץ. 	<ul style="list-style-type: none"> ■ מיכל השמן של השרשרת ריק. ■ פסולת בחריץ המוט המנחה. 	<p>המוט והשרשרת מתחממים ומעלים עשן.</p>

אחריות

מדיניות האחריות של EGO

אנא בקרו באתר egopowerplus.com עבור התנאים וההתניות השלמים של מדיניות האחריות של EGO.



