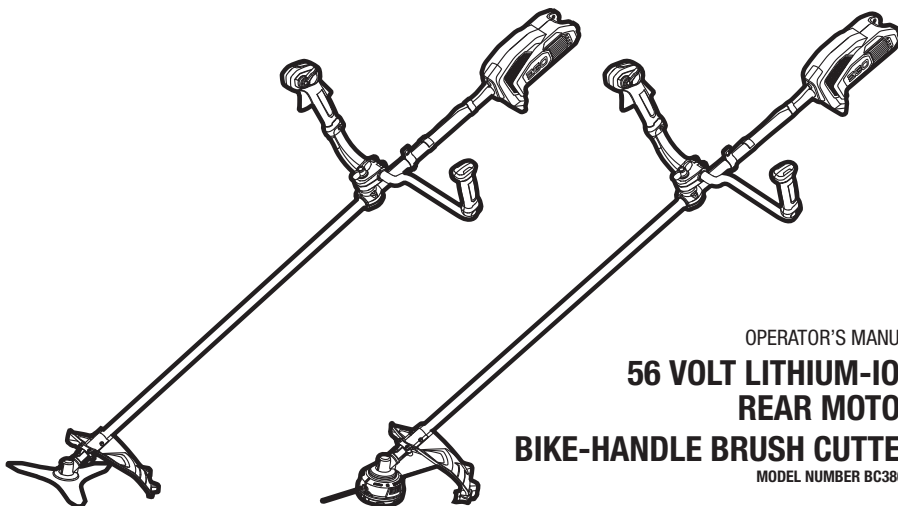


EGO™

POWER⁺ BRUSH CUTTER



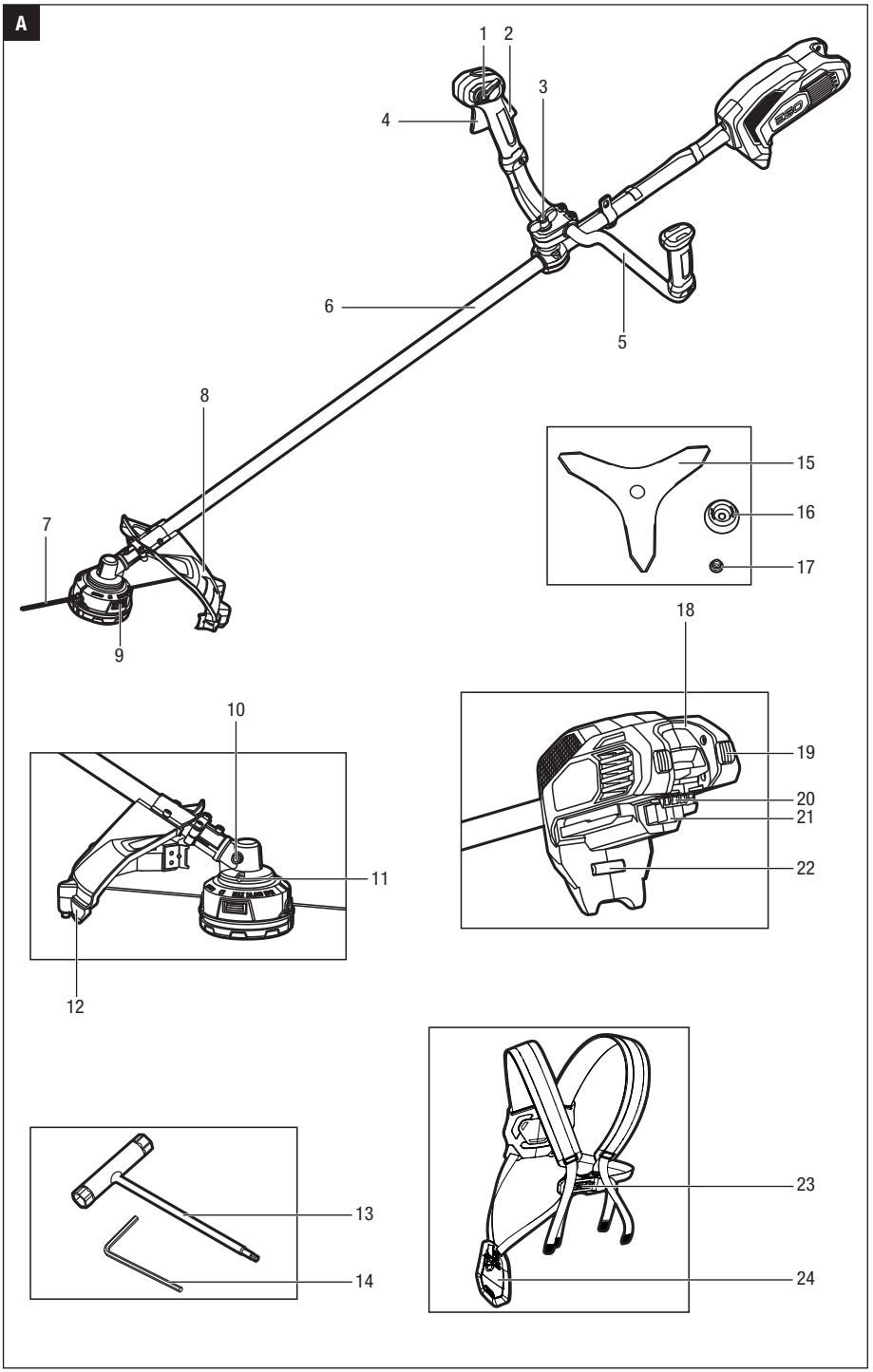
OPERATOR'S MANUAL

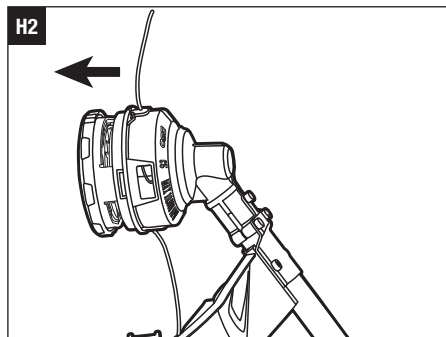
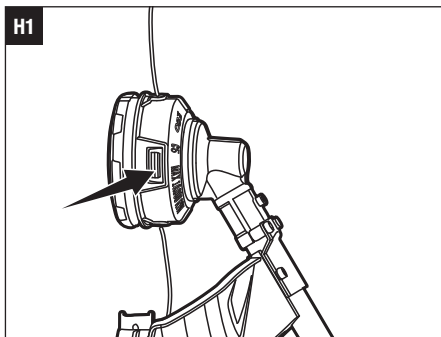
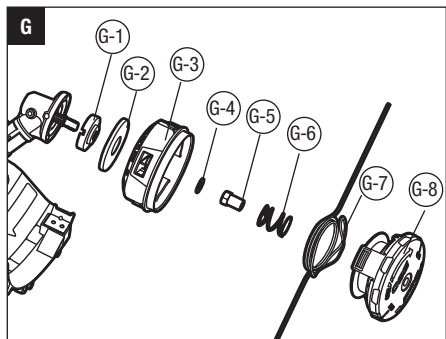
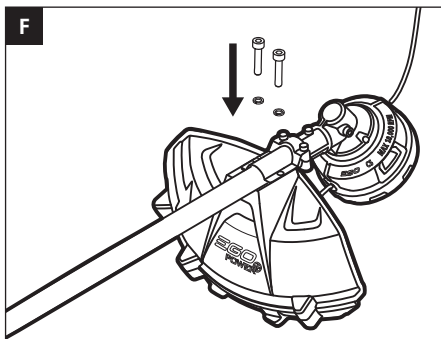
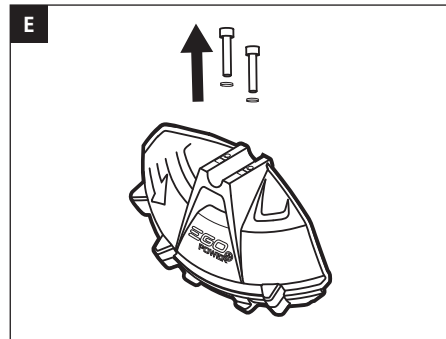
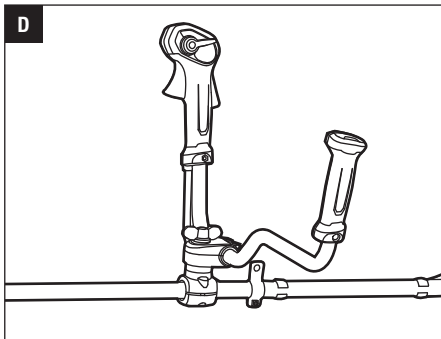
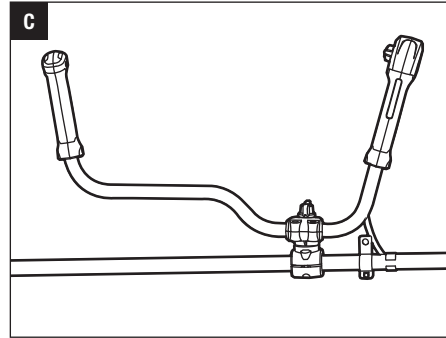
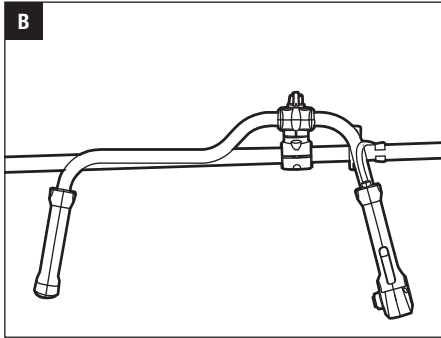
56 VOLT LITHIUM-ION REAR MOTOR

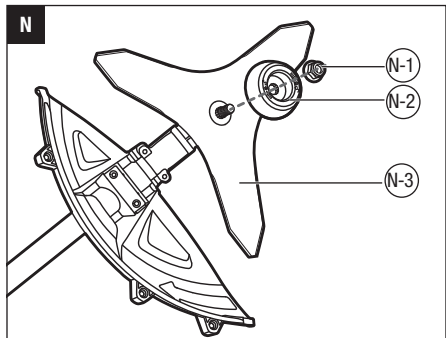
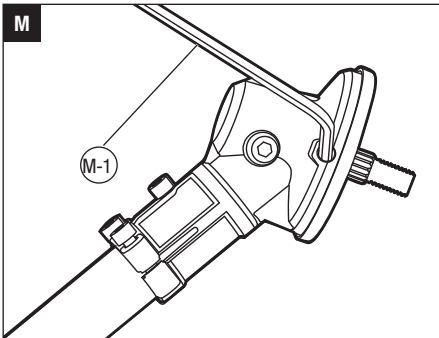
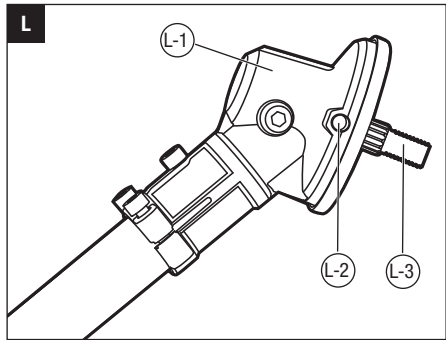
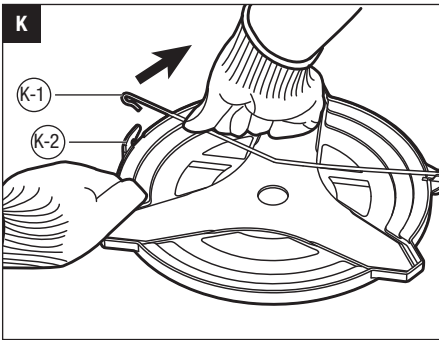
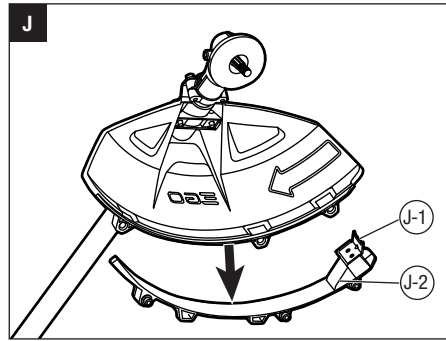
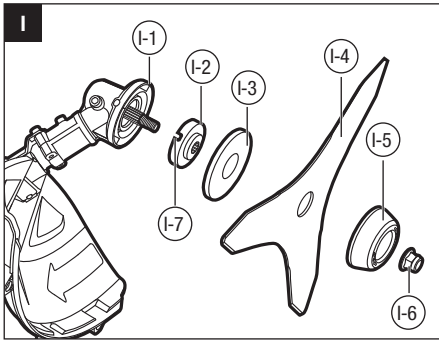
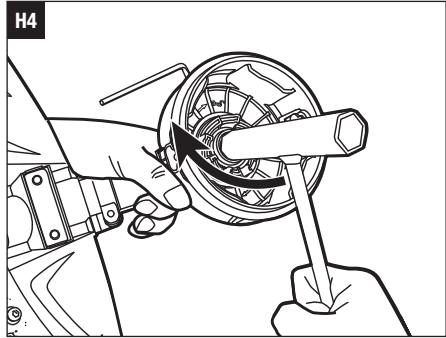
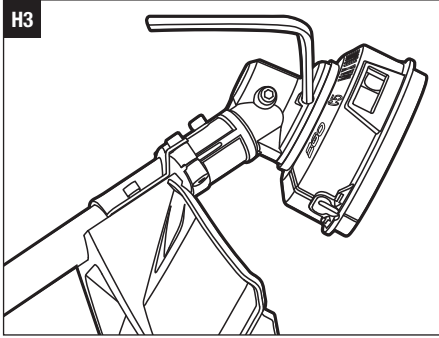
BIKE-HANDLE BRUSH CUTTER

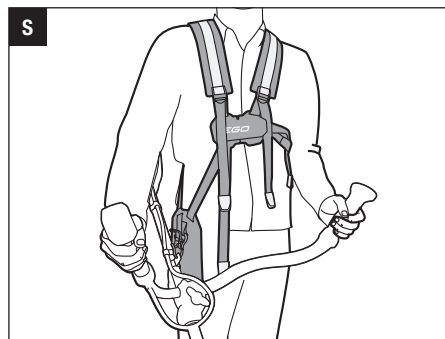
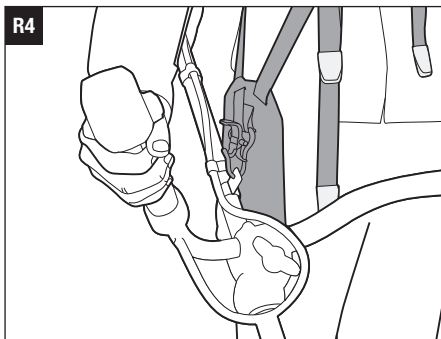
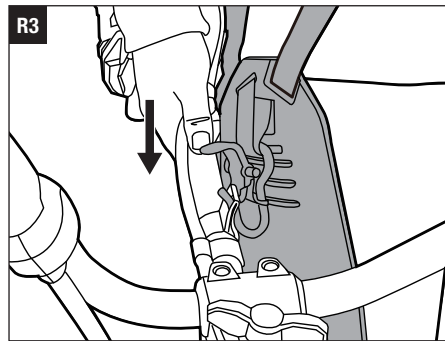
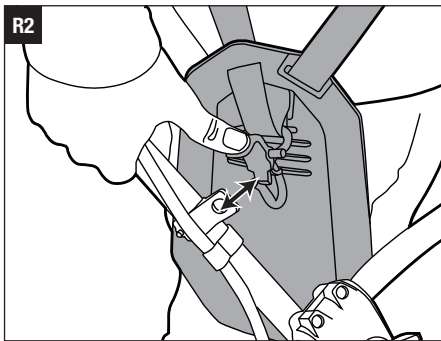
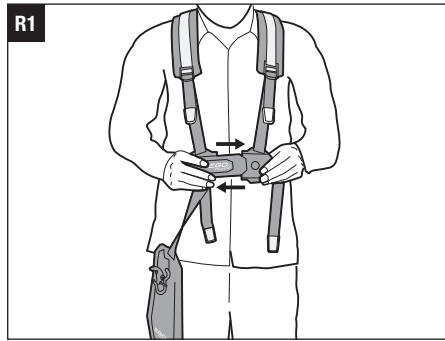
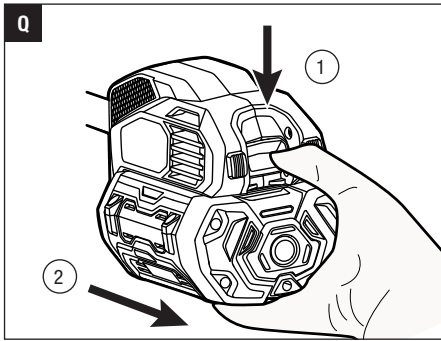
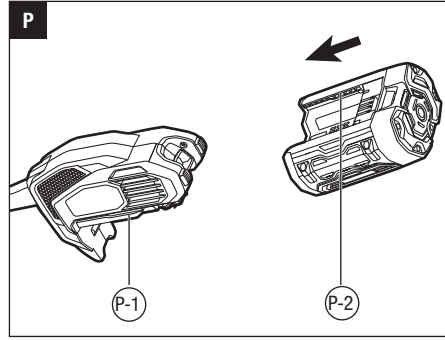
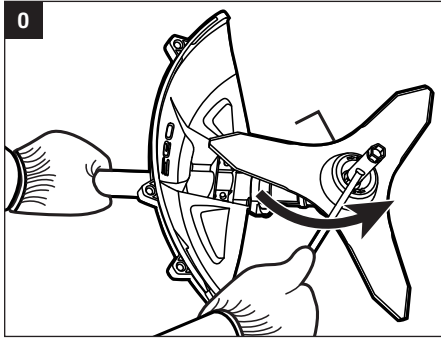
MODEL NUMBER BC3800E

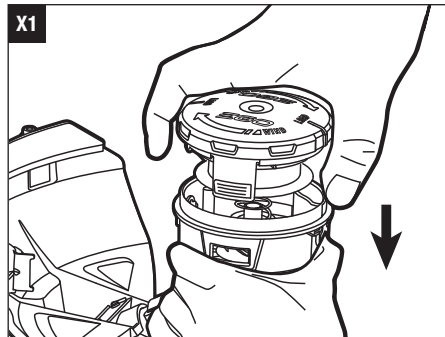
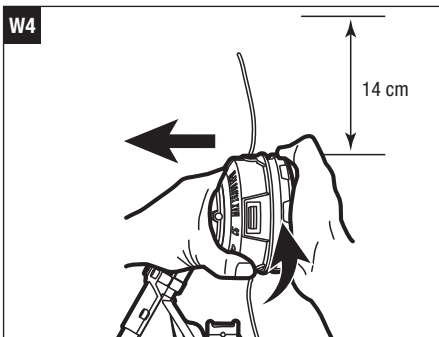
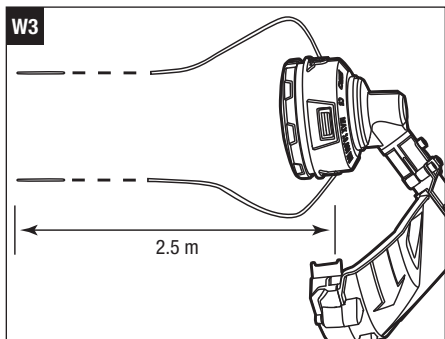
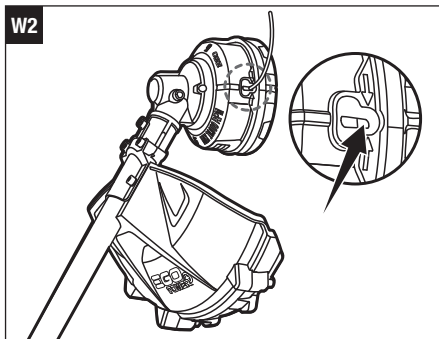
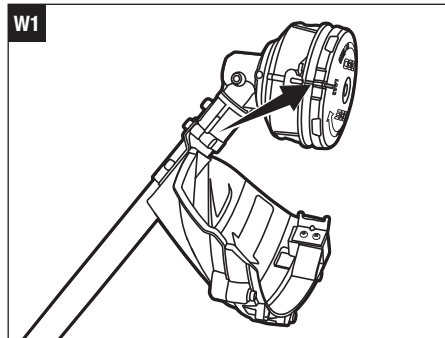
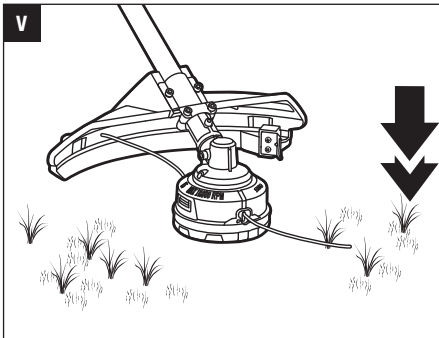
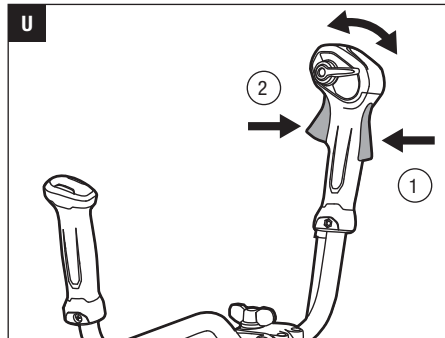
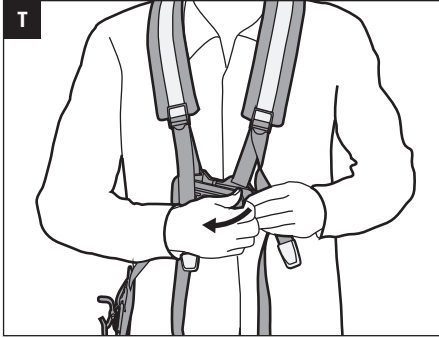
| | | | | | |
|----|--|-----|----|--|-----|
| EN | 56 volt lithium-ion rear motor bike-handle brush cutter | 8 | CZ | 56 voltový lithiium-iónový křovinořez s motorovou rukojetí | 170 |
| DE | 56 volt lithium-ionen-gestrüppschneider mit heckmotor und lenkergriff | 19 | SK | 56 voltový lithiium-iónový křovinořez s motorovou rukoväťou | 182 |
| FR | Débroussaillouse à guidon, moteur arrière et batterie lithium-ion 56 v | 32 | HU | 56 voltos lítium-ión fűkasza hátsó motorral és kétkezes fogantyúval | 194 |
| ES | Desbrozadora con batería de ion de litio de 56 voltios y motor trasero, con manillar | 45 | RO | Trimmer pentru tufişuri cu acumulator de litiu-ion de 56v, motor posterior și ghidon | 206 |
| PT | Roçadeira com guiador e motor traseiro de ião e lítio de 56 volts | 58 | SL | 56-voltna litij-ionska motorna kosa s kolesarskim krmilom in končno nameščenim motorjem | 218 |
| IT | Decespugliatore con manubrio e motore posteriore agli ioni di litio 56 volt | 70 | LT | 56 voltų ličio jonų krūmapjovė su varikliu gale ir dviračio formos rankena | 230 |
| NL | 56 volt Lithium-Ion bosmaaier met motor aan de achterkant en stuurgreep | 82 | LV | 56 voltu litija jonu krūmgriezis ar aizmugurē uzstādītu motoru un velosipēda stūres formas rokturi | 242 |
| DK | Buskrydder med 56volt litium-ion-batteridrevet motor og styr | 95 | GR | Θαμνοκόπτικο 56 volt λιθίου-ιοντων, οπισθίου κινητήρα, με χειρολαβή τυπου ποδηλάτου | 254 |
| SE | Röjsåg med 56 V litiumjonbatteridrivnen bakre motor och styrstängshandtag | 107 | TR | 56 volt litium-iyon arka motorlu bisiklet kolu çali tirpani | 268 |
| FI | 56 voltin litiumioniakulla varustettu tankokahvainen pensasleikkuri | 119 | ET | 56-voldise liitiumioonakuga tagumise mootori ja u-käepidemega võsalõikur | 279 |
| NO | 56 volt litium-ion busktrimmer med bakplassert motor og sykkelhåndtak | 131 | UK | 56-вольтний літій-іонний кущоріз із заднім мотором і велосипедною ручкою | 290 |
| RU | Кусторез с литий-ионным аккумулятором 56 в, задним расположением двигателя и ручкой велосипедного типа | 143 | BG | Храсторез с 56 V литиево-йонен акумулатор, заден двигател и велосипедна ръкохватка | 303 |
| PL | Kosa do zarośli z kierownicą rowerową z silnikiem z tyłu i baterią litowo-jonową 56 woltów | 157 | HR | Obrezač grmlja sa stražnjim motorom i sklopom drški i litij-ionskom baterijom na 56 volti | 316 |

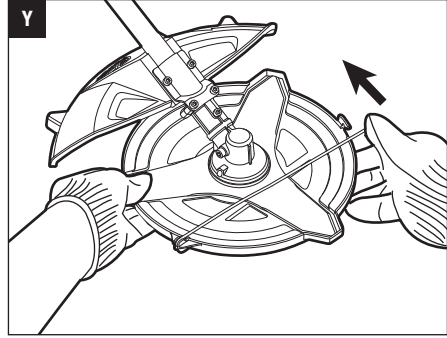
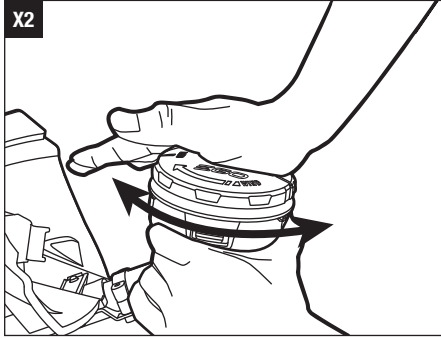












READ ALL INSTRUCTIONS!



READ OPERATOR'S MANUAL

⚠ Residual risk! People with electronic devices, such as pacemakers, should consult their physician(s) before using this product. Operation of electrical equipment in close proximity to a heart pacemaker could cause interference or failure of the pacemaker.

⚠ WARNING: To ensure safety and reliability, all repairs and replacements should be performed by a qualified service technician.

SAFETY SYMBOLS

The purpose of safety symbols is to attract your attention to possible dangers. The safety symbols and the explanations with them deserve your careful attention and understanding. The symbol warnings do not, by themselves, eliminate any danger. The instructions and warnings they give are no substitutes for proper accident prevention measures.

⚠ WARNING: Be sure to read and understand all safety instructions in this Operator's Manual, including all safety alert symbols such as "DANGER," "WARNING," and "CAUTION" before using this tool. Failure to follow all instructions listed below may result in electric shock, fire, and/or serious personal injury.

SYMBOL MEANING

⚠ SAFETY ALERT SYMBOL: Indicates DANGER, WARNING, or CAUTION, may be used in conjunction with other symbols or pictographs.



⚠ WARNING: The operation of any power tools can result in foreign objects being thrown into your eyes, which can result in severe eye damage. Before beginning power tool operation, always wear safety goggles or safety glasses with side shields and a full face shield when needed. We recommend a Wide Vision Safety Mask for use over eyeglasses or standard safety glasses with side shields.

SAFETY INSTRUCTIONS

This page depicts and describes safety symbols that may appear on this product. Read, understand, and follow all instructions on the machine before attempting to assemble and operate it.

| | | |
|--|-----------------------------------|--|
| | Safety Alert | Indicates a potential personal injury hazard. |
| | Read Operator's Manual | To reduce the risk of injury, user must read and understand the operator's manual before using this product. |
| | Wear Eye Protection | Always wear safety goggles or safety glasses with side shields and a full face shield when operating this product. |
| | Wear Ear Protection | Always wear sound barriers (ear plugs or ear muffs) to protect your hearing. |
| | Wear Head Protection | Wear an approved safety hard hat to protect your head. |
| | Wear Protective Gloves | Protect your hands with gloves when handling blade or blade guard. Heavy-duty, nonslip gloves improve your grip and protect your hands. |
| | Wear Safety Footwear | Wear non-slip safety footwear when using this equipment. |
| | Beware of blade thrust | Warn the operator of the danger of blade thrust. |
| | Ricochet and Keep Bystanders Away | Thrown objects can ricochet and result in personal injury or property damage. Ensure that other people and pets remain away from the brush cutter when it is in use. |
| | Keep Bystanders Away | Ensure that other people and pets remain at least 15m away from the line trimmer when it is in use. |
| | No round blade | Do not install round cutting blades. |
| | Do not expose to rain | Do not use in the rain or leave outdoors while it is raining. |

| | | |
|----------|----------------|--|
| | CE | This product is in accordance with applicable EC directives. |
| | WEEE | Waste electrical products should not be disposed of with household waste. Take to an authorized recycler. |
| | Noise | Guaranteed sound power level. Noise emission to the environment according to the European community's Directive. |
| V | Volt | Voltage |
| | Direct Current | Type or a characteristic of current |
| n_0 | No Load Speed | Rotational speed, at no load |
| ... /min | Per Minute | Revolutions per minute |

IMPORTANT SAFETY INSTRUCTIONS

⚠ WARNING! When using this product, basic safety precautions should always be followed to reduce the risk of fire, electric shock, and personal injury, including the following:

READ CAREFULLY BEFORE USE

KEEP FOR FUTURE REFERENCE

⚠ DANGER! Do not rely on the tool's insulation against electric shock. To reduce the risk of electrocution, never operate the machine in the vicinity of any wires or cables (power, etc.) which may carry electric current.

⚠ CAUTION! Wear appropriate personal hearing protection during use. Under some conditions and durations of use, noise from this product may contribute to hearing loss.

TRAINING

- Read the instructions carefully. Be familiar with the controls and the proper use of the machine.
- Never allow people unfamiliar with these instructions or children to use the machine. Local regulations can restrict the age of the operator.
- Keep in mind that the operator or user is responsible for accidents or hazards occurring to other people or their property.

PREPARATION

- Never operate this product while people, especially children, or pets are nearby.
- Wear eye protection and stout shoes at all times while operating this product.
- The distance between the machine and bystanders shall be at least 15m.

OPERATION

- Use the brush cutter only in daylight or good artificial light.
- Never operate the brush cutter with damaged guards or shields or without guards or shields in place.
- Switch on the motor only when the hands and feet are away from the cutting means.
- Always disconnect the brush cutter from the power supply (i.e. remove the battery pack).
 - whenever leaving the brush cutter unattended;
 - before clearing a blockage;
 - before checking, cleaning or working on the brush cutter;
 - after striking a foreign object;
 - whenever the brush cutter starts vibrating abnormally.
- Take care against injury to feet and hands from the cutting means.
- Always ensure that the ventilation openings are kept clear of debris.

MAINTENANCE AND STORAGE

- Disconnect the brush cutter from the power supply (i.e. remove the battery pack) before carrying out maintenance or cleaning work.
- Use only the manufacturer's recommended replacement parts and accessories.
- Inspect and maintain the brush cutter regularly. Have the machine repaired only by an authorized repairer.
- When not in use, store the brush cutter out of the reach of children.

OTHER SAFETY WARNINGS

- **Keep children away** - All visitors should be kept at least 100 feet away from work area.
- **Avoid dangerous environments** - Don't use appliances on damp or wet slope.
- **Always turn the brush cutter off or remove the battery pack whenever leaving the tool unattended.**
- **Don't use in rain.**

- **Dress properly** - Do not wear loose clothing, jewelry, short pants, sandals, or go barefoot. They can be caught in moving parts. Always wear heavy, long pants and a long-sleeve shirt. Use of rubber gloves and substantial footwear is recommended when working outdoors. Wear protective hair covering to contain long hair to secure hair above shoulder level.
- **Use safety glasses** - Always use face or dust mask if operation is dusty.
- **Use the right tool** - Do not use the tool for any job except that for which it is intended.
- **Don't force the brush cutter** - It will do the job better and with less likelihood of a risk of injury at the rate for which it was designed.
- **Don't overreach** - Keep proper footing and balance at all time.
- **Stay alert** - Watch what you are doing. Use common sense. Do not operate the brush cutter when you are tired.
- **Do not operate the brush cutter while under the influence of alcohol or drugs.**
- **Keep guards in place and in working order.**
- **Keep hands and feet away from the cutting area.**
- **Store brush cutter indoors** - When not in use the brush cutter should be stored indoors in a dry and high or locked-up place with the battery pack removed- out of reach of children.
- **Maintain brush cutter with care** - Keep the cutting attachment clean for best performance and to reduce the risk of injury. Follow the instructions for changing accessories. Keep the handles dry, clean, and free from oil and grease.
- **Check damaged parts** - Before further use of the brush cutter, a guard or other part that is damaged should be carefully checked to determine that it will operate properly and perform its intended function. Check for alignment of moving parts, binding of moving parts, breakage of parts, mounting, and any other condition that may affect its operation. A guard or other part that is damaged should be properly repaired or replaced by an authorized service center unless indicated elsewhere in this manual.
- **Make sure all fasteners are in place and secure. Be sure the cutting attachment shield is properly attached and in the position recommended by the manufacturer.**
- **Clear the area to be cut before each use.** Remove all objects such as rocks, broken glass, nails, wire, or string, which can be thrown or become entangled in the cutting attachment. Clear the area of children, bystanders and pets. At a minimum, keep all children, bystanders and pets outside a 15 m (50 ft) radius; outside the 15 m (50 ft) zone, there is still a risk of injury from thrown objects. Bystanders should be encouraged to wear eye protection.
- **Before using the brush cutter and after any impact, check for signs of wear or damage and repair as necessary.**
- **Always hold the brush cutter firmly, with both hands on the handles, while operating. Wrap your fingers and thumbs around the handles.**
- **Avoid accidentally starting** - Don't carry the brush cutter with your finger on the trigger.
- **Do not operate the brush cutter in gaseous or explosive atmospheres.** Motors in these appliances normally spark, and the sparks might ignite fumes.
- **Damage to brush cutter** - If you strike a foreign object with the brush cutter or it becomes entangled, stop the tool immediately, remove the battery pack from the brush cutter, check for damage and have any damage repaired before further operation is attempted. Do not operate with a broken guard or cutting attachment.
- **If the equipment should start to vibrate abnormally, stop the motor, remove the battery pack from the brush cutter and check immediately for the cause.** Vibration is generally a warning of trouble. A loose cutting unit may vibrate, crack, break or come off the brush cutter, which may result in serious or fatal injury. Make sure that the cutting unit is properly installed and securely fastened. If the cutting unit loosens after fixing it in position, replace it immediately. Never use a brush cutter with a loose cutting unit.
- **Replace a cracked, damaged or worn-out cutting unit immediately, even if damage is limited to superficial cracks.** Such unit may shatter at high speed and cause serious or fatal injury.
- **To reduce the risk of injury, never work on a ladder or on any other insecure support. Never hold the cutting unit above waist height.**
- **Never use other wires in place of the nylon cutting lines, pieces of wire could break off and be thrown at high speed toward the operator or bystanders.**
- **Keep firm footing and balance.** Do not over-reach. Keep cutting unit below waist level. Keep all parts of your body away from the rotating cutting unit.
- **Check the cutting unit at regular short intervals during operation, or immediately if there is a noticeable change in cutting behavior.**
- **Only use EGO authorized polymer trimmer line and blade accessories, trimmer line and blade that are designed for use with this brush cutter. Although certain unauthorized units might be extremely dangerous, and/or damaging to the tools.**

- **If you are approached, stop the motor and cutting unit.**
- **Warn the operator of the danger of blade thrust (only using with 3-teeth blade).**
 - Blade thrust may occur when the spinning blade contacts an object that it does not immediately cut.
 - Blade thrust can be violent enough to cause the unit and/or operator to be propelled in any direction, and possibly lose control of the unit.
 - Blade thrust can occur without warning if the blade snags, stalls or binds.
 - Blade thrust is more likely to occur in areas where it is difficult to see the material being cut.

- **Battery tools do not have to be plugged into an electrical outlet; therefore, they are always in operating condition.** Be aware of possible hazards even when the tool is not operating. Take care when performing maintenance or service.
- **Remove or disconnect battery pack before servicing, cleaning or removing material from the brush cutter.**
- **Do not wash with a hose; avoid getting water in motor and electrical connections.**
- **If situations occur that are not covered in this manual, use care and good judgment. Contact the EGO Customer Service Center for assistance.**

- **Do not attach any blade to a unit without proper installation of all required parts. Failure to use the proper parts can cause the blade to fly off and seriously injure the operator and/or bystanders. Discard blades that are bent, warped, cracked, broken, or damaged in any way. Use a sharp blade. A dull blade is more likely to snag and thrust (only using with 3-teeth blade).**
- **The battery pack shall be disposed of safely.**
- **A coasting blade/line can cause injury while it continues to spin after the motor is stopped or trigger is released. Maintain proper control until the blade/line has completely stopped rotating.**
- **Do not charge the battery pack in rain, or in wet locations.**
- Use only with EGO's battery packs and chargers listed below:

| BATTERY PACK | CHARGER |
|---|--------------------|
| BA1120E, BA1400, BA2240E, BA2800, BA3360, BA4200, BAX1300 | CH2100E CH5500E |

- **The battery pack must be removed from the appliance before it is scrapped.**
- **Do not dispose of the battery in a fire.** The cells may explode. Check with local codes for possible special disposal instructions.
- **Do not open or mutilate the battery.** Released electrolyte is corrosive and may cause damage to the eyes or skin. It may be toxic if swallowed.
- **Exercise care in handling batteries in order not to short the battery with conducting materials such as rings, bracelets, and keys.** The battery or conductor may overheat and cause burns.
- **Replacement parts** - When servicing, use only identical EGO replacement parts. Use of any other accessory or attachment may increase the risk of injury.

SAVE THESE INSTRUCTIONS!

SPECIFICATIONS

| | | |
|--|-----------------------------|---|
| Cutting unit | Trimmer head | 3-teeth metal blade |
| Voltage | 56 V | 56 V |
| No-load Speed | 4500-6000 /min | 4500-6000 /min |
| Cutting Line Type | 2.4mm nylon twist line | / |
| Cutting blade | / | ABB1203 |
| Cutting Width | 38 cm | 30 cm |
| Weight (without battery pack) | 4.35 kg | 4.64 kg |
| Measured sound power level L_{WA} | 94.80 dB(A) K=1.01 dB(A) | 94.04 dB(A) K=1.71 dB(A) |
| Sound pressure level at operator's position L_{PA} | 80.2 dB(A) K=2.5 dB(A) | 80.0 dB(A) K=4.1 dB(A) |
| Guaranteed sound power level L_{WA} (measured according to 2000/14/EC) | 96 dB(A) | 96 dB(A) |
| Valuation of vibration a_h | Left handle | 2.28 m/s ² K=1.5 m/s ² |
| | Right handle | 2.38 m/s ² K=1.5 m/s ² |

- The declared vibration total value has been measured in accordance with a standard test method and may be used for comparing one tool with another;
- The declared vibration total value may also be used in a preliminary assessment of exposure.

NOTICE: The vibration emission during actual use of the power tool can differ from the declared value in which the tool is used; In order to protect the operator, user should wear gloves and ear protectors in the actual conditions of use.

EN PACKING LIST

| PART NAME | QUANTITY |
|---------------------------|----------|
| Brush Cutter | 1 |
| 3-teeth blade with Sheath | 1 |
| Guard Assembly | 1 |
| Nut | 1 |
| Outer Flange | 1 |
| Hex Wrench | 1 |
| Multi-Function Wrench | 1 |
| Double-shoulder Strap | 1 |
| Operator's Manual | 1 |

DESCRIPTION

KNOW YOUR BRUSH CUTTER (Fig. A)

- Speed Limiting Lever
- Lock-off Lever
- Wing Bolt
- Trigger
- Bike Handle
- Shaft
- Cutting Line
- Guard Assembly
- Trimmer Head
- Sealing Screw
- Shaft-locking Hole
- Guard Accessory
- Multi-Function Wrench
- Hex Wrench
- 3-teeth Blade
- Outer Flange
- Nut
- Release Button
- Rubber Pad Protection
- Latch
- Electric Contactsms
- Ejection Mechanism
- Strap Buckle
- Hip-pad

⚠ WARNING: Never operate the tool without the guard firmly in place. The guard must always be on the tool to protect the user.

⚠ WARNING: When the tool is equipped with a trimmer head, the guard accessory with line-cutting blade should be mounted onto the guard. Failure to comply will result in overly long cutting line and overload the motor. Never use the trimmer head without guard accessory.

ASSEMBLY

⚠ WARNING: If any parts are damaged or missing, do not operate the brush cutter until the parts are replaced. Use of the brush cutter with damaged or missing parts could result in serious personal injury.

⚠ WARNING: Do not attempt to modify the brush cutter or create accessories not recommended for use with this product. Any such alteration or modification is misuse and could result in a hazardous condition leading to possibly serious personal injury.

⚠ WARNING: Always wear heavy gloves when installing or removing the guard and doing any maintenance on the 3-teeth blade/line-cutting blade. Be careful of the line-cutting blade on the guard accessory / 3-teeth blade for protecting your hands from being injured by both the blades.

⚠ WARNING: To prevent accidental starting that could cause serious personal injury, always remove the battery pack from the tool when assembling parts or transporting the machine.

⚠ WARNING: Never operate the tool without the guard and bike handle firmly in place. Failure to comply could result in possible serious personal injury.

MOUNTING AND ADJUSTING THE BIKE HANDLE

The brush cutter is stored as shown in Fig. B. Firstly, loosen the wing bolt on the connecting joint and then lift the bike handle 180° around the shaft (Fig. C), turn it 90° anticlockwise to make it face the bump head (Fig. D). Lastly, move it back and forth to achieve a comfortable working position and tighten the bolt.

NOTICE: Operating the machine with the bike handle perpendicular to the shaft is only permitted.

MOUNTING THE GUARD

Loosen and remove the two screws from the guard (Fig. E), align the guard mounting holes with the assembly holes and then lock the guard onto the shaft base with the two screws, together with two spring washers (Fig. F).

Make sure the guard is fixed according to Fig. E & F, any reverse fixing will cause great danger!

REPLACE THE TRIMMER HEAD WITH THE 3-TEETH BLADE

Know the trimmer head Fig. G and follow the steps as Fig. H-1 - Fig. H-4 shown (refer to the section "line replacement") to disassemble the trimmer head. To mount the blade follow the steps below:

1. To mount the metal blade unit (Fig. I).
2. Remove the guard accessory by loosening the three screws with washer (Fig. J).
3. The blade is shipped with a sheath. Before mounting the blade onto the brush cutter, the sheath should be removed by undoing the clamp wire from the hook on the sheath (Fig. K).

Fig. G-K parts description see below:

| | | | |
|-----|--------------------|-----|--------------------|
| G-1 | Inner Flange | I-3 | Flange Cover |
| G-2 | Flange Cover | I-4 | 3-teeth blade |
| G-3 | Upper Housing ASSY | I-5 | Outer Flange |
| G-4 | Washer | I-6 | Nut |
| G-5 | Nut | I-7 | Slot in the Flange |
| G-6 | Spring | J-1 | Line-cutting Blade |
| G-7 | Cutting Line | J-2 | Guard Accessory |
| G-8 | Lower Housing ASSY | K-1 | Clamp Wire |
| I-1 | Motor Shaft | K-2 | Hook |
| I-2 | Inner Flange | | |

NOTICE: To protect against injury, you have to wear gloves prior to any operation with the 3-teeth blade.

4. Rotate the motor shaft to align the slot in the inner flange with the shaft-locking hole in the gear case (Fig. L)
5. Insert the hex wrench into the aligned holes to act as a stabilizer (Fig. M).

Fig. L & M parts description see below:

| | | | |
|-----|-----------------------------|-----|-------------|
| L-1 | Gear Case | L-3 | Motor Shaft |
| L-2 | Aligned Shaft-locking Holes | M-1 | Stablizer |

6. Mount the blade onto the motor shaft, ensuring that the surface of the blade is flush with the surface of the inner flange bulge. Mount the outer flange and the nut (Fig. N). Pre-tighten the nut in a COUNTERCLOCKWISE direction by hand.

Fig .N parts description see below:

| | |
|-----|---------------|
| N-1 | Nut |
| N-2 | Outer flange |
| N-3 | 3-teeth blade |

7. Position the gear case against a solid surface for support. With one hand hold the brush cutter shaft and the other hand grasp the multi-function wrench to tighten the nut following the directional arrow icon marked on the outer flange (Fig. O).

USE OF GUARD ACCESSORY

NOTICE: When the brush cutter is equipped with a trimmer head, the guard accessory must be mounted onto the guard.

Secure the guard accessory onto the guard by tightening the three screws with the hex wrench due to the line-cutting blade is equipped on the guard accessory. Failure to comply could result in an overly long cutting line and motor overload.

OPERATION

WARNING: Do not allow familiarity with this product to make you careless. Remember that a careless fraction of a second is sufficient to inflict serious injury.

WARNING: Always wear eye protection, along with hearing protection. Failure to do so could result in objects being thrown into your eyes and other possible serious injuries.

WARNING: Do not use any attachments or accessories not recommended by the manufacturer of this product. The use of attachments or accessories not recommended can result in serious personal injury.

APPLICATIONS

You may use the brush cutter for the purpose listed below:

- **With 3-teeth metal blade:** Cutting grass, weeds, wild growth and scrub, thinning young stands with a maximum stem diameter of 2cm.
- **With Trimmer Head:** Trimming grass and weeds from around porches, fences and decks.

NOTICE: The tool is to be used only for its prescribed purpose. Any other use is deemed to be a case of misuse.

ATTACHING/DETACHING THE BATTERY PACK

Fully charge before first use.

To Attach

Align the battery rib with the mounting slots and press the battery pack down until you hear a “click” (Fig. P).

To Detach

Depress the battery-release button and the battery pack out (Fig. Q).

Fig. P parts description see below:

| | |
|-----|---------------|
| P-1 | Mounting Slot |
| P-2 | Rib |

MOUNT THE DOUBLE-SHOULDER STRAP AND HOLDING THE MACHINE

Put the double-shoulder strap on your body and insert the two parts of the strap buckle into each other until a click is heard (Fig. R-1). Align the hook of hip pad into hole of the tubing clip fixed on the shaft, and press the shaft down softly (Fig. R-2 & R-3 & R-4).

Hold the line trimmer with both hands on the right side of your body (Fig. S). The trimmer head or blade should be parallel to the ground at a proper cutting distance without the operator bending over.

Releasing the brush cutter can be achieved in two ways;. Release the strap buckle (Fig. T) or press the hook of the strap and take it apart from the tubing clip fixed on the shaft (Fig. R-2).

⚠ WARNING: When emergency occurs, take it off from your shoulder immediately, no matter what way the strap is in. Releasing the strap buckle (Fig. T) and both hands taking off your shoulders at each side is a quick release method.

⚠ WARNING: You should not use the single-shoulder strap and double-shoulder strap simultaneously.

STARTING/STOPPING THE BRUSH CUTTER

To Start

Press down the lock-off lever and hold it in that position. Depress the trigger to start (Fig. U).

Different pressure on the trigger results in variable rotating speed of the cutting unit. If necessary, adjust the speed limiting lever to set the maximum speed.

NOTICE: The speed limiting lever can also be preset to limit the trigger travel.

To Stop

Release the trigger.

NOTICE: The motor runs only when the lock-off lever and trigger are both pressed.

⚠ WARNING: Always remove the battery pack from the line trimmer during work breaks and after finishing work.

USING THE MACHINE

⚠ WARNING: Dress properly to reduce the risk of injury when operating the brush cutter. Do not wear loose clothing or jewelry. Wear eye and ear/hearing protection. Wear heavy duty, long trousers, boots and gloves. Do not wear short trousers, sandals or go barefoot.

Before operating, look around you to ensure a safety working area without other people, animals or any loose objects. Make sure they are at least 15m away. And then check for eye protection, proper clothing and balanced footing.

Before each use check for damaged/worn parts.

Check the trimmer head, 3-teeth blade, guard, guard accessory, bike handle and double-shoulder strap and replace any parts that are cracked, warped, bent, or damaged in any way. The line-cutting blade on the edge of the guard accessory can dull over time. It is recommended that you periodically sharpen it with a file or replace it with a new blade.

After each use, clean the brush cutter

USING WITH TRIMMER HEAD

Adjusting cutting line length

The trimmer head allows the operator to release more cutting line without stopping the motor. As line becomes frayed or worn, additional line can be released by lightly tapping the bump knob on the ground while operating the trimmer (Fig. V).

NOTICE: Line release will become more difficult if the cutting line becomes too short.

⚠ WARNING: Do not remove or alter the line-cutting blade assembly. Excessive line length will cause the motor to overheat and may result in serious personal injury.

Line Replacement

NOTICE: Always use the recommended nylon cutting line with a diameter that does not exceed 2.4 mm. Using line other than that specified may cause the brush cutter to overheat or become damaged.

⚠ WARNING: Never use metal-reinforced line, wire, or rope, etc. These can break off and become dangerous projectiles.

1. Remove the battery pack.
2. Remove the remaining cutting line, if necessary.
3. Rotate the spool retainer in the direction indicated by the arrow, as necessary, to align the LOAD line on the spool retainer with the eyelets in the spool base (Fig. W-1).
4. Cut 5m of cutting line, and insert the line into the mounting hole inside the eyelet (Fig. W-2). Push and pull the line from the other side until equal amounts of line appear on both sides of the spool (Fig. W-3).
5. Press, while rotating the spool retainer in the arrow direction, to wind the line onto the spool until approximately 14cm of line is showing on each side (Fig. W-4).
6. Push the spool retainer down while pulling on the lines to manually advance the line and to check for proper assembly of the trimmer head.

When the cutting line breaks from the line outlet or the cutting line is not released when tapping the trimmer head, follow the steps below:

1. Remove the battery pack.
2. Press the release tabs on the spool retainer and remove the spool retainer by pulling it straight out (Fig. H-1 & H-2).
3. Remove the cutting line from the spool retainer.
4. With one hand holding the spool base, use the other hand to grasp the spool retainer and align the tabs on the spool retainer with the holes in the spool base (Fig. X-1); use your palm to press and rotate the spool retainer left and right until the tabs lock with the spool base (Fig. X-2).
5. Reload the cutting line.

USING WITH 3-TEETH METAL

⚠ WARNING: To cut wild growth and scrub, lower the rotating 3-teeth blade down onto the growth to achieve a chopping effect. Use the brush cutter like a scythe (sweep it to the right and left) at ground level. Do not use the cutting unit above waist height.

⚠ WARNING: The higher the cutting unit is off the ground, the greater the risk of injury from cuttings being thrown sideways.

⚠ WARNING: When cutting young stands or other woody materials up to 2cm in diameter, use the left side of the blade to avoid blade thrust situations. Do not attempt to cut woody material with a larger diameter, since the blade may catch or jerk the brush cutter forward. This may cause damage to the blade or the brush cutter or loss of control of the brush cutter, resulting personal injury.

⚠ WARNING: Improper use of a blade may cause it to crack, chip, or shatter. Thrown parts may seriously injure the operator or bystander. To reduce the risk of personal injury, it is essential to take the following precautions:

- Avoid contact with hard or solid foreign objects such as stones, rocks or pieces of metal.
- Never cut wood or shrubs with a stem diameter of more than 2cm.
- Inspect the blade at a regular short interval for signs of damage. Do not continue working with a damaged blade.
- Re-sharpen the blade regularly (when it has dulled noticeably) and have it balanced if necessary (performed by a qualified service technician).

Blade Thrust

Exercise extreme caution when using the 3-teeth blade with this unit. Blade thrust is the reaction that may occur when the spinning blade contacts anything it cannot cut. This contact may cause the blade to stop for an instant and suddenly “thrust” the unit away from the object that was hit. This reaction can be violent enough to cause the operator to lose control of the unit. Blade thrust can occur without warning if the blade snags, stalls, or binds. This is more likely to occur in areas where it is difficult to see the material being cut. For cutting ease and safety, approach the weeds being cut with the brush cutter from the right to the left. In the event an unexpected object or woody stock is encountered, this practice could minimize the blade thrust reaction.

MAINTENANCE

⚠ WARNING: Before inspecting, cleaning or servicing the unit, stop the motor, wait for all moving parts to stop, and remove the battery pack. Failure to follow these instructions can result in serious personal injury or property damage.

⚠ WARNING: When servicing, use only identical replacement parts. Use of any other parts may create a hazard or cause product damage. To ensure safety and reliability, all repairs should be performed by a qualified service technician.

GENERAL MAINTENANCE

Avoid using solvents when cleaning plastic parts. Most plastics are susceptible to damage from various types of commercial solvents and may be damaged by their use. Use clean clothes to remove dirt, dust, oil, grease, etc.

CLEAN THE MACHINE

- After each use of 3-teeth blade / trimmer head, clean the debris, clogged soils or grass on the blade and guard with a soft brush.

NOTICE: When the line-cutting blade becomes dull, please sharpen it performed by a qualified service technician or replace with a new line-cutting blade as necessary.

- After each use of brush cutter, clean the cutting unit using a damp cloth with a mild detergent.
- Do not use any strong detergents on the plastic housing or the handle. They can be damaged by certain aromatic oils, such as pine and lemon, and by solvents such as kerosene. Moisture can also cause a shock hazard. Wipe off any moisture with a soft dry cloth.
- Use a small brush or a small vacuum cleaner to clean the air vents on the rear housing.

STORING THE MACHINE

- Remove the battery pack from the tool.
- Wear heavy gloves to clean the tool thoroughly.
- Mount the blade sheath onto the 3-teeth blade for safe saving (Fig. Y).
- Store the unit in a dry, well-ventilated area, locked-up or up high, out of the reach of children. Do not store the machine on or adjacent to fertilizers, gasoline, or other chemicals.

Protecting the environment



Do not dispose of electrical equipment, battery charger and batteries/ rechargeable batteries into household waste!

According to the European law 2012/19/EU, electrical and electronic equipment that is no longer usable, and according to the European law 2006/66/EC, defective or used battery packs/batteries, must be collected separately.

If electrical appliances are disposed of in landfills or dumps, hazardous substances can leak into the groundwater and get into the food chain, damaging your health and well-being.

EC DECLARATION OF CONFORMITY



We, EGO EUROPE GMBH.

Wahlwiesenstrasse 1, D-71711 Steinheim an der Murr Deutschland

Declare that the product **56 VOLT LITHIUM-ION REAR MOTOR BIKE-HANDLE BRUSH CUTTER BC3800E** complies with the essential health and safety requirements of the following Directives:

2006/42/EC, 2014/30/EU, 2011/65/EU, 2000/14/EC

Standards and technical specifications referred to:

EN ISO 11806-1, EN 60745-1, EN 55014-1, EN 55014-2, IEC 62321.

| | Trimmer head | 3-teeth metal blade |
|-------------------------------|--------------|---------------------|
| Measured Sound Power Level: | 94.80 dB(A) | 94.04 dB(A) |
| Guaranteed Sound Power Level: | 96 dB(A) | 96 dB(A) |

Conformity assessment procedure of Annex VI is followed according 2000/14/EC.

Notified Body: DEKRA Certification B.V. Meander 1051 / P.O. box 5185 6525 MJ ARNHEM / 6802 ED ARNHEM, Netherlands

Notified Body number: 0344

Peter Melrose
Managing Director of EGO
Europe GmbH

Dong Jianxun
Quality Manager of Chervon

* (Authorized representative for CHERVON and responsible for technical documentation)

01/09/2017

TROUBLESHOOTING

EN

| PROBLEM | CAUSE SOLUTION | SOLUTION |
|----------------|--|--|
| Fail to start. | <ul style="list-style-type: none"> ■ The battery pack is not attached to the brush cutter. ■ No electrical contact between the brush cutter and the battery pack. ■ The battery pack is depleted. ■ The lock-off lever and trigger are not depressed simultaneously. | <ul style="list-style-type: none"> ■ Attach the battery pack to the power head. ■ Remove battery, check contacts and reinstall the battery pack until it snaps into place. ■ Charge the battery pack with EGO chargers listed in this manual. ■ Press down the lock-off lever and hold it, then depress the trigger to turn on the brush cutter. |
| Stop working. | <ul style="list-style-type: none"> ■ The motor is overloaded. ■ Heavy cutting line is used. ■ The battery pack or the brush cutter is too hot. ■ The battery pack is disconnected from the tool. ■ The battery pack is depleted. | <ul style="list-style-type: none"> ■ The motor will recover when the load is removed. For continuous working, decrease the load on the power head. ■ Use standard nylon cutting line with diameter no more than 2.4mm. ■ Allow the battery pack or the power head to cool until the temperature drops below 67°C. ■ Re-install the battery pack. ■ Charge the battery pack with EGO chargers listed in this manual. |

**EN**

| PROBLEM | CAUSE SOLUTION | SOLUTION |
|--|---|---|
| Trimmer head will not advance line (only using with trimmer head). | <ul style="list-style-type: none">■ The motor shaft or trimmer head is bound with grass.■ There is not enough line on the spool.■ The trimmer head is dirty.■ Line is tangled on spool.■ The line is too short. | <ul style="list-style-type: none">■ Stop the machine, remove the battery and remove the grass from the motor shaft and trimmer head.■ Remove the battery and replace the cutting line, follow the section “LINE REPLACEMENT” in this manual.■ Remove the battery and clean the spool, spool retainer and spool base.■ Remove the battery, remove the line from the spool and rewind, follow the section “LINE REPLACEMENT” in this manual.■ Remove the battery and pull the lines while alternately pressing down on and releasing the bump knob. |

WARRANTY

EGO WARRANTY POLICY

Please visit the website egopowerplus.com for full terms and conditions of the EGO Warranty policy.

LESEN SIE ALLE ANWEISUNGEN



LESEN SIE DIE BEDIENUNGSANLEITUNG

⚠ Restrisiko! Menschen mit elektronischen Geräten, wie z.B. Herzschrittmachern, sollten ihren Arzt konsultieren, bevor sie dieses Gerät verwenden. Die Bedienung von Elektrogeräten in unmittelbarer Nähe zu Herzschrittmachern kann zu Interferenzen und Störungen des Schrittmachers führen.

⚠ WARNUNG: Um die Sicherheit und Zuverlässigkeit zu gewährleisten, sollten alle Reparaturen und der Austausch von Teilen nur von qualifizierten Servicetechnikern durchgeführt werden.

SICHERHEITSSYMBOL

Der Zweck von Warnsymbolen besteht darin, Ihre Aufmerksamkeit auf mögliche Gefahren zu lenken. Die Warnsymbole und deren Erklärungen verdienen Ihre vollste Aufmerksamkeit und Beachtung. Durch die Warnsymbole allein sind die Gefahren noch nicht ausgeschaltet. Die Anweisungen und Warnhinweise stellen keinen Ersatz für angemessene Unfallverhütungsmaßnahmen dar.

⚠ WARNUNG: Vor der Benutzung dieses Werkzeugs sollten alle Sicherheitshinweise in dieser Bedienungsanleitung gelesen und bekannt sein. Das gilt auch für sämtliche Warnsymbole, die auf „GEFAHR“, „WARNUNG“, und „VORSICHT“ hinweisen. Die Nichtbeachtung auch nur einer der unten aufgeführten Anweisungen kann zu Stromschlägen, Feuer und/oder schweren Verletzungen führen.

SYMBOLBEDEUTUNG

⚠ SICHERHEITSWARNSYMBOL: Bedeutet GEFAHR, WARNUNG oder Vorsicht, kann zusammen mit anderen Symbolen oder Symbolen benutzt werden.



⚠ WARNUNG: Die Bedienung von Elektrogeräten kann dazu führen, dass Fremdkörper in Ihre Augen geschleudert werden und Sie dadurch schwerwiegende Augenschäden davontragen. Tragen Sie immer eine Schutzbrille, wenn möglich mit Seitenschutz, oder, falls nötig, einen vollen Gesichtsschutz, bevor Sie Arbeiten mit dem Elektrowerkzeug verrichten. Wir empfehlen Ihnen, einen Gesichtsschutz über Ihrer eigenen Brille oder eine herkömmliche Schutzbrille mit Seitenschutz zu tragen.

SICHERHEITSHINWEISE

Auf dieser Seite werden die Warnsymbole vorgestellt und beschrieben, die sich unter Umständen am Gerät befinden. Lesen, verinnerlichen und befolgen Sie alle Anleitungen am Gerät, bevor Sie versuchen, das Gerät zusammenzubauen und zu bedienen.

DE

| | | |
|--|-------------------------------|--|
| | Sicherheitswarnung | Weist auf mögliche Verletzungsgefahr hin. |
| | Lesen sie alle anweisungen! | Um das Verletzungsrisiko zu verringern, muss der Benutzer die Bedienungsanleitung vor der Verwendung des Gerätes gelesen und verstanden haben. |
| | Augenschutz tragen | Tragen Sie immer eine Schutzbrille, möglichst mit Seitenschutz, und einen Gesichtsschutz, wenn Sie das Gerät bedienen. |
| | Tragen Sie einen Gehörschutz. | Tragen Sie immer einen Lärmschutz (Ohrenstöpsel oder Kapselgehörschutz), um Ihr Gehör zu schützen. |
| | Kopfschutz tragen | Tragen Sie einen geprüften Helm, um Ihren Kopf zu schützen. |
| | Schutzhandschuhe tragen | Schützen Sie Ihre Hände mit Handschuhen, wenn Sie das Gestrüppmesser oder die Messerschuttabdeckung anfassen. Robuste, rutschfeste Handschuhe verbessern Ihre Griffsicherheit und schützen Ihre Hände. |
| | Schutzschuhe tragen | Tragen Sie beim Gebrauch dieses Gerätes rutschfeste Sicherheitsschuhe. |
| | Vorsicht - Rückschlaggefahr | Warnen Sie den Benutzer vor der Rückschlaggefahr. |

| | | |
|---|--|--|
|  | Querschläger und Unbefugte Personen fernhalten | Herumgeschleuderte Objekte können abprallen und Verletzungen oder Sachschäden verursachen. Stellen Sie bei Betrieb sicher, dass andere Personen und Haustiere sich von dem Gestrüppschneider fernhalten. |
|  | Unbefugte Personen fernhalten | Stellen Sie bei Betrieb sicher, dass andere Personen und Haustiere mindestens 15 m von dem Rasentrimmer entfernt sind. |
|  | Kein rundes Messer | Keine runden Messer installieren. |
|  | Vor Regen schützen | Nicht im Regen verwenden oder bei Regen im Freien liegen lassen. |
|  | CE | Dieses Produkt erfüllt die anwendbaren EG-Richtlinien. |
|  | WEEE | Elektro- und Elektronik-Altgeräte dürfen nicht im Hausmüll entsorgt werden. Bringen Sie das Gerät zu einem zugelassenen Recyclinghof. |
|  | Geräusch | Garantierter Schalleistungspegel Geräuschemission an die Umgebung gemäß Richtlinie der Europäischen Gemeinschaft |
| V | Volt | Spannung |
|  | Gleichstrom | Stromart oder Merkmal des Stroms |
| n_0 | Leerlaufdrehzahl | Drehzahl im Leerlauf |
| ... /min | pro Minute | Umdrehungen pro Minute |

WICHTIGE SICHERHEITSHINWEISE

⚠️ WARNUNG! Beim Gebrauch dieses Produktes sollten stets grundlegende Sicherheitsvorkehrungen beachtet werden, um Verletzungs-, Brand- und Stromschlaggefahren einzudämmen, unter anderem die Folgenden:

VOR DER BENUTZUNG SORGFÄLTIG LESEN ZUM SPÄTEREN NACHSCHLAGEN AUFBEWAHREN

⚠️ GEFAHR! Verlassen Sie sich nicht auf die Isolierung des Werkzeugs gegen Stromschlag. Zur Vermeidung des Stromschlagrisikos darf das Gerät nicht in unmittelbarer Nähe von Leitungen oder Kabeln (Strom etc.) eingesetzt werden, die Strom führen.

⚠️ VORSICHT! Tragen Sie während des Gebrauchs einen angemessenen Gehörschutz. Unter bestimmten Bedingungen und bei längerem Gebrauch kann der Lärm, den dieses Gerät erzeugt, zum Hörverlust beitragen.

SCHULUNG

- Lesen Sie die Anweisungen aufmerksam. Machen Sie sich mit den Bedienelementen und der richtigen Handhabung des Gerätes vertraut.
- Kindern sowie allen Personen, denen die vorliegenden Anleitungen nicht bekannt sind, muss die Benutzung des Gerätes untersagt werden. Für das Mindestalter des Benutzers gelten möglicherweise örtliche Vorschriften.
- Beachten Sie, dass für Unfälle, Personen- oder Sachschäden Dritter der Bediener oder Benutzer des Gerätes verantwortlich ist.

VORBEREITUNG

- Setzen Sie dieses Gerät nie in Betrieb, solange sich noch Personen, insbesondere Kinder, oder Haustiere in der Nähe aufhalten.
- Tragen Sie immer einen Augenschutz und robustes Schuhwerk, während Sie dieses Produkt benutzen.
- Zwischen dem Gerät und umstehenden Personen muss ein Sicherheitsabstand von mindestens 15 m eingehalten werden.

BEDIENUNG

- Arbeiten Sie nur bei Tageslicht oder unter gutem künstlichen Licht mit dem Gestrüppschneider.
- Bei beschädigten, fehlenden oder nicht angebrachten Schutzvorrichtungen darf der Gestrüppschneider nicht in Betrieb genommen werden.
- Schalten Sie den Motor nur ein, wenn Hände und Füße nicht in der Nähe der Schneidwerkzeuge sind.

- Trennen Sie den Gestrüppsneider in folgenden Fällen immer von der Stromversorgung (d.h., Entfernen Sie den Akkusatz):
 - wenn der Gestrüppsneider unbeaufsichtigt zurückgelassen wird;
 - vor dem Beseitigen von Blockaden;
 - vor dem Prüfen, Reinigen oder Arbeiten am Gestrüppsneider;
 - nachdem ein Fremdkörper getroffen wurde;
 - wenn der Gestrüppsneider ungewöhnlich vibriert.
- Schützen Sie Ihre Füße und Hände vor Verletzungen durch das Schneidwerkzeug.
- Stellen Sie immer sicher, dass die Lüftungsöffnungen frei von Ablagerungen bleiben.

WARTUNG UND LAGERUNG

- Trennen Sie den Gestrüppsneider von der Stromversorgung (d.h., Entfernen Sie den Akkusatz.), bevor Sie ihn warten oder reinigen.
- Verwenden Sie nur vom Hersteller empfohlene Ersatzteile und Zubehör.
- Prüfen und warten Sie den Gestrüppsneider regelmäßig. Lassen Sie das Gerät nur von einer autorisierten Servicewerkstatt reparieren.
- Wenn der Gestrüppsneider nicht benutzt wird, bewahren Sie ihn für Kinder unzugänglich auf.

SONSTIGE SICHERHEITSHINWEISE

- **Halten Sie Kinder fern** – Alle Besucher sollten mindestens 30 Meter vom Arbeitsbereich ferngehalten werden.
- **Vermeiden Sie gefährliche Umgebungen** – Benutzen Sie keine Geräte an feuchten oder nassen Hängen.
- **Immer wenn das Werkzeug unbeaufsichtigt zurückgelassen wird, muss der Gestrüppsneider ausgeschaltet oder der Akku entfernt werden.**
- **Benutzen Sie das Gerät nicht im Regen.**
- **Tragen Sie angemessene Kleidung** - Tragen Sie keine weite Kleidung, Schmuck, kurze Hosen, Sandalen und gehen Sie nicht barfuß. Es besteht Gefahr, dass Kleidung oder Schmuck sich in den beweglichen Teilen verfangen. Tragen Sie stets dicke, lange Hosen und ein Oberteil mit langen Ärmeln. Bei Arbeiten im Freien werden Gummihandschuhe und festes Schuhwerk empfohlen. Tragen Sie eine Schutzhaube, um lange Haare aufzufangen und über Schulterhöhe zusammenzuhalten.

- **Tragen Sie eine Schutzbrille** - Tragen Sie immer eine Gesichts- oder Staubschutzmaske, wenn die Staubbelastung bei der Arbeit groß ist.
- **Verwenden Sie das richtige Gerät** – Verwenden Sie das Gerät zu keinem anderen Zweck als den, für den es vorgesehen ist.
- **Üben Sie keinen Druck auf den Gestrüppsneider aus** - Er lässt sich für die Arbeiten besser und sicherer in dem jeweils vorgesehenen Tempo einsetzen.
- **Strecken Sie sich nicht zu weit nach vorn** – Achten Sie stets auf einen festen Stand und halten Sie das Gleichgewicht.
- **Blieben Sie wachsam** – Achten Sie auf das, was Sie tun. Lassen Sie gesunden Menschenverstand walten. Benutzen Sie den Gestrüppsneider nicht, wenn Sie müde sind.
- **Benutzen Sie den Gestrüppsneider nicht, wenn Sie unter dem Einfluss von Alkohol oder Drogen stehen.**
- **Alle Schutzvorrichtungen müssen angebracht und intakt sein.**
- **Halten Sie Hände und Füße vom Schneidbereich fern.**
- **Lagern Sie den Gestrüppsneider im Gebäude** - Wenn der Gestrüppsneider nicht benötigt wird, sollte er in einem Gebäude an einem trockenen und hohen oder abgeschlossenen Ort aufbewahrt werden, der für Kinder unzugänglich ist.
- **Warten Sie den Gestrüppsneider sorgfältig** – Halten Sie das Schneidwerkzeug sauber, damit es stets gut funktioniert und die Verletzungsgefahr verringert wird. Befolgen Sie die Anleitungen zum Wechseln des Zubehörs. Halten Sie die Griffe trocken, sauber und frei von Öl oder Fett.
- **Untersuchen Sie beschädigte Teile** – Bevor Sie den Gestrüppsneider weiter benutzen, müssen Sie eine Schutzabdeckung oder ein anderes Teil, das beschädigt ist, sorgfältig untersuchen, um zu bestimmen, ob es ordnungsgemäß funktionieren und seine bestimmungsgemäße Aufgabe erfüllen wird. Achten Sie auf die Ausrichtung oder Behinderung beweglicher Teile, auf Bruchstellen, Befestigungen und alle anderen Umstände, die die Funktion des Gerätes beeinträchtigen könnten. Eine Schutzabdeckung oder ein anderes Teil, das beschädigt ist, sollte von einer autorisierten Servicewerkstatt sachgemäß repariert oder ersetzt werden, sofern nicht anders in dieser Bedienungsanleitung angegeben.

- **Stellen Sie sicher, dass alle Befestigungselemente sich an ihrem Platz befinden und fixiert sind. Vergewissern Sie sich, ob der Schneidaufsatzschutz korrekt befestigt und in der vom Hersteller empfohlenen Position angebracht ist.**
- **Räumen Sie den Arbeitsbereich vor jedem Einsatz auf.** Entfernen Sie alle Objekte, wie z.B. Steine, zerbrochenes Glas, Nägel, Drähte oder Schnüre, die aus dem Gerät herausgeschleudert werden oder sich in dem Schneidwerkzeug verfangen könnten. Halten Sie den Bereich von Kindern, umstehenden Personen und Haustieren frei. Alle Kinder, umstehenden Personen und Haustiere sollten einen Mindestabstand von 15 m (50 ft) zum Arbeitsbereich einhalten. Auch außerhalb eines Umkreises von 15 m (50 ft) besteht noch Verletzungsgefahr durch weggeschleuderte Objekte. Zuschauer sollten gebeten werden, Schutzbrillen aufzusetzen.
- **Prüfen Sie den Gestrüppschneider vor dem Gebrauch und nach jedem Stoß auf Anzeichen von Verschleiß oder Schäden und reparieren Sie den Schaden ggf.**
- **Halten Sie den Gestrüppschneider bei der Arbeit stets mit beiden Händen an den Griffen fest. Umfassen Sie mit Ihren Fingern und den Daumen die Griffe.**
- **Vermeiden Sie einen versehentlichen Gerätestart** – Tragen Sie den Gestrüppschneider nicht mit dem Finger am Ein-/Ausschalter.
- **Benutzen Sie den Gestrüppschneider nicht in gashaltigen oder explosionsgefährdeten Bereichen.** Die Motoren in diesen Geräten erzeugen normalerweise Funken und die Funken können Dämpfe entzünden.
- **Schäden am Gestrüppschneider** – Wenn Sie mit dem Gestrüppschneider einen Fremdkörper treffen oder er verhängt sich, halten Sie das Werkzeug sofort an, entfernen Sie den Akku aus dem Gestrüppschneider, prüfen Sie ihn auf Beschädigungen und lassen Sie eventuelle Beschädigungen reparieren, bevor Sie den Betrieb fortsetzen. Benutzen Sie das Gerät nicht mit defekter Schutzabdeckung oder defektem Schneidaufsatz.
- **Falls das Gerät ungewöhnlich zu vibrieren beginnt, schalten Sie den Motor aus, entfernen Sie den Akku aus dem Gestrüppschneider und suchen Sie sofort nach der Ursache.** Vibrationen weisen im Allgemeinen auf Probleme hin. Ein gelockertes Schneidwerk kann vibrieren, zerspringen, durchbrechen oder sich vom Gestrüppschneider ablösen. Dadurch besteht schwere oder gar tödliche Verletzungsgefahr. Stellen Sie sicher, dass das Schneidwerk korrekt installiert und sicher befestigt ist. Falls sich das Schneidwerk nach dem Anbringen wieder löst, muss es sofort ersetzt werden. Verwenden Sie niemals einen Gestrüppschneider mit locker sitzendem Schneidwerk.
- **Ersetzen Sie ein gerissenes, beschädigtes oder abgenutztes Schneidwerk sofort, selbst wenn sich die Beschädigung lediglich auf oberflächliche Risse beschränkt.** Bei diesem Schneidwerk besteht die Gefahr, dass es bei hoher Drehzahl zerspringt und schwere oder tödliche Verletzungen verursacht.
- **Um das Verletzungsrisiko zu reduzieren, arbeiten Sie nie auf einer Leiter oder einem anderen wackeligen Untergrund. Halten Sie das Schneidwerk niemals über Taillenhöhe.**
- **Verwenden Sie niemals andere Drähte anstatt der Nylon-Mähfäden. Es könnten Stücke von dem Draht abbrechen und mit hoher Geschwindigkeit auf den Benutzer oder umstehende Personen geschleudert werden.**
- **Bewahren Sie Ihre Standfestigkeit und Ihr Gleichgewicht.** Strecken Sie sich nicht zu weit nach vorn. Halten Sie das Schneidwerk unterhalb Taillenhöhe. Halten Sie alle Ihre Körperteile von dem rotierenden Schneidwerk fern.
- **Überprüfen Sie das Schneidwerk in regelmäßigen Abständen während des Betriebs und sobald Sie eine Veränderung beim Schnittverhalten bemerken.**
- **Benutzen Sie nur von EGO zugelassene Polymerfäden und Messerzubehör, Mähfäden und Messer, die für dieses Werkzeug vorgesehen sind. Bestimmte unzulässige Zubehörteile können zudem sehr gefährlich sein und/oder die Werkzeuge beschädigen.**
- **Wenn jemand auf Sie zukommt, stellen Sie den Motor und das Schneidwerk ab.**
- **Warnen Sie den Benutzer vor der Rückschlaggefahr (nur mit einem 3-zahnigen Messer benutzen).**
 - Zu einem Rückschlag kann es kommen, wenn das rotierende Messer auf ein Objekt stößt, dass es nicht sofort schneiden kann.
 - Ein Rückschlag kann so heftig sein, dass das Gerät und/oder der Benutzer in jede Richtung geschleudert werden können und der Benutzer möglicherweise die Kontrolle über das Gerät verliert.
 - Ein Rückschlag kann plötzlich auftreten, wenn das Messer stecken bleibt, blockiert oder sich verklemmt.
 - Ein Rückschlag kann eher an Stellen auftreten, wo es schwierig ist, das zu schneidende Material zu sehen.

- Befestigen Sie kein Messer an einem Gerät, ohne alle erforderlichen Teile sachgemäß zu installieren. Das Messer könnte sich lösen und dem Benutzer und/oder Umstehenden schwere Verletzungen zufügen, wenn nicht die richtigen Teile benutzt werden. Entsorgen Sie verbogene, verformte, gerissene, gebrochene oder in irgendeiner Weise beschädigte Messer. Benutzen Sie ein scharfes Messer. Ein stumpfes Messer wird eher stecken bleiben und einen Rückschlag verursachen (nur mit einem 3-zahnigen Messer benutzen).
- Der Akku muss sicher entsorgt werden.
- Ein auslaufendes Messer/auslaufender Mähfaden kann Verletzungen verursachen, während es/er sich noch dreht, nachdem der Motor angehalten oder der Ein-/Ausschalter losgelassen wurde. Halten Sie das Gerät gut fest, bis das Messer/der Mähfaden vollkommen stillsteht.
- Laden Sie den Akku nicht im Regen oder an nassen Orten auf.
- Verwenden Sie das Gerät nur mit den im Folgenden aufgeführten Akkus und Ladegeräten von EGO:

| AKKU | LADEGERÄT |
|---|--------------------|
| BA1120E, BA1400, BA2240E, BA2800, BA3360, BA4200, BAX1300 | CH2100E CH5500E |

- Der Akkusatz muss aus dem Gerät entfernt werden, wenn es ausrangiert wird.
- Werfen Sie den Akku nicht ins Feuer. Die Zellen können explodieren. Ziehen Sie die örtlichen Vorschriften zurate, um mehr über mögliche Sondervorschriften zur Entsorgung zu erfahren.
- Öffnen oder zerstören Sie den Akku nicht. Der auslaufende Elektrolyt ist ätzend und kann Augen oder Haut schädigen. Bei Verschlucken besteht Vergiftungsgefahr.
- Lassen Sie beim Umgang mit dem Akku Vorsicht walten, um den Akku nicht mit leitenden Materialien wie Ringen, Armbändern und Schlüsseln kurzzuschließen. Der Akku oder der elektrische Leiter können überhitzen und Verbrennungen verursachen.
- Ersatzteile - Verwenden Sie für die Wartung nur baugleiche EGO-Ersatzteile. Bei anderen Zubehörteilen oder Aufsätzen besteht erhöhte Verletzungsgefahr.
- Akkubetriebene Werkzeuge müssen nicht an eine Steckdose angeschlossen werden; sie sind daher immer einsatzbereit. Seien Sie sich möglicher Gefahren bewusst, selbst wenn das Werkzeug nicht eingeschaltet ist. Lassen Sie bei Wartungsarbeiten oder Reparaturen Vorsicht walten.

- Entfernen oder trennen Sie den Akku, bevor Sie den Gestrüppschneider reparieren, reinigen oder Schnittgut aus dem Gestrüppschneider entfernen.
- Waschen Sie das Gerät nicht mit dem Wasserschlauch; lassen Sie kein Wasser in den Motor und die elektrischen Verbindungen gelangen.
- Falls Situationen auftreten, die nicht in dieser Bedienungsanleitung behandelt werden, gehen Sie vorsichtig und vernünftig vor. Reparaturanfragen richten Sie bitte an das EGO-Kundendienstzentrum.

HEBEN SIE DIESE ANLEITUNG AUF
TECHNISCHE DATEN

| | | |
|---|-----------------------------|---|
| Schneidwerk | Schneidkopf | 3-zahniges Metall-Messer |
| Spannung | 56 V | 56 V |
| Leerlaufdrehzahl | 4500-6000 /min | 4500-6000 /min |
| Mähfadentyp | 2,4 mm Nylon-Mähfaden | / |
| Gestrüppmesser | / | ABB1203 |
| Schnittbreite | 38 cm | 30 cm |
| Gewicht (Ohne Akkusatz) | 4,35 kg | 4,64 kg |
| Gemessener Schallleistungspegel L_{WA} | 94,80 dB(A) K=1,01 dB(A) | 94,04 dB(A) K=1,71 dB(A) |
| Schalldruckpegel am Ohr des Bedieners L_{PA} | 80,2 dB(A) K=2,5 dB(A) | 80,0 dB(A) K=4,1 dB(A) |
| Garantierter Schallleistungspegel L_{WA} (nach 2000/14/EG gemessen) | 96 dB(A) | 96 dB(A) |
| Schwingungswert a_h | Linker Griff | 2,28 m/s ² K=1,5 m/s ² |
| | Rechter Griff | 2,38 m/s ² K=1,5 m/s ² |
| | | 1,55 m/s ² K=1,5 m/s ² |
| | | 1,88 m/s ² K=1,5 m/s ² |

- Der angegebene Schwingungs-Gesamtwert wurde in Übereinstimmung mit einer Standard-Testmethode gemessen und kann verwendet werden, um Werkzeuge miteinander zu vergleichen.
- Der angegebene Schwingungs-Gesamtwert kann auch als einleitende Feststellung der Belastung verwendet werden.

HINWEIS: Die beim Einsatz des Elektrowerkzeugs entstehenden Istvibrationen können von dem angegebenen Wert abweichen. Zum Schutz des Benutzers sollten Handschuhe und ein Gehörschutz während des Geräteeinsatzes getragen werden.

PACKLISTE

| TEILEBEZEICHNUNG | MENGE |
|-----------------------------|-------|
| Gestrüppschneider | 1 |
| 3-zahniges Messer mit Hülle | 1 |
| Schutzabdeckungseinheit | 1 |
| Mutter | 1 |
| Außenflansch | 1 |
| Inbusschlüssel | 1 |
| Multifunktionsschlüssel | 1 |
| Doppelter Schultergurt | 1 |
| Bedienungsanleitung | 1 |

BESCHREIBUNG

BESCHREIBUNG IHRES GESTRÜPPSCHNEIDERS (Abb. A)

1. Hebel zum Festlegen der Drehzahl
2. Hebel zum Entriegeln
3. Flügelschraube
4. Auslöser
5. Lenkergriff
6. Stiel
7. Mähfaden
8. Schutzabdeckungseinheit
9. Mähkopf
10. Verschlusschraube
11. Antriebswellen-Einrastöffnung
12. Anbauteil für die Schutzabdeckung
13. Multifunktionsschlüssel
14. Inbusschlüssel
15. 3-zahniges Messer
16. Außenflansch
17. Mutter
18. Freigabeknopf
19. Gummischutzpolster
20. Verschluss
21. Elektrische Kontakte
22. Ausstoßmechanismus
23. Gurtschnalle
24. Hüftpolster

⚠️ WARNUNG: Setzen Sie das Werkzeug nur in Betrieb, wenn die Schutzabdeckung fest angebracht ist. Die Schutzabdeckung muss zum dauerhaften Schutz des Benutzers immer am Werkzeug befestigt sein!

⚠️ WARNUNG: Wenn das Werkzeug mit einem Mähkopf ausgestattet ist, muss das Anbauteil für die Schutzabdeckung mit Fadenmesser auf der Schutzabdeckung montiert werden. Andernfalls könnte der Mähfaden übermäßig lang und der Motor überlastet werden. Der Mähkopf darf niemals ohne Anbauteil für die Schutzabdeckung benutzt werden.

MONTAGE

⚠️ WARNUNG: Wenn Teile beschädigt sind oder fehlen, darf der Gestrüppschneider erst in Betrieb genommen werden, wenn alle Teile vollständig angebracht sind. Die Verwendung eines Gestrüppschneiders mit beschädigten Teilen oder eines Gestrüppschneiders, an dem Teile fehlen, kann zu schweren Verletzungen führen.

⚠️ WARNUNG: Versuchen Sie nicht, den Gestrüppschneider zu verändern oder Zubehörteile zu verwenden, die für die Benutzung mit diesem Produkt nicht empfohlen werden. Derartige Änderungen oder Umbauten stellen einen unsachgemäßen Gebrauch dar und können zu gefährlichen Umständen und ernsthaften Verletzungen führen.

⚠️ WARNUNG: Tragen Sie immer dicke Handschuhe, wenn Sie die Schutzabdeckung installieren oder entfernen und Wartungsarbeiten am 3-zahnigen Messer/Fadenmesser durchführen. Achten Sie auf das Fadenmesser am Anbauteil der Schutzabdeckung/3-zahnige Messer und passen Sie auf, dass Sie nicht Ihre Hände an einem der Messer verletzen.

⚠️ WARNUNG: Um einen unbeabsichtigten Geräteanlauf bei der Montage von Teilen oder beim Transport des Gerätes zu verhindern, muss der Akku vom Gerät abgenommen werden, andernfalls besteht schwere Verletzungsgefahr.

⚠️ WARNUNG: Setzen Sie das Werkzeug nur in Betrieb, wenn die Schutzabdeckung und der Lenkergriff fest angebracht sind. Andernfalls kann es zu möglichen schweren Verletzungen kommen.

MONTIEREN UND EINSTELLEN DES LENKERGRIFFS

Der Gestrüppschnaider wird wie in Abb. B gezeigt gelagert. Lösen Sie zuerst die Flügelschraube am Verbindungsgelenk. Heben Sie dann den Lenkergriff 180° um den Stiel herum an (Abb. C), drehen Sie ihn 90° gegen den Uhrzeigersinn, sodass er in Richtung des Fadenkopfs zeigt (Abb. D). Bewegen Sie ihn zu guter Letzt vor und zurück, um eine komfortable Arbeitsposition zu erreichen. Ziehen Sie danach die Schraube fest.

HINWEIS: Das Gerät darf nur mit dem Lenkergriff senkrecht zum Stiel benutzt werden.

MONTIEREN DER SCHUTZABDECKUNG

Lösen Sie die beiden Schrauben am Schaftende (Abb. E) und lassen Sie die Befestigungslöcher des Fadenschutzes mit den Halterungsöffnungen fluchten. Schrauben Sie den Fadenschutz anschließend mit den beiden Schrauben und zwei Federscheiben am Schaftende an (Abb. F).

Achten Sie darauf, dass der Fadenschutz wie in Abb. E & F montiert ist. Wird er falsch herum montiert, besteht große Gefahr!

ERSETZEN DES MÄHKOPFS DURCH DAS 3-ZÄHNIGE MESSER

Folgen Sie den Schritten, die in Abb. H-1 bis Abb. H-4 illustriert sind (siehe Abschnitt „Auswechseln des Fadens“), um den Mähkopf zu entfernen Abb. G. Folgen Sie zur Montage des Messers den folgenden Schritten:

1. Montieren des Metallmessers (Abb. I).
2. Entfernen Sie das Anbauteil der Schutzabdeckung, indem Sie die drei Schrauben mit Unterlegscheibe lösen (Abb. J).
3. Das Messer wird mit einer Hülle geliefert. Bevor Sie das Messer am Gestrüppschnaider montieren, sollte die Hülle entfernt werden, indem Sie den Klammerdraht vom Haken der Hülle lösen (Abb. K).

Teilebezeichnung der Abb. G-K:

| | | | |
|-----|------------------------|-----|-----------------------------------|
| G-1 | Innenflansch | I-3 | Flanschabdeckung |
| G-2 | Flanschabdeckung | I-4 | 3-zahniges Messer |
| G-3 | Obere Gehäuse-Einheit | I-5 | Außenflansch |
| G-4 | Unterlegscheibe | I-6 | Mutter |
| G-5 | Mutter | I-7 | Aussparung im Flansch |
| G-6 | Feder | J-1 | Fadenmesser |
| G-7 | Mähfaden | J-2 | Anbauteil für die Schutzabdeckung |
| G-8 | Untere Gehäuse-Einheit | K-1 | Klammerdraht |
| I-1 | Antriebswelle | K-2 | Haken |
| I-2 | Innenflansch | | |

HINWEIS: Sie müssen im Umgang mit dem 3-zahnigen Messer Handschuhe tragen, um sich vor Verletzungen zu schützen.

4. Drehen Sie die Antriebswelle so, dass die Aussparung im Innenflansch mit der Einrastöffnung im Getriebegehäuse übereinstimmt (Abb. L).
5. Stecken Sie den Inbusschlüssel in die aufeinander ausgerichteten Bohrungen, um die Drehung des Messers zu blockieren (Abb. M).

Teilebezeichnung der Abb. L & M:

| | | | |
|-----|--|-----|---------------|
| L-1 | Getriebegehäuse | L-3 | Antriebswelle |
| L-2 | Aufeinander ausgerichtete Einrastöffnungen | M-1 | Stabilisator |

6. Montieren Sie das Messer an der Antriebswelle und stellen Sie dabei sicher, dass die Oberfläche des Messers mit der Oberfläche der Ausbuchtung des Innenflansches bündig ist. Montieren Sie den Außenflansch und die Mutter (Abb. N). Ziehen Sie die Mutter GEGEN DEN UHRZEIGSINN handfest an.

Teilebezeichnung der Abb. N:

| | |
|-----|-------------------|
| N-1 | Mutter |
| N-2 | Außenflansch |
| N-3 | 3-zahniges Messer |

7. Stützen Sie das Getriebegehäuse an einer festen Fläche ab. Halten Sie mit einer Hand den Gestrüppschnaiderstiel und mit der anderen Hand den Multifunktionsschlüssel, um die Mutter in Richtung des Pfeilsymbols am Außenflansch anzuziehen (Abb. O).

BENUTZUNG DES ANBAUTEILS FÜR DIE SCHUTZABDECKUNG

HINWEIS: Wenn der Gestrüppschnaider mit einem Mähkopf ausgestattet ist, muss das Anbauteil für die Schutzabdeckung auf der Schutzabdeckung montiert werden.

Fixieren Sie das Anbauteil auf der Schutzabdeckung, indem Sie die drei Schrauben mit dem Inbusschlüssel anziehen. Dies ist notwendig, da das Anbauteil das Fadenmesser enthält. Andernfalls könnte der Mähfaden übermäßig lang und der Motor überlastet werden.

BEDIENUNG

⚠️ WARNUNG: Werden Sie nicht leichtsinnig, nur weil Sie mit dem Produkt vertraut sind. Denken Sie daran, dass ein kurzer Moment der Unachtsamkeit genügt, um ernsthaftige Verletzungen zu verursachen.

⚠️ WARNUNG: Tragen Sie immer einen Augenschutz und einen Gehörschutz. Andernfalls besteht die Gefahr, dass Gegenstände in Ihre Augen geschleudert oder andere schwere Verletzungen hervorgerufen werden.

⚠️ WARNUNG: Verwenden Sie keine Aufsätze oder Zubehörteile, die nicht vom Hersteller dieses Produkts empfohlen worden sind. Die Verwendung von anderen bzw. nicht empfohlenen Aufsätzen oder Zubehörteilen kann zu schweren Verletzungen führen.

ANWENDUNGEN

Sie können den Gestrüppschneider für die unten aufgeführten Zwecke einsetzen:

- **Mit 3-zahnigem Metall-Messer:** Schneiden von Gras, Unkraut, Wildwuchs und Gestrüpp, Durchforsten von Jungwuchs mit einem maximalen Stammdurchmesser von 2 cm.
- **Mit Mähkopf:** Mähen von Gras und Unkraut rund um Veranden, Zäune und Terrassen

HINWEIS: Das Gerät darf nur für seinen vorgeschriebenen Zweck verwendet werden. Jede andere Verwendung, zum Beispiel Kantentrimmen, gilt als Missbrauch.

ANBRINGEN/ABNEHMEN DES AKKUS

Laden Sie den Akku vor dem ersten Gebrauch voll auf.

Zum Anbringen

Lassen Sie die Rippe am Akkugehäuse mit den Öffnungen am Gerät fluchten und schieben Sie den Akku bis zum hörbaren Einrasten in das Gerät (Abb. P).

Abnehmen

Drücken Sie den Akku-Freigabeknopf und ziehen Sie den Akku heraus (Abb. Q).

Teilebezeichnung der Abb. P:

| | |
|-----|-----------------|
| P-1 | Einschubschlitz |
| P-2 | Rippe |

ANLEGEN DES DOPPELTEN TRAGEGURTES UND HALTEN DES GERÄTES

Legen Sie den doppelten Schultergurt über Ihre Schultern und stecken Sie die zwei Teile der Schnalle ineinander, bis sie mit einem hörbaren Klicken einrasten (Abb. R-1). Stecken Sie den Haken des Hüftpolsters durch das Loch der Rohrschelle und drücken Sie den Stiel behutsam nach unten (Abb. R-2 & R-3 & R-4).

Halten Sie den Rasentrimmer mit beiden Händen auf der rechten Seite Ihres Körpers (Abb. S). Der Mähkopf oder das Messer sollten parallel zum Boden in angemessenem Schneidabstand gehalten werden, sodass der Benutzer sich nicht vorbeugen muss.

Es gibt zwei Methoden zum Abnehmen des Gestrüppschneiders: Öffnen Sie die Gurtschnalle (Abb. T) oder drücken Sie auf den Haken des Gurtes und ziehen Sie ihn aus der Rohrschelle am Stiel (Abb. R-2).

⚠️ WARNUNG: Nehmen Sie das Gerät in einem Notfall unverzüglich von Ihren Schultern, ganz gleich, in welcher Weise der Gurt befestigt ist. Öffnen Sie die Gurtschnalle (Abb. T) und nehmen Sie die Tragegurte an beiden Seiten mit beiden Händen von den Schultern. Dies ist ein schneller Weg zum Ablegen des Gerätes.

⚠️ WARNUNG: Der einzelne und der doppelte Schultergurt sollten nicht gleichzeitig benutzt werden.

EIN-/AUSSCHALTEN DES GESTRÜPPSCHNEIDERS

Einschalten

Drücken Sie den Hebel zum Entriegeln und halten Sie ihn gedrückt. Drücken Sie zum Starten den Ein-/Ausschalter (Abb. U).

Durch Ändern des Drucks auf den Ein-/Ausschalter wird die Drehzahl des Schneidwerks reguliert. Falls erforderlich, können Sie den Hebel zum Festlegen der Drehzahl betätigen, um die Drehzahl fest eingestellt zu lassen.

HINWEIS: Der Hebel zum Festlegen der Drehzahl kann auch zur Begrenzung des Betätigungswegs des Schalters voreingestellt werden.

Ausschalten

Lassen Sie den Ein-/Ausschalter los.

HINWEIS: Der Motor läuft nur, wenn der Hebel zum Entriegeln und der Ein-/Ausschalter gleichzeitig gedrückt werden.

⚠️ WARNUNG: Nehmen Sie während Arbeitspausen und nach Abschluss der Arbeit stets den Akkusatz aus dem Rasentrimmer.

BENUTZUNG DES GERÄTES

⚠️ WARNUNG: Tragen Sie geeignete Kleidung, um das Verletzungsrisiko bei der Benutzung des Gestrüppschneiders zu reduzieren. Tragen Sie keine weite Kleidung oder Schmuck. Tragen Sie einen Augen- und Gehörschutz. Tragen Sie robuste lange Hosen, Stiefel und Handschuhe. Tragen Sie keine kurze Hose, Sandalen oder gehen Sie barfuß.

Sehen Sie sich um, bevor Sie beginnen, um einen sicheren Arbeitsbereich frei von Menschen, Tieren oder losen Objekten sicherzustellen. Achten Sie darauf, dass Menschen oder Tiere mindestens 15 m entfernt sind. Setzen Sie dann eine Schutzbrille auf, prüfen Sie, ob Sie geeignete Kleidung tragen, und achten Sie auf einen sicheren Stand.

Prüfen Sie vor jedem Gebrauch auf Schäden/abgenutzte Teile Prüfen Sie den Mähkopf, das 3-zahnige Messer, die Schutzabdeckung, das Anbauteil für die Schutzabdeckung, den Lenkergriff sowie den doppelten Schultergurt und ersetzen Sie gerissene, verzogene, verbogene oder anders beschädigte Teile. Das Fadenmesser am Rand des Anbauteils für die Schutzabdeckung wird im Laufe der Zeit stumpf. Es sollte daher regelmäßig mit einer Feile nachgeschliffen oder durch ein neues Messer ersetzt werden.

Reinigen Sie den Gestrüppschneider nach jedem Gebrauch.

BENUTZUNG MIT MÄHKOPF

Einstellen der Mähfadenslänge

Der Mähkopf ermöglicht dem Benutzer, den Mähfaden zu verlängern, ohne den Motor anzuhalten. Wenn der Faden ausfranst oder abgenutzt ist, können Sie durch Tippen des Klopfers auf den Boden weiteren Faden nachführen (Abb. V).

HINWEIS: Das Verlängern des Fadens wird umso schwerer, je kürzer der Faden wird.

⚠️ WARNUNG: Der Fadenmesser-Mechanismus darf nicht verändert oder beseitigt werden. Zu viel Fadenlänge führt zu einer Überhitzung des Motors und kann schwere Verletzungen nach sich ziehen.

Auswechseln des Fadens

HINWEIS: Verwenden Sie immer den empfohlenen Nylon-Mähfaden mit einem Durchmesser von höchstens 2,4 mm. Die Benutzung eines anderen als des empfohlenen Mähfadens kann zum Überhitzen oder zur Beschädigung des Gestrüppschneiders führen.

⚠️ WARNUNG: Verwenden Sie niemals mit Draht, Metall oder Seil verstärkte Fäden o.ä. Diese können abbrechen und zu gefährlichen Geschossen werden.

1. Entfernen Sie den Akkusatz.
2. Entfernen Sie den restlichen Mähfaden, falls erforderlich.
3. Drehen Sie die Spulenhalterung in Pfeilrichtung, bis der Strich „LOAD“ auf der Spulenhalterung mit den Ösen in der Spulenhalterung übereinstimmt (Abb. W-1).

4. Schneiden Sie 5 m Mähfaden ab und stecken Sie den Faden in das Loch in der Öse (Abb. W-2). Schieben Sie den Faden durch und ziehen Sie von der anderen Seite weiter, bis die Fadenstücke auf beiden Seiten der Spule gleich groß sind (Abb. W-3).
5. Drücken Sie auf die Spulenhalterung und wickeln Sie durch Drehen in Pfeilrichtung den Faden auf die Spule, bis auf beiden Seiten etwa 14 cm Faden überstehen (Abb. W-4).
6. Schieben Sie die Spulenhalterung nach unten und ziehen Sie dabei an den Fäden, um den Faden von Hand vorwärts zu bewegen und die richtige Montage des Mähkopfs zu überprüfen.

Wenn der Mähfaden vom Fadenauslass abreißt oder der Mähfaden beim Klopfen des Mähkopfs nicht freigegeben wird, ist wie folgt vorzugehen:

1. Entfernen Sie den Akkusatz.
2. Drücken Sie die Freigabelaschen an der Spulenhalterung und entnehmen Sie die Spulenhalterung, indem Sie diese gerade herausziehen (Abb. H-1 und H-2).
3. Entfernen Sie den Mähfaden aus der Spulenhalterung.
4. Halten Sie die Spulenhalterung mit einer Hand. Greifen Sie mit der anderen Hand die Spulenhalterung und richten Sie die Laschen an der Spulenhalterung an den Löchern in der Spulenhalterung (Abb. X-1) aus. Drücken und drehen Sie die Spulenhalterung mit Ihrer Handfläche nach links und rechts, bis die Laschen in der Spulenhalterung einrasten (Abb. X-2).
5. Laden Sie den Mähfaden nach.

BENUTZUNG MIT 3-ZAHNIGEM METALLMESSER

⚠️ WARNUNG: Um Wildwuchs und Gestrüpp zu schneiden, senken Sie das rotierende 3-zahnige Gestrüppmesser auf das Gestrüpp, um einen abhackenden Effekt zu erzielen. Benutzen Sie den Gestrüppschneider wie eine Sense (schwingen Sie ihn nach links und rechts) auf Bodenebene. Benutzen Sie das Schneidwerk nicht über Taillenhöhe.

⚠️ WARNUNG: Je höher sich das Schneidwerk über dem Boden befindet, umso größer ist die Verletzungsgefahr durch Schnittabfälle, die seitlich weggeschleudert werden.

⚠️ WARNUNG: Wenn Sie Jungwuchs oder anderes Holzmaterial mit einem Durchmesser bis zu 2 cm schneiden, benutzen Sie die linke Seite des Messers, um einen Rückschlag zu vermeiden. Versuchen Sie nicht Holzmaterial mit einem größeren Durchmesser zu schneiden, da das Messer stecken bleiben oder den Gestrüppschneider ruckartig vorwärts ziehen könnte. Das Messer oder der Gestrüppschneider könnten dadurch beschädigt werden oder Sie könnten die Kontrolle über den Gestrüppschneider verlieren und sich verletzen.

⚠️ WARNUNG: Der unsachgemäße Gebrauch eines Messers kann dazu führen, dass es bricht, absplittert oder zerspringt. Herumgeschleuderte Teile können den Benutzer oder Umstehende verletzen. Um die Verletzungsgefahr zu reduzieren, ist es wichtig, die folgenden Vorsichtsmaßnahmen zu befolgen:

- Vermeiden Sie, harte oder feste Objekte, wie Steine, Felsen oder Metallstücke, zu berühren.
- Schneiden Sie niemals Holz oder Gestrüpp mit einem Stammdurchmesser von über 2 cm.
- Untersuchen Sie das Messer in regelmäßigen, kurzen Abständen auf Anzeichen von Beschädigungen. Arbeiten Sie mit einem beschädigten Messer nicht weiter.
- Schärfen Sie das Messer regelmäßig (wenn es merklich stumpf geworden ist) und lassen Sie es gegebenenfalls abgleichen (von einem qualifizierten Servicetechniker).

Rückschlag

Seien Sie äußerst vorsichtig, wenn Sie das 3-zahnige Messer mit diesem Gerät benutzen. Ein Rückschlag ist die Reaktion, die auftreten kann, wenn das rotierende Messer auf etwas trifft, das es nicht schneiden kann. Bei diesem Kontakt kann das Messer einen kurzen Moment stoppen und dann plötzlich das Gerät von dem Objekt, das getroffen wurde, „wegstoßen“. Diese Reaktion kann so heftig sein, dass der Benutzer die Kontrolle über das Gerät verliert. Ein Rückschlag kann plötzlich auftreten, wenn das Messer stecken bleibt, blockiert oder festklemmt. Diese Situation kann eher an Stellen eintreten, wo es schwierig ist, das zu schneidende Material zu sehen. Um das Schneiden zu erleichtern und Ihre Sicherheit zu gewährleisten, schneiden Sie das Gestrüpp, das Sie entfernen möchten, mit dem Gestrüppschneider von rechts nach links. Falls Sie auf ein unerwartetes Objekt oder holziges Material stoßen, kann diese Methode den Rückschlageffekt minimieren.

WARTUNG

⚠️ WARNUNG: Vor Überprüfung, Reinigung oder Reparatur des Geräts den Motor ausschalten, warten, bis alle beweglichen Teile zum Stillstand gekommen sind, und Akku abnehmen. Bei Nichtbeachtung dieser Anleitungen kann es zu schweren Verletzungen oder Sachschäden kommen.

⚠️ WARNUNG: Für Reparaturen sind ausschließlich baugleiche Ersatzteile zu verwenden. Die Verwendung anderer Teile kann Unfälle und Schäden am Gerät hervorrufen. Um die Sicherheit und Zuverlässigkeit zu gewährleisten, sollten alle Reparaturen nur von qualifizierten Servicetechnikern durchgeführt werden.

ALLGEMEINE WARTUNG

Verwenden Sie keine Lösungsmittel zum Reinigen von Kunststoffteilen. Die verschiedenen handelsüblichen Lösungsmittel greifen die meisten Kunststoffe an. Verwenden Sie zum Entfernen von Schmutz, Staub, Öl, Fett usw. ein sauberes Tuch.

REINIGUNG DES GERÄTES

- Reinigen Sie nach jedem Gebrauch das 3-zahnige Messer/den Mähkopf mit einer weichen Bürste von Erd- und Grasresten am Messer und Messerschutz.

HINWEIS: Wenn das Fadenmesser stumpf geworden ist, lassen Sie es bitte von einem qualifizierten Servicetechniker schärfen oder ersetzen Sie es durch ein neues Fadenmesser, falls notwendig.

- Reinigen Sie das Schneidwerk nach jedem Gebrauch des Gestrüppschneiders mit einem feuchten Tuch und einem milden Reinigungsmittel.
- Benutzen Sie keine starken Reiniger am Kunststoffgehäuse oder am Griff. Diese Elemente können von bestimmten ätherischen Ölen wie Kiefern- oder Zitronenöl und von Lösungsmitteln wie Petroleum angegriffen werden. Bei Feuchtigkeit besteht zudem Stromschlaggefahr. Wischen Sie feuchte Stellen mit einem weichen, Tuch trocken.
- Reinigen Sie die Lüftungsschlitze am hinteren Gehäuse mit einer kleinen Bürste oder einem kleinen Staubsauger.

AUFBEWAHREN DES GERÄTES

- Akku aus dem Werkzeug nehmen.
- Tragen Sie dicke Handschuhe, um das Werkzeug gründlich zu reinigen.
- Setzen Sie die Messerhülle auf das 3-zahnige Messer, um es sicher aufzubewahren (Abb. Y).
- Lagern Sie das Gerät an einem trockenen, gut belüfteten Ort, der sich abschließen lässt oder hoch gelegen und für Kinder unerschbar ist. Lagern Sie das Gerät nicht auf oder neben Düngemitteln, Benzin oder anderen Chemikalien.

Schützen Sie die Umwelt



Entsorgen Sie elektronische Geräte, Ladegeräte und Batterien/Akkus nicht im Hausmüll!

Im Einklang mit der europäischen Richtlinie 2012/19/EG müssen elektrische und elektronische Altgeräte separat gesammelt werden. Dasselbe gilt auch für defekte oder verbrauchte Akkus/ Batterien nach der europäischen Richtlinie 2006/66/EG.

Wenn elektrische Geräte auf Deponien oder Schutthalde entsorgt werden, dann können gefährliche Substanzen ins Grundwasser sickern und in die Nahrungskette übergehen, was Ihre Gesundheit und Ihr Wohlbefinden beeinträchtigen kann.

EG-KONFORMITÄTSERKLÄRUNG

DIE FIRMA EGO EUROPE GMBH

Wahlwiesenstrasse 1, D-71711 Steinheim an der Murr Deutschland

erklärt, dass das Produkt mit der Bezeichnung **56 VOLT LITHIUM-IONEN-GESTRÜPPSCHNEIDER MIT HECKMOTOR UND LENKERGRIFB BC3800E** die einschlägigen Anforderungen folgender Richtlinien in Bezug auf die Gesundheit und Sicherheit erfüllt:

2006/42/EG, 2014/30/EU, 2011/65/EU, 2000/14/EG

Zugeordnete Normen und technische Bestimmungen:

EN ISO 11806-1, EN 60745-1, EN 55014-1, EN 55014-2, IEC 62321.

| | Schneidkopf | 3-zahniges Metall-Messer |
|--|-------------|--------------------------|
| Gemessener Schallleistungspegel: | 94,80 dB(A) | 94,04 dB(A) |
| Gewährleisteter Schalleistungsspiegel: | 96 dB(A) | 96 dB(A) |

Das Konformitätsbewertungsverfahren von Anhang VI richtet sich nach 2000/14/EG.

Benannte Stelle: DEKRA Certification B.V. Meander 1051 / P.O. box 5185 6525 MJ ARNHEM / 6802 ED ARNHEM, Netherlands

Nummer der Benannten Stelle: 0344

Peter Melrose
Geschäftsführer der
EGO Europe GmbH

Dong Jianxun
Qualitätsmanager
Chervon

* (Verantwortlicher Vertreter von CHERVON und technischer Dokumentationsverantwortlicher)

01/09/2017

FEHLERBEHEBUNG

DE

| PROBLEM | URSACHE | LÖSUNG |
|-------------------|--|--|
| Startet nicht. | <ul style="list-style-type: none"> ■ Der Akku ist nicht am Gestrüppschneider angebracht. ■ Kein elektrischer Kontakt zwischen Gestrüppschneider und Akku. ■ Der Akku ist leer. ■ Der Hebel zum Entriegeln und der Ein-/Ausschalter wurden nicht gleichzeitig gedrückt. | <ul style="list-style-type: none"> ■ Akku in den Kombimotor einsetzen. ■ Akku abnehmen, Kontakte überprüfen und wieder einsetzen, bis er einrastet. ■ Akku mit den in dieser Anleitung aufgeführten EGO-Ladegeräten aufladen. ■ Halten Sie den Hebel zum Entriegeln gedrückt und drücken Sie dann den Ein-/Ausschalter, um den Gestrüppschneider einzuschalten. |
| Läuft nicht mehr. | <ul style="list-style-type: none"> ■ Der Motor ist überlastet. ■ Der eingesetzte Mähfaden ist zu schwer. ■ Akku oder Gestrüppschneider ist zu heiß. ■ Akku ist nicht mit dem Werkzeug verbunden. ■ Der Akku ist leer. | <ul style="list-style-type: none"> ■ Der Motor kommt wieder in Schwung, wenn die Last abgenommen wird. Für durchgehendes Arbeiten die Last des Kombimotors verringern. ■ Verwenden Sie herkömmliche Nylon-Mähfäden mit einem Durchmesser von höchstens 2,4 mm. ■ Lassen Sie den Akku und den Kombimotor unter 67° C abkühlen. ■ Setzen Sie den Akku wieder ein. ■ Akku mit den in dieser Anleitung aufgeführten EGO-Ladegeräten aufladen. |

| PROBLEM | URSACHE | LÖSUNG |
|--|---|--|
| Mähkopf transportiert Mähfaden nicht weiter (nur bei Benutzung mit Mähkopf). | <ul style="list-style-type: none"> ■ Die Antriebswelle oder der Mähkopf wird durch Gras blockiert. ■ Es ist nicht mehr genügend Faden in der Spule. ■ Der Mähkopf ist verschmutzt. ■ Der Faden hat sich auf der Spule verheddert. ■ Der Faden ist zu kurz. | <ul style="list-style-type: none"> ■ Stellen Sie das Gerät aus, entfernen Sie den Akku und beseitigen Sie das Gras an der Antriebswelle und am Mähkopf. ■ Entfernen Sie den Akku und wechseln Sie den Mähfaden aus. Sehen Sie dazu Abschnitt „AUSWECHSELN DES FADENS“ in dieser Bedienungsanleitung. ■ Entfernen Sie den Akku und reinigen Sie die Spule, die Spulenhalterung und die Spulenbasis. ■ Entfernen Sie den Akku, nehmen Sie den Faden aus der Spule und wickeln Sie ihn wieder auf. Sehen Sie dazu Abschnitt „AUSWECHSELN DES FADENS“ in dieser Bedienungsanleitung. ■ Entfernen Sie den Akku und ziehen Sie die Fäden, während Sie abwechselnd den Klopfknopf drücken und loslassen. |

GARANTIE

EGO GEWÄHRLEISTUNGSRICHTLINIE

Bitte besuchen Sie unsere website egopowerplus.com mit den kompletten EGO Garantiebedingungen.

LISEZ TOUTES LES INSTRUCTIONS!



FR

LISEZ LE MANUEL D'UTILISATION

⚠ Risques résiduels ! Les personnes portant des appareils électroniques, par exemple des stimulateurs cardiaques, doivent consulter leur(s) médecin(s) avant d'utiliser ce produit. L'utilisation d'un équipement électrique près d'un stimulateur cardiaque peut provoquer des interférences ou la panne du stimulateur cardiaque.

⚠ AVERTISSEMENT : Pour garantir la sécurité et la fiabilité, toutes les réparations et tous les changements de pièce doivent être effectués par un réparateur qualifié.

SYMBOLES DE SÉCURITÉ

L'objectif des symboles de sécurité est d'attirer votre attention sur des dangers potentiels. Les symboles de sécurité et les explications les accompagnant doivent être lus avec attention et compris. Les symboles de mise en garde ne permettent pas par eux-mêmes d'éliminer les dangers. Les consignes et mises en garde ne se substituent pas à des mesures de prévention appropriées des accidents.

⚠ AVERTISSEMENT : Lisez et comprenez impérativement toutes les instructions de sécurité de ce manuel d'utilisation, y compris les symboles de mise en garde de sécurité tels que « **DANGER** », « **AVERTISSEMENT** » et « **ATTENTION** » avant d'utiliser cet outil. Ne pas respecter toutes les instructions listées dans ce manuel d'utilisation peut provoquer un choc électrique, un incendie et/ou des blessures corporelles graves.

SIGNIFICATION DES SYMBOLES

⚠ SYMBOLE DE MISE EN GARDE DE SÉCURITÉ : DANGER, AVERTISSEMENT, ou ATTENTION peut être utilisé en conjonction d'autres symboles ou pictogrammes.



⚠ AVERTISSEMENT : L'utilisation d'un outil électrique peut provoquer la projection d'objets étrangers dans vos yeux et des lésions oculaires graves. Avant de commencer à utiliser l'outil électrique, portez toujours un masque de sécurité ou des lunettes de sécurité avec boucliers latéraux, et un masque facial intégral quand cela est nécessaire. Nous vous recommandons de porter un Masque de Sécurité à Vision Panoramique par-dessus des lunettes de vue ou des lunettes de sécurité standards avec boucliers latéraux.

CONSIGNES DE SÉCURITÉ

Cette page décrit des symboles de sécurité pouvant être présents sur ce produit. Lisez, comprenez et respectez toutes les instructions présentes sur l'outil avant d'essayer de l'assembler et de l'utiliser.

| | | |
|--|-----------------------------------|--|
| | Alerte de sécurité | Indique un risque potentiel de blessure corporelle. |
| | Lisez le manuel d'utilisation | Pour réduire le risque de blessures, l'utilisateur doit lire et comprendre le manuel d'utilisation avant d'utiliser ce produit. |
| | Porter une protection oculaire | Toujours porter un masque de sécurité ou des lunettes de sécurité avec boucliers latéraux et un masque facial intégral lors de l'utilisation de ce produit. |
| | Porter une protection auditive | Toujours porter des barrières auditives (bouchons d'oreille ou casque anti-bruit) pour protéger vos capacités auditives. |
| | Porter une Protection de la Tête | Porter un casque de sécurité homologué pour protéger votre tête. |
| | Porter des Gants Protecteurs | Protéger vos mains avec des gants lors de la manipulation de la lame ou du protège-lame. Les gants antidérapants pour travaux lourds améliorent votre préhension et protègent vos mains. |
| | Porter des Chaussures de Sécurité | Porter des chaussures de sécurité antidérapantes pendant l'utilisation de cet équipement. |
| | Prendre garde au rebond de lame. | Mettre en garde l'opérateur contre le danger de rebond de lame. |

| | | |
|----------|--|---|
| | Ricochet et Maintenir les Autres Personnes Éloignées | Des objets projetés peuvent ricocher et provoquer des blessures corporelles ou des dommages matériels. Toujours veiller à ce que les autres personnes et les animaux restent éloignés de la débroussailleuse pendant son utilisation. |
| | Maintenir les Autres Personnes Éloignées | Veiller à ce que les autres personnes et les animaux restent éloignés d'au moins 15 m de la débroussailleuse pendant son utilisation. |
| | Pas de lame ronde. | Ne pas installer de lame de coupe ronde. |
| | Ne pas exposer à la pluie. | Ne pas utiliser sous la pluie et ne pas laisser dehors quand il pleut. |
| | CE | Ce produit est conforme aux directives CE applicables. |
| | DEEE | Les produits électriques usagés ne doivent pas être jetés avec les ordures ménagères. Apportez-les dans un centre de recyclage agréé. |
| | Bruit | Niveau de puissance acoustique garanti. Émission de bruit dans l'environnement conformément à la directive CE. |
| V | Volt | Tension |
| | Courant continu | Type ou caractéristique du courant |
| n_0 | Régime à vide | Vitesse de rotation sans charge |
| ... /min | Par minute | Tours par minute |

CONSIGNES DE SÉCURITÉ IMPORTANTES

⚠ AVERTISSEMENT ! Quand vous utilisez cet outil, respectez toujours certaines précautions de sécurités élémentaires afin de réduire les risques d'incendie, de choc électrique et de blessure corporelle, parmi lesquelles :

LIRE ATTENTIVEMENT AVANT UTILISATION.

CONSERVER POUR CONSULTATION ULTÉRIEURE.

⚠ DANGER ! Ne comptez pas uniquement sur l'isolation de l'outil pour vous protéger des chocs électriques. Pour réduire le risque d'électrocution, n'utilisez jamais l'outil à proximité de câble ou de fils (lignes électriques, etc.), car ils peuvent être parcourus par un courant électrique.

⚠ ATTENTION ! Portez une protection auditive individuelle appropriée pendant l'utilisation. Dans certaines conditions et durées d'utilisation, le bruit généré par ce produit peut contribuer à une perte d'acuité auditive.

ENTRAÎNEMENT

- Lisez attentivement le manuel d'utilisation. Familiarisez-vous avec les commandes et l'utilisation correcte de l'outil.
- Ne laissez jamais des personnes non familiarisées avec ces instructions ou des enfants utiliser l'outil. Les réglementations locales peuvent restreindre l'âge de l'opérateur.
- Gardez à l'esprit que l'utilisateur ou l'opérateur est responsable des accidents ou dangers causés à autrui ou à la propriété d'autrui.

PRÉPARATION

- N'utilisez jamais cet outil quand des personnes, notamment des enfants, ou des animaux sont à proximité.
- Portez en permanence des protections oculaires et des chaussures robustes pendant l'utilisation de cet outil.
- La distance entre l'outil et les autres personnes doit être de 15 m au minimum.

UTILISATION

- Utilisez la débroussailleuse exclusivement à la lumière du jour ou sous une lumière artificielle suffisante.
- N'utilisez jamais la débroussailleuse avec des boucliers ou capots de protection manquants ou endommagés.
- Mettez le moteur en marche uniquement quand vos mains et pieds sont éloignés de l'accessoire de coupe.

- Débranchez toujours la débroussailleuse de l'alimentation électrique (c.-à-d. retirez la batterie).
 - Quand vous laissez la débroussailleuse sans surveillance.
 - Avant d'éliminer un bourrage.
 - Avant d'inspecter, de nettoyer ou de travailler sur la débroussailleuse.
 - Après avoir percuté un objet étranger.
 - Si la débroussailleuse se met à vibrer anormalement.
- Prenez garde à ce que vos pieds et vos mains ne soient pas blessés par l'accessoire de coupe.
- Veillez toujours à ce que les ouïes de ventilation restent exemptes de débris.

ENTRETIEN ET STOCKAGE

- Débranchez la débroussailleuse de l'alimentation électrique (c.-à-d. retirez la batterie) avant d'effectuer une opération d'entretien ou de nettoyage.
- Utilisez exclusivement les accessoires et pièces de rechange recommandés par le fabricant.
- Inspectez et entretenez la débroussailleuse régulièrement. Faites réparer l'outil exclusivement par un réparateur agréé.
- Rangez la débroussailleuse hors de portée des enfants quand vous ne l'utilisez pas.

CONSIGNES DE SÉCURITÉ COMPLÉMENTAIRES

- **Maintenez les enfants éloignés** – Tous les visiteurs doivent rester éloignés d'au moins 30 m de la zone de travail.
- **Évitez les environnements dangereux** – N'utilisez pas les outils sur des pentes humides ou mouillées.
- **Éteignez toujours l'outil et retirez toujours la batterie avant de laisser l'outil sans surveillance.**
- **N'utilisez pas l'outil sous la pluie.**
- **Soyez vêtu de manière appropriée** – Ne portez pas de vêtements amples, de bijoux, de shorts, de sandales, et ne soyez pas pieds nus. Ils peuvent se prendre dans les pièces mobiles. Portez toujours des pantalons longs et épais, et un haut à manche longue. Il est recommandé de porter des chaussures solides et des gants en caoutchouc quand le travail est effectué en extérieur. Portez un couvre-chef pour contenir les cheveux et les maintenir plus haut que les épaules.
- **Portez des lunettes de sécurité** – Utilisez toujours un masque antipoussière ou un masque facial si le travail génère des poussières.
- Utilisez l'outil approprié – N'utilisez pas l'outil à un travail autre que celui pour lequel il a été conçu.
- **Ne forcez pas la débroussailleuse** – L'outil effectuera un travail de meilleure qualité avec un risque de blessure moindre s'il est utilisé au rythme pour lequel il a été conçu.
- **N'essayez pas d'atteindre des endroits difficiles à atteindre** – Ayez toujours des appuis des pieds solides et conservez constamment un bon équilibre.
- **Soyez toujours sur vos gardes** – Regardez ce que vous êtes en train de faire. Faites preuve de bon sens. N'utilisez pas la débroussailleuse quand vous êtes fatigué.
- **N'utilisez pas la débroussailleuse quand vous êtes sous l'influence de l'alcool ou de stupéfiants.**
- **Les dispositifs de protection doivent toujours être assemblés et en bon état de marche.**
- **Maintenez vos mains et vos pieds éloignés de la zone de coupe.**
- **Rangez la débroussailleuse en intérieur** – Quand la débroussailleuse n'est pas utilisée, elle doit être rangée en intérieur dans un endroit sec et en hauteur ou verrouillée avec la batterie retirée, hors de portée des enfants.
- **Entretenez la débroussailleuse avec soin** – Maintenez l'accessoire de coupe propre pour optimiser les performances et réduire le risque de blessures. Respectez les instructions de changement des accessoires. Maintenez les poignées propres, sèches et exemptes d'huile et de graisse.
- **Inspectez les pièces endommagées** – Avant toute utilisation supplémentaire de la débroussailleuse, tout dispositif de protection ou toute autre pièce endommagée doit être minutieusement inspecté pour déterminer s'il fonctionnera normalement et pourra remplir la fonction pour laquelle il est prévu. Contrôlez l'outil pour vérifier qu'aucune pièce mobile n'est coincée ou mal alignée, qu'aucune pièce n'est cassée, et pour tout autre problème pouvant nuire à son fonctionnement. Si une protection ou une autre pièce est endommagée, elle doit être correctement réparée ou remplacée par un centre de maintenance agréé, sauf indication contraire de ce manuel d'utilisation.
- **Vérifiez que toutes les fixations sont en place et serrées. Vérifiez que le capot de protection de l'accessoire de coupe est correctement assemblé et dans la position recommandée par le fabricant.**

- **Nettoyez la zone à couper avant chaque utilisation.** Retirez tous les objets pouvant s'emmêler dans l'accessoire de coupe ou être projetés, par exemple les pierres, les morceaux de verre, les clous, les fils métalliques ou les ficelles. Faites partir toutes les autres personnes, tous les enfants et tous les animaux de l'aire de travail. Au minimum, veillez à ce que les enfants, les autres personnes et les animaux restent éloignés d'au moins 15 m (50') dans toutes les directions ; au-delà de 15 m (50') de la zone, il y a toujours un risque de blessures par des objets projetés. Il faut insister pour que les autres personnes portent une protection oculaire.
- **Avant d'utiliser l'outil et après un impact, inspectez-le pour vérifier qu'il ne présente pas de signe d'usure ou de détérioration et faites effectuer les réparations nécessaires.**
- **Tenez toujours fermement la débroussailleuse avec les deux mains sur ses poignées pendant l'utilisation. Enroulez vos doigts et vos pouces autour des poignées.**
- **Évitez les démarrages accidentels** – Ne portez pas la débroussailleuse avec le doigt sur son interrupteur-gâchette.
- **N'utilisez pas la débroussailleuse dans des atmosphères explosives ou gazeuses.** Les moteurs de ces outils produisent normalement des étincelles et les étincelles peuvent enflammer les vapeurs.
- **Détérioration de la débroussailleuse** – Si vous percutez un objet étranger avec la débroussailleuse ou s'il s'emmêle dedans, éteignez la débroussailleuse immédiatement, retirez-en la batterie, puis vérifiez qu'elle n'est pas endommagée et faites réparer toute détérioration avant d'essayer de la réutiliser. N'utilisez pas l'outil avec une protection ou l'accessoire de coupe endommagé.
- **Si l'outil commence à vibrer anormalement, éteignez son moteur, retirez la batterie de l'outil et inspectez immédiatement l'outil pour en trouver la cause.** Les vibrations indiquent généralement qu'il y a un problème. Une unité de coupe desserrée peut vibrer, se fissurer, casser ou se désolidariser de la débroussailleuse, ce qui peut provoquer des blessures graves ou mortelles. Vérifiez que l'unité de coupe est correctement installée et solidement fixée. Si l'unité de coupe se desserre après avoir été fixée en position, remplacez-la immédiatement. N'utilisez jamais la débroussailleuse avec une unité de coupe mal fixée.
- **Remplacez immédiatement l'unité de coupe si elle est fissurée, endommagée ou usée, même si la détérioration se limite à des fissures superficielles.** De telles unités peuvent éclater à haute vitesse et provoquer des blessures graves ou mortelles.
- **Pour réduire le risque de blessures, ne travaillez jamais sur une échelle ou un autre support non sûr. Ne positionnez jamais l'unité de coupe plus haut que votre taille.**
- **N'utilisez jamais des fils métalliques au lieu des fils de coupe en nylon, car des morceaux de fil métallique pourraient se casser et être projetés à haute vitesse vers l'opérateur et les autres personnes.**
- **Conservez toujours un bon équilibre et des appuis des pieds solides.** N'essayez pas de travailler des endroits difficiles à atteindre. Maintenez l'unité de coupe plus bas que votre taille. Maintenez toutes les parties de votre corps éloignées de l'unité de coupe en rotation.
- **Inspectez l'unité de coupe à intervalles courts et réguliers pendant l'utilisation ou immédiatement si vous constatez un changement notable dans son comportement de coupe.**
- **Utilisez exclusivement des lames et du fil de coupe en polymère agréés par EGO et conçus pour l'usage avec cette débroussailleuse. De plus certaines unités non agréées peuvent être extrêmement dangereuses et/ou endommager les outils.**
- **Si une personne s'approche de vous, éteignez immédiatement le moteur et l'unité de coupe.**
- **Avertissez l'opérateur des dangers du rebond de lame (uniquement avec la lame à 3 dents).**
 - Un rebond de lame peut se produire si la lame en rotation entre en contact avec un objet qu'elle ne coupe pas immédiatement.
 - Le rebond de lame peut être suffisamment violent pour projeter l'outil et/ou l'opérateur dans n'importe quelle direction et provoquer la perte de contrôle de l'outil.
 - Le rebond de lame peut se produire sans avertissement si la lame se coince, se bloque ou s'accroche.
 - Un rebond de lame a une plus forte probabilité de se produire dans les endroits où il est difficile de voir le matériau à couper.
- **N'assemblez jamais une lame sur un outil sans correctement installer toutes les pièces requises. Ne pas utiliser les pièces appropriées peut provoquer la désolidarisation et la projection de la lame, et des blessures graves chez l'opérateur et/ou d'autres personnes. Jetez les lames tordues, voilées, fissurées, cassées ou présentant la moindre détérioration. Utilisez une lame affûtée. Une lame émoussée a une plus forte probabilité de se coincer et de provoquer un rebond (uniquement pour la lame à 3 dents).**



- La batterie doit être mise au rebut d'une manière sûre.
- Un fil/lame en roue libre peut provoquer des blessures pendant qu'il reste en rotation après que vous ayez relâché l'interrupteur-gâchette ou après l'arrêt du moteur. Maintenez un contrôle approprié jusqu'à ce que le fil/lame se soit complètement arrêté de tourner.
- Ne rechargez pas la batterie sous la pluie ni dans les endroits mouillés.
- Utilisez exclusivement les batteries et les chargeurs EGO listés ci-dessous :

| BATTERIE | CHARGEUR |
|---|------------------|
| BA1120E, BA1400, BA2240E, BA2800, BA3360, BA4200, BAX1300 | CH2100E, CH5500E |

- La batterie doit être retirée de l'outil avant la mise au rebut.
- Ne jetez pas la batterie dans un feu. Les cellules peuvent exploser. Consultez les réglementations locales pour connaître d'éventuelles dispositions spéciales de mise au rebut.
- N'ouvrez pas la batterie et ne la mutilez pas. L'électrolyte sortant des batteries est corrosif et peut blesser les yeux et la peau. Il peut être toxique s'il est avalé.
- Faites attention lors de la manipulation des batteries pour éviter de les court-circuiter avec des matériaux conducteurs, par exemple des bagues, des bracelets ou des clés. La batterie ou le conducteur peut surchauffer et provoquer des brûlures.
- Pièces de Rechange - L'outil ne doit être réparé qu'avec des pièces de rechange EGO identiques. L'utilisation de tout autre accessoire peut accroître le risque de blessure.
- Les outils alimentés par batterie n'ont pas à être branchés dans une prise électrique, ils sont donc toujours prêts à fonctionner. Prenez garde aux dangers potentiels même quand l'outil n'est pas en fonctionnement. Faites attention pendant l'entretien ou la réparation.
- Retirez ou débranchez la batterie avant toute opération de réparation, de nettoyage ou de retrait de matière de la débroussailleuse.
- Ne lavez pas l'outil avec un tuyau. Évitez que de l'eau ne pénètre dans le moteur et sur les connexions électriques.
- Si des situations non couvertes par ce manuel se produisent, faites preuve de prudence et de bon sens. Contactez le centre de réparation EGO pour lui demander conseil.

CONSERVEZ CE MANUEL D'UTILISATION!

SPÉCIFICATIONS

| | | |
|--|--|--|
| Unité de coupe | Tête de coupe 0 | Lame en métal à 3 dents |
| Tension | 56 V  | 56 V  |
| Régime à vide | 4500-6000 /min | 4500-6000 /min |
| Type de fil de coupe | Fil torsadé en nylon 2,4 mm | / |
| Lame de coupe | / | ABB1203 |
| Largeur de coupe | 38 cm | 30 cm |
| Poids (Capot de protection auxiliaire) | 4,35 kg | 4,64 kg |
| Niveau de puissance acoustique mesuré L_{WA} | 94,80 dB(A) K=1,01 dB(A) | 94,04 dB(A) K=1,71 dB(A) |
| Niveau de pression acoustique à la position de l'opérateur L_{PA} | 80,2 dB(A) K=2,5 dB(A) | 80,0 dB(A) K=4,1 dB(A) |
| Niveau de puissance acoustique garanti L_{WA} (conformément à la norme 2000/14/CE) | 96 dB(A) | 96 dB(A) |
| Valeur des vibrations a_h | Poignée gauche | 2,28 m/s ² K=1,5 m/s ² |
| | Poignée droite | 2,38 m/s ² K=1,5 m/s ² |
| | | 1,55 m/s ² K=1,5 m/s ² |
| | | 1,88 m/s ² K=1,5 m/s ² |

- La valeur totale des vibrations indiquée a été mesurée selon une procédure conforme à une méthode de test standardisée et peut servir pour comparer différents outils.
- La valeur totale des vibrations indiquée peut également servir pour effectuer une première évaluation de l'exposition.

REMARQUE : L'émission de vibrations pendant l'utilisation réelle de l'outil électrique est fonction de la manière dont il est utilisé et peut différer de la valeur indiquée. Pour se protéger, l'opérateur doit porter des gants et un casque antibruit dans les conditions actuelles d'utilisation.

CONTENU DE L'EMBALLAGE

| NOM DE PIÈCE | QUANTITÉ |
|----------------------------------|----------|
| Débroussailleuse | 1 |
| Lame à 3 dents avec protège-lame | 1 |
| Capot de protection | 1 |
| Écrou | 1 |
| Bride externe | 1 |
| Clé six pans | 1 |
| Clé multifonction | 1 |
| Harnais d'épaule double | 1 |
| Manuel d'utilisation | 1 |

DESCRIPTION

DESCRIPTION DE VOTRE DÉBROUSSAILLEUSE (Image A)

1. Levier de limitation de la vitesse
2. Levier de déverrouillage
3. Vis papillon
4. Interrupteur-gâchette
5. Guidon
6. Manche
7. Fil de coupe
8. Capot de protection
9. Tête de coupe
10. Vis d'étanchéité
11. Trou de blocage de la broche
12. Capot de protection auxiliaire
13. Clé multifonction
14. Clé six pans
15. Lame à 3 dents
16. Bride externe
17. Écrou
18. Bouton de déblocage
19. Patin en caoutchouc de protection
20. Languette de fixation
21. Contacts électriques
22. Mécanisme d'éjection
23. Boucle de harnais
24. Patin de hanche

⚠ AVERTISSEMENT : N'utilisez jamais l'outil sans son capot de protection solidement assemblé. Le capot de protection doit toujours être assemblé sur l'outil pour protéger l'utilisateur.

⚠ AVERTISSEMENT : Quand l'outil est équipé avec une tête de coupe, le capot de protection auxiliaire avec coupe-fil doit être assemblé sur le capot de protection. Ne pas respecter cette exigence provoquera un allongement excessif du fil de coupe et la surcharge du moteur. N'utilisez jamais la tête de coupe sans le capot de protection auxiliaire.

ASSEMBLAGE

⚠ AVERTISSEMENT : Si des pièces sont endommagées ou manquantes, n'utilisez pas la débroussailleuse tant que toutes les pièces n'ont pas été remplacées. Utilisez la débroussailleuse avec des pièces endommagées ou manquantes peut provoquer des blessures corporelles graves.

⚠ AVERTISSEMENT : N'essayez pas de modifier la débroussailleuse ou de créer des accessoires non recommandés pour l'usage avec ce produit. De tels modifications et changements constituent un usage impropre et peuvent engendrer des situations dangereuses pouvant provoquer des blessures corporelles graves.

⚠ AVERTISSEMENT : Portez toujours des gants épais lors de l'installation ou du démontage du capot de protection et pendant toutes les opérations d'entretien de la lame à 3 dents ou du coupe-fil. Prenez garde au coupe-fil présent sur le capot de protection auxiliaire et à la lame à 3 dents. Protégez vos mains pour éviter qu'elles ne soient blessées par les lames.

⚠ AVERTISSEMENT : Pour prévenir un démarrage accidentel pouvant provoquer des blessures corporelles graves, retirez toujours la batterie de l'outil lors de l'assemblage de pièces ou du transport de l'outil.

⚠ AVERTISSEMENT : N'utilisez jamais l'outil sans le capot de protection et le guidon solidement assemblés. Ne pas respecter cette exigence peut provoquer des blessures corporelles graves.

ASSEMBLER ET RÉGLER LE GUIDON

La débroussailleuse se range dans la position montrée sur l'image B. Desserrez d'abord la vis papillon du connecteur, puis relevez le guidon de 180° autour du manche (Image C), tournez-le de 90° dans le sens antihoraire pour le placer face à la tête de coupe (Image D). Pour terminer, déplacez-le d'avant en arrière jusqu'à trouver une position de travail confortable et terminez en resserrant la vis.

REMARQUE : L'utilisation de l'outil n'est autorisée qu'avec le guidon perpendiculaire au manche.

ASSEMBLER LE CAPOT DE PROTECTION

Desserrez et retirez les deux vis de la base du manche (Image E), alignez les trous du capot de protection avec les trous d'assemblage, puis fixez-le sur la base du manche avec les deux vis et deux rondelles élastiques (Image F).

Vérifiez que le capot de protection est fixé comme montré sur les images E et F, un montage inversé est très dangereux!

REEMPLACER LA TÊTE DE COUPE PAR LA LAME À 3 DENTS

Observez la tête de coupe et effectuez les opérations des images H-1 - images H-4 (voir le chapitre « Changer le fil de coupe ») pour démonter la tête de coupe (images G). Pour assembler la lame, procédez comme suit :

1. Pour assembler la lame métallique (Image I).
2. Démontez le capot de protection auxiliaire en retirant les trois vis et rondelles (Image J).
3. La lame est fournie avec un protège-lame. Avant d'assembler la lame sur la débroussailleuse, le protège-lame doit être retiré en défaisant la tige de blocage du crochet du protège-lame (Image K).

Image G-K Description des pièces, voir ci-dessous :

| | | | |
|-----|--------------------------------|-----|--------------------------------|
| G-1 | Bride interne | I-3 | Rondelle de bride |
| G-2 | Rondelle de bride | I-4 | Lame a 3 dents |
| G-3 | Boîtier de bobine | I-5 | Bride externe |
| G-4 | Rondelle | I-6 | Écrou |
| G-5 | Écrou | I-7 | Rainure de bride |
| G-6 | Ressort | J-1 | Lame coupe-fil |
| G-7 | Fil de coupe | J-2 | Capot de protection auxiliaire |
| G-8 | Couvercle de boîtier de bobine | K-1 | Tige de blocage |
| I-1 | Broche d'entraînement | K-2 | Crochet |
| I-2 | Bride interne | | |

REMARQUE : Pour éviter de vous blesser, vous devez porter des gants avant toute opération sur la lame à 3 dents.

4. Tournez la broche d'entraînement pour aligner la rainure de la bride interne avec le trou de blocage de la broche du boîtier d'engrenage (Image L).
5. Insérez la clé six pans dans les trous alignés pour servir de stabilisateur (Image M).

Image L & M Description des pièces, voir ci-dessous :

| | | | |
|-----|---------------------------------------|-----|-----------------------|
| L-1 | Boîtier d'engrenage | L-3 | Broche d'entraînement |
| L-2 | Trous alignés de blocage de la broche | M-1 | Stabilisateur |

6. Insérez la lame sur la broche d'entraînement en veillant à ce que la surface de la lame soit au ras de la surface du renflement de la bride interne. Assemblez la bride externe et l'écrou (Image N). Pré-serrez l'écrou dans le SENS ANTIHORAIRE à la main.

Image N Description des pièces, voir ci-dessous :

| | |
|-----|----------------|
| N-1 | Écrou |
| N-2 | Bride externe |
| N-3 | Lame à 3 dents |

7. Placez le boîtier d'engrenage contre une surface rigide pour faire support. En tenant le manche de la débroussailleuse d'une main et en tenant la clé multifonction de l'autre main, serrez l'écrou dans le sens de la flèche présente sur la bride externe (Image O).

UTILISER LE CAPOT DE PROTECTION AUXILIAIRE

REMARQUE : Quand la débroussailleuse est équipée avec une tête de coupe, le capot de protection auxiliaire doit être assemblé sur le capot de protection principal.

Fixez le capot de protection auxiliaire sur le capot de protection principal en serrant les trois vis avec la clé six pans. Le capot de protection auxiliaire comporte un coupe-fil. Ne pas respecter cette exigence peut provoquer la longueur excessive du fil de coupe et la surcharge du moteur.

UTILISATION

⚠ AVERTISSEMENT : Veillez à ne pas devenir moins prudent au fur et à mesure que vous vous familiarisez avec cet outil. Gardez à l'esprit qu'une seconde d'inattention peut suffire pour provoquer des blessures graves.

⚠ AVERTISSEMENT : Portez toujours une protection oculaire et une protection auditive. Sans protection, des objets peuvent être projetés dans vos yeux et d'autres blessures graves peuvent se produire.

⚠ AVERTISSEMENT : N'utilisez aucun accessoire ou pièce non recommandé par le fabricant de ce produit. L'utilisation d'accessoires ou de pièces non recommandés peut provoquer de graves blessures corporelles.

APPLICATIONS

Vous pouvez utiliser la débroussailleuse pour les finalités listées ci-dessous :

- **Avec la lame métallique à 3 dents :** Couper les herbes, les mauvaises herbes, la végétation sauvage et les broussailles, et éclaircir les jeunes arbustes ayant une tige d'un diamètre maximal de 2 cm.
- **Avec la tête de coupe :** Couper le gazon et les mauvaises herbes autour des porches, barrières et terrasses.

REMARQUE : L'outil ne doit être utilisé qu'à la finalité spécifiée pour lui. Tout autre usage, par exemple tailler des haies, est considéré impropre.

INSÉRER/RETIRER LA BATTERIE

Rechargez complètement la batterie avant la première utilisation.

Insertion

Alignez les arêtes de la batterie avec les rainures d'assemblage et appuyez la batterie vers le bas jusqu'à entendre un dé clic (Image P).

Retrait

Appuyez sur le bouton de déblocage de la batterie et retirez la batterie (Image Q).

Image P Description des pièces, voir ci-dessous :

| | |
|-----|----------------------|
| P-1 | Rainure d'assemblage |
| P-2 | Arête |

INSTALLER LE HARNAIS D'ÉPAULE DOUBLE ET TENIR L'OUTIL

Placez le harnais d'épaule double sur votre corps et insérez les deux parties de la boucle du harnais l'une dans l'autre jusqu'à entendre un dé clic (Image R-1). Alignez le crochet du patin de hanche et le trou du clip tubulaire du manche et abaissez doucement le manche vers le bas (Images R-2, R-3 et R-4).

Tenez l'outil à deux mains sur la droite de votre corps (Image S). La tête de coupe ou la lame doit être parallèle au sol à une distance de coupe appropriée sans que l'opérateur soit penché.

La débroussailleuse peut être détachée de deux manières : Défaites la boucle de harnais (Image T) ou appuyez sur le crochet du harnais et défaites-le du clip tubulaire du manche (Image R-2).

⚠ AVERTISSEMENT : En cas d'urgence, retirez-le immédiatement de vos épaules quelle que soit la position du harnais. Défaire la boucle du harnais (Image T) et le retirer de vos épaules avec les mains de chaque côté est une méthode de retrait rapide.

⚠ AVERTISSEMENT : Vous ne devez pas utiliser la sangle une épaule et le harnais deux épaules simultanément.

ALLUMER/ÉTEINDRE LA DÉBROUSSAILLEUSE

Allumer l'outil

Appuyez sur le levier de déverrouillage et maintenez-le appuyé. Appuyez sur l'interrupteur-gâchette (Image U). Différents niveaux de pression sur l'interrupteur-gâchette produisent différentes vitesses de rotation de l'unité de coupe. Si nécessaire, réglez le levier de limitation de la vitesse pour définir la vitesse maximale.

REMARQUE : Le levier de limitation de la vitesse permet également de limiter le déplacement de l'interrupteur-gâchette.

Éteindre l'outil

Relâchez l'interrupteur-gâchette.

REMARQUE : Le moteur ne marche que lorsque le levier de déverrouillage et l'interrupteur-gâchette sont tous les deux appuyés.

⚠ AVERTISSEMENT : Retirez toujours la batterie de l'outil pendant les pauses durant le travail et après avoir terminé le travail.

UTILISER L'OUTIL

⚠ AVERTISSEMENT : Soyez correctement vêtu pour réduire le risque de blessures pendant l'utilisation de la débroussailleuse. Ne portez pas de vêtement ample ni de bijou. Porter des protections oculaires et auditives. Portez toujours des gants, des bottes et des pantalons longs et épais. Ne portez pas de shorts ni de sandales et ne soyez pas pieds nus.

Pendant l'utilisation, regardez autour de vous pour vérifier que l'aire de travail est sûre et qu'elle ne comporte aucune personne, aucun animal, ni aucun objet non fixé. Veillez à ce qu'ils soient éloignés d'au moins 15 m. Puis vérifiez que vous portez une protection oculaire, une tenue appropriée et des appuis des pieds équilibrés.

Avant chaque utilisation, inspectez l'outil pour vérifier qu'aucune de ses pièces n'est endommagée/usée.

Inspectez la tête de coupe, la lame à 3 dents, le capot de protection principal et le capot de protection auxiliaire, le guidon et le harnais d'épaule double. Remplacez toute pièce fissurée, voilée, tordue, ou endommagée. Le coupe-fil présent sur le bord du capot de protection auxiliaire s'use avec le temps. Il est recommandé de l'affûter régulièrement avec une lime ou de le remplacer par une lame neuve.

Après chaque utilisation, nettoyez la débroussailleuse.

UTILISER LA TÊTE DE COUPE

Régler la longueur du fil de coupe

La tête de coupe permet à l'opérateur d'allonger le fil de coupe sans éteindre le moteur. Quand le fil de coupe devient usé ou effiloché, vous pouvez l'allonger en frappant légèrement le bouton de frappe sur le sol pendant que l'outil est en marche (Image V).

REMARQUE : L'allongement du fil est plus difficile quand il devient trop court.

⚠ AVERTISSEMENT : Ne retirez pas et ne modifiez pas l'assemblage du coupe-fil. Si la longueur du fil de coupe est excessive, cela peut provoquer la surchauffe du moteur et des blessures corporelles graves.

Changer le fil de coupe

REMARQUE : Utilisez toujours le fil de coupe en nylon recommandé d'un diamètre ne dépassant pas 2,4 mm. Utiliser un fil de coupe différent que celui spécifié peut provoquer la surchauffe ou la détérioration de la débroussailleuse.

⚠ AVERTISSEMENT : N'utilisez jamais de corde, de fil métallique, de fil à renfort métallique, etc., car ils peuvent se casser et devenir des projectiles dangereux.

1. Retirez la batterie.
2. Retirez le fil de coupe restant, si nécessaire.
3. Tournez le boîtier de bobine dans le sens de la flèche, autant que nécessaire, pour aligner les lignes LOAD du boîtier de bobine avec les œillets de la base de bobine (Image W-1).
4. Coupez 5 m de fil de coupe et insérez le fil dans le trou d'assemblage de l'œillet (Image W-2). Poussez le fil et tirez-le de l'autre côté jusqu'à ce qu'il y ait une longueur de fil identique de chaque côté de la bobine (Image W-3).

5. Appuyez, tout en tournant le boîtier de bobine dans le sens de la flèche, pour enrôler le fil sur la bobine jusqu'à ce que 14 cm environ de fil dépassent de chaque côté (Image W-4).
6. Appuyez sur le boîtier de bobine tout en tirant les extrémités du fil pour les faire sortir manuellement et contrôler le bon assemblage de la tête de coupe.

Si le fil de coupe se casse avant le trou de sortie du fil ou s'il n'avance plus quand vous frappez la tête de coupe, procédez comme suit :

1. Retirez la batterie.
2. Appuyez sur les languettes du boîtier de bobine et sortez le boîtier de bobine en le tirant en ligne droite vers l'extérieur (Images H-1 et H-2).
3. Retirez le fil de coupe du boîtier de bobine.
4. En tenant la base de bobine d'une main, saisissez le boîtier de bobine de l'autre main et alignez ses languettes avec les trous de la base de bobine (Image X-1). Avec la paume de votre main, appuyez sur le boîtier de bobine et tournez-le à gauche et à droite jusqu'à ce que les languettes se verrouillent dans la base de bobine (Image X-2).
5. Rechargez le fil de coupe.

UTILISER LA LAME MÉTALLIQUE À 3 DENTS

⚠ AVERTISSEMENT : Pour couper la végétation sauvage et les broussailles, abaissez la lame à 3 dents en rotation vers le bas sur la végétation pour créer un effet de hachage. Utilisez la débroussailleuse comme une faux (balancez-la à droite et à gauche) au niveau du sol. Ne positionnez pas l'unité de coupe plus haut que votre taille.

⚠ AVERTISSEMENT : Plus l'unité de coupe est haut par rapport au sol, plus il y a de risques de blessures dues aux projections latérales de végétaux coupés.

⚠ AVERTISSEMENT : Lors de la coupe de jeunes arbustes ou d'autres matériaux en bois d'un diamètre allant jusqu'à 2 cm, utilisez le côté gauche de la lame pour éviter des rebonds de lame. N'essayez pas de couper des matériaux en bois d'un diamètre supérieur, car la lame risque de s'accrocher ou de renvoyer les végétaux coupés vers l'avant. Cela peut provoquer la détérioration de la lame ou de la débroussailleuse, vous en faire perdre le contrôle et provoquer des blessures corporelles.

⚠ AVERTISSEMENT : L'usage impropre d'une lame peut la fissurer, l'ébrécher ou la faire éclater. Les morceaux projetés peuvent gravement blesser l'opérateur ou les autres personnes. Pour réduire le risque de blessures corporelles, il est essentiel de prendre les précautions suivantes :

- Évitez le contact avec des objets étrangers durs ou rigides, par exemple des pierres, des cailloux ou des morceaux de métal.
- Ne coupez jamais d'arbustes ou de broussailles dont le diamètre est supérieur à 2 cm.
- Inspectez la lame à intervalles courts et réguliers pour vérifier qu'elle n'est pas endommagée. Ne continuez pas à travailler avec une lame endommagée.
- Réaffûtez la lame régulièrement (quand elle est visiblement émoussée) et faites-la équilibrer si nécessaire (cela doit être fait par un réparateur qualifié).

Rebond de lame

Faites extrêmement attention lors de l'utilisation de la lame à 3 dents avec cet outil. Le rebond de lame est une réaction pouvant se produire quand la lame en rotation entre en contact avec quelque chose qu'elle ne peut pas couper. Ce contact peut stopper la lame instantanément et brusquement projeter l'outil loin de l'objet touché. Cette réaction peut être suffisamment violente pour faire perdre le contrôle de l'outil à l'opérateur. Le rebond de lame peut se produire sans avertissement si la lame se coince, se bloque ou s'accroche. Cela a une plus forte probabilité de se produire dans les endroits où il est difficile de voir le matériau à couper. Pour couper facilement et de manière sûre, approchez des végétaux à couper avec la débroussailleuse de la droite vers la gauche. En cas de contact avec des végétaux épais ou des objets imprévus, cette méthode permet normalement de minimiser le rebond de lame.

ENTRETIEN

⚠ AVERTISSEMENT : Avant d'inspecter, de nettoyer ou de réparer l'outil, éteignez le moteur, attendez que toutes les pièces mobiles se soient arrêtées et retirez la batterie. Ne pas respecter ces instructions peut provoquer des blessures corporelles graves et des dommages matériels.

⚠ AVERTISSEMENT : L'outil ne doit être réparé qu'avec des pièces de rechange identique. L'utilisation de toute autre pièce peut créer un danger ou détériorer l'outil. Pour garantir la sécurité et la fiabilité, toutes les réparations doivent être effectuées par un réparateur qualifié.

NETTOYER L'OUTIL

N'utilisez pas de solvant pour nettoyer les pièces en plastique. La plupart des plastiques peuvent être détériorés par de nombreux solvants différents vendus dans le commerce. Utilisez des chiffons propres pour enlever les saletés, les poussières, les huiles, les graisses, etc.

NETTOYER L'OUTIL

- Après chaque utilisation de la tête de coupe ou de la lame à 3 dents, enlevez les débris, la terre et l'herbe de la lame, de la tête de coupe et du capot de protection avec une brosse douce.

REMARQUE : Quand le coupe-fil est émoussé, faites-le affûter par un technicien qualifié ou changez-le par un coupe-fil neuf si nécessaire.

- Après chaque utilisation de la débroussailleuse, nettoyez l'unité de coupe avec un chiffon humide et du détergent doux.
- N'utilisez pas de détergent puissant sur le boîtier en plastique ou sur la poignée, car ils peuvent être endommagés par certaines huiles aromatiques, par exemple de pin et de citron, et par les solvants, par exemple l'essence. L'humidité peut également générer un risque de choc électrique. Essayez les traces d'humidité avec un chiffon doux et sec.
- Avec une petite brosse ou un petit aspirateur, nettoyez les ouïes de ventilation du boîtier arrière.

RANGER L'OUTIL

- Retirez la batterie de l'outil.
- Portez des gants épais pour nettoyer intégralement l'outil.
- Recouvrez la lame à 3 dents avec le protège-lame pour pouvoir la ranger de manière sûre (Image Y).
- Rangez l'outil dans un endroit sec, bien aéré, fermé à clé ou en hauteur, et hors de portée des enfants. Ne rangez pas l'outil sur ou à côté d'engrais, d'essence ou d'autres substances chimiques.

Protection de l'environnement



FR

Ne jetez pas les équipements électriques, les chargeurs de batterie, les batteries rechargeables et les piles avec les ordures ménagères !

Conformément à la directive européenne 2012/19/UE, les équipements électriques et électroniques qui ne sont plus utilisables, et conformément à la directive européenne 2006/66/CE, les batteries rechargeables et les piles usagées ou défectueuses doivent être collectés séparément.

Si les appareils électriques sont jetés dans des décharges ou des dépôts d'ordures, des substances dangereuses peuvent s'infiltrer jusque dans la nappe phréatique et entrer dans la chaîne alimentaire, avec un effet néfaste sur votre santé et votre bien-être.

DÉCLARATION DE CONFORMITÉ CE



Nous, EGO EUROPE GMBH

Wahlwiesenstrasse 1, D-71711 Steinheim an der Murr
Deutschland

Déclarons que le produit **DÉBROUSSAILLEUSE À GUIDON, MOTEUR ARRIÈRE ET BATTERIE LITHIUM-ION 56 V BC3800E** satisfait aux exigences de santé et de sécurité essentielles des directives suivantes :

2006/42/CE, 2014/30/UE, 2011/65/UE, 2000/14/CE

Normes et spécifications techniques de référence :

EN ISO 11806-1, EN 60745-1, EN 55014-1, EN 55014-2, IEC 62321.

| | Tête de coupe 0 | Lame en métal à 3 dents |
|---|-----------------|-------------------------|
| Niveau de puissance acoustique mesuré: | 94,80 dB(A) | 94,04 dB(A) |
| Niveau de puissance acoustique garanti: | 96 dB(A) | 96 dB(A) |

La procédure d'évaluation de la conformité à l'Annexe VI a été effectuée conformément à la directive 2000/14/CE.

Organisme notifié : DEKRA Certification B.V. Meander
1051 / P.O. box 5185 6525 MJ ARNHEM / 6802 ED
ARNHEM, Netherlands

Numéro d'organisme notifié : 0344

Peter Melrose
Directeur général de
EGO Europe GmbH

Dong Jianxun
Directeur Qualité de
Chervon

* (Représentant autorisé par CHERVON et responsable de la documentation technique)

01/09/2017

DÉPANNAGE

| PROBLÈME | URSACHE | LÖSUNG |
|----------------------------------|--|---|
| L'outil ne démarre pas. | <ul style="list-style-type: none"> ■ La batterie n'a pas été insérée dans la débroussailleuse. ■ Il n'y a pas de contact électrique entre la débroussailleuse et la batterie. ■ La batterie est déchargée. ■ Le levier de déverrouillage et l'interrupteur-gâchette ne sont pas tous les deux appuyés. | <ul style="list-style-type: none"> ■ Insérez la batterie sur la tête alimentée. ■ Retirez la batterie, contrôlez les contacts, puis réinsérez la batterie jusqu'à ce qu'elle s'encastre. ■ Rechargez la batterie avec les chargeurs EGO listés dans ce manuel d'utilisation. ■ Appuyez sur le levier de déverrouillage et maintenez-le appuyé, puis appuyez sur l'interrupteur-gâchette pour allumer la débroussailleuse. |
| L'outil s'arrête de fonctionner. | <ul style="list-style-type: none"> ■ Le moteur est en surcharge. ■ Un fil de coupe trop épais est utilisé. ■ La batterie ou la débroussailleuse est trop chaude. ■ La batterie est déconnectée de l'outil. ■ La batterie est déchargée. | <ul style="list-style-type: none"> ■ Le moteur pourra redémarrer quand la charge aura été retirée. Pour un usage continu, réduisez la charge sur la tête alimentée. ■ Utilisez du fil de coupe en nylon standard d'un diamètre maximal de 2,4 mm. ■ Laissez la batterie ou la tête alimentée refroidir jusqu'à ce que sa température baisse sous 67 °C. ■ Réinstallez la batterie. ■ Rechargez la batterie avec les chargeurs EGO listés dans ce manuel d'utilisation. |

FR

| PROBLÈME | URSACHE | LÖSUNG |
|--|--|--|
| Le fil de coupe ne s'allonge pas (uniquement avec la tête de coupe). | <ul style="list-style-type: none"> ■ La broche du moteur ou la tête de coupe est bloquée par de l'herbe. ■ Il n'y a pas assez de fil de coupe sur la bobine. ■ La tête de coupe est sale. ■ Le fil de coupe est emmêlé sur la bobine. ■ Le fil de coupe est trop court. | <ul style="list-style-type: none"> ■ Éteignez l'outil, retirez la batterie, puis retirez l'herbe de l'arbre du moteur et de la tête de coupe. ■ Retirez la batterie et changez le fil de coupe. Pour cela, consultez le chapitre « CHANGER LE FIL DE COUPE » de ce manuel d'utilisation. ■ Retirez la batterie et nettoyez la bobine, le boîtier de bobine et la base de la bobine. ■ Retirez la batterie, enlevez le fil de coupe de la bobine, puis rembobinez-le. Pour cela, consultez le chapitre « CHANGER LE FIL DE COUPE » de ce manuel d'utilisation. ■ Retirez la batterie, puis tirez les extrémités du fil de coupe tout en appuyant et en actionnant le bouton de frappe. |

GARANTIE

POLITIQUE DE GARANTIE EGO

Veuillez consulter le site egopowerplus.com pour trouver l'ensemble des modalités et conditions de la politique de garantie EGO.

¡LEA TODAS LAS INSTRUCCIONES!



LEA EL MANUAL DEL USUARIO

⚠️ ¡Riesgo residual! Aquellas personas con implantes electrónicos, tales como marcapasos, deberán consultar a su médico antes de utilizar este producto. La utilización de equipos eléctricos a proximidad de un marcapasos podría causar en este interferencias o averías.

⚠️ ADVERTENCIA: Para garantizar la seguridad y fiabilidad de la herramienta, confíe cualquier reparación y sustitución de piezas que sea necesaria a personal técnico cualificado.

SÍMBOLOS RELACIONADOS CON LA SEGURIDAD

El propósito de los símbolos de seguridad es el de atraer su atención hacia los posibles peligros que conlleva la utilización del producto. Los símbolos de seguridad y las explicaciones que los acompañan requieren su máxima atención y comprensión. Por sí solos, los símbolos de advertencia no eliminan los posibles peligros que pudieran existir. Las instrucciones y advertencias que aquí se incluyen no son sustitutas en modo alguno de las medidas de prevención adecuadas que deben tomarse para evitar posibles accidentes.

⚠️ ADVERTENCIA: Antes de utilizar esta herramienta, asegúrese de haber leído y entendido perfectamente todas las instrucciones incluidas en este Manual del usuario, incluidos todos los símbolos de aviso sobre seguridad, como "PELIGRO", "ADVERTENCIA", y "PRECAUCIÓN". De no observarse todas las instrucciones proporcionadas a continuación podría existir un riesgo de incendio, electrocución, así como de lesiones físicas graves.

SIGNIFICADO DE LOS DISTINTOS SÍMBOLOS

⚠️ SÍMBOLO DE AVISO DE SEGURIDAD: Indica PELIGRO, ADVERTENCIA, o PRECAUCIÓN, se puede usar en combinación con otros símbolos o pictogramas.












⚠️ ADVERTENCIA: Es posible que, cuando se utilizan herramientas eléctricas, salgan despedidos objetos que podrían causar lesiones oculares graves. Antes de empezar a usar herramientas eléctricas, póngase siempre gafas de seguridad o gafas que cuenten con pantallas de protección lateral y una máscara que proteja completamente la cara en caso necesario. Recomendamos la utilización de máscaras de seguridad de amplia visión que pueden utilizarse encima de gafas graduadas, o bien gafas normales de seguridad equipadas con pantallas laterales.

ES

INSTRUCCIONES RELACIONADAS CON LA SEGURIDAD

Esta página muestra y describe los símbolos de seguridad que puede haber en este producto. Asegúrese de leer, comprender y cumplir todas las instrucciones que se indican en la máquina antes de proceder a su montaje y utilización.

| | | |
|--|------------------------------------|--|
| | Aviso de seguridad | Indica una situación potencialmente peligrosa que podría provocar lesiones. |
| | Lea el Manual del usuario | Para reducir el riesgo de lesiones, será necesario leer y entender el Manual del usuario antes de utilizar este producto. |
| | Utilizar protección ocular | Utilice siempre utilice gafas de seguridad o gafas con pantallas de protección lateral y una máscara que proteja completamente la cara cuando utilice este producto. |
| | Utilizar protección auditiva | Utilice siempre protección contra el ruido (tapones para los oídos u orejeras) para proteger sus oídos. |
| | Utilizar protección para la cabeza | Lleve puesto casco de seguridad para protegerse la cabeza de posibles impactos. |

| | | |
|---|---|---|
|  | Utilizar guantes de protección | Utilice guantes para proteger sus manos cuando manipule la cuchilla o la protección de la cuchilla. Utilice guantes resistentes y antideslizantes que mejoren el agarre y le protejan las manos. |
|  | Utilizar calzado de seguridad | Lleve calzado de seguridad antideslizante siempre que utilice este equipo. |
|  | Tener cuidado con el contragolpe de las cuchillas | Advierta al usuario del peligro de contragolpe de las cuchillas. |
|  | y mantener alejadas a otras personas | Los objetos lanzados pueden rebotar y provocar lesiones personales o daños materiales. Asegúrese de que las personas y los animales domésticos se mantengan alejados cuando se esté usando la desbrozadora. |
|  | Mantener alejadas a otras personas | Asegúrese de que las personas y los animales domésticos se mantengan a una distancia mínima de 15 m cuando se esté usando el cortabordes. |
|  | No usar cuchillas redondas | No instale cuchillas redondas. |
|  | No exponer a la lluvia | No utilice la herramienta bajo la lluvia ni la deje a la intemperie cuando esté lloviendo. |
|  | CE | Este producto cumple las directivas de la CE aplicables. |
|  | WEEE | Los productos eléctricos no deben eliminarse con la basura doméstica. Lívelos a un centro de reciclaje autorizado. |

| | | |
|---|--------------------|--|
|  | Ruido | Nivel de potencia acústica garantizado. La emisión de ruido al medio ambiente cumple la directiva de la Comunidad Europea. |
| V | Voltios | Tensión |
|  | Corriente continua | Tipo o característica de la corriente |
| n_0 | Velocidad en vacío | Velocidad de giro, sin carga |
| ... /min | Por minuto | Revoluciones por minuto |

INSTRUCCIONES DE SEGURIDAD IMPORTANTES

⚠ ¡ADVERTENCIA! Cuando se utilice este producto, deberán adoptarse siempre ciertas precauciones de seguridad básicas para reducir el riesgo de incendio, electrocución y lesiones físicas, entre ellas:

LEA DETENIDAMENTE LAS INSTRUCCIONES ANTES DE UTILIZAR LA HERRAMIENTA

CONSERVE ESTA INFORMACIÓN COMO REFERENCIA FUTURA

⚠ ¡PELIGRO! No confíe solo en el aislamiento de la herramienta para evitar descargas eléctricas. Para reducir el riesgo de electrocución, nunca utilice la herramienta cerca de cables o tendidos eléctricos (alimentación, etc.) que pudieran estar bajo tensión.

⚠ ¡PRECAUCIÓN! Utilice protección auditiva adecuada mientras usa la herramienta. En ciertas condiciones de uso y en función del tiempo de exposición, el ruido generado por este producto podría dañar su capacidad auditiva.

FORMACIÓN

- Lea atentamente las instrucciones. > Familiarícese con los mandos, así como con la manera correcta de utilizar el aparato.
- Nunca permita que utilicen la herramienta las personas que no estén familiarizadas con estas instrucciones ni los niños. En algunos casos, es posible que la legislación local estipule una edad mínima para poder utilizar este producto.
- Recuerde que el operario o usuario de la herramienta será responsable de cualquier accidente o peligro para otras personas o bienes.

PREPARACIÓN

- Nunca utilice este producto cuando haya otras personas cerca, especialmente niños o animales domésticos.
- Utilice siempre protección ocular y calzado robusto cuando utilice este producto.
- La distancia entre la máquina y otras personas debe ser al menos 15 m.

FUNCIONAMIENTO

- Utilice la desbrozadora solo a plena luz del día o cuando haya una iluminación artificial adecuada.
- Nunca utilice la desbrozadora con los sistemas de protección dañados o sin los dispositivos de seguridad instalados.
- No ponga en marcha el motor hasta haberse asegurado de tener las manos y los pies lo suficientemente apartados de los elementos de corte.
- Desenchufe la desbrozadora siempre de la alimentación eléctrica (por ejemplo, retire el acumulador).
 - siempre que deje la desbrozadora sin vigilancia;
 - antes de eliminar cualquier obstrucción;
 - antes de comprobar, limpiar o llevar a cabo cualquier operación en la desbrozadora;
 - después de golpear un objeto extraño;
 - en cuanto se observen vibraciones anormales en la desbrozadora.
- Extreme las precauciones para evitar sufrir lesiones en los pies y las manos debido a la acción de los elementos de corte.
- Asegúrese siempre de que las rejillas de ventilación están libres de residuos y acumulaciones de suciedad.

MANTENIMIENTO Y ALMACENAMIENTO

- Desenchufe la desbrozadora de la alimentación eléctrica (por ejemplo, retire el acumulador) antes de realizar trabajos de mantenimiento o limpieza.
- Utilice únicamente piezas de repuesto y accesorios recomendados por el fabricante.
- Realice regularmente el mantenimiento y la inspección de la desbrozadora. La desbrozadora solo debe repararla a un especialista cualificado.
- Cuando no la utilice, guarde la desbrozadora fuera del alcance de niños.

ADVERTENCIAS DE SEGURIDAD COMPLEMENTARIAS

- **Mantenga alejados a los niños** - Todas las personas ajenas a la tarea deberán mantenerse a una distancia mínima de 15 metros de la zona de trabajo.
- **Evite los entornos peligrosos** - no use aparatos en pendientes mojadas o húmedas.
- **Apague siempre la desbrozadora o quite el acumulador cuando vaya a dejarla desatendida.**
- **No la utilice bajo la lluvia.**
- **Utilice ropa adecuada** - No lleve ropa holgada, joyas, pantalones cortos ni sandalias, y no vaya descalzo. Existe el peligro de que pudieran quedar atrapadas en las partes móviles de la herramienta. Lleve siempre pantalones largos y resistentes y prendas de manga larga. Se recomienda utilizar de guantes de goma y calzado robusto cuando trabaje al aire libre. Sujete el pelo largo de forma segura por encima de los hombros.
- **Utilice gafas de seguridad** - Lleve siempre una máscara facial o una máscara antipolvo si el trabajo genera polvo.
- **Use siempre la herramienta correcta** - No utilice la herramienta para ninguna otra tarea que no sea la prevista.
- **No fuerce la desbrozadora** - Funcionará mejor y con menor probabilidad de riesgo de lesiones a la velocidad para la que ha sido diseñada.
- **No se estire demasiado para alcanzar lugares de difícil acceso** - Mantenga en todo momento un buen equilibrio y los pies firmemente apoyados en el suelo.
- **Manténgase alerta** - Preste atención a lo que hace. Utilice el sentido común. No use la desbrozadora si está cansado.
- **No utilice la desbrozadora si se encuentra bajo los efectos de alcohol o fármacos.**
- **Mantenga los dispositivos de protección en su lugar y en buen estado de funcionamiento.**
- **Mantenga las manos y los pies alejados de la zona de corte.**
- **Guarde la desbrozadora en interiores** - Cuando no se utilice, la desbrozadora debe almacenarse en un espacio interior, seco y en un lugar alto o cerrado con llave, con el acumulador quitado y fuera del alcance de los niños.
- **Realice con cuidado el mantenimiento de la desbrozadora** - Mantenga limpio el dispositivo de corte para obtener un mejor rendimiento y reducir el riesgo de lesiones. Siga las instrucciones para cambiar accesorios. Mantenga los mangos secos, limpios y libres de aceite y grasa.

ES

- **Compruebe si hay piezas dañadas** - Antes de seguir usando la desbrozadora, deberá comprobarse meticulosamente el dispositivo de protección o cualquier otra pieza que esté dañada, para determinar si se encuentra en perfectas condiciones de funcionamiento y si cumplen la función prevista. Compruebe la alineación de las piezas móviles, la unión de las piezas móviles, la rotura de piezas, el montaje y cualquier otra condición que pudiera afectar al funcionamiento. A menos que se indique lo contrario en este manual, si una protección u otra pieza está dañada, deberá repararla o sustituirla un servicio técnico autorizado.
- **Asegúrese de que todos los elementos de sujeción estén en su lugar de forma segura. Compruebe que el escudo del elemento de corte esté instalado correctamente en la posición recomendada por el fabricante.**
- **Antes de cada uso, despeje la zona de corte.** Quite todos los objetos como piedras, vidrios rotos, clavos, alambres, cables o cuerdas, ya que podrían salir despedidos o enredarse en el elemento de corte. Mantenga a los niños, las mascotas y otras personas fuera de la zona de trabajo. Mantenga a todos los niños, las mascotas y otras personas alejadas como mínimo un radio de 15 m (50 pies); fuera de la zona de 15 m (50 pies) sigue existiendo riesgo de lesiones provocadas por objetos lanzados. Se recomienda que cualquier persona presente en la zona de trabajo utilice protección ocular.
- **Antes de usar la desbrozadora y después de cualquier golpe, compruebe si hay signos de desgaste o daños y repárelos si es necesario.**
- **Sujete siempre la desbrozadora firmemente por sus empuñaduras con ambas manos mientras la utiliza. Rodee las empuñaduras con los dedos y los pulgares.**
- **Evite el arranque accidental de la herramienta** - No lleve la desbrozadora con el dedo en el gatillo.
- **No utilice la desbrozadora en entornos explosivos o gaseosos.** Los motores de estas herramientas suelen generar chispas que podrían inflamar los vapores.
- **Daños en la desbrozadora** - Si golpea un objeto extraño con la desbrozadora o si se enreda, pare la herramienta inmediatamente, quite el acumulador de la desbrozadora, compruebe si se ha dañado y, dado el caso, llévela a reparar antes de seguir usándola. No utilice la herramienta si la protección o el dispositivo de corte están rotos.
- **Si se observan vibraciones anormales en la herramienta, apague el motor, quite el acumulador de la desbrozadora e investigue inmediatamente la causa.** Las vibraciones suelen indicar alguna anomalía. Un elemento de corte suelto podría provocar vibraciones, agrietarse, romperse o salir despedido de la desbrozadora, pudiendo causar lesiones graves o incluso mortales. Asegúrese de que el elemento de corte está correctamente instalado y bien sujeto. Si el elemento de corte se suelta tras haberlo fijado en su sitio, sustitúyalo inmediatamente. Nunca utilice una desbrozadora con un elemento de corte suelto.
- **Sustituya inmediatamente cualquier elemento de corte que esté agrietado, dañado o desgastado, incluso si el daño observado parece limitarse a grietas superficiales.** Un elemento de corte en esas condiciones podría romperse en pedazos al funcionar a alta velocidad y provocar lesiones graves o incluso mortales.
- **Para reducir el riesgo de lesiones, nunca utilice la herramienta subido a una escalera ni a otra base insegura. Nunca eleve el accesorio de corte por encima de su cintura.**
- **No utilice nunca otros hilos en lugar de los hilos de corte de nailon. Los hilos de alambre podrían romperse y salir despedidos a alta velocidad hacia el usuario u otras personas.**
- **Mantenga en todo momento un buen equilibrio y los pies firmemente apoyados en el suelo.** No se estire demasiado. Mantenga el elemento de corte por debajo del nivel de la cintura. Mantenga todas las partes del cuerpo apartadas del elemento de corte giratorio.
- **Compruebe el elemento de corte con frecuencia mientras utiliza la herramienta o inmediatamente si observa cualquier cambio notable en la eficacia de corte.**
- **Utilice solo hilo de corte de polímero y accesorios de corte autorizados por EGO. Use hilo de corte y cuchillas diseñados para el uso con esta desbrozadora. Algunos elementos no autorizados podrían ser muy peligrosos o dañar las herramientas.**
- **Pare el motor y el elemento de corte si alguien se le acerca.**

- **Advierta al usuario del peligro de contragolpe de la cuchilla (solo cuando se usa la cuchilla de 3 dientes).**
 - Puede producirse contragolpe de las cuchillas cuando la cuchilla giratoria entra en contacto con un objeto que no corta inmediatamente.
 - El contragolpe de las cuchillas puede ser lo bastante violento para provocar que el aparato y/o el usuario salgan impulsados en cualquier dirección, con la posibilidad de perder el control de la herramienta.
 - El contragolpe de las cuchillas se puede producir sin previo aviso si la cuchilla se queda trabada, se para o se engancha.
 - Es más probable que se produzca contragolpe de las cuchillas en zonas en las que resulta difícil ver el material que se está cortando.
- **No instale ninguna cuchilla a una unidad sin colocar correctamente todas las piezas necesarias. Si no se utilizan las piezas adecuadas, la cuchilla podría salir despedida y provocar lesiones graves al usuario o a otras personas. Deseche las cuchillas que estén dobladas, deformadas, agrietadas, rotas o dañadas de cualquier otro modo. Utilice una cuchilla afilada. Una cuchilla embotada tiene más probabilidades de trabarse y de sufrir contragolpes (solo cuando se usa la cuchilla de 3 dientes).**
- **El acumulador deberá eliminarse de manera segura.**
- **Una cuchilla/hilo que se mueve en inercia puede provocar lesiones mientras sigue girando tras haber parado el motor o soltado el gatillo. Mantenga un control adecuado hasta que la cuchilla/hilo haya dejado de girar completamente.**
- **No recargue el acumulador bajo la lluvia ni en entornos excesivamente húmedos.**
- **Utilice únicamente los modelos de cargadores y acumuladores de EGO indicados a continuación:**

| ACUMULADOR | CARGADOR |
|---|--------------------|
| BA1120E, BA1400, BA2240E, BA2800, BA3360, BA4200, BAX1300 | CH2100E CH5500E |

- **Deberá retirarse el acumulador de la herramienta antes de proceder a su eliminación.**
- **No elimine el acumulador arrojándolo al fuego.** Sus celdas podrían explotar. Consulte la normativa local referente a los procedimientos de eliminación especiales.
- **No abra la batería ni la dañe.** El electrolito que podría liberarse es corrosivo y podría provocar lesiones oculares o cutáneas. Además, podría ser tóxico si se ingiere.
- **Tome las precauciones adecuadas al manipular los acumuladores a fin de no provocar cortocircuitos con materiales conductores, como anillos, pulseras y llaves.** El acumulador o el material conductor podría sobrecalentarse y provocar quemaduras.
- **Piezas de recambio** - Cuando repare el aparato, use solo piezas de recambio idénticas de EGO. El uso de accesorios o piezas diferentes a los recomendados en este manual aumentará el riesgo de sufrir lesiones físicas.
- **Las herramientas que funcionan a batería no requieren enchufarse en una toma de corriente. Por lo tanto, siempre están listas para funcionar.** Sea consciente de los posibles peligros, incluso cuando la herramienta no está funcionando. Preste especial atención al efectuar reparaciones u operaciones de mantenimiento en la herramienta.
- **Quite o desconecte el acumulador antes de realizar el mantenimiento y limpieza o de retirar material de la desbrozadora.**
- **No limpie la herramienta utilizando una manguera.** Evite que penetre agua en el motor y en las conexiones eléctricas.
- **Si se produce alguna situación que no esté incluida en este manual, actúe con cuidado y sentido común. Póngase en contacto con el departamento de atención al cliente de EGO para solicitar ayuda.**

CONSERVE ESTAS INSTRUCCIONES EN UN LUGAR SEGURO!

ESPECIFICACIONES

| | | | |
|---|------------------------------------|---|---|
| Elemento de corte | Cabezal del cortabordes | Cuchilla metálica de 3 dientes | |
| Tensión | 56 V | 56 V | |
| Velocidad sin carga | 4500-6000/min | 4500-6000/min | |
| Tipo de hilo de corte | Hilo retorcido de nailon de 2,4 mm | / | |
| Cuchilla | / | ABB1203 | |
| Anchura de corte | 38 cm | 30 cm | |
| Peso (Sin acumulador) | 4,35 kg | 4,64 kg | |
| Nivel de potencia acústica ponderado (L_{WA}) | 94,80 dB(A) K=1,01 dB(A) | 94,04 dB(A) K=1,71 dB(A) | |
| Nivel de presión acústica medido en la posición del usuario (L_{pA}) | 80,2 dB(A) K=2,5 dB(A) | 80,0 dB(A); K=4,1 dB(A) | |
| Nivel de potencia acústica garantizado L_{WA} (medido según 2000/14/CE) | 96 dB(A) | 96 dB(A) | |
| Evaluación de la vibración a_h | Mango izquierdo | 2,28 m/s ² K=1,5 m/s ² | 1,55 m/s ² K=1,5 m/s ² |
| | Mango derecho | 2,38 m/s ² K=1,5 m/s ² | 1,88 m/s ² K=1,5 m/s ² |

- El nivel total de vibraciones especificado ha sido medido conforme al método de prueba estándar empleado en la industria y puede utilizarse para efectuar comparaciones entre herramientas.
- Asimismo, el nivel total de vibraciones declarado podrá utilizarse para efectuar una evaluación preliminar de la exposición del usuario a los niveles de vibración generados por la herramienta.

AVISO: Las vibraciones generadas durante el uso real de la herramienta eléctrica podrán diferir del valor declarado en función de la manera en que se utilice. A modo de protección, el usuario deberá utilizar guantes y protectores auditivos en condiciones reales de uso.

LISTA DE EMBALAJE

| DENOMINACIÓN DE PIEZA | CANTIDAD |
|---------------------------------|----------|
| Desbrozadora | 1 |
| Cuchilla de 3 dientes con funda | 1 |
| Conjunto de protección | 1 |
| Tuerca | 1 |
| Brida exterior | 1 |
| Llave hexagonal | 1 |
| Llave multifunción | 1 |
| Correa doble para el hombro | 1 |
| Manual del usuario | 1 |

DESCRIPCIÓN

FAMILIARÍCESE CON LA DESBROZADORA (Fig. A)

- Palanca de limitación de la velocidad
- Palanca de desbloqueo
- Tornillo de mariposa
- Gatillo interruptor
- Manillar
- Tubo
- Hilo de corte
- Conjunto de protección
- Cabezal del cortabordes
- Tornillo de sellado
- Orificio de bloqueo del tubo
- Accesorio de protección
- Llave multifunción
- Llave hexagonal
- Cuchilla de 3 dientes
- Brida exterior
- Tuerca
- Botón de desbloqueo
- Almohadilla de protección de goma
- Seguro
- Contactos eléctricos
- Mecanismo de expulsión
- Hebilla de la correa
- Almohadilla para la cadera

⚠ ADVERTENCIA: Nunca utilice la herramienta sin la protección instalada y firmemente sujeta en su sitio. La protección debe estar siempre en la herramienta para proteger al usuario.

⚠ ADVERTENCIA: Cuando la herramienta se equipe con un cabezal cortabordes, el accesorio de la protección con la cuchilla de corte del hilo debe estar instalado sobre la protección. De lo contrario, se producirá un hilo de corte excesivamente largo y una sobrecarga del motor. No use nunca el cabezal cortabordes sin el accesorio de la protección.

CONJUNTO

⚠ ADVERTENCIA: Si alguna pieza falta o está dañada, no utilice la desbrozadora hasta haber sustituido dichas piezas. Podrían producirse lesiones graves si se usa la desbrozadora con piezas dañadas o si faltan piezas.

⚠ ADVERTENCIA: No intente modificar la desbrozadora ni fabricar accesorios no recomendados para el uso con este producto. Cualquier alteración o modificación se considerará uso indebido y podría provocar una situación peligrosa con riesgo de lesiones graves.

⚠ ADVERTENCIA: Lleve siempre guantes resistentes cuando instale o quite la protección y cuando realice el mantenimiento de la cuchilla de 3 dientes o de la cuchilla de corte del hilo. Tenga cuidado con la cuchilla de corte del hilo en el accesorio de la protección/la cuchilla de 3 dientes, y proteja sus manos para no lesionarse con ambas cuchillas.

⚠ ADVERTENCIA: Para evitar cualquier puesta en marcha accidental que pudiera causar lesiones graves, quite siempre el acumulador de la herramienta antes de instalar piezas o transportarla.

⚠ ADVERTENCIA: Nunca utilice la herramienta sin la protección y el manillar instalado y firmemente sujetos en su sitio. De lo contrario, podría sufrir lesiones graves.

MONTAJE Y AJUSTE DEL MANILLAR

La desbrozadora se guarda como se indica en la Fig. B. Afloje primero el tornillo de mariposa en la junta de unión y, a continuación, levante el manillar 180° alrededor del tubo (Fig. C), gírelo 90° en sentido antihorario para que quede mirando hacia el cabezal de impacto (Fig. D). Por último, muévelo hacia atrás y hacia delante hasta llegar a una posición de trabajo cómoda y apriete el tornillo.

AVISO: Solo se permite usar la herramienta con el manillar perpendicular al tubo.

MONTAJE DE LA PROTECCIÓN

Afloje los dos tornillos de la base del tubo y quítelos (fig. E), alinee los orificios de montaje de la guarda de protección con los orificios de instalación y, a continuación, bloquee la guarda de protección sobre la base del tubo utilizando los dos tornillos, junto con dos arandelas elásticas (fig. F).

Asegúrese de que la guarda esté fijada tal como se muestra en las fig. E y F. i se fija de forma inversa provocará una situación de peligro grave!

SUSTITUIR EL CABEZAL DEL CORTABORDES POR LA CUCHILLA DE 3 DIENTES

Familiarícese con el cabezal del cortabordes (Fig. G) y siga los pasos que se indican en las Fig. H-1 - Fig. H-4 (consulte el aparatado “Sustitución del hilo de corte”) para desmontar el cabezal del cortabordes. para montar la cuchilla, siga estos pasos:

1. Instale la unidad de la cuchilla metálica (Fig. I).
2. Quite el accesorio de la protección aflojando los tres tornillos con arandelas (Fig. J).
3. La cuchilla se suministra con una funda. Antes de instalar la cuchilla en la desbrozadora, hay que quitar la funda soltando el alambre de sujeción del gancho de la funda (Fig. K).

Fig. G-K ver abajo la descripción de las piezas:

| | | | |
|-----|--------------------------------|-----|------------------------------|
| G-1 | Brida interior | I-3 | Cubierta de la brida |
| G-2 | Cubierta de la brida | I-4 | Cuchilla de 3 dientes |
| G-3 | Montaje de la carcasa superior | I-5 | Brida exterior |
| G-4 | Arandela | I-6 | Tuerca |
| G-5 | Tuerca | I-7 | Ranura en la brida |
| G-6 | Muelle | J-1 | Cuchilla de corte del cordón |
| G-7 | Hilo de corte | J-2 | Accesorio de protección |
| G-8 | Montaje de la carcasa inferior | K-1 | Alambre de sujeción |
| I-1 | Eje del motor | K-2 | Gancho |
| I-2 | Brida interior | | |

AVISO: Para protegerse de las posibles lesiones, deberá ponerse guantes antes de manipular la cuchilla de 3 dientes.

4. Gire el eje del motor para alinear la ranura en la brida interior con el orificio de bloqueo del tubo en la caja de engranajes (Fig. L)

5. Inserte la llave hexagonal en los orificios alineados para que actúe como un estabilizador (Fig. M).

Fig. L e M, ver abajo la descripción de las piezas:

| | | | |
|-----|---|-----|---------------|
| L-1 | Caja de engranajes | L-3 | Eje del motor |
| L-2 | Orificios de bloqueo del tubo alineados | M-1 | Estabilizador |

6. Instale la cuchilla en el eje del motor, asegurándose de que la superficie de la cuchilla esté a nivel con la superficie del saliente de la brida interior. Monte la brida exterior y la tuerca (Fig. N). Apriete previamente la tuerca a mano EN SENTIDO ANTIHORARIO.

Fig. N, ver abajo la descripción de las piezas:

| | |
|-----|-----------------------|
| N-1 | Tuerca |
| N-2 | Brida exterior |
| N-3 | Cuchilla de 3 dientes |

7. Coloque la caja de engranajes contra una superficie sólida como apoyo. Sujete con una mano el tubo de la desbrozadora y, con la otra mano, la llave multifuncional para apretar la tuerca siguiendo la flecha marcada en la brida exterior (Fig. O).

USO DEL ACCESORIO DE LA PROTECCIÓN

AVISO: Cuando la desbrozadora se equipe con un cabezal cortabordes, el accesorio de la protección debe estar instalado sobre la protección.

Sujete el accesorio de la protección sobre la protección, apretando los tres tornillos con la llave hexagonal, ya que la cuchilla de corte del hilo está instalada en el accesorio de la protección. De lo contrario, podría producirse un hilo de corte excesivamente largo y una sobrecarga del motor.

UTILIZACIÓN

⚠ ADVERTENCIA: No permita que la confianza que supone el hecho de estar familiarizado con el producto dé lugar a descuidos. Recuerde que cualquier distracción de una fracción de segundo es suficiente para provocar lesiones graves.

⚠ ADVERTENCIA: Utilice siempre gafas de seguridad, así como protección auditiva. De lo contrario, los objetos despedidos por la acción de la herramienta podrían alcanzar sus ojos y provocar lesiones graves oculares o de otro tipo.

⚠ ADVERTENCIA: No utilice piezas o accesorios que no hayan sido recomendados por el fabricante de este producto. La utilización de piezas o accesorios no recomendados por el fabricante podría provocar lesiones graves.

APLICACIONES

Puede usar la desbrozadora para los fines que se indican a continuación:

- **Con la cuchilla metálica de 3 dientes:** Cortar hierbas, plantas silvestres y broza, ralea ejemplares jóvenes con un diámetro del tallo máximo de 2 cm.
- **Con el cabezal cortabordes:** Recortar hierba y malas hierbas alrededor de porches, vallas y terrazas

AVISO: La herramienta debe utilizarse únicamente para el fin previsto. Cualquier otro uso, por ejemplo el corte de setos, se considerará uso indebido.

ACOPLAR/DESACOPLAR EL ACUMULADOR

Recargue totalmente el acumulador antes de usarlo.

Para acoplarlo

Alinee la nervadura del acumulador con las ranuras de montaje, e introduzca el acumulador presionándolo hacia abajo hasta oír un “clic” (Fig. P).

Para desacoplarlo

Pulse el botón de liberación del acumulador y saque el acumulador (Fig. Q).

Fig. P, ver abajo la descripción de las piezas:

| | |
|-----|-------------------|
| P-1 | Ranura de montaje |
| P-2 | Nervadura |

MONTAR LA CORREA DOBLE PARA EL HOMBRO Y SUJETAR LA HERRAMIENTA

Colóquese en el cuerpo la correa doble para el hombro e inserte las dos piezas de la hebilla una dentro de la otra, hasta oír un “clic” (Fig. R-1). Alinee el gancho de la almohadilla para la cadera en el orificio del clip que está fijado en el tubo, y presione el tubo hacia abajo suavemente (Fig. R-2, R-3 y R-4).

Sujete el cortabordes con las dos manos, en el lado derecho de su cuerpo (Fig. S). El cabezal del cortabordes o la cuchilla deben estar paralelos al suelo y a una distancia de corte adecuada, sin que el usuario tenga que inclinarse.

Hay dos formas de soltar la desbrozadora: desabrochar la hebilla de la correa (Fig. T) o presionar el gancho de la correa y quitarla del clip del tubo (Fig. R-2).

⚠ ADVERTENCIA: En caso de emergencia, quítesela del hombro inmediatamente, sin importar cómo esté colocada la correa. Un método para quitársela rápidamente es desabrochar la hebilla (Fig. T) y quitarse las correas de los hombros con las dos manos.

⚠ ADVERTENCIA: No debe usar la correa para un solo hombro junto con la correa para ambos hombros simultáneamente.

PUESTA EN MARCHA/PARADA DE LA DESBROZADORA

Puesta en marcha

Empuje hacia abajo la palanca de desbloqueo y manténgala en dicha posición. Apriete el gatillo para arrancar (Fig. U).

Las distintas presiones en el gatillo provocarán diferentes velocidades de giro del elemento de corte. En caso necesario, ajuste la palanca de limitación de la velocidad a la velocidad máxima.

AVISO: La palanca de limitación de la velocidad también se puede preajustar para limitar el desplazamiento del gatillo.

Parada

Suelte el gatillo.

AVISO: El motor solo funcionará cuando la palanca de desbloqueo y el gatillo se presionen a la vez.

⚠ ADVERTENCIA: Asegúrese siempre de sacar el acumulador del cortabordes cuando haga pausas en el trabajo, así como una vez finalizada la tarea.

USO DE LA HERRAMIENTA

⚠ ADVERTENCIA: Utilice ropa adecuada cuando trabaje con la desbrozadora, para reducir el riesgo de lesiones. No lleve puesta ropa holgada ni joyas. Utilice protección ocular y auditiva. Lleve pantalones largos, botas y guantes resistentes. No utilice pantalones cortos, sandalias, ni vaya descalzo.

Antes de usar la herramienta, eche un vistazo a su alrededor para asegurarse de que el entorno de trabajo sea seguro y no haya otras personas, animales ni objetos sueltos. Compruebe que haya una distancia mínima de 15 m. Asegúrese de llevar protección ocular, ropa adecuada y de que tiene los pies en equilibrio.

Antes de cada uso, examine la herramienta por si hubiera piezas dañadas o desgastadas. Examine el cabezal del cortabordes, la cuchilla de 3 dientes, la protección, el accesorio de la protección, el manillar y la correa doble para el hombro. Sustituya cualquier pieza que esté agrietada, deformada, doblada o dañada de cualquier modo. Con el tiempo, el filo de la cuchilla de recorte de hilo situada en el borde del accesorio de la protección puede llegar a embotarse. Se recomienda afilarla con una lima a intervalos periódicos o sustituirla por otra nueva.

Limpie la desbrozadora después de cada uso.

USO CON EL CABEZAL DEL CORTABORDES

Ajuste de la longitud del hilo de corte

El cabezal del cortabordes permite al usuario ir extrayendo más hilo de corte del carrete sin tener que detener el motor. A medida que el hilo se deshilacha o se desgasta, se puede extraer hilo adicional golpeando levemente el botón de extracción sobre el suelo mientras se utiliza el cortabordes (Fig. V).

AVISO: La extracción del hilo de corte se hará más difícil si el hilo se queda demasiado corto.

⚠ ADVERTENCIA: No retire ni modifique el conjunto de la cuchilla de corte del hilo. Una longitud excesiva de hilo de corte hará que el motor se sobrecaliente y podría provocar lesiones graves.

Sustitución del hilo de corte

AVISO: Utilice siempre el hilo de corte de nailon recomendado, cuyo diámetro no sea mayor que 2,4 mm. Si se utiliza otro hilo de corte distinto al especificado, la desbrozadora podría calentarse excesivamente y sufrir daños.

⚠ ADVERTENCIA: Nunca utilice carretes de alambre, hilo metálico reforzado, cuerda, etc., ya que podrían romperse y sus trozos convertirse en proyectiles peligrosos.

1. Quite el acumulador.
2. En caso necesario, quite el hilo de corte que quede.
3. Gire el cartucho del carrete en la dirección indicada por la flecha, si es necesario, para alinear la línea "LOAD" del cartucho del carrete con las anillas de la base del carrete (Fig. W-1).
4. Corte 5 m de hilo e inserte el hilo en el orificio de montaje en el interior de la anilla (Fig. W-2). Empuje y tire del hilo desde el otro lado, hasta que aparezca la misma cantidad de hilo por ambos lados del carrete (Fig. W-3).
5. Presione al mismo tiempo que gira el cartucho del carrete en la dirección de la flecha, para enrollar el hilo en el carrete hasta que se vean aproximadamente 14 cm de hilo por cada lado (Fig. W-4).
6. Empuje el cartucho del carrete hacia abajo mientras tira de los hilos para hacer que el hilo avance manualmente y para comprobar el montaje correcto del cabezal del cortabordes.

Si el hilo de corte se rompe de la salida del hilo o si no se libera hilo de corte cuando se golpea el cabezal del cortabordes, realice los pasos siguientes:

1. Quite el acumulador.
2. Presione las lengüetas de liberación situadas en el cartucho del carrete y saque el cartucho del carrete tirando de él hacia fuera (Fig. H-1 y H-2).
3. Quite el hilo de corte del cartucho del carrete.
4. Sujétalo con una mano la base del carrete, agarre con la otra mano el cartucho del carrete y alinee las lengüetas del cartucho del carrete con los orificios de la base del carrete (Fig. X-1); presione con la palma de la mano y gire el cartucho del carrete hacia la izquierda y hacia la derecha, hasta que las lengüetas se bloqueen con la base del carrete (Fig. X-2).
5. Vuelva a cargar el hilo de corte.

USO CON LA CUCHILLA METÁLICA DE 3 DIENTES

⚠ ADVERTENCIA: Para cortar plantas silvestres y broza, baje la cuchilla giratoria de 3 dientes sobre el suelo para lograr un efecto de trituración. Utilice la desbrozadora como una guadaña (con un movimiento de barrido a derecha e izquierda) al nivel del suelo. Nunca utilice el elemento de corte por encima de su cintura.

⚠ ADVERTENCIA: Cuanto más levantado del suelo esté el elemento de corte, mayor será el riesgo de lesiones por el lanzamiento lateral del material cortado.

⚠ ADVERTENCIA: Cuando corte árboles jóvenes u otro material de madera hasta 2 cm de diámetro, use el lado izquierdo de la cuchilla para evitar situaciones de contragolpe de la cuchilla. No intente cortar material de madera con un diámetro más grande, ya que la cuchilla podría engancharse o sacudir hacia delante la desbrozadora. Esto podría provocar daños en la cuchilla o en la desbrozadora, o hacerle perder el control de la herramienta y provocar lesiones.

⚠ ADVERTENCIA: El uso incorrecto de una cuchilla puede hacer que se agriete, se desportille o se quiebre. Si algún pedazo sale despedido puede lesionar gravemente al usuario o a otras personas. Para reducir el riesgo de lesiones, es esencial adoptar las precauciones siguientes:

- Evite el contacto con objetos extraño duros o macizos, como piedras, rocas o trozos de metal.
- No corte nunca madera ni arbustos que tengan un diámetro mayor que 2 cm.
- Inspeccione la cuchilla a intervalos regulares cortos para detectar cualquier signo de desgaste. No siga utilizando una cuchilla dañada.

- Vuelva a afilar la cuchilla regularmente (cuando esté notablemente embotada) y llévela a que la equilibren cuando sea necesario (a un técnico de servicio cualificado).

Contragolpe de la cuchilla

Extreme las precauciones cuando utilice la cuchilla de 3 dientes con esta herramienta. El contragolpe de la cuchilla es la reacción que se puede producir cuando la cuchilla giratoria entra en contacto con algo que no puede cortar. Este contacto puede hacer que la cuchilla se pare durante un instante y produzca un “contragolpe” repentino de la unidad en la dirección contraria al objeto golpeado. Esta reacción puede ser lo bastante violenta para que el usuario pierda el control del aparato. El contragolpe de las cuchillas se puede producir sin previo aviso si la cuchilla se queda trabada, se para o se engancha. Es más probable que esto ocurra en zonas en las que resulta difícil ver el material que se está cortando. Para facilitar el corte y aumentar la seguridad, acérquese a las hierbas a cortar con la desbrozadora desde la derecha hacia la izquierda. En caso de encontrar un palo de madera o un objeto inesperado, de este modo podrá minimizar la reacción de contragolpe de la cuchilla.

MANTENIMIENTO

⚠ ADVERTENCIA: Antes de inspeccionar, limpiar o reparar la unidad, apague el motor, espere a que se detengan todas las partes móviles y quite el acumulador. El incumplimiento de estas instrucciones podría provocar lesiones graves o daños materiales.

⚠ ADVERTENCIA: Cuando efectúe reparaciones en la herramienta, utilice únicamente piezas idénticas a las originales. La utilización de otras piezas podría suponer un peligro o causar daños en el producto. Para garantizar la seguridad y fiabilidad del producto, confíe cualquier reparación que sea necesaria a personal técnico cualificado.

MANTENIMIENTO GENERAL

Evite utilizar disolventes para limpiar las piezas de plástico. La mayoría de las piezas de plástico utilizadas son susceptibles de sufrir daños si se limpian con algunos de los tipos de disolventes disponibles en el mercado. Utilice paños limpios para eliminar la suciedad y los residuos de polvo, aceite, grasa, etc.

LIMPIEZA DE LA HERRAMIENTA

- Después de cada uso de la cuchilla de 3 dientes o el cabezal del cortabordes, limpie los restos, la tierra o la hierba atascados en la cuchilla y en la protección, utilizando un cepillo suave.

AVISO: Cuando la cuchilla de corte del hilo se embote, llévela a afilar a un técnico de servicio cualificado o cámbiela por una nueva en caso necesario.

- Después de cada uso de la desbrozadora, limpie el elemento de corte con un paño húmedo y un detergente suave.
- No utilice detergentes fuertes en la carcasa de plástico ni en el mango. Ciertos aceites aromáticos, como aquellos a base de limón o resina de pino y disolventes como queroseno, podrían dañar estas piezas. La humedad también puede provocar descargas eléctricas. Utilice un paño suave y seco para eliminar cualquier resto de humedad.
- Utilice un cepillo pequeño o una aspiradora para limpiar los orificios de ventilación de la carcasa trasera.

ALMACENAMIENTO DE LA HERRAMIENTA

- Quite el acumulador de la herramienta.
- Utilice guantes resistentes para limpiar a fondo la herramienta.
- Coloque la funda sobre la cuchilla de 3 dientes para guardarla de forma segura (Fig. Y).
- Almacene la herramienta en un lugar seco y bien ventilado, ya sea cerrado o a una altura suficiente que impida que los niños puedan alcanzarla. No la guarde encima ni cerca de fertilizantes, gasolina u otros productos químicos.

Protección del medio ambiente



¡No elimine aparatos eléctricos, cargadores de baterías, acumuladores o baterías junto con los desperdicios domésticos!

Tanto la Directiva europea 2012/19/UE sobre la eliminación de aparatos eléctricos y electrónicos inservibles como la Directiva europea 2006/66/CE sobre la eliminación de baterías o acumuladores defectuosos o agotados estipulan que dichos elementos deben ser objeto de una recogida selectiva.

Si los aparatos eléctricos acabaran tirándose a vertederos o basureros, podrían desprender sustancias perjudiciales que llegarían a contaminar las capas freáticas y entrar en la cadena alimenticia, con el consecuente peligro para la salud y calidad de vida humana.

DECLARACIÓN DE CONFORMIDAD CE

Nosotros, EGO EUROPE GMBH

Wahlwiesenstrasse 1, D-71711 Steinheim an der Murr Deutschland

declaramos que el producto **DESBROZADORA CON BATERÍA DE ION DE LITIO DE 56 VOLTIOS Y MOTOR TRASERO, CON MANILLAR BC3800E** cumple los requisitos esenciales sobre salud y seguridad de las directivas siguientes:

2006/42/CE, 2014/30/UE, 2011/65/UE, 2000/14/CE

Normas y especificaciones técnicas referidas a:

EN ISO 11806-1, EN 60745-1, EN 55014-1, EN 55014-2, IEC 62321.

| | Cabezal del cortabordes | Cuchilla metálica de 3 dientes |
|---|-------------------------|--------------------------------|
| Nivel de potencia acústica ponderado: | 94,80 dB(A) | 94,04 dB(A) |
| Nivel de potencia acústica garantizado: | 96 dB(A) | 96 dB(A) |

El procedimiento de evaluación de la conformidad del Anexo VI se ha seguido conforme a la norma 2000/14/CE.

Organismo notificado: DEKRA Certification B.V. Meander 1051 / P.O. box 5185 6525 MJ ARNHEM / 6802 ED ARNHEM, Netherlands

Número del organismo notificado: 0344

Peter Melrose
Director Ejecutivo de
EGO Europe GmbH

Dong Jianxun
Director de calidad de
Chervon

* (representante autorizado de CHERVON y responsable de la documentación técnica)

01/09/2017

RESOLUCIÓN DE PROBLEMAS

ES

| PROBLEMA | CAUSA | SOLUCIÓN |
|-----------------------|---|---|
| No se pone en marcha. | <ul style="list-style-type: none"> ■ El acumulador no está correctamente insertado en la desbrozadora. ■ No hay contacto eléctrico entre la desbrozadora y el acumulador. ■ El acumulador está agotado. ■ No ha presionado simultáneamente la palanca de desbloqueo y el gatillo interruptor. | <ul style="list-style-type: none"> ■ Instale el acumulador en el conjunto de motor. ■ Quite la batería, compruebe los contactos eléctricos y vuelva a instalar el acumulador de modo que encaje en su sitio. ■ Cargue el acumulador con los cargadores EGO indicados en este manual. ■ Mantenga presionada hacia abajo la palanca de desbloqueo y apriete el gatillo interruptor para poner en marcha la desbrozadora. |
| Deja de funcionar. | <ul style="list-style-type: none"> ■ El motor se ha sobrecargado ■ Se está utilizando un hilo de corte demasiado grueso. ■ El acumulador o la desbrozadora se han sobrecalentado. ■ El acumulador se ha desconectado de la herramienta. ■ El acumulador está agotado. | <ul style="list-style-type: none"> ■ El motor se recuperará cuando se retire la carga. Para un trabajo continuo, reduzca la carga del conjunto de motor. ■ Utilice hilo de corte de nailon estándar con un diámetro no superior a 2,4 mm. ■ Espere a que el acumulador o el conjunto de motor se hayan enfriado lo suficiente para que su temperatura sea inferior a 67 °C. ■ Vuelva a instalar en su sitio el acumulador. ■ Cargue el acumulador con los cargadores EGO indicados en este manual. |

| PROBLEMA | CAUSA | SOLUCIÓN |
|---|--|--|
| <p>El hilo de corte no se extrae automáticamente del cabezal del cortabordes (solo cuando se usa el cabezal del cortabordes).</p> | <ul style="list-style-type: none"> ■ Hay una acumulación excesiva de hierba en el eje del motor o cabezal del cortabordes. ■ No queda suficiente longitud del hilo de corte en el carrete. ■ El cabezal del cortabordes está sucio. ■ El hilo de corte está enredado en el interior del carrete. ■ El hilo de corte es demasiado corto. | <ul style="list-style-type: none"> ■ Apague la herramienta, quite el acumulador y, a continuación, la hierba del eje del motor o del cabezal del cortabordes. ■ Quite el acumulador y sustituya el hilo de corte. Consulte el apartado "SUSTITUCIÓN DEL HILO DE CORTE" en este manual. ■ Quite el acumulador y limpie el carrete, su cartucho y la base. ■ Quite el acumulador, quite el hilo de corte del carrete y vuelva a enrollarlo. Consulte el apartado "SUSTITUCIÓN DEL HILO DE CORTE" en este manual. ■ Quite el acumulador y tire de los extremos del hilo de corte mientras presiona y suelta alternativamente el botón de extracción del hilo de corte. |

ES

GARANTÍA

POLITICA DE GARANTÍA EGO

Por favor visite nuestra página web egopowerplus.com para los terminos y las condiciones completas de la politica de garantía EGO.

LEIA TODAS AS INSTRUÇÕES!



LEIA O MANUAL DO UTILIZADOR

PT

⚠ Risco residual! As pessoas com dispositivos eletrônicos, como pacemakers, deverão consultar o seu médico antes de utilizarem este produto. A utilização de equipamento elétrico perto de um pacemaker pode causar interferências ou falhas no pacemaker.

⚠ AVISO: Para assegurar a segurança e bom funcionamento, todas as reparações e substituições deverão ser efetuadas por um técnico de reparação qualificado.

SÍMBOLOS DE SEGURANÇA

O objetivo dos símbolos de segurança é chamar a atenção para possíveis perigos. Os símbolos de segurança e as respetivas explicações apresentadas requerem a sua atenção e compreensão. Os avisos de segurança, só por si, não eliminam o perigo. As instruções e avisos dados não são substitutos para medidas de prevenção adequadas a acidentes.

⚠ AVISO: Certifique-se de que lê e compreende todos os avisos de segurança neste manual do utilizador, incluindo todos os símbolos de alerta de segurança, como “PERIGO”, “AVISO” e “CUIDADO” antes de usar esta ferramenta. Não seguir todas as instruções apresentadas abaixo pode resultar em choque elétrico, incêndio e/ou lesões graves.

SIGNIFICADO DOS SÍMBOLOS

⚠ SÍMBOLO DE ALERTA DE SEGURANÇA: Indica PERIGO, AVISO ou CUIDADO e pode ser usado juntamente com outros símbolos ou imagens.



⚠ AVISO: O funcionamento de qualquer ferramenta elétrica pode dar origem ao ressalto de quaisquer objetos estranhos que podem atingir os olhos, podendo dar origem a sérias lesões oculares. Antes de começar a utilizar a ferramenta elétrica, utilize sempre óculos de segurança com proteções laterais e uma proteção completa para a cara, quando necessário. Recomendamos Máscaras de Segurança com Visão Panorâmica por cima de óculos, ou óculos de segurança padrão com proteção lateral.

INSTRUÇÕES DE SEGURANÇA

Esta página retrata e descreve os símbolos de segurança que podem aparecer neste produto. Leia, compreenda e siga todas as instruções na máquina antes de tentar montar e utilizar.

| | | |
|--|---|--|
| | Alerta de segurança | Indica um potencial perigo de lesões pessoais. |
| | Leia o manual do utilizador | Para reduzir o risco de lesões, o utilizador tem de ler e compreender o manual do utilizador antes de usar este produto. |
| | Utilize proteção ocular | Use sempre óculos de segurança com proteção lateral e, se necessário, uma proteção completa do rosto, quando utilizar este produto. |
| | Utilize proteção auditiva | Use sempre proteções auditivas para proteger a sua audição. |
| | Use proteção para a cabeça | Use um chapéu de proteção aprovado para proteger a cabeça. |
| | Use luvas de proteção | Proteja as suas mãos com luvas quando manusear a lâmina ou a proteção da lâmina. As luvas resistentes e anti-derrapantes melhoram a aderência e protegem as suas mãos. |
| | Use calçado de segurança | Use calçado de segurança anti-derrapante quando usar este equipamento. |
| | Cuidado com o impulso da lâmina | Avise o operador do perigo de impulso da lâmina. |
| | Ricochete e mantenha outras pessoas afastadas | Objetos podem ressaltar e causar lesões pessoais ou danos materiais. Certifique-se de que outras pessoas e animais permanecem afastados da roçadeira durante a utilização. |

| | | |
|----------|-------------------------------|--|
| | Mantenha terceiros afastados | Certifique-se de que outras pessoas e animais permaneçam a, pelo menos, 15m do aparador de linha durante a utilização. |
| | Sem lâmina redonda | Não instale lâminas de corte redondas. |
| | Não exponha a unidade à chuva | Não use este produto à chuva nem o deixe no exterior quando chover. |
| | CE | Este produto encontra-se em conformidade com as diretivas CE aplicáveis. |
| | REEE | Os produtos elétricos residuais não deverão ser eliminados juntamente com o lixo doméstico comum. Entregue-os num centro de reciclagem autorizado. |
| | Ruído | Nível de potência do som garantido. Emissão de ruído para o ambiente de acordo com a diretiva da Comunidade Europeia. |
| V | Volts | Tensão |
| | Corrente direta | Tipo ou característica da corrente |
| n_0 | Velocidade sem carga | Velocidade de rotação, sem carga |
| ... /min | Por minuto | Rotações por minuto |

INSTRUÇÕES IMPORTANTES DE SEGURANÇA

⚠ AVISO! Quando utilizar este produto, devem adotar-se sempre medidas de segurança básicas para reduzir o risco de incêndio, de choques elétricos e de lesões pessoais, incluindo o seguinte:

LEIA COM ATENÇÃO ANTES DA UTILIZAÇÃO

GUARDE PARA FUTURAS REFERÊNCIAS

⚠ PERIGO! Não confie apenas no isolamento da ferramenta contra choques elétricos. Para reduzir o risco de eletrocussão, nunca utilize o aparelho perto de quaisquer fios ou cabos (eletricidade, etc.) que possam transportar corrente elétrica.

⚠ CUIDADO! Utilize equipamento de proteção auditiva adequada durante a utilização. Nalgumas condições e durações de utilização, o ruído proveniente deste produto pode contribuir para a perda de audição.

PT

TREINO

- Leia estas instruções com atenção. Familiarize-se com os controlos e utilização adequada deste equipamento.
- Nunca permita que uma pessoa que não esteja familiarizada ou crianças com estas instruções utilizem o aparelho. Os regulamentos locais podem restringir a idade do utilizador.
- Tenha em mente que o operador ou utilizador é o responsável pelos acidentes ou perigos causados a outras pessoas ou à sua propriedade.

PREPARAÇÃO

- Nunca utilize o produto com pessoas, especialmente crianças, ou animais por perto.
- Use sempre proteção ocular e calçado resistente enquanto utiliza o produto.
- A distância entre a máquina e terceiros deve ser de, pelo menos, 15 m.

FUNCIONAMENTO

- Utilize a roçadeira apenas com luz natural ou com uma boa luz artificial.
- Nunca utilize a roçadeira com proteções danificadas ou sem as proteções montadas.
- Ligue o motor apenas quando as mãos e pés estiverem afastados de meios de corte.
- Desligue sempre a roçadeira da alimentação (retire a bateria).
 - Sempre que deixar a roçadeira sem supervisão;
 - Antes de limpar um bloqueio;
 - Antes de verificar, limpar ou trabalhar na roçadeira;
 - Após bater num objeto estranho;
 - Sempre que a roçadeira começar a vibrar anormalmente.
- Tenha cuidado para não se magoar nos pés nem nas mãos durante o corte.

- Certifique-se sempre de que as aberturas de ventilação são mantidas isentas de resíduos.

MANUTENÇÃO E ARRUMAÇÃO

- Desligue a roçadeira da alimentação (retire a bateria) antes de efetuar quaisquer trabalhos de manutenção ou de limpeza.
- Utilize apenas as peças e acessórios de substituição recomendados pelo fabricante.
- Inspeção e proceda à manutenção regular da roçadeira. A máquina só pode ser reparada por um reparador autorizado.
- Quando não usar a roçadeira, guarde-a fora do alcance de crianças.

AVISOS ADICIONAIS DE SEGURANÇA

- **Mantenha as crianças afastadas.** Todas as pessoas deverão ser mantidas a, pelo menos, 30 metros da área de trabalho.
- **Evite ambientes perigosos.** Não utilize aparelhos em locais húmidos ou molhados.
- **Desligue sempre a roçadeira ou retire a bateria sempre que deixar a ferramenta sem supervisão.**
- **Não utilize à chuva.**
- **Vista-se adequadamente.** Não use roupa folgada, jóias, calções, sandálias nem ande descalço. Esta pode ficar presa nas peças em movimento. Use sempre calças compridas e resistentes, e camisolas de manga comprida. A utilização de luvas de borracha e calçado resistente é recomendada para trabalhos no exterior. Use uma cobertura protetora para o cabelo, para o manter acima do nível dos ombros.
- **Utilize óculos de segurança.** Utilize sempre uma máscara ou máscara de pó se o funcionamento for poeirento.
- **Utilize a ferramenta correta.** Não utilize a ferramenta para outros trabalhos para além daqueles para que foi criada.
- **Não force a roçadeira.** Esta fará um trabalho melhor e com menos probabilidades de lesões se for usada à taxa para que foi criada.
- **Não se estique.** Mantenha sempre a base e o equilíbrio adequados.
- **Mantenha-se alerta** e atento ao que está a fazer. Use o senso comum. Não utilize a roçadeira quando estiver cansado.
- **Não utilize a roçadeira quando estiver sob a influência de álcool ou drogas.**

- **Mantenha as proteções no lugar e em bom estado de funcionamento.**
- **Mantenha as mãos e pés afastados da área de corte.**
- **Guarde a roçadeira no interior.** Quando não utilizar a roçadeira, deverá guardá-la no interior num local seco, alto ou trancado, com a bateria retirada e fora do alcance das crianças.
- **Mantenha a roçadeira em bom estado.** Mantenha o acessório de corte limpo para melhor desempenho e para reduzir o risco de lesões. Siga as instruções quanto à mudança de acessórios. Mantenha as pegas secas, limpas e sem óleo ou gordura.
- **Verifique se existem peças danificadas.** Antes de continuar a utilizar a roçadeira, uma proteção ou outra peça que esteja danificada deve ser cuidadosamente verificada, para determinar se irá funcionar adequadamente e desempenhar a sua suposta função. Verifique o alinhamento de peças móveis, ligação de peças móveis, fragmentação de peças, montagem e qualquer outra condição que possa afetar o seu funcionamento. Um protetor ou qualquer outra peça que esteja danificada deverá ser reparada adequadamente ou substituída por um centro de reparações autorizado, exceto se for indicado de outro modo neste manual de instruções.
- **Certifique-se de que todos os fixadores estão fixados no respetivo lugar. Certifique-se de que a proteção do acessório de corte está devidamente fixada e na posição recomendada pelo fabricante.**
- **Limpe a área a cortar antes de cada utilização.** Retire todos os objetos, como pedras, vidro partido, pregos, arames ou fios que possam ser atirados ou ficar presos no acessório de corte. Afaste as crianças, terceiros e animais. No mínimo, mantenha as crianças, outras pessoas e animais a um raio de 15 metros. Fora desta zona, poderá continuar a haver um risco para as pessoas, devido aos objetos que possam ser atirados. As outras pessoas deverão ser encorajadas a usar proteção ocular.
- **Antes de utilizar a roçadeira e após qualquer impacto, verifique se existem sinais de desgaste ou danos e proceda, se necessário, à sua reparação.**
- **Segure sempre a roçadeira firmemente com as duas mãos nas pegas durante a utilização. Embrulhe os dedos em redor das pegas.**
- **Evite um arranque acidental.** Nunca transporte a roçadeira com o dedo no gatilho.
- **Não utilize a roçadeira em atmosferas explosivas ou com produtos petrolíferos.** Os motores nestes aparelhos costumam criar faíscas e estas podem incendiar os vapores.

- **Danos na roçadeira:** Se bater num objeto estranho com a roçadeira ou se esta ficar emaranhada, pare imediatamente o aparelho, retire a bateria, verifique se existem danos e leve o aparelho para ser reparado antes de tentar voltar a utilizá-lo. Não utilize com uma proteção ou acessório de corte partido.
- **Se o aparelho começar a vibrar anormalmente, desligue o motor, retire a bateria da roçadeira e verifique imediatamente as causas.** A vibração é habitualmente um aviso de problemas. Uma unidade de corte solta pode vibrar, rachar, partir ou soltar-se da roçadeira, o que pode dar origem a lesões sérias ou fatais. Certifique-se de que o acessório de corte é devidamente instalado e bem apertado. Se a unidade de corte se soltar após fixá-la, substitua-a imediatamente. Nunca utilize uma roçadeira com um acessório de corte solto.
- **Substitua imediatamente uma unidade de corte rachada, danificada ou gasta, mesmo que o dano esteja limitado a rachas superficiais.** Tais unidades podem despedaçar-se a alta velocidade e causar lesões sérias ou até mesmo fatais.
- **Para reduzir o risco de lesões, nunca trabalhe em cima de uma escada ou noutro suporte inseguro. Nunca segure a unidade de corte acima da altura da cintura.**
- **Nunca use outras linhas em vez da linha de corte de nylon. Podem soltar-se pedaços de arame que serão atirados a alta velocidade na direção do operador ou de terceiros.**
- **Mantenha sempre o equilíbrio.** Não se estique. Mantenha a unidade de corte abaixo do nível da cintura. Mantenha todas as partes do corpo afastadas da unidade de corte rotativa.
- **Verifique regularmente a unidade de corte durante a utilização ou imediatamente após reparar nalguma alteração no comportamento de corte.**
- **Utilize apenas linhas de polímero e lâminas para roçadeiras autorizadas pela EGO e linhas e lâminas para roçadeiras criadas para serem usadas com este aparelho. Algumas unidades não autorizadas podem ser extremamente perigosas e/ou podem danificar a ferramenta.**
- **Se alguém se aproximar, desligue o motor e a unidade de corte.**
- **Avisar o operador do perigo de impulso da lâmina (usar apenas com lâminas de 3 dentes).**
 - O impulso da lâmina pode ocorrer quando a lâmina giratória entrar em contacto com um objeto que não corte imediatamente.
 - O impulso da lâmina pode ser suficientemente violento para fazer com que a unidade e/ou operador seja ressaltado em qualquer direção e possivelmente perca o controlo da unidade.
 - O impulso da lâmina pode ocorrer sem aviso, caso a lâmina bata, fique presa ou limitada.
- O impulso é mais provável em áreas onde seja difícil ver o material a ser cortado.
- **Não fixe qualquer lâmina numa unidade sem a instalação adequada de todas as peças necessárias. Não usar as peças adequadas pode fazer com que a lâmina se solte e lesione seriamente o operador e/ou outras pessoas.** Elimine as lâminas dobradas, torcidas, rachadas, partidas ou danificadas de algum modo. Use uma lâmina afiada. Uma lâmina que não esteja afiada tem mais probabilidades de ficar presa e sofrer um impulso (use apenas lâminas com 3 dentes).
- **A bateria tem de ser eliminada de modo seguro.**
- **Uma lâmina/linha solta pode causar lesões enquanto continua a girar após o motor parar ou libertar o gatilho. Mantenha o controlo adequado até que a lâmina/linha pare de rodar por completo.**
- **Não carregue a bateria à chuva ou em condições húmidas.**
- Utilize apenas com as baterias e carregadores da EGO listados em baixo:

| BATERIA | CARREGADOR |
|---|--------------------|
| BA1120E, BA1400, BA2240E, BA2800, BA3360, BA4200, BAX1300 | CH2100E CH5500E |
- **A bateria tem de ser retirada do equipamento antes de ser eliminada.**
- **Não atire a bateria para o fogo.** As células podem explodir. Verifique as normas locais quanto a possíveis instruções especiais de eliminação.
- **Não abra nem altere a bateria.** O eletrólito libertado é corrosivo e pode causar lesões nos olhos ou pele. Pode ser tóxico se engolido.
- **Tenha muito cuidado ao manusear as baterias, de modo a não as colocar em curto-circuito com materiais condutores, como anéis, pulseiras e chaves.** A bateria ou o condutor podem sobreaquecer e causar queimaduras.
- **Peças de substituição** - Quando fizer reparações, utilize apenas peças sobresselentes idênticas da EGO. A utilização de outros acessórios pode aumentar o risco de lesões.
- **As ferramentas que funcionam a bateria não têm de ser ligadas a uma tomada. Assim, estão sempre em estado de funcionamento. Tenha cuidado com possíveis perigos quando o aparelho não estiver a funcionar. Tenha cuidado quando efetuar a manutenção ou reparações.**
- **Retire ou desligue a bateria antes de reparar, limpar ou retirar material da roçadeira.**

- Não lave com uma mangueira. Evite que entre água no motor e nas ligações elétricas.
- Se ocorrerem situações que não sejam abrangidas por este manual, tenha cuidado e faça uso do bom senso. Contacte o centro de reparação da EGO para obter assistência.

GUARDE ESTAS INSTRUÇÕES!

PT ESPECIFICAÇÕES

| | | | |
|---|----------------------------------|---|---|
| Unidade de corte | Cabeça de aparar | Lâmina de metal de 3 dentes | |
| Voltagem | 56 V | 56 V | |
| Velocidade sem carga | 4500-6000/min | 4500-6000/min | |
| Tipo de linha de corte | Linha torcida de nylon de 2,4 mm | / | |
| Lâmina de corte | / | ABB1203 | |
| Largura de corte | 38 cm | 30 cm | |
| Peso (Sem bateria) | 4,35 kg | 4,64 kg | |
| Nível de potência do som medido L_{WA} | 94,80 dB(A) K=1,01 dB(A) | 94,04 dB(A) K=1,71 dB(A) | |
| Nível da pressão do som na posição do operador L_{PA} | 80,2 dB(A) K=2,5 dB(A) | 80,0 dB(A) K=4,1 dB(A) | |
| Nível de potência acústica garantido L_{WA} (medido de acordo com 2000/14/CE) | 96 dB(A) | 96 dB(A) | |
| Avaliação da vibração a_n | Pega esquerda | 2,28 m/s ² K=1,5 m/s ² | 1,55 m/s ² K=1,5 m/s ² |
| | Pega direita | 2,38 m/s ² K=1,5 m/s ² | 1,88 m/s ² K=1,5 m/s ² |

- O valor total declarado da vibração foi medido de acordo com um método de teste padrão e pode ser usado para comparar duas ferramentas;
- O valor total declarado da vibração também pode ser usado numa avaliação preliminar da exposição.

AVISO: A emissão de vibrações durante a utilização da ferramenta elétrica pode diferir do valor declarado em que a ferramenta é usada. De modo a proteger o utilizador, este deverá utilizar luvas e proteção auditiva nas condições atuais de utilização.

LISTA DE PEÇAS

| NOME DA PEÇA | QUANTIDADE |
|----------------------------------|------------|
| Roçadeira | 1 |
| Lâmina de 3 dentes com cobertura | 1 |
| Conjunto da proteção | 1 |
| Porca | 1 |
| Rebordo exterior | 1 |
| Chave sextavada | 1 |
| Chave multifunções | 1 |
| Alça dupla para os ombros | 1 |
| Manual do Utilizador | 1 |

DESCRIÇÃO

CONHEÇA A SUA ROÇADEIRA (Imagem A)

1. Alavanca de limite de velocidade
2. Alavanca de desbloqueio
3. Parafuso de asas
4. Gatilho
5. Guiador
6. Eixo
7. Linha de corte
8. Conjunto da proteção
9. Cabeça de aparar
10. Parafuso vedante
11. Orifício de fixação do eixo
12. Acessório de proteção
13. Chave multifunções
14. Chave sextavada
15. Lâmina de 3 dentes
16. Rebordo exterior
17. Porca
18. Botão de libertação
19. Proteção de borracha
20. Aba
21. Contactos elétricos
22. Mecanismo de ejeção
23. Fivela da alça
24. Almofada da anca

AVISO: Nunca utilize o aparelho sem a proteção bem colocada. A proteção tem de estar sempre no aparelho para proteger o utilizador.

AVISO: Quando a ferramenta estiver equipada com uma cabeça de aparar, deverá montar o acessório de proteção com lâmina de corte da linha na proteção. Não fazê-lo pode dar origem a uma linha de corte demasiado comprida e sobrecarga do motor. Nunca use a cabeça de aparar sem a proteção.

MONTAR

AVISO: Se quaisquer peças estiverem danificadas ou em falta, não utilize a roçadeira até as peças serem substituídas. Utilizar a roçadeira com peças danificadas ou em falta pode dar origem a lesões pessoais sérias.

AVISO: Não tente modificar a roçadeira nem criar acessórios que não sejam recomendados para utilizar com o produto. Qualquer alteração ou modificação é considerada uma má utilização e pode dar origem a perigos, que podem levar a lesões pessoais sérias.

AVISO: Use sempre luvas resistentes quando instalar ou retirar a proteção ou fazer qualquer manutenção na lâmina de 3 dentes/lâmina da linha de corte. Tenha cuidado com a lâmina de corte da linha na proteção / lâmina de 3 dentes, e proteja as suas mãos de lesões devido à lâmina.

AVISO: Para evitar um arranque acidental que possa causar lesões pessoais sérias, retire sempre a bateria da ferramenta durante a montagem das peças ou transporte da máquina.

AVISO: Nunca utilize a ferramenta sem a proteção e guiador bem colocados. O não seguimento das instruções pode dar origem a lesões pessoais sérias.

MONTAR E AJUSTAR O GUIADOR

A roçadeira é guardada conforme apresentado na Imagem B. Primeiro, desaperte o parafuso de asas da junta de ligação e levante o guiador 180° em redor do eixo (Imagem C), rode 90° no sentido inverso ao dos ponteiros do relógio para ficar virado para a cabeça de choque (Imagem D). Por fim, mova para a frente e para trás para obter uma posição de trabalho confortável e aperte o parafuso.

AVISO: Só é permitido operar a máquina com o guiador perpendicular ao eixo.

MONTAR A PROTEÇÃO

Solte e retire os dois parafusos da base do eixo (Fig. E), alinhe os orifícios de montagem da proteção com os orifícios de montagem e, depois, bloqueie a proteção na base do eixo com dois parafusos, juntamente com duas anilhas de pressão (Fig. F).

Certifique-se de que a proteção está fixada de acordo com a Fig. E e F, qualquer fixação inversa irá provocar um grande perigo!

SUBSTITUA A CABEÇA DE APARAR COM A LÂMINA DE 3 DENTES

Conheça a cabeça de aparar e siga os passos apresentados na Imagem H-1 à Imagem H-4 (consulte a secção “substituição da linha”) para desmontar a cabeça de aparar (Imagem G). Para montar a lâmina, siga os passos apresentados em baixo:

1. Monte a lâmina de metal (Imagem I).
2. Retire a proteção, desapertando os três parafusos com anilha (Imagem J).
3. A lâmina é enviada com uma proteção. Antes de montar a lâmina na roçadeira, a proteção deverá ser retirada, libertando o fio da braçadeira do gancho na proteção (Imagem K).

Imagem. G-K descrição das peças apresentada abaixo:

| | | | |
|-----|--------------------------------|-----|--------------------------|
| G-1 | Rebordo interior | I-3 | Cobertura do rebordo |
| G-2 | Cobertura do rebordo | I-4 | Lamina de 3 dentes |
| G-3 | Conjunto da estrutura superior | I-5 | Rebordo exterior |
| G-4 | Anilha | I-6 | Porca |
| G-5 | Porca | I-7 | Ranhura no rebordo |
| G-6 | Mola | J-1 | Lâmina de corte da linha |
| G-7 | Linha de corte | J-2 | Acessório de proteção |
| G-8 | Conjunto da estrutura inferior | K-1 | Fio da braçadeira |
| I-1 | Eixo do motor | K-2 | Gancho |
| I-2 | Rebordo interior | | |

AVISO: Para se proteger de lesões, tem de usar luvas antes de qualquer operação com a lâmina de 3 dentes.

4. Rode o eixo do motor para alinhar a ranhura no rebordo interior com o orifício de fixação do eixo na estrutura do carroto (Imagem L).

5. Insira a chave sextavada nos orifícios alinhados para agir como estabilizador (Imagem M).

Imagem.L e M descrição das peças apresentada abaixo:

| | | | |
|-----|---|-----|---------------|
| L-1 | Estrutura do carreto | L-3 | Eixo do motor |
| L-1 | Orifícios alinhados de bloqueio do eixo | M-1 | Estabilizador |

PT

6. Monte a lâmina no eixo do motor, certificando-se de que a superfície da lâmina fica nivelada com a superfície da saliência do rebordo interior. Monte o rebordo exterior e a porca (Imagem N). Aperte à mão a porca no SENTIDO INVERSO AO DOS PONTEIROS DO RELÓGIO.

Imagem. N descrição das peças apresentada abaixo:

| | |
|-----|--------------------|
| N-1 | Porca |
| N-2 | Rebordo exterior |
| N-3 | Lâmina de 3 dentes |

7. Coloque a estrutura do carreto contra uma superfície sólida para a suportar. Com uma mão, segure o eixo da roçadeira e, com a outra mão, segure a chave multifunções para apertar a porca na direção da seta assinalada no rebordo exterior (Imagem O).

UTILIZAÇÃO DO ACESSÓRIO DE PROTEÇÃO

AVISO: Quando a roçadeira estiver equipada com uma cabeça de aparar, deverá montar o acessório de proteção na proteção.

Fixe o acessório de proteção na proteção apertando os três parafusos com a chave sextavada, devido à lâmina de corte da linha estar equipada no acessório de proteção. Não fazê-lo pode dar origem a uma linha de corte demasiado comprida e sobrecarga do motor.

FUNCIONAMENTO

AVISO: Não deixe que a sua familiaridade com o produto o torne descuidado. Lembre-se de que uma fração de segundo de desatenção é o suficiente para sofrer uma lesão séria.

AVISO: Utilize sempre proteção ocular, juntamente com proteção auricular. Se não o fizer, pode apanhar com objetos nos olhos, dando origem a possíveis lesões sérias.

AVISO: Não utilize quaisquer acessórios para além dos recomendados pelo fabricante deste produto. A utilização de acessórios que não sejam recomendados pode dar origem a lesões pessoais sérias.

APLICAÇÕES

Pode utilizar a roçadeira com os intuitos listados em baixo:

- **Com a lâmina de metal de 3 dentes:** Cortar erva, ervas daninhas, arbustos selvagens e mato, desbastar árvores jovens com um diâmetro máximo do caule de 2 cm.
- **Com a cabeça de aparar:** Aparar relva e ervas em redor de varandas, vedações e cobertas.

AVISO: A ferramenta tem de ser usada apenas conforme descrito. Qualquer outra utilização, por exemplo, para aparar sebes, pode ser considerada uma má utilização.

FIXAR/RETIRAR A BATERIA

Carregue por completo antes da primeira utilização.

Para fixar

Alinhe as abas da bateria com as ranhuras de fixação e empurre a bateria para baixo até ouvir um “clique” (Imagem P).

Para retirar

Prima o botão de libertação da bateria e puxe a bateria para fora (Imagem Q).

Imagem.P descrição das peças apresentada abaixo:

| | |
|-----|---------------------|
| P-1 | Ranhura de montagem |
| P-2 | Aba |

MONTAR A ALÇA DUPLA PARA OS OMBROS E SEGURAR A MÁQUINA

Coloque a alça dupla para os ombros no corpo e insira as duas partes da fivela da alça uma na outra até ouvir um clique (Imagem R-1). Alinhe o gancho da almofada da anca no orifício do clipe da tubagem fixado no eixo, e prima suavemente o eixo para baixo (Imagem R-2 e R-3 e R-4).

Segure o aparador de linha com ambas as mãos no lado direito do seu corpo (Imagem S). A cabeça da roçadeira ou lâmina deverão estar paralelas ao chão a uma distância de corte adequada sem que o operador tenha de se dobrar.

Pode libertar a roçadeira de dois modos: Liberte a fivela da alça (Imagem T) ou prima o gancho na alça e retire-a do clipe do tubo fixado no eixo (Imagem R-2).

AVISO: Quando ocorrer uma emergência, retire-a imediatamente do seu ombro, não importa qual a alça em que se encontre. Liberte a fivela da alça (Imagem T). Usar ambas as mãos nos ombros de cada lado é um método rápido de libertação.

⚠ AVISO: Não deverá usar a alça simples e a alça dupla para os ombros em simultâneo.

LIGAR/DESLIGAR A ROÇADEIRA

Para ligar

Prima a alavanca de bloqueio para baixo e mantenha-a nessa posição. Aperte o gatilho para ligar (Imagem U).

Uma pressão diferente no gatilho dá origem a uma velocidade de rotação variável da unidade de corte. Se necessário, ajuste a alavanca limitadora da velocidade para escolher a velocidade máxima.

AVISO: A alavanca limitadora da velocidade também pode ser predefinida para limitar o movimento do gatilho.

Para parar

Deixe de premir o gatilho.

AVISO: O motor só funciona quando a alavanca de desbloqueio e o gatilho forem premidos em simultâneo.

⚠ AVISO: Retire sempre a bateria do aparador de linha durante pausas de trabalho e após terminar o trabalho.

USAR A MÁQUINA

⚠ AVISO: Vista-se adequadamente para reduzir o risco de lesões quando utilizar a roçadeira. Não utilize roupa larga ou jóias. Use proteções oculares e auditivas. Use calças compridas e resistentes, botas e luvas. Não use roupa curta, sandálias nem ande descalço.

Antes da utilização, olhe à sua volta para se certificar de que tem uma área de trabalho segura sem outras pessoas, animais ou objetos soltos. Certifique-se de que estão a, pelo menos, 15 metros de distância. A seguir, verifique se tem proteção ocular, roupa adequada e equilíbrio.

Antes de cada utilização, verifique se existem peças gastas ou danificadas. Verifique a cabeça da roçadeira, lâmina de 3 dentes, proteção, acessório da proteção, guiador e alça dupla para os ombros e substitua as peças rachadas, torcidas, dobradas ou danificadas de algum modo. A lâmina para cortar a linha na extremidade da proteção pode deixar de ficar afiada com o passar do tempo. Recomendamos que afie periodicamente com uma lima ou que a substitua por uma lâmina nova.

Após cada utilização, limpe a roçadeira.

USAR COM A CABEÇA DE APARAR

Ajustar o comprimento da linha de corte

A cabeça da roçadeira permite ao operador libertar mais linha de corte sem parar o motor. À medida que a linha fica gasta, pode libertar mais linha, batendo ligeiramente o manípulo de choque no chão enquanto utiliza o aparador (Imagem V).

AVISO: A libertação da linha irá ser mais difícil pois a linha começa a ficar mais curta.

⚠ AVISO: Não retire nem altere o conjunto da lâmina de corte da linha. Uma linha com um comprimento excessivo faz o motor sobreaquecer e pode dar origem a lesões pessoais sérias.

Substituição da linha

AVISO: Use sempre a linha de corte de nylon recomendada, com um diâmetro que não exceda 2,4 mm. Usar outra linha para além da especificada pode fazer com que a roçadeira sobreaqueça ou fique danificada.

⚠ AVISO: Nunca use linha de metal reforçado, arame, corda, etc. Estas podem partir e tornarem-se projéteis perigosos.

1. Retire a bateria.
2. Retire a linha de corte restante, se necessário.
3. Rode o fixador da bobina na direção da seta, conforme necessário, para alinhar a linha CARREGADA no fixador da bobina com os ilhós na base da bobina (Imagem W-1).
4. Corte 5 metros de linha de corte e insira a linha no orifício de montagem no interior do ilhó (Imagem W-2). Pressione e puxe a linha a partir do outro lado, até que apareçam quantidades iguais de linha em ambos os lados da bobina (Imagem W-3).
5. Pressione, enquanto roda o fixador da bobina na direção da seta, para enrolar a linha na bobina até que apareçam cerca de 14 cm de linha em cada lado (Imagem W-4).
6. Pressione o fixador da bobina para baixo enquanto puxa as linhas para avançar manualmente a linha e verificar a montagem correta da cabeça da roçadeira.

Quando a linha de corte se partir na saída da linha, ou não for libertada quando bater com a cabeça da roçadeira, siga os passos apresentados em baixo:

1. Retire a bateria.
2. Prima as abas de libertação no fixador da bobina e retire o fixador da bobina puxando a direita (Imagem H-1 e H-2).
3. Retire a linha de corte do fixador da bobina.
4. Enquanto segura a base da bobina com uma mão, use a outra mão para segurar o fixador da bobina e alinhar as abas no fixador da bobina com os orifícios na base da bobina (Imagem X-1). Use a palma da mão para pressionar e rodar o fixador da bobina para a esquerda e para a direita até que as abas fiquem fixadas na base da bobina (Imagem X-2).
5. Recarregar a linha de corte.

USAR COM A LÂMINA DE METAL DE 3 DENTES

⚠️ AVISO: Para cortar arbustos selvagens e mato, baixe a lâmina rotativa de 3 dentes até ao mato para obter um efeito de corte. Use a roçadeira como uma gadanha (deslize-a para a esquerda e para a direita) ao nível do chão. Não use a unidade de corte acima da altura da cintura.

⚠️ AVISO: Quanto mais alto o acessório de corte estiver do chão, maior será o risco de lesões devido a ressaltos do material cortado.

⚠️ AVISO: Quando cortar pequenas árvores ou outros materiais de madeira até 2 cm de diâmetro, use o lado esquerdo da lâmina para evitar possíveis ressaltos. Não tente cortar material de madeira com um diâmetro mais largo, pois a lâmina pode ficar presa ou atirar a roçadeira para a frente. Isto pode danificar a lâmina ou a roçadeira, ou fazer com que perca o controlo e sofra lesões pessoais.

⚠️ AVISO: A utilização incorreta da lâmina pode fazer com que se rache, lasque ou estilhaçe. As peças atiradas podem lesionar seriamente o operador ou terceiros. Para reduzir o risco de lesões pessoais, é essencial tomar as seguintes precauções:

- Evite o contacto com objetos estranhos duros ou sólidos, como pedras, rochas ou pedaços de metal.
- Nunca corte madeira nem arbustos com um caule com mais de 2 cm de diâmetro.
- Inspeccione regularmente a lâmina quanto a sinais de danos. Não continue a trabalhar com uma lâmina danificada.
- Afie a lâmina regularmente (quando notar que não está afiada) e leve-a para ser equilibrada, se necessário (efetuado por um técnico qualificado).

Ressalto da lâmina

Tenha muito cuidado quando usar a lâmina de 3 dentes com esta unidade. O ressalto da lâmina é a reação que pode ocorrer quando uma lâmina a girar entra em contacto com algo que não consiga cortar. Este contacto pode fazer com que a lâmina pare durante um momento e lançar de repente a unidade para longe do objeto que atingiu. Esta reação pode ser violenta o suficiente para fazer com que o operador perca o controlo da unidade. O ressalto da lâmina pode ocorrer sem aviso, caso a lâmina bata, fique presa ou limitada. Isto é mais provável em áreas onde seja difícil ver o material a ser cortado. Para facilidade e segurança de corte, aproxime-se das ervas a serem cortadas com a roçadeira da direita para a esquerda. No caso de encontrar um objeto inesperado ou monte de madeira, esta prática pode minimizar a reação de ressalto da lâmina.

MANUTENÇÃO

⚠️ AVISO: Antes de inspecionar, limpar ou reparar a unidade, pare o motor, espere que todas as peças móveis parem por completo e retire a bateria. O não seguimento destas instruções pode dar origem a lesões corporais sérias ou danos de propriedade.

⚠️ AVISO: Quando fizer reparações, utilize apenas peças de substituição idênticas. A utilização de outras peças pode dar origem a perigos ou danos no produto. Para assegurar a segurança e bom funcionamento, todas as reparações deverão ser efetuadas por um técnico de reparação qualificado.

MANUTENÇÃO GERAL

Evite usar solventes quando limpar peças de plástico. Grande parte dos plásticos é susceptível a danos devido a vários tipos de solventes comerciais. Use panos limpos para retirar a sujidade, pó, óleo, gordura, etc.

LIMPAR A MÁQUINA

- Após cada utilização da lâmina de 3 dentes/cabeça da roçadeira, limpe os resíduos, obstruções ou relva na lâmina e na proteção com uma escova suave.

AVISO: Quando a lâmina de corte da linha deixar de estar afiada, leve-a para ser afiada por um técnico qualificado, ou substitua-a por uma lâmina de corte da linha nova, conforme necessário.

- Após cada utilização da roçadeira, limpe a unidade de corte, usando um pano ligeiramente embebido em água e detergente neutro.
- Não utilize detergentes fortes na estrutura de plástico ou na pega. Estes podem ser danificados por determinados óleos aromáticos, como pinho e limão por solventes como querosene. A humidade também pode causar um perigo de choque. Retire qualquer vestígio de humidade com um pano suave e seco.
- Use uma pequena escova ou um pequeno aspirador para limpar as entradas de ar na estrutura traseira.

GUARDAR A MÁQUINA

- Retire a bateria da ferramenta.
- Use luvas resistentes para limpar bem a ferramenta.
- Monte a proteção da lâmina na lâmina de 3 dentes para a guardar em segurança (Imagem Y).
- Guarde a unidade num local seco, bem ventilado, trancado ou elevado, fora do alcance das crianças. Não guarde a unidade em cima ou perto de fertilizantes, gasolina ou outros químicos.

Proteção do ambiente



Não elimine o equipamento elétrico, o carregador da bateria e as baterias/ baterias recarregáveis juntamente com o lixo doméstico comum!

De acordo com a norma europeia 2002/19/UE, o equipamento elétrico e eletrónico que deixe de ser usado e de acordo com a norma europeia 2006/66/CE, as baterias gastas ou defeituosas têm de ser recolhidas em separado.

Se os equipamentos elétricos forem eliminados em aterros ou lixeiras, substâncias perigosas podem vaziar para os lençóis freáticos e entrar na cadeia de alimentação, danificando a sua saúde e bem-estar.

DECLARAÇÃO DE CONFORMIDADE CE

Nós, EGO EUROPE GMBH

Wahlwiesenstrasse 1, D-71711 Steinheim an der Murr Deutschland

Declara que o produto **ROÇADEIRA COM GUIADOR E MOTOR TRASEIRO DE IÃO E LÍTIO DE 56 VOLTS BC3800E** se encontra em conformidade com as normas essenciais de saúde e segurança das seguintes diretivas:

2006/42/CE, 2014/30/UE, 2011/65/UE, 2000/14/CE

Normas e especificações técnicas relativas a:

EN ISO 11806-1, EN 60745-1, EN 55014-1, EN 55014-2, IEC 62321.

PT

| | Cabeça de aparar | Lâmina de metal de 3 dentes |
|-------------------------------------|------------------|-----------------------------|
| Nível de potência do som medido: | 94,80 dB(A) | 94,04 dB(A) |
| Nível de potência de som garantido: | 96 dB(A) | 96 dB(A) |

O procedimento de avaliação da conformidade do Anexo VI é seguido de acordo com a diretiva 2000/14/CE.

Organismo notificado: DEKRA Certification B.V. Meander 1051 / P.O. box 5185 6525 MJ ARNHEM / 6802 ED ARNHEM, Netherlands

Número do organismo notificado: 0344

Peter Melrose
Administrador da
EGO Europe GmbH

Dong Jianxun
Gestor de Qualidade da
Chervon

* (Representante autorizado da CHERVON e responsável pela documentação técnica)

01/09/2017

RESOLUÇÃO DE PROBLEMAS**PT**

| PROBLEMA | CAUSA | SOLUÇÃO |
|--------------------|---|--|
| Falha no arranque. | <ul style="list-style-type: none">■ A bateria não foi colocada na roçadeira.■ Não existe contacto elétrico entre a roçadeira e a bateria.■ A bateria está gasta.■ A alavanca de bloqueio e o gatilho não foram premidos em simultâneo. | <ul style="list-style-type: none">■ Fixe a bateria na cabeça motora.■ Retire a bateria, verifique os contactos e volte a instalar a bateria até ficar fixada no respetivo lugar.■ Carregue a bateria com carregadores EGO listados neste manual.■ Prima a alavanca de bloqueio e mantenha premida, depois prima o gatilho para ligar a roçadeira. |
| Pára de funcionar. | <ul style="list-style-type: none">■ O motor está sobrecarregado.■ Está a usar uma linha de corte muito pesada.■ A bateria ou a roçadeira estão muito quentes.■ A bateria foi retirada da ferramenta.■ A bateria está gasta. | <ul style="list-style-type: none">■ O motor recupera quando a carga for retirada. Para um funcionamento contínuo, diminua a carga da cabeça motora.■ Use a linha de corte de nylon recomendada com um diâmetro nunca superior a 2,4 mm.■ Deixe a bateria ou a cabeça motora arrefecer até que a temperatura atinja menos de 67 °C.■ Volte a colocar a bateria.■ Carregue a bateria com carregadores EGO listados neste manual. |

| PROBLEMA | CAUSA | SOLUÇÃO |
|---|---|--|
| A cabeça da roçadeira não avança linha (usando apenas a cabeça da roçadeira). | <ul style="list-style-type: none"> ■ O eixo do motor ou a cabeça da roçadeira estão cheios de relva. ■ Não há linha suficiente na bobina. ■ A cabeça da roçadeira está suja. ■ A linha ficou enroscada na bobina. ■ A linha é demasiado curta. | <ul style="list-style-type: none"> ■ Pare a máquina, retire a bateria e retire a relva do eixo do motor e da cabeça da roçadeira. ■ Retire a bateria e substitua a linha de corte. Siga a secção "SUBSTITUIÇÃO DA LINHA" neste manual. ■ Retire a bateria e limpe a bobina, fixador da bobina e base da bobina. ■ Retire a bateria, retire a linha da bobina e enrolar. Siga a secção "SUBSTITUIÇÃO DA LINHA" neste manual. ■ Retire a bateria e puxe as linhas enquanto prime alternadamente e liberte o manípulo de choque. |

GARANTIA

POLÍTICA DE GARANTIA EGO

Por favor, visite o website egopowerplus.com para saber todos os termos e condições da política de garantia EGO.

LEGGERE TUTTE LE ISTRUZIONI!



LEGGERE IL MANUALE DI ISTRUZIONI

⚠️ Rischi residui! Le persone portatrici di dispositivi elettronici, ad esempio pacemaker, devono consultare il proprio medico prima di usare questo prodotto. L'utilizzo di apparecchi elettrici in prossimità di pacemaker cardiaci comporta il rischio di interferenze o malfunzionamento del pacemaker.

⚠️ AVVERTENZA! Per garantire sicurezza e affidabilità, tutte le riparazioni e sostituzioni devono essere eseguite da un tecnico qualificato.

SIMBOLI DI SICUREZZA

Lo scopo dei simboli di sicurezza è attirare l'attenzione dell'operatore su possibili pericoli. I simboli di sicurezza e le relative spiegazioni richiedono la massima attenzione e comprensione da parte dell'operatore. Le avvertenze espresse dai simboli, da sole, non eliminano tutti i rischi. Le istruzioni e le avvertenze non sostituiscono le adeguate misure di prevenzione contro gli incidenti.

⚠️ AVVERTENZA! Accertarsi di aver letto e compreso tutte le istruzioni di sicurezza in questo manuale, inclusi tutti i simboli di avvertenza come "PERICOLO", "AVVERTENZA" e "ATTENZIONE", prima di usare questo apparecchio. Il mancato rispetto di tutte le istruzioni riportate di seguito comporta il rischio di scossa elettrica, incendio e/o lesioni gravi.

SIGNIFICATO DEI SIMBOLI

⚠️ SIMBOLO DI AVVERTENZA: indica PERICOLO, AVVERTENZA o ATTENZIONE; può essere usato in combinazione con altri simboli o icone.



⚠️ AVVERTENZA! L'uso di apparecchi elettrici può causare il lancio di oggetti estranei verso l'operatore, con il rischio di gravi lesioni agli occhi. Durante l'uso dell'apparecchio, indossare sempre occhiali protettivi o occhiali di sicurezza con protezioni laterali e, se necessario, una maschera facciale. Si consiglia di indossare una maschera di sicurezza con ampio campo visivo sopra gli occhiali o gli occhiali di sicurezza standard con protezioni laterali.

ISTRUZIONI DI SICUREZZA

Questa pagina illustra e descrive i simboli di sicurezza che possono comparire sul prodotto. Leggere, comprendere e seguire tutte le istruzioni sull'apparecchio prima di tentare di assemblarlo e ripararlo.

| | | |
|--|--|---|
| | Avvertenza di sicurezza | Indica un potenziale rischio di infortunio. |
| | Leggere il manuale di istruzioni | Per ridurre il rischio di infortunio, l'utente deve leggere e comprendere tutte le istruzioni prima di usare questo prodotto. |
| | Indossare protezioni per gli occhi | Durante l'uso del prodotto, indossare sempre occhiali protettivi o occhiali di sicurezza con protezioni laterali e una maschera facciale. |
| | Indossare protezioni per le orecchie | Indossare sempre dispositivi di protezione dell'udito (tappi per orecchie o cuffie). |
| | Indossare protezioni per la testa | Indossare un casco di sicurezza omologato per proteggere la testa. |
| | Indossare guanti di sicurezza | Proteggere le mani con i guanti durante la manipolazione della lama o della cuffia di protezione. Guanti robusti e antiscivolo migliorano la presa e proteggono le mani dell'operatore. |
| | Indossare calzature di sicurezza | Indossare calzature di sicurezza antiscivolo durante l'uso di questo apparecchio. |
| | Fare attenzione al rischio di contraccolpo | Avverte l'operatore del pericolo di contraccolpo della lama. |
| | Rimbalzo - Tenere lontane le altre persone | Gli oggetti lanciati possono rimbalzare e causare danni o lesioni. Assicurarsi che eventuali altre persone e animali rimangano a distanza dall'apparecchio quando è in funzione. |

| | | |
|----------|---------------------------------|---|
| | Tenere lontane le altre persone | Assicurarsi che eventuali altre persone e animali rimangano ad almeno 15m di distanza dall'apparecchio quando è in funzione. |
| | Non usare lame rotonde | Non installare lame rotonde. |
| | Non esporre alla pioggia | Non usare l'apparecchio in caso di pioggia e non lasciarlo all'aperto quando piove. |
| | CE | Questo prodotto è conforme alle direttive europee applicabili. |
| | RAEE | I prodotti elettrici non devono essere smaltiti insieme ai rifiuti domestici. Portarli presso un centro di riciclaggio autorizzato. |
| | Rumore | Livello di potenza sonora garantito. Emissione di rumore nell'ambiente conforme alla direttiva dell'Unione europea. |
| V | Volts | Voltaggio |
| | Corrente continua | Tipo o caratteristica della corrente |
| n_0 | Velocità a vuoto | Velocità di rotazione, senza carico |
| ... /min | Al minuto | Rotazioni al minuto |

ISTRUZIONI DI SICUREZZA IMPORTANTI

⚠ AVVERTENZA! Durante l'uso di questo apparecchio è necessario rispettare alcune elementari norme di sicurezza per ridurre il rischio di incendio, scossa elettrica e infortunio, tra cui le seguenti.

LEGGERE ATTENTAMENTE PRIMA DELL'USO

CONSERVARE PER RIFERIMENTO FUTURO

⚠ PERICOLO! Non affidarsi esclusivamente all'isolamento dell'apparecchio contro le scosse elettriche. Per ridurre il rischio di folgorazione, non usare mai l'apparecchio in prossimità di fili o cavi (alimentazione, ecc.) che possono condurre corrente elettrica.

⚠ ATTENZIONE! Indossare adeguati dispositivi di protezione per le orecchie durante l'uso. In alcune circostanze e a seconda della durata di utilizzo, il rumore emesso da questo apparecchio può contribuire alla perdita dell'udito.

FORMAZIONE ALL'USO DELL'APPARECCHIO

- Leggere attentamente le istruzioni. Familiarizzare con tutti i comandi e l'uso corretto della macchina.
- Non fare mai utilizzare l'apparecchio a bambini o a persone che non conoscono bene come fare funzionare l'apparecchio. Normative locali possono limitare l'uso in base all'età.
- Tenere presente che l'operatore o utente è responsabile per incidenti o rischi causati ad altre persone o proprietà.

PREPARAZIONE

- Non azionare mai l'apparecchio se sono presenti persone, soprattutto bambini, o animali nelle vicinanze.
- Indossare sempre dispositivi di protezione per gli occhi e scarpe robuste durante l'uso dell'apparecchio.
- La distanza tra l'apparecchio e le altre persone presenti deve essere almeno 15 metri.

FUNZIONAMENTO

- Usare il decespugliatore esclusivamente alla luce del giorno o con una buona illuminazione artificiale.
- Non usare il decespugliatore se la cuffia di protezione o altri dispositivi di sicurezza sono danneggiati o mancanti.
- Accendere il motore esclusivamente quando mani e piedi sono lontani dall'accessorio di taglio.
- Scollegare sempre il decespugliatore dalla fonte di alimentazione (rimuovere il gruppo batteria):
 - prima di lasciare il decespugliatore incustodito;
 - prima di eliminare un'ostruzione;
 - prima di controllare, pulire o eseguire lavori sul decespugliatore;
 - dopo aver urtato un oggetto estraneo;
 - se il decespugliatore comincia a vibrare in modo anomalo.
- Fare attenzione a evitare lesioni a mani e piedi dovute all'accessorio di taglio.
- Verificare sempre che le aperture di ventilazione siano prive di detriti.

MANUTENZIONE E CONSERVAZIONE

- Scollegare sempre il decespugliatore dalla fonte di alimentazione (rimuovere il gruppo batteria) prima di effettuare qualsiasi operazione di manutenzione o pulizia.
- Usare esclusivamente accessori e parti di ricambio originali.
- Ispezionare il decespugliatore ed effettuare la manutenzione regolarmente. Affidare la riparazione dell'apparecchio esclusivamente a personale autorizzato.
- Quando il decespugliatore non è in uso, riporlo fuori dalla portata dei bambini.

IT

AVVERTENZE DI SICUREZZA AGGIUNTIVE

- **Tenere i bambini a distanza** - Eventuali altre persone devono rimanere ad almeno 30 metri di distanza dall'area di lavoro.
- **Evitare gli ambienti pericolosi** - Non usare l'apparecchio in ambienti umidi o bagnati.
- **Spegner sempre il decespugliatore o rimuovere il gruppo batteria prima di lasciare l'apparecchio incustodito.**
- **Non usare l'apparecchio sotto la pioggia.**
- **Vestirsi adeguatamente** - Non indossare indumenti ampi, gioielli, pantaloni corti o sandali e non usare l'apparecchio a piedi nudi per evitare il rischio di impigliamento nelle parti in movimento. Indossare sempre pantaloni lunghi e robusti e magliette a maniche lunghe. Si raccomanda l'uso di guanti in gomma e calzature robuste durante i lavori all'aperto. Indossare un copricapo per raccogliere i capelli lunghi o legarli sopra l'altezza delle spalle.
- **Indossare occhiali di sicurezza** - Usare sempre una maschera facciale o antipolvere se l'ambiente è polveroso.
- **Usare l'apparecchio appropriato** - Non usare l'apparecchio per scopi diversi da quelli per cui è progettato.
- **Non forzare il decespugliatore** - Sarà più efficace e sicuro se usato al regime per cui è stato progettato.
- **Non allungarsi eccessivamente** - Tenere i piedi a contatto con il pavimento e mantenere sempre l'equilibrio.
- **Rimanere vigili** - Prestare attenzione al lavoro che si sta effettuando. Usare il buon senso. Non usare il decespugliatore se si è stanchi.
- **Non usare il decespugliatore se si è sotto l'effetto di droghe o alcol.**
- **Mantenere la cuffia di protezione dell'apparecchio installata e in buono stato.**
- **Tenere mani e piedi lontani dall'area di taglio.**
- **Conservare il decespugliatore in interni** - Quando non è in uso, conservare il decespugliatore in interni, in un luogo asciutto e elevato o chiuso a chiave, privo di batteria e fuori dalla portata dei bambini.
- **Mantenere il decespugliatore in buono stato** - Mantenere pulito l'accessorio di taglio per ottimizzare le prestazioni e ridurre il rischio di infortunio. Seguire le istruzioni relative alla sostituzione degli accessori. Tenere le impugnature asciutte, pulite e prive di olio e grasso.
- **Verificare l'assenza di componenti danneggiati** - Se la cuffia di protezione o un altro componente ha subito danni, ispezionarlo con attenzione per verificare che funzioni correttamente prima di usare nuovamente il decespugliatore. Verificare che le parti mobili non siano disallineate o piegate, che il telaio e i componenti non siano danneggiati e che non siano presenti altre condizioni suscettibili di compromettere il funzionamento del tagliasepie. Se un dispositivo di protezione o un componente è danneggiato, deve essere riparato o sostituito da un centro di assistenza autorizzato, tranne se altrimenti specificato in questo manuale.
- **Assicurarsi che tutti i dispositivi di fissaggio siano installati e saldi. Assicurarsi che la cuffia di protezione sia fissata correttamente e posizionata come raccomandato dal costruttore.**
- **Sgombrare l'area da tagliare prima di ogni utilizzo.** Rimuovere oggetti come pietre, vetri rotti, chiodi, cavi o corde perché potrebbero venire lanciati o impigliarsi nell'accessorio di taglio. Tenere lontani dall'area di lavoro bambini, altre persone e animali. Tenere eventuali bambini, altre persone e animali ad almeno 15 m (50 ft) di distanza; oltre tale distanza permane tuttavia il rischio di lesioni alle altre persone dovute al lancio di oggetti. Si raccomanda di far indossare dei dispositivi di protezione per gli occhi a eventuali persone presenti.
- **Prima di usare il decespugliatore e dopo qualsiasi urto, verificare l'assenza di segni di usura o rottura e procedere alla riparazione se necessario.**
- **Durante l'uso del decespugliatore, tenerlo sempre saldamente con entrambe le mani sull'impugnatura. Avvolgere le dita e i pollici intorno alle impugnature.**
- **Evitare l'avvio accidentale** - Non trasportare il decespugliatore con il dito sull'interruttore.
- **Non usare il decespugliatore in atmosfere esplosive o in presenza di gas.** Il motore di questo apparecchio genera scintille che possono incendiare i vapori infiammabili.

- **Danni al decespugliatore** - Se il decespugliatore urta un oggetto estraneo o se rimane incastrato, spegnere immediatamente l'apparecchio, rimuovere il gruppo batteria, verificare l'assenza di danni o procedere alla riparazione prima di usarlo nuovamente. Non usare l'apparecchio se un dispositivo di sicurezza o la lama sono danneggiati.
- **Se l'apparecchio inizia a vibrare in modo anormale, arrestare il motore, rimuovere il gruppo batteria e individuare immediatamente la causa.** La vibrazione è generalmente sintomo di un problema. Un'unità di taglio allentata può vibrare, incrinarsi, rompersi o staccarsi dal decespugliatore, comportando il rischio di lesioni gravi o mortali. Assicurarsi che l'unità di taglio sia installata correttamente e fissata saldamente. Se l'unità di taglio si allenta dopo averla fissata, sostituirla immediatamente. Non usare mai il decespugliatore se l'unità di taglio è allentata.
- **Sostituire immediatamente l'unità di taglio se è incrinata, danneggiata o usurata, anche se il danno è limitato a incrinature superficiali.** Ad alta velocità, l'unità di taglio può frantumarsi e causare lesioni gravi o mortali.
- **Per ridurre il rischio di infortunio, non lavorare mai su scale o su altri supporti instabili. Non tenere mai l'unità di taglio sopra l'altezza della vita.**
- **Non usare mai altri tipi di filo al posto del filo di taglio in nylon; pezzi di filo metallico possono rompersi e venire lanciati ad alta velocità verso l'operatore o altre persone presenti.**
- **Mantenere sempre una posizione salda e in equilibrio.** Non allungarsi eccessivamente. Tenere l'unità di taglio sotto il livello della vita. Mantenere tutte le parti del corpo lontane dall'unità di taglio in movimento.
- **Ispezionare l'unità di taglio a brevi e regolari intervalli durante l'uso o immediatamente dopo aver rilevato un evidente cambiamento nell'efficienza di taglio.**
- **Usare esclusivamente accessori di taglio e bobine di filo sintetico autorizzate EGO™ e bobine di filo e lame progettate per l'uso con questo decespugliatore. Unità di taglio non autorizzate possono essere estremamente pericolose e/o danneggiare l'apparecchio.**
- **Se un'altra persona si avvicina, arrestare immediatamente il motore e l'unità di taglio.**
- **Fare attenzione al pericolo di contraccolpo della lama (solo per lame a 3 denti).**
 - Il contraccolpo della lama può verificarsi quando la lama in movimento entra a contatto con un oggetto che non riesce a tagliare immediatamente.
 - Il contraccolpo della lama può essere così violento da spingere l'unità e/o l'operatore in qualsiasi direzione, causando la perdita di controllo dell'unità.
 - Il contraccolpo della lama può verificarsi senza preavviso se la lama si inceppa, si blocca o si piega.
 - Il contraccolpo può verificarsi maggiormente in aree in cui è difficile vedere il materiale da tagliare.
- **Non fissare alcuna lama all'unità senza aver installato correttamente tutti i componenti necessari.** Il mancato utilizzo dei componenti corretti può causare il distacco della lama, con il conseguente rischio di lesioni per l'operatore e/o le persone presenti. Gettare lame piegate, deformate, incrinata, rotte o danneggiate in qualsiasi modo. Usare una lama affilata. Una lama smussata ha più probabilità di incepparsi e causare contraccolpi (solo per lame a 3 denti).
- **Il gruppo batteria deve essere smaltito in modo sicuro.**
- **La lama/il filo di taglio può causare lesioni anche dopo l'arresto del motore o il rilascio dell'interruttore a grilletto perché continua a ruotare.** Mantenere il controllo dell'apparecchio finché la lama/il filo di taglio non si ferma completamente.
- **Non ricaricare il gruppo batteria sotto la pioggia o in luoghi umidi.**
- Usare l'apparecchio esclusivamente con i gruppi batteria e caricabatteria EGO elencati di seguito.

| BATTERIA | CARICABATTERIA |
|--|--------------------|
| BA1120E, BA1400, BA2240E, BA2800, BA3360, BA4200, BAX1300 | CH2100E CH5500E |

- **Il gruppo batteria deve essere rimosso dall'apparecchio prima che sia smaltito.**
- **Non gettare la batteria nel fuoco** perché le celle potrebbero esplodere. Contattare le autorità locali per eventuali istruzioni di smaltimento specifiche.
- **Non aprire o mutilare la batteria.** Gli elettroliti rilasciati sono corrosivi e possono danneggiare gli occhi o la pelle o essere tossici se ingeriti.
- **Prestare attenzione durante la manipolazione delle batterie per evitare il contatto con materiali conduttivi come anelli, bracciale e chiavi.** La batteria o il conduttore possono surriscaldarsi e causare ustioni.
- **Parti di ricambio** - Durante la riparazione, usare esclusivamente parti di ricambio EGO identiche. L'uso di altri accessori aumenta il rischio di infortunio.
- **Gli apparecchi a batteria non hanno bisogno di essere collegati a un impianto elettrico; pertanto sono sempre in condizioni operative.** Tenere a mente i possibili rischi anche quando l'apparecchio non è in funzione. Prestare attenzione durante le operazioni di manutenzione o riparazione.
- **Rimuovere o scollegare il gruppo batteria prima di riparare, pulire o rimuovere materiale dal decespugliatore.**

- Non pulire l'apparecchio con tubi per innaffiare; evitare le infiltrazioni d'acqua nel motore e nelle connessioni elettriche.
- In caso di situazioni non contemplate in questo manuale, agire con cautela e usare il buon senso. Contattare il centro di assistenza EGO per assistenza.

CONSERVARE QUESTE ISTRUZIONI!

SPECIFICHE TECNICHE

IT

| | | | |
|---|------------------------------------|---|---|
| Unità di taglio | Testa di taglio con filo | Lama metallica a 3 denti | |
| Voltaggio | 56 V | 56 V | |
| Velocità a vuoto | 4500-6000/min | 4500-6000/min | |
| Tipo di filo di taglio | Filo in nylon attorcigliato 2,4 mm | / | |
| Lama di taglio | / | ABB1203 | |
| Ampiezza di taglio | 38 cm | 30 cm | |
| Peso (Senza gruppo batteria) | 4,35 kg | 4,64 kg | |
| Livello di potenza sonora misurato L_{WA} | 94,80 dB(A) K=1,01 dB(A) | 94,04 dB(A) K=1,71 dB(A) | |
| Livello di pressione sonora a livello dell'operatore L_{PA} | 80,2 dB(A) K=2,5 dB(A) | 80,0 dB(A) K=4,1 dB(A) | |
| (misurato conformemente a 2000/14/EC) Livello di potenza sonora garantito L_{WA} | 96 dB(A) | 96 dB(A) | |
| Valore di vibrazioni a_h | Impugnatura sinistra | 2,28 m/s ² K=1,5 m/s ² | 1,55 m/s ² K=1,5 m/s ² |
| | Impugnatura destra | 2,38 m/s ² K=1,5 m/s ² | 1,88 m/s ² K=1,5 m/s ² |

- Il valore totale di vibrazioni indicato è stato misurato tramite il metodo di collaudo standard e può essere utilizzato per confrontare l'apparecchio con altri prodotti analoghi.
- Il valore totale di vibrazioni indicato può essere utilizzato anche per una valutazione preliminare dei livelli di esposizione.

NOTA: L'emissione di vibrazioni durante l'uso effettivo dell'apparecchio può variare rispetto al valore indicato in base a come viene utilizzato l'utensile. Per proteggersi, l'operatore deve indossare guanti e dispositivi di protezione per le orecchie in base alle reali condizioni d'uso.

CONTENUTO DELLA CONFEZIONE

| DENOMINAZIONE DEL COMPONENTE | QUANTITÀ |
|------------------------------|----------|
| Decespugliatore | 1 |
| Lama a 3 denti con coprilama | 1 |
| Gruppo cuffia di protezione | 1 |
| Dado | 1 |
| Flangia esterna | 1 |
| Chiave esagonale | 1 |
| Chiave multifunzione | 1 |
| Tracolla a doppia spalla | 1 |
| Manuale di istruzioni | 1 |

DESCRIZIONE

DESCRIZIONE DEL DECESPUGLIATORE (Fig. A)

1. Leva di limitazione della velocità
2. Leva di sbloccaggio
3. Bullone ad alette
4. Interruttore a grilletto
5. Impugnatura a manubrio
6. Asta
7. Filo di taglio
8. Gruppo cuffia di protezione
9. Testa di taglio con filo
10. Vite sigillante
11. Foro di bloccaggio dell'asta
12. Accessorio per cuffia
13. Chiave multifunzione
14. Chiave esagonale
15. Lama a 3 denti
16. Flangia esterna
17. Dado
18. Pulsante di rilascio
19. Cuscinetto protettivo in gomma
20. Dispositivo di chiusura
21. Contatti elettrici
22. Meccanismo di espulsione
23. Fibbia
24. Cuscinetto per fianco

AVVERTENZA! Non usare l'apparecchio se la cuffia di protezione non è posizionata correttamente e saldamente. La cuffia di protezione deve essere sempre installata per proteggere l'operatore.

AVVERTENZA! Quando l'utensile è utilizzato come decespugliatore a filo con apposita di testa di taglio, l'accessorio per cuffia dotato di lama di taglio del filo deve essere montato sulla cuffia di protezione, per evitare un'eccessiva lunghezza del filo di taglio e il sovraccarico del motore. Non usare la testa di taglio con filo senza l'accessorio per cuffia.

ASSEMBLAGGIO

AVVERTENZA! In caso di componenti danneggiati o mancanti, non usare il decespugliatore finché i componenti non vengono sostituiti. L'uso del decespugliatore con componenti danneggiati o mancanti comporta il rischio di lesioni gravi.

AVVERTENZA! Non tentare di modificare il decespugliatore o creare accessori non raccomandati per l'uso con questo apparecchio. Tali alterazioni o modifiche costituiscono un uso improprio e comportano condizioni pericolose e il rischio di lesioni gravi.

AVVERTENZA! Indossare sempre guanti robusti durante l'installazione o la rimozione della cuffia di protezione o durante le operazioni di manutenzione della lama a 3 denti/filo di taglio. Fare attenzione alla lama di taglio del filo sull'accessorio per cuffia / alla lama a 3 denti e proteggere le mani dal rischio di lesioni.

AVVERTENZA! Per evitare l'avvio accidentale e il conseguente rischio di lesioni gravi, rimuovere sempre il gruppo batteria dall'apparecchio durante l'assemblaggio dei componenti o il trasporto.

AVVERTENZA! Non usare l'apparecchio se la cuffia di protezione e l'impugnatura a manubrio non sono posizionate saldamente per evitare il rischio di lesioni gravi.

INSTALLAZIONE E REGOLAZIONE DELL'IMPUGNATURA A MANUBRIO

Il decespugliatore viene consegnato con l'impugnatura a manubrio nella posizione illustrata in Fig. B. Allentare il bullone ad alette situato sul raccordo, quindi sollevare l'impugnatura a manubrio di 180° intorno all'albero (Fig. C) e ruotarla di 90° in senso antiorario affinché sia rivolta verso la testa di taglio (Fig. D). Infine, spostarla avanti o indietro fino a raggiungere una posizione di lavoro confortevole e serrare il bullone.

ATTENZIONE! Utilizzare l'apparecchio esclusivamente con l'impugnatura a manubrio perpendicolare all'asta.

INSTALLAZIONE DELLA CUFFIA DI PROTEZIONE

Allentare e rimuovere le due viti dalla base dell'albero (Fig. E). Allineare i fori di montaggio della cuffia con i fori di assemblaggio, quindi bloccare la cuffia sulla base dell'albero con le due viti (Fig. F).

Accertarsi che la cuffia sia fissata come illustrato in Fig. E e F; un fissaggio invertito comporta gravi rischi!

SOSTITUZIONE DELLA TESTA DI TAGLIO CON FILO CON LA LAMA A 3 DENTI

Disassemblare la testa di taglio (Fig. G) con filo seguendo i passaggi illustrati da Fig. H-1 - Fig. H-4 (fare riferimento alla sezione "Sostituzione del filo"). Per installare la lama, seguire i passaggi riportati di seguito.

1. Assemblare l'unità lama metallica (Fig. I).
2. Rimuovere l'accessorio per cuffia allentando le tre viti con rondella (Fig. J).
3. La lama è protetta dal coprilama. Prima di installare la lama sul decespugliatore, rimuovere il coprilama rimuovendo il cavo di fissaggio dal gancio sul coprilama (Fig. K).

Descrizione delle parti in Fig. G-K:

| | | | |
|-----|-------------------------------|-----|-------------------------|
| G-1 | Flangia interna | I-3 | Copertura della flangia |
| G-2 | Copertura della flangia | I-4 | Lama a 3 denti |
| G-3 | GRUPPO rivestimento superiore | I-5 | Flangia esterna |
| G-4 | Rondella | I-6 | Dado |
| G-5 | Dado | I-7 | Fessura nella flangia |
| G-6 | Molla | J-1 | Lama di taglio del filo |
| G-7 | Filo di taglio | J-2 | Accessorio per cuffia |
| G-8 | GRUPPO rivestimento inferiore | K-1 | Cavo di fissaggio |
| I-1 | Albero motore | K-2 | Gancio |
| I-2 | Flangia interna | | |

ATTENZIONE! Per evitare il rischio di lesioni, indossare dei guanti prima di effettuare qualsiasi operazione sulla lama a 3 denti.

4. Ruotare l'albero motore per allineare la fessura nella flangia interna con il foro di bloccaggio dell'asta nella scatola degli ingranaggi (Fig. L).

5. Inserire la chiave esagonale nei fori allineati come stabilizzatore (Fig. M).

Descrizione delle parti in Fig. L e M:

| | | | |
|-----|--|-----|----------------|
| L-1 | Scatola degli ingranaggi | L-3 | Albero motore |
| L-2 | Fori di bloccaggio dell'asta allineati | M-1 | Stabilizzatore |

6. Installare la lama sull'albero motore, assicurandosi che la superficie della lama sia a filo con la superficie della sporgenza della flangia interna. Installare la flangia esterna e il dado (Fig. N). Pre-serrare il dado a mano in senso ANTIORARIO.

Descrizione delle parti in Fig. N:

| | |
|-----|-----------------|
| N-1 | Dado |
| N-2 | Flangia esterna |
| N-3 | Lama a 3 denti |

7. Posizionare la scatola degli ingranaggi contro una superficie solida che lo supporti. Afferrare l'asta del decespugliatore con una mano, e con l'altra mano afferrare la chiave multifunzione e serrare il dado nella direzione contraria rispetto alla freccia riportata sulla flangia esterna (Fig. O).

UTILIZZO DELL'ACCESSORIO PER CUFFIA

ATTENZIONE! Quando il decespugliatore è dotato di testa di taglio con filo, l'accessorio per cuffia deve essere montato sulla cuffia di protezione.

Fissare l'accessorio della cuffia (dotato di lama di taglio del filo) sulla cuffia di protezione serrando le tre viti con la chiave esagonale, per evitare un'eccessiva lunghezza del filo di taglio e il sovraccarico del motore.

FUNZIONAMENTO

AVVERTENZA! La familiarità con questo apparecchio non deve rendere l'operatore disattento. Anche un solo momento di disattenzione comporta il rischio di lesioni gravi.

AVVERTENZA! Indossare sempre protezioni per gli occhi e protezioni per le orecchie. Il mancato rispetto di questa istruzione comporta il rischio di oggetti proiettati verso gli occhi dell'operatore e altre lesioni gravi.

AVVERTENZA! Non usare accessori non raccomandati dal costruttore dell'apparecchio. L'uso di accessori non raccomandati comporta il rischio di lesioni gravi.

DESTINAZIONE D'USO

Il decespugliatore può essere usato per gli scopi elencati di seguito.

- **Con la lama metallica a 3 denti:** tagliare erba, erbaccia, cespugli e pianticelle selvatiche e sfoltire giovani soprassuoli con stelo non superiore a 2 cm di diametro.
- **Con la testa di taglio con filo:** tagliare erba ed erbaccia intorno a verande, recinti e piattaforme.

NOTA: usare l'apparecchio esclusivamente per gli scopi previsti. Altri utilizzi, ad esempio come bordatore, sono da considerarsi impropri.

INSTALLARE/RIMUOVERE IL GRUPPO BATTERIA

Ricaricare completamente prima del primo utilizzo

Installazione

Allineare i rilievi sul gruppo batteria con le scanalature di assemblaggio e premere il gruppo batteria fino al "clic" (Fig. P).

Rimozione

Premere il pulsante di rilascio della batteria ed estrarre il gruppo batteria (Fig. Q).

Descrizione delle parti in Fig. P:

| | |
|-----|-----------------------------|
| P-1 | Scanalatura di assemblaggio |
| P-2 | Rilievo |

INSTALLAZIONE DELLA TRACCOLLA A DOPPIA SPALLA E PRESA DELL'APPARECCHIO

Indossare la tracolla a doppia spalla e inserire le due parti della fibbia una dentro l'altra fino al "clic" (Fig. R-1). Allineare il gancio del cuscinetto per fianco con il foro del fermaglio fissato sull'asta e premere l'asta delicatamente verso il basso (Fig. R-2, R-3 e R-4).

Tenere il decespugliatore con entrambe le mani sul lato destro del corpo (Fig. S). La testa di taglio con filo o la lama deve essere parallela al terreno a una corretta distanza di taglio, senza che l'operatore debba piegarsi in avanti.

Per rilasciare il decespugliatore esistono due metodi: è possibile slacciare la (fibbia T) o premere il gancio della tracolla e separarla dal fermaglio fissato sul tubo (Fig. R-2).

AVVERTENZA! In caso di emergenza, sfilarla dalla spalla immediatamente, indipendentemente dalla sua modalità di fissaggio. Un rapido metodo di rilascio è slacciare la (fibbia T) e sfilare la tracolla da entrambe le spalle.

AVVERTENZA! Non usare la tracolla a doppia spalla e la tracolla a spalla singola simultaneamente.

AVVIARE/ARRESTARE IL DECESPUGLIATORE

Avviamento

Tenere premuta la leva di sbloccaggio. Premere l'interruttore a grilletto per avviare il decespugliatore (Fig. U).

La velocità di rotazione dell'unità di taglio è proporzionale alla pressione esercitata sull'interruttore a grilletto. Se necessario, regolare la leva di limitazione della velocità per impostare la massima velocità.

ATTENZIONE! È anche possibile preimpostare la leva di limitazione della velocità per limitare la corsa del grilletto.

Arresto

Rilasciare l'interruttore a grilletto.

ATTENZIONE! Il motore entrerà in funzione esclusivamente quando la leva di sbloccaggio e l'interruttore a grilletto sono premuti contemporaneamente.

AVVERTENZA! Rimuovere sempre il gruppo batteria dal decespugliatore durante le pause e al termine del lavoro.

UTILIZZO DELL'APPARECCHIO

AVVERTENZA! Vestirsi adeguatamente per ridurre il rischio di infortunio durante l'uso del decespugliatore. Non indossare indumenti ampi o gioielli. Indossare dispositivi di protezione per gli occhi/orecchie. Indossare pantaloni lunghi e pesanti, stivali e guanti. Non indossare pantaloni corti o sandali e non usare l'apparecchio a piedi nudi. Prima dell'uso, ispezionare l'area di lavoro per assicurarsi che sia priva di altre persone, animali o oggetti. Tenere eventuali altre persone e animali ad almeno 15 metri di distanza. Assicurarsi di indossare protezioni per gli occhi e indumenti adatti e di assumere una posizione bilanciata.

Prima di ogni utilizzo, verificare l'assenza di componenti danneggiati/usurati Ispezionare la testa di taglio con filo, la lama a 3 denti, la cuffia di protezione, l'accessorio per cuffia, l'impugnatura a manubrio e la tracolla a doppia spalla e sostituire i componenti incrinati, deformati, piegati o danneggiati in qualsiasi modo. La lama di taglio del filo sul bordo dell'accessorio per cuffia può smussarsi col tempo. Si consiglia di affilarla periodicamente con una lima o di sostituirla con una lama nuova.

Pulire il decespugliatore dopo ogni utilizzo.

UTILIZZO CON LA TESTA DI TAGLIO CON FILO

Regolare la lunghezza del filo di taglio

La testa di taglio permette all'operatore di allungare il filo di taglio senza arrestare il motore. Quando il filo diventa sfilacciato o usurato, allungarlo premendo leggermente il pulsante di rilascio del filo sul terreno mentre il decespugliatore è in funzione (Fig. V).

ATTENZIONE! Allungare il filo diventa più difficile mano a mano che il filo di taglio si accorcia.

AVVERTENZA! Non rimuovere o alterare la lama del filo di taglio. Una lunghezza eccessiva del filo causerà il surriscaldamento del motore e il conseguente rischio di lesioni gravi.

Sostituzione del filo

ATTENZIONE! Utilizzare esclusivamente il filo di taglio in nylon raccomandato con diametro non superiore a 2,4 mm. L'uso di fili diversi da quello specificato comporta il rischio di surriscaldamento o danneggiamento del decespugliatore.

AVVERTENZA! Non usare mai cavi, fili rinforzati in metallo, corda, ecc. perché possono rompersi e diventare proiettili pericolosi.

1. Rimuovere il gruppo batteria.
2. Rimuovere il filo di taglio rimanente, se necessario.
3. Ruotare il fermo della bobina nella direzione indicata dalla freccia, se necessario, per allineare la linea LOAD sul fermo della bobina con gli occhielli nella base della bobina (Fig. W-1).
4. Tagliare 5 cm di filo e inserire il filo nel foro di montaggio all'interno dell'occhiello (Fig. W-2). Spingere e tirare il filo dall'altro lato finché da entrambi i lati della bobina non fuoriescono quantità uguali (Fig. W-3).
5. Premere e contemporaneamente ruotare il fermo della bobina in direzione della freccia per avvolgere il filo sulla bobina, finché da ogni lato non rimangono circa 14 cm di filo (Fig. W-4).
6. Spingere il fermo della bobina verso il basso e contemporaneamente tirare i fili per farli avanzare manualmente e controllare il corretto assemblaggio della testa di taglio.

IT

Se il filo di taglio si rompe a livello dell'uscita del filo o se il filo di taglio non viene rilasciato alla pressione della testa di taglio, seguire i passaggi descritti di seguito.

1. Rimuovere il gruppo batteria.
2. Premere le linguette di rilascio sul fermo della bobina e rimuovere il fermo della bobina estraendolo in linea retta (Fig. H-1 e H-2).
3. Rimuovere il filo di taglio dal fermo della bobina.
4. Tenendo con una mano la base della bobina, afferrare con l'altra mano il fermo della bobina e allineare le linguette sul fermo della bobina con i fori nella base della bobina (Fig. X-1); usare il palmo della mano per premere e ruotare il fermo della bobina verso destra e verso sinistra, finché le linguette non si bloccano sulla base della bobina (Fig. X-2).
5. Ricaricare il filo di taglio.

UTILIZZO CON LA LAMA A 3 DENTI

AVVERTENZA! Per tagliare cespugli e pianticelle selvatiche, abbassare la lama a 3 denti in rotazione verso la pianticella per tagliarla. Usare il decespugliatore come una falce (facendolo dondolare verso destra e sinistra) a livello del terreno. Non usare l'unità di taglio sopra l'altezza della vita.

AVVERTENZA! Maggiore è la distanza dell'unità di taglio dal terreno, maggiore è il rischio di lesioni dovute ai residui di taglio lanciati lateralmente.

AVVERTENZA! Durante il taglio di giovani soprassuoli o altri materiali legnosi fino a 2 cm di diametro, usare il lato sinistro della lama per evitare il rischio di contraccolpo. Non tentare di tagliare materiali legnosi di diametro maggiore, perché la lama può incepparsi o spingere il decespugliatore in avanti. Ciò può danneggiare la lama o al decespugliatore o causare la perdita di controllo del decespugliatore con il rischio di lesioni.

AVVERTENZA! L'uso improprio della lama può causarne l'incrinatura, la scheggiatura o la rottura. Le parti lanciate possono ferire gravemente l'operatore o le persone presenti. Per ridurre il rischio di lesioni personali, è essenziale rispettare le precauzioni elencate di seguito.

- Evitare il contatto con oggetti estranei duri come pietre, sassi o pezzi di metallo.
- Non tagliare legno o cespugli con gambo di oltre 2 cm di diametro.
- Ispezionare la lama a brevi intervalli regolari per verificare che non sia danneggiata. Interrompere il lavoro se la lama è danneggiata.

- Riaffilare la lama regolarmente (se si è sensibilmente smussata) e farla equilibrare se necessario (l'operazione deve essere effettuata da un tecnico qualificato).

Contraccolpo della lama

Prestare particolare attenzione durante l'uso della lama a 3 denti con questa unità. Il contraccolpo della lama è una reazione che può verificarsi quando la lama in rotazione entra a contatto con un oggetto che non riesce a tagliare. Tale contatto può causare l'arresto momentaneo della lama, e un'improvvisa "spinta" dell'unità lontano dall'oggetto colpito. Tale reazione può essere così violenta da causare la perdita di controllo dell'unità. Il contraccolpo della lama può verificarsi senza preavviso se la lama si inceppa, si blocca o si piega. Il contraccolpo può verificarsi maggiormente in aree in cui è difficile vedere il materiale da tagliare. Per una taglio facile e sicuro, avvicinare il decespugliatore all'erba da tagliare da destra verso sinistra. Questa direzione di taglio può minimizzare la reazione di contraccolpo se il decespugliatore colpisce improvvisamente un oggetto o un pezzo di legno.

MANUTENZIONE

AVVERTENZA! Prima di ispezionare, pulire o regolare l'unità, arrestare il motore, attendere che tutte le parti mobili si arrestino e rimuovere il gruppo batteria. Il mancato rispetto di questa avvertenza comporta il rischio di danni o lesioni gravi.

AVVERTENZA! Per la riparazione dell'apparecchio, usare esclusivamente parti di ricambio identiche. L'uso di altri ricambi comporta situazioni pericolose o il rischio di danni all'apparecchio. Per garantire sicurezza e affidabilità, tutte le riparazioni e sostituzioni devono essere eseguite da un tecnico qualificato.

MANUTENZIONE GENERALE

Evitare l'uso di solventi durante la pulizia delle parti in plastica. La maggior parte dei materiali plastici può essere danneggiata da diversi tipi di solventi in commercio. Usare un panno pulito per rimuovere sporcizia, polvere, olio, grasso, ecc.

PULIZIA DELL'APPARECCHIO

- Dopo ogni utilizzo della lama a 3 denti / testa di taglio con filo, rimuovere detriti, terreno o erba dalla lama e dalla cuffia di protezione con una spazzola morbida.

ATTENZIONE! Quando la lama di taglio del filo diventa smussata, farla affilare da un tecnico qualificato o sostituirla con una lama nuova, se necessario.

- Dopo ogni utilizzo del decespugliatore, pulire l'unità di taglio usando un panno inumidito con del detergente neutro.
- Non usare detersivi aggressivi sulle superfici esterne in plastica o sull'impugnatura perché possono essere danneggiate da alcuni oli aromatici, come pino e limone, e da solventi come il cherosene. L'umidità comporta il rischio di scossa elettrica. Rimuovere eventuali segni di umidità con un panno asciutto e morbido.
- Usare una piccola spazzola o un piccolo aspirapolvere per pulire le aperture di ventilazione sul rivestimento posteriore.

CONSERVAZIONE DELL'APPARECCHIO

- Rimuovere il gruppo batteria dall'apparecchio.
- Indossare guanti di protezione robusti durante la pulizia dell'apparecchio.
- Installare il coprilama sulla lama a 3 denti per sicurezza (Fig. Y).
- Conservare l'apparecchio in un luogo asciutto, ben ventilato, elevato o chiuso a chiave, e fuori dalla portata dei bambini. Non conservare l'apparecchio sopra o in prossimità di fertilizzanti, benzina o altre sostanze chimiche.

Protezione dell'ambiente



Non smaltire gli apparecchi elettrici, caricabatteria e batterie/batterie ricaricabili insieme ai rifiuti indifferenziati!

Conformemente alle direttive europee 2012/19/EU e 2006/66/CE, i rifiuti di apparecchiature elettriche ed elettroniche, batterie e accumulatori devono essere raccolti separatamente e smaltiti nel rispetto dell'ambiente.

Se gli apparecchi elettrici vengono smaltiti nelle discariche, le sostanze pericolose possono infiltrarsi nelle falde acquifere e contaminare la catena alimentare, con effetti dannosi sulla salute e il benessere.

DICHIARAZIONE DI CONFORMITÀ CE

Il costruttore, EGO EUROPE GMBH

Wahlwiesenstrasse 1, D-71711 Steinheim an der Murr Deutschland

dichiara che il **DECESPUGLIATORE CON MANUBRIO E MOTORE POSTERIORE AGLI IONI DI LITIO 56 VOLT BC3800E**

è conforme ai requisiti essenziali in materia di salute e sicurezza delle seguenti direttive:

2006/42/EC, 2014/30/EU, 2011/65/EU, 2000/14/EC

Standard e specifiche tecniche conformi a:

EN ISO 11806-1, EN 60745-1, EN 55014-1, EN 55014-2, IEC 62321.

| | Testa di taglio con filo | Lama metallica a 3 denti |
|--------------------------------------|--------------------------|--------------------------|
| Livello di potenza sonora misurato: | 94,80 dB(A) | 94,04 dB(A) |
| Livello di potenza sonora garantito: | 96 dB(A) | 96 dB(A) |

La procedura di valutazione della conformità dell'Allegato VI è conforme a 2000/14/EC.

Organismo notificato: DEKRA Certification B.V. Meander 1051 / P.O. box 5185 6525 MJ ARNHEM / 6802 ED ARNHEM, Netherland

Numero organismo notificato: 0344

Peter Melrose
Direttore responsabile di
EGO Europe GmbH

Dong Jianxun
Responsabile Qualità
Chervon

* (Rappresentante autorizzato per CHERVON e responsabile della documentazione tecnica)

01/09/2017

IT

RISOLUZIONE DEI PROBLEMI**IT**

| PROBLEMA | CAUSA | SOLUZIONE |
|-----------------|--|---|
| Non si avvia. | <ul style="list-style-type: none">■ Il gruppo batteria non è installato sul decespugliatore.■ Nessun contatto elettrico tra il decespugliatore e il gruppo batteria.■ Il gruppo batteria è scarico.■ La leva di sbloccaggio e l'interruttore a grilletto non sono stati premuti contemporaneamente. | <ul style="list-style-type: none">■ Installare il gruppo batteria sull'unità motore.■ Rimuovere la batteria, ispezionare i contatti e reinstallare il gruppo batteria.■ Ricaricare il gruppo batteria con i caricabatteria EGO elencati in questo manuale.■ Tenere premuta la leva di sbloccaggio contemporaneamente all'interruttore a grilletto. |
| Si arresta. | <ul style="list-style-type: none">■ Il motore è sovraccarico.■ È in uso un filo di taglio troppo spesso.■ Il gruppo batteria o il decespugliatore sono troppo caldi.■ Il gruppo batteria non è installato sull'apparecchio.■ Il gruppo batteria è scarico. | <ul style="list-style-type: none">■ Il motore si riavvierà alla rimozione del carico. Per l'uso continuo, diminuire il carico sull'unità motore.■ Utilizzare esclusivamente filo di taglio standard in nylon con diametro non superiore a 2,4 mm.■ Attendere che la temperatura del gruppo batteria o dell'unità motore scenda al di sotto di 67°C.■ Reinstallare il gruppo batteria.■ Ricaricare il gruppo batteria con i caricabatteria EGO elencati in questo manuale. |

| PROBLEMA | CAUSA | SOLUZIONE |
|--|---|--|
| Non è possibile allungare il filo della testa di taglio (solo per l'uso con testa di taglio con filo). | <ul style="list-style-type: none"> ■ L'albero motore o la testa di taglio sono bloccati dall'erba. ■ La bobina non contiene abbastanza filo. ■ La testa di taglio è sporca. ■ Il filo è impigliato sulla bobina. ■ Il filo è troppo corto. | <ul style="list-style-type: none"> ■ Arrestare l'apparecchio, rimuovere la batteria e rimuovere l'erba dall'albero di comando e dalla testa di taglio. ■ Rimuovere la batteria e sostituire il filo di taglio. Seguire le istruzioni alla sezione SOSTITUZIONE DEL FILO in questo manuale. ■ Rimuovere la batteria e pulire la bobina, il fermo della bobina e la base della bobina. ■ Rimuovere la batteria, rimuovere il filo dalla bobina e riavvolgerlo. Seguire le istruzioni alla sezione SOSTITUZIONE DEL FILO in questo manuale. ■ Rimuovere la batteria, quindi tirare il filo e nel contempo premere e rilasciare il pulsante di rilascio del filo. |

GARANZIA

CONDIZIONI DELLA GARANZIA EGO

Visitare il sito web egopowerplus.com per consultare le condizioni complete della garanzia EGO.

LEES ALLE INSTRUCTIES!



LEES DE GEBRUIKERSHANDLEIDING

⚠ Restrisico! Personen met elektronische apparaten, zoals pacemakers, moeten eerst hun art(sen) raadplegen voordat ze dit product mogen gebruiken. De werking van een elektrisch apparaat in de nabijheid van een pacemaker kan een storing of defect aan de pacemaker veroorzaken.

⚠ WAARSCHUWING: Om de veiligheid en betrouwbaarheid continu te kunnen waarborgen, dienen alle reparaties en vervangingen van onderdelen uitgevoerd te worden door een vakbekwame reparateur.

VEILIGHEIDSSYMBOLEN

Het doel van de veiligheidssymbolen is om u te wijzen op mogelijke gevaren. Besteed daarom voldoende aandacht hieraan en begrijp de veiligheidssymbolen en bijbehorende uitleg. De symboolwaarschuwingen op zich elimineren geen enkel gevaar. De gegeven instructies en waarschuwingen gelden niet als vervanging voor gepaste voorzorgsmaatregelen tegen ongevallen.

⚠ WAARSCHUWING: Lees en begrijp alle veiligheidsinstructies die in deze gebruikershandleiding zijn vermeld, waaronder alle veiligheidssymbolen zoals „GEVAAR“, „WAARSCHUWING“, en „OPGELET“ voordat u dit gereedschap in gebruik neemt. Het negeren van onderstaande instructies kan leiden tot elektrische schokken, brand en/of ernstig persoonlijk letsel.

BETEKENIS VAN DE SYMBOLEN

⚠ VEILIGHEIDS-WAARSCHUWINGSSYMBOL: De indicatie GEVAAR, WAARSCHUWING of OPGELET kunnen in combinatie met andere symbolen of pictogrammen worden gebruikt.



⚠ WAARSCHUWING: De werking van elektrisch gereedschap kan leiden tot het rondslingeren van (vreemde) objecten die in uw ogen kunnen terechtkomen. Dit kan leiden tot ernstig oogletsel. Wanneer u elektrische apparaten gebruikt, zorg er dan voor dat u altijd een veiligheidsbril (met zijkusschermen) of een gelaatsscherm draagt. We raden aan om een gelaatsscherm over uw bril of standaard veiligheidsbril met zijkusschermen te gebruiken.

VEILIGHEIDSVoORSCHRIFTENS

Deze pagina toont en beschrijft alle veiligheidssymbolen die zich op dit product kunnen bevinden. Lees, begrijp en volg alle instructies op de machine voordat u deze in elkaar zet en gebruikt.

| | | |
|--|---------------------------------------|---|
| | Veiligheidsvoorschriften | Geeft een risico op persoonlijk letsel aan. |
| | Lees de gebruikershandleiding | De gebruiker dient de gebruiksaanwijzing voor het gebruik van dit product te lezen en te begrijpen om risico op letsel te beperken. |
| | Draag oogbescherming | Draag altijd een veiligheidsbril met zijkusschermen en een gelaatsscherm als u dit product gebruikt. |
| | Draag oorbescherming | Draag altijd gehoorbescherming (oordopjes of geluiddempers) om uw gehoor te beschermen. |
| | Draag hoofdbescherming | Draag een goedgekeurde veiligheidshelm om uw hoofd te beschermen. |
| | Draag veiligheidshandschoenen | Bescherm uw handen met handschoenen bij de omgang met het mes of mesbeschermer. Robuuste, niet glijdende handschoenen verbeteren uw grip en beschermen uw handen. |
| | Draag veiligheidsschoenen | Draag slipvrije veiligheidsschoenen als u dit apparaat gebruikt. |
| | Houd rekening met de druk van het mes | Waarschuw de gebruiker voor gevaar door de druk van het mes. |

| | | |
|----------|--|--|
| | Afketsen en houd omstanders uit de buurt | Rondvliegende voorwerpen kunnen terugkaatsen wat tot persoonlijk letsel en materiële schade kan leiden. Zorg dat andere personen en huisdieren uit de buurt blijven van de bosmaaier wanneer deze in gebruik is. |
| | Houd omstanders uit de buurt | Zorg ervoor dat andere personen en huisdieren zich op minstens 15m afstand van de grastrimmer bevinden wanneer deze in gebruik is. |
| | Geen rond mes | Installeer geen ronde messen. |
| | Niet aan regen blootstellen | Niet in de regen gebruiken en niet buiten achterlaten als het regent. |
| | CE | Dit product is in overeenstemming met de EG-richtlijnen. |
| | WEEE | Gooi elektrisch afval niet via het huishoudelijk afval weg. Breng het naar een geautoriseerd recyclingbedrijf. |
| | Geluidniveau | Gewaarborgd geluidsvermogensniveau. Geluidsemissie voor de omgeving in overeenstemming met de richtlijnen van de Europese Unie. |
| V | Volt | Spanning |
| | Gelijkstroom | Stroomtype of -karakteristiek |
| n_0 | Snelheid zonder belasting | Draaisnelheid, zonder belasting |
| ... /min | Per minuut | Toeren per minuut |

BELANGRIJKE VEILIGHEIDSLINSTRUCTIES

⚠ WAARSCHUWING! Tijdens het gebruik van dit product, moeten de volgende standaard veiligheidsmaatregelen in acht worden genomen om het risico op brand, elektrische schokken en persoonlijk letsel te vermijden:

GRONDIG LEZEN VOOR GEBRUIK

BEWAAR VOOR LATERE RAADPLEGING

⚠ GEVAAR! Vertrouw niet op de isolatie van het gereedschap om elektrische schokken te voorkomen. Om het risico op elektrocutie te beperken, mag u de machine nooit in de buurt van bedrading of kabels (stroom, etc.) die onder elektrische stroom staan gebruiken.

⚠ OPGELET! Draag gepaste persoonlijke gehoorbescherming tijdens het gebruik. Onder bepaalde omstandigheden en afhankelijk van de gebruiksduur kan het lawaai dat dit product produceert tot gehoorverlies leiden.

OPLEIDING

- Lees de instructies aandachtig door. Maak u vertrouwd met de bedieningsknoppen en het juiste gebruik van de apparaat.
- Kinderen of personen die de instructies niet kennen mogen dit apparaat niet gebruiken. De lokale wetgeving kan de leeftijd van de bediener begrenzen.
- Onthoud dat de bediener of gebruiker verantwoordelijk is voor ongevallen of gevaren die zich bij ander personen of hun eigendommen voordoen.

VOORBEREIDING

- Gebruik het apparaat nooit als er zich mensen, in het bijzonder kinderen, of huisdieren in de buurt bevinden.
- Draag altijd oogbescherming en stevige schoenen wanneer u dit product gebruikt.
- De afstand tussen de machine en de omstanders mag niet minder dan 15m bedragen.

GEBRUIK

- Gebruik de bosmaaier alleen bij daglicht of voldoende kunstmatig licht.
- Gebruik de bosmaaier nooit met beschadigde schermen of zonder dat de schermen gemonteerd zijn.
- Schakel de motor alleen in wanneer uw handen en voeten zich uit de buurt van het snijelement bevinden.

- Ontkoppel altijd de bosmaaier van de voeding (d.w.z. verwijder het accupack),
 - als u de bosmaaier zonder toezicht achter laat;
 - voor het verwijderen van een verstopping;
 - voor het controleren, reinigen of onderhouden van de bosmaaier;
 - na het raken van een vreemd voorwerp;
 - telkens de bosmaaier overmatig trilt.
- Zorg dat u geen letsel oploopt aan uw handen en voeten door het snijelement.
- Zorg dat de ventilatieopeningen altijd vrij van vuil zijn.

NL

ONDERHOUD EN OPSLAG

- Ontkoppel de bosmaaier altijd van de voeding (d.w.z. verwijder het accupack) alvorens schoon te maken of te onderhouden.
- Gebruik alleen reserve-onderdelen of accessoires die door de fabrikant zijn aanbevolen.
- Controleer en onderhoud de bosmaaier regelmatig. Laat het apparaat alleen door een erkende monteur repareren.
- Wanneer niet in gebruik, dient u de bosmaaier buiten het bereik van kinderen op te bergen.

ANDERE VEILIGHEIDSWAARSCHUWINGEN

- **Houd kinderen uit de buurt** - Alle omstanders moeten zich op minstens 100 feet (30 meter) afstand van het werkgebied bevinden.
- **Vermijd gevaarlijke omgevingen** - Gebruik apparaten niet op een vochtige of natte helling.
- **Schakel de bosmaaier altijd uit of verwijder het accupack wanneer u de gereedschap zonder toezicht achterlaat.**
- **Niet gebruiken als het regent.**
- **Zorg voor gepaste kleding** - Draag geen los zittende kleding, sieraden, korte broeken, sandalen of zelfs met blote voeten. Deze kunnen in de bewegende onderdelen vast komen te zitten. Draag altijd een stevige, lange broek en een shirt met lange mouwen. Rubber handschoenen en stevig schoeisel worden aanbevolen wanneer u buitenshuis werkt. Draag een beschermende haarafdekking om lang haar veilig boven schouderhoogte te houden.
- **Gebruik een veiligheidsbril** - Gebruik altijd een gezichts- of stofmasker wanneer u werkzaamheden uitvoert die veel stof veroorzaken.
- **Gebruik het gepaste gereedschap** - Gebruik het gereedschap alleen waarvoor het is bedoeld.

- **Forceer de bosmaaier niet** - De taak zal beter uitgevoerd worden en met minder kans op letsel als het gereedschap wordt gebruikt met de snelheid waarvoor het ontworpen is.
- **Reik niet te ver** - Zorg er altijd voor dat u stevig en stabiel staat.
- **Blijf alert** - Let op wat u doet. Gebruik uw gezond verstand. Gebruik de bosmaaier niet als u moe bent.
- **Gebruik de bosmaaier niet als u onder de invloed van alcohol of drugs bent.**
- **Houd de schermen op hun plaats en in een goede staat.**
- **Houd handen en voeten uit de buurt van het snijbereik.**
- **Berg de bosmaaier binnenshuis op** - Berg de bosmaaier op in een droge, hoge of vergrendelde ruimte met het accupack verwijderd, en buiten het bereik van kinderen wanneer hij niet in gebruik is.
- **Draag zorg voor uw bosmaaier** - Houd het snijelement schoon voor de beste prestaties en om het risico op letsel te beperken. Volg de instructies over het vervangen van accessoires. Houd de handvatten droog, schoon en vrij van olie en smeervet.
- **Controleer op beschadigde onderdelen** - Voordat u de bosmaaier verder gebruikt, dient een scherm of een ander beschadigd onderdeel grondig gecontroleerd te worden om vast te stellen, of alles naar behoren zal werken en de beoogde functie naar behoren uit zal voeren. Controleer de uittijning van de bewegende onderdelen, de verbinding van de bewegende onderdelen, breuk van onderdelen of andere condities die de werking kunnen beïnvloeden. Laat een beschadigd scherm of ander onderdeel op de juiste wijze repareren of vervangen door een bevoegd servicecentrum tenzij anders aangegeven in deze gebruiksaanwijzing.
- **Zorg ervoor dat alle bevestigingen op hun plek zitten en vast zijn. Zorg ervoor dat het scherm van het snij-accessoire correct is bevestigd en op de door de fabrikant aangeraden positie zit.**
- **Voor gebruik dient u alle mogelijke obstakels uit de te maaien zone te verwijderen.** Verwijder voorwerpen zoals stenen, gebroken glas, spijkers, draad of koorden, die rond kunnen slingeren of in het snij-accessoire terecht kunnen komen. Zorg dat er zich geen kinderen, omstanders of huisdieren in de omgeving bevinden. Houd kinderen, omstanders en dieren op minstens 15 m (50 ft) afstand; buiten de zone van 15 m (50 ft) bestaat nog altijd een risico op letsel door rondvliegende objecten. Omstanders worden aangespoord om oogbescherming te dragen.



- **Voordat u de bosmaaier gebruikt en na iedere impact, dient u op tekenen van slijtage of schade te controleren en indien nodig te repareren.**
- **Houd de bosmaaier tijdens het gebruik altijd stevig vast, met beide handen op de handvatten. Leg uw vingers en duimen om de handvatten.**
- **Voorkom ongewenst starten** - Draag de bosmaaier niet met uw vingers op de trekker.
- **Gebruik de bosmaaier niet in een explosieve atmosfeer of in een ruimte waar gassen aanwezig zijn.** De motor in dit apparaat kan vonken produceren. Deze vonken kunnen dampen in brand steken.
- **Schade aan de bosmaaier** - Als u een vreemd voorwerp met de bosmaaier raakt of als de bosmaaier vast komt te zitten, dient u het gereedschap onmiddellijk uit te schakelen, het accupack uit de bosmaaier te verwijderen en op schade te controleren en de schade te laten verhelpen voordat u het opnieuw gebruikt. Niet gebruiken met een beschadigde bescherming of mes.
- **Als het gereedschap abnormaal trilt, dient u de motor te stoppen, het accupack van de bosmaaier te verwijderen en direct op zoek te gaan naar de oorzaak.** Trillingen duiden normaal gesproken op een storing. Een losse snij-eenheid kan trillen, barsten, breken of van de bosmaaier los komen, wat tot ernstig letsel of de dood kan leiden. Zorg dat de snij-eenheid juist is geïnstalleerd en veilig is vastgemaakt. Als de snij-eenheid na bevestiging op de juiste positie loskomt, dient u het onmiddellijk te vervangen. Gebruik nooit een bosmaaier met een losse snij-eenheid.
- **Vervang een gebarsten, beschadigde of versleten snij-eenheid onmiddellijk, zelfs al is de schade beperkt tot oppervlakkige barstjes.** Een dergelijke eenheid kan bij een hoge snelheid uiteenspatten en tot ernstig letsel of de dood leiden.
- **Om het risico op letsel te voorkomen, mag u nooit op een ladder of een andere onveilige steun werken. Houd de snij-eenheid nooit boven heuphoogte.**
- **Gebruik nooit andere draden in plaats van de nylon snijdraden, stukken draad kunnen afbreken en met hoge snelheid in richting van de bediener of omstanders vliegen.**
- **Handhaaf een stevige houding en houd uw evenwicht.** Leun niet te ver naar één kant. Houd de snij-eenheid niet boven heuphoogte. Houd alle lichaamsdelen uit de buurt van de draaiende snij-eenheid.
- **Controleer de snij-eenheid regelmatig tijdens het gebruik of onmiddellijk nadat een duidelijke wijziging van de snijprestaties optreedt.**
- **Gebruik alleen door EGO geautoriseerde polymeer trimmerdraad- en snij-accessoires, trimmerdraad en mes welke zijn ontworpen voor het gebruik met deze bosmaaier. Niet geautoriseerd toebehoren kan extreem gevaarlijk zijn en/of het gereedschap beschadigen.**
- **Als iemand in de buurt komt, dient u de motor en snij-eenheid te stoppen.**
- **Waarschuw de bediener voor het gevaar dat het blad terug kaatst (alleen voor het gebruik met 3-tands mes).**
 - Een terugkaatsen van het mes kan gebeuren als het draaiende mes contact heeft met een voorwerp dat niet direct kan worden gesneden.
 - Het terugkaatsen van het mes kan ernstig genoeg zijn om het apparaat en/of de gebruiker in een willekeurige richting te slingeren, waardoor de controle over het apparaat kan worden verloren.
 - Het terugkaatsen van het mes kan zonder waarschuwing gebeuren als het mes ergens aan vast blijft hangen, afslaat of vast raakt.
 - Het terugkaatsen van het mes gebeurt eerder in een gebied waar het moeilijk te zien is, welk materiaal wordt gesneden.
- **Bevestig geen mes aan een eenheid zonder een correcte installatie van alle benodigde onderdelen. Door niet de juiste onderdelen te gebruiken, kan het mes eraf vliegen en ernstig letsel veroorzaken bij de gebruiker en/of omstanders. Verwijder gebogen, vervormde, gescheurde, gebroken of op welke manier dan ook beschadigde messen. Gebruik een scherp mes. Een bot mes klemt eerder vast of kaatst terug (gebruik alleen een 3-tands mes).**
- **Gooi het accupack op een veilige manier weg.**
- **Een mes/draad met naloop kan letsel veroorzaken terwijl het nog verder draait nadat de motor is uitgeschakeld of de schakelaar is losgelaten. Zorg voor een goede controle totdat het mes/de draad compleet stil staat.**
- **Laad het accupack niet op als het regent of in een natte omgeving.**
- **Alleen met de onderstaande EGO accupacks en laders gebruiken:**

| ACCUPACK | OPLADER |
|---|--------------------|
| BA1120E, BA1400, BA2240E, BA2800, BA3360, BA4200, BAX1300 | CH2100E CH5500E |

- **Haal het accupack uit het apparaat alvorens het apparaat af te voeren.**
- **Gooi de accu niet in vuur.** De batterijen kunnen ontploffen. Raadpleeg de lokale wetgeving voor eventuele speciale verwijderingsvoorschriften.
- **Open of beschadig de accu niet.** Vrijgekomen elektrolyt is corrosief en kan letsel aan de ogen en huid veroorzaken. Het kan giftig zijn wanneer het wordt ingeslikt.
- **Wees voorzichtig wanneer u accu's gebruikt. Sluit de accu nooit kort met geleidende materialen zoals ringen, armbanden of sleutels.** De accu of de geleider kan oververhitten en brandwonden veroorzaken.
- **Reserveonderdelen** - Bij reparatie mag u uitsluitend identieke EGO reserveonderdelen gebruiken. Het gebruik van andere accessoires of opzetstukken kan het risico op letsel verhogen.
- **Accugereedschap moet niet op een stopcontact worden aangesloten en is daarom altijd gereed voor gebruik.** Let op voor mogelijke gevaren, zelfs wanneer het gereedschap niet in gebruik is. Let op wanneer u onderhoud aan het gereedschap uitvoert.
- **Verwijder of ontkoppel de accu voor onderhoud, reiniging of verwijdering van vastzittend materiaal uit de bosmaaier.**
- **Reinig het gereedschap niet met een slang. Zorg dat de motor of elektrische componenten niet met water in aanraking komen.**
- **Als er zich situaties voordoen die niet in deze handleiding worden behandeld, dient u uw gezond verstand te gebruiken. Neem contact op met het EGO klantenservice als u hulp nodig heeft.**

BEWAAR DEZE GEBRUIKSAANWIJZING!

SPECIFICATIES

| | | | |
|--|--|--|---|
| Snij-eenheid | Trimmer head | 3-tands meta- len mes | |
| Spanning | 56 V  | 56 V  | |
| Snelheid zonder belasting | 4500-6000/min | 4500-6000/min | |
| Type snijdraad | 2,4mm ge- draaide nylon draad | / | |
| Zaagblad | / | ABB1203 | |
| Snijbreedte | 38 cm | 30 cm | |
| Gewicht (Zonder accu) | 4,35 kg | 4,64 kg | |
| Gemeten geluidsver- mogensniveau L_{WA} | 94,80 dB(A) K=1,01 dB(A) | 94,04 dB(A) K=1,71 dB(A) | |
| Geluidsdruk-niveau aan de positie van de bediener L_{PA} | 80,2 dB(A) K=2,5 dB(A) | 80,0 dB(A) K=4,1 dB(A) | |
| Gegarandeerd gelu- idsvermogensniveau L_{WA} (gemeten volgens 2000/14/EG) | 96 dB(A) | 96 dB(A) | |
| nschatting van de vibra- tie a_h | lLinker handvat | 2,28 m/s ² ; K=1,5 m/s ² | 1,55 m/s ² ; K=1,5 m/s ² |
| | Rechter handvat | 2,38 m/s ² ; K=1,5 m/s ² | 1,88 m/s ² ; K=1,5 m/s ² |

- De opgegeven totale vibratiewaarde is gemeten volgens de standaard testmethode en kan worden gebruikt om het apparaat met een ander apparaat te vergelijken;
- De opgegeven totale vibratiewaarde kan ook worden gebruikt in een voorafgaande beoordeling op blootstelling.

OPMERKING: De vibratie-afgifte tijdens het werkelijk gebruik van het elektrisch gereedschap kan verschillen van de opgegeven totale waarde; Om de bediener te beschermen dient de gebruiker tijdens het gebruik handschoenen en gehoorbescherming te dragen.

INHOUD VAN DE VERPAKKING

| OMSCHRIJVING VAN DE ONDERDELEN | AANTAL |
|--------------------------------|--------|
| Bosmaaier | 1 |
| 3-tands mes met bescherming | 1 |
| Schermbeschermer | 1 |
| Moer | 1 |
| Buitenflens | 1 |
| Binnenzeskantsleutel | 1 |
| Multifunctionele sleutel | 1 |
| Dubbele schouderriem | 1 |
| Gebruikersaanwijzing | 1 |

BESCHRIJVING

KEN UW BOSMAAIER (afb. A)

1. Hendel voor de snelheidsbegrenzing
2. Ontgrendelingshendel
3. Vleugelmoer
4. Schakelaar
5. Stuurgreep
6. Schacht
7. Snijdraad
8. Scherm
9. Maaikop
10. Afdichtschroef
11. Schachtvergrendelingsgat
12. Schermstuk
13. Multifunctionele sleutel
14. Binnenzeskantsleutel
15. 3-tands mes
16. Buitenflens
17. Moer
18. Ontgrendelingsknop
19. Rubberen protector
20. Vergrendeling
21. Elektrische contacten
22. Uitwerpmechanisme
23. Gesp van de riem
24. Heupkussen

⚠ WAARSCHUWING: Gebruik het gereedschap nooit zonder juist gemonteerd scherm. Het scherm moet zich altijd op het gereedschap bevinden om de gebruiker te beschermen.

⚠ WAARSCHUWING: Als het gereedschap is voorzien van een maaikop, dient het schermaccessoire met lijntrimmer op het scherm te worden gemonteerd. Als u dit niet in acht neemt, leidt dit tot een extreem lange snijdraad en een overbelasting van de motor. Gebruik de maaikop nooit zonder schermaccessoire.

MONTAGE

⚠ WAARSCHUWING: Als er onderdelen beschadigd zijn of ontbreken, gebruik deze bosmaaier dan niet totdat alle onderdelen vervangen of aanwezig zijn. Het gebruik van deze bosmaaier met beschadigde of ontbrekende onderdelen kan ernstig persoonlijk letsel veroorzaken.

⚠ WAARSCHUWING: Probeer niet om de bosmaaier aan te passen of accessoires te maken die niet voor gebruik met dit product worden aanbevolen. Een dergelijke aanpassing of wijziging is misbruik en kan leiden tot gevaar en mogelijk ernstig persoonlijk letsel.

⚠ WAARSCHUWING: Draag altijd stevige handschoenen als u de beschermer installeert of verwijderd of als u het 3-tands mes/de draadsnijder onderhoudt. Wees voorzichtig bij de draadsnijder op het scherm-accessoire / het 3-tands mes om uw handen te beschermen tegen letsel door beide messen.

⚠ WAARSCHUWING: Om het toevallig starten van het apparaat, dat ernstig persoonlijk letsel kan veroorzaken te voorkomen, dient u altijd de accu uit het apparaat te verwijderen voordat u onderdelen monteert of het apparaat transporteert.

⚠ WAARSCHUWING: Gebruik het gereedschap nooit zonder juist gemonteerd scherm en stuurgreep. Het niet in acht nemen kan dit leiden tot mogelijk ernstig persoonlijk letsel.

DE STUURGREEP MONTEREN EN AANPASSEN

De bosmaaier wordt opgeslagen zoals te zien in afb. B. Eerst dient u de vleugelmoer van het scharnier los te draaien en vervolgens de stuurgreep 180° rond de schacht (afb. C) te tillen, draai hem 90° linksom om hem richting de aantikknop te draaien (afb. D). Tenslotte beweegt u hem naar voren en achteren om een prettige werkpositie te bereiken, waarna u de bout weer vast draait.

OPMERKING: Het apparaat mag alleen met de stuurgreep haaks op de schacht gemonteerd worden gebruikt.

HET SCHERM MONTEREN

Maak de twee schroeven los en verwijder ze van de basis (afb. E), breng de bevestigingsgaten in één lijn met de montagegaten en maak vervolgens de bescherming vast met de twee schroeven, samen met de onderlegplaatjes (afb. F).

Zorg ervoor dat het scherm volgens afb. E & F is bevestigd; een andere bevestiging kan groot gevaar veroorzaken!

VERVANGEN VAN DE MAAIKOP DOOR HET 3-TANDS MES

Ken de maaikop en volg de stappen zoals weergegeven in afb. H-1 afb. H-4 (zie sectie "vervangen van de draad") om de maaikop te demonteren (afb. G). Om het mes te monteren dient u de volgende stappen uit te voeren:

1. De metalen mes-eenheid monteren (afb. I).
2. Verwijder het scherm-accessoire door de drie schroeven met sluitringen los te draaien (afb. J).
3. Het mes wordt getransporteerd met een bescherming. Voordat u het mes monteert aan de bosmaaier, dient u de bescherming te verwijderen door de klemblok van de haak aan de bescherming te verwijderen (afb. K).

Afb. G-K beschrijving van de onderdelen zie beneden:

| | | | |
|-----|--------------------|-----|----------------------------|
| G-1 | Binnenflens | I-3 | Flensafdekking |
| G-2 | Flensafdekking | I-4 | 3-tands mes |
| G-3 | Bovenste behuizing | I-5 | Buitenflens |
| G-4 | Sluitring | I-6 | Moer |
| G-5 | Moer | I-7 | Sleuf in de flens |
| G-6 | Veer | J-1 | Mes voor knippen van draad |
| G-7 | Snijdraad | J-2 | Schermsstuk |
| G-8 | Onderste behuizing | K-1 | Klemblok |
| I-1 | Motorschacht | K-2 | Haak |
| I-2 | Binnenflens | | |

OPMERKING: Om tegen letsel te beschermen, dient u handschoenen te dragen alvorens welke actie dan ook uit te voeren aan het 3-tands mes.

4. Draai de motorschacht om de sleuf in de binnenflens met het gat in het schachtvergrendelingsgat in de tandwielkast in één lijn te brengen (afb. L).

5. Steek de binnenzeskantsleutel in de zich op een lijn bevindende gaten zodat deze als stabilisator kan fungeren (afb. M).

Afb. L & M beschrijving van de onderdelen zie beneden:

| | | | |
|-----|---|-----|--------------|
| L-1 | Tandwielkast | L-3 | Motorschacht |
| L-2 | In lijn bevindende schachtvergrendelingsgaten | M-1 | Stabilisator |

6. Monteer het mes op de motorschacht, zorg ervoor dat het oppervlak van het mes in lijn is met het oppervlak van de binnenflens uitstulping. Bevestig de buitenflens en de moer (afb. N). Maak de moer alvast met de hand LINKSOM vast.

Afb. N beschrijving van de onderdelen zie beneden:

| | |
|-----|-------------|
| N-1 | Moer |
| N-2 | Buitenflens |
| N-3 | 3-tands mes |

7. Positioneer de tandwielkast tegen een stevig oppervlak voor steun. Met één hand houdt u de bosmaaier vast en met de andere hand pakt u de multifunctionele sleutel om de moer vast te draaien in de richting van het pijlcoon op de buitenflens (afb. O).

GEBRUIK VAN HET SCHERM-ACCESSOIRE

OPMERKING: Als de bosmaaier voorzien is van een maaikop, dient het beschermingsaccessoire te worden bevestigd op de bescherming.

Zeker het scherm-accessoire op het scherm door de drie schroeven met behulp van de binnenzeskantsleutel vast te draaien omdat de draadsnijder is voorzien van het scherm-accessoire. Als u dit niet in acht neemt, kan dit tot een extreem lange snijdraad en een overbelasting van de motor leiden.

GEBRUIK

⚠ WAARSCHUWING: Wordt niet achteloos naarmate u het product beter kent. Denk eraan dat een seconde van achteloosheid voldoende is om ernstig letsel te veroorzaken.

⚠ WAARSCHUWING: Draag altijd oogbescherming, samen met gehoorbescherming. Het niet dragen van deze beschermingsuitrusting kan ertoe leiden dat voorwerpen in uw ogen terechtkomen of kan mogelijk ander ernstig letsel veroorzaken.

⚠ WAARSCHUWING: Gebruik geen toebehoren of accessoires die niet door de fabrikant van dit product zijn aanbevolen. Het gebruik van niet aanbevolen toebehoren of accessoires kan leiden tot ernstig persoonlijk letsel.

APPLICATIES

U kunt de bosmaaier gebruiken voor onderstaand vermeld doeleinde:

- **Met 3-tands metalen mes:** Snijden van gras, onkruid, wildgroei en struikgewas, uitdunnen van jonge planten met een maximale diameter van 2 cm.
- **Met maaikop:** Gras en onkruid trimmen rond veranda's, heggen en terrassen.

OPMERKING: Het gereedschap mag alleen voor het voorheen genoemde doeleinde worden gebruikt. Ieder ander gebruik is in dit geval misbruik.

HET ACCUPACK INSTALLEREN/VERWIJDEREN

Voor de eerste ingebruikname volledig opladen.

Bevestigen

Breng de geleider van de accu overeen met de montagesleuven en druk het accupack naar beneden totdat u „klik“ hoort (afb. P).

Verwijderen

Druk de accu-ontgrendelingsknop naar beneden en haal het accupack eruit (afb. Q).

Afb. P beschrijving van de onderdelen zie beneden:

| | |
|-----|--------------|
| P-1 | Montagesleuf |
| P-2 | Geleider |

BEVESTIGING VAN DE DUBBELE SCHOUDERRIEM AAN DE BEVESTIGING VAN HET APPARAAT

Draag de dubbele schouderriem en steek de twee delen van de riemgesp in elkaar totdat u een klik hoort (afb. R-1). Breng de haak van het heupkussen in één lijn met het gat van de clip die zich aan de schacht bevindt en druk de schacht vervolgens zachtjes naar beneden (afb. R-2 & R-3 & R-4).

Houd de grastrimmer met beide handen vast aan de rechterkant van uw lichaam (afb. S). De maaikop of het mes dienen zich parallel ten opzichte van de boden op een behoorlijke snijafstand te bevinden, zonder dat de bediener naar voren buigt.

U kunt de bosmaaier op twee manieren los maken: Maak de riemgesp los (afb. T) of druk de haak van de riem en haal hem van de clip waarmee hij aan de schacht is gefixeerd (afb. R-2).

⚠ WAARSCHUWING: Als er sprake is van een noodgeval, dient u hem direct van uw schouder te nemen, ongeacht hoe u de riem draagt. Maak de riemgesp los (afb. T) en beide handen nemen de riemen van de schouders als een snelle methode.

⚠ WAARSCHUWING: Gebruik de enkele en dubbele schouderriem niet tegelijkertijd.

DE BOSMAAIER STARTEN/STOPPEN

Starten

Duw de ontgrendelingshendel in en houd deze in positie. Druk de schakelaar om te beginnen (afb. U).

Het veranderen van de druk op de schakelaar heeft een variabele rotatiesnelheid van de snij-eenheid tot gevolg. Indien nodig past u de snelheidshendel aan om de maximale snelheid in te stellen.

OPMERKING: De snelheidshendel kan eveneens worden ingesteld om het bewegen van de schakelaar te beperken.

Stoppen

Laat de schakelaar los.

OPMERKING: De motor draait alleen wanneer de ontgrendelingshendel en schakelaar beiden gedrukt worden.

⚠ WAARSCHUWING: Haal altijd het accupack uit de grastrimmer wanneer u een pauze inlast of na gebruik van het gereedschap.

HET APPARAAT GEBRUIKEN

⚠ WAARSCHUWING: Draag gepaste kleding om het risico op letsel tijdens gebruik van de bosmaaier te beperken. Draag geen los hangende kleding of juwelen. Draag oog- en oorbescherming. Draag een stevige lange broek, laarzen en handschoenen. Draag geen korte broek, sandalen of loop niet op blote voeten.

Voor het gebruik dient u eerst te kijken of uw werkgebied vrij is van personen, dieren of losse voorwerpen. Zorg ervoor dat zij zich op minstens 15 m afstand bevinden. En let vervolgens op de oogbescherming, correcte kleding en een uitgebalanceerde stand.

Voor elk gebruik dient u te controleren op beschadigde/versleten onderdelen. Controleer de maaikop, het 3-tands mes, beschermer, bescherm-accessoire, stuurgreep en dubbele schouderriem en vervang alle onderdelen die gebarsten, scheef getrokken, gebogen of beschadigd zijn. De draadsnijder op de rand van het scherm-accessoire kan na verloop van tijd bot worden. Het is aanbevolen om het mes regelmatig met een vijl te slijpen of door een nieuw mes te vervangen.

NL

Maak de bosmaaier na elk gebruik schoon

GEBRUIK MET DE MAAIKOP

De lengte van de snijdraad aanpassen

De maaikop stelt de bediener in staat om meer snijdraad vrij te geven zonder de motor te moeten stoppen. Als de snijdraad uitgerafeld of versleten raakt, kunt u extra draad vrijgeven door de aantikknop tijdens gebruik van de trimmer voorzichtig tegen de grond te tikken (afb. V).

OPMERKING: Het vrijgeven van draad wordt moeilijker als de snijdraad te kort wordt.

⚠ WAARSCHUWING: Verwijder of pas de draadsnijder niet aan. Een te lange snijdraad zal de motor oververhitten wat tot ernstig persoonlijk letsel kan leiden.

De draad vervangen

OPMERKING: Gebruik altijd de geadviseerde nylon snijdraad met een diameter die niet groter is dan 2,4 mm. Het gebruik van een andere dan aangegeven draad kan ertoe leiden, dat de bosmaaier oververhit of beschadigd raakt.

⚠ WAARSCHUWING: Gebruik nooit metaal versterkte draad, koord of touw, etc. Deze kan afbreken en een gevaarlijk projectiel worden.

1. Verwijder het accupack.
2. Verwijder indien nodig de overgebleven snijdraad.
3. Draai de spoelhouder in de richting van de pijl, indien nodig, om de LOAD draad op de spoel van de houder in een lijn te brengen met de gaten in de basis van de spoel (afb. W-1).
4. Snij 5m af van de snijdraad en steek de draad in het bevestigingsgat in het oogje (afb. W-2). Druk en trek de draad van de andere kant totdat aan beide zijden van de spoel evenveel draad is (afb. W-3).
5. Druk, terwijl u de spoelhouder in de richting van de pijl draait, om de draad op de spoel te draaien totdat ongeveer 14 cm van de draad aan iedere kant uitsteekt (afb. W-4).
6. Druk de spoelhouder naar beneden terwijl u met de hand aan de draden trekt om de draden naar voren te halen en om te kijken of de maaikop goed zit.

Als de draad aan de uitgang breekt of als de draad niet verder loopt of vast zit als u tegen de maaikop tikt, dient u de volgende stappen uit te voeren:

1. Verwijder het accupack.
2. Druk op de klemcontacten van de spoelhouder en verwijder de vastzetting van de spoel door deze omhoog eruit te trekken (afb. H-1 & H-2).
3. Verwijder de draad van de spoelhouder.

4. Terwijl u met de ene hand de spoelbasis vast houdt, gebruikt u de andere hand om de spoelhouder vast te pakken en brengt u de gaten van de spoelhouder in één lijn met de gaten in de spoelbasis (afb. X-1); Gebruik uw handpalm om de spoelhouder te drukken en naar links en rechts te draaien totdat de contacten in de spoelbasis vast klikken (afb. X-2).
5. Plaats een nieuwe snijdraad.

GEBRUIK MET 3-TANDS MES

⚠ WAARSCHUWING: Om wildgroei en struikgewas te snijden, laat u het 3-tands mes op de groei zakken om een snij-effect te bereiken. Gebruik de bosmaaier als een zeis (beweeg hem van rechts naar links) boven de grond. Gebruik het snij-element nooit boven heuphoogte.

⚠ WAARSCHUWING: Hoe hoger de snij-eenheid van de grond is, des te groter is het risico op letsel door wegslingerend snijafval.

⚠ WAARSCHUWING: Als u jonge planten of houtachtig materiaal met een diameter van maximaal 2 cm snijdt, dient u de linkerkant van het mes te gebruiken om te voorkomen dat het mes terugkaatst. Probeer geen houtachtig materiaal met een grotere diameter te snijden, aangezien het mes vast kan raken of de bosmaaier naar voren kan trekken. Dit kan schade aan het blad of de bosmaaier veroorzaken of ervoor zorgen, dat u de controle over de bosmaaier verliest, wat kan resulteren in persoonlijk letsel.

⚠ WAARSCHUWING: Onjuist gebruik van het mes kan scheuren, afbreken of breken tot gevolg hebben. Rondslingerende onderdelen kunnen ernstig letsel bij de gebruiker of omstanders veroorzaken. Om het risico op persoonlijk letsel te verminderen, is het van essentieel belang dat de volgende voorzorgsmaatregelen worden getroffen:

- Voorkom contact met harde of stevige vreemde voorwerpen zoals stenen, keien of stukken metaal.
- Snijd nooit hout of struiken met een stamdiameter van meer dan 2 cm.
- Inspecteer het mes in regelmatige, korte intervallen op tekenen van beschadigingen. Werk niet verder met een beschadigd mes.
- Slijp het mes regelmatig (als het duidelijk bot wordt) en laat het indien nodig uitbalanceren (uitgevoerd door een gekwalificeerde service-technicus).

Terugslag van het mes

Wees bijzonder voorzichtig als u het 3-tands mes met deze eenheid gebruikt. Terugslag van het mes is de reactie die kan voorkomen als het draaiende mes in contact komt met iets dat het niet kan snijden. Dit contact kan ervoor zorgen dat het mes eventjes stopt en plotseling de eenheid “terugslaat”, weg van het voorwerp dat is geraakt. Deze reactie kan ernstig genoeg zijn om ervoor te zorgen dat de gebruiker de controle over de eenheid verliest. Het terugkaatsen van het mes kan zonder waarschuwing gebeuren als het mes ergens aan vast blijft hangen, afslaat of vast raakt. Dit gebeurt eerder in een gebied waar moeilijk te zien is, welk materiaal wordt gesneden. Om eenvoudig en veilig te snijden, gaat u van rechts naar links met de bosmaaier naar het te maaien onkruid toe. Voor het geval dat een onverwacht voorwerp of stok wordt geraakt, kan deze beweging de terugslag-reactie van het mes verminderen.

ONDERHOUD

⚠ WAARSCHUWING: Voor het inspecteren, reinigen of onderhouden van het apparaat dient u de motor te stoppen, te wachten totdat alle bewegende onderdelen tot stilstand zijn gekomen en het accupack te verwijderen. Het negeren van deze instructies kan ernstig persoonlijk letsel of materiële schade tot gevolg hebben.

⚠ WAARSCHUWING: Bij reparatie mag u uitsluitend identieke reserveonderdelen gebruiken. Het gebruik van andere onderdelen kan gevaar opleveren of schade aan het product veroorzaken. Laat alle reparaties uitvoeren door een gekwalificeerde monteur om een continue veiligheid en betrouwbaarheid te waarborgen.

ALGEMEEN ONDERHOUD

Maak de kunststof onderdelen niet schoon met oplosmiddelen. De meeste kunststoffen kunnen worden beschadigd wanneer ze in contact komen met commerciële oplosmiddelen. Gebruik een schone doek voor het verwijderen van vuil, stof, olie, smeer, etc.

HET APPARAAT REINIGEN

- Na ieder gebruik met het 3-tands mes/maaikop, dient u met een zachte borstel vuil, opgehoopte aarde of gras van het mes en de beschermer te verwijderen.

OPMERKING: Als de draadsnijder bot raakt, kunt u het laten slijpen door een gekwalificeerde servicetechnicus of indien nodig door een nieuwe draadsnijder vervangen.

- Na elk gebruik van de bosmaaier dient u de snij-eenheid met een vochtige doek en een mild reinigingsmiddel te reinigen.

- Maak de kunststof behuizing of handgreep niet schoon met een agressief schoonmaakmiddel. Deze kunnen door bepaalde aromatische oliën, zoals pijnboom en citroen, en oplosmiddelen, zoals kerosine, worden beschadigd. Vocht kan risico op elektrische schokken met zich meebrengen. Veeg eventueel vocht weg met een zachte en droge doek.
- Maak de ventilatieopeningen aan de achterkant van de behuizing schoon met een kleine borstel of een stofzuiger.

HET APPARAAT OPBERGEN

- Haal het accupack uit het gereedschap.
- Draag stevige handschoenen om het gereedschap grondig te reinigen.
- Bevestig de mesbescherming op het 3-tands mes voor een veilige opberging (afb. Y).
- Berg het apparaat op in een droge, goed geventileerde en afsluitbare ruimte of op een hoge hoogte, buiten het bereik van kinderen. Berg het apparaat niet op in de buurt van meststoffen, benzine of andere chemicaliën.

NL

Het milieu beschermen



Gooi geen elektrische apparaten, acculaders en accu's/oplaadbare batterijen met het huisafval weg!

Elektrische en elektronische apparaten, in overeenstemming met de Europese wet 2012/19/EG, en defecte of verbruikte accupacks/batterijen, in overeenstemming met 2006/66/EG, moeten afzonderlijk worden ingezameld.

Als elektrische apparaten op een stortterrein of vuilnisbelt terecht komen, kunnen gevaarlijke stoffen in het grondwater lekken en in de voedselketen komen wat schadelijk is voor uw gezondheid en welzijn.

NL

EG CONFORMITEITSVERKLARING



Wij, EGO EUROPE GMBH

Wahlwiesenstrasse 1, D-71711 Steinheim an der Murr
Deutschland

Verklaren dat het product **56 VOLT LITHIUM-ION BOSMAAIER MET MOTOR AAN DE ACHTERKANT EN STUURGREEP BC3800E**, voldoet aan de essentiële gezondheids- en veiligheidsvoorschriften van de volgende richtlijnen:

2006/42/EG, 2014/30/EG, 2011/65/EG, 2000/14/EG

Normen en technische specificaties bedoeld in:

EN ISO 11806-1, EN 60745-1, EN 55014-1, EN 55014-2, IEC 62321.

| | Trimmer head | 3-tands meta- len mes |
|---|--------------|--------------------------|
| Gemeten geluids- vermogensniveau: | 94,80 dB(A) | 94,04 dB(A) |
| Gewaarborgd geluidsvermogen- sniveau: | 96 dB(A) | 96 dB(A) |

Conformiteitsbeoordelingsprocedure van bijlage VI wordt in acht genomen conform 2000/14/EG.

Geregistreerde keuringsinstantie: DEKRA Certification B.V.
Meander 1051 / P.O. box 5185 6525 MJ ARNHEM / 6802
ED ARNHEM, Netherlands

Geregistreerde keuringsinstantienummer: 0344

Peter Melrose
Algemeen directeur van
EGO Europe GmbH

Dong Jianxun
Kwaliteitsmanager van
Chervon

* (Geautoriseerde vertegenwoordiger voor CHERVON en verantwoordelijk voor de technische documentatie)

01/09/2017

PROBLEEMOPLOSSING

| PROBLEEM | OORZAAK | OPLOSSING |
|--------------------------|--|---|
| Kan niet worden gestart. | <ul style="list-style-type: none"> ■ Het accupack is niet aangesloten op de bosmaaier. ■ Er is geen elektrisch contact tussen de bosmaaier en het accupack. ■ Het accupack is uitgeput. ■ De ontgrendelingshendel en schakelaar zijn niet gelijktijdig ingeduwd. | <ul style="list-style-type: none"> ■ Sluit het accupack aan op de motorkop. ■ Verwijder het accupack, controleer de aansluitklemmen en plaats het accupack terug totdat deze vast klikt. ■ Laad het accupack op met de EGO laders die in deze gebruiksaanwijzing wordt vermeld. ■ Om de bosmaaier te starten, duwt u de ontgrendelingshendel omlaag en houdt op deze positie. Duw vervolgens de schakelaar in om de bosmaaier te starten. |
| Stopt met werken. | <ul style="list-style-type: none"> ■ De motor is overbelast. ■ Er wordt zware snijdraad gebruikt. ■ Het accupack of de bosmaaier is te warm. ■ Het accupack is niet met het gereedschap verbonden. ■ Het accupack is uitgeput. | <ul style="list-style-type: none"> ■ De motor herstelt weer zodra de belasting is verdwenen. Voor continu gebruik dient u het vermogen op de motorkop te verlagen. ■ Gebruik altijd een standaard nylon snijdraad met een diameter van niet meer dan 2,4mm. ■ Laat het accupack of de motorkop afkoelen totdat de temperatuur lager dan 67°C is. ■ Installeer het accupack opnieuw. ■ Laad het accupack op met de EGO laders die in deze gebruiksaanwijzing wordt vermeld. |

NL

| PROBLEEM | OORZAAK | OPLOSSING |
|---|---|---|
| Maaikop geeft geen draad vrij (alleen gebruik met maaikop). | <ul style="list-style-type: none"> ■ De motorschacht of maaikop zit vol met gras. ■ Er bevindt onvoldoende draad op de spoel. ■ De maaikop is vuil. ■ Draad zit vast in de spoel. ■ De draad is te kort. | <ul style="list-style-type: none"> ■ Stop het apparaat, verwijder de accu en verwijder het gras van de motorschacht en de maaikop. ■ Verwijder het accupack en vervang de snijdraad volgens de sectie "DE DRAAD VERVANGEN" in deze handleiding. ■ Verwijder het accupack en maak de spoel, vastzetting en basis schoon. ■ Verwijder het accupack en verwijder de snijdraad van de spoel en wikkel op, volgens de sectie "DE DRAAD VERVANGEN" in deze handleiding. ■ Verwijder het accupack en trek aan de draden terwijl de aantikknop afwisselen wordt ingedruwd en losgelaten. |

GARANTIE

EGO GARANTIEVOORWAARDEN

Bezoek onze website egopowerplus.com voor alle voorwaarden van de EGO garantie.

LÆS ALLE ANVISNINGER!



LÆS BRUGANVISNING

⚠ Særlig risiko! Folk med elektroniske anordninger, såsom pacemakere, bør spørge deres læge til råds, før de bruger dette produkt. Betjening af elektrisk udstyr i umiddelbar nærhed af en pacemaker kan forårsage forstyrrelser eller svigt af pacemakeren.

⚠ ADVARSEL: For at sikre sikkerhed og pålidelighed, bør alle reparationer og udskiftninger udføres af en kvalificeret servicetekniker.

SIKKERHEDSSYMBOLER

Formålet med sikkerhedssymboler er at gøre dig opmærksom på mulige farer. Du bør være meget opmærksom på sikkerhedssymbolerne og forklaringer til dem og lære at forstå dem. Symboladvarslere fjerner ikke i sig selv eventuelle farer. Anvisningerne og advarslerne er ingen erstatning for korrekte forebyggelsesforanstaltninger mod ulykker.

⚠ ADVARSEL: Sørg for at læse og forstå alle sikkerhedsanvisninger i denne brugsanvisning, herunder alle advarselssymbolerne, såsom "FARE", "ADVARSEL" og "FORSIGTIG", før du bruger dette værktøj. Hvis man ikke følger nedenstående anvisninger, kan det medføre elektrisk stød, brand og/eller alvorlig personskade.

SYMBOLBETYDNING

⚠ ADVARSELSSYMBOLER: Angiver FARE, ADVARSEL eller FORDIGTIG, og kan bruges sammen med andre symboler eller billeder.









⚠ ADVARSEL: Når kraftige værktøjer bruges, er der altid en risiko for at genstande slynges ind i øjnene, som kan føre til alvorlige øjenskader. Inden værktøjet tages i brug, skal brugeren altid bære beskyttelsesbriller eller beskyttelsesbriller med sideskærm, eller en fuld ansigtsskærm, hvis nødvendigt. Vi anbefaler en maske med bredt udsyn til brug over briller eller standard sikkerhedsbriller med sidebeskyttelse.

SIKKERHEDSANVISNINGER

Denne side viser og beskriver sikkerhedssymboler, der kan forekomme på dette produkt. Læs, forstå og følg alle anvisninger på apparatet, før du forsøger at samle og betjene det.

| | | |
|--|--|---|
| | Sikkerhedsvarsel | Angiver en potentiel fare for personskade. |
| | Læs brugsanvisningen | For at nedsætte risikoen for personskade, skal brugeren læse og forstå brugsanvisningen, før dette produkt tages i brug. |
| | Bær beskyttelsesbriller | Bær altid beskyttelsesbriller eller sikkerhedsbriller med sidebeskyttelse og om nødvendigt en fuld ansigtsmaske. |
| | Brug hørevarn | Bær altid hørevarn (ørepropper eller ørebeskyttere) for at beskytte din hørelse. |
| | Brug hovedbeskyttelse | Brug en beskyttelse-shjelm, så dit hoved beskyttes. |
| | Brug beskyttelse-shandsker | Beskyt dine hænder med handsker, når savklingen og skærmen håndteres. Kraftige beskyttelse-shandsker forbedrer dit greb og beskytter dine hænder. |
| | Benyt sikkerhedsfodtøj | Benyt skridsikkert sikkerhedsfodtøj, når du bruger dette udstyr. |
| | Pas på tilbageslag fra savklingen | Advar brugeren om faren for tilbageslag fra savklingen. |
| | Flyvende genstande. Hold tilskuere væk | Genstande, der udslynges kan rикоchettere og resultere i personskade eller skade på ejendom. Sørg for, at andre personer og kæledyr er mindst 15 m væk fra buskrydderen, når den er i brug. |
| | Hold omkringstående på afstand | Sørg for, at andre personer og kæledyr er mindst 15 m væk fra kantklipperen, når den er i brug. |

DK

| | | |
|---|---------------------------|--|
|  | Ingen runde klinger | Runde savklinger må ikke bruges. |
|  | Må ikke udsættes for regn | Må ikke anvendes i regnvejr eller efterlades udendørs, mens det regner. |
|  | CE | Dette produkt er i overensstemmelse med gældende EU-direktiver. |
|  | WEEE | Affald fra elektriske produkter bør ikke bortskaffes sammen med husholdningsaffald. Bring det til en godkendt genbrugsplads. |
|  | Støj | Garanteret lydniveau. Støjemission til miljøet opfylder EF-direktivet. |
| V | Volt | Spænding |
|  | Jævnstrøm | Type af eller egenskab for strøm |
| n_0 | Hastighed uden belastning | Rotationshastighed uden belastning |
| ... /min | Pr. minut | Omdrejninger pr. minut |

VIGTIGE SIKKERHEDSANVISNINGER

⚠ ADVARSEL! Når dette produkt bruges, skal grundlæggende sikkerhedsprocedurer altid følges for at reducere risikoen for brand, elektrisk stød og personskade, herunder følgende:

LÆS GRUNDIGT INDEN BRUG

GEM TIL SENERE BRUG.

⚠ FARE! Stol ikke på værktøjets isolering mod elektrisk stød. For at reducere risikoen for en elektricitetsulykke skal man aldrig betjene apparatet i nærheden af nogen form for ledninger eller kabler (stærkstrøm etc.), som kan være strømførende.

⚠ ADVARSEL! Brug egnet personligt høreværn under brug. Under visse betingelser og afhængigt af varigheden af brug kan støj fra dette produkt bidrage til høretab.

UNDERVISNING

- Læs anvisningerne grundigt igennem. Bliv fortrolig med alle knapper og håndtag og den korrekte brug af apparatet.
- Lad aldrig personer, der ikke kender disse anvisninger, eller børn til at bruge apparatet. Lokale forskrifter kan sætte aldersgrænser for en operatør.
- Husk, at operatøren eller brugeren er ansvarlig, hvis andre personer eller andres ejendom udsættes for ulykke eller fare.

FORBEREDELSE

- Brug aldrig dette produkt, mens folk, især børn, eller kæledyr er tæt på.
- Brug altid øjenbeskyttelse og solide sko, når du bruger dette produkt.
- Afstanden mellem apparatet og omkringstående skal være mindst 15 m.

BETJENING

- Buskrydderen må kun bruges i dagslys eller godt kunstigt lys.
- Buskrydderen må aldrig bruges, hvis skærmene er beskadigede, eller uden skærmene på.
- Tænd kun for motoren, når hænder og fødder er væk fra klippedelen.
- Buskrydderen skal altid afbrydes fra strømforsyningen (dvs. fjern batteripakken).
 - hvis buskrydderen forlades uden opsyn;
 - inden den rengøres, hvis den er tilstoppet;
 - inden buskrydderen ses efter, rengøres eller vedligeholdes;
 - hvis du har ramt et fremmedlegeme;
 - hvis buskrydderen begynder at vibrere unormalt;
- Pas på skade på hænder og fødder fra klippedelen.
- Sørg altid for, at ventilationsåbningerne holdes fri for snavs og skidt.

VEDLIGEHOLDELSE OG OPBEVARING

- Afbryd buskrydderen fra strømforsyningen (dvs. fjern batteripakken), før udførelse af vedligeholdelse eller rengøring.
- Brug kun fabrikantens anbefalede reservedele og tilbehør.
- Efterse og vedligehold buskrydderen regelmæssigt. Få kun apparatet repareret af en autoriseret reparatør.
- Når buskrydderen ikke er i brug, skal den opbevares utilgængeligt for børn.

ANDRE SIKKERHEDSADVARSLER

- **Hold børn på afstand** - Alle omkringstående skal holdes mindst 30 meter væk fra arbejdsområdet.
- **Undgå farlige omgivelser** - Apparatet må ikke bruges på fugtige eller våde steder.
- **Sluk altid for buskrydderen, eller fjern batteripakken, hvis den efterlades uden opsyn.**
- **Apparatet må ikke bruges i regn.**
- **Brug passende tøj** - Brug ikke løsthængende tøj, smykker, korte bukser, sandaler eller gå i bare fødder. De kan komme i klemme i bevægelige dele. Brug altid kraftige, langbukser og en langærmet skjorte. Brug af gummihandsker og solidt fodtøj anbefales, når der arbejdes udendørs. Brug beskyttende hårtildækning, for at holde eventuelt langt hår over skulderhøjde, og beskyt det.
- **Brug sikkerhedsbriller** - Brug altid ansigts- eller støvmaske, hvis arbejdsområdet er støvet.
- **Brug det rigtige værktøj** - Brug ikke værktøjet til noget job ud over det, som det er beregnet til.
- **Tving ikke buskrydderen** - Den gør arbejdet bedre og med mindre sandsynlighed for skade på den hastighed, som den er beregnet til.
- **Undgå, at række for langt ud** - hold ordentligt fodfæste og balance på alle tidspunkter.
- **Vær opmærksom** - hold øje med, hvad du laver. Brug din sunde fornuft. Brug ikke buskrydderen, hvis du er træt.
- **Brug ikke buskrydderen, hvis du er påvirket af narkotika, alkohol eller medicin.**
- **Hold kapper på plads og i orden.**
- **Hold hænder og fødder væk fra klippeområdet.**
- **Opbevar buskrydderen indendørs** - Når du ikke bruger buskrydderen, skal den opbevares indendørs på et tørt og aflåst op sted med batteripakken fjernet - utilgængeligt for børn.
- **Vedligehold buskrydderen omhyggeligt** - Hold klippedelen ren for optimal ydeevne, og for at reducere risikoen for skader. Følg anvisningerne for udskiftning af tilbehør. Hold håndtagene tørre, rene og fri for olie og fedt.
- **Kontrollér beskadigede dele** - Før yderligere brug af buskrydderen, skal en eventuelt beskadiget skærm eller anden del, omhyggeligt ses efter for at se, om den virker korrekt og udfører sin tilsigtede funktion. Kontroller, at de bevægelige dele ikke er fejljusterede eller binder eller er i en tilstand, der kan påvirke stangsavens drift og betjening. En kappe eller en anden del, der er beskadiget, bør repareres korrekt eller udskiftes af et autoriseret serviceværksted, medmindre andet er angivet i denne vejledning.
- **Kontroller alle skruer er på plads, og er spændt ordentligt fast. Sørg for at klippeskærmen er spændt ordentligt fast, og sidder på den måde, som fabrikanten anbefaler.**
- **Ryd området, hvor der skal klippes, før hver brug.** Fjern alle genstande, såsom sten, glasskår, søm, tråd eller snor, der kan slynges ud eller blive viklet ind i klippedelen. Få børn, tilskuere og kæledyr væk fra området. Hold som minimum alle børn, tilskuere og kæledyr uden for en radius på 15 m (50 fod). Uden for et område på 15 m (50 fod) er der stadig en risiko for skade fra slyngede genstande. Omkringstående bør opfordres til at bære øjenbeskyttelse.
- **Før du bruger buskrydderen, og efter eventuelle stød på den, skal du se den efter for tegn på slid eller skader, og reparere den efter behov.**
- **Hold altid godt fast i buskrydderen med begge hænder på håndtagene under arbejdet. Hold fast med fingre og tommelfingre omkring håndtagene.**
- **Undgå utilsigtet start** - Løft ikke buskrydderen med fingeren på gashåndtaget.
- **Brug ikke buskrydderen i omgivelser med benzinlignende eller eksplosive stoffer.** Motorerne i disse apparater udsender normalt gnist, og gnisterne kan antænde dampe.
- **Skade på buskrydderen** - Hvis du rammer et fremmedlegeme med buskrydderen, eller den bliver filtret ind, så stop omgående værktøjet, og fjern batteripakken fra buskrydderen. Se efter for skader, og få eventuelle skader repareret, før arbejdet forsøges genoptaget. Brug ikke apparatet med en beskadiget skærm eller klippetilbehør.
- **Hvis udstyret skulle begynde at vibrere unormalt, skal du stoppe motoren og fjerne batteriet fra buskrydderen. Undersøg derefter straks årsagen.** Vibrationer er generelt en advarsel om problemer. En løstsiddende klippedel kan vibrere, revne, knække eller løsne sig fra buskrydderen, hvilket kan resultere i alvorlige eller dødelige kvæstelser. Sørg for at klippedelen fastgøres korrekt og sikkert. Hvis klippedelen løsner sig, efter den er sat på, skal den udskiftes med det samme. Brug aldrig en buskrydder med en løstsiddende klippedel.
- **En revnet, beskadiget eller slidt klippedel skal straks udskiftes, også selvom skaden er begrænset til overfladiske revner.** En sådan enhed kan splintre ved høj hastighed og forårsage alvorlige skader eller dødsfald.
- **For at mindske risikoen for personskade, må du aldrig arbejde på en stige eller på noget andet usikkert underlag. Hold aldrig klippedelen over hoftehøjde.**

- **Brug aldrig andre tråde end klippetråde af nylon. Der kan gå stykker af tråden, som kan slynges væk i høj fart mod brugeren eller personer i nærheden.**
- **Sørg for at stå fast og være i balance.** Læn dig ikke for langt ud. Hold klippedelen under taljen. Hold alle dele af kroppen væk fra den drejende klippedel.
- **Se regelmæssigt klippedele efter under brug, eller omgående, hvis der er en mærkbar forandring i måden, hvorpå apparatet klipper.**
- **Brug kun EGO-godkendte klippetråder af polymer og savklingetilbehør, klippetråder og savklinger, der er designet til brug med denne buskrydder. Bestemte ikke-godkendte dele kan være yderst farlige, og/eller skadelige mod apparatet.**
- **Hvis nogen nærmer sig, så stop straks motoren og klippedelen.**
- **Advar brugeren om fare tilbageslag, når savklingen bruges (kun klingens med 3 tænder).**
 - Savklingen kan give tilbageslag, hvis den saver ind i en genstand, som den umiddelbart ikke kan save over.
 - Et tilbageslag kan være voldsomt nok til at slynge enheden og/eller brugeren i alle retninger, og derved muligvis miste kontrollen over enheden.
 - Et tilbageslag kan opstå uden varsel, hvis savklingen rammer en knast, stopper eller kommer i klemme.
 - Tilbageslag er mere tilbøjelige til at forekomme i områder, hvor det er vanskeligt at se materialer, der beskæres.
- **Der må ikke sættes nogen savklinger på enheden, før alle de nødvendige dele først er sat på. Hvis de rigtige dele ikke bruges, kan savklingen flyve af, og forårsage alvorlig skade på brugeren og/eller personer i nærheden. Savklinger, der er bøje, skæve, revnede, ødelagt eller på nogen måde beskadigede, skal smides ud. Brug en skarp savklinge. En døv savklinge er mere tilbøjelige til at sidde fast og give tilbageslag (kun, når der bruges savklinger med 3 tænder).**
- **Batteriet skal bortskaffes på en sikker måde.**
- **En belagt savklinge/tråden kan forårsage skade, hvis den fortsætter med at køre rundt efter motoren er stoppet eller gashåndtaget er slippet. Kontroller apparatet ordentligt indtil klingens/tråden er hold helt op med at dreje rundt.**
- **Oplad ikke batteripakken i regnvej, eller hvor der er vådt.**

- Brug kun med Egos batteripakker og opladere, der er anført nedenfor:

| BATTERI | OPLADER |
|---|--------------------|
| BA1120E, BA1400, BA2240E, BA2800, BA3360, BA4200, BAX1300 | CH2100E CH5500E |

- **Batteripakken skal fjernes fra apparatet, før det kasseres.**
- **Smid ikke batteriet i ilden.** Cellerne kan eksplodere. Undersøg de lokale forskrifter for eventuelle særlige anvisninger på bortskaffelse.
- **Undlad at åbne eller mishandle batteriet.** Udsivende elektrolyt er ætsende og kan forårsage skader på øjne eller hud. Det kan være giftigt ved indtagelse.
- **Udvis omhu i håndtering af batterier for ikke at kortslutte batteriet med ledende materialer, såsom ringe, armbånd og nøgler.** Batteriet eller leder kan blive overophedet og forårsage forbrændinger.
- **Reserve dele** - Ved servicering, må der kun bruges identiske EGO-reserve dele. Brug af andet tilbehør eller dele, kan øge risikoen for skader.
- **Batteridrevne værktøjer behøver ikke at være tilsluttet en stikkontakt, derfor er de altid driftsklar.** Vær opmærksom på mulige farer, selv når værktøjet ikke arbejder. Vær forsigtig, når du udfører vedligeholdelse eller service.
- **Fjern eller afbryd batteripakken inden servicering, og rengøring, og inden materialer fjernes fra buskrydderen.**
- **Undlad at vaske med en slange; undgå at få vand i motor og elektriske forbindelser.**
- **Ved situationer, der ikke er dækket i denne vejledning: Vær forsigtig, og arbejd med omtanke. Kontakt Egos servicecenter for at få hjælp.**

GEM DISSE ANVISNINGER!

SPECIFIKATIONER

| | | | |
|--|-----------------------------|---|---|
| Klippedel | Klippehoved | Metalklinge med 3 tænder | |
| Spænding | 56 V | 56 V | |
| Tomgangshastighed | 4500-6000 /min | 4500-6000 /min | |
| Type af klippetråd | 2,4mm snoet nylontråd | / | |
| Savklinge | / | ABB1203 | |
| Klippebredde | 38 cm | 30 cm | |
| Vægt (Uden batteripakke) | 4,35 kg | 4,64 kg | |
| Målt lydeffektniveau L_{WA} | 94,80 dB(A) K=1,01 dB(A) | 94,04 dB(A) K=1,71 dB(A) | |
| Lydtryk tæt ved brugeren L_{PA} | 80,2 dB(A) K=2,5 dB(A) | 80,0 dB(A) K=4,1 dB(A) | |
| Garanteret lydeffektniveau L_{WA} (målt i henhold til direktiv 2000/14/EF) | 96 dB(A) | 96 dB(A) | |
| Vibrationsværdi a_h | Venstre håndtag | 2,28 m/s ² K=1,5 m/s ² | 1,55 m/s ² K=1,5 m/s ² |
| | Højre håndtag | 2,38 m/s ² K=1,5 m/s ² | 1,88 m/s ² K=1,5 m/s ² |

- Den samlede værdi af angivne vibrationer er målt i overensstemmelse med en standardiseret prøvningsmetode og kan anvendes til at sammenligne et værktøj med et andet
- Den samlede angivne værdi for vibrationer kan også anvendes ved en foreløbig vurdering af eksponeringen.

BEMÆRK: Udsendelsen af vibrationer ved faktisk brug af elværktøjet kan afvige fra den angivne værdi, der hvor værktøjet anvendes. For at beskytte operatøren, bør vedkommende bære handsker og høreværn under de faktiske brugsbetingelser.

PAKKELISTE

| DELENS NAVN | ANTAL |
|---------------------------------|-------|
| Buskrydder | 1 |
| Klinge med 3 tænder med hylster | 1 |
| Skærmsamling | 1 |
| Møtrik | 1 |
| Ydre flange | 1 |
| Unbrakonøgle | 1 |
| Multifunktionel skrueøgle | 1 |
| Dobbelt skulderrem | 1 |
| Brugsanvisning | 1 |

DK

BESKRIVELSE

KEND DIN BUSKRYDDER (fig. A)

- Håndtag til hastighedsbegrænsning
- Låsegreb
- Vingebolt
- Startknap
- Styr
- Skaft
- Klippetråd
- Skærmsamling
- Klippehoved
- Skrue med pakning
- Hold til fastspænding af skaft
- Afskærmning
- Multifunktionel skrueøgle
- Unbrakonøgle
- Savklinge med 3 tænder
- Ydre flange
- Møtrik
- Udløser-knap
- Gummibeskyttere
- Lås
- El-kontakter
- frigørelsesmekanisme
- Spænde
- Hoffepude

⚠ ADVARSEL: Brug aldrig værktøjet uden kappen solidt på plads. Kappen skal altid være på værktøjet for at beskytte brugeren.

⚠ ADVARSEL: Når værktøjet er udstyret med et klippehoved, skal skærmtilbehøret med kantklippeklingen sættes på skærmen. Hvis disse anvisninger ikke overholdes, kan det føre til alt for lange klippelinjer og overbelastning af motoren. Brug aldrig klippehoved uden skærmtilbehøret.

MONTERING

⚠ ADVARSEL: Hvis nogle dele er beskadigede eller mangler, må buskrydderen ikke bruges, før delene er udskiftet. Brug buskrydderen med beskadigede eller manglende dele, kan medføre alvorlig personskade.

⚠ ADVARSEL: Forsøg ikke at ændre buskrydderen eller fremstille tilbehør, der ikke anbefales til brug med dette produkt. Enhver sådan ændring eller modifikation er misbrug og kan resultere i en farlig situation og føre til eventuel alvorlig personskade.

⚠ ADVARSEL: Brug altid kraftige handsker, når skærmen sættes på og tages af, samt når du vedligeholder savklingen med de 3 tænder/kantklipperklingen. Vær forsigtig med kantklipperklingen på skærmtilbehøret/ klingen med de 3 tænder, så du beskytter dine hænder mod skæring af klingerne.

⚠ ADVARSEL: For at forhindre, at apparatet startes ved et uheld, som kan føre til alvorlige personskader, skal batteripakken altid tages ud, når delene sættes på og når apparatet transporteres.

⚠ ADVARSEL: Brug aldrig værktøjet uden forreste skærmen og håndtaget solidt monteret. Manglende overholdelse af anvisningerne kan føre til alvorlig personskader.

MONTERING OG JUSTERING AF STYRET

Buskrydderne skal opbevares, som vist i fig. B. Løsn først vingebolten på den forbindelsesleddet, og løft derefter styret 180° rundt om akslen (billede C). Drej styret 90° mod uret, så det peger mod stød hovedet (billede D). Drej styret frem og tilbage, indtil du finder en behagelig arbejdsstilling og spænd derefter bolten.

BEMÆRK: Apparatet må kun bruges med styret vinkelret på skaftet.

MONTERING AF KAPPEN

Løsn, og fjern de to skruer fra skaftets nederste kant (fig. E), flugt kappens monteringshuller med enhedens huller; sæt derefter kappen fast på skaftet med de to skruer sammen med to fjederskiver (fig. F). Sørg for, at kappen sidder som på fig. E og F.

Hvis monteringen gores omvendt kan det forårsage stor fare!

SKIFT KLIPPEHOVEDET MED KLINGEN MED 3 TÆNDER

Kend klippehovedet, og følg trinene i fig. H-1 til H-4, (se afsnittet "Sådan skiftes tråden"), for at tage klippehovedet af (fig. G). For at montere klingen, skal du følge trinene nedenfor:

1. Sådan monteres metalklingeenheden (fig. I).
2. Tag skærmtilbehøret af ved at løse de tre skruer og deres skændeskiver (fig. J).
3. Klingen leveres med et hylster. Inden klingen sættes på buskrydderen, skal hylsteret tages af, ved at løse klemme-kablet på hylsteret (fig. K).

Beskrivelse af dele på fig. G-K, se nedenfor:

| | | | |
|-----|-------------------|-----|------------------------|
| G-1 | Indre flange | I-3 | Flangebeslag |
| G-2 | Flangebeslag | I-4 | Savklinge med 3 tænder |
| G-3 | Øvre kapsel ASSY | I-5 | Ydre flange |
| G-4 | Spændeskive | I-6 | Møtrik |
| G-5 | Møtrik | I-7 | Åbning i flangen |
| G-6 | Fjeder | J-1 | Linjeskærebånd |
| G-7 | Trimmersnor | J-2 | Afskærmning |
| G-8 | Nedre kapsel ASSY | K-1 | Klemme-kabel |
| I-1 | Motorskaft | K-2 | Krog |
| I-2 | Indre flange | | |

BEMÆRK: For at beskytte dig selv mod skader, skal du altid bruge handsker, når du bruger klingen med de 3 tænder.

4. Drej motorskaftet, så åbningen på den indre flange passer med låsehullet på skaftet i gearkassen (fig. L).
5. Sæt unbrakonøglen i de tilpassede huller, så den virker som en stabilisator (fig. M).

Beskrivelse af dele på fig. L og M, se nedenfor:

| | | | |
|-----|----------------------------------|-----|--------------|
| L-1 | Gearkasse | L-3 | Motorskaft |
| L-2 | Tilpassede låsehuller på skaftet | M-1 | Stabilisator |

6. Sæt klingen på motorskaffet, og sørg for at klingens overflade passer med overfladen på forhøjningen på den indre flange. Sæt den ydre flange og møtrikken på (fig. N). Forspænd møtrikken MOD URET med hånden.

Beskrivelse af dele på fig. N, se nedenfor:

| | |
|-----|---------------------|
| N-1 | Møtrik |
| N-2 | Ydre flange |
| N-3 | Klinge med 3 tænder |

7. Sæt gearkassen mod en fast overflade for støtte. Hold skaffet på buskrydderen med den ene hånd, og hold den multifunktionelle skrueøgle med den anden hånd. Stram møtrikken i pilens retning på den ydre flange (fig. O).

BRUG AF SKÆRMTILBEHØRET

BEMÆRK: Når buskrydderen er udstyret med et klippehoved, skal skærmtilbehøret sættes på skærmen. Spænd skærmtilbehøret fast på skærmen ved at stramme de tre skruer med unbraconøglen, hvis kantklipperklingen er sat på skærmtilbehøret. Hvis disse anvisninger ikke overholdes, kan det muligvis føre til alt for lange klippelinjer og overbelastning af motoren.

BETJENING

⚠ ADVARSEL: Selvom du får kendskab til motorsaven, skal du stadig passe på, når den bruges. Husk på, at det kan føre til alvorlige skader, hvis du ikke er opmærksom i blot et sekund.

⚠ ADVARSEL: Bær altid sikkerhedsbriller samt høreværn. Hvis du ikke gør, kan du få genstande slynget i øjnene, og der kan også opstå andre alvorlige skader.

⚠ ADVARSEL: Undgå, at bruge dele eller tilbehør, der ikke anbefales af producenten af dette produkt. Hvis der bruges dele eller tilbehør, der ikke anbefales, kan det føre til alvorlige personskader.

ANVENDELSER

Buskrydderen er beregnet til de formål, der er nævnt nedenfor:

- **Med klingens med 3 tænder:** Klipping af græs, ukrudt, vildtgroende og krat, udtynding af unge træer/buske med grene, der højst er 2 cm i diameter.
- **Med klippehovedet:** Klipping af græs og ukrudt omkring indgangspartier, hegn, terrasser

BEMÆRK: Værktøjet skal kun bruges til det formål, det er beregnet til. Enhver anden anvendelse, anses for at være et tilfælde af fejlbrug

PÅSÆTNING/AFTAGNING AF BATTERIPAKKEN

Sørg for at batteripakken er ladet helt op før første brug.

Sådan sættes batteripakken i

Sørg for at ribberne i hver side batteripakken passer med monteringsrillerne i batterirummet, og tryk batteripakken ned, indtil du hører et "klik" (fig. P).

Sådan tages batteripakken af

Tryk på knappen til batteriudløseren, og træk batteripakken ud (fig. Q).

Beskrivelse af dele på fig. P, se nedenfor:

| | |
|-----|-----------------|
| P-1 | Monteringsrille |
| P-2 | Rib |

SÅDAN SÆTTES DEN DOBBELTE SKULDERREM PÅ, OG SÅDAN HOLDES APPARATET

Put den dobbelte skulderstrop på dine skuldre, og sæt spænd spændets to dele sammen, indtil du hører et klik (fig. R-1). Sæt krogen fra hoftepuden i hullet på klemmen, der sidder på skaffet, og tryk forsigtigt ned på skaffet (fig. R-2 & R-3 & R-4).

Hold kantklipperen med begge hænder på højre side af kroppen (fig. S). Klippehovedet og klingens skal være parallel med jorden i en passende afstand, uden at bruger bøjer sig over.

Buskrydderen kan udløses på to måder: Udløs strop-spændet (fig. T), eller tryk på stropens krog, og tag den ud af klemmen, der sidder fast på skaffet (fig. R-2).

⚠ ADVARSEL: I tilfælde af en nødsituation, skal apparatet straks tages af dine skuldre, uanset hvilken måde stroppen er fastgjort på. Udløs spændet (fig. T) og tag skulderstroppen af med begge hænder på hver side, som er en hurtig metode.

⚠ ADVARSEL: Du bør ikke bruge enkelt-skulderstroppen og dobbelt-skulderstroppen samtidig

SÅDAN STARTES OG STOPPES BUSKRYDDEREN

Sådan startes buskrydderen

Tryk ned på låsehåndtaget og hold det i denne stilling. Tryk på gashåndtaget, for at starte apparatet (fig. U).

Forskellige tryk på gashåndtaget giver forskellige hastigheder på klippedelen. Juster hastighedsgrænsen på gashåndtaget, hvis nødvendigt.

BEMÆRK: Håndtaget til hastighedsbegrænsningen kan også forudindstilles til en bestemt hastighed.

Sådan stoppes buskrydderen

Slip gashåndtaget.

BEMÆRK: Motoren kører kun, når låsehåndtaget og gashåndtaget begge er trykket ned.

⚠ ADVARSEL: Fjern altid batteripakken fra græstrimmeren under pauser, og når arbejdet er slut.

DK

SÅDAN BRUGES APPARATET

⚠ ADVARSEL: Brug ordentlig påklædning for at mindske risikoen for skader, når du bruger buskrydderen. Brug ikke løstsiddende tøj eller smykker. Brug øjen- og øre- / høreværn. Brug kraftige langbukser, støvler og handsker. Brug ikke i kortbukser, sandaler eller gå i bare fødder.

Inden apparatet tages i brug, skal du sørge for at arbejdsområdet er sikkert, og at der ikke er nogen personer, dyr eller løse genstande. Sørg for, at de er mindst 15 m væk. Og kontroller derefter din øjenbeskyttelse, at dit tøj er ordentlig og at dit fodfæste er afbalanceret.

Se apparatet efter for skader/nedslidte dele før hvert brug. Kontroller klippehoved, klinge med de 3 tænder, skærmen, skærmtilbehøret, styret og den dobbelte skulderstrop, og udskift eventuelle dele, der er revnede, skæve, bøjedede eller på nogen måde beskadigede. Kantklipperklingen på kanten af skærmtilbehøret kan med tiden blive døv. Det anbefales regelmæssigt at slibe den med en fil eller udskifte den med en ny klinge.

Rengør buskrydderen efter hvert brug

SÅDAN BRUGES APPARATET MED KLIPPEHOVEDET

Sådan justeres trådens længde

Klippehovedet giver brugeren mulighed for at frigive mere klippetråd, uden at stoppe motoren. Efterhånden som tråden bliver flosset eller slidt, kan man frigive mere tråd, ved at trykke fjederknoppen let mod jorden, mens kantklipperen kører (fig. V).

BEMÆRK: Frigivelse af tråden bliver vanskeligere, hvis tråden bliver kortere.

⚠ ADVARSEL: Du må ikke fjerne eller ændre på kantklipperklinge-samlingen. For lang tråd vil få motoren til at overophede og kan give i alvorlig personskaade.

Sådan skiftes tråden

BEMÆRK: Brug altid den anbefalede klippetråd af nylon med en diameter på højst 2,4 mm. Brug af tråde med anden diameter kan medføre, at buskrydderen overopheder eller beskadiges.

⚠ ADVARSEL: Brug aldrig metal-forstærket tråd, kabler eller reb, osv. Disse kan brække af og blive farlige projektiler.

1. Fjern batteripakken.
2. Fjern resterende klippetråd, hvis nødvendigt.
3. Drej spoleholderen i pilens retning, indtil den er ud for LOAD-linjen på spoleholderen med de små øjer i spolefoden (fig. W-1).
4. Klip et 5 m langt klippetråd, og stik den i monteringshullet inde i øjet (fig. W-2). Tryk tråden ind og træk den ud på den anden side, indtil der er lige meget tråd på begge sider af spolen.
5. Tryk, mens du drejer spoleholderen i pilens retning, for at vikle tråden om spolen, indtil der stikker ca. 14 cm tråd ud på hver side (fig. W-4).
6. Tryk spoleholderen nedad, mens du trækker i trådene, for manuelt at trække tråd ud og for at kontrollere for korrekt montering af klippehovedet.

Hvis klippetråden knækker ved udgangsøjet, eller hvis tråden ikke frigives, når klippehovedet trykkes mod jorden, skal du følge trinene nedenfor:

1. Fjern batteripakken.
2. Tryk på de to udløsertappe på spoleholderen, og fjern spoleholderen ved at trække den lige ud (fig. H-1 og H-2).
3. Fjern klippetråden fra spoleholderen.
4. Hold spolebunden med den ene hånd, og hold spoleholderen med den anden hånd. Sørg for at tappene på spoleholderen passer med hullerne på spolen (fig. X-1). Brug håndfladen til at trykke og dreje spoleholderen til venstre og højre, indtil tappene låses sammen med spolebunden (fig. X-2).
5. Sæt klippetråden på igen.

SÅDAN BRUGES METALKLINGEN MED DE 3 TÆNDER

⚠ ADVARSEL: For at klippe vildtgroende og krat, skal du sænke den drejende savklinge med 3 tænder ned i det vildtgroende, for at opnå en hakkeeffekt. Brug buskrydderen som en le (fej den til højre og venstre) i jordhøjde. Klippedelen må aldrig holdes over hoftehøjden.

⚠ ADVARSEL: Jo højere klippedelen er over jorden, jo større er risikoen for skader fra genstande, der slynges til siderne.

⚠ ADVARSEL: Ved klipning af unge træer/buske eller andre træmaterialer, der har en diameter på op til 2 cm, skal du bruge venstre side af klinge, for at undgå tilbageslag. Forsøg ikke at klippe træmaterialer, der er tykkere i diameter, da klingens kan komme i klemme og rykke buskrydderen fremad. Dette kan beskadige klingens eller buskrydderen, eller du kan miste kontrollen over buskrydderen, hvilket kan føre til personskader.

⚠ ADVARSEL: Hvis klingens bruges forkert, kan den knække, revne eller splintre. Udslyngede dele kan føre til alvorligt skade på brugeren eller personer i nærheden. For at mindske risikoen for personskade, er det vigtigt at tage følgende forholdsregler:

- Undgå kontakt med hårde eller faste fremmedlegemer som sten, klippesten eller metalstykker.
- Sav aldrig træ eller buske med grene, der er over 2 cm i diameter.
- Se regelmæssigt klingens efter for tegn på skader. Hvis en klinge er beskadiget, må den ikke længere bruges.
- Slib klingens regelmæssigt (når den er mærkbar døv) og få den balanceret, hvis nødvendigt (udføres af en kvalificeret servicetekniker).

Tilbageslag

Udvis stor forsigtighed, når du bruger klingens med de 3 tænder på dette apparat. Klingens kan give tilbageslag, hvis den rammer noget, den kan ikke skære over. Denne kontakt kan gøre, at klingens stopper i et kort øjeblik, og derved "slår" apparatet tilbage fra genstanden, som klingens rammede. Denne reaktion kan være voldsom nok til at gøre, at brugeren mister kontrollen over apparatet. Et tilbageslag kan opstå uden varsel, hvis savklingens rammer en knast, stopper eller kommer i klemme. Dette er mere tilbøjelige til at forekomme i områder, hvor det er vanskeligt at se materialer, der beskæres. For at skære på en nem og sikker måde, skal du klippe ukrudtet med buskrydderen fra højre til venstre. Hvis du rammer ind i en uventet genstand eller træstykk, kan denne praksis minimere tilbageslaget.

VEDLIGEHOLDELSE

⚠ ADVARSEL: Før eftersyn, rengøring eller service på enheden standses motoren. Vent til alle bevægelige dele er standset, og fjern batteripakken. Efterkommes disse anvisninger ikke, kan det medføre alvorlig personskade eller materielle skader.

⚠ ADVARSEL: Hvis apparatet skal repareres, må der kun bruges originale reservedele. Brug af andre reservedele kan medføre fare eller forårsage skader på produktet. For at sikre sikkerhed og pålidelighed skal alle reparationer udføres af en kvalificeret servicetekniker.

ALMINDELIG VEDLIGEHOLDELSE

Undgå at bruge opløsningsmidler ved rengøring af plastdele. De fleste plastmaterialer risikerer at blive ødelagt ved brug af forskellige typer af alment tilgængelige opløsningsmidler. Brug rene klude til at fjerne snavs, støv, olie, fedt etc.

SÅDAN RENGØRES APPARATET

- Hver gang du har brugt klingens med de 3 tænder/klippehovedet, skal fjernes snavs, jord- eller græsklumper på kniven og skærpladen med en blød børste.

BEMÆRK: Når kantklipperklingens bliver døv, skal den slibes af en kvalificeret servicetekniker eller udskiftes med en ny klinge, hvis nødvendigt.

- Hver gang buskrydderen har været brugt, skal du rengøre klippedelen med en fugtig klud med et mildt rengøringsmiddel.
- Brug ikke stærke rengøringsmidler på plasthus eller håndtaget. De kan blive beskadiget af visse aromatiske olier, såsom fyr og citron, og opløsningsmidler såsom petroleum. Fugt kan også give elektrisk stød. Tør fugt af med en blød tør klud.
- Brug en lille børste eller en lille støvsuger til at rengøre lufthullerne på det bagerste kabinet.

SÅDAN OPBEVARES APPARATET

- Fjern batteripakken fra apparatet.
- Brug kraftige handsker til at rengøre apparatet grundigt.
- Sæt hylsteret på klingens med de 3 tænder, så den opbevares sikkert (fig. Y)
- Opbevar apparatet på et tørt og godt ventileret sted, der er låst og utilgængeligt for børn. Opbevar ikke apparatet på eller ved siden af gødning, benzin eller andre kemikalier.

Beskyttelse af miljøet



Smid ikke elektrisk udstyr, batterioplader og batterier / genopladelige batterier i affaldsspanden!

Ifølge EU-direktiv 2012/19/EU og EU-direktiv 2006/66/EF skal henholdsvis elektrisk og elektronisk udstyr, der ikke længere er brugbart, og defekte eller brugte batterier / batteripakker indsamles særskilt.

Hvis elektriske apparater smides på lossepladsen eller affaldsdeponier kan der sive giftige stoffer ned i grundvandet og komme ud i fødekæden og gøre skade på menneskers sundhed og velfærd.

DK

EU-OVERENSSTEMMELSESEKTLÆRING

Vi, EGO EUROPE GMBH

Wahlwiesenstrasse 1, D-71711 Steinheim an der Murr
Deutschland

Erklærer, at dette produkt **BUSKRYDDER MED 56 VOLT LITUM-ION-BATTERIDREVET MOTOR OG STYR BC3800E** overholder de væsentlige sikkerheds- og sundhedskrav i følgende direktiver:

2006/42/EF, 2014/30/EU 2011/65/EU, 2000/14/EF

Standarder og tekniske specifikationer, der henvises til:

EN ISO 11806-1, EN 60745-1, EN 55014-1, EN 55014-2, IEC 62321.

| | Klippehoved | Metalklinge med 3 tænder |
|------------------------------|-------------|--------------------------|
| Målt lydeffekt-niveau: | 94,80 dB(A) | 94,04 dB(A) |
| Garanteret lydeffekt-niveau: | 96 dB(A) | 96 dB(A) |

Procedure for overensstemmelsesvurdering i tillæg VI er fulgt i henhold til 2000/14/EF.

Bemyndiget organ: DEKRA Certification B.V. Meander
1051 / P.O. box 5185 6525 MJ ARNHEM / 6802 ED
ARNHEM, Netherlands

Det bemyndigede organs nummer: 0344

Peter Melrose
Administrerende direktør for
EGO Europe GmbH

Dong Jianxun
kvalitetschef for Chervon

* (Autoriseret repræsentant for CHERVON og ansvarlig for tekniske dokumentationer)

01/09/2017

FEJLFINDING

| PROBLEM | ÅRSAG | LØSNING |
|------------------------|---|--|
| Startfejl. | <ul style="list-style-type: none"> ■ Batteripakken er ikke sat på buskrydderen. ■ Ingen elektrisk kontakt mellem buskrydderen og batteripakken. ■ Batteripakken er afladet. ■ Låsehåndtag og gashåndtaget er ikke blevet trykket ned samtidigt. | <ul style="list-style-type: none"> ■ Sæt batteripakken i motordelen. ■ Tag batteriet ud, kontrollér kontakterne, og sæt batteripakken i igen, indtil den klikker på plads. ■ Oplad batteriet med de opladere fra EGO, der er anført i denne vejledning. ■ Tryk låsehåndtaget ned, og hold det. Tryk derefter på gashåndtaget for at starte buskrydderen. |
| Holdt op med at virke. | <ul style="list-style-type: none"> ■ Motoren er overbelastet. ■ Der bruges kraftigt klippetråd. ■ Batteripakken eller buskrydderen er for varm. ■ Batteripakken er taget af værktøjet. ■ Batteripakken er afladet. | <ul style="list-style-type: none"> ■ Motoren vil begynde at køre igen, når belastningen mindskes. Forminsk belastningen, når der arbejdes igen. ■ Brug altid standard klippetråd af nylon med en diameter på højst 2,4mm. ■ Lad batteripakken eller motordelen køle ned, indtil temperaturen kommer under 67°C. ■ Sæt batteripakken på plads igen. ■ Oplad batteriet med de opladere fra EGO, der er anført i denne vejledning. |

DK

| PROBLEM | ÅRSAG | LØSNING |
|--|--|---|
| Klippehovedet vil ikke udtrykke mere tråd (kun ved brug med klippehoved) | <ul style="list-style-type: none">▪ Motorskaffet eller klippehovedet er fyldt med græs.▪ Der er ikke nok tråd på spolen.▪ Klippehovedet er snavset.▪ Tråden er filtret på spolen.▪ Tråden er for kort. | <ul style="list-style-type: none">▪ Stop apparatet, fjern batteriet og fjern græs fra motorskaffet og klippehovedet.▪ Fjern batteriet, og skift tråden; se afsnittet "SÅDAN SKIFTES TRÅDEN" i denne vejledning.▪ Fjern batteriet, og rens spolen, spoleholderen og spolekant.▪ Fjern batteriet, fjern tråden i spolen og spol den på igen; se afsnittet "SÅDAN SKIFTES TRÅDEN" i denne vejledning.▪ Fjern batteriet og træk i trådene, mens fjederknoppen skiftevis trykkes ned og slippes. |

GARANTI

EGO's GARANTIPOLITIK

Besøg venligst hjemmesiden egopowerplus.com for fuldstændige vilkår og betingelser for EGO's garantipolitik.

LÄS IGENOM OCH FÖRSTA BRUKSANVISNINGEN



LÄS IGENOM BRUKSANVISNINGEN

⚠ Kvarstående risker! Personer med elektroniska implantat såsom hjärtstimulatorer bör konsultera sin(a) läkare innan de använder denna produkt. Användning av elutrustning nära en hjärtstimulator kan störa eller avbryta dess funktion.

⚠ VARNING! Alla reparationer bör utföras av en kvalificerad servicetekniker för att upprätthålla produktens säkerhet och driftsäkerhet.

SÄKERHETSSYMBOLER

Syftet med säkerhetssymboler är att fästa din uppmärksamhet på eventuella risker. Säkerhetssymbolerna och deras betydelser bör uppmärksammas nogga och förstås. Själva varningssymboler kan dock inte förebygga någon fara. De instruktioner och varningar som de hänvisar till kan aldrig ersätta lämpliga olycksförebyggande åtgärder.

⚠ VARNING! Se till att läsa igenom och förstå alla säkerhetsinstruktioner i denna bruksanvisning, inklusive alla säkerhetslarmsymboler såsom „**FARA**“, „**VARNING**“ och „**FÖRSIKTIGHET**“ innan detta verktyg används. Underlåtenhet att följa alla instruktioner som listas nedan kan resultera i elektrisk stöt, brand och/eller allvarlig personskada.

SYMBOLINNEBÖRD

⚠ SÄKERHETSLARMSYMBOL: Anger **FARA**, **VARNING** eller **FÖRSIKTIGHET** och kan användas tillsammans med andra symboler eller piktogram.



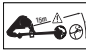






⚠ VARNING! Användning av något elverktyg kan resultera i att främmande föremål kastas in i dina ögon vilket kan leda till allvarliga ögonskador. Innan elverktyget börjar användas skall alltid skyddsglasögon eller skyddsglasögon med sidoskydd och heltäckande ansiktsskydd användas när så behövs. Vi rekommenderar att en ansiktsmask med brett synfält används ovanpå glasögonen eller standardskyddsglasögon med sidoskydd.

SÄKERHETSINSTRUKTIONER

Denna sida avbildar och beskriver säkerhetssymboler som kan visas på denna produkt. Läs igenom, förstå och följ alla instruktioner på maskinen innan försök görs att montera och hantera den.

| | | |
|--|---|---|
| | Säkerhetsvarning | Indikerar en potentiell risk för personskada. |
| | Läs igenom bruksanvisningen | För att minska risken för personskador måste användaren läst igenom och förstått bruksanvisningen innan denna produkt används. |
| | Använd skyddsglasögon! | Använd alltid skyddsglasögon eller säkerhetsglasögon med sidoskydd och en heltäckande ansiktsmask när denna produkt används. |
| | Använd hörselskydd | Använd alltid bullerskydd (öronproppar eller hörselkåpor) för att skydda din hörsel. |
| | Använd skyddshjälm | Använd en godkänd skyddshjälm för att skydda huvudet. |
| | Använd skyddshandskar | Skydda dina händer med handskar när klingan och klingkyddet hanteras. Kraftiga och halkfria handskar förbättrar ditt grepp och skyddar dina händer. |
| | Använd skyddsskor | Använd halkfria skyddsskor vid användning av denna utrustning. |
| | Se upp med klingans slungkraft | Varna operatören för faran med klingans slungkraft. |
| | Rikoschetter och håll åskådare på avstånd | Utslungade föremål kan rikoschettera och leda till skador på personer eller egendom. Se till att övriga personer och husdjur håller ett säkert avstånd från röjsågen när den används. |

SE

| | | |
|---|----------------------------|--|
|  | Håll åskådare på avstånd. | Se till att övriga personer och husdjur håller ett avstånd på minst 15 meter från trimmern när den används. |
|  | Ingen rund klinga | Sätt inte in runda klingor. |
|  | Får inte utsättas för regn | Får inte användas vid regn eller lämnas utomhus om det regnar. |
|  | CE | Denna produkt är i enlighet med gällande EG-direktiv. |
|  | WEEE | Förbrukade elektriska produkter får inte kastas i hushållssoporna. Lämnas in dem till en auktoriserad återvinningsstation. |
|  | Brus | Garanterad ljudeffektnivå. Bulleremissioner för omgivningen enligt EU-direktivet. |
| V | Volt | Spänning |
|  | Likström | Strömtyp eller -specifikation |
| n_0 | Obelastad hastighet | Rotationshastighet i obelastat tillstånd |
| ... /min | Per minut | Rotationer per minut |

VIKTIGA SÄKERHETSINSTRUKTIONER

⚠ VARNING! När produkten används måste allmänna försiktighetsåtgärder alltid följas för att minska risken för brand, elektriska stötar och personsador. Inklusive följande:

LÄS NOGA IGENOM FÖRE ANVÄNDNING

SPARA FÖR FRAMTIDA BRUK

⚠ FARA! Förlita dig inte på verktygets isolering för att skydda dig mot elektriska stötar. För att minska risken för elektriska stötar, använd aldrig maskinen i närheten av några ledningar eller kablar (strömkablar osv.) som kan vara strömförande.

⚠ VARNING! Använd lämpligt hörselskydd under användning. Under vissa förhållanden och användningar kan buller från denna produkt bidra till hörselnedsättning.

UTBILDNING

- Läs igenom instruktionerna noggrant. Bekanta dig med kontrollerna och korrekt användning av maskinen.
- Låt aldrig personer som är obekanta med dessa instruktioner eller barn använda maskinen. Lokala föreskrifter kan begränsa åldern för användare.
- Kom ihåg att operatören eller användaren är ansvarig för olyckor och faror som drabbar andra personer eller deras egendom.

FÖRBEREDELSE

- Använd aldrig produkten när personer, i synnerhet barn, eller husdjur är i närheten.
- Använd alltid ögonskydd och kraftiga skor vid användning av produkten.
- Avståndet mellan maskinen och åskådare måste vara minst 15 meter.

DRIFT

- Använd endast röjsågen i dagsljus eller i bra artificiellt ljus.
- Använd aldrig röjsågen med skadade skydd eller skärmar eller utan skydd och sköldar på plats.
- Slå endast på motorn när händer och fötter inte är i närheten av skärenheten.
- Koppla alltid bort röjsågen från strömkällan (dvs ta bort batteripacket):
 - när röjsågen lämnas obevakad;
 - innan en blockering åtgärdas;
 - innan kontroll, rengöring eller arbete utförs på röjsågen;
 - efter påkörning av ett främmande objekt;
 - när röjsåg börjar vibrera på ett onormalt sätt.
- Var försiktig med fötterna och händerna i närheten av skärenheten.
- Se alltid till att ventilationsöppningarna är fria från skärp.

UNDERHÅLL OCH FÖRVARING

- Koppla bort röjsågen från strömkällan (dvs ta bort batteripacket) innan underhåll eller rengöring utförs.

- Använd endast utbytesdelar och tillbehör som rekommenderas av tillverkaren.
- Inspektera och underhåll röjsågen regelbundet. Övertåt reparation av maskinen till en auktoriserad reparatör.
- Förvara röjsågen utom räckhåll för barn när den inte används.

ÖVRIGA SÄKERHETSVARNINGAR

- **Håll barn borta** – Alla besökare måste hållas på minst 30 m avstånd från arbetsområdet.
- **Undvik farliga miljöer** – Använd inte utrustningarna på fuktiga eller våta sluttningar.
- **Stäng alltid av röjsågen eller ta bort batteripaketet när redskapet lämnas oöversiktligt.**
- **Använd den inte i regn.**
- **Klä dig på rätt sätt** – Bär inte löst hängande klädesplagg, smycken, shorts, sandaler eller gå inte barfota. De kan fastna i maskinens rörliga delar. Använd alltid kraftiga långbyxor och en långärmad skjorta. Det rekommenderas att använda gummihandskar och kraftiga skor vid arbete utomhus. Använd skydd för håret som samlar upp och håller axellångt hår på plats.
- **Använd skyddsglasögon** – Använd alltid en ansikts- eller dammask om användningen är dammig.
- **Använd rätt verktyg** – Använd inte verktyget för något annat ändamål än det är avsett för.
- **Forcera inte röjsågen** – Den sköter sitt jobb bättre och med mindre risk för personsador i den takt som är den avsedd för.
- **Sträck dig inte** – Ha ordentligt fotfäste och balans hela tiden.
- **Var uppmärksam** – Var medveten om vad du gör. Använd sunt förnuft. Kör inte röjsågen när du är trött.
- **Kör inte röjsågen när du är påverkad av alkohol eller läkemedel.**
- **Håll skydden på plats och funktionsdugliga.**
- **Håll händer och fötter borta från röjningsområdet.**
- **Förvara röjsågen inomhus** – När den inte används ska den förvaras inomhus på en torr och hög eller låst plats med batteripaketet uttaget – utom räckhåll för barn.
- **Underhåll röjsågen med omsorg** – Håll skärenheten ren för bästa prestanda och för att minska risken för personsador. Följ instruktionerna för byte av tillbehör. Se till att handtagen är torra, rena och fria från olja och fett.
- **Kontrollera skadade delar** – Innan röjsågen används igen måste ett skydd eller någon annan del, som är skadad, kontrolleras noga för att fastställa att den fungerar korrekt och utför sin avsedda funktion. Kontrollera inställning av rörliga delar, bindning av rörliga delar, brott på delar, fästena och alla andra tillstånd som kan påverka användningen. Ett skydd eller någon annan del som är skadad bör repareras eller bytas ut av ett auktoriserat servicecenter såvida annat inte anges i denna bruksanvisning.
- **Se till att skyddet för skärenheten sitter fast ordentligt och i det av tillverkaren rekommenderade läget.**
- **Rensa området som ska beskåras före varje användning.** Ta bort alla objekt som t.ex. stenar, krossat glas, spikar, ledningar eller trådar som kan slungas ut av eller trasslas in i skärenheten. Se till att inga barn, åskådare och husdjur finns inom området. Håll alla barn, åskådare och husdjur utanför en radie om minst 15 m; även utanför 15 m-området föreligger alltfjärr risk för skador genom utslungade föremål. Uppmuntra åskådare att använda skyddsglasögon.
- **Innan du använder maskinen och efter att den slagit emot något ska du kontrollera avseende tecken på slitage eller skada och reparera om nödvändigt.**
- **Håll alltid röjsågen ordentligt under användning med båda händerna på handtagen. Håll fingrarna och tummarna runt handtagen.**
- **Undvik oavsiktlig start** – Bär inte röjsågen med fingret på avtryckaren.
- **Använd inte röjsågen i gashaltiga eller explosiva miljöer.** Motorer i denna typ av apparater genererar vanligen gnistor, vilka kan antända ångor.
- **Skada på röjsågen** – Om du slår emot ett främmande föremål med röjsågen eller om den trasslar in sig, stoppa omedelbart verktyget, ta ut batteripaketet ur röjsågen, kontrollera avseende skada och reparera all eventuell skada innan användningen återupptas. Använd inte med trasigt skydd eller skärenhet.
- **Om utrustningen börjar vibrera oronormalt, stoppa omedelbart motorn, ta ut batteripaketet ur röjsågen och sök efter orsaken.** Vibrationer är vanligen en varning för problem. En lös skärenhet kan vibrera, spricka, gå sönder eller lossna från röjsågen, vilket kan leda till allvarliga personsador eller dödsfall. Se till att skärenheten sitter korrekt monterad och säkert fastsatt. Byt omedelbart ut skärenheten om den lossnar sedan den satts fast i sitt läge. Använd aldrig en röjsåg med lös skärenhet.

SE

- **Byt omedelbart ut en sprucken, skadad eller sliten skärenhet, även om skadan är begränsad till ytliga sprickor.** En sådan enhet kan splittras vid höga varvtal och orsaka allvarliga personskador eller dödsfall.
- **För att minska risken för personskador ska du aldrig arbeta från en stege eller annat ostadigt stöd. Håll aldrig skärenheten ovanför midjehöjd.**
- **Använd aldrig annan tråd istället för trimmertrådarna av nylon, eftersom tråddelar kan brytas loss och med hög fart slungas mot operatören eller åskådarna.**
- **Håll ett bra fötfäste och balans.** Sträck dig inte för långt. Håll skärenheten under midjenivå. Håll alla kroppsdelar borta från skärenheten.
- **Kontrollera skärenheten med regelbundna, korta intervall eller omgående om skäregenskaperna förändras märkbart.**
- **Använd endast EGO- auktoriserade polymertrimmertrådar och klingtillbehör konstruerade för användning med denna röjsåg. Vissa ouktoriserade enheter kan vara extremt farliga och/eller skadliga för redskapen.**
- **Om någon närmar sig, stoppa motorn och skärenheten.**
- **Varna operatören för faran med klingans slungkraft (enbart vid användning av 3-tandad klinga).**
 - Klingans slungkraft kan uppträda när den roterande klingan kommer i kontakt med ett föremål, som den inte skär omedelbart.
 - Klingans slungkraft kan vara tillräckligt våldsamt för att enheten och/eller operatören kastas iväg åt något håll och ev förlorar kontrollen över enheten.
 - Klingans slungkraft kan frigöras utan varning om klingan fastnar, överstegras eller kärvar.
 - Det är mer sannolikt att klingans slungkraft utlöses i områden, där det är svårt att se det material som beskärs.
- **Montera inte någon klinga på en enhet utan att alla erforderliga delar installeras. Underlåtenhet att använda rätta delar kan förorsaka att klinga lossnar och allvarligt skadar operatören och/eller åskådare. Kasserar klingor som är böjda, skeva, spruckna, trasiga eller skadade på något sätt. Använd en vass klinga. Det är mer sannolikt att en slö klinga fastnar och kastar (enbart vid användning av 3-tandad klinga).**
- **Batteripaketet måste kasseras på ett säkert sätt.**
- **Aktiverad klinga/tråd kan orsaka personskada så länge som den fortsätter att rotera sedan motorn stoppats eller avtryckaren släppts upp. Bibehåll ordentlig kontroll ända tills klingan/tråden helt slutat rotera.**
- **Ladda inte batteripaketet i regn eller på våta platser.**
- **Använd endast med EGO batteripaket och laddare som listas nedan:**

| BATTERI | LADDARE |
|---|--------------------|
| BA1120E, BA1400, BA2240E, BA2800, BA3360, BA4200, BAX1300 | CH2100E CH5500E |
- **Ta ut batteripaketet ur maskinen innan den kasseras.**
- **Kassera inte batteriet i en öppen eld.** Cellerna kan explodera. Kontrollera med dina lokala lagar för särskilda instruktioner för kassering.
- **Du får inte öppna eller manipulera batteriet.** Utsläppt elektrolyt är frätande och kan orsaka skador på ögon eller hud. Den kan även vara giftig om den förtärs.
- **Var försiktig när du hanterar batterier för att inte kortsluta dem med ledande material som t.ex. ringar, armband och nycklar.** Batteriet eller ledaren kan överhettas och orsaka brännskador.
- **Reservdelar** - Vid service, använd endast identiska reservdelar från EGO. Användning av andra tillbehör och tillsatser kan öka risken för personskador.
- **Batteridrivna verktyg behöver inte vara anslutna till ett eluttag och är därför alltid redo för användning.** Var medveten om eventuella faror även när verktyget inte är igång. Var försiktig när du utför underhåll eller service.
- **Ta bort eller koppla ifrån batteripaketet före service, rengöring eller borttagning av material från röjsågen.**
- **Tvätta inte av den med en slang; låt inte vatten tränga in i motorn och de elektriska anslutningarna.**
- **Om en situation som inte beskrivs i bruksanvisningen uppstår, använd försiktighet och gott omdöme. Kontakta EGO kundtjänstcenter för hjälp.**

SPARA DESSA INSTRUKTIONER!

SPECIFIKATIONER

| | | | |
|--|-----------------------------|---|---|
| Skärenhet | Trimmerhuvud | 3-tandad metallklinga | |
| Spänning | 56 V | 56 V | |
| Obelastat varvtal | 4500-6000 /min | 4500-6000 /min | |
| Skärtrådens typ | 2,4 mm tvinnad nylonlina | / | |
| Skärklinga | / | ABB1203 | |
| Skärbredd | 38 cm | 30 cm | |
| Vikt (Utan batteripack) | 4,35 kg | 4,64 kg | |
| Uppmätt ljudeffektnivå L_{WA} | 94,80 dB(A) K=1,01 dB(A) | 94,04 dB(A) K=1,71 dB(A) | |
| Ljudtrycksnivå vid operatörens position L_{PA} | 80,2 dB(A) K=2,5 dB(A) | 80,0 dB(A) K=4,1 dB(A) | |
| Garanterad ljudeffektnivå L_{WA} (uppmätt i enlighet med 2000/14/EC) | 96 dB(A) | 96 dB(A) | |
| Utvärdering av vibration a_h | Vänster handtag | 2,28 m/s ² K=1,5 m/s ² | 1,55 m/s ² K=1,5 m/s ² |
| | Höger handtag | 2,38 m/s ² K=1,5 m/s ² | 1,88 m/s ² K=1,5 m/s ² |

- Det angivna totalvärdet för vibration är uppmätt enligt standardprovningemetoden och kan användas för att jämföra olika verktyg;
- Det angivna totalvärdet för vibration kan även användas vid preliminär utvärdering av exponering.

OBS! Den verkliga vibrationen under arbete med det eldrivna verktyget kan avvika från det angivna värdet. Användaren bör ha på sig lämpliga handskar och hörselskydd för de aktuella arbetsförhållandena för att skydda sig.

LEVERANSLISTA

| ARTIKELNAMN | ANTAL |
|------------------------------|-------|
| Röjsåg | 1 |
| 3-tandad klinga med skydd | 1 |
| Skyddsenshet | 1 |
| Mutter | 1 |
| Yttre fläns | 1 |
| Insexnyckel | 1 |
| Multifunktionell skiftnyckel | 1 |
| Dubbel axelrem | 1 |
| Bruksanvisning | 1 |

SE

BESKRIVNING

LÄR KÄNNA DIN RÖJSÅG (bild A)

1. Varvtalsbegränsningsspak
2. Startspärr
3. Vingskruv
4. Avtryckare
5. Styrstångshandtag
6. Axel
7. Skärtråd
8. Skyddsenshet
9. Trimmerhuvud
10. Tätningsskruv
11. Axellåsningshål
12. Skyddstillbehör
13. Multifunktionell skiftnyckel
14. Insexnyckel
15. 3-tandad klinga
16. Yttre fläns
17. Mutter
18. Frikopplingsknapp
19. Gummiskydd
20. Spärrhake
21. Elektriska kontaktidon
22. Utskjutningsmekanism
23. Remspanne
24. Höftdyna

⚠️ VARNING! Använd aldrig verktyget utan att skyddet är korrekt på plats. Skyddet måste alltid vara monterat på verktyget för att skydda användaren.

⚠️ VARNING! När redskapet är utrustat med trimmerhuvud måste skyddsenheten med trådsårklänga monteras på skyddet. Underlåtenhet att göra detta leder till alltför lång skärtråd och överbelastar motorn. Använd aldrig trimmerhuvudet utan skyddsenheten.

MONTERING

⚠️ VARNING! Om några delar är skadade eller saknas får röjsågen inte användas innan delarna ersätts. Användning av röjsågen med skadade eller saknade delar kan resultera i allvarliga personskador.

⚠️ VARNING! Försök inte modifiera röjsågen eller skapa tillbehör som inte rekommenderas för användning med denna produkt. Alla sådana ändringar eller modifieringar utgör missbruk och kan leda till farliga förhållanden som ev leda till allvarliga personskador.

⚠️ VARNING! Använd alltid kraftiga handskar vid montering eller demontering av skydd och underhållsarbete på den 3-tandade klingan/trådsårklängan. Var försiktig med trådsårklängan på skyddet/3-tandade klingan och skydda dina händer från att skadas av klingorna.

⚠️ VARNING! För att förhindra oavsiktlig start, som kan orsaka allvarliga personskador, skall alltid batteripaketet tas bort från redskapet vid montering av delar eller transport av maskinen.

⚠️ VARNING! Använd aldrig verktyget utan att skyddet och styrstångshandtaget sitter korrekt på plats. Underlåtenhet att följa detta kan resultera i allvarliga personskador.

MONTERA OCH JUSTERA STYRSTÅNGSHANDTAGET

Röjsågen förvaras såsom visas på bild B. Börja med att lossa vingskruven på skarvstaget och lyft sedan styrstångshandtaget 180° runt axeln (bild C) och vrid det moturs 90°, så att det vänder mot bufferten (bild D). För det slutligen fram och tillbaka för att åstadkomma ett bekvämt arbetsläge och dra fast skruven.

OBS! Det är bara tillåtet att köra redskapet med handtaget vinkelrätt mot axeln.

MONTERA SKYDDET

Lossa och ta bort de två skruvarna från axelns bas (bild E), räkta in skyddets fästhål mot monteringshålen och lås sedan fast skyddet till axelns bas med de två skruvarna och fjäderbrickorna (bild F).

Säkerställ att skyddet är korrekt fastsatt enligt bild E och F. En omvänd fastsättning är mycket farligt!

BYTA UT TRIMMERHUVDDET MED DEN 3-TANDEDE KLINGAN

Ta fram trimmerhuvudet (bild G) och följ stegen som visas i bild H-1, bild H-4 (se avsnittet "träbyte") är för att demontera trimmerhuvudet. Följ stegen nedan för att montera klingan:

1. För att montera metallklingan (bild I).
2. Avlägsna skyddet genom att lossa de tre skruvarna med brickor (bild J).
3. Klingan levereras med ett skydd. Innan klingan monteras på röjsågen ska skyddet avlägsnas genom att lossa fästråden från kroken på skyddet (bild K).

Bild G-K Se nedan för beskrivning av delar:

| | | | |
|-----|------------------|-----|--------------------------|
| G-1 | Inre fläns | I-3 | Flänskåpa |
| G-2 | Flänskåpa | I-4 | 3-tandad klinga |
| G-3 | Övre hölje ASSY | I-5 | Yttre fläns |
| G-4 | Bricka | I-6 | Mutter |
| G-5 | Mutter | I-7 | Slits i flänsen |
| G-6 | Fjäder | J-1 | Skärblad för trimmertråd |
| G-7 | Skärtråd | J-2 | Skyddstillbehör |
| G-8 | Nedre hölje ASSY | K-1 | Fästråd |
| I-1 | Motoraxel | K-2 | Krok |
| I-2 | Inre fläns | | |

OBS! För att skydda dig mot skador måste du använda handskar innan du utför något arbete med den 3-tandade klingan.

4. Rotera motoraxeln för att räkta in skåran i flänsen mot axellåsningshålet på växelhuset (bild L).
5. För in insexnyckeln i de uppriktade hålen för att fungera som en stabilisator (bild M).

Bild L & M Se nedan för beskrivning av delar:

| | | | |
|-----|----------------------------|-----|--------------|
| L-1 | Växelhus | L-3 | Motoraxel |
| L-2 | Uppriktade axellåsningshål | M-1 | Stabilisator |

6. Montera klingan på motoraxeln och se till att dess yta ligger i nivå med ytan på innerflänsens utbuktning. Montera yttre flänsen och muttern (bild N). Fördra muttern för hand i MOTURS riktning.

Bild N. Se nedan för beskrivning av delar:

| | |
|-----|-----------------|
| N-1 | Mutter |
| N-2 | Yttre fläns |
| N-3 | 3-tandad klinga |

7. Placera växelhuset på en stabil yta där det får stöd. Håll röjsågens axel med ena handen och ta med andra handen tag i universalskiftryckeln för att dra åt muttern i enlighet med riktningspilen som finns markerad på yttre flänsen (bild O).

ANVÄNDNING AV SKYDDSENHETEN

OBS! När röjsågen är utrustad med ett trimmerhuvud, måste skyddsenheten monteras på skyddet.

Sätt fast skyddsenheten på skyddet genom att dra åt de tre skruvarna med insexnyckeln när trådsårklingan sitter på skyddsenheten. Underlåtenhet att göra detta kan leda till alltför lång trimmertråd och överbelastning av motorn.

ANVÄNDNING

⚠ VARNING! Bli inte vårdslös bara för att du är bekant med denna produkt. Kom ihåg att oaktsamhet under en bråkdel av en sekund är tillräckligt för att orsaka allvarliga skador.

⚠ VARNING! Använd alltid ögonskydd, tillsammans med hörselskydd. Om du inte gör så kan det resultera i att föremål kastas in i ögonen och andra möjliga allvarliga skador.

⚠ VARNING! Använd inga andra tillsatser eller tillbehör än de som rekommenderas av tillverkaren av denna produkt. Användning av tillbehör eller tillsatser som inte rekommenderas kan resultera i allvarlig personskada.

TILLÄMPNINGAR

Du kan använda röjsågen för de tillämpningar som listas nedan:

- **Med 3-tandad metallklinga:** Klippa gräs, ogräs, vildväxande vegetation samt gallra unga bestånd med en max stamdiameter om 2 cm.
- **Med trimmerhuvud:** Klippa gräs och ogräs runt verandar, staket och altaner.

OBS! Verktyget får endast användas för sitt avsedda ändamål. All annan användning, t.ex. häcktrimning, anses vara en felaktig användning.

FÄSTA/TA LOSS BATTERIPAKETET

Ladda fullt före första användning.

För fastsättning

Rikta in listerna på batteriet med monteringsspåren och tryck sedan ner batteripaketet tills du hört ett "klick" (bild P).

För borttagning

Tryck in lossningsknappen för batteriet och dra sedan ut batteripaketet (bild Q).

Bild P. Se nedan för beskrivning av delar:

| | |
|-----|----------------|
| P-1 | Monteringsspår |
| P-2 | List |

MONTERA DUBBEL AXELREM OCH HÅLLA MASKINEN

Placera den dubbla axelremmen på kroppen och för in remspännets båda delar i varandra tills ett klickljud hörs (bild R-1). Rikta upp kroken på höftdynan mot hålet i den på axeln fastsatta rörklamman och tryck försiktigt ned axeln (bilderna R-2, R-3 och R-4).

Håll trådtrimmern med båda händerna till höger om kroppen (bild S). Trimmerhuvudet eller klingan ska vara parallell med marken på korrekt klippavstånd utan att operatören böjer sig.

Röjsågen kan kopplas loss på två sätt. Lossa remspännet (bild T) eller tryck på haken på remmen och ta isär den från rörklamman på axeln (bild R-2).

⚠ VARNING! I en ev nödsituation ska du omedelbart ta bort den från dina axlar, oavsett hur remmen sitter. Lossa remspännet (bild T) och lyft med båda händerna bort den från axlarna på båda sidor, vilket är ett snabbt sätt att kopplas loss den.

⚠ VARNING! Använd inte den enskilda och den dubbla axelremmen samtidigt.

STARTA/STOPPA RÖJSÅGEN

Starta

Tryck in startspärren och håll in den i det läget. Tryck in avtryckaren för att starta (bild U).

När avtryckaren trycks ner olika hårt resulterar det i variabel rotationshastighet för skärenheten. Justera vid behov varvtalsbegränsningsspaken för att reglera maxvarvtalet.

OBS! Varvtalsbegränsningsspaken kan också förinställas för att begränsa avtryckarens rörelsesträcka.

SE

Stoppa

Släpp upp avtryckaren.

OBS! Motorn körs endast när både startspärren och avtryckaren trycks in.

⚠ VARNING! Ta alltid ut batteripaketet ur trädtrimmern vid arbetspauser och efter att du har jobbat klart.

ANVÄNDNING AV MASKINEN

⚠ VARNING! Använd korrekta kläder för att minska risken för personskador vid användning av röjsågen. Bär inte löst sittande kläder eller smycken. Använd ögon- och öron-/hörselskydd. Använd rejäla långbyxor, kängor och handskar. Använd inte shorts, sandaler eller gå barfota. Innan du arbetar ska du se dig omkring för att förvissa dig om att arbetsområdet är säkert utan andra personer, djur eller lösa föremål. Se till att andra befinner sig minst 15 m borta. Kontrollera sedan ögonskydd, korrekt klädsel och gott fotfäste.

Kontrollera avseende skadade/slitna delar före varje användning. Kontrollera trimmerhuvud, 3-tandad klinga, skydd, skyddsenshet, styrtångshandtag och dubbla axelremmen och byt ut delar som är spruckna, skeva, böjda eller skadade på något sätt. Skärbladet för trädskapning på kanten av skyddet kan bli slött efter en tid. Det rekommenderas att vässa det regelbundet med en fil eller byta ut det mot ett nytt skärblad.

Rengör röjsågen efter varje användning

ANVÄNDNING MED TRIMMERHUVUD

Justera skärträdens längd

Trimmerhuvudet låter operatören dra ut mer skärtråd utan att motorn behöver stoppas. När tråden blir fransig eller sliten kan mer tråd frigöras genom att knacka stötknappen lätt mot marken när trimmern är igång (bild V).

OBS! Tråden blir svårare att mata ut i takt med att skärtråden blir kortare.

⚠ VARNING! Ta inte bort eller modifiera skärbladet för tråden. En för lång tråd får motorn att överhettas och kan resultera i allvarliga personskador.

Byta ut tråden

OBS! Använd alltid rekommenderade nylontråd med en diameter som inte överstiger 2,4 mm. Om en annan tråd än den som anges används kan röjsågen överhettas eller skadas.

⚠ VARNING! Använd aldrig metallförstärkta trådar, kablar eller rep osv. Dessa kan gå av och bli farliga projektiler.

1. Ta bort batteripaketet.
2. Ta bort den återstående skärtråden om så krävs.
3. Vrid efter behov spolhållaren i pilens riktning för att rikta in tråden som ska LADDAS på spolhållaren mot öglehålen på spolens bas (bild W-1).
4. Skär av 5 m skärtråd och för in tråden i monteringshålet inuti öglehålet (bild W-2). Tryck in och dra tråden från den andra sidan tills en likvärdig längd syns på spolens båda sidor (bild W-3).
5. Tryck ner och vrid spolhållaren i pilens riktning för att linda upp tråden på spolen tills cirka 14 cm av tråden syns på vardera sida (bild W-4).
6. Tryck ner spolhållaren medan tråden dras ut manuellt för att förlänga den och för att kontrollera att trimmerhuvudet är korrekt monterat.

När skärtråden går av från trådtutgången eller om skärtråden inte frigörs när trimmerhuvudet knackas lätt, följ stegen nedan:

1. Ta bort batteripaketet.
2. Tryck in lossningsflikarna på spolhållaren och ta bort spolhållaren genom att dra den rakt ut (bild H-1 och H-2).
3. Ta bort skärtråden från spolhållaren.
4. Medan ena handen håller spolbasen, använd den andra handen för att greppa spolhållaren och rikta in flikarna på spolhållaren mot hålen på spolbasen (bild X-1). Tryck med handflatan in och vrid spolhållaren åt höger och vänster tills flikarna går i ingrepp på spolbasen (bild X-2).
5. Ladda skärtråden på nytt.

ANVÄNDNING MED 3-TANDAD METALLKLINGA

⚠ VARNING! För att klippa vildvuxna ytor och busksnår ska du sänka ned den 3-tandade klingan över växtligheten för att få en sönderdelningsverkan. Använd röjsågen som en lie (svep med den åt höger och vänster) i markplan. Använd inte skärenheten ovanför midjehöjd.

⚠ VARNING! Ju högre skärenheten hålls ovanför marken, desto större är risken att skadas genom att klippt material slungas ut åt sidorna.

⚠ VARNING! När du gallrar unga bestånd eller andra material av trätyp upp till 2 cm diameter ska du använda klingans vänstra sida för att undvika situationer med klingans slungkraft. Försök inte skära träliknande material med grövre diameter, eftersom klingan kan fånga upp eller rycka röjsågen framåt. Detta kan ge upphov till skada på klingan eller röjsågen eller förlust av kontroll över röjsågen, vilket medför personskador.

⚠ VARNING! Felaktig användning av en klinga kan medföra att den spricker, bitar slås ur eller att den splittras. Utslungade delar kan allvarligt skada operatören eller åskådare. För att minska risken för personskador är det viktigt att vidta följande försiktighetsåtgärder:

- Undvik kontakt med hårda eller massiva främmande föremål, t.ex. stenar, klippor eller metallföremål.
- Beskär aldrig träd eller snår med en stamdiameter över 2 cm.
- Se över klingan med regelbundna korta intervall avseende tecken på skada. Fortsätt inte arbeta med en skadad klinga.
- Skärp klingan regelbundet (när den blivit märkbart slöare) och få den balanserad vid behov (med hjälp av en kompetent servicetekniker).

Klingans slungkraft

Var extremt försiktig när du använder den 3-tandade klingan till denna enhet. Klingans slungkraft är den reaktion som kan utlösas när den roterande klingan kommer i kontakt med något den inte kan skära av. Denna kontakt kan medföra att klingan stannar till ett ögonblick och plötsligt "slungar" iväg enheten från det träffade föremålet. Reaktionen kan vara tillräckligt våldsamt för att orsaka att operatören tappar kontrollen över enheten. Klingans slungkraft kan uppkomma utan varning om klingan fastnar, överstegras eller kärvar. Detta inträffar mer sannolikt i områden där det är svårt att se det material som skärs. För enkel och säker skärning ska du ta dig an aktuellt ogräs med röjsågen från höger till vänster. Denna rutin kan minimera klingans slungkraftsreaktion om ett oväntat föremål eller trädstubbe kommer i vägen.

UNDERHÅLL

⚠ VARNING! Före inspektion, rengöring eller service av enheten, stoppa motorn, vänta tills alla rörliga delar har stannat och ta sedan ur batteripaketet. Underlåtenhet att följa dessa instruktioner kan resultera i allvarliga personskador eller skada på egendom.

⚠ VARNING! Vid service ska enbart identiska utbyteskomponenter användas. Användning av andra delar kan skapa risker eller orsaka produktskador. För att garantera en säker och pålitlig användning måste alla reparationer utföras av en kvalificerad servicetekniker.

ALLMÄNT UNDERHÅLL

Använd inte lösningsmedel när du rengör plastdelarna. De flesta plaster är känsliga för skador från olika typer av kommersiella lösningsmedel och kan skadas om dessa används. Använd rena trasor för att ta bort smuts, damm, olja, fett osv.

RENGÖRA MASKINEN

- Efter varje användning av den 3-tandade klingan/trimmerhuvudet ska du rengöra klingan och skyddet från skräp, ansamlad jord eller gräs med en mjuk borste.

OBS! När tråds kärningsklingan blir slö, låt en kompetent servicetekniker skärpa den eller byt ut den mot en ny om så behövs.

- Efter varje användning av röjsågen ska du rengöra skärenheten med hjälp av en fuktad trasa med mildt rengöringsmedel.
- Använd inte starka rengöringsmedel på plasthöljet eller handtaget. De kan skadas av vissa aromatiska oljor som t.ex. tall och citron, samt av lösningsmedel som t.ex. fotogen. Fukt kan även utgöra en risk för elektriska stötar. Torka bort fukt med en mjuk och torr trasa.
- Använd en liten borste eller en liten dammsugare för att rengöra luftventilerna på det bakre höljet.

FÖRVARA MASKINEN

- Ta bort batteripaketet från redskapet.
- Använd kraftiga handskar för grundlig rengöring av redskapet.
- Montera klingskyddet på den 3-tandade klingan för säker förvaring (bild Y).
- Förvara enheten på en torr, välventilerad plats, inlåst eller högt upp, utom räckhåll för barn. Förvara inte enheten på eller i anslutning till gödningsmedel, bensin eller andra kemikalier.

SE

Miljöskydd



Kasta inte elektrisk utrustning, batteriladdare och batterier/laddningsbara batterier i hushållsoporna.

I enlighet med direktiv 2012/19/EU måste elektrisk och elektronisk utrustning som inte längre är användbar och enligt direktiv 2006/66/EG måste defekta eller förbrukade batteripaket/batterier samlas in separat.

Om elektriska enheter hamnar i soptippar eller avfallsdepåer kan farliga ämnen läcka ut till grundvattnet, hamna i näringskedjan och skada din hälsa och ditt välmående.

SE

EG-FÖRSÄKRAN OM ÖVERENSSTÄMMELSE



Vi, EGO EUROPE GMBH.

Wahlwiesenstrasse 1, D-71711 Steinheim an der Murr Deutschland

Intygat att produkten **RÖJSÅG MED BAKRE MOTOR, STYRSTÅNGSHANDTAG OCH 56 V LITUMJONBATTERI BC3800E** uppfyller de grundläggande hälso- och säkerhetskraven i följande direktiv:

2006/42/EG, 2014/30/EU, 2011/65/EU, 2000/14/EG

Standarder och tekniska specifikationer som avses:

EN ISO 11806-1, EN 60745-1, EN 55014-1, EN 55014-2, IEC 62321.

| | Trimmerhuvud | 3-tandad metallklinga |
|----------------------------|--------------|-----------------------|
| Uppmätt ljudeffektnivå: | 94,80 dB(A) | 94,04 dB(A) |
| Garanterad ljudeffektnivå: | 96 dB(A) | 96 dB(A) |

Bedömningen av överensstämmandet i bilaga VI följs enligt 2000/14/EG.

Anmält organ: DEKRA Certification B.V. Meander 1051 / P.O. box 5185 6525 MJ ARNHEM / 6802 ED ARNHEM, Netherlands

Anmält organnummer: 0344

Peter Melrose
VD för EGO Europe GmbH

Dong Jianxun
Kvalitetsansvarig hos Chervon

* (Auktoriserad representant för CHERVON och ansvarig för teknisk dokumentation)

01/09/2017

FELSÖKNING

| PROBLEM | ORSAK | LÖSNING |
|-----------------|---|---|
| Startar inte. | <ul style="list-style-type: none"> ■ Batteripaketet är inte monterat på röjsågen. ■ Det saknas elektrisk kontakt mellan röjsågen och batteripaketet. ■ Batteripaketet är urladdat. ■ Startspärren och avtryckaren trycks inte in samtidigt. | <ul style="list-style-type: none"> ■ Montera batteripaketet på motorenheten. ■ Ta bort batteriet, kontrollera kontakterna och sätt tillbaka batteripaketet tills det klickar på plats. ■ Ladda batteripaketet med EGO-laddarna som listas i denna bruksanvisning. ■ Tryck in startspärren och håll den nertryckt, tryck sedan in avtryckaren för att sätta igång röjsågen. |
| Slutar fungera. | <ul style="list-style-type: none"> ■ Motorn är överbelastad. ■ Tung skärtråd används. ■ Batteripaketet eller röjsågen är överhettade. ■ Batteripaketet är inte anslutet till verktyget. ■ Batteripaketet är helt tomt. | <ul style="list-style-type: none"> ■ Motorn startar igen när belastningen har tagits bort. För kontinuerlig användning, minska motorenhetens belastning. ■ Använd standardnylontråd med en diameter som inte överstiger 2,4 mm. ■ Låt batteripaketet eller motorenheten svalna tills temperaturen sjunker under 67 °C. ■ Montera batteripaketet igen. ■ Ladda batteripaketet med EGO-laddarna som listas i denna bruksanvisning. |

SE

| PROBLEM | ORSAK | LÖSNING |
|---|---|--|
| Trimmerhuvudet matar inte fram tråden (enbart vid användning av trimmerhuvud) | <ul style="list-style-type: none">■ Motoraxeln eller trimmerhuvudet är intrasslat i gräs.■ Det finns inte tillräckligt med tråd på spolen.■ Trimmerhuvudet är smutsigt.■ Tråden har trasslat sig i spolen.■ Tråden är för kort. | <ul style="list-style-type: none">■ Stoppa maskinen, ta ut batteriet och ta bort gräset från motoraxeln och trimmerhuvudet.■ Ta ut batteriet och byt ut skärtråden; följ instruktionerna i avsnittet "BYTA UT TRÅDEN" i denna bruksanvisning.■ Ta ut batteriet och rengör spolen, spolhållaren och spolens bas.■ Ta ut batteriet, ta bort tråden från spolen och linda in den igen; följ instruktionerna i avsnittet "BYTA UT TRÅDEN" i denna bruksanvisning.■ Ta ut batteriet och dra i tråden medan stötknappen växelvis trycks in och släpps upp. |

SE

GARANTI

GARANTIVILLKOREN AV EGO

Var god besök webbplatsen egopowerplus.com för att se de fullständiga garantivillkoren av EGO.

LUE KAIKKI OHJEET!



LUE KÄYTTÖOPAS

⚠️ A VAARA: Henkilöiden, joilla on elektroniikkalaitteita, kuten sydämentahdistimia, tulee neuvotella lääkärin kanssa ennen tuotteen käyttöä. Sähkölaitteiden käyttö sydämentahdistimen läheisyydessä voi aiheuttaa tahdistimeen häiriöitä tai vikoja

⚠️ VAROITUS: Valtuutetun huoltoteknikon tulee suorittaa kaikki korjaukset ja osien vaihdot, jotta voidaan taata tuotteen turvallinen ja luotettava käyttö.

TURVALLISUUSSYMBOLIT

Turvamerkkien tavoitteena on kiinnittää huomio mahdollisiin vaaroihin. Sinun tulee lukea huolellisesti käyttöohjeet ja ymmärtää turvamerkit ja niiden selitteet. Turvamerkit eivät itsessään poista vaaraa. Niiden antamat ohjeet ja varoitukset eivät korvaa asianmukaisia tapaturman torjuntatoimenpiteitä.

⚠️ VAROITUS: Lue ja ymmärrä tämän käyttöoppaan kaikki turvallisuusohjeet, mukaan lukien kaikki turvallisuusvaroitussymbolit, kuten "VAARA", "VAROITUS" ja "HUOMIO" ennen laitteen käyttämistä. Alla olevien ohjeiden noudattamatta jättäminen saattaa aiheuttaa sähköiskun, tulipalon ja/tai vakavan henkilövahingon.

SYMBOLIN MERKITYS

⚠️ TURVALLISUUSVAROITUKSEN SYMBOLI: Ilmaisee VAARAA, VAROITUSTA tai HUOMIOTA, voidaan käyttää muiden symboleiden tai kuvamerkkien yhteydessä.




⚠️ VAROITUS: Minkä tahansa sähkötyökalan käyttö saattaa aiheuttaa vierasesineiden sinkoutumisen silmiin, mikä voi aiheuttaa vakavia silmävammoja. Käytä aina suojalaseja, joissa on sivusuojat, ja tarvittaessa koko kasvot peittävää suojaa, kun käytät sähkötyökaluja. Silmälasiensa päällä suosittelemme käytettäväksi suojamaskia, jossa on laaja näkökenttä, tai tavallisia suojalaseja, joissa on sivusuojat.

TURVALLISUUSOHJEET

Tällä sivulla kuvataan ja esitellään turvallisuussymbolit, jotka saattavat esiintyä tässä tuotteessa. Lue, ymmärrä ja noudata kaikkia laitteen ohjeita ennen kuin yrität koota sen tai käyttää sitä.

| | | |
|--|---|---|
| | Turvallisuushälytys | Ilmaisee mahdollista henkilövahinkojen vaaraa. |
| | Läs Igenom Bruksanvisningen | Käyttäjän tulee ennen käytön aloittamista lukea käyttöopas ja ymmärtää se loukkaantumisriskin pienentämiseksi. |
| | Använd skydds-glasögon! | Käytä aina suojalaseja, joissa on sivusuojat, ja koko kasvot peittävää suojaa, kun käytät laitetta. |
| | Använd hörselskydd | Käytä aina kuulosuojaimia (korvatulpat tai kupusuojaimet) suojaamassa kuuloasi. |
| | Käytä suojakypärää | Käytä hyväksyttyä suojakypärää suojataksesi pääsi. |
| | Käytä suojakäsineitä | Käytä suojakäsineitä, kun käsittelet terää tai teränsuojasta. Kestävät, liukumattomat hansikkaat parantavat otetta ja suojaavat käsiäsi. |
| | Käytä turvajalkineita | Käytä luistamattomia turvajalkineita laitteen käytön aikana. |
| | Varo terän työntövoimaa | Varoita käyttäjää terän takaiskun vaarallisuudesta. |
| | Kimpoamisvaara, pidä sivulliset etäällä | Sinkoutuvat esineet voivat kimmota ja aiheuttaa henkilö- tai omaisuusvahingon. Varmista, että muut ihmiset ja lemmikit ovat etäällä, kun pensasleikkuria käytetään. |
| | Pidä sivulliset etäällä | Varmista, että muut ihmiset ja lemmikit ovat vähintään 15 m päässä siimaleikkurista, kun se on käytössä. |

FI

| | | |
|---|----------------------|---|
|  | Ei pyöreää terää | Älä asenna pyöreitä leikkuuteriä. |
|  | Älä altista sateelle | Älä käytä sateella tai jätä ulos sateeseen. |
|  | CE | Tämä tuote vastaa sovellettavia EU-direktiivejä. |
|  | WEEE | Vanhoja sähkölaitteita ei saa hävittää kotitalousjätteen mukana. Vie laite valtuutettuun kierrätyslaitokseen. |
|  | Melu | Taattu äänen tehotaso. Melupäästöt ympäristöön Euroopan yhteisön direktiivin mukaiset. |
| V | Voltti | Jännite |
|  | Tasavirta | Virran tyyppi tai virtajännite-ominaiskäyrä |
| n ₀ | Tyhjäkäyntinopeus | Pyörimisnopeus, kuormittamattomana |
| .../min | Pyörintänopeus | Kierrosta minuutissa |

FI

TÄRKEITÄ TURVALLISUUSOHJEITA

VAROITUS! Tätä laitetta käytettäessä on aina noudatettava perusturvallisuusohjeita, jotta vältät tulipalovaaran, sähköiskut ja henkilövahingot, mukaan lukien seuraavat:

LUE HUOLELLISESTI ENNEN KÄYTTÖÄ

SÄILYTÄ MYÖHEMPÄÄ TARVETTA VARTEN

VAARA! Älä luota työkalun sähköiskueristykseen. Älä käytä laitetta mahdollisesti sähköä johtavien johtojen tai kaapeleiden (esim. virtajohtojen) lähellä sähkötapaturmien välttämiseksi.

HUOMIO! Käytä asianmukaisia kuulosuojaimia käytön aikana. Tuotteen melu voi aiheuttaa kuulon heikkenemistä tietyissä olosuhteissa ja tietyn käyttöajan jälkeen.

OPETTELU

- Lue ohjeet huolellisesti. Tutustu säätimiin ja koneen oikeaan käyttöön.
- Älä ikinä anna henkilöiden, jotka eivät tunne näitä ohjeita, tai lasten käyttää laitetta. Paikalliset säädökset saattavat rajoittaa käyttäjän ikää.
- Muista, että käyttäjä on vastuussa onnettomuuksista tai vaaratilanteista, jotka kohdistuvat sivullisiin tai omaisuuteen.

VALMISTELU

- Älä koskaan työskentele laitteella, jos lähellä on ihmisiä, etenkin lapsia, tai lemmikkieläimiä.
- Käytä aina suojalaseja ja turvajalkineita laitetta käyttäessäsi.
- Laitteen ja sivullisten välillä tulisi olla vähintään 15 m etäisyys.

KÄYTTÖ

- Käytä pensasleikkuria vain päivänvalossa tai hyvässä keinovalaistuksessa.
- Älä koskaan käytä pensasleikkuria, jonka suojat tai suojuukset ovat vahingoittuneet tai jossa ei ole lainkaan suojaa tai suojuksia.
- Käynnistä moottori vasta silloin, kun kädet ja jalat ovat etäällä leikkaavista osista.
- Irrota pensasleikkuri aina virtalähteestä (dvs poista akku).
 - aina kun jätät pensasleikkurin ilman valvontaa;
 - ennen kuin puhdistat tukoksen;
 - ennen kuin tarkastat, puhdistat tai teet toimenpiteitä pensasleikkurille;
 - osuttuasi vieraaseen esineeseen;
 - aina kun pensasleikkuri alkaa täristä epänormaalisti.
- Varo, etteivät kätesi tai jalkasi osu leikkuuteriin.
- Varmista, että tuuletusaukot ovat aina puhtaat roskista.

KUNNOSSAPITO JA SÄILYTYS

- Irrota pensasleikkuri aina virtalähteestä (dvs poista akku) ennen kunnossapitotoimenpiteitä tai puhdistamista.
- Käytä vain valmistajan suosittelemia varaosia ja lisävarusteita.
- Tarkasta pensasleikkuri ja huolla sitä säännöllisesti. Anna vain valtuutettujen korjaajien korjata konetta.
- Kun pensasleikkuri ei ole käytössä, säilytä sitä poissa lasten ulottuvilta.

MUUT TURVALLISUUSVAROITUKSET

- **Pidä lapset etäällä** – kaikkien ulkopuolisten tulisi pysyä vähintään 15 metrin päässä työskentelyalueesta.
- **Vältä vaarallisia olosuhteita** – älä käytä laitteita kosteissa tai märissä rinteissä.
- **Sammuta pensasleikkuri tai poista akku aina, kun jätät työkalun ilman valvontaa.**
- **Älä käytä sateessa.**
- **Pukeudu asianmukaisesti** – älä käytä väljiä vaatteita, shortseja, sandaaleja tai ole paljain jaloin. Ne voivat hakertua liikkuviin osiin. Käytä aina kestäviä pitkälahkeisia housuja ja pitkähihaista paitaa. Kumikäsineiden ja tukevien jalkineiden käyttö on suositeltavaa ulkona työskennellessä. Käytä hiuserkkoa siten, että pitkät hiukset eivät ulotu olkapäille.
- **Käytä suojalaseja** – käytä aina kasvosuojainta tai hengityssuojainta, jos käyttö aiheuttaa pölyä.
- **Käytä oikeaa työkalua** – älä käytä työkalua mihinkään muuhun työhön kuin siihen, mihin se on tarkoitettu.
- **Älä pakota pensasleikkuria** – työ onnistuu paremmin ja turvallisemmin, kun laitetta käytetään sillä teholla, johon se on tarkoitettu.
- **Älä kurkota** – seiso aina tukevasti ja tasapainossa.
- **Ole valpas** – tee työ tarkkaavaisesti. Käytä tervettä järkeä. Älä käytä pensasleikkuria, jos olet väsynyt.
- **Älä käytä pensasleikkuria, jos olet alkoholin tai huumeiden vaikutuksen alaisena.**
- **Pidä suojukset paikallaan ja toimintakuntoisina.**
- **Pidä kätesi ja jalkasi etäällä leikkuualueesta.**
- **Säilytä pensasleikkuri sisätiloissa** – kun pensasleikkuri ei ole käytössä, se kannattaa säilyttää sisätiloissa kuivassa paikassa ja korkealla tai lukitussa tilassa ilman akkua. Pidä laite poissa lasten ulottuvilta.
- **Pidä pensasleikkurista hyvää huolta** – pidä leikkuuosia puhtaana, niin se toimii mahdollisimman hyvin ja loukkaantumisvaara on pienempi. Noudata lisävarusteiden vaihtamista koskevia ohjeita. Pidät kahvat kuivina, puhtaina sekä öljyttöminä ja rasvattomina.
- **Tarkasta vaurioituneet osat** – Suojus tai muu vaurioitunut osa tulee tarkastaa huolellisesti ennen pensasleikkurin käytön jatkamista, jotta voidaan varmistaa sen toimiminen asianmukaisella tavalla ja täyttävän sille tarkoitetun tehtävän. Tarkasta liikkuvien osien kohdistus ja niiden kiinnileikkaaminen, osien ehjyys, asennus sekä kaikki muut tekijät, jotka voivat vaikuttaa toimintaan. Suojus tai muu vahingoittunut osa tulee viedä valtuutettuun huoltoilikeeseen korjattavaksi tai vaihdettavaksi, ellei tässä käyttöoppaassa toisin mainita.
- **Varmista, että kaikki kiinnittimet ovat paikoillaan ja kiinni. Varmista, että leikkuuterän suojus on kunnolla kiinnitetty ja valmistajan suosittelussa asennossa.**
- **Tyhjennä leikattava alue ennen jokaista käyttökertaa.** Poista kaikki esineet, kuten kivet, rikkoutunut lasi, naulat, vaijerit tai siimat, jotka voivat sinkoutua leikkuulaitteesta tai sotkeutua siihen. Huolehdi, ettei alueella ole lapsia, sivullisia tai lemmikkejä. Pidä lapset, sivulliset ja lemmikkieläimet vähintään 15 metrin päässä. 15 metrin säteen ulkopuolellakin on sinkoutuvien esineiden vaara. Sivullisia tulee kannustaa pitämään suojalaseja.
- **Ennen pensasleikkurin käyttämistä sekä jokaisen iskun jälkeen, tarkista, onko laitteessa kulumista tai onko se vahingoittunut, ja korjauta se tarvittaessa.**
- **Pidä pensasleikkuria käytön aikana kunnolla kiinni, molemmat kädet kahvoilla. Kierrä sormet kahvojen ympärille.**
- **Vältä vahingossa käynnistämistä** – älä kannata pensasleikkuria sormi liipaisimella.
- **Älä käytä pensasleikkuria paikoissa, joissa on kaasua tai räjähdysvaara.** Näiden laitteiden moottorit kipinöivät, ja kipinät saattavat sytyttää höyryt.
- **Pensasleikkurin vaurioituminen** – Jos pensasleikkuri osuu tuntemattomaan esineeseen tai tarttuu kiinni johonkin, sammuta työkalu välittömästi, poista akku pensasleikkurista, tarkasta laitteen vauriot ja korjauta mahdolliset vauriot ennen työskentelyn jatkamista. Älä käytä työkalua, jos sen suojus tai terä on vaurioitunut.
- **Jos laite alkaa täristä epätavallisesti, sammuta moottori, poista akku pensasleikkurista ja etsi tärinän aiheuttaja.** Tärinä on yleensä merkki häiriöistä. Löysällä oleva terä saattaa täristä, murtua, rikkoutua tai irrota pensasleikkurista. Tämä saattaa johtaa vakavaan henkilövahinkoon tai jopa kuolemaan. Varmista, että leikkaava terä on kunnolla asennettu ja kiinnitetty. Jos terä löystyy sen jälkeen, kun se on kiinnitetty paikalleen, vaihda se välittömästi. Älä koskaan käytä pensasleikkuria, jonka teräosa on löystynyt.
- **Vaihda murtunut, vaurioitunut tai kulunut terä välittömästi, vaikka vahinko rajoittuisikin vain pintavaurioihin.** Vaurioitunut osa saattaa särkyä kovissa nopeuksissa ja aiheuttaa vakavan henkilövahingon tai jopa kuoleman.
- **Älä koskaan työskentele tikkailla tai muilla epävakailta alustoilla henkilövahinkojen vaaran välttämiseksi. Älä ikinä pidä leikkuuterää vyötärötasoa korkeammalla.**

- **Älä koskaan käytä muita siimoja kuin nailonsiimaa. Siiman palat voivat katketa ja sinkoutua kovalla vauhdilla kohti käyttäjää tai sivullisia.**
- **Seiso tukevasti ja tasapainossa.** Älä kurkota. Pidä leikkuuterä vyötärön tason alapuolella. Pidä kaikki kehonosat poissa pyörivän leikkuuterän läheltä.
- **Tarkasta leikkuuterä säännöllisin väliajoin käytön aikana tai heti, jos laitteen leikkuuteho muuttuu merkittävästi.**
- **Käytä vain EGO:n hyväksymiä polymeerisiimoja ja terävarusteita. Käytä vain tähän laitteeseen tarkoitettua leikkuusiimaa ja terää. Muiden valmistajien varusteet voivat olla erittäin vaarallisia ja/tai vaurioittaa työkaluja.**
- **Jos joku lähestyy sinua, sammuta moottori ja leikkuulaite.**
- **Varoita käyttäjää terän takapotkun aiheuttamasta vaarasta (vain käytettäessä 3-hampaista terää).**
 - Takapotku saattaa tapahtua, kun pyörivä terä osuu kohteeseen, joka ei heti katkea.
 - Terän takapotku voi olla niin voimakas, että laite ja/ tai käyttäjä lennähtävät mihin tahansa suuntaan ja käyttäjä voi menettää laitteen hallinnan.
 - Terän takapotku tapahtuu ilman varoitusta, jos terä jää kiinni ja pysähtyy.
 - Takapotku tapahtuu usein alueilla, joissa sahattavaa materiaalia on vaikea nähdä.
- **Älä kiinnitä terää laitteeseen, ellei kaikkia tarvittavia osia ole kiinnitetty kunnolla. Asianmukaisten osien käytön laiminlyönti voi aiheuttaa terän sinkoutumisen irti ja aiheuttaa vakavan henkilövahingon käyttäjälle ja/ tai sivullisille. Hävitä taipuneet, vääntyneet, murtuneet, rikkoutuneet tai muulla tavalla vaurioituneet terät. Käytä terävää terää. Tylsä terä jää kiinni helpommin ja aiheuttaa takapotkun (käytettäessä 3-hampaista terää).**
- **Akku tulee hävittää turvallisesti.**
- **Liikkuva terä/siima voi aiheuttaa henkilövahingon, jos se jatkaa pyörimistä moottorin sammuttamisen tai liipaisimen vapauttamisen jälkeen. Pidä työkalu kunnolla hallinnassa, kunnes terä/siima on täysin pysähtynyt**
- **Älä lataa akkua sateessa tai märissä olosuhteissa.**

- Käytä vain EGO:n akkuja ja latureita, jotka on lueteltu alla

| AKKU | LATAUSLAITE |
|---|--------------------|
| BA1120E, BA1400, BA2240E, BA2800, BA3360, BA4200, BAX1300 | CH2100E CH5500E |

- **Akkuyksikkö täytyy irrottaa laitteesta ennen laitteen romuttamista.**
- **Älä hävitä akkua polttamalla.** Kennot saattavat räjähtää. Tarkasta paikallisten määräysten hävittämistä koskevat erikoisohjeet.
- **Älä avaa tai vääntelee akkua.** Vuotanut akkuneste on syövyttävää ja voi vahingoittaa silmiä tai ihoa. Se voi olla myrkyllistä nieltynä.
- **Ole varovainen akkujen käsittelyssä, jotta akku ei mene oikosulkuun sähköä johtavien materiaalien, kuten sormusten, rannekorujen ja avaimien, takia.** Akku tai liitin voi ylikuumentua ja aiheuttaa palovammoja.
- **Varaosat – käytä huollon yhteydessä vain identtisiä EGO-varaosia.** Muiden lisävarusteiden tai lisäosien käyttö saattaa aiheuttaa tapaturmavaaran.
- **Akkutyökaluja ei tarvitse liittää sähköverkkoon. Tästä syystä ne ovat aina käyttökunnossa.** Huomioi mahdolliset vaarat myös silloin, kun työkalu ei ole käynnissä. Ole varovainen tehdessäsi kunnossapito- tai huoltotoimenpiteitä.
- **Poista tai irrota akku ennen kuin huollat, puhdistat tai poistat materiaalia pensasleikkurista.**
- **Älä puhdistat letkulla; vältä veden pääsemistä moottoriin ja sähköliitäntöihin.**
- **Jos kohtaat tilanteen, jota ei tässä käyttöoppaassa käsitellä, toimi varoen ja käytä omaa harkintakykyäsi. Pyydä lisäohjeita EGO-asiakaspalvelusta.**

SÄILYTÄ NÄMÄ OHJEET!

MÄÄRITYKSET

| | | |
|--|-------------------------------|---|
| Leikkuuterä | Trimmerin pää | 3-hampainen metalliterä |
| Jännite | 56 V | 56 V |
| Joutokäyntinopeus | 4500-6000 /min | 4500-6000 /min |
| Leikkuusiiman tyyppi | 2,4 mm kierresiima nailonista | / |
| Leikkuuterä | / | ABB1203 |
| Leikkuuleveys | 38 cm | 30 cm |
| Paino (Ilman akkua) | 4,35 kg | 4,64 kg |
| Mitattu äänen tehotaso L_{WA} | 94,80 dB(A); K=1,01 dB(A) | 94,04 dB(A); K=1,71 dB(A) |
| Äänenpainetaso käyttäjän asennossa L_{PA} | 80,2 dB(A); K=2,5 dB(A) | 80,0 dB(A); K=4,1 dB(A) |
| Taattu äänen tehotaso L_{WA} (mitattu 2000/14/EC:n mukaisesti) | 96 dB(A) | 96 dB(A) |
| Värinäarvo a_h | Vasen kahva | 2,28 m/s ² ; K=1,5 m/s ² |
| | Oikea kahva | 2,38 m/s ² ; K=1,5 m/s ² |

- Ilmoitettu värinän kokonaisarvo on mitattu standardikoemenetelmän mukaan ja sitä voidaan käyttää verrattaessa työkaluja keskenään
- Ilmoitettua värinän kokonaisarvoa voidaan myös käyttää altistumisen ennakoarvioinnissa.

HUOMAA: Sähkötyökalun todellisen käytön aikana ilmenevä värinä voi erota työkalun käytölle ilmoitetusta arvosta. Käyttäjän suojelemiseksi on todellisissa käyttöolosuhteissa käytettävä käsineitä ja kuulosuojaimia.

PAKKAUSLUETTELO

| OSAN NIMI | MÄÄRÄ |
|----------------------------|-------|
| Pensasleikkuri | 1 |
| 3-hampainen terä ja suojus | 1 |
| Suojuskokoonpano | 1 |
| Mutteri | 1 |
| Ulkolaippa | 1 |
| Kuusiokoloavain | 1 |
| Monitoimiavain | 1 |
| Olkahihnat | 1 |
| Käyttöopas | 1 |

KUVAUS

TUNNE PENSASLEIKKURISI (kuva A)

- Nopeuden rajoitusvipu
- Lukituksen vapautusvipu
- Siipimutteri
- Liipaisin
- Tankokahva
- Varsi
- Leikkuusiima
- Suojuskokoonpano
- Trimmeripää
- Tiivistysruuvi
- Varren lukitusreikä
- Suojusliisäosa
- Monitoimiavain
- Kuusiokoloavain
- 3-hampainen terä
- Ulkolaippa
- Mutteri
- Vapautuspainike
- Kumityyny suojus
- Salpa
- Sähköliitäntät
- Poistomekanismi
- Hihnan solki
- Lannepehmuste

FI

VAROITUS: Älä koskaan käytä työkalua ilman, että suoja on kunnolla paikallaan. Suojan on aina oltava työkalussa käyttäjän suojaamiseksi.

VAROITUS: Jos työkalu on varustettu trimmeripäällä, suojuksen lisäosa siimaleikkurilla tulee asentaa suojuksen päälle. Tämän noudattamatta jättäminen voi aiheuttaa liian pitkää leikkuusiiman ja moottorin ylikuormittumisen. Älä käytä trimmeripäätä ilman suojuksen lisäosaa.

KOKOONPANO

VAROITUS: Jos jokin osa on vahingoittunut tai puuttuu, älä käytä pensasleikkuria ennen kuin osat on vaihdettu. Pensasleikkurin käyttö vioittuneilla tai puuttuvilla osilla voi aiheuttaa vakavan henkilövahingon.

VAROITUS: Älä yritä muuttaa pensasleikkuria tai luoda sille lisävarusteita, joita ei suositella käytettäväksi laitteen kanssa. Kaikenlainen muuttaminen tai muuntelu on väärinkäyttöä, ja voi aiheuttaa vaaratilanteen, joka voi johtaa vakaviin henkilövahinkoihin.

VAROITUS: Käytä aina paksuja käsineitä, kun asennat tai poistat suojuksen tai teet kunnossapitotoimenpiteitä 3-hampaiselle terälle / siimaleikkurin terälle. Varo suojuksisäosassa olevaa siimaleikkurin terää / 3-hampaista terää. Suojaa kätesi näiltä teriltä.

VAROITUS: Poista akku työkalusta aina, kun kokoat osia tai kuljetat konetta. Näin varmistat, ettei laite käynnisty vahingossa eikä aiheuta vakavia henkilövahinkoja.

VAROITUS: Älä koskaan käytä työkalua ilman, että suojuks ja tankokahva ovat kunnolla paikallaan. Tämän noudattamatta jättäminen saattaa aiheuttaa vakavan henkilövahingon.

TANKOKAHVAN ASENTAMINEN JA SÄÄTÄMINEN

Pensasleikkuri varastoidaan, kuten kuvassa B. Irrota ensin siipimutteri liitoksesta ja nosta kahvatankoa 180° tangon ympäri (kuva C), käännä sitä 90° vastapäivään ja käännä se kupupäätä kohden (kuva D). Siirrä sitä lopuksi edestakaisin, jotta löydät mukavan työskentelyasennon, kiristä mutteri.

HUOMAUTUS: Koneen käyttö on sallittua vain tankokahvan ollessa kohtisuorassa tankoon.

SUOJUksen ASENTAMINEN

Löystä ja poista kaksi yhdistelmäruuvia varren tyvestä (kuva E). Linjaa suojuksen kiinnitysaukot kokoonpanoaukkojen kanssa ja lukitse suojuks sitten varren tyveen ruuvien ja jousialuslaattojen kanssa (kuva F).

Varmista, että suojuks on paikallaan kuvien E ja F mukaisesti, käänteinen kiinnitys aiheuttaa merkittävän vaaran!

VAIHDA TRIMMERIPÄÄ 3-HAMPAISEEN TERÄÄN

Tunne trimmeripäätä (kuva G) ja noudata kuvissa H-1 – H-4 näytettyjä vaiheita trimmeripään irrottamisessa (katso kohta "siiman vaihtaminen"). Asenna terä alla olevien ohjeiden mukaan:

1. Metallisen terän asentaminen (kuva I).
2. Poista suojuksisäosa irrottamalla kolme ruuvia ja aluslevyä (kuva J).
3. Terän mukana toimitetaan suojuks. Ennen kuin asennat terän pensasleikkuriin, poista suojuks kiertämällä kiinnityslanka irti suojuksen koukusta (kuva K).

Kuvien G-K osien kuvaus alla:

| | | | |
|-----|---------------------------|-----|--------------------|
| G-1 | Sisälaippa | I-3 | Laipan suojuks |
| G-2 | Laipan suojuks | I-4 | 3-hampainen terä |
| G-3 | Kotelon ylempi kokoonpano | I-5 | Ulkolaippa |
| G-4 | Aluslevy | I-6 | Mutteri |
| G-5 | Mutteri | I-7 | Laipan kolo |
| G-6 | Jousi | J-1 | Siiman leikkuuterä |
| G-7 | Leikkuusiima | J-2 | Suojuksisäosa |
| G-8 | Kotelon alempi kokoonpano | K-1 | Kiinnityslanka |
| I-1 | Moottorin kara | K-2 | Koukku |
| I-2 | Sisälaippa | | |

HUOMAUTUS: Käytä käsineitä suojaaksesi itsesi loukkaantumiselta, kun käsittelet 3-hampaista terää.

4. Pyöritä moottorin akselia ja kohdista sisälaippa akselin lukitusreikään vaihekotelossa (kuva L)
5. Työnnä kuusikoloavain kohdistettujen reikien läpi toimimaan vakaimena (kuva M).

Kuvien L ja M osien kuvaus alla:

| | | | |
|-----|-----------------------------------|-----|------------------|
| L-1 | Vaihekotelo | L-3 | Moottorin akseli |
| L-2 | Kohdistetut akselin lukitusreitit | M-1 | Vakain |

6. Asenna terä moottorin karaan. Varmista, että terän pinta on sisälaipan ulokkeen tasossa. Asenna ulkolaippa ja mutteri (kuva N). Esikiristä mutteri VASTAPÄIVÄÄN sormikireyteen.

Kuvien N osien kuvaus alla:

| | |
|-----|------------------|
| N-1 | Mutteri |
| N-2 | Ulkolaippa |
| N-3 | 3-hampainen terä |

7. Aseta vaihdekotelo tuen kiinteää pintaa vasten. Tartu toisella kädellä pensasleikkuriin ja toisella kädellä monitoimiavaimen, kiristä mutteri vastakkaiseen suuntaan kuin ulkolaipassa oleva nuoli (kuva O).

SUOJUSLISÄOSAN KÄYTTÄMINEN

HUOMAUTUS: Jos pensasleikkuri on varustettu trimmeripäällä, suojuslisäosa tulee asentaa suojukseen.

Kiinnitä suojuslisäosa suojukseen kiristämällä kolme ruuvia kuusioavaimella. Suojuslisäosassa on siiman leikkuuterä. Asentamatta jättäminen voi aiheuttaa liian pitkän leikkuusiiman ja moottorin ylikuormittumisen.

KÄYTTÖ

VAROITUS: Älä anna tämän laitteen tuttuuden tehdä sen käsittelystä huolimattomaa. Muista, että muutaman sadasosasekunnin huolimattomuus riittää aiheuttamaan vakavan henkilövahingon.

VAROITUS: Käytä aina suojalaseja ja kuulosuojaimia. Tämän ohjeen laiminlyöminen saattaa aiheuttaa esineiden sinkoutumisen silmiin ja mahdollisen vakavan henkilövahingon.

VAROITUS: Älä käytä lisälaitteita tai lisävarusteita, jos tämän tuotteen valmistaja ei ole suositellut. Muiden kuin suositeltujen lisälaitteiden tai lisävarusteiden käyttö saattaa aiheuttaa vakavan henkilövahingon.

KÄYTTÄMINEN

Voit käyttää pensasleikkuria alla lueteltuihin tarkoituksiin:

- **3-hampaisen metalliterän kanssa:** Heinien, rikkaruohojen, villintyneen kasvuston ja nuoren metsikön, varsi enintään 2 cm, harventamiseen.
- **Trimmeripään kanssa:** Ruohon ja rikkaruohojen poistamiseen terrassien, aitojen ja laattojen ympäriltä.

HUOMAA: Laitetta tulee käyttää vain sille tarkoitettuun tarkoitukseen. Muunlainen käyttö, esimerkiksi pensaiden leikkuu, katsotaan väärinkäytöksi.

AKUN KIINNITTÄMINEN JA IRROTTAMINEN

Lataa täyteen ennen ensimmäistä käyttökertaa.

Kiinnittäminen

Aseta akun ulokkeet kiinnitysaukkoihin ja paina akkua alaspäin, kunnes kuulet naksahduksen (kuva P).

Irrottaminen

Paina akun vapautuspainiketta ja vedä akku ulos (kuva Q).

Kuvien P osien kuvaus alla:

| | |
|-----|--------------|
| P-1 | Asennusaukko |
| P-2 | Uloke |

OLKAKAHIHNOJEN ASENTAMINEN JA KONEEN PITÄMINEN

Aseta olkahihnat olkiesi yli ja työnnä soljen kaksi osaa yhteen, jolloin kuuluu napsahdus (kuva R-1). Kohdistamalla lannepehmusteen koukku varressa olevan putkikiinnikkeen reikään ja paina vartta pehmeästi (kuvat R-2, R-3 ja R-4).

Pidä siimaleikkuria molemmilla käsillä vartalosoi oikealla puolella (kuva S). Trimmeripään tai terän pitää olla suorassa linjassa maan kanssa sopivalla leikkuuetäisyydellä ilman käyttäjän kumartumista.

Pensasleikkurin voi vapauttaa kahdella tavalla: Vapauta hihnan solki (kuva T) tai paina hihnan koukkua ja irrota se varressa olevasta putkikiinnikkeestä (kuva R-2).

VAROITUS: Jos tulee hätätilanne, ota laite olaltasi välittömästi hihnan asennosta riippumatta. Vapauta hihnan solki (kuva T) ja riisu hihnat kummaltakin olalta pikavapautusmenetelmällä.

VAROITUS: Älä käytä yhden olan hihnaa ja kahden olan hihnaa samanaikaisesti.

PENSASLEIKKURIN KÄYNNISTÄMINEN/ PYSÄYTTÄMINEN

Käynnistäminen

Paina lukituksenpoistokytkin alas ja pidä sitä pohjassa. Käynnistä painamalla liipaisinkytkintä (kuva U).

Eriäinen paine liipaisimella aiheuttaa leikkuuterän pyörimisnopeuden muuttumisen. Jos tarpeen, säädä nopeuden rajoitusvipu suurimmalle nopeudelle.

HUOMAUTUS: Nopeuden rajoitusvipu voidaan myös esiasettaa rajoittamaan liipaisimen asentoa.

Pysäyttäminen

Vapauta liipaisin.

HUOMAUTUS: Moottori käy vain silloin, kun sekä lukituksen vapautusvipua että liipaisinta painetaan samanaikaisesti.

VAROITUS: Poista akku siimaleikkurista aina, kun pidät työstä taukoa, ja kun lopetat leikkurin käytön.

KONEEN KÄYTTÄMINEN

VAROITUS: Pukeudu asianmukaisesti pienentääkseen loukkaantumisvaaraa pensasleikkurin käytön aikana. Älä käytä väliä vaatteita tai koruja. Käytä suojalaseja ja kuulosuojaimia. Käytä paksuja, pitkälahkeisia housuja, turvajalkineita ja käsineitä. Älä käytä lyhyttäkeisiä housuja, sandaaleja tai ole paljain jaloin.

Katso ympärillesi ennen käyttöä ja varmista työskentelyalueen turvallisuus. Alueella ei saa olla muita ihmisiä, eläimiä tai irtotavaroita. Varmista, että ne ovat vähintään 15 metrin etäisyydellä. Varmista suojalasi, asianmukainen vaatetus ja tasapainoinen asento.

Tarkasta laite vaurioituneiden/kuluneiden osien varalta ennen jokaista käyttökertaa. Tarkasta trimmeripää, 3-hampainen terä, suojuus, suojuusisäosa, tankokahva ja olkahihnat. Vaihda osat, jotka ovat murtuneet, vääntyneet, taipuneet tai muulla tavoin vaurioituneet. Suojuusisäosan reunassa oleva siimaleikkurin terä voi tylsyä ajan myötä. Suosittelemme, että teroitat sen määräajoin viilalla tai vaihdat sen uuteen terään.

Puhdista pensasleikkuri jokaisen käyttökerran jälkeen

TRIMMERIPÄÄN KÄYTTÄMINEN

Leikkaussiiman piteuden säätäminen

Trimmeripää mahdollistaa leikkaussiiman vapauttamisen ilman moottorin sammuttamista. Kun siima kuluu tai rispaantuu, voit vapauttaa lisää kopauttamalla kupupäätä maata vasten leikkurin käytön aikana (kuva V).

HUOMAUTUS: Siiman vapautus vaikeutuu, jos leikkaussiima tulee liian lyhyeksi.

VAROITUS: Älä poista siimaleikkurin teräkokooppa-noa tai muuta sitä. Ylimääräinen siiman pituus aiheuttaa moottorin ylikuumentumista ja saattaa aiheuttaa vakavan henkilövahingon.

Siiman vaihtaminen

HUOMAUTUS: Käytä aina suositeltua nylonleikkaussiimaa, jonka läpimitta on korkeintaan 2,4 mm. Muunlaisen siiman käyttäminen saattaa aiheuttaa pensasleikkurin ylikuumentumista tai sen vaurioitumisen.

VAROITUS: Älä käytä koskaan metallilla vahvistettua siimaa, rautalankaa, narua yms. Ne saattavat katketa ja muuttua vaaralliseksi ammuksiksi.

1. Poista akku.
2. Poista jäljellä oleva siima, mikäli tarpeen.
3. Pyöritä kelan pidikettä nuolen suuntaan, mikäli tarpeen, ja kohdista kelan pidikkeen LOAD-raja kelan pohjan pujotusreikiin (kuva W-1).
4. Katkaise 5 m leikkaussiimaa. Työnnä siima pujotusreiän sisäpuolella olevaan asennusreikään (kuva W-2). Työnnä ja vedä siimaa toiselta puolelta, kunnes kummallakin puolella kelaa on yhtä paljon siimaa (kuva W-3).
5. Paina ja pyöritä samalla kelan pidikettä nuolen suuntaan saadaksesi siiman kelalle, kunnes kummallakin puolella on näkyvissä noin 14 cm siimaa (kuva W-4).
6. Paina kelan pidike alas ja vedä samalla siimoja käsin siiman liikuttamiseksi eteenpäin. Tarkasta leikkupuupään oikea kokoonpano.

Kun leikkaussiima katkeaa siiman ulostulosta tai leikkaussiimaa ei vapaudu leikkurin päätä napautettaessa, noudata seuraavia ohjeita:

1. Poista akku.
2. Paina kelan pidikkeessä olevia vapautusulokkeita ja poista kelan pidike vetämällä sitä suoraan ulospäin (kuva H-1 ja H-2).
3. Irrota leikkaussiima kelan pidikkeestä.
4. Pidä toisella kädellä kelan pohjaa, tartu toisella kädellä kelan pidikkeeseen ja kohdista kelan pidikkeen ulokkeet kelan pohjan reikiin (kuva X-1). Paina kämmenellä ja kierrä kelan pidikettä vastapäivään ja myötäpäivään, kunnes ulokkeet lukittuvat kelan pohjaan (kuva X-2).
5. Lataa uusi leikkaussiima.

3-HAMPAISEN METALLITERÄN KÄYTTÄMINEN

VAROITUS: Kun leikkaat villiintynyttä kasvustoa, laske pyörivä 3-hampainen terä kasvun tasolle, jotta saat silppuamistoiminnon. Käytä pensasleikkuria kuin viikatetta (heilauta oikealle ja vasemmalle) maan tasolla. Älä käytä leikkuuterää vyötärötasoa korkeammalla.

VAROITUS: Mitä korkeammalla maasta leikkuutyökalu on, sitä suuremman vaaran sivusuuntaan sinkoutuvat leikkuujätteet aiheuttavat.

VAROITUS: Kun leikkaat nuorta kasvua tai halkaisijaltaan enintään 2 cm puumaisia kasveja, käytä terän vasenta sivua, jotta vältät takapotkut. Älä yritä leikata paksumpia puita, koska terä voi jäädä kiinni ja iskeä pensasleikkuria eteenpäin. Tämä saattaa vaurioittaa terää tai pensasleikkuria tai voit menettää pensasleikkurin hallinnan. Tämä voi johtaa henkilövahinkoon.

VAROITUS: Terän virheellinen käyttö voi aiheuttaa terän murtumisen, säröilyn tai rikkoutumisen. Sinkoutuvat osat voivat aiheuttaa vakavan henkilövahingon käyttäjälle tai sivullisille. Henkilövahinkojen välttämiseksi tee seuraavat varoimet:

- Vältä kosketusta koviin tai kiinteisiin kohteisiin, kuten kiviin tai metallikappaleisiin.
- Älä leikkaa yli 2 cm läpimittaisia puumaisia kasveja tai pensaita.
- Tarkasta terä säännöllisin väliajoin vaurioiden varalta. Älä jatka työskentelyä vaurioituneella terällä.
- Teroita terä säännöllisesti (kun se on selvästi tylsä) ja anna se tarvittaessa tasapainotettavaksi (ammattitaitoiselle asentajalle).

Takapotku

Ole erityisen varovainen, kun käytät laitteen 3-hampaista terää. Takapotku saattaa tapahtua, kun pyörivä terä osuu kohteeseen, jota se ei saa katkaistua. Tämä aiheuttaa terän pysähtymisen hetkeksi ja nopean "ponnahduksen" pois kohteesta, johon se osui. Tämä reaktio voi olla niin voimakas, että käyttäjä menettää laitteen hallinnan. Terän takapotku tapahtuu ilman varoitusta, jos terä jää kiinni ja pysähtyy. Takapotku tapahtuu usein alueilla, joissa sahattavaa materiaalia on vaikea nähdä. Työskentely on helpompaa ja turvallisempaa, jos lähestyt leikattavia kohteita pensasleikkurilla oikealta vasemmalle. Jos työkalu osuu odottamattomaan kohteeseen tai kantoon, tämä käytäntö minimoi terän takapotkun vaikutuksen.

HUOLTO

VAROITUS: Pysäytä moottori, odota kaikkien liikkuvien osien pysähtymistä ja poista akku ennen laitteen tarkastamista, puhdistamista tai huoltamista. Näiden ohjeiden noudattamatta jättäminen saattaa aiheuttaa vakavan henkilövahingon tai omaisuusvahingon.

VAROITUS: Käytä huollossa vain identtisiä vaihto-osia. Muiden osien käyttö saattaa aiheuttaa vaaran tai tuotteen vaurioitumisen. Anna asiantuntevan huoltoteknikon tehdä kaikki korjaukset, jotta laite on varmasti turvallinen ja luotettava.

LAITTEEN PUHDISTUS

Vältä liuotainaineiden käyttöä, kun puhdistat muoviosia. Useimmat muovit ovat herkkiä vaurioitumaan erilaisista kaupallisista liuottimista ja voivat vioittua niiden käytöstä. Käytä lian, pölyn, öljyn ja rasvan puhdistamiseen puhdasta liinaa.

KONEEN PUHDISTAMINEN

- Puhdista lika, tukokset ja ruoho 3-hampaisesta terästä / trimmeripäästä pehmeällä harjalla joka käyttökerran jälkeen.

HUOMAUTUS: Kun siimaleikkurin terä tulee tylsäksi, vie se ammattitaitoiselle asentajalle teroitettavaksi tai vaihda terä tarvittaessa uuteen siimaleikkurin terään.

- Puhdista leikkuuterä kostealla liinalla ja miedolla puhdistusaineella jokaisen pensasleikkurin käyttökerran jälkeen.
- Älä käytä voimakkaita puhdistusaineita muoviseen koteloon tai kahvaan. Ne saattavat vahingoittaa tietyistä aromaattisista öljyistä, kuten mänty ja sitruuna, ja liuottimista, kuten kerosiini. Kosteus voi aiheuttaa myös sähköiskun vaaran. Pyyhi kosteus pois pehmeällä ja kuivalla liinalla.
- Puhdista takakotelon tuuletusaukot pienellä terällä tai pienellä pölynimurilla.

KONEEN VARASTOINTI

- Irrota akku työkalusta.
- Käytä paksuja käsineitä puhdistaussasi työkalun huolellisesti.
- Asenna teränsuojaus 3-hampaiseen terään turvallisuuden varastoinnin takia (kuva Y).
- Säilytä laite kuivassa, hyvin ilmastoidussa tilassa lukitussa paikassa tai korkealla poissa lasten ulottuvilta. Älä säilytä konetta lannoitteiden, bensiinin tai muiden kemikaalien päällä tai vieressä.

FI

Ympäristönsuojelu



Älä hävitä sähkölaitteita, akkua tai akkuja/ladattavia paristoja kotitalousjätteen seassa!

EU:n direktiivin 2012/19/EU mukaan sähkölaite- ja elektroniikkalaiteromu, jota ei enää voida käyttää, ja EU:n direktiivin 2006/66/EY mukaan vialliset tai käytetyt akut/paristot on kerättävä erikseen.

Jos sähkölaitteet hävitetään viemällä kaatopaikoille tai roskaläjiin, vaarallisia aineita voi vuotaa pohjaveteen ja päästä ravintoketjuun ja vahingoittaa täten ihmisten terveyttä ja hyvinvointia.

FI

EY-VAATIMUSTENMUKAISUUS-VAKUUTUS



Me, EGO EUROPE GMBH

Wahlwiesenstrasse 1, D-71711 Steinheim an der Murr Deutschland

ilmoittaa, että tuote **56 VOLTIN LITUMIONIAKULLA VARUSTETTU TANKOKAHVAINEN PENSASLEIKKURI BC3800E** täyttää olennaiset terveys- ja turvallisuusvaatimukset seuraavien direktiivien mukaisesti:

2006/42/EY, 2014/30/EU, 2011/65/EU, 2000/14/EY

Käytetyt standardit ja tekniset erittelyt:

EN ISO 11806-1, EN 60745-1, EN 55014-1, EN 55014-2, IEC 62321.

| | Trimmerin pää | 3-hampainen metalliterä |
|-------------------------|---------------|-------------------------|
| Mitattu äänen tehotaso: | 94,80 dB(A) | 94,04 dB(A) |
| Taattu äänen tehotaso: | 96 dB(A) | 96 dB(A) |

Liitteen VI vaatimustenmukaisuuden arviointi on tehty direktiivin 2000/14/EY mukaisesti.

Ilmoitettu laitos: DEKRA Certification B.V. Meander 1051 / P.O. box 5185 6525 MJ ARNHEM / 6802 ED ARNHEM, Netherlands

Ilmoitetun laitoksen numero: 0344

Peter Melrose
EGO Europe GmbH
Yönefici Müdürü

Dong Jianxun
Chervon Kalite
Müdürü

* (CHERVON yetkili temsilcisi ve teknik belgeleme sorumlusu)

01/09/2017

VIANETSINTÄ

| ONGELMA | SYY | RATKAISU |
|----------------------|---|---|
| Ei käynnisty. | <ul style="list-style-type: none"> ■ Akkua ei ole liitetty pensasleikkuriin. ■ Pensasleikkurin ja akun välillä ei ole sähköliitäntää. ■ Akkuyksikkö on tyhjä. ■ Lukituksen vapautusvipua ja liipaisinta ei paineta samanaikaisesti. | <ul style="list-style-type: none"> ■ Kiinnitä akku akkupäähän. ■ Poista akku, tarkasta liitäntäkohdat ja asenna akku takaisin, kunnes se napsahtaa paikalleen. ■ Lataa akku käyttöoppaan luettelossa olevalla EGO-laturilla. ■ Paina lukituksen vapautusvipu alas ja pidä sitä pohjassa, paina sitten liipaisinta, jonka jälkeen pensasleikkuri käynnistyy. |
| Pysäytä työskentely. | <ul style="list-style-type: none"> ■ Moottori on ylikuormittunut. ■ Leikkuusiima on liian paksu. ■ Akku tai pensasleikkuri on ylikuumentunut. ■ Akku on irronnut työkalusta. ■ Akku on tyhjä. | <ul style="list-style-type: none"> ■ Moottori palautuu, kun kuormitus poistetaan. Vähennä akkupään kuormitusta jatkuvassa käytössä. ■ Käytä tavallista nailonleikkuusiimaa, jonka läpimitta on enintään 2,4 mm. ■ Anna akun tai akkupään jäähtyä, kunnes lämpötila laskee alle 67°C:en. ■ Asenna akku takaisin paikalleen. ■ Lataa akku käyttöoppaan luettelossa olevalla EGO-laturilla. |

FI

| ONGELMA | SYY | RATKAISU |
|--|--|--|
| <p>Trimmeripää ei siirrä siimaa (vain trimmeripäätä käytettäessä).</p> | <ul style="list-style-type: none"> ■ Moottorin akseli tai trimmeripää on täynnä ruohoa. ■ Kelassa ei ole riittävästi siimaa. ■ Trimmeripää on likainen. ■ Siima solmussa kelassa. ■ Siima on liian lyhyt. | <ul style="list-style-type: none"> ■ Pysäytä kone, poista akku ja poista ruoho moottorin akselistä ja trimmeripäästä. ■ Poista akku ja vaihda leikkaussiima; noudata tämän käyttöoppaan ”SIIMAN VAIHTAMINEN” -osion ohjeita. ■ Poista akku ja puhdista kela, kelan pidike ja kelan pohja. ■ Poista akku, poista siima kelasta, noudata tämän käyttöoppaan ”SIIMAN VAIHTAMINEN” -osion ohjeita. ■ Poista akku ja vedä siimoja samalla kun vuorotellen painat kupunuppeja ja vapautat ne. |

FI

TAKUU

EGO-TAKUUKÄYTÄNTÖ

Katso verkkosivuilta osoitteesta egopowerplus.com EGO-takuukäytännön ehdot ja edellytykset kokonaisuudessaan.

LES ALLE INSTRUKSJONER!



LES BRUKERMANUALEN

⚠ Restrisiko! Personer med elektroniske enheter, for eksempel pacemakere, må rådføre seg med lege før de bruker dette produktet. Drift av elektrisk utstyr i umiddelbar nærhet av en pacemaker kan føre til at pacemakeren forstyrres eller svikter.

⚠ ADVARSEL: For sikre både sikkerheten og påliteligheten, skal alle reparasjoner utføres av en kvalifisert servicetekniker.

SIKKERHETSSYMBOLER

Formålet med sikkerhetssymbolene er å trekke oppmerksomheten din mot mulige faresituasjoner. Sikkerhetssymbolene og forklaringene krever din fulle oppmerksomhet og forståelse. Symbolvarslene eliminerer ikke farer på egen hånd. Instruksjonene og advarslene som finnes i dem er ikke erstatninger for passende ulykkesforebyggende tiltak.

⚠ ADVARSEL: Sørg for å lese og forstå alle sikkerhetsanvisningene i denne brukerhåndboken, inkludert alle sikkerhetsvarselssymboler så som «FARE», «ADVARSEL» og «FORSIKTIG» før du bruker dette verktøyet. Manglende etterlevelse av alle instruksjonene under kan resultere i elektrisk støt, brann og/eller alvorlig personskade.

SYMBOLFORKLARINGER

⚠ SIKKERHETSSYMBOL: Indikerer en FARE, ADVARSEL eller FORSIKTIGHETSREGEL og kan bli brukt i kombinasjon med andre symboler eller piktogrammer.



⚠ ADVARSEL: Bruk av hvilke som helst elektroverktøy kan føre til at fremmedlegemer blir kastet mot øynene, og dette kan føre til alvorlige øyeskader. Før du begynner å bruke elektroverktøyet, må du alltid ta på deg øyevern eller vernebriller med sidebeskyttelse, eller full ansiktsskjerm dersom dette er nødvendig. Vi anbefaler en Wide Vision Safety Mask til bruk over briller, eller standard vernebriller med sidebeskyttelse.

SIKKERHETSINSTRUKSJONER

Denne siden viser og beskriver sikkerhetssymboler som finnes på produktet. Les, forstå og følg alle instruksjoner på maskinen før du forsøker å montere og bruke den.

| | | |
|--|--|--|
| | Sikkerhetsvarsel | Angir en fare for mulig personskade. |
| | Les brukermanualen. | For å redusere risikoen for skader må brukeren lese og forstå brukerhåndboken før produktet brukes. |
| | Bruk vernebriller | Bruk alltid øyevern eller vernebriller med sidebeskyttelse og full ansiktsskjerm når du bruker dette produktet. |
| | Bruk hørselvern | Bruk alltid hørselsvern (ørepropper eller øreklokker) for å beskytte hørselen. |
| | Bruk hodebeskyttelse | Bruk en godkjent vernehjelm for å beskytte hodet. |
| | Bruk vernehansker. | Beskytt hendene med hansker når du håndterer bladet og bladskjermen. Kraftige, sklisikre hansker gir bedre grep og beskytter hendene dine. |
| | Bruk vernesko. | Ha på deg sklisikre vernesko når du bruker dette utstyret. |
| | Vær oppmerksom på risikoen for tilbakeslag | Advar operatøren om faren for tilbakeslag. |
| | Rikosjetter og avstand til personer i nærheten | Gjenstander som slynges bort, kan rikosjettere og forårsake skade på personer eller eiendom. Sørg for at andre mennesker og kjøledyr er minst 15 m unna busktrimmeren når den er i bruk. |

NO

| | | |
|---|----------------------------------|--|
|  | Hold tilskuere på trygg avstand. | Sørg for at andre mennesker og kjæledyr er minst 15 m unna kantrimmeren når den er i bruk. |
|  | Ingen runde blader | Ikke monter runde skjæreblader. |
|  | Må ikke utsettes for regn | Produktet må ikke brukes i regnvær eller etterlates utendørs når det regner. |
|  | CE | Dette produktet er i samsvar med gjeldende EF-direktiver. |
|  | WEEE | Elektrisk avfall må ikke kastes sammen med husholdningsavfall. Innlever det ved en godkjent gjenvinningsstasjon. |
|  | Støy | Garantert lydeffektnivå. Støyutslippene til omgivelsene overholder kravene i EF-direktivet. |
| V | Volt | Spenning |
|  | Likestrøm | Type eller karakteristikk for spenningen |
| n ₀ | Hastighet uten last | Rotasjonshastighet, uten last |
| .../min | Pr. minutt | Omdreininger pr. minutt |

NO

VIKTIGE SIKKERHETSINSTRUKSJONER

⚠ ADVARSEL! Når du bruker dette produktet, må du alltid følge grunnleggende sikkerhetsregler for å redusere risikoen for brann, elektrisk støt og personskade, inkludert følgende:

LES BRUKERMANUALEN NØYE FØR BRUK

TA VARE PÅ BRUKERMANUALEN FOR SENERE BRUK

⚠ FARE! Ikke sett all din lit til verktøyets isolasjon mot elektrisk støt. For å redusere risikoen for elektriske støt må maskinen aldri brukes i nærheten av ledninger eller kabler (strøm osv.) som kan være strømsatte.

⚠ NB: Bruk egnet personlig hørselsvern under bruk. Under visse forhold til og brukslengder, kan støy fra dette produktet bidra til hørselstap.

OPPLÆRING

- Les instruksjonene nøye. Vær fortlroilig med betjeningsinstrumentene og riktig bruk av maskinen.
- La aldri folk som ikke er kjent med disse instruksjonene, eller barn, bruke maskinen. Lokale regelverk kan ha krav til aldersgrense for operatøren.
- Husk at operatøren eller brukeren er ansvarlig for ulykker eller farer som berører andre mennesker eller andres eiendeler.

FORBEREDELSE

- Bruk aldri maskinen mens folk, og spesielt barn eller kjæledyr, er i nærheten.
- Bruk vernebriller og robuste sko hele tiden mens du bruker dette produktet.
- Avstanden mellom maskinen og tilskuere skal være minst 15 meter.

BRUK

- Bruk busktrimmeren bare i dagslys eller i god kunstig belysning.
- Bruk aldri busktrimmeren med skadede skjermer eller verneinnretninger eller uten at skjermer eller verneinnretninger er på plass.
- Motoren skal bare slås på når hender og føtter er borte fra skjæredelene.
- Koble alltid busktrimmeren fra strømforsyningen (dvs. fjern batteripakken)
 - når busktrimmeren forlates uten tilsyn
 - før du fjerner en blokkering
 - før du sjekker, rengjør eller arbeider på busktrimmeren
 - etter å ha støtt borti et fremmedlegeme
 - når maskinen begynner å vibrere unormalt.
- Pass på at hender og føtter ikke skades av kuttedelene.
- Pass alltid på at ventilasjonsåpningene holdes frie for rusk.

VEDLIKEHOLD OG LAGRING

- Koble alltid busktrimmeren fra strømforsyningen (dvs. fjern batteripakken) før du utfører vedlikehold eller rengjøring.
- Bruk bare produsentens anbefalte reservedeler og tilbehør.
- Inspiser og vedlikehold busktrimmeren regelmessig. Reparasjoner må utføres ved et autorisert verksted.
- Når den ikke er i bruk, må busktrimmeren oppbevares utilgjengelig for barn.

ANDRE SIKKERHETSADVARSLER

- **Hold barn borte** – alle tilskuere bør holdes minst 30 meter unna arbeidsområdet.
- **Unngå farlige omgivelser** – ikke bruk apparatet i fuktige eller våte skråninger.
- **Slå alltid av busktrimmeren eller ta ut batteripakken når du forlater trimmeren uten tilsyn.**
- **Ikke bruk trimmeren i regnvær.**
- **Bruk egnede klær** – ikke bruk løstsittende plagg, smykker, shorts, sandaler eller gå barbeint. Klær og smykker kan sette seg fast i bevegelige deler. Bruk tunge, lange bukser og en langermet skjorte. Bruk av gummihansker og solid fottey anbefales når du arbeider utendørs. Langt hår bør tildekkes eller bindes opp slik at det ikke faller under skuldernivået.
- **Bruk vernebriller** – bruk alltid ansikts- eller støvmaske hvis arbeidet er støvete.
- **Bruk riktig verktøy** – ikke bruk verktøyet til noen jobb det ikke er laget for.
- **Ikke overbelast busktrimmeren** – den vil gjøre jobben bedre, med mindre risiko for skade, hvis du lar den arbeide på den tiltenkte måten.
- **Ikke strekk deg for langt** – pass på å ha skikkelig fotfeste og balanse til enhver tid.
- **Vær på vakt** – følg med på det du gjør. Bruk sunn fornuft. Ikke bruk busktrimmeren når du er trett.
- **Ikke bruk busktrimmeren hvis du er påvirket av alkohol eller legemidler.**
- **Hold skjermene på plass og i fungerende stand.**
- **Hold hendene og føttene på avstand fra beskæringsområdet.**
- **Oppbevar busktrimmeren innendørs** – når den ikke er i bruk, må trimmeren lagres innendørs på et tørt og høyt eller låst sted, med batteriet fjernet og utilgjengelig for barn.

- **Vedlikehold busktrimmeren med omhu** – hold skjæreutstyret rent for å oppnå best ytelse og redusere risikoen for skader. Følg instruksjonene for bytte av tilbehør. Hold håndtakene tørre, rene og fri for olje og smøremiddel.
- **Se etter skadede deler** – både før og etter bruk må skjermer eller andre skadede deler undersøkes nøye for å fastslå om de vil fungere riktig og oppfylle den tiltenkte funksjonen sin. Kontroller at bevegelige deler er riktig justert og ikke er blokkert, at ingen deler er skadet, at utstyret er korrekt montert, og at det ikke finnes andre problemer som kan påvirke bruken av verktøyet. En verneinnretning eller annen del som er skadet, må repareres på forsvarlig måte eller skiftes ut ved et autorisert servicesenter, med mindre noe annet er angitt i denne håndboken.
- **Forsikre deg om at alle festeinnretninger er på plass og korrekt festet. Forsikre deg om at skjermen rundt skjæretilbehøret er korrekt festet og befinner seg i den posisjonen som er anbefalt av produsenten.**
- **Rydd området som skal beskjæres, før hver bruk.** Fjern alle gjenstander som steiner, glasskår, spikre, ståltråd eller snorer som kan slynges bort eller vikle seg inn i skjæretilbehøret. Se til at området er fritt for barn, tilskuere og dyr. Barn, tilskuere og kjæledyr må holdes på minst 15 meters avstand fra arbeidsområdet. Personskader kan oppstå som følge av at gjenstander blir slynges ut, selv utenfor radiusen på 15 m. Tilskuere bør oppmuntres til å bruke vernebriller.
- **Før du bruker busktrimmeren, og etter ethvert sammenstøt, må du se etter tegn på slitasje eller skade og få trimmeren reparert om nødvendig.**
- **Hold alltid busktrimmeren godt fast, med begge hender på håndtakene, mens du bruker den. Grip rundt håndtakene med alle fingre.**
- **Unngå utilsiktet start** – ikke bær busktrimmeren med fingeren på bryteren.
- **Ikke bruk busktrimmeren i gassholdige eller eksplosive atmosfærer.** Motorene i disse apparatene vil normalt gnistre, og gnistene kan antenne damper.
- **Skade på busktrimmeren** – hvis du treffer på et fremmedlegeme med trimmeren, eller hvis den vikler seg inn i noe, må verktøyet stoppes umiddelbart, batteripakken tas ut og busktrimmeren sjekkes for skader. Eventuelle skader må repareres før du forsøker å bruke trimmeren igjen. Trimmeren må ikke brukes med skadet skjerm eller skjæretilbehør.

NO

- Hvis utstyret begynner å vibrere unormalt, må du stoppe motoren, ta ut batteripakken og undersøke trimmeren umiddelbart for å finne årsaken.

Vibrasjoner er vanligvis et tegn på at noe er galt. Et løst skjæretilbehør kan vibrere, sprekke, brette eller løse fra busktrimmeren, noe som kan resultere i alvorlige eller livstruende skader. Forsikre deg om at skjæretilbehøret er korrekt montert og godt festet. Hvis skjæretilbehøret løsner etter at det er festet, må det byttes ut umiddelbart. Bruk aldri en busktrimmer med løst skjæretilbehør.

- Bytt sprukket, skadet eller utslitt skjæretilbehør umiddelbart, selv om skaden er begrenset til overfladiske sprekker. Slikt tilbehør kan gå i stykker ved høye hastigheter og forårsake alvorlige eller livstruende skader.
- For å redusere risikoen for skader må du aldri bruke trimmeren mens du står på en stige eller et annet ustabil underlag. Hold aldri skjæretilbehøret over hoftehøyde.

NO

- Bruk aldri andre typer tråd i stedet for skjæretrådene i nylon, da andre trådtyper kan revne ved høye hastigheter slik at deler blir slynget mot operatøren eller personer i nærheten.

- Stå støtt og hold deg i balanse. Ikke strekk deg for langt ut. Hold skjæretilbehøret under hoftehøyde. Hold alle kroppsdeler på avstand fra det roterende skjæretilbehøret.

- Kontroller skjæretilbehøret med jevne, korte intervaller under bruk, eller umiddelbart hvis det oppstår en merkbar endring i skjæreatferden.

- Bruk kun EGO- autorisert polymer-trimmertråd og bladtilbehør som er utviklet for bruk med denne busktrimmeren. Bruk av uautorisert tilbehør kan være ekstremt farlig og/eller føre til at verktøyet blir skadet.

- Hvis andre personer kommer bort til eller henvender seg til deg, må du stoppe motoren og skjærestyret umiddelbart.

- Advar operatøren om faren forbundet med tilbakeslag (gjelder bare ved bruk av 3-tannet blad).

- Tilbakeslag kan inntreffe når det roterende bladet kommer i kontakt med en gjenstand som det ikke umiddelbart klarer å skjære seg gjennom.
- Tilbakeslaget kan være voldsomt nok til å få enheten og/eller operatøren til å bevege seg i en hvilken som helst retning, og operatøren står dermed i fare for å miste kontrollen over enheten.
- Tilbakeslag kan inntreffe uten forvarsel dersom bladet hekter seg fast, stopper eller henger seg opp.

- Tilbakeslag har større sannsynlighet for å forekomme i områder der det er vanskelig å se materialet som skjæres.

- Ikke fest et blad til trimmeren uten at alle påkrevde deler er korrekt montert. Manglende bruk av de påkrevde delene medfører risiko for at bladet blir slynget ut i luften og påfører operatøren og/eller personer i nærheten alvorlige skader. Blader som er bøyd, vridd, sprukket, ødelagt eller skadet på noen måte, må kasseres. Bruk et skarpt blad. Et sløvt blad har større sannsynlighet for å henge seg opp og utløse tilbakeslag (gjelder bare ved bruk av 3-tannet blad).

- Batteripakken må deponeres på en forsvarlig måte.
- Bladet / tråden vil fortsetter å rotere og kan dermed forårsake skader en stund etter at motoren har stanset eller bryteren er sluppet ut. Sørg for å holde god kontroll helt til bladet/tråden har sluttet helt å rotere.
- Ikke lad batteripakken i regn eller på våte steder.
- Må bare brukes med batteripakkene og laderne fra EGO som er oppført nedenfor:

| BATTERI | LADER |
|---|--------------------|
| BA1120E, BA1400, BA2240E, BA2800, BA3360, BA4200, BAX1300 | CH2100E CH5500E |

- Batteripakken må fjernes fra apparatet før det kasseres.
- Ikke utsett batteriet for åpne flammer. Cellene kan eksplodere. Sjekk lokale forskrifter for instruksjoner angående deponering av batterier.
- Ikke åpne eller skad batteriet. Elektrolytten i batteriet er etsende og kan forårsake skade på øyne og hud. Den kan være giftig ved svelging.
- Vær forsiktig når du håndterer batterier, slik at du ikke kortsletter batteriet med ledende materialer så som ringer, armbånd og nøkler. Batteriet eller lederen kan bli overopphetet og forårsake brannskader.
- Reservedeler – ved service må du bare bruke identiske reservedeler fra EGO. Bruk av annet utstyr eller tilbehør kan øke risikoen for skader.
- Batteridrevne verktøy trenger ikke å være tilkoblet strømuttak for å fungere, og er derfor alltid klare for bruk. Vær oppmerksom på mulige farer, selv når verktøyet ikke er i drift. Vær forsiktig når du utfører vedlikehold eller service.
- Fjern eller koble fra batteriet før du utfører vedlikehold eller rengjøring eller fjerner materiale fra busktrimmeren.

- Ikke vask med hageslange; unngå å få vann i motoren og i elektriske kontakter.
- Hvis situasjoner oppstår som ikke er dekket i denne håndboken, må du utvise forsiktighet og god dømmekraft. Kontakt EGOs servicesenter for å få hjelp.

TA VARE PÅ DISSE INSTRUKSJONENE!

SPESIFIKASJONER

| | | |
|--|------------------------------|---|
| Skjæretilbehør | Trimmerhode | 3-tannet metallblad |
| Spennning | 56 V | 56 V |
| Hastighet uten belastning | 4500-6000 /min | 4500-6000 /min |
| Trådtype | 2,4 mm nylon-tråd | / |
| Trimmerblad | / | ABB1203 |
| Klippebredde | 38 cm | 30 cm |
| Vekt (Uten batteripakke) | 4,35 kg | 4,64 kg |
| Målt lydeffektnivå L_{WA} | 94,80 dB(A); K=1,01 dB(A) | 94,04 dB(A); K=1,71 dB(A) |
| Lydtrykksnivå ved førerplassen L_{PA} | 80,2 dB(A); K=2,5 dB(A) | 80,0 dB(A); K=4,1 dB(A) |
| Garantert lydeffektnivå L_{WA} (målt i henhold til 2000/14/EC) | 96 dB(A) | 96 dB(A) |
| Vibrasjon- snivå a_h | Venstre håndtak | 2,28 m/s ² ; K=1,5 m/s ² |
| | Høyre håndtak | 2,38 m/s ² ; K=1,5 m/s ² |

- Den deklarerte totale vibrasjonsverdien er målt i overensstemmelse med en standard testmetode, og kan brukes til å sammenligne ett verktøy med et annet;
- Den deklarerte totale vibrasjonsverdien kan også brukes i en foreløpig vurdering av eksponering.

MERK: Vibrasjoner under faktisk bruk av elektroverktøyet kan variere fra den opplyste verdien der verktøyet brukes; For å beskytte brukeren, skal det brukes hansker og hørselsvern under de faktiske bruksforholdene.

PAKKELISTE

| NAVN PÅ DEL | MENGDE |
|----------------------------|--------|
| Busktrimmer | 1 |
| 3-tannet blad med futteral | 1 |
| Skjerm | 1 |
| Mutter | 1 |
| Ytre flens | 1 |
| Unbrakonøkkel | 1 |
| Multifunksjonsnøkkel | 1 |
| Skulderstropp | 1 |
| Brukerhåndbok | 1 |

BESKRIVELSE

KJENN BUSKTRIMMEREN DIN (Fig. A)

1. Hastighetsbegrensningsarm
2. Låsearm
3. Vingemutter
4. Utløser
5. Sykkelhåndtak
6. Skaft
7. Trimmertråd
8. Verneskjerm
9. Trimmerhode
10. Forseglingsskrue
11. Skaftlåsehull
12. Vakttilbehør
13. Multifunksjonsnøkkel
14. Unbrakonøkkel
15. 3-tannet blad
16. Ytre flens
17. Mutter
18. Utløserknapp
19. Gummiputebeskyttelse
20. Låsemekanisme
21. Elektriske kontakter
22. Utkastingsmekanisme
23. Stroppspenne
24. Hoftepute

NO

⚠ ADVARSEL: Bruk aldri verktøyet uten skjermen på plass. Skjermen må alltid være på plass på verktøyet for å beskytte brukeren.

⚠ ADVARSEL: Når verktøyet er utstyrt med et trimmerhode, må skjermtilbehøret med trådkuttende blad monteres på skjermen. Dersom dette ikke gjøres, vil trimmertråden bli for lang og overbelaste motoren. Bruk aldri trimmerhodet uten skjermtilbehøret.

-ENNET

⚠ ADVARSEL: Hvis noen av delene er skadet eller mangler, må du ikke bruke busktrimmeren før delene er skiftet ut. Bruk av busktrimmeren med skadede eller manglende deler kan føre til alvorlig personskade.

⚠ ADVARSEL: Ikke forsøk å modifisere busktrimmeren eller lage tilbehør som ikke er anbefalt for bruk med dette produktet. Enhver slik endring eller modifikasjon anses som misbruk og kan føre til farlige situasjoner og potensielt alvorlige personskader.

⚠ ADVARSEL: Bruk alltid vernehansker når du monterer eller fjerner skjermen og utfører vedlikehold på det 3-tannede/trådkuttende bladet. Hånder det trådkuttende bladet på skjermtilbehøret / det 3-tannede bladet med varsomhet slik at du ikke skader hendene.

⚠ ADVARSEL: For å hindre utilsiktet start som kan føre til alvorlig personskade, må du alltid ta batteripakken ut av verktøyet når du skal montere deler eller transportere maskinen.

⚠ ADVARSEL: Bruk aldri verktøyet uten at skjermen og sykkelhåndtakene er korrekt påmontert. Manglende etterlevelse av denne forholdsregelen kan resultere i alvorlige personskader.

MONTERING OG JUSTERING AV SYKKELHÅNDTAKET

Busktrimmeren oppbevares som vist i Fig. B. Løsne først vingemutteren på overgangsmuffen, og løft deretter sykkelhåndtaket 180° rundt skaftet (Fig. C). Drei det 90° mot klokkeretningen slik at det vender mot hodet (Fig. D). Beveg det så frem og tilbake til du har funnet en komfortabel arbeidsstilling, og stram til mutteren.

MERK: Maskinen må bare brukes med sykkelhåndtaket stående vinkelrett i forhold til skaftet.

MONTERING AV SKJERMEN

Løsne og fjern de to skruene fra nedre del av skaftet (fig. E). Juster skjermmonteringshullene sammen med monteringshullene, og lås skjermen på skaftbasen med de to skruene, og to fjærskiver (fig. F).

Sørg for at skjermen er festet slik fig. E og F viser. Omvendt festing kan forårsake stor skade!

BYTT UT TRIMMERHODET MED DET 3-TANNEDE BLADET

Gjør deg kjent med trimmerhodet (Fig. G), og følg trinnene som er vist i Fig. H-1 - Fig. H-4 (se delen om "utskifting av tråd") for å fjerne trimmerhodet. Følg trinnene under for å montere bladet:

1. Monter metallbladenheten (Fig. I).
2. Fjern skjermtilbehøret ved å løsne de tre skruene med skiver (Fig. J).
3. Bladet leveres med et futteral. Før du fester bladet til busktrimmeren, må du fjerne det fra futteralet ved å løsne kroken på klemtråden fra løkken på futteralet (Fig. K).

Fig. G-K delebeskrivelse, se nedenfor:

| | | | |
|-----|-------------------|-----|-----------------|
| G-1 | Indre flens | I-3 | Flensdeksel |
| G-2 | Flensdeksel | I-4 | 3-tannet blad |
| G-3 | Øverste hus ASSY | I-5 | Ytre flens |
| G-4 | Skive | I-6 | Mutter |
| G-5 | Mutter | I-7 | Spor i flensen |
| G-6 | Fjæring | J-1 | Strekklisjeblad |
| G-7 | Skjæretråd | J-2 | Vakttilbehør |
| G-8 | Nederste hus ASSY | K-1 | Klemtråd |
| I-1 | Motoraksel | K-2 | Krok |
| I-2 | Indre flens | | |

MERK: For å beskytte deg mot skader må du bruke hansker når du skal håndtere det 3-tannede bladet.

4. Drei motorakselen slik at sporet i den indre flensen havner på linje med aksellåsehullet i girkassen (Fig. L)
5. Sett unbrakonøkkelen inn i hullene for å fungere som en stabilisator (Fig. M).

Fig. L og M delebeskrivelse, se nedenfor:

| | | | |
|-----|---------------|-----|--------------|
| L-1 | Girkasse | L-3 | Motoraksel |
| L-2 | Aksellåsehull | M-1 | Stabilisator |

6. Monter bladet på motorakselen, og påse at bladets overflate er i flukt med overflaten på bulen på den indre flensen. Monter den ytre flensen og mutteren (Fig. N). Stram mutteren til MOT KLOKKERETNINGEN for hånd.

Fig. N delebeskrivelse, se nedenfor:

| | |
|-----|---------------|
| N-1 | Mutter |
| N-2 | Ytre flens |
| N-3 | 3-tannet blad |

7. Posisjoner girkassen mot et fast underlag som gir god støtte. Hold busktrimmerens skaft fast med den ene hånden, og grip multifunksjonsnøkkelen med den andre for å stramme til mutteren i tråd med retningspil-ikonet på den ytre flensen (Fig. O).

BRUK AV SKJERMILBEHØRET

MERK: Når busktrimmeren er utstyrt med et trimmerhode, må skjermtilbehøret monteres på skjermen. Fest skjermtilbehøret, som er utstyrt med et trådkuttende blad, til skjermen ved å stramme til de tre skruene med unbrakonøkkelen. Dersom dette ikke gjøres, kan trimmertråden bli for lang og motoren bli overbelastet.

DRIFT

⚠ ADVARSEL: Selv om du er vant med å bruke produktet, må du aldri være uaktsom. Husk at et ørlite øyeblikks uoppmerksomhet er alt som skal til for at alvorlige personskader kan oppstå.

⚠ ADVARSEL: Bruk alltid vernebriller og hørselsvern. Unnlattelse av å gjøre dette kan resultere i at gjenstander kastes inn i øynene dine, samt andre potensielle, alvorlige skader.

⚠ ADVARSEL: Ikke bruk noen form for tilleggsutstyr eller tilbehør som ikke er anbefalt av produsenten av dette produktet. Buk av tilleggsutstyr eller tilbehør som ikke er anbefalt, kan medføre alvorlig personskade.

BRUKSOMRÅDER

Du kan bruke busktrimmeren til formålene som er listet opp under:

- **Med 3-tannet metallblad:** Klipping av gress, ugress, busker og kratt, beskjæring av unge trær med en maksimal stammediameter på 2 cm.
- **Med trimmerhode:** Trimming av gress og ugress rundt verandaer, gjerder og terrasser.

MERK: Verktøyet skal bare brukes til sitt foreskrevne formål. All annen bruk anses for å være feil bruk.

FESTING/FJERNING AV BATTERIPAKKEN

Lad batteriet helt opp før første gangs bruk.

Festing

Posisjoner batteriribben på linje med monteringssporene, og trykk batteripakken ned til du hører et klikk (Fig. P).

Fjerning

Trykk ned batteriutløserknappen, og trekk batteripakken ut (Fig. Q).

Fig. P delebeskrivelse, se nedenfor:

| | |
|-----|----------------|
| P-1 | Monteringsspor |
| P-2 | Ribbe |

FESTING AV SKULDERSTROPPENE OG HOLDING AV MASKINEN

Ta på deg skuldestroppene, og før de to delene av stroppspennen inn i hverandre til du hører et klikk (Fig. R-1). Hekt kroken på hofteputen fast i hullet i rørklipsen som er festet på skaftet, og trykk skaftet forsiktig ned (Fig. R-2, R-3 og R-4).

Hold med begge hender, slik at busktrimmeren befinner seg på høyre side av kroppen (Fig. S). Trimmerhodet eller bladet skal være parallelt med bakken på en passende klippeavstand uten at operatøren er nødt til å bøye seg forover.

Du kan løse busktrimmeren på to forskjellige måter: Åpne stroppespennen (Fig. T), eller trykk på kroken slik at den løsner fra rørklipsen på skaftet (Fig. R-2).

⚠ ADVARSEL: Hvis en nødsituasjon oppstår, må du løse trimmeren fra skuldrene dine umiddelbart, uten hensyn til stroppenes tilstand. En rask måte å gjøre dette på, er å åpne stroppespennen (Fig. T) og fjerne stroppene fra skuldrene med begge hendene.

⚠ ADVARSEL: Du bør ikke bruke skulderstropp med en stropp og skulderstropp med to stropper samtidig.

OPPSTART/STOPP AV BUSKTRIMMEREN

For å starte

Trykk inn låsearmen, og hold den i den posisjonen. Trykk inn bryteren for å starte maskinen (Fig. U).

Forskjellig trykkraft på bryteren resulterer i forskjellig rotasjonshastighet på skjæretilbehøret. Juster hastighetsbegrensningsarmen for å stille inn den maksimale hastigheten om nødvendig.

MERK: Hastighetsbegrensningsarmen kan også forhåndsinnstilles til å begrense bryterens bevegelsesrom.

NO

For å stoppe

Slipp bryteren.

MERK: Motoren går bare når både låsearmen og bryteren er trykket inn.

⚠ ADVARSEL: Batteripakken må alltid fjernes fra trimmeren under pauser og etter endt arbeid.

BRUK AV MASKINEN

⚠ ADVARSEL: Kle deg riktig for å redusere risikoen for skader når du bruker busktrimmeren. Ikke bruk løstsittende klær eller smykker. Bruk vernebriller og øre-/hørselsvern. Bruk tunge og lange bukser, støvler og hansker. Ikke bruk korte bukser eller sandaler, og ikke gå barbert.

Før du starter maskinen, må du se deg omkring og sjekke at arbeidsområdet er trygt og fritt for andre personer, dyr og løse gjenstander. Disse må være på minst 15 meters avstand. Sørg for at du har på deg øyevern og egnede klær, og at du står støtt.

NO

For hver bruk må du se etter skadede/slitte deler

Sjekk trimmerhodet, det 3-tannede bladet, skjermen, skjermtilbehøret, sykkelhåndtaket og skulderstroppene, og skift ut deler som har sprekker eller er vridd, bøyd eller skadet på noen måte. Det trådkuttende bladet på kanten av skjermtilbehøret kan bli sløvt over tid. Det anbefales at du med jevne mellomrom skjerper det med en fil eller bytter det med et nytt blad.

Rengjør busktrimmeren etter hver bruk

BRUK MED TRIMMERHODET

Justering av trådlengden

Trimmerhodet gjør at brukeren kan frigjøre mer tråd uten å stoppe motoren. Etter hvert som tråden blir frynset eller slitt, kan du frigi mer tråd ved å trykke støtknotten lett mot bakken under bruk av trimmeren (se fig. V).

MERK: Frigjøring av tråd blir vanskeligere hvis tråden blir for kort.

⚠ ADVARSEL: Ikke fjern eller endre det trådkuttende bladet. Hvis tråden er for lang, vil motoren bli overopphetet, og dette kan resultere i alvorlig personskade.

Bytte av tråd

MERK: Bruk alltid anbefalt type nylontråd med en diameter på maks. 2,4 mm. Bruk av andre trådtyper enn den som er spesifisert, kan føre til at busktrimmeren blir overopphetet eller skadet.

⚠ ADVARSEL: Du må aldri bruke metallforsterket tråd, ståltråd, tau eller lignende, da disse kan gå i stykker og danne farlige prosjektiler.

1. Ta ut batteripakken.
2. Fjern den resterende tråden, om nødvendig.
3. Drei spoleholderen i retningen angitt av pilen, som nødvendig for å posisjonere LOAD-linjen på spoleholderen riktig i forhold til åpningene i spoleunderdelen (Fig. W-1).
4. Kapp 5 m med tråd, og stikk tråden inn i festehullet inne i åpningen (Fig. W-2). Trykk og trekk i tråden fra den andre siden til like mengder tråd er synlig på de to sidene av spolen (Fig. W-3).
5. Trykk mens du dreier spoleholderen i pilretningen for å vikle tråden rundt spolen, helt til ca. 14 cm med tråd er synlig på hver side (Fig. W-4).
6. Trykk spoleholderen ned mens du trekker i trådene for å slippe tråd ut manuelt og sjekke at trimmerhodet er korrekt montert.

Når tråden bryter løs fra trådutløpet eller ikke frigjøres når du trykker ned trimmerhodet, følger du trinnene under:

1. Ta ut batteripakken.
2. Trykk inn utløserklaffene på spoleholderen og fjern spoleholderen ved å trekke den rett ut (Fig. H-1 og H-2).
3. Fjern tråden fra spoleholderen.
4. Hold spoleunderdelen med én hånd og bruk den andre til å gripe spoleholderen og posisjonere klaffene på spoleholderen mot hullene i spoleunderdelen (Fig. X-1). Bruk håndflaten til trykke inn og dreie spoleholderen mot høyre og venstre til klaffene går i lås i spoleunderdelen (Fig. X-2).
5. Last inn tråden igjen.

BRUK MED 3-TANNET METALLBLAD

⚠ ADVARSEL: For å beskyære ville vekster og buskas, senk det roterende 3-tannede bladet ned mot vekstene for å oppnå en kutteffekt. Bruk busktrimmeren som en ljå (sveip den til høyre og venstre) på bakkenivået. Løft aldri skjæretilbehøret over hoftehøyde mens det er i bruk.

⚠ ADVARSEL: Jo lengre fra bakken skjæretilbehøret er, jo større er faren for at det kan oppstå skader som følge av at avkappet materiale slynges ut sideveis.

⚠ ADVARSEL: Ved beskjæring av unge trær eller greiner med en diameter på opptil 2 cm må du bruke venstre side av bladet for å unngå fare forbundet med uventede bladbevegelser. Ikke forsøk å skjære tremateriale med større diameter. Dette medfører risiko for at bladet henger seg opp eller at busktrimmeren blir støtt fremover. Dette kan føre til at bladet eller busktrimmeren blir skadet, eller til tap av kontroll over busktrimmeren med potensiell personskaade som resultat.

⚠ ADVARSEL: Feil bruk av et blad kan føre til at det sprekker, går i knas eller brister. Biter som slynges ut i luften, kan påføre operatøren eller tilskuere alvorlig skade. For å redusere risikoen for personskaade er det svært viktig at du overholder de følgende forholdsreglene:

- Unngå kontakt med harde fremmede gjenstander som steiner eller metallbiter.
- Skjær aldri trær eller buskvekster med en stamme- eller grendiameter på mer enn 2 cm.
- Sjekk bladet regelmessig for tegn til skade. Ikke fortsett å arbeide med et skadet blad.
- Skjerp bladet jevnlig (når du merker at det er blitt sløvt), og få det balansert om nødvendig (dette må utføres av en kvalifisert servicetekniker).

Tilbakeslag

Utvis ekstrem forsiktighet når du bruker det 3-tannede bladet med denne enheten. Tilbakeslag er reaksjonen som kan inntreffe når det roterende bladet kommer i kontakt med noe det ikke kan skjære gjennom. Denne kontakten kan få bladet til å stoppe opp for så plutselig å "støte" enheten bort fra gjenstanden den støtte borti. Denne reaksjonen kan være voldsom nok til at operatøren mister kontroll over enheten. Tilbakeslag kan inntreffe uten forvarsel dersom bladet hekter seg fast, stopper eller henger seg opp. Dette har større sannsynlighet for å skje i områder der det er vanskelig å se materialet som skjæres. Den enkleste og sikreste fremgangsmåten er å bevege busktrimmeren mot vekstene som skal skjæres, fra høyre mot venstre. På denne måten kan du minimere risikoen for tilbakeslag i tilfelle bladet støter på en uventet gjenstand eller en trestamme- eller grein som er for tykk.

VEDLIKEHOLD

⚠ ADVARSEL: Før du kontrollerer, rengjør eller utfører vedlikehold på enheten, må du stanse motoren, vente til alle bevegelige deler har stanset, og ta ut batteripakken. Manglende etterlevelse av disse instruksjonene kan resultere i alvorlig personskaade eller skade på eiendom.

⚠ ADVARSEL: I forbindelse med service må det bare brukes identiske reservedeler. Bruk av andre deler kan forårsake farer eller skader på produktet. For sikre både sikkerheten og påliteligheten må alle reparasjoner utføres av en kvalifisert servicetekniker.

GENERELT VEDLIKEHOLD

Ikke bruk løsemidler når du rengjør plastdeler. De fleste plasttyper vil kunne ta skade av å bli rengjort med forskjellige typer løsemidler som er i vanlig salg. Bruk rene kluter for å fjerne skitt, støv, olje, fett osv.

RENGJØR MASKINEN

- Etter hver bruk av det 3-tannede bladet / trimmerhodet må du fjerne smuss, jordklumper og gress fra bladet og skjermen med en myk børste.

MERK: Når det trådkuttende bladet blir sløvt, må du få det skjerpet hos en kvalifisert servicetekniker eller skifte det ut med et nytt trådkuttende blad om nødvendig.

- Etter hver bruk av busktrimmeren må du rengjøre skjæretilbehøret med en fuktig klut og et mildt vaskemiddel.
- Ikke bruk sterke vaskemidler på plasthuset eller håndtaket. De kan bli skadet av visse aromatiske oljer, slik som furu og sitron, og av løsemidler som parafin. Fuktighet kan også føre til fare for støt. Tørk av eventuell fuktighet med en myk, tørr klut.
- Bruk en liten børste eller støvsuger til å rengjøre ventilasjonsåpningene på det bakre huset.

OPPBEVARING AV MASKINEN

- Fjern batteripakken fra verktøyet.
- Bruk tykke hansker, og rengjør verktøyet grundig.
- Fest futteralet på det 3-tannede bladet for sikker oppbevaring (Fig. Y).
- Lagre enheten på et tørt og godt ventilert sted, låst inne eller høyt oppe, og utilgjengelig for barn. Ikke oppbevar maskinen på eller nær gjødsel, bensin eller andre kjemikalier.

NO

Beskytt miljøet



Elektrisk utstyr, batteriladere og batterier/ oppladbare batterier skal ikke kastes i husholdningsavfallet.

Ifølge direktiv 2012/19/EU og direktiv 2006/66/EF skal elektrisk og elektronisk utstyr som ikke lenger er brukbart, samt defekte eller brukte batteripakker/batterier samles inn separat.

Hvis elektrisk apparater kastes på søppelfyllinger, kan farlige stoffer lekke ut i grunnvannet og komme inn i næringskjeden, og forårsake skader på helse og velvære.

NO

EU-SAMSVARERKLÆRING



Vi, EGO EUROPE GMBH

Wahlwiesenstrasse 1, D-71711 Steinheim an der Murr Deutschland

erklærer at produktet **BC3800E 56 V litium-ion busk-trimmer med bakplassert motor og sykkelhåndtak** er i samsvar med de grunnleggende helse- og sikkerhetskravene i følgende direktiver:

2006/42/EF, 2014/30/EF, 2011/65/EU, 2000/14/EF

Standarder og tekniske spesifikasjoner som det henvises til:

EN ISO 11806-1, EN 60745-1, EN 55014-1, EN 55014-2, IEC 62321.

| | Trimmerhode | 3-tannet metallblad |
|--------------------------|-------------|---------------------|
| Målt lydeffektnivå: | 94,80 dB(A) | 94,04 dB(A) |
| Garantert lydeffektnivå: | 96 dB(A) | 96 dB(A) |

Prosedyre for samsvarsvurdering i Tillegg XI er iverksatt i henhold til 2000/14/EC.

Teknisk kontrollorgan: DEKRA Certification B.V. Meander 1051 / P.O. box 5185 6525 MJ ARNHEM / 6802 ED ARNHEM, Netherlands

Nummer på teknisk kontrollorgan: 0344

Peter Melrose
Administrerende direktør
for EGO Europe GmbH

Dong Jianxun
Kvalitetsdirektør hos Chevron

** (Autorisert representant for CHERVON og ansvarlig for teknisk dokumentasjon)

01/09/2017

FEILSØKING

| PROBLEM | ÅRSAK | LØSNING |
|--------------------|--|--|
| Kunne ikke starte. | <ul style="list-style-type: none">■ Batteripakken er ikke festet til busktrimmeren.■ Ingen elektrisk kontakt mellom busktrimmeren og batteripakken.■ Batteripakken er tom.■ Låsearmen og bryteren er ikke blitt trykket inn samtidig. | <ul style="list-style-type: none">■ Fest batteripakken til drivhodet.■ Fjern batteripakken, sjekk kontaktene og sett batteripakken tilbake på plass.■ Lad opp batteripakken med en av EGO-laderne som er oppført i denne håndboken.■ Trykk inn låsearmen og hold den inne, og trykk deretter inn bryteren for å starte busktrimmeren. |
| Sluttet å virke. | <ul style="list-style-type: none">■ Motoren er overbelastet.■ Tråden som brukes, er for tung.■ Batteripakken eller busktrimmeren er for varm.■ Batteripakken er koblet fra verktøyet.■ Batteripakken er utladet. | <ul style="list-style-type: none">■ Motoren vil fungere normalt igjen etter at belastningen er fjernet. Ved kontinuerlig bruk bør du redusere belastningen på drivhodet.■ Bruk standard nylontråd med en diameter på maks. 2,4 mm.■ La batteripakken eller drivhodet kjøle seg ned til temperaturen kommer under 67 °C.■ Installer batteripakken på nytt.■ Lad opp batteripakken med en av EGO-laderne som er oppført i denne håndboken. |

NO

| PROBLEM | ÅRSAK | LØSNING |
|--|---|---|
| Trimmerhodet slipper ikke ut tråd (gjelder bare ved bruk av trimmerhodet). | <ul style="list-style-type: none">■ Motorakselen eller trimmerhodet er blokkert av gress.■ Det er ikke nok tråd på spolen.■ Trimmerhodet er skittent.■ Tråden har viklet seg sammen på spolen.■ Tråden er for kort. | <ul style="list-style-type: none">■ Stans maskinen, ta ut batteriet, og fjern gresset fra motorakselen og trimmerhodet.■ Ta ut batteriet, og fyll på med tråd ved å følge anvisningene i «BYTTE AV TRÅD» i denne håndboken.■ Ta ut batteriet, og rengjør spolen, spoleholderen og spoleunderdelen.■ Ta ut batteriet, fjern tråden fra spolen og spol den tilbake. Følg anvisningene i avsnittet «BYTTE AV TRÅD» i denne håndboken.■ Ta ut batteriet, og trekk i tråden mens du vekselvis trykker ned og slipper ut støtknotten. |

NO**GARANTI****EGOs GARANTIREGLER**

Besøk nettsiden egopowerplus.com for å se fullstendige vilkår og betingelser for EGO-garantireglene.

ПРОЧИТАЙТЕ ВСЕ ИНСТРУКЦИИ!



ВНИМАТЕЛЬНО ПРОЧИТАЙТЕ РУКОВОДСТВО ПОЛЬЗОВАТЕЛЯ.

⚠️ Остаточные риски! Если вы используете электронные устройства, такие как кардиостимулятор, перед эксплуатацией данного устройства проконсультируйтесь с врачом. Использование электрооборудования в непосредственной близости от кардиостимулятора может привести к образованию помех и повреждению кардиостимулятора.

⚠️ ПРЕДУПРЕЖДЕНИЕ. Чтобы обеспечить безопасность и надежность устройства, его ремонт и замену частей должен выполнять квалифицированный специалист.

СИМВОЛЫ БЕЗОПАСНОСТИ

Символы безопасности предназначены для привлечения внимания к возможным рискам. Символы безопасности, а также объяснения к ним, требуют особого внимания и понимания. Предупреждения по технике безопасности сами по себе не устраняют опасность. Инструкции и предупреждения не заменяют соответствующие меры по предотвращению несчастных случаев.

⚠️ ПРЕДУПРЕЖДЕНИЕ Перед использованием устройства внимательно прочитайте все инструкции в данном руководстве пользователя и ознакомьтесь с предупреждающими символами безопасности, такими как «ОПАСНОСТЬ», «ПРЕДУПРЕЖДЕНИЕ» и «ВНИМАНИЕ». Несоблюдение всех приведенных ниже инструкций может привести к поражению электрическим током, возникновению пожара и/или получению серьезных травм.

ЗНАЧЕНИЕ СИМВОЛОВ

⚠️ ПРЕДУПРЕЖДАЮЩИЙ СИМВОЛ: Означает «ОПАСНОСТЬ», «ПРЕДУПРЕЖДЕНИЕ» или «ВНИМАНИЕ» и может использоваться с другими символами




⚠️ ПРЕДУПРЕЖДЕНИЕ. В результате работы электроинструмента в глаза могут пасть посторонние предметы, что приведет к серьезному повреждению глаз. Перед началом использования электроинструмента всегда надевайте защитную маску или защитные очки с боковыми щитками и полнопрофильную защитную маску (при необходимости). Поверх очков или стандартных защитных очков рекомендуется надевать маску Wide Vision Safety.





ИНСТРУКЦИИ ПО ТЕХНИКЕ БЕЗОПАСНОСТИ

Далее приведено изображение и описание символов безопасности, которые могут присутствовать на данном устройстве. Перед сборкой или использованием внимательно прочитайте все инструкции, приведенные на устройстве, и соблюдайте их.

| | | |
|--|--|---|
| | Предупреждение об опасности | Указывает на потенциальную опасность получения травмы. |
| | Внимательно прочитайте руководство пользователя. | Чтобы уменьшить риск получения травм, перед использованием устройства необходимо прочесть и понять руководство по эксплуатации. |
| | Надевайте защитные очки. | При работе с данным устройством всегда используйте защиту для глаз или защитные очки с боковыми щитками и полнопрофильную защитную маску. |
| | Используйте средства защиты органов слуха. | Всегда используйте средства защиты органов слуха (наушники или беруши). |
| | Используйте защитный головной убор. | Используйте надежную каску для защиты головы. |

RU

| | | |
|---|--|---|
|  | Используйте защитные перчатки. | При работе с режущим элементом и щитком надевайте защитные перчатки. Прочные перчатки из нескользящих материалов улучшат захват инструмента и защитят руки. |
|  | Используйте надежную обувь. | При использовании устройства надевайте надежную нескользящую обувь. |
|  | Остерегайтесь отдачи режущего элемента. | Предупредите оператора об опасности отдачи режущего элемента. |
|  | Возможен рикошет, не позволяйте посторонним людям находиться поблизости. | Отброшенные предметы могут отскочить и привести к травмам или повреждению имущества. Убедитесь, что другие люди и животные находятся на расстоянии от работающего устройства. |
|  | Не позволяйте посторонним людям находиться поблизости. | Убедитесь, что другие люди и животные находятся на расстоянии не менее 15 м от работающего устройства. |
|  | Не используйте круглые режущие элементы. | Не используйте круглые режущие элементы. |
|  | Не оставляйте под дождем. | Во время дождя не используйте устройство и не оставляйте его вне помещения. |

| | | |
|---|------------------------------|---|
|  | CE | Соответствует основным требованиям стандартов безопасности Европейских директив. |
|  | WEEE | Неисправные электрические устройства нельзя выбрасывать вместе с бытовым мусором. Сдавайте их в авторизованные пункты сбора и утилизации. |
|  | Шум | Гарантированный уровень звуковой мощности. Уровень шума в окружающей среде в соответствии с директивой ЕС. |
| V | Вольт | Напряжение |
|  | Постоянный ток | Тип или характеристика тока |
| n_0 | Скорость работы без нагрузки | Скорость вращения без нагрузки |
| ... /min | В минуту | Оборотов в минуту |

ВАЖНЫЕ ИНСТРУКЦИИ ПО ТЕХНИКЕ БЕЗОПАСНОСТИ

⚠ ПРЕДУПРЕЖДЕНИЕ! При использовании данного устройства необходимо соблюдать следующие основные меры предосторожности для уменьшения вероятности возникновения пожара, поражения электрическим током и получения травм.

ВНИМАТЕЛЬНО ПРОЧИТАЙТЕ ПЕРЕД ИСПОЛЬЗОВАНИЕМ.

СОХРАНИТЕ ДЛЯ ИСПОЛЬЗОВАНИЯ В БУДУЩЕМ.

⚠ ОПАСНО! Не следует полагаться на изоляцию инструмента для защиты от поражения электрическим током. Чтобы снизить риск поражения электрическим током, не эксплуатируйте устройство в непосредственной близости от каких-либо проводов или кабелей (питания и др.), через которые может проходить электрический ток.

⚠ ВНИМАНИЕ! Во время использования устройства надевайте соответствующие индивидуальные средства защиты органов слуха. При определенных условиях и длительности использования шум от данного устройства может привести к потере слуха.

ОБУЧЕНИЕ

- Внимательно прочитайте инструкцию. Ознакомьтесь со всеми элементами управления и научитесь правильному использованию оборудования.
- Никогда не позволяйте пользоваться устройством детям или людям, не знакомым с этими инструкциями. Местные нормы могут ограничивать возраст оператора.
- Помните, что оператор или владелец несут ответственность за несчастные случаи и ущерб, нанесенный другим людям или их имуществу.

ПОДГОТОВКА

- Не используйте устройство, если рядом находятся люди (особенно дети) или животные.
- При работе с устройством надевайте защитные очки и прочную обувь.
- Расстояние между устройством и посторонними лицами должно составлять не менее 15 м.

ИСПОЛЬЗОВАНИЕ

- Используйте кусторез только при дневном свете или хорошем искусственном освещении.
- Не используйте устройство, если щитки повреждены или не установлены.
- Перед запуском двигателя убедитесь, что режущие элементы находятся на достаточном расстоянии от рук и ног.

- Всегда отключайте кусторез от источника питания (т.е. извлеките аккумулятор):
 - если кусторез остается без присмотра;
 - перед очисткой засорения;
 - перед проверкой, очисткой или ремонтом кустореза;
 - после столкновения с посторонним предметом;
 - в случае чрезмерной вибрации кустореза.
- Чтобы не допустить получения травм, руки и ноги должны находиться на безопасном расстоянии от режущих частей.
- Следите за тем, чтобы вентиляционные отверстия не были засорены.

ОБСЛУЖИВАНИЕ И ХРАНЕНИЕ

- Прежде чем выполнять обслуживание или очистку, всегда отключайте кусторез от источника питания (т.е. извлеките аккумулятор).
- Используйте только запасные части и дополнительные приспособления, рекомендованные производителем.
- Регулярно проверяйте кусторез и выполняйте его обслуживание. Ремонт устройства должен выполнять только квалифицированный специалист.
- Если кусторез не используется, храните его в недоступном для детей месте.

ДОПОЛНИТЕЛЬНЫЕ ПРЕДУПРЕЖДЕНИЯ ПО ТЕХНИКЕ БЕЗОПАСНОСТИ

- **Не подпускайте к устройству детей.** Все посторонние должны находиться на расстоянии не менее 30 метров от рабочей зоны.
- **Не допускайте работы в опасных условиях.** Не используйте устройство на влажных и мокрых склонах.
- **Всегда выключайте кусторез или извлекайте из него аккумулятор, когда оставляете устройство без присмотра.**
- **Не используйте во время дождя.**

RU

- **Одевайтесь надлежащим образом.** Не надевайте свободную одежду, украшения, шорты, сандалии, не ходите босиком. Они могут попасть в движущиеся части. Всегда надевайте плотные длинные брюки и рубашку с длинными рукавами. При работе на открытом воздухе рекомендуется использовать резиновые перчатки и прочную обувь. Надевайте защитный головной убор, чтобы убрать длинные волосы или закрепить их над уровнем плеч.
- **Используйте защитные очки.** Если во время работы возникает пыль, всегда надевайте маску для лица или респиратор.
- **Используйте подходящий инструмент.** Не используйте устройство не по назначению.
- **Не прилагайте чрезмерных усилий к кусторезу.** Устройство работает эффективнее и безопаснее при номинальной нагрузке.
- **Не тянитесь.** Всегда сохраняйте устойчивое положение и равновесие.
- **Будьте бдительны.** Следите за своими действиями. Руководствуйтесь здравым смыслом. Не пользуйтесь кусторезом в состоянии усталости.
- **Не используйте кусторез в состоянии алкогольного или наркотического опьянения.**
- **Защитные ограждения должны быть установлены и находиться в рабочем состоянии.**
- **Всегда держите руки и ноги подальше от режущих частей.**
- **Храните кусторез в помещении.** Если устройство не используется, его необходимо хранить с извлеченным аккумулятором в сухом, высоком или закрытом месте, недоступном для детей.
- **Обслуживайте кусторез с осторожностью.** Для максимальной производительности и снижения риска получения травм следите за тем, чтобы режущий элемент был чистым. Соблюдайте инструкции по замене принадлежности. Следите за тем, чтобы рукоятки были сухими и чистыми и на них не было масла или смазочного материала.
- **Проверяйте инструмент на наличие поврежденных частей.** Перед дальнейшим использованием инструмента необходимо тщательно проверить щиток или другие поврежденные части и убедиться в их исправной работе и выполнении предназначенной функции. Проверьте движущиеся части на правильность выравнивания и сцепления, а также все остальные части устройства на наличие повреждений, надежность крепления и другие условия, которые могут повлиять на работу устройства. В случае повреждения щиток или другие части необходимо отремонтировать надлежащим образом или заменить в авторизованном сервисном центре, если иное не указано в данном руководстве пользователя.
- **Убедитесь, что все фиксаторы установлены и надежно закреплены. Убедитесь, что щиток режущего элемента установлен надлежащим образом в положении, рекомендованном производителем.**
- **Очищайте обрабатываемый участок перед каждым использованием инструмента.** Удалите такие предметы, как камни, осколки стекла, гвозди, проволоку или веревки, которые могут запутаться в режущем элементе или которые он может отбросить. На участке не должны находиться дети, посторонние и животные. Дети, посторонние и животные должны находиться на расстоянии не менее 15 м. Но за пределами этой зоны все еще сохраняется риск получения травм от отлетающих предметов. Посторонние лица должны надевать защитные очки.
- **Перед началом и после завершения использования кустореза проверьте его на наличие износа и повреждений; при необходимости отремонтируйте.**
- **Во время использования всегда крепко держите кусторез обеими руками за рукоятки. Обхватите рукоятки пальцами.**
- **Не допускайте случайного включения.** Во время переноски кустореза не держите палец на курке.
- **Не используйте кусторез в горячих и взрывоопасных средах.** Во время работы двигатель устройства генерирует искры, которые могут воспламенить горючие газы.
- **Повреждение кустореза.** Если устройство столкнулось с посторонним предметом или запуталось в чем-либо, немедленно выключите его, извлеките аккумулятор, проверьте кусторез на наличие повреждений и отремонтируйте повреждение перед следующим использованием устройства. Не используйте устройство с поврежденными щитком или режущим элементом.

- Если кусторез чрезмерно вибрирует, заглушите двигатель, извлеките из устройства аккумулятор и немедленно выясните причину. Обычно вибрация указывает на возникновение проблемы. Ослабленный режущий элемент может вибрировать, треснуть, сломаться или соскочить с кустореза, что может привести к серьезным травмам или смерти. Убедитесь, что режущий элемент установлен правильно и надежно закреплен. Если режущий элемент расшатывается после закрепления, немедленно замените его. Никогда не используйте кусторез, если его режущий элемент плохо закреплен.
- Немедленно замените режущий элемент, если он треснул, поврежден или изношен, даже если повреждения являются лишь поверхностными трещинами. Поврежденные режущие элементы могут разрушиться на высокой скорости и нанести серьезные или фатальные травмы.
- Чтобы снизить риск получения травм, никогда не работайте на стремянке или на любой другой неустойчивой поверхности. Никогда не поднимайте режущий элемент выше уровня талии.
- Никогда не используйте проволоку вместо нейлоновой режущей лески. Кусочки проволоки могут отламываться и отбрасываться с большой скоростью в сторону оператора и стоящих рядом.
- Сохраняйте устойчивое положение. Не тянитесь. Режущий элемент должен быть расположен ниже уровня талии. Следите за тем, чтобы все части тела находились на расстоянии от вращающегося режущего элемента.
- Регулярно проверяйте режущий элемент во время использования, а также сразу после обнаружения серьезных изменений в работе устройства.
- Используйте только авторизованные компанией EGO полимерные лески и режущие элементы, разработанные специально для этого устройства. Использование неавторизованных приспособлений очень опасно и может привести к повреждению устройства.
- В случае приближения к препятствиям или посторонним лицам остановите двигатель и режущий элемент.
- Предупредите оператора об опасности отдачи режущего элемента (только при использовании режущего элемента с тремя зубцами).
 - Отдача возникает при контакте вращающегося режущего элемента с объектом, который он не может сразу разрезать.
 - Отдача может быть достаточно сильной, чтобы оттолкнуть устройство и/или оператора в любом направлении и привести к потере контроля над устройством.
 - Отдача может возникнуть внезапно, если режущий элемент зацепился, застрял или зажался.
 - Отдача наиболее вероятна в таких ситуациях, когда обрабатываемый материал плохо видно.
- Не прикрепляйте никакие режущие элементы к устройству без надлежащей установки всех необходимых частей. Несоблюдение рекомендаций по установке надлежащих частей может привести к отлетанию режущего элемента и нанесению серьезных травм оператору и/или посторонним лицам. Заменяйте погнутые, изношенные, треснувшие, сломанные или каллибированные поврежденные режущие элементы. Используйте только острые режущие элементы. Тупой режущий элемент чаще застревает и провоцирует отдачи (только при использовании режущего элемента с тремя зубцами).
- Аккумулятор необходимо утилизировать безопасным способом.
- Режущий элемент или леска по инерции могут нанести травмы во время вращения даже при остановке двигателя или отпускании курка. Сохраняйте полный контроль над устройством, пока режущий элемент или леска полностью не остановится.
- Не заряжайте аккумулятор под дождем или во влажных условиях.
- Используйте только аккумуляторы и зарядные устройства EGO, указанные ниже.

RU

| АККУМУЛЯТОР | ЗАРЯДНОЕ УСТРОЙСТВО |
|---|---------------------|
| BA1120E, BA1400, BA2240E, BA2800, BA3360, BA4200, BAX1300 | CH2100E CH5500E |

- Прежде чем выбрасывать устройство, необходимо извлечь аккумулятор.

- **Не бросайте аккумуляторы в огонь.** Аккумуляторы могут взорваться. Ознакомьтесь с местными нормами и правилами, которые могут содержать специальные инструкции по утилизации.
- **Не вскрывайте и не деформируйте аккумулятор.** Вытекший электролит может стать причиной коррозии и привести к повреждению глаз или кожи. Он токсичен при проглатывании.
- **Будьте осторожны при обращении с аккумуляторами, чтобы не замкнуть контакты предметами из проводящих материалов, такими как кольца, браслеты и ключи.** Аккумулятор или контакт могут перегреться и вызвать ожоги.
- **Запасные части.** При ремонте используйте только идентичные запасные части EGO. Использование других принадлежностей или приспособлений может привести к получению травмы.
- **Работающие от аккумуляторов инструменты не требуются подключать к розетке электросети, поэтому они всегда готовы к использованию.** Помните о возможности возникновения опасных ситуаций даже когда устройство не используется. Соблюдайте осторожность при выполнении технического обслуживания или ремонта.
- **Извлеките и отсоедините аккумулятор перед выполнением обслуживания, очистки или удаления материала из кустореза.**
- **Не мойте устройство из шланга.** Избегайте попадания воды в двигатель и электрические соединения.
- **При возникновении ситуаций, не описанных в данном руководстве, соблюдайте осторожность и руководствуйтесь здравым смыслом.** Обратитесь в сервисный центр EGO за помощью.

RU

СОХРАНИТЕ ДАННЫЕ ИНСТРУКЦИИ!

ТЕХНИЧЕСКИЕ ХАРАКТЕРИСТИКИ

| | | | |
|--|----------------------------------|--------------------------------------|---------------------------------|
| Режущий блок | Режущая головка | Металлическое лезвие с тремя зубцами | |
| Напряжение | 56 V | 56 V | |
| Скорость вращения без нагрузки | 4500-6000 /min | 4500-6000 /min | |
| Тип режущей лески | Нейлоновая крученая леска 2,4 мм | / | |
| Режущий элемент | / | ABB1203 | |
| Ширина резания | 38 cm | 30 cm | |
| Масса (Без батарейного блока) | 4,35 кг | 4,64 кг | |
| Измеренный уровень звуковой мощности L_{WA} | 94,80 dB(A); K=1,01 dB(A) | 94,04 dB(A); K=1,71 dB(A) | |
| Уровень звукового давления в рабочем состоянии L_{PA} | 80,2 dB(A); K=2,5 dB(A) | 80,0 dB(A); K=4,1 dB(A) | |
| Гарантированный уровень звуковой мощности L_{WA} (измерен в соответствии с 2000/14/ЕС) | 96 dB(A) | 96 dB(A) | |
| Значение вибрации a_h | Левая рукоятка | 2,28 m/c^2 ; K=1,5 m/s^2 | 1,55 m/c^2 ; K=1,5 m/c^2 |
| | Правая рукоятка | 2,38 m/c^2 ; K=1,5 m/c^2 | 1,88 m/c^2 ; K=1,5 m/c^2 |

- Указанный общий показатель уровня вибрации был определен с помощью стандартного теста и может быть использован для сравнения разных инструментов.
- Указанный общий уровень вибрации может использоваться также для предварительной оценки уровня воздействия.

ПРИМЕЧАНИЕ. Реальное вибрационное воздействие электроинструмента может отличаться от указанного в зависимости от способа использования. В целях безопасности оператор должен надевать перчатки и средства защиты органов слуха во время использования устройства.

УПАКОВОЧНЫЙ ЛИСТ

| НАЗВАНИЕ ДЕТАЛИ | КОЛИЧЕСТВО |
|----------------------------------|------------|
| Кусторез | 1 |
| Лезвие с тремя зубцами, с чехлом | 1 |
| Щиток в сборе | 1 |
| Гайка | 1 |
| Внешний фланец | 1 |
| Шестигранный ключ | 1 |
| Многофункциональный гаечный ключ | 1 |
| Двойной наплечный ремень | 1 |
| Руководство по эксплуатации | 1 |

ОПИСАНИЕ

ЧАСТИ КУСТОРЕЗА (Рис. А)

1. Рычаг ограничения скорости
2. Рычаг блокировки
3. Барашковый болт
4. Курок
5. Ручьятка велосипедного типа
6. Вал
7. Режущая леска
8. Щиток в сборе
9. Режущая головка
10. Уплотнительный винт
11. Отверстие блокировки вала
12. Защитный аксессуар
13. Многофункциональный гаечный ключ
14. Шестигранный ключ
15. Режущий элемент с тремя зубцами
16. Внешний фланец
17. Гайка
18. Кнопка фиксации
19. Резиновая защитная накладка
20. Фиксатор
21. Электрические контакты
22. Выталкивающий механизм
23. Пряжка ремня
24. Накладка на бедро

⚠ ПРЕДУПРЕЖДЕНИЕ. Никогда не используйте устройство без надежно установленного щитка. Щиток всегда должен быть установлен на устройство для защиты пользователя.

⚠ ПРЕДУПРЕЖДЕНИЕ. Когда на устройство установлена режущая головка, поверх щитка необходимо установить защитный элемент с лезвием для обрезки лески. В противном случае это может привести к чрезмерному вытягиванию режущей лески и перегрузке двигателя. Никогда не используйте режущую головку без защитного элемента.

СБОРКА

⚠ ПРЕДУПРЕЖДЕНИЕ. Если какие-либо части повреждены или отсутствуют, не используйте кусторез, пока они не будут установлены. Использование кустореза с поврежденными или отсутствующими частями может привести к получению серьезной травмы.

⚠ ПРЕДУПРЕЖДЕНИЕ. Не пытайтесь изменить конструкцию кустореза или создать не рекомендованные для него дополнительные приспособления. Подобное изменение считается ненадлежащим использованием и способствует возникновению опасной ситуации, которая приведет к получению серьезной травмы.

⚠ ПРЕДУПРЕЖДЕНИЕ. Всегда надевайте прочные перчатки при установке или извлечении щитка, а также при выполнении каких-либо работ по обслуживанию режущего элемента с тремя зубцами и лезвия для обрезки лески. Остерегайтесь лезвия для обрезки лески на щитке и режущего элемента с тремя зубцами, берегите руки от порезов.

⚠ ПРЕДУПРЕЖДЕНИЕ. Чтобы предотвратить случайное включение устройства и получение серьезной травмы, во время сборки и транспортировки извлекайте аккумулятор.

⚠ ПРЕДУПРЕЖДЕНИЕ. Никогда не используйте устройство без надежно установленного щитка и ручьятки велосипедного типа. В противном случае это может привести к серьезным травмам.

RU

УСТАНОВКА И РЕГУЛИРОВКА РУКОЯТКИ ВЕЛОСИПЕДНОГО ТИПА

Расположите курорез, как показано на Рис. В. Открутите барашковый болт на соединении, а затем поверните рукоятку велосипедного типа на 180° вокруг вала (Рис. С), поверните ее на 90° против часовой стрелки таким образом, чтобы она была направлена в сторону головки катушки (Рис. D). Затем перемещайте ее назад и вперед, чтобы найти удобное рабочее положение, и затяните болт.

ПРИМЕЧАНИЕ. При использовании устройства рукоятка велосипедного типа должна быть расположена только перпендикулярно валу.

УСТАНОВКА ЩИТКА

Открутите и удалите два винта с основания вала (Рис. Е), совместите крепежные отверстия щитка с отверстиями для установки, а затем зафиксируйте щиток на основании вала при помощи двух винтов и двух пружинных шайб (Рис. F).

Убедитесь, что щиток установлен так, как показано на Рис. Е и F. Любое другое положение установки может быть очень опасным!

RU

ЗАМЕНА РЕЖУЩЕЙ ГОЛОВКИ НА РЕЖУЩИЙ ЭЛЕМЕНТ С ТРЕМЯ ЗУБЦАМИ

Чтобы снять режущую головку (Рис. G), выполните инструкции на Рис. H-1 — Рис. H-4 (см. раздел «Замена лески»). Для установки режущего элемента следуйте инструкциям ниже.

1. Процесс установки металлического лезвия показан на Рис. I.
2. Чтобы снять защитный элемент, открутите три винта с шайбами (Рис. J).
3. Режущий элемент поставляется с чехлом. Перед установкой режущего элемента на курорез необходимо снять с него чехол, сняв проволочный зажим с крючка на чехле (Рис. K).

Описание частей на Рис. G-K

| | | | |
|-----|-------------------|-----|---------------------------------|
| G-1 | Внутренний фланец | I-3 | Крышка фланца |
| G-2 | Крышка фланца | I-4 | Режущий элемент с тремя зубцами |
| G-3 | Верхний корпус | I-5 | Внешний фланец |
| G-4 | Шайба | I-6 | Гайка |
| G-5 | Гайка | I-7 | Прорезь фланца |
| G-6 | Пружина | J-1 | Лезвие для линейной резки |
| G-7 | Режущая леска | J-2 | Защитный аксессуар |
| G-8 | Нижний корпус | K-1 | Проволочный зажим |
| I-1 | Вал двигателя | K-2 | Крючок |
| I-2 | Внутренний фланец | | |

ПРИМЕЧАНИЕ. Во избежание травм обязательно надевайте перчатки перед выполнением каких-либо действий с режущим элементом с тремя зубцами.

4. Проверните вал двигателя, чтобы совместить прорезь внутреннего фланца с отверстием блокировки вала в корпусе редуктора (Рис. L).
5. Вставьте шестигранный ключ в совмещенные отверстия в качестве фиксатора (Рис. M).

Описание частей на Рис. L и M

| | | | |
|-----|---------------------------------------|-----|---------------|
| L-1 | Редуктор | L-3 | Вал двигателя |
| L-2 | Совмещенные отверстия блокировки вала | M-1 | Фиксатор |

6. Установите режущий элемент на вал двигателя и убедитесь, что поверхность режущего элемента плотно прилегает к выпуклой части внутреннего фланца. Установите внешний фланец и гайку (Рис. N). Предварительно затяните гайку ПРОТИВ ЧАСОВОЙ СТРЕЛКИ вручную.

Описание частей на Рис. N

| | |
|-----|---------------------------------|
| N-1 | Гайка |
| N-2 | Внешний фланец |
| N-3 | Режущий элемент с тремя зубцами |

7. Положите корпус редуктора на твердую поверхность для опоры. Одной рукой удерживайте вал курореза, а другой рукой при помощи прилагаемого многофункционального гаечного ключа затяните гайку в направлении, указанном стрелкой на внешнем фланце (Рис. O).

ИСПОЛЬЗОВАНИЕ ЗАЩИТНОГО ЭЛЕМЕНТА

ПРИМЕЧАНИЕ. Когда на кусторез установлена режущая головка, поверх щитка необходимо установить защитный элемент.

Чтобы закрепить защитный элемент на щитке, затяните три винта с помощью шестигранного гаечного ключа таким образом, чтобы лезвие для обрезки лески было закреплено на защитном элементе. В противном случае это может привести к чрезмерному вытягиванию режущей лески и перегрузке двигателя.

ИСПОЛЬЗОВАНИЕ

⚠ ПРЕДУПРЕЖДЕНИЕ Не допускайте небрежности и беспечности при работе с устройством. Помните, что потери бдительности на долю секунды достаточно для получения серьезной травмы.

⚠ ПРЕДУПРЕЖДЕНИЕ Всегда надевайте защитные очки, а также используйте защиту органов слуха. В противном случае выбрасываемые предметы попадут в глаза, что может привести к получению серьезной травмы.

⚠ ПРЕДУПРЕЖДЕНИЕ Не используйте насадки или дополнительные приспособления, не рекомендованные производителем устройства. Использование нерекондованных насадок и дополнительных приспособлений может привести к серьезным травмам.

ПРИМЕНЕНИЕ

Данный кусторез можно использовать в следующих целях.

- При использовании металлического лезвия с тремя зубцами. Срезание травы, сорняков, дикой поросли и кустарников, прореживание молодых растений с диаметром стебля не более 2 см.
- При использовании режущей головки. Стрижка травы и сорняков около подъездов, заборов и настилов.

ПРИМЕЧАНИЕ. Устройство должно использоваться только по назначению. Любое другое использование (например, обрезка кустов) считается ненадлежащим.

УСТАНОВКА И ДЕМОНТАЖ АККУМУЛЯТОРА

Перед первым использованием полностью зарядите аккумулятор.

Установка

Совместите ребра аккумулятора с крепежными отверстиями и вставьте аккумулятор до щелчка (Рис. P).

Демонтаж

Нажмите кнопку фиксации аккумулятора и извлеките аккумулятор (Рис. Q).

Описание частей на Рис. P

| | |
|-----|---------------------|
| P-1 | Крепежное отверстие |
| P-2 | Ребро |

УСТАНОВКА ДВОЙНОГО НАПЛЕЧНОГО РЕМНЯ И УДЕРЖИВАНИЕ УСТРОЙСТВА

Наденьте двойной наплечный ремень и вставьте две части пряжки друг в друга до щелчка (Рис. R-1). Выровняйте крючок накладки на бедро с отверстием в крепежной скобе, прикрепленной к валу, и мягко нажмите на вал (Рис. R-2, R-3 и R-4).

Удерживайте устройство двумя руками с правой стороны от себя (Рис. S). Режущая головка или режущий элемент должны располагаться параллельно земле на таком расстоянии, при котором оператору не нужно тянуться и перегибаться.

Освободиться от кустореза можно двумя способами. Расстегните пряжку (Рис. T) или отстегните крючок от крепежной скобы, прикрепленной к валу (Рис. R-2).

⚠ ПРЕДУПРЕЖДЕНИЕ В случае возникновения чрезвычайной ситуации немедленно снимите инструмент с плеча любым способом. Самый быстрый способ: расстегните пряжку (Рис. T) и обеими руками снимите ремни с плеч.

⚠ ПРЕДУПРЕЖДЕНИЕ: Запрещается использовать одновременно плечевой ремень на одно плечо и ремень на два плеча.

ВКЛЮЧЕНИЕ И ВЫКЛЮЧЕНИЕ КУСТОРЕЗА

Включение

Нажмите на рычаг блокировки и удерживайте его. Нажмите на курок для запуска устройства (Рис. U).

Сила нажатия на курок влияет на скорость вращения режущего элемента. При необходимости используйте рычаг ограничения скорости для установки максимальной скорости.

ПРИМЕЧАНИЕ. Рычаг ограничения скорости может также использоваться для ограничения хода пускового курка.

Выключение

Отпустите курок.

ПРИМЕЧАНИЕ. Двигатель работает только в том случае, когда рычаг блокировки и курок зажаты одновременно.

⚠ ПРЕДУПРЕЖДЕНИЕ Во время перерывов в работе и после ее окончания всегда извлекайте аккумулятор из устройства.

ИСПОЛЬЗОВАНИЕ УСТРОЙСТВА

⚠ ПРЕДУПРЕЖДЕНИЕ Одевайтесь надлежащим образом, чтобы снизить риск получения травм при использовании кустореза. Не надевайте свободную одежду и украшения. Используйте средства защиты органов зрения и слуха. Надевайте плотные длинные брюки, прочную обувь и перчатки. Не надевайте шорты, сандалии и не работайте босиком.

Перед началом работы осмотрите рабочую зону и убедитесь в отсутствии людей, животных и посторонних предметов. Убедитесь, что они находятся на расстоянии не менее 15 м. Затем наденьте защитные очки, подходящую одежду, примите устойчивое рабочее положение.

Перед каждым использованием проверяйте устройство на наличие поврежденных и изношенных частей. Проверьте режущую головку, режущий элемент с тремя зубцами, щиток, защитный элемент, рукоятку велосипедного типа и двойной наплечный ремень. Замените все треснувшие, деформированные, изогнутые или поврежденные части. Лезвие для обрезки лески на краю защитного элемента может время от времени затупляться. Рекомендуется периодически затачивать его напильником или заменять новым.

Очищайте кусторез после каждого использования.

ИСПОЛЬЗОВАНИЕ РЕЖУЩЕЙ ГОЛОВКИ

Регулировка длины режущей лески

Режущая головка позволяет оператору вытянуть дополнительное количество лески, не выключая двигатель. Если леска изнасилась во время использования, слегка прижмите фиксатор катушки к земле, чтобы вытянуть дополнительную леску (Рис. V).

ПРИМЕЧАНИЕ. Вытягивание лески становится сложнее по мере ее укорачивания.

⚠ ПРЕДУПРЕЖДЕНИЕ Не демонтируйте и не изменяйте узел лезвия для обрезки лески. Слишком длинная леска может стать причиной перегрева двигателя и серьезных травм.

Замена лески

ПРИМЕЧАНИЕ. Всегда используйте рекомендованную нейлоновую режущую леску диаметром не более 2,4 мм. Использование лески, не отвечающей техническим характеристикам устройства, может привести к перегреву или повреждению кустореза.

⚠ ПРЕДУПРЕЖДЕНИЕ Никогда не используйте усиленную металлом леску, проволоку, веревку и т.д. Части этих материалов могут отделяться и опасно разлетаться в стороны.

1. Извлеките аккумулятор.
2. При необходимости извлеките оставшуюся режущую леску.
3. При необходимости поверните фиксатор катушки в направлении, указанном стрелкой, чтобы совместить метку LOAD (загрузка) на фиксаторе катушки с ушками в основании катушки (Рис. W-1).
4. Отрежьте 5 м лески и вставьте ее в крепежное отверстие внутри ушка (Рис. W-2). Проденьте и вытяните леску с другой стороны таким образом, чтобы с обеих сторон катушки леска была одинаковой длины (Рис. W-3).
5. Прижмите фиксатор катушки и вращайте его в направлении, указанном стрелкой, чтобы намотать леску на катушку, оставив приблизительно по 14 см с каждой стороны (Рис. W-4).
6. Прижмите фиксатор катушки и одновременно вытяните обе лески, чтобы вручную отрегулировать длину и проверить правильность сборки режущей головки.

Если режущая леска выскочила из отверстия или не вытягивается при нажатии на режущую головку, следуйте инструкциям ниже.

1. Извлеките аккумулятор.
2. Нажмите на зажимы на фиксаторе катушки и потяните его, чтобы снять (Рис. H-1 и H-2).
3. Извлеките режущую леску из фиксатора катушки.

4. Одной рукой удерживайте основание катушки, а другой рукой возьмитесь на фиксатор катушки и совместите зажимы на нем с отверстиями в основании катушки (Рис. X-1). Прижмите фиксатор катушки ладонью и поверните его влево и вправо, пока зажимы не зафиксируются на основании катушки (Рис. X-2).
5. Вытяните леску.

ИСПОЛЬЗОВАНИЕ РЕЖУЩЕГО ЭЛЕМЕНТА С ТРЕМЯ ЗУБЦАМИ

⚠ ПРЕДУПРЕЖДЕНИЕ Для резки дикой поросли и кустарника опустите вращающийся режущий элемент с тремя зубцами на растительность для достижения измельчающего эффекта. Используйте кусторез как косу (перемещайте справа налево) на уровне земли. Никогда не поднимайте режущий элемент выше уровня талии.

⚠ ПРЕДУПРЕЖДЕНИЕ Чем выше режущий элемент над землей, тем выше риск получения травмы от отбрасываемых в стороны обрезков.

⚠ ПРЕДУПРЕЖДЕНИЕ При резке молодой растительности или других древесных материалов со стеблем диаметром не более 2 см используйте левую сторону режущего элемента для предотвращения риска отдачи. Не пытайтесь срезать древесные материалы большего диаметра, так как режущий элемент может застрять и отбросить кусторез вперед. Это может привести к повреждению режущего элемента или кустореза, а также к потере контроля над кусторезом и травмам.

⚠ ПРЕДУПРЕЖДЕНИЕ Неправильное использование режущего элемента может привести к его растрескиванию, раскалыванию и повреждению. Отбрасываемые части могут нанести серьезные травмы оператору и посторонним лицам. Чтобы снизить риск получения травм, необходимо принять следующие меры предосторожности.

- Избегайте контакта режущего элемента с твердыми посторонними предметами, такими как камни или фрагменты металла.
- Никогда не режьте растительность с диаметром стебля более 2 см.
- Регулярно проверяйте режущий элемент на предмет повреждений. Не продолжайте работу с поврежденным режущим элементом.
- Регулярно затачивайте режущий элемент (когда он заметно затупляется) и выполняйте его балансировку, если требуется (с помощью квалифицированного специалиста).

Отдача режущего элемента

Проявляйте крайнюю осторожность при использовании режущего элемента с тремя зубцами. Отдача режущего элемента — это реакция, которая может возникнуть при контакте вращающегося режущего элемента с препятствием, которое он не может разрезать. В результате этого контакта режущий элемент на мгновение останавливается и затем внезапно отскакивает от объекта, с которым столкнулся. Эта реакция может быть достаточно сильной, чтобы привести к потере контроля над устройством. Отдача может возникнуть внезапно, если режущий элемент зацепился, застрял или зажался. Отдача наиболее вероятна в таких ситуациях, когда обрабатываемый материал плохо видно. Для легкой и безопасной резки работайте кусторезом справа налево. В случае столкновения с посторонним предметом такая техника позволит минимизировать реакцию отдачи.

ОБСЛУЖИВАНИЕ

⚠ ПРЕДУПРЕЖДЕНИЕ Прежде чем выполнять проверку, очистку или обслуживание устройства, выключите двигатель, дождитесь, пока все движущиеся детали полностью остановятся, а затем извлеките аккумулятор. Несоблюдение данных инструкций может привести к серьезным травмам или материальному ущербу.

⚠ ПРЕДУПРЕЖДЕНИЕ При ремонте используйте только идентичные запасные части. Использование других запасных частей может привести к возникновению опасной ситуации или повреждению устройства. Чтобы обеспечить безопасность и надежность устройства, его ремонт должен выполнять квалифицированный специалист.

ОБЩЕЕ ОБСЛУЖИВАНИЕ

Не используйте растворители для очистки пластиковых частей. Большинство пластиковых частей чувствительны к различным бытовым растворителям и могут быть повреждены. Для очистки от грязи, пыли, масла, смазки и т. п. используйте чистую ткань.

ОЧИСТКА УСТРОЙСТВА

- После каждого использования удаляйте мусор, налипшую почву и траву с режущего элемента, режущей головки и щетки при помощи мягкой щетки.

ПРИМЕЧАНИЕ. Если лезвие для обрезки лески затупилось, заточите его у квалифицированного специалиста или замените на новое лезвие, если требуется.

- После каждого использования кустореза очищайте режущий элемент с помощью влажной ткани и мягкого моющего средства.
- Не используйте активные моющие средства для очистки пластикового корпуса или рукоятки. Они могут быть повреждены определенными ароматическими маслами, такими как хвойное и лимонное масла, а также растворителями, например керосином. Кроме того, наличие влаги может привести к поражению электрическим током. Протрите влажное место мягкой сухой тканью.
- С помощью маленькой щетки или небольшого пылесоса очистите вентиляционные отверстия на задней стороне корпуса.

ХРАНЕНИЕ УСТРОЙСТВА

- Извлеките аккумулятор из устройства.
- Наденьте прочные перчатки и выполните тщательную очистку устройства.
- Для безопасного хранения наденьте чехол на режущий элемент с тремя зубцами (Рис. Y).
- Храните устройство в сухом, хорошо проветриваемом, закрытом или высоком месте, недоступном для детей. Не храните устройство рядом с удобрениями, бензином или другими химическими веществами.

Защита окружающей среды



Не выбрасывайте электрооборудование, зарядные устройства, батарейки и аккумуляторы вместе с бытовыми отходами!

В соответствии с европейским законом 2012/19/EU электрическое и электронное оборудование, которое не подлежит дальнейшей эксплуатации, а также непригодные и использованные батарейки и аккумуляторы (согласно европейскому закону 2006/66/EC) должны быть утилизированы отдельно.

При утилизации электрических устройств на свалках в подземные воды могут просочиться опасные вещества, которые затем попадут в пищевую цепь и приведут к общему ухудшению здоровья и благополучия.

ДЕКЛАРАЦИЯ О СООТВЕТСТВИИ НОРМАМ ЕС



Мы, EGO EUROPE GMBH

Wahlwiesenstrasse 1, D-71711 Steinheim an der Murr Deutschland

Заявляем, что данный **КУСТОРЕЗ С ЛИТИЙ-ИОННЫМ АККУМУЛЯТОРОМ 56 В, ЗАДНИМ РАСПОЛОЖЕНИЕМ ДВИГАТЕЛЯ И РУКОЯТКОЙ ВЕЛОСИПЕДНОГО ТИПА ВС3800E** соответствует основным правилам техники безопасности и производственной санитарии следующих директив:

2006/42/EC, 2014/30/EU, 2011/65/EU, 2000/14/EC

Стандарты и технические требования, относящиеся к: EN ISO 11806-1, EN 60745-1, EN 55014-1, EN 55014-2, IEC 62321.

| | Режущая головка | Металлическое лезвие с тремя зубцами |
|--|-----------------|--------------------------------------|
| Измеренный уровень звукового давления: | 94,80 dB(A) | 94,04 dB(A) |
| Гарантированный уровень звуковой мощности: | 96 dB(A) | 96 dB(A) |

Метод оценки соответствия согласно Приложению VI директивы 2000/14/EC.

Уполномоченный орган: DEKRA Certification B.V.
Meander 1051 / P.O. box 5185 6525 MJ ARNHEM / 6802 ED ARNHEM, Netherlands

Номер уполномоченного органа: 0344

Peter Melrose
Директор EGO Europe GmbH

Dong Jianxun
Руководитель отдела
технического контроля Chervon

* (уполномоченный представитель CHERVON и лицо, ответственное за техническую документацию)

01/09/2017

УСТРАНЕНИЕ НЕИСПРАВНОСТЕЙ

| ПРОБЛЕМА | ПРИЧИНА | РЕШЕНИЕ |
|--------------------|--|--|
| Не запускается. | <ul style="list-style-type: none"> ■ Аккумулятор не установлен в кусторез. ■ Нет электрического контакта между кусторезом и аккумулятором. ■ Аккумулятор разряжен. ■ Рычаг блокировки и курковый переключатель не зажаты одновременно. | <ul style="list-style-type: none"> ■ Установите аккумулятор в приводной блок. ■ Извлеките аккумулятор, проверьте контакты и установите аккумулятор на место до щелчка. ■ Зарядите аккумулятор с помощью зарядного устройства EGO, указанного в данном руководстве. ■ Нажмите на рычаг блокировки и удерживайте его, затем зажмите курковый переключатель, чтобы включить кусторез. |
| Перестал работать. | <ul style="list-style-type: none"> ■ Двигатель перегружен. ■ Используется слишком тяжелая режущая леска. ■ Аккумулятор или кусторез перегрелся. ■ Аккумулятор не подключен к устройству. ■ Аккумулятор разряжен. | <ul style="list-style-type: none"> ■ Двигатель начнет работать снова, как только нагрузка уменьшится. При длительной работе снизьте нагрузку на приводной блок. ■ Используйте стандартную нейлоновую режущую леску диаметром не более 2,4 мм. ■ Дайте аккумулятору или приводному блоку остыть, пока его температура не упадет ниже 67°C. ■ Установите аккумулятор. ■ Зарядите аккумулятор с помощью зарядного устройства EGO, указанного в данном руководстве. |

RU

| ПРОБЛЕМА | ПРИЧИНА | РЕШЕНИЕ |
|--|--|---|
| Из режущей головки не вытягивается леска (только при использовании режущей головки). | <ul style="list-style-type: none"> ■ Вал двигателя и режущая головка забились травой. ■ Недостаточно лески в катушке. ■ Режущая головка загрязнена. ■ Леска запуталась в катушке. ■ Леска слишком короткая. | <ul style="list-style-type: none"> ■ Выключите устройство, извлеките аккумулятор и удалите траву из вала двигателя и режущей головки. ■ Извлеките аккумулятор и замените режущую леску в соответствии с инструкциями в разделе «ЗАМЕНА ЛЕСКИ» данного руководства. ■ Извлеките аккумулятор, очистите катушку, ее фиксатор и основание. ■ Извлеките аккумулятор, снимите леску с катушки и намотайте ее заново в соответствии с инструкциями в разделе «ЗАМЕНА ЛЕСКИ» данного руководства. ■ Извлеките аккумулятор и вытяните леску, нажимая на фиксатор катушки. |

RU

ГАРАНТИЯ

ГАРАНТИЙНАЯ ПОЛИТИКА EGO

Посетите веб-сайт egopowerplus.com, чтобы ознакомиться со всеми условиями и сроками гарантийной политики EGO.

PRZECZYTAJ WSZYSTKIE INSTRUKCJE!



PRZECZYTAJ INSTRUKCJĘ OPERATORA

⚠ Ryzyko szczątkowe! Osoby z urządzeniami elektronicznymi, takimi jak rozruszniki serca, powinny przed użyciem produktu skonsultować się ze swoim(i) lekarzem/-ami. Używanie urządzeń elektrycznych blisko rozrusznika serca może spowodować zakłócenia lub uszkodzić rozrusznik.

⚠ OSTRZEŻENIE: Aby zagwarantować bezpieczeństwo i niezawodność, wszystkie naprawy i wymiany części powinny być wykonywane przez wykwalifikowanych techników serwisu.

SYMBOLE BEZPIECZEŃSTWA

Celem symboli bezpieczeństwa jest zwrócenie uwagi użytkownika na możliwe zagrożenia. Symbole bezpieczeństwa i objaśnienia do nich zasługują na to, by je uważnie przestudiować i zrozumieć. Symbole bezpieczeństwa nie eliminują same z siebie jakichkolwiek zagrożeń. Podawane w nich instrukcje i ostrzeżenia nie zastępują odpowiednich środków zapobiegania wypadkom.

⚠ OSTRZEŻENIE: Przed użyciem narzędzia należy koniecznie przeczytać ze zrozumieniem wszystkie instrukcje dotyczące bezpieczeństwa podane w podręczniku użytkownika, łącznie z wszystkimi symbolami ostrzegawczymi takimi jak „**NIEBEZPIECZEŃSTWO**”, „**OSTRZEŻENIE**” i „**UWAGA**”. Niestosowanie się do wszystkich podanych niżej instrukcji może doprowadzić do porażenia prądem, pożaru i/lub poważnych obrażeń.

ZNACZENIE SYMBOLI

⚠ SYMBOL OSTRZEGAWCZY: Oznacza **NIEBEZPIECZEŃSTWO**, **OSTRZEŻENIE** lub **UWAGĘ**, może być używany razem z innymi symbolami lub piktogramami.



⚠ OSTRZEŻENIE: Praca elektronarzędziami może spowodować wyrzucenie ciał obcych w oczy użytkownika, co może doprowadzić do poważnych urazów oczu. Przed rozpoczęciem pracy elektronarzędziem należy zawsze założyć gogle ochronne lub okulary z osłonami bocznymi, a w stosownych przypadkach także pełną osłonę na twarz. Zalecamy nakładanie na zwykłe okulary maski zabezpieczającej o szerokim polu widzenia lub stosowanie standardowych okularów zabezpieczających z osłonami bocznymi.


INSTRUKCJE DOTYCZĄCE BEZPIECZEŃSTWA

Na tej stronie pokazano i opisano symbole bezpieczeństwa, które mogą występować na produkcie. Przed podjęciem próby złożenia i użycia urządzenia należy przeczytać i zrozumieć wszystkie instrukcje dotyczące urządzenia oraz zastosować się do nich.

| | | |
|--|--------------------------------------|---|
| | Ostrzeżenie dotyczące bezpieczeństwa | Wskazuje na potencjalne ryzyko urazów ciała. |
| | Przeczytaj instrukcję operatora | Aby zmniejszyć ryzyko urazów, użytkownik musi przeczytać i zrozumieć instrukcję przed rozpoczęciem korzystania z produktu. |
| | Noś okulary ochronne | Podczas używania produktu należy zawsze nosić gogle ochronne lub okulary ochronne z osłonami bocznymi, a także pełną osłonę na twarz. |
| | Noś ochronniki słuchu | W celu ochrony słuchu należy zawsze nosić ochronniki słuchu (zatyczki do uszu lub nauszники). |
| | Noś kask ochronny | Aby chronić głowę, należy nosić atestowany kask ochronny. |
| | Noś rękawice ochronne | Na czas prac przy ostrzu i osłonie ostrza należy zabezpieczyć ręce rękawicami. Wytrzymałe rękawice antypoślizgowe poprawiają uchwyt i chronią dłoń. |

PL

| | | |
|---|--|--|
|  | Noś obuwie ochronne | Podczas używania urządzenia należy nosić obuwie ochronne z podeszwami antypoślizgowymi. |
|  | Uwaga na możliwość odbicia ostrza | Prosimy ostrzec operatora o ryzyku związanym z odbiciem ostrza. |
|  | Uwaga rykoszet oraz Osoby postronne trzymaj z daleka | Przedmioty wyrzucone w powietrze mogą odbić się rykoszetem i doprowadzić do urazów lub strat materialnych. Należy zawsze pilnować, aby inni ludzie oraz zwierzęta domowe pozostawali w z dala od pracującej kosi do zarośli. |
|  | Osoby postronne trzymaj z daleka | Należy zawsze pilnować, aby inni ludzie i zwierzęta domowe pozostawali w odległości co najmniej 15 m od pracującej podkaszarki. |
|  | Ne zakładaj okrągłej tarczy tnącej | Nie należy montować okrągłych tarcz tnących. |
|  | Chronić przed deszczem | Nie używać w deszczu i nie zostawiać na dworze podczas deszczu. |
|  | CE | Ten produkt jest zgodny z obowiązującymi dyrektywami WE. |
|  | WEEE | Zużytych urządzeń elektrycznych nie należy wyrzucać razem ze zwykłymi odpadami domowymi. Należy je oddać do autoryzowanego punktu recyklingu. |
|  | Hałas | Gwarantowany poziom mocy akustycznej. Emisja hałasu do środowiska zgodnie z dyrektywą Wspólnoty Europejskiej. |

| | | |
|---|-------------------------|----------------------------------|
| V | Wolt | Napięcie |
|  | Prąd stały | Rodzaj lub charakterystyka prądu |
| n_0 | Prędkość bez obciążenia | Prędkość obrotowa bez obciążenia |
| ... /min | Na minutę | Obroty na minutę |

WAŻNE INSTRUKCJE DOTYCZĄCE BEZPIECZEŃSTWA

⚠ OSTRZEŻENIE! Podczas używania tego urządzenia, aby zmniejszyć ryzyko pożaru, porażenia prądem i obrażeń, należy zawsze przestrzegać podstawowych zasad bezpieczeństwa, w tym m.in. zaleceń podanych poniżej.

PRZECZYTAJ UWAŻNIE PRZED UŻYCIEM ZACHOWAJ NA PRZYSZŁOŚĆ

⚠ NIEBEZPIECZEŃSTWO! W odniesieniu do ochrony przed porażeniem prądem nie należy polegać tylko i wyłącznie na izolacji narzędzia. Aby ograniczyć ryzyko porażenia prądem, nigdy nie należy używać narzędzia w pobliżu jakichkolwiek przewodów lub kabli (zasilanie, itp.), które mogą być pod napięciem.

⚠ UWAGA! Podczas użytkowania należy nosić odpowiednie indywidualne środki ochrony słuchu. W niektórych sytuacjach i przy długotrwałym użytkowaniu hałas generowany przez narzędzie może przyczynić się do utraty słuchu.

SZKOLENIE

- Prosimy uważnie przeczytać instrukcję. Należy zapoznać się z elementami sterującymi i metodami poprawnej obsługi urządzenia.
- Nigdy nie należy pozwalać używać urządzenia osobom nieobeznanim z niniejszą instrukcją lub dzieciom. Przepisy lokalne mogą nakładać ograniczenia dotyczące wieku operatora.
- Należy pamiętać, że operator lub użytkownik ponosi odpowiedzialność za wypadki lub zagrożenia dotyczące osób trzecich lub ich własności.

PRZYGOTOWANIE

- Tego urządzenia nie należy nigdy używać, gdy w pobliżu znajdują się ludzie (zwłaszcza dzieci) lub zwierzęta domowe.
- W czasie używania tego urządzenia należy zawsze nosić okulary ochronne i solidne buty.
- Odległość między maszyną a osobami postronnymi musi wynosić co najmniej 15 metrów.

UŻYTKOWANIE

- Kosy do zarośli należy używać wyłącznie przy świetle dziennym lub przy dobrym oświetleniu sztucznym.
- Kosy do zarośli nie należy nigdy używać z uszkodzonymi osłonami lub bez założonych osłon.
- Silnik wolno włączyć dopiero wtedy, gdy ręce i stopy znajdują się z dala od urządzenia tnącego.
- W następujących sytuacjach kosę do zarośli należy zawsze odłączyć od zasilania (tj. wyjąć akumulator):
 - za każdym razem, gdy kosa do zarośli zostaje pozostawiona bez nadzoru;
 - przed odblokowaniem zablokowanego mechanizmu;
 - przed kontrolą, czyszczeniem lub wykonywaniem prac przy kosie do zarośli;
 - po uderzeniu w dowolny przedmiot;
 - za każdym razem, gdy kosa do zarośli zacznie w sposób nietypowy drgać.
- Należy uważać na ryzyko skaleczenia stóp i rąk elementem tnącym.
- Otwory wentylacyjne muszą być zawsze drożne.

KONSERWACJA I PRZECHOWYWANIE

- Przed przystąpieniem do czyszczenia lub prac konserwacyjnych kosę do zarośli należy zawsze odłączyć od zasilania (tj. wyjąć akumulator).
- Należy używać wyłącznie części zamiennych i akcesoriów zalecanych przez producenta.
- Kosę do zarośli należy regularnie kontrolować i konserwować. Naprawy urządzenia powinny być wykonywane wyłącznie przez serwisanta z odpowiednimi uprawnieniami.
- Gdy kosa do zarośli nie jest używana, należy ją przechowywać w miejscu niedostępnym dla dzieci.

INNE OSTRZEŻENIA DOTYCZĄCE BEZPIECZEŃSTWA

- **Dzieci muszą pozostawać z daleka** – Wszystkie osoby postronne muszą znajdować się co najmniej 33 m (100 ft) od miejsca pracy.
- **Należy unikać pracy w niebezpiecznych warunkach** – Nie używać urządzeń na podmokłych lub wilgotnych pochyłościach.
- **Gdy kosa do zarośli zostaje pozostawiona bez nadzoru, należy ją zawsze wyłączać lub wyjmować z niej akumulator.**
- **Nie używać podczas deszczu.**
- **Należy dbać o właściwy ubiór** – Nie należy nosić luźnych ubrań, biżuterii, krótkich spodni i sandałów, nie należy też używać narzędzia na boso. Mogłyby one zahaczyć o poruszające się części. Należy zawsze nosić mocne długie spodnie oraz koszulę/bluzkę z długim rękawem. Do pracy na dworze zaleca się zakładanie gumowych rękawic i solidnego obuwia. Aby zabezpieczyć włosy powyżej ramion, długie włosy należy nosić pod okryciem głowy.
- **Należy nosić okulary ochronne** – Jeśli występuje zapalenie, należy zawsze nosić maskę przeciwpyłową lub maskę na twarz.
- **Należy używać właściwego narzędzia** – Nie używać narzędzia do celów, do których nie jest ono przeznaczone.
- **Kosy do zarośli nie wolno forsować** – Narzędzie pracujące z prędkością, do której zostało zaprojektowane, wykona pracę lepiej i z mniejszym ryzykiem obrażeń.
- **Nie należy sięgać za daleko** – Zawsze należy dbać o utrzymanie równowagi i pewne podparcie nóg.
- **Należy zachować czujność** – Należy patrzeć na to, co się robi i kierować się zdrowym rozsądkiem. Nie wolno używać kosy do zarośli, kiedy użytkownik jest zmęczony.
- **Nie używać kosy do zarośli, gdy jest się pod wpływem alkoholu lub narkotyków.**
- **Oslony zabezpieczające muszą być zawsze założone i sprawne.**
- **Ręce i stopy należy trzymać z dala od strefy koszenia.**
- **Kosę do zarośli należy przechowywać w zamkniętym pomieszczeniu** – Na czas, gdy kosa do zarośli nie jest używana, należy ją przechowywać w suchym pomieszczeniu, pod zamknięciem lub na wysokiej półce, z wyjętym akumulatorem – w miejscu niedostępnym dla dzieci.

- **O kosę do zarośli należy starannie dbać** – Aby uzyskać maksymalną wydajność i zapobiec ryzyku powstania urazów, element tnący musi być czysty. Należy przestrzegać instrukcji dotyczących wymiany akcesoriów. Należy dbać o to, aby uchwyty był suche, czyste i niezaplamięte olejem lub smarem.
- **Uszkodzone części należy skontrolować** – Przed ponownym użyciem uszkodzonej kosi do zarośli, osłony lub części, należy dokładnie sprawdzić, czy narzędzie lub element będą działały właściwie i zgodnie z przeznaczeniem. Należy kontrolować, czy części ruchome są dobrze do siebie dopasowane, czy swobodnie się poruszają, czy nie są pęknięte lub uszkodzone i czy są właściwie zamontowane. Należy też kontrolować wszystkie inne czynniki, które mogłyby wpływać na ich działanie. O ile w instrukcji nie zastrzeżono inaczej, uszkodzona osłona lub inna część musi zostać odpowiednio naprawiona lub wymieniona przez autoryzowane centrum serwisowe.
- **Należy upewnić się, że wszystkie elementy mocujące są na miejscu i są dokręcone/zablokowane.** Osłona elementu tnącego musi być prawidłowo zamocowana w pozycji zalecanej przez producenta.
- **Przed każdym użyciem narzędzia należy uprzętnąć teren pracy.** Należy usunąć wszystkie przedmioty takie jak kamienie, potłuczone szkło, gwoździe, kawałki drutu lub sznurka itp., które mogą zostać wyrzucone w powietrze lub mogą zaplątać się w końcówkę tnącą. Z terenu, który ma zostać skoszony należy wyprosić dzieci i osoby postronne oraz wygonić zwierzęta. Jako minimum dzieci i osoby postronne oraz zwierzęta muszą znajdować się w odległości 15 m (50 ft), jednak nawet w odległości ponad 15 m (50 ft) istnieje ryzyko urazów spowodowanych trafieniami wyrzucenymi w powietrze przedmiotami. Osoby postronne należy zachęcać do noszenia okularów ochronnych.
- **Przed rozpoczęciem pracy kosą do zarośli oraz po każdym uderzeniu w przeszkodę, kosę należy sprawdzić pod kątem oznak uszkodzeń, a w razie potrzeby naprawić.**
- **W czasie pracy kosą do zarośli należy zawsze mocno trzymać obiema rękoma za uchwyty. Palce i kciuki należy zaciskać na uchwytach.**
- **Należy unikać przypadkowego włączenia** – Kosy do zarośli nie należy nosić z palcem na przełączniku wł./wyl.
- **Kosy do zarośli nie należy używać w strefach zagrożenia wybuchem lub w miejscach, w których występują łatwopalne gazy.** Silniki w tego typu urządzeniach zazwyczaj generują iskry, od których mogą się zapalić opary.
- **Uszkodzenie kosi do zarośli** – Jeśli kosa uderzy w jakąś przeszkodę lub o coś zaczepi, należy natychmiast wyłączyć narzędzie, wyjąć z niego akumulator, sprawdzić, czy nie ma uszkodzeń, a jeśli są, wówczas naprawić je przed podjęciem próby dalszego użytkowania. Nie należy używać narzędzia z uszkodzoną osłoną lub końcówką tnącą.
- **Jeśli kosa do zarośli zacznie nienormalnie wibrować, należy wyłączyć silnik, wyjąć z urządzenia akumulator i natychmiast sprawdzić, co jest przyczyną.** Wibracje są na ogół sygnałem ostrzegającym o problemach. Poluzowana końcówka tnąca może wibrować, pęknąć, rozlecieć się lub odpaść od kosi do zarośli, co może doprowadzić do poważnych lub śmiertelnych obrażeń. Należy upewnić się, że końcówka tnąca jest poprawnie zamocowana i pewnie dokręcona. Jeżeli po zamocowaniu końcówka tnąca obluzuje się, należy ją natychmiast wymienić. Kosy do zarośli nie należy nigdy używać z poluzowaną końcówką tnącą.
- **Pękniętą, uszkodzoną lub zużytą końcówkę tnącą należy natychmiast wymienić, nawet jeśli uszkodzenie polega tylko na spękaniu powierzchni elementu.** Tego typu końcówki mogą rozpaść się przy dużej prędkości i spowodować poważne obrażenia lub śmierć.
- **Aby ograniczyć ryzyko urazów, nigdy nie należy pracować na drabinie lub innych niebezpiecznych podporach.** Końcówki tnącej nie wolno nigdy trzymać powyżej poziomu pasa.
- **Nigdy nie należy używać zamiast żyłki nylonowej.** Kawałki drutu mogą odłamać się i zostać wyrzucone z dużą prędkością w stronę operatora lub osób postronnych.
- **Należy zawsze dbać o pewne podparcie nóg i zachowanie równowagi.** Nie należy sięgać za daleko. Końcówkę tnącą należy trzymać poniżej poziomu pasa. Wszystkie części ciała należy trzymać z dala od obracającej się końcówki tnącej.
- **W czasie użytkowania końcówkę tnącą należy sprawdzać w regularnych odstępach czasu.** W przypadku zauważalnej zmiany w sposobie koszenia kontrolę należy przeprowadzić natychmiast.
- **W tym narzędziu należy używać wyłącznie polimerowych żyłek do podkaszarek i akcesoriów tnących dopuszczonych do użytkowania przez markę EGO.** Niektóre akcesoria nie dopuszczone do użytkowania przez producenta mogą być bardzo niebezpieczne i/lub mogą doprowadzić do uszkodzenia narzędzia.

- Jeśli do użytkownika zbliży się jakaś osoba, należy wyłączyć silnik i zatrzymać końcówkę tnącą.
- Prosimy ostrzec operatora o ryzyku związanym z odbiciem ostrza (dotyczy tylko przypadku używania narzędzia z ostrzem z 3 zębami).
 - Gdy kręcące się ostrze dotknie przedmiotu, który nie poddaje się natychmiastowemu przecięciu, może pojawić się siła odbicia ostrza.
 - Siła odbicia ostrza może być na tyle gwałtowna, że może spowodować odepchnięcie maszyny i/lub operatora w dowolną stronę, z możliwością utraty kontroli nad narzędziem.
 - Jeśli ostrze zaczepi się o coś, zablokuje się lub zaklinuje, do odbicia może dojść bez jakiegokolwiek ostrzeżenia.
 - Odbicie ostrza zdarza się częściej w miejscach, w których trudno jest zobaczyć koszony materiał.
- Nie należy zakładać żadnego ostrza do urządzenia bez prawidłowego zainstalowania wszystkich wymaganych części. Bez użycia odpowiednich części mogłyby dojść do wyrzucenia ostrza w powietrze i do poważnych urazów operatora lub osób postronnych. Ostrza, które ulegną skrzywieniu, skręceniu, pęknięciu, nadłamaniu lub innemu uszkodzeniu należy zawsze wyrzucić. Używane ostrze musi być ostre. Tępe ostrze łatwiej klinuje się i ulega odbiciu (dotyczy tylko przypadku używania narzędzia z ostrzem z 3 zębami).
- Akumulator należy zutilizować w sposób bezpieczny.
- Ostrze/żyłka tnąca obracające/-a się na luzie po wyłączeniu silnika lub puszczeniu spustu może spowodować urazy. Do momentu całkowitego zatrzymania się ostrza tnącego/żyłki należy pilnować narzędzia.
- Akumulatora nie należy ładować na deszczu i w miejscach wilgotnych.
- Do urządzenia należy używać wyłącznie ładowarek i akumulatorów marki EGO wymienionych poniżej:

| AKUMULATOR | ŁADOWARKA |
|--|--------------------|
| BA1120E, BA1400, BA2240E, BA2800, BA3360, BA4200, BAX1300 | CH2100E CH5500E |

- Przed użyciem akumulator należy wyjąć z urządzenia.
- Akumulatorów nie należy wrzucać do ognia. Ognia mogą wybuchnąć. Należy zapoznać się z przepisami lokalnymi pod kątem ewentualnych instrukcji w sprawie ich utylizacji.

- Akumulatora nie należy otwierać ani uszkadzać. Uwolniony elektrolit jest żrący i może uszkodzić oczy i skórę. W przypadku połknięcia może być toksyczny.
- Z akumulatorami należy obchodzić się ostrożnie. Należy uważać, aby nie zewrzeć wyprowadzeń materiałami przewodzącymi takimi jak pierścionki, bransoletki i klucze. Akumulator lub przewodnik mogą się przegrzać i spowodować oparzenia.
- Części zamienne – Podczas serwisowania należy używać wyłącznie części zamiennych EGO identycznych z oryginalnymi. Użycie jakichkolwiek innych akcesoriów lub elementów dodatkowych zwiększa ryzyko urazów.
- Narzędzia akumulatorowe nie wymagają podłączenia do kontaktu elektrycznego i dlatego są zawsze gotowe do pracy. Należy więc mieć świadomość możliwych zagrożeń, występujących nawet wtedy, gdy narzędzie nie jest używane. Podczas wykonywania czynności konserwacyjnych lub serwisowych należy zachować ostrożność.
- Przed serwisowaniem, konserwacją, czyszczeniem lub usuwaniem materiału zakleszczonego w kosie do zarośli należy wyjąć lub odłączyć akumulator.
- Nie należy czyścić urządzenia wężem; należy unikać zachlapywania wodą silnika i połączeń elektrycznych.
- W sytuacjach, które nie zostały przewidziane w niniejszej instrukcji należy zachować ostrożność i kierować się własnym zdrowym rozsądkiem. W celu uzyskania pomocy prosimy skontaktować się z centrum obsługi klienta EGO.

INSTRUKCJI NIE NALEŻY WYRZUCAĆ!

PL

SPECYFIKACJA

| | | |
|--|------------------------------|---|
| Element tnący | Głowica tnąca | Ostrze metalowe z 3 zębami |
| Napięcie | 56 V | 56 V |
| Prędkość bez obciążenia | 4500-6000 /min | 4500-6000 /min |
| Typ żyłki do koszenia | Żyłka nylonowa 2,4 mm | / |
| Ostrze tnące | / | ABB1203 |
| Szerokość koszenia | 38 cm | 30 cm |
| Ciężar (bez akumulatora) | 4,35 kg | 4,64 kg |
| Zmierzony poziom mocy akustycznej L_{WA} | 94,80 dB(A); K=1,01 dB(A) | 94,04 dB(A); K=1,71 dB(A) |
| Poziom ciśnienia akustycznego w pozycji operatora L_{PA} | 80,2 dB(A); K=2,5 dB(A) | 80,0 dB(A); K=4,1 dB(A) |
| Gwarantowany poziom mocy akustycznej L_{WA} (zmierzony zgodnie z dyrektywą 2000/14/WE) | 96 dB(A) | 96 dB(A) |
| Szacunkowe drgania a_h | Uchwyt lewy | 2,28 m/s ² ; K=1,5 m/s ² |
| | Uchwyt prawy | 2,38 m/s ² ; K=1,5 m/s ² |
| | | 1,55 m/s ² ; K=1,5 m/s ² |
| | | 1,88 m/s ² ; K=1,5 m/s ² |

- Deklarowana całkowita wartość drgań została zmierzona zgodnie ze standardowymi metodami testowania i może służyć do porównywania różnych narzędzi.
- Deklarowana całkowita wartość drgań może również służyć do wstępnej oceny narażenia na drgania.

UWAGA: W zależności od sposobu eksploatacji, emisja vibracji podczas faktycznego użytkowania elektronarzędzia może się różnić od wartości deklarowanej. Aby chronić operatora, w rzeczywistych warunkach użytkowania użytkownik powinien nosić rękawice i nauszники ochronne.

LISTA ELEMENTÓW W OPAKOWANIU

| NAZWA CZĘŚCI | ILOŚĆ |
|----------------------------|-------|
| Kosa do zarośli | 1 |
| Ostrze z 3 zębami z osłoną | 1 |
| Oslona (zespól) | 1 |
| Nakrętka | 1 |
| Kolnierz zewnętrzny | 1 |
| Klucz imbusowy | 1 |
| Klucz wielofunkcyjny | 1 |
| Podwójny pasek na ramiona | 1 |
| Instrukcja operatora | 1 |

OPIS

POZNAJ SWOJĄ KOŚĘ DO ZAROŚLI (Rys. A)

1. Dźwignia ograniczenia prędkości
2. Dźwignia odblokowująca
3. Śruba motylkowa
4. Przycisk spustowy
5. Kierownica rowerowa
6. Trzonek
7. Żyłka tnąca
8. Oslona (zespól)
9. Głowica tnąca
10. Śruba uszczelniająca
11. Otwór do blokowania wałka
12. Oslona
13. Klucz wielofunkcyjny
14. Klucz imbusowy
15. Ostrze z 3 zębami
16. Kolnierz zewnętrzny
17. Nakrętka
18. Przycisk puszczenia
19. Gumowa nakładka zabezpieczająca
20. Zatrask
21. Styki elektryczne
22. Mechanizm odłączania
23. Sprzączka paska
24. Podkładka biodrowa

⚠ OSTRZEŻENIE: Nigdy nie należy włączać narzędzia bez mocno założonej osłony. Aby chronić użytkownika, osłona musi być zawsze założona na narzędzie!

⚠ OSTRZEŻENIE: Jeśli narzędzie jest wyposażone w głowicę tnącą, na osłonie należy zamontować osprzęt osłony – ostrze do przycinania żyłki. Nieprzestrzeganie tego zalecenia może skutkować nadmierną długością żyłki tnącej i spowoduje przeciążenie silnika. Nigdy nie należy używać głowicy tnącej bez założonego osprzętu osłony.

MONTAŻ

⚠ OSTRZEŻENIE: W przypadku braku lub uszkodzenia którejś z części, kosi do zarośli nie należy uruchamiać aż do momentu wymiany lub naprawy części. Używanie kosi do zarośli z uszkodzonymi lub brakującymi częściami może doprowadzić do poważnych urazów ciała.

⚠ OSTRZEŻENIE: Kosi do zarośli nie należy próbować przerabiać, nie należy też tworzyć akcesoriów, które nie są zalecane do używania w urządzeniu. Wszelkie tego typu zmiany lub modyfikacje są niedozwolone i mogą prowadzić do niebezpiecznych sytuacji oraz poważnych urazów ciała.

⚠ OSTRZEŻENIE: Na czas mocowania lub zdejmowania ostrza z 3 zębami/ostrza do przycinania żyłki oraz podczas wykonywania przy ostrzu czynności konserwacyjnych należy zawsze zakładać solidne rękawice. Aby chronić dłonie przed skażeniem, należy uważać na ostrze do przycinania żyłki (na osłonie)/ostrze z 3 zębami.

⚠ OSTRZEŻENIE: Aby zapobiec przypadkowemu włączeniu, które mogłoby spowodować urazy ciała, na czas mocowania części oraz podczas transportu narzędzia z narzędzia należy zawsze wyjmować akumulator.

⚠ OSTRZEŻENIE: Nigdy nie należy włączać narzędzia bez mocno założonej kierownicy rowerowej i osłony. Nieprzestrzeganie tego zalecenia może doprowadzić do poważnych obrażeń ciała.

MOCOWANIE I REGULACJA KIEROWNICY

Kosę do zarośli przechowuje się tak, jak pokazano na rys. B. Najpierw należy poluzować śrubę motylkową na połączeniu, a potem podnieść i obrócić kierownicę o 180° wokół trzonka (Rys. C) i przekrócić o 90° w lewo (przeciwnie do kierunku ruchu wskazówek zegara), tak aby była skierowana na głowicę-uderzak (Rys. D). Na koniec należy ją poruszyć w tył i w przód, tak aby uzyskać wygodną pozycję roboczą i wreszcie dokręcić śrubę.

UWAGA: Narzędziem wolno pracować tylko z kierownicą ustawioną prostopadle do trzonka.

MONTAŻ OSŁONY

Odkręcić i wyjąć dwie śruby z trzonka podstawy (Rys. E), wyrównać otwory mocujące osłony względem otworów montażowych i dwiema śrubami z dwiema podkładkami sprężynującymi zablokować osłonę na podstawie trzonka (Rys. F).

Upewnić się, że osłona jest zamocowana zgodnie z Rys. E i F, jakiegokolwiek rodzaju montaż odwrotną stroną stanowi poważne zagrożenie!

WYMIANA GŁOWICY TNĄCEJ NA OSTRZE Z 3 ZĘBAMI

Aby zdemontować głowicę tnącą (Rys. G), należy zapoznać się z rys. H-1 - rys. H-4 i wykonać pokazane na nich kroki (patrz część „Wymiana żyłki”). Aby zamocować ostrze, należy wykonać następujące kroki:

1. Zamocować ostrze metalowe (Rys. I).
2. Zdemontować osprzęt osłony – dokręcić trzy śruby z podkładkami (Rys. J).
3. Ostrze jest dostarczane w osłonie. Przed zamontowaniem ostrza w kosie do zarośli należy zdjąć osłonę – zdjąć drut zaciskowy z haka na osłonie (Rys. K).

Rys. G-K – Opis części patrz poniżej:

| | | | |
|-----|-----------------------|-----|------------------------|
| G-1 | Kolnierz wewnętrzny | I-3 | Pokrywa kolnierza |
| G-2 | Pokrywa kolnierza | I-4 | Ostrze z 3 zębami |
| G-3 | Montaż górnej obudowy | I-5 | Kolnierz zewnętrzny |
| G-4 | Podkładka | I-6 | Nakrętka |
| G-5 | Nakrętka | I-7 | Szczelina w kolnierzu |
| G-6 | Sprężyna | J-1 | Ostrze do cięcia żyłki |
| G-7 | Żyłka tnąca | J-2 | Oslona |
| G-8 | Montaż dolnej obudowy | K-1 | Drut zaciskowy |
| I-1 | Wałek silnika | K-2 | Hak |
| I-2 | Kolnierz wewnętrzny | | |

UWAGA: Aby nie dopuścić do urazów, przed rozpoczęciem pracy przy ostrzu z 3 zębami należy założyć rękawice.

4. Obrócić kolnierz zewnętrzny tak, aby otwór w kolnierzu wewnętrznym dopasować do otworu do blokowania wałka w obudowie przekładni (Rys. F).

5. Przełożyć klucz imbusowy przez obydwa otwory – klucz będzie pełnił rolę stabilizatora (Rys. M).

Rys. L i M – Opis części patrz poniżej:

| | | | |
|-----|---|-----|---------------|
| L-1 | Obudowa przekładni | L-3 | Wałek silnika |
| L-2 | Dopasowane do siebie otwory do blokowania wałka | M-1 | Stabilizator |

6. Zamocować ostrze na wałku silnika, dopilnować, aby powierzchnia ostrza znalazła się na jednej wysokości z powierzchnią wybrzuszenia kołnierza wewnętrzznego. Założyć kołnierz zewnętrzny i nakrętkę (Rys. N). Wstępnie dokręcić nakrętkę ręką W LEWO (PRZECIWNIE DO KIERUNKU RUCHU WSKAZÓWEK ZEGARA).

Rys. N – Opis części patrz poniżej:

| | |
|-----|---------------------|
| N-1 | Nakrętka |
| N-2 | Kołnierz zewnętrzny |
| N-3 | Ostrze z 3 zębami |

7. Położyć i oprzeć obudowę przekładni na solidnej powierzchni. Jedną ręką przytrzymać trzonek kosi do zarośli, a drugą chwycić klucz wielofunkcyjny i dokręcić nim nakrętkę w kierunku zaznaczonym strzałką na kołnierzu zewnętrznym (Rys. O).

PL

UŻYWANIE OSPRZĘTU OSŁONY

UWAGA: Jeśli kosa do zarośli jest wyposażona w głowicę tnącą, na osłonie należy zamontować osprzęt osłony – ostrze do przycinania żyłki.

W celu zamocowania osprzętu osłony na osłonie należy dokręcić trzy śruby dostarczonym kluczem imbusowym, ponieważ na osprzęcie osłony znajduje się ostrze do przycinania żyłki. Nieprzestrzeganie tego zalecenia może skutkować nadmierną długością żyłki tnącej i przeciążeniem silnika.

UŻYTKOWANIE

⚠ OSTRZEŻENIE: Nie wolno dopuścić do tego, aby znajomość narzędzia doprowadziła do nieuwagi. Należy pamiętać, że do spowodowania poważnych obrażeń wystarczy zaledwie chwila nieuwagi.

⚠ OSTRZEŻENIE: Należy zawsze nosić środki ochrony oczu i uszu. Nieprzestrzeganie tego zalecenia może doprowadzić do poważnych obrażeń oczu odłamkiem lub skrawkiem materiału wyrzuconym przez pracujące narzędzie, a także grozi innymi możliwymi urazami.

⚠ OSTRZEŻENIE: Nie należy używać końcówek lub akcesoriów innych niż zalecane przez producenta produktu. Używanie końcówek lub akcesoriów innych niż zalecane może doprowadzić do poważnych obrażeń.

ZASTOSOWANIA

Kosi do zarośli można używać do celów podanych poniżej:

- **Z założonym metalowym ostrzem z 3 zębami:** Koszenie trawy, chwastów, zarośli i chaszcy, przeredzenie młodych kęp pędów o maksymalnej średnicy pnia 2 cm.
- **Z założoną głowicą tnącą:** Przycinanie trawy i chwastów przy gankach, płotach i podestach.

UWAGA: Narzędzia należy używać tylko do celów zgodnych z przeznaczeniem. Wszelkie inne zastosowania uznaje się za niezgodne z przeznaczeniem.

ZAKŁADANIE/WYJMOWANIE AKUMULATORA

Naładować przed pierwszym użyciem.

Zakładanie

Należy dopasować zeberko akumulatora do szczeliny mocujących i wsunąć akumulator do ładowarki aż da się słyszeć kliknięcie (Rys. P).

Wyjmowanie

Należy wcisnąć przycisk wyjmowania akumulatora i wysunąć akumulator (Rys. Q).

Rys. P – Opis części patrz poniżej:

| | |
|-----|--------------------|
| P-1 | Szczelina mocująca |
| P-2 | Zeberko |

ZAKŁADANIE PODWÓJNEGO PASKA NA RAMIONA I MOCOWANIE NARZĘDZIA

Podwójny pasek należy założyć na ramiona, a klamrę paska zapiąć (włożyć w siebie obie części klamry) tak, aby słycać było wyraźne kliknięcie (Rys. R-1). Zaczep podkładki biodrowej należy włożyć w otwór i zawiesić na zacisku zamocowanym na trzonku; delikatnie wcisnąć trzonek w dół (Rys. R-2, R-3 i R-4).

Przytrzymać oburącz kosę po swojej prawej stronie (Rys. S). Głowica tnąca lub ostrze powinna być ustawiona równolegle do ziemi i w odpowiedniej do cięcia odległości, tak aby operator nie musiał się nachylać.

Odpięcie kosi do zarośli można przeprowadzić dwójako. Można rozpiąć sprzączkę paska (Rys. T) lub można nacisnąć zaczep na pasku i zdjąć go z mocowania na trzonku (Rys. R-2).

⚠ OSTRZEŻENIE: W nagłych wypadkach, narzędzie należy natychmiast zdjąć z ramienia, niezależnie od tego jak zamocowany jest pasek. Rozpięcie sprzączki paska (Rys. T) i oburęczne zdjęcie z ramion jest metodą szybkiego zdejmowania.

⚠ OSTRZEŻENIE: Nie należy używać jednocześnie paska na jedno ramię i na dwa ramiona.

WŁĄCZANIE/WYŁĄCZANIE KOSY DO ZAROŚLI

Włączanie

Należy wcisnąć i przytrzymać dźwignię odblokowującą. Aby rozpocząć pracę, nacisnąć spust (Rys. U).

Zmiana siły nacisku na spust powoduje zmianę prędkości obrotowej końcówki tnącej. W razie potrzeby, można wyregulować dźwignię ograniczenia prędkości, aby ustawić prędkość maksymalną.

UWAGA: Dźwignię ograniczenia prędkości można również ustawić w taki sposób, aby ograniczyć skok spustu.

Wyłączanie

Puścić przycisk spustowy.

UWAGA: Silnik będzie pracował tylko pod warunkiem wciśnięcia zarówno dźwigni odblokowującej jak i spustu.

⚠ OSTRZEŻENIE: W czasie przerw w pracy i po zakończeniu pracy należy zawsze wyjmować akumulator z podkaszarki.

UŻYWANIE URZĄDZENIA

⚠ OSTRZEŻENIE: Aby ograniczyć ryzyko obrażeń, podczas pracy kosą do zarośli należy nosić odpowiednią odzież. Nie należy nosić luźnych ubrań ani biżuterii. Należy nosić środki ochrony oczu i ochronniki słuchu oraz mocne długie spodnie, solidne buty i rękawice. Nie należy nosić krótkich spodni i sandałów, nie należy też używać narzędzia na bosą.

Przed włączeniem należy się rozejrzeć dokoła, aby upewnić się, że w pobliżu nie ma żadnych osób, zwierząt ani luźnych przedmiotów. Upewnić się, że znajdują się one w odległości co najmniej 15 m. Następnie sprawdzić okulary ochronne, odzież i stan podłoża (pod kątem równowagi).

Przed każdym użyciem należy sprawdzić, czy jakieś części nie są uszkodzone/zużyte. Należy skontrolować głowicę tnącą, ostrze z 3 zębami, osłonę, osprzęt osłony, kierownicę oraz podwójny pasek na ramiona; wymienić części pęknięte, wypaczone, skrzywione lub uszkodzone w jakikolwiek sposób. Ostrze do cięcia żyłki na krawędzi osłony może się z czasem stępić. Zaleca się je okresowo ostrzyć pilnikiem lub wymieniać na nowe.

Po każdym użyciu kosę do zarośli należy wyczyścić.

UŻYWANIE Z ZAŁOŻONĄ GŁOWICĄ TNĄCĄ

Regulacja długości żyłki tnącej

Głowica tnąca pozwala operatorowi wysuwać więcej żyłki tnącej bez wyłączania silnika. Żyłka strzępi się i zużywa, dodatkową żyłkę można wysunąć lekko uderzając głowicą w ziemię w czasie, gdy podkaszarka pracuje (Rys. V).

UWAGA: Im krótsza żyłka, tym trudniejsze jest jej wysuwanie.

⚠ OSTRZEŻENIE: Nie należy demontować lub przerabiać zespołu ostrza do żyłki. Zbyt długa żyłka prowadzi do przegrzewania się silnika i może spowodować poważne urazy ciała.

Wymiana żyłki

UWAGA: Należy zawsze używać nylonowej żyłki tnącej zalecanego typu, o średnicy nieprzekraczającej 2,4 mm. Używanie żyłki innego typu może prowadzić do przegrzewania się kosy do zarośli i spowodować jej uszkodzenie.

⚠ OSTRZEŻENIE: Nigdy nie należy używać żyłek wzmocnionych metalem, drutów, sznurków itp. Mogą się one ułamać i zmienić w niebezpieczne pociski.

1. Wyjąć akumulator.
2. Jeśli jest to konieczne, wyjąć pozostałą żyłkę tnącą.
3. Obrócić osłonę mocującą szpuli w kierunku zaznaczonym strzałką, odpowiednio do potrzeb, tak aby dopasować założoną w osłonie szpuli żyłkę (LOAD) do przelotek (otworów) w podstawie szpuli (Rys. W-1).
4. Odciąć 5 m żyłki tnącej i włożyć żyłkę do otworu mocującego w środku przelotki (Rys. W-2). Wcisnąć żyłkę i wyciągnąć ją z drugiej strony, tak aby po obu stronach szpuli znajdowało się tyle samo żyłki (Rys. W-3).
5. Obracać osłonę mocującą szpuli w kierunku zaznaczonym strzałką i nacisnąć ją, aby nawinać żyłkę na szpulę tak, aby po obu stronach widać było około 14 cm żyłki (Rys. W-4).
6. Nacisnąć osłonę mocującą szpuli w dół i jednocześnie pociągnąć żyłki, aby je ręcznie wysunąć, sprawdzić prawidłowe złożenie głowicy tnącej.

Gdy żyłka tnąca urwie się na wyciecie żyłki lub gdy żyłka tnąca nie wysuwa się z głowicy tnącej pod wpływem uderzenia głowicą w podłoże, należy wykonać następujące kroki:

1. Wyjąć akumulator.
2. Wcisnąć zaczepy odblokowujące w osłonie mocującej szpuli i zdjąć osłonę (Rys. H-1 i H-2).
3. Wyjąć żyłkę tnącą z osłony mocującej szpuli.
4. Jedną ręką przytrzymać podstawę szpuli, a drugą chwycić osłonę mocującą szpuli i dopasować zaczepy w osłonie szpuli do otworów w podstawie szpuli (Rys. X-1). Środkiem dłoni docisnąć i obrócić osłonę mocującą szpuli w lewo i w prawo, aż zaczepy zablokują się w podstawie szpuli (Rys. X-2).
5. Założyć z powrotem żyłkę tnącą.

UŻYWANIE NARZĘDZIA Z OSTRZEM METALOWYM Z 3 ZĘBAMI

⚠ OSTRZEŻENIE: Aby przyciąć zarośla i chaszczę, należy opuścić kręcące się ostrze z 3 zębami na zarośla i w ten sposób uzyskać efekt szatkowania. Kosy do zarośli należy używać tak jak zwykłej kosy (należy nią przemiatać w lewo i w prawo) na wysokości podłoża. Końcówki tnącej nie wolno nigdy używać powyżej wysokości pasa.

⚠ OSTRZEŻENIE: Im wyżej końcówka tnąca znajduje się nad ziemią, tym większe jest ryzyko urazów spowodowanych wyrzuceniem ściniek na boki.

⚠ OSTRZEŻENIE: Podczas ścinania młodych odrostów lub innych zdrewniałych pędów o średnicy do 2 cm należy używać lewej strony ostrza, aby nie dopuścić do sytuacji grozących odbiciem. Nie należy próbować przycinać zdrewniałych pędów o większej średnicy, ponieważ ostrze mogłoby zakleszczyć się lub szarpać kosą do przodu. Mogłoby to doprowadzić do uszkodzenia ostrza lub kosy lub spowodować utratę kontroli nad kosą, co w efekcie mogłoby doprowadzić do urazów.

⚠ OSTRZEŻENIE: Niewłaściwe używanie ostrza może doprowadzić do jego pęknięcia, wyszczerbienia lub zniszczenia. Wyrzucone części mogą doprowadzić do ciężkich urazów operatora lub osób postronnych. Aby ograniczyć ryzyko obrażeń ciała, bardzo ważne jest podjęcie następujących środków ostrożności:

- Należy unikać kontaktu z twardymi przedmiotami lub ciałami stałymi takimi jak kamienie i kawałki skał lub metalu.
- Nigdy nie należy ciąć drewna o średnicy powyżej 2 cm.

- Ostrze należy kontrolować pod kątem oznak uszkodzenia w regularnych, krótkich odstępach czasu. Nie należy kontynuować pracy, gdy ostrze jest uszkodzone.
- Ostrze należy regularnie ostrzyć (gdy się wyraźnie stępi). W razie potrzeby należy je też wyważyć (czynność tę powinien wykonać wykwalifikowany technik serwisu).

Odbicie ostrza

Podczas używania ostrza z 3 zębami należy zachować maksymalną ostrożność. Odbicie jest reakcją, która może nastąpić, gdy kręcące się ostrze dotknie przedmiotu, którego nie jest w stanie przeciąć. Dotknięcie to może spowodować chwilowe zatrzymanie się ostrza i nagle „szarpnięcie” urządzenia w kierunku od uderzonego przedmiotu. Reakcja może być na tyle gwałtowna, że operator może utracić kontrolę nad narzędziem. Jeśli ostrze zaczepi się o coś, zablokuje się lub zaklinuje, do odbicia może dojść bez jakiegokolwiek ostrzeżenia. Odbicie ostrza zdarza się częściej w miejscach, w których trudno jest zobaczyć koszony materiał. Aby kosić łatwo i bezpiecznie, należy podchodzić do koszonych chwastów z kosą do zarośli przesuwając się od prawej do lewej. W przypadku niespodziewanego natrafienia na jakiś przedmiot lub kawałek drewna, takie postępowanie ogranicza szarpnięcie ostrzem do minimum.

KONSERWACJA

⚠ OSTRZEŻENIE: Przed kontrolą, czyszczeniem lub serwisowaniem urządzenia należy wyłączyć silnik, odczekać aż wszystkie poruszające części zatrzymają się i wyjąć akumulator. Niezastosowanie się do powyższych instrukcji może doprowadzić do poważnych obrażeń ciała lub do uszkodzenia mienia.

⚠ OSTRZEŻENIE: Podczas serwisowania należy używać wyłącznie części zamiennych identycznych z oryginalnymi. Używanie jakichkolwiek innych części stwarza ryzyko i może spowodować usterkę produktu. Aby zagwarantować bezpieczeństwo i niezawodność, wszystkie naprawy powinny być wykonywane przez wykwalifikowanych techników serwisu.

KONSERWACJA OGÓLNA

Podczas czyszczenia części plastikowych należy unikać używania rozpuszczalników. Pod wpływem kontaktu z różnego rodzaju rozpuszczalnikami dostępnymi w handlu większość tworzyw może ulec uszkodzeniu. Do usuwania zabrudzeń, kurzu, oleju, smaru itp. należy używać czystych ściereczek.

CZYSZCZENIE URZĄDZENIA

- Po każdym użyciu ostrza z 3 zębami/głowicy tnącej należy miękką szcoteczką usunąć zanieczyszczenia, ziemię lub trawę zapychające ostrze i jego osłonę.

UWAGA: Gdy ostrze się stępi, należy je oddać wykwalifikowanemu serwisantowi do naostrzenia. W razie potrzeby ostrze należy wymienić na nowe.

- Po każdym użyciu kosa do zarośli końcówkę tnącą należy wyczyścić wilgotną ściereczką i łagodnym deterгентem.
- Do czyszczenia części plastikowych lub uchwytu nie należy używać jakichkolwiek silnych detergentów. Mogą one zostać uszkodzone przez niektóre olejki aromatyczne, takie jak olejek sosnowy i cytrynowy oraz przez rozpuszczalniki takie jak nafta. Wilgoć może także spowodować porażenie prądem. Wszelką wilgoć należy wycierać miękką suchą ściereczką.
- Do czyszczenia otworów wentylacyjnych z tylnej części obudowy należy używać małej szczoteczki lub małego odkurzacza.

PRZECHOWYWANIE URZĄDZENIA

- Wyjąć akumulator z narzędzia.
- Aby móc dokładnie wyczyścić urządzenie, należy nosić mocne rękawice.
- Aby bezpiecznie przechowywać ostrze z 3 zębami, należy na nie założyć osłonę (Rys. Y).
- Urządzenie należy przechowywać w suchym i przewiewnym miejscu niedostępnym dla dzieci: albo pod kluczem, albo wystarczająco wysoko. Urządzenia nie należy przechowywać na nawozach lub w ich pobliżu, to samo dotyczy podłoży zanieczyszczonych benzyną i substancjami chemicznymi.

Ochrona środowiska



Urządzeń elektrycznych, ładowarki do akumulatorów oraz akumulatorów/baterii akumulatorowych nie należy wyrzucać do zwykłych zmieszanych śmieci domowych!

Zgodnie z dyrektywami Wspólnoty Europejskiej, odpowiednio nr 2012/19/WE i 2006/66/WE, urządzenia elektryczne i elektroniczne nienadające się dłużej do użycia oraz uszkodzone lub zużyte akumulatory/baterie trzeba zbierać oddzielnie.

Wyrzucanie urządzeń elektrycznych na wysypisko grozi wyciekami niebezpiecznych substancji do wód gruntowych i przedostaniem się ich do łańcucha pokarmowego, ze szkodą dla zdrowia i jakości życia użytkownika.

DEKLARACJA ZGODNOŚCI WE



We, EGO EUROPE GMBH

Wahlwiesenstrasse 1, D-71711 Steinheim an der Murr Deutschland

Oświadczam, że produkt **KOSA DO ZAROŚLI Z KIEROWNICĄ ROWEROWĄ, Z SILNIKIEM Z TYŁU I BATERIĄ LITOWO-JONOWĄ 56 WOLTÓW BC3800E** spełnia istotne wymagania BHP oraz wymogi wprowadzone następującymi dyrektywami:

2006/42/WE, 2014/30/UE, 2011/65/UE, 2000/14/WE

Normach i specyfikacjach, o których mowa w:

EN ISO 11806-1, EN 60745-1, EN 55014-1, EN 55014-2, IEC 62321.

| | Głowica tnąca | Ostrze metalowe z 3 zębami |
|---------------------------------------|---------------|----------------------------|
| Mierzony poziom mocy akustycznej: | 94,80 dB(A) | 94,04 dB(A) |
| Gwarantowany poziom mocy akustycznej: | 96 dB(A) | 96 dB(A) |

Procedurę oceny zgodności z Załącznika VI przeprowadzono zgodnie z dyrektywą 2000/14/WE.

Powiadomiony organ: DEKRA Certification B.V. Meander 1051 / P.O. box 5185 6525 MJ ARNHEM / 6802 ED ARNHEM, Netherlands

Numer powiadomionego organu: 0344

Peter Melrose
Dyrektor zarządzający
EGO Europe GmbH

Dong Jianxun
Dyrektor ds. Jakości w Chevron

*(upoważniony przedstawiciel CHEVRON i kierownik ds. technicznych)

01/09/2017

PL

ROZWIĄZYWANIE PROBLEMÓW

| PROBLEM | PRZYCZYNA | ROZWIĄZANIE |
|--------------------------|---|--|
| Problem z uruchomieniem. | <ul style="list-style-type: none"> ■ Do kosy do zarośli nie włożono akumulatora. ■ Kosa do zarośli i akumulator nie kontaktują. ■ Akumulator jest wyczerpany. ■ Dźwignia odblokowująca i przełącznik spustowy nie zostały wciśnięte jednocześnie. | <ul style="list-style-type: none"> ■ Włożyć akumulator do głowicy. ■ Wyjąć akumulator, sprawdzić styki i założyć akumulator z powrotem aż do oporu. ■ Naładować akumulator jedną z ładowarek EGO podanych w niniejszym podręczniku. ■ Aby włączyć kosę do zarośli, wcisnąć i przytrzymać dźwignię odblokowującą, a następnie nacisnąć przełącznik spustowy. |
| Zatrzymaj się. | <ul style="list-style-type: none"> ■ Silnik jest przeciążony. ■ Używana jest ciężka żyłka. ■ Akumulator lub kosa do zarośli są zbyt gorące. ■ Akumulator jest odłączony od narzędzia. ■ Akumulator jest rozładowany. | <ul style="list-style-type: none"> ■ Gdy tylko obciążenie zostanie usunięte, silnik wznowi pracę. Do pracy ciągłej należy zmniejszyć obciążenie głowicy uniwersalnej. ■ Używać standardowej nylonowej żyłki tnącej o średnicy nie większej niż 2,4 mm. ■ Pozwolić, aby akumulator lub głowica ostygły do temperatury poniżej 67°C. ■ Ponownie założyć akumulator. ■ Naładować akumulator jedną z ładowarek EGO podanych w niniejszym podręczniku. |

PL

| PROBLEM | PRZYCZYNA | ROZWIĄZANIE |
|---|--|--|
| <p>Głowica tnąca nie wysuwa żyłki (dotyczy tylko przypadku używania narzędzia z głowicą tnącą).</p> | <ul style="list-style-type: none"> ■ Walek silnika lub głowica tnąca są zapchane trawą. ■ W szpuli jest za mało żyłki. ■ Głowica tnąca jest zabrudzona. ■ Żyłka zaplątała się w szpuli. ■ Żyłka jest za krótka. | <ul style="list-style-type: none"> ■ Zatrzymać narzędzie, wyjąć akumulator i usunąć trawę z walka silnika i głowicy tnącej. ■ Wyjąć akumulator i wymienić żyłkę tnącą; patrz część „WYMIANA ŻYŁKI” w niniejszej instrukcji. ■ Wyjąć akumulator i wyczyścić szpulę, osłonę mocującą szpulę i podstawę szpuli. ■ Wyjąć akumulator, wyjąć żyłkę ze szpuli i przewinąć; patrz część „WYMIANA ŻYŁKI” w niniejszej instrukcji. ■ Wyjąć akumulator i pociągnąć końce żyłki, a jednocześnie na przemian wciskać i puszczać uderzak. |

GWARANCJA

POLITYKA GWARANCYJNA EGO

W celu zapoznania się z wszystkimi warunkami polityki gwarancyjnej EGO prosimy odwiedzić stronę egopowerplus.com.

PL

PŘEČTĚTE SI VŠECHNY POKYNY!



PŘEČTĚTE SI NÁVOD K OBSLUZE

⚠ Zbytečné riziko! Lidé s elektronickými přístroji, jako jsou např. kardiostimulátory, by se měli před použitím toho výrobku poradit se svým lékařem. Použití elektrického zařízení v těsné blízkosti kardiostimulátoru může způsobit narušení činnosti nebo poruchu kardiostimulátoru.

⚠ VAROVÁNÍ: Z důvodu bezpečnosti by měl všechny opravy a výměny provádět kvalifikovaný servisní technik.

BEZPEČNOSTNÍ SYMBOLY

Účelem bezpečnostních symbolů je upoutat vaši pozornost k případným nebezpečím. Bezpečnostní symboly a jejich vysvětlení vyžadují vaši zvýšenou pozornost a porozumění. Výstražné symboly samy o sobě nevyklučují žádné nebezpečí. Pokyny a varování nejsou náhradou vhodných opatření pro prevenci úrazů.

⚠ VAROVÁNÍ: Před použitím tohoto nástroje si přečtěte a seznáme se se všemi bezpečnostními pokyny v tomto návodu k obsluze včetně veškerých výstražných symbolů jako např. „**NEBEZPEČÍ**“, „**VAROVÁNÍ**“ a „**UPOZORNĚNÍ**“. Nedodržení níže uvedených pokynů může mít za následek úraz elektrickým proudem, požár a nebo vážná poranění osob.

VÝZNAM SYMBOLŮ

⚠ BEZPEČNOSTNÍ VÝSTRAŽNÝ SYMBOL: Označuje **NEBEZPEČÍ**, **VAROVÁNÍ** nebo **UPOZORNĚNÍ**, který může být použit ve spojení s jinými symboly nebo piktogramy.



⚠ VAROVÁNÍ: Při použití elektrického nářadí může dojít k vyvrstvení cizích těles do očí, což může způsobit jejich závažné poranění. Před použitím elektrického nářadí si vždy nasadte ochranné brýle, ochranné brýle s bočními kryty nebo v případě potřeby obličejový štít. Na brýle nebo standardní ochranné brýle s bočními kryty doporučujeme použít ochrannou masku.

BEZPEČNOSTNÍ POKYNY

Na této stránce jsou zobrazeny a popsány bezpečnostní symboly, které se mohou objevit na výrobku. Před montáží a provozem si přečtěte, seznáme se a dodržujte veškeré pokyny ke stroji.

| | | |
|--|--|--|
| | Bezpečnostní upozornění | Upozorňuje na možné riziko úrazu. |
| | Přečtěte si návod k obsluze | Z důvodu snížení rizika úrazu si musí uživatel před použitím tohoto výrobku přečíst a seznámit se s návodem k obsluze. |
| | Používejte ochranu očí | Vždy noste ochranné brýle, ochranné brýle s bočními kryty nebo obličejový štít při použití tohoto výrobku. |
| | Používejte ochranu sluchu. | Vždy používejte ochranu sluchu (špunty do uší nebo sluchátka), která chrání váš sluch. |
| | Používejte ochranu hlavy. | K ochraně hlavy použijte schválenou pevnou ochrannou přilbu. |
| | Používejte ochranné rukavice. | Chraňte své ruce rukavicemi při manipulaci s čepelí nebo chráničem čepele. Odolné protiskluzové rukavice zlepšují váš úchop a chrání ruce. |
| | Používejte ochrannou obuv. | Při použití tohoto zařízení noste protiskluzovou bezpečnostní obuv. |
| | Dejte si pozor na zpětný ráz. | Upozorněte obsluhu na nebezpečí zpětného rázu. |
| | Odras a ostatní osoby v bezpečné vzdálenosti | Vyvrstvené objekty se mohou odrazit a mít za následek zranění osob nebo poškození majetku. Když křovinořez používáte, udržujte od ostatních osob a domácích zvířat bezpečnou vzdálenost. |
| | Udržujte ostatní osoby v bezpečné vzdálenosti. | Když strunovou sekačku používáte, udržujte od ostatních osob a domácích zvířat bezpečnou vzdálenost aspoň 15 m. |

| | | |
|----------|------------------------------|---|
| | Bez kulatých čepelí | Neinstalujte kulaté řezací čepelí. |
| | Nevystavujte dešti. | Nepoužívejte ani nechte venku na dešti. |
| | CE | Tento výrobek je v souladu s platnými směrnici ES. |
| | WEEE | Odpadní elektrické výrobky se nesmí likvidovat s domovním odpadem. Odevzdejte do autorizovaného recyklačního střediska. |
| | Hlučnost | Garantovaná hladina akustického výkonu. Emise hluku do prostředí dle direktivy Evropského společenství. |
| V | Voltů | Napětí |
| | Stejnosměrný proud | Druh nebo vlastnosti proudu |
| n_0 | Rychlost při chodu naprázdno | Otáčky při chodu naprázdno |
| ... /min | Za minutu | Otáčky za minutu |

DŮLEŽITÉ BEZPEČNOSTNÍ POKYNY

⚠ VAROVÁNÍ! Při používání tohoto výrobku je nutné vždy dodržovat základní bezpečnostní opatření pro zamezení rizika požáru, úrazu elektrickým proudem a poranění osob včetně následujícího:

ČTĚTE PEČLIVĚ PŘED POUŽITÍM

USCHOVEJTE PRO BUDOUCÍ POUŽITÍ

⚠ NEBEZPEČÍ! Nespoléhejte se na izolaci nářadí proti úrazu elektrickým proudem. Chcete-li snížit riziko usmrčení elektrickým proudem, nikdy stroj nepoužívejte v blízkosti žádných vodičů nebo kabelů (napájecích atd.), které mohou vést elektřinu.

⚠ VÝSTRAHA! Při práci používejte vhodné chrániče sluchu. Za určitých podmínek a po určité době používání může hluk z tohoto výrobku přispět ke ztrátě sluchu.

ŠKOLENÍ

- Pečlivě si přečtěte tyto pokyny. Seznamte se s ovládacími prvky a správným použitím stroje.
- Osoby, které se neseznámily s těmito pokyny, nebo děti nesmí stroj používat. Místní předpisy mohou omezovat věk obsluhy.
- Nezapomínejte, že je obsluha nebo uživatel zodpovědný za nehody nebo ohrožení jiných osob nebo jejich majetku.

PŘÍPRAVA

- Toto nářadí nikdy nepoužívejte, pokud jsou v blízkosti osoby, zejména děti, nebo domácí zvířata.
- Při práci s nářadím vždy používejte ochranu očí a noste pevnou obuv.
- Vzdálenost mezi strojem a ostatními osobami nesmí být menší než 15 m.

PROVOZ

- Křovinořez používejte pouze za denního světla nebo při dobrém umělém osvětlení.
- Nikdy křovinořez nepoužívejte, pokud jsou poškozené kryty nebo štíty, nebo když nejsou instalované.
- Motor zapněte pouze v případě, že jsou ruce a nohy v bezpečné vzdálenosti od řezacího nástroje.
- Křovinořez vždy odpojte z elektrické sítě (tj. vyjměte akumulátor):
 - kdykoliv je křovinořez bez dozoru;
 - před odstraněním překážky;
 - před kontrolou, čištěním nebo prací na křovinořezu;
 - po nárazu do cizího tělesa;
 - vždy, když začne křovinořez abnormálně vibrovat.
- Dávejte pozor na poranění nohou a rukou řezným nástrojem.
- Dbejte, aby větrací otvory byly vždy udržovány v čistotě.

ÚDRŽBA A SKLADOVÁNÍ

- Před provedením údržby nebo čištění křovinořez vždy odpojte z elektrické sítě (tj. vyjměte akumulátor).
- Používejte pouze náhradní díly a příslušenství doporučené výrobcem.
- Pravidelně křovinořez kontrolujte a udržujte. Opravu stroje světe pouze autorizovanému opraváři.

- Pokud se nepoužívá, skladujte křovinořez mimo dosah dětí.

DALŠÍ BEZPEČNOSTNÍ VAROVÁNÍ

- **Udržujte děti v bezpečné vzdálenosti** - Všichni návštěvníci musí dodržovat bezpečnou vzdálenost nejméně 30 m od pracoviště.
- **Vyhnete se nebezpečným prostředím** - Nepoužívejte přístroje ve vlhkém nebo mokřém prostředí.
- **Pokud zůstává křovinořez bez dozoru, vždy ho vypněte nebo vyjměte akumulátor.**
- **Nepoužívejte v dešti.**
- **Vhodně se oblékejte** - Nenoste volné oblečení, šperky, krátké kalhoty, sandály ani nechodte bosí. Mohou být zachyceny pohyblivými částmi. Vždy noste pevné, dlouhé kalhoty a košili s dlouhým rukávem. Při práci venku doporučujeme používat gumové rukavice a pevnou obuv. Noste ochranu na dlouhé vlasy, aby zůstaly nad úrovní ramen.
- **Používejte ochranné brýle** - Vždy používejte obličejový štít nebo prachovou masku, pokud pracujete v prašném prostředí.
- **Používejte správné nářadí** - Nepoužívejte nářadí k jiné práci, než ke které je určeno.
- **Křovinořez nepřetěžujte** - Svou práci bude vykonávat lépe a s nižším rizikem úrazu v rámci parametrů, pro které byl určen.
- **Nepřeceňujte své síly** - Vždy udržujte pevný postoj a rovnováhu.
- **Buďte pozorní** - Sledujte, co děláte. Řiďte se zdravým rozumem. Nepoužívejte křovinořez, pokud jste unavení.
- **S křovinořezem nepracujte pod vlivem alkoholu nebo jiných návykových látek.**
- **Veškeré kryty musejí být instalovány na příslušných místech a musejí být v dobrém stavu.**
- **Udržujte ruce a nohy v bezpečné vzdálenosti od řezacího prostoru.**
- **Křovinořez skladujte v interiéru** - Pokud křovinořez nepoužíváte, skladujte ho v interiéru na suchém, vyvýšeném nebo uzamčeném místě s vyjmutým akumulátorem – mimo dosah dětí.
- **Křovinořez pečlivě udržujte** - Řezací nástavec udržujte v čistotě pro co nelepší výkon a snížení rizika úrazu. Dodržujte pokyny pro výměnu příslušenství. Udržujte rukojeti suché, čisté, bez oleje a maziva.
- **Zkontrolujte poškozené díly** - Před dalším použitím křovinořezu je nutno každý poškozený kryt nebo část pečlivě zkontrolovat a určit, zda budou fungovat správně

a plnit svoji zamýšlenou funkci. Zkontrolujte seřízení pohyblivých částí, spojení pohyblivých částí, poškození částí, sestavení a další podmičky, které mohou ovlivnit jeho provoz. Kryt nebo jiná poškozená část by se měla řádně opravit nebo vyměnit v autorizovaném servisním středisku, pokud není v tomto návodu uvedeno jinak.

- **Ujistěte se, že všechny spojovací prvky jsou na svém místě a jsou upevněny. Ujistěte se, že chráníč řezného nástavce je řádně připojen a v poloze doporučené výrobcem.**
- **Před každým použitím vyčistěte prostor, kde budete řezat.** Odstraňte veškeré předměty, jako jsou např. kameny, rozbité sklo, hřebíky, dráty nebo provazy, které mohou být vrženy, nebo se mohou do řezacího nástavce zaplést. Z prostoru vyžeňte děti, ostatní osoby a domácí zvířata. Děti, přihlížející osoby a domácí zvířata udržujte ve vzdálenosti 15 m (50 ft); i mimo 15 m (50 ft) pásma existuje stále nebezpečí poranění vymrštěnými předměty. Ostatním osobám doporučte použití ochrany očí.
- **Před použitím křovinořezu a po případném nárazu zkontrolujte, zda nejeví známky opotřebení nebo poškození, a v případě potřeby jej opravte.**
- **Při práci křovinořez vždy držte pevně s oběma rukama na rukojetích. Prsty a palce obepněte okolo rukojetí.**
- **Zabraňte neúmyslnému spuštění** - Nepřenášejte křovinořez s prstem na spoušti.
- **Křovinořez nepoužívejte v hořlavém nebo výbušném prostředí. Motory v těchto zařízeních produkují jiskru, která může zapálit výpary.**
- **Poškození křovinořezu** - Pokud narazíte křovinořezem do cizího tělesa, nebo se zamotá, okamžitě křovinořez vypněte, vyjměte akumulátor, zkontrolujte, zda není poškozen a před dalším použitím případně poškození opravte. Nepoužívejte ho s poškozeným krytem nebo čepelí.
- **Pokud začne křovinořez abnormálně vibrovat, zastavte motor, vyjměte akumulátor a okamžitě vyhledejte příčinu.** Víbrace obvykle upozorňují na problém. Uvolněná řezací jednotka může vibrovat, prasknout, poškodit se, nebo odpadnout od křovinořezu, což může vést k vážnému nebo smrtelnému úrazu. Ujistěte se, že řezací jednotka je správně nainstalována a pevně připevněna. Pokud se řezací jednotka uvolní po upevnění v dané pozici, okamžitě ji vyměňte. Nikdy nepoužívejte křovinořez s uvolněnou řezací jednotkou.
- **Prasklou, poškozenou nebo opotřebovanou řezací jednotku okamžitě vyměňte, i kdyby se jednalo pouze o povrchové praskliny.** Tato jednotka se může roztrhnout ve vysoké rychlosti a způsobit vážný nebo smrtelný úraz.

- Pro snížení rizika úrazu nikdy nepracujte na žebříku nebo jiné nestabilní podpoře. Nikdy nedržte řezací jednotku nad úrovní pasu.
- Nikdy nepoužívejte jiné dráty namísto nylonových řezných strun; kusy drátu se mohou ulomit a vyvrhnout vysokou rychlostí směrem k obsluze nebo kolemjdoucím.
- Udržujte pevný postoj a rovnováhu. Nepřečeňujte se. Udržujte řezací jednotku pod úrovní pasu. Udržujte všechny části těla v bezpečné vzdálenosti od rotující řezací jednotky.
- Řezací jednotku kontrolujte v pravidelných intervalech při práci, nebo okamžitě v případě zjevné změny v chodu řezání.
- Používejte pouze schválené EGO polymerové řezací struny a čepelové příslušenství, struny a čepel, které jsou určeny pro použití s tímto křovinořezem. Některé neschválené jednotky můžou být velmi nebezpečné a/nebo poškozující nářadí.
- Pokud se k vám někdo blíží, okamžitě vypněte motor a řezací jednotku.
- Upozorněte obsluhu na nebezpečí zpětného rázu čepel (pouze u 3-zubé čepel).
 - Ke zpětnému rázu může dojít při kontaktu otáčejícího se ostří s objektem, který není okamžitě přerušit.
 - Zpětný ráz může být dost silný, aby způsobil pohyb přístroje a/nebo provozovatele v libovolném směru a může taky vést ke ztrátě kontroly nad přístrojem.
 - Ke zpětnému rázu může dojít bez varování, jestliže se čepel zadrhne, zastaví nebo zasekne.
 - Zpětný ráz je pravděpodobnější v oblastech, kde je obtížné vidět řezaný materiál.
- Nepřipojujte žádnou čepel na přístroj bez řádné instalace všech potřebných dílů. Pokud se nepoužijí správné díly, může dojít k odletění čepel a vážnému poranění obsluhy a/nebo kolemjdoucích. Vyhodte čepel, které jsou ohnuté, zdeformované, popraskané, rozbité nebo jinak jakkoli poškozené. Používejte ostré čepel. Tupá čepel se více pravděpodobně zachytí a provede zpětný ráz (pouze u 3-zubé čepel).
- Akumulátor likvidujte bezpečným způsobem.
- Volnoběžná čepel/struna může způsobit zranění, když se dále otáčí potom, co je motor zastaven nebo spouštěč uvolněn. Dodržujte řádnou kontrolu, dokud čepel/struna zcela nezastaví svoje otáčení.
- Akumulátor nenabíjejte v dešti nebo na mokřím místě.

- Používejte pouze následující EGO akumulátory a nabíječky:

| AKUMULÁTOR | NABÍJEČKA |
|---|--------------------|
| BA1120E, BA1400, BA2240E, BA2800, BA3360, BA4200, BAX1300 | CH2100E CH5500E |

- Před likvidací vyjměte ze zařízení akumulátor.
- Akumulátory nevhazujte do ohně. Čláčky mohou vybuchnout. O zvláštních pokynech pro likvidaci se informujte v místních právních předpisech.
- Akumulátor neotvírejte ani nezneškodňujte. Uniklý elektrolyt je žíravý a může způsobit poškození očí nebo kůže. Při požití může být toxický.
- Při manipulaci s akumulátory dbejte, aby nedošlo ke zkratu akumulátoru vodivými materiály, jako např. prsteny, náramky nebo klíče. Akumulátor nebo vodič se mohou přehřát a způsobit popáleniny.
- Náhradní díly - Při opravách používejte pouze originální náhradní díly společnosti EGO. Použití jiného příslušenství nebo nástavců může zvýšit riziko úrazu.
- Akumulátorové nářadí se nemusí zapojovat do elektrické zásuvky, proto jsou vždy v provozním stavu. Nezapomínejte na možná rizika ani v případě, že je nářadí vypnuté. Dávejte pozor při provádění údržby nebo opravy.
- Před servisem, čištěním nebo odstraňováním materiálu z křovinořezu vyjměte nebo odpojte akumulátor.
- Nemyjte hadici; dbejte, aby se do motoru a elektrických přípojek nedostala voda.
- Pokud nastane situace, která není popsána v tomto návodu, použijte pečlivý a zdravý úsudek. Obráťte se na zákaznické servisní středisko EGO se žádostí o pomoc.

TYTO POKYNY USCHOVEJTE PRO BUDOUCÍ POUŽITÍ!

CZ

SPECIFIKACE

| | | | |
|--|----------------------------------|---|---|
| Řezací jednotka | Strunová hlava | 3-zubá kovová čepel | |
| Napětí | 56 V | 56 V | |
| Otáčky naprázdno | 4500-6000 /min | 4500-6000 /min | |
| Typ žací struny | 2,4 mm nylonová skroucená struna | / | |
| Řezací čepel | / | ABB1203 | |
| Šířka sekání | 38 cm | 30 cm | |
| Hmotnost (Bez akumulátoru) | 4,35 kg | 4,64 kg | |
| Měřená hladina akustického výkonu L_{WA} | 94,80 dB(A); K=1,01 dB(A) | 94,04 dB(A); K=1,71 dB(A) | |
| Hladina akustického tlaku v místě obsluhy L_{PA} | 80,2 dB(A); K=2,5 dB(A) | 80,0 dB(A); K=4,1 dB(A) | |
| Zaručená úroveň akustického výkonu L_{WA} (měřeno podle směrnice 2000/14/ES) | 96 dB(A) | 96 dB(A) | |
| Ohodnocení vibrací a_n | Levá rukojeť | 2,28 m/s ² ; K=1,5 m/s ² | 1,55 m/s ² ; K=1,5 m/s ² |
| | Pravá rukojeť | 2,38 m/s ² ; K=1,5 m/s ² | 1,88 m/s ² ; K=1,5 m/s ² |

- Celková deklarovaná hodnota vibrací byla naměřena podle standardní zkušební metody a lze ji použít ke srovnání s jiným nářadím;
- Celkovou deklarovanou hodnotu vibrací lze použít také k předběžnému stanovení expozičních limitů.

POZNÁMKA: Emise vibrací při konkrétním použití elektrického nářadí se mohou lišit od deklarované hodnoty, při které se nářadí používá; z důvodu ochrany provozovatele by měl uživatel ve skutečných pracovních podmínkách nosit rukavice a chrániče sluchu.

OBSAH BALENÍ

| NÁZEV DÍLU | MNOŽSTVÍ |
|-------------------------|----------|
| Křovinořez | 1 |
| 3-zubá čepel s pouzdrům | 1 |
| Sestava chrániče | 1 |
| Matice | 1 |
| Vnější příruba | 1 |
| Imbusový klíč | 1 |
| Multifunkční klíč | 1 |
| Dvouramenní popruh | 1 |
| Návod k obsluze | 1 |

POPIS

SEZNAMTE SE KŘOVINOŘEZEM (obr. A)

1. Páčka pro omezení rychlosti
2. Pojistná páčka
3. Křídlový šroub
4. Spouštěč
5. Pomocná rukojeť
6. Hřídel
7. Řezací struna
8. Sestava chrániče
9. Strunová hlava
10. Těsnící šroub
11. Otvor pro zajištění hřídele
12. Příslušenství chrániče
13. Multifunkční klíč
14. Imbusový klíč
15. 3-zubá čepel
16. Vnější příruba
17. Matice
18. Uvolňovací tlačítko
19. Ochranní gumová podložka
20. Západka
21. Elektrické kontakty
22. Vysunovací mechanismus
23. Přezka popruhu
24. Boční opěrka

VAROVÁNÍ: Nářadí nikdy nepoužívejte bez řádně nainstalovaného chrániče. Chránič musí být vždy na nářadí z důvodu ochrany uživatele.

VAROVÁNÍ: Když je nástroj vybaven strunovou hlavou, musí se namontovat sestava chrániče strunové čepeli na chránič. Nedodržení tohoto pokynu může mít za následek příliš dlouhou řeznou linii a přetížení motoru. Nikdy nepoužívejte strunovou hlavu bez sestavy chrániče.

MONTÁŽ

VAROVÁNÍ: Pokud jsou některé díly poškozené, nebo chybí, nepoužívejte křovinořez, dokud se díly nevymění. Použití tohoto křovinořezu s poškozenými nebo chybějícími díly může vést k vážnému úrazu.

VAROVÁNÍ: Nepokoušejte se křovinořez upravovat ani vytvářet příslušenství, které se k tomuto výrobku nedoporučuje. Každá taková změna nebo úprava je zneužitím a může vést k nebezpečné situaci, která může zapříčinit vážný úraz.

VAROVÁNÍ: Vždy používejte pevné rukavice při instalaci nebo odstraňování chrániče nebo provádění jakékoliv údržby na 3-zubé čepeli/vyžínacím kotouči. Dávejte pozor na vyžínací kotouč na sestavě chrániče/3-zubé čepeli a chraňte svoje ruce před poraněním ostřím.

VAROVÁNÍ: Pokud provádíte montáž dílů nebo přenášíte nářadí, vždy vyjměte akumulátor, aby nedošlo k neúmyslnému spuštění, které může způsobit vážný úraz.

VAROVÁNÍ: Nářadí nikdy nepoužívejte bez řádně nainstalovaného chrániče a přední pomocné rukojeti. Nedodržení tohoto pokynu může vést k možnému vážnému poranění.

MONTÁŽ A SEŘÍZENÍ POMOCNÉ RUKOJETI

Křovinořez je uložen, jak je znázorněno na obr. B. Nejprve povolte křídlový šroub na spojovacím kloubu a zvedněte pomocnou rukojeť o 180 ° kolem hřídele (obr. C), otočte o 90 ° proti směru hodinových ručiček, aby byla proti strunové hlavě (obr. D). Nakonec ji posuňte dozadu a zpět pro dosažení pohodlné pracovní polohy a dotáhněte šroub.

POZNÁMKA: Je povoleno provozování stroje pouze s rukojetí kolmo k hřídeli.

MONTÁŽ KRYTU

Uvolněte a vyšroubujte dva šrouby ze spodní části hřídele (obr. E), srovnajte upevňovací otvory krytu s montážními otvory a upevněte kryt ke spodní části hřídele s pomocí dvou šroubů a dvou pružinových podložek (obr. F).

Zkontrolujte, zda je kryt upevněn podle obr. E a F, obrácené upevnění představuje vysoké riziko!

VÝMĚNA STRUNOVÉ HLAVY ZA 3-ZUBOU ČEPEL

Postupujte podle pokynů na obr. H-1 – obr. H-4 (viz sekce „výměna struny“) pro demontáž strunové hlavy (obr. G). Chcete-li připojit čepel, postupujte podle následujících kroků:

1. Montáž kovové čepelové jednotky (obr. I).
2. Odstraňte příslušenství chrániče uvolněním tří šroubů s podložkou (obr. J).
3. Čepel je dodávána s pouzdrém. Před montáží čepele na křovinořez sundejte pouzdro uvolněním upínacího drátu z háčku na pouzdrě (obr. K).

Opis částí na obr. G- K viz níže:

| | | | |
|-----|-----------------|-----|------------------------|
| G-1 | Vnitřní příruba | I-3 | Kryt přírubby |
| G-2 | Kryt přírubby | I-4 | 3-zubá čepel |
| G-3 | Horní kryt ASSY | I-5 | Vnější příruba |
| G-4 | Podložka | I-6 | Matice |
| G-5 | Matice | I-7 | Drážka v přírubě |
| G-6 | Pružina | J-1 | Strunová čepel |
| G-7 | Řezací struna | J-2 | Příslušenství chrániče |
| G-8 | Dolní kryt ASSY | K-1 | Upínací drát |
| I-1 | Motorová hřídel | K-2 | Háček |
| I-2 | Vnitřní příruba | | |

POZNÁMKA: Nasaďte si rukavice před jakoukoli činností s 3-zubou čepelí jako ochranu před zraněním.

4. Otočte motorovou hřídel a vyrovnejte štěrbinu ve vnitřní přírubě s otvorem pro zajištění hřídele v převodové skříně (obr. L).
5. Vložte imbusový klíč do vyrovnaných otvorů jako stabilizátor (obr. M).

Opis částí na obr. L a M viz níže:

| | | | |
|-----|--|-----|-----------------|
| L-1 | Převodová skříně | L-3 | Motorová hřídel |
| L-2 | Vyrovnané otvory pro zajištění hřídele | M-1 | Stabilizátor |

6. Namontujte čepel na hřídel motoru tak, aby povrch čepele byl v jedné rovině s povrchem vyboulení vnitřní příruby. Namontujte vnější přírubu a matici (obr. N). Utáhněte předběžně matici PROTI SMĚRU hodinových ručiček rukou.

Opis částí na obr. N viz níže:

| | |
|-----|----------------|
| N-1 | Matice |
| N-2 | Vnější příruba |
| N-3 | 3-zubá čepel |

7. Položte převodovou skříň na pevnou podložku pro podporu. S jednou rukou přidržeťte hřídel křovinořezu a druhou rukou uchopte multifunkční klíč a utáhněte matici ve směru šipky vyznačené na vnější přírubě (obr. O).

POUŽITÍ PŘÍSLUŠENSTVÍ CHRÁNIČE

POZNÁMKA: Když je křovinořez vybaven strunovou hlavou, musí se namontovat sestava chrániče na chránič.

Připevňte sestavu chrániče na chránič utažením tří šroubů šestihranným klíčem, protože vyžínací kotouč se upíná na sestavu chrániče. Nedodržení tohoto pokynu může mít za následek příliš dlouhou řeznou linii a přetížení motoru.

CZ

POUŽITÍ

VAROVÁNÍ: Dbejte, abyste se po seznámení s výrobkem nestali neopatrní. Nezapomínejte, že stačí chvíle nepozornosti a může se stát vážný úraz.

VAROVÁNÍ: Vždy používejte ochranu zraku spolu s chráničem sluchu. Pokud tak neučiníte, může dojít k vymrštění předmětu do očí, nebo případně jiným vážným úrazům.

VAROVÁNÍ: Nepoužívejte nástavce nebo příslušenství, které nedoporučuje výrobce tohoto výrobku. Použití nedoporučených nástavců a příslušenství může vést k vážnému úrazu.

APLIKACE

Křovinořez lze použít k následujícím účelům:

- **S 3-zubou kovovou čepelí:** Řezání trávy, plevelu, divokého porostu a křovin, prořezávání mladých porostů s maximálním průměrem kmenu 2 cm.
- **Se strunovou hlavou:** Osekávání trávy a plevelu kolem přístřešků, plotů a palub.

POZNÁMKA: Nářadí se smí používat pouze k vyhrazenému účelu. Jakékoliv jiné použití se považuje za nesprávné.

INSTALACE/VYJMUTÍ AKUMULÁTORU

Před prvním použitím akumulátor nabijte.

Připojení

Srovnejte žebrování akumulátoru s instalačními drážkami a tlačte akumulátor dolů, dokud neuslyšíte „kliknutí“ (Obr. P).

Vyjmutí

Stiskněte tlačítko pro uvolnění akumulátoru a vytáhněte jej (Obr. Q).

Opis částí na obr. P viz níže:

| | |
|-----|-------------------|
| P-1 | Instalační drážka |
| P-2 | Žebrování |

MONTÁŽ DVOURAMENNÉHO POPRUHU A DRŽENÍ STROJE

Dejte si dvouramenní popruh přes rameno a vložte dvě části spony popruhu do sebe, dokud nezacvaknou (obr. R-1). Vyrovnějte háček boční opěrky do otvoru trubičkové svorky upevněné na hřídeli a jemně stiskněte hřídel (obr. R-2 a R-3 a R-4).

Držte strunovou sekačku oběma rukama na pravé straně těla (obr. S). Strunová hlava nebo čepel má být rovnoběžná se zemí ve správné řezací vzdálenosti, aniž by se operátor nakláněl.

Uvolnění křovinořezu lze dosáhnout dvěma způsoby. Uvolněte přezku popruhu (obr. T), nebo stiskněte háček popruhu a oddělte ho od trubičkové svorky upevněné na hřídeli (obr. R-2).

VAROVÁNÍ: Dojde-li k nouzové situaci, okamžitě si odepněte popruh ze svého ramene bez ohledu na to, jakým způsobem je popruh připnutý. Nejrychlejší metoda uvolnění je uvolnění přezky popruhu (obr. T) a vyvlečení obou rukou na obou stranách.

VAROVÁNÍ: Nepoužívejte současně jednoduchý a zdvojený ramenní popruh.

SPUŠTĚNÍ/VYPNUTÍ KŘOVINOŘEZU

Spuštění

Zmáčkněte pojistku a podržte ji v této poloze. Stiskněte spouštěč pro start (obr. U).

Odlíšný tlak na spouštěč způsobí proměnlivou rychlost otáčení řezací jednotky. Pokud je to nutné, upravte rychlost páčkou pro omezení rychlosti.

POZNÁMKA: Páčka pro omezení rychlosti se může použít také pro omezení chodu spouště.

Zastavení

Uvolněte spouštěč.

POZNÁMKA: Motor se spustí, pouze když jsou současně stisknuty páčka pojistky a spoušť.

VAROVÁNÍ: Při přestávce a po skončení práce vždy vyjměte akumulátor ze strunové sekačky.

POUŽITÍ STROJE

VAROVÁNÍ: Pro práci s křovinořezem se vhodně oblékněte, abyste snížili riziko úrazu. Nenoste volný oděv ani šperky. Používejte ochranu očí a chrániče sluchu. Noste odolné, dlouhé kalhoty, pevné boty a rukavice. Nenoste krátké kalhoty, sandály ani nechoďte bosí.

Před uvedením do provozu se rozhlédněte kolem sebe s cílem zajistit bezpečnost pracovního prostoru bez jiných lidí, zvířat nebo jakýchkoliv cizích předmětů. Ujistěte se, že jsou nejméně ve vzdálenosti 15 m. Používejte ochranu očí, správné oblečení a vyvážené postavení.

Před každým použitím zkontrolujte poškozené/opotřeбенé díly. Zkontrolujte strunovou hlavu, 3-zubou čepel, kryt, příslušenství krytu, přední pomocnou rukojeť, dvouramenní popruh a vyměňte díly, které jsou prasklé, zdeformované, ohnuté nebo jinak poškozené. Vyžínací kotouč na kraji příslušenství krytu se může časem ztupit. Doporučujeme vyžínací kotouč pravidelně brousit pilníkem, nebo ho vyměnit za nový.

Po každém použití důkladně vyčistěte křovinořez.

SE STRUNOVOU HLAVOU

Nastavení délky žací struny

Strunová hlava umožňuje obsluhu více vysunout žací strunu bez zastavení motoru. Když se struna roztřepe nebo opotřebí, lze při práci se sekačkou vysunout další část struny lehkým poklepnutím na regulátor struny o zem (viz obr. V).

POZNÁMKA: Vysouvání struny se stává obtížnějším se zkracováním žací struny.

VAROVÁNÍ: Nevyjímejte ani neupravujte sestavu vyžínacího kotouče. Nadměrná délka struny způsobí přehřátí motoru, což může vést k vážnému úrazu.

Výměna struny

POZNÁMKA: Vždy používejte doporučenou nylonovou strunu s průměrem, který nepřesahuje 2,4 mm. Použití jiné struny, než je uvedeno, může způsobit přehřátí nebo poškození křovinořezu.

VAROVÁNÍ: Nikdy nepoužívejte kovem zesílené struny, dráty, nebo lana atd. Mohou se ulomit a stát se nebezpečnými projektily.

1. Vyjměte akumulátor.
2. Odstraňte zbývající strunu, pokud je to nutné.
3. Otočte držák cívký ve směru šipky, jak je to nutné, vyrovnejte značku LOAD na držáku cívký s očky na základně cívký (obr. W-1).
4. Odřežte 5 metrů struny a vložte strunu do montážního otvoru uvnitř oka (obr. W-2). Přetlačte a vytáhněte strunu z druhé strany, dokud se na obou stranách cívký neobjeví stejná délka struny (obr. W-3).
5. Při otáčení držáku cívký ve směru šipky stisknete pro navinutí struny na cívký, až dokud na každé straně nezůstane přibližně 14 cm struny (obr. W-4).
6. Zatlačte držák cívký dolů při vytahování strun pro ruční vysunutí struny a zkontrolování správné montáže strunové hlavy.

Když se žací struna utrhne ve výstupu struny nebo žací struna není uvolněna, když se ťukne na hlavu sekačky, postupujte podle následujících kroků:

1. Vyjměte akumulátor.
2. Stiskněte uvolňovací západky na držáku cívký a vytáhněte držák cívký tahem směrem ven (obr. H-1 a H-2).
3. Vytáhněte strunu z držáku cívký.
4. S jednou rukou držte základnu cívký, druhou rukou uchopte držák cívký a zarovnejte jazýčky na držáku cívký s otvory v základně cívký (obr. X-1); Použijte dlaň pro přitisknutí a otáčení držáku cívký doleva a doprava, dokud jazýčky nezapadnou do základny cívký (obr. X-2).
5. Natáhněte žací strunu.

S 3-ZUBOU KOVOVOU ČEPELÍ

VAROVÁNÍ: Když chcete ořezat divoký porost a křoviny, snižte rotující 3-zubou čepel k porostu, aby se dosáhlo účinku sekání. Použijte křovinořez jako kosu (pojíždějte vpravo a vlevo) na úrovni terénu. Nedržte řezací jednotku nad úrovní pasu.

VAROVÁNÍ: Čím výše je řezací jednotka nad zemí, tím větší je riziko zranění z řízků vymrštěných do stran.

VAROVÁNÍ: Při řezání mladých porostů nebo jiných dřevitých materiálů až do 2 cm v průměru použijte levou stranu čepele, aby se zabránilo situacím se zpětným rázem. Nepokoušejte se řezat dřevní hmoty s větším průměrem, protože se čepel může zachytit nebo šknout křovinořez dopředu. Mohlo by dojít k poškození čepele nebo křovinořezu nebo ke ztrátě kontroly nad křovinořezem, což vede ke zranění osob.

⚠ VAROVÁNÍ: Nesprávné použití čepele může vést k jejímu prasknutí, odštěpení nebo roztržení. Vymrštné části mohou vážně poranit obsluhu či kolemjdoucího. Aby se snížilo riziko poranění osob, je nutné přijmout následující opatření:

- Vyhýbejte se kontaktu s tvrdými nebo cizími pevnými objekty, jako jsou kameny, skály nebo kusy kovu.
- Nikdy neřežte dřevo nebo keře s průměrem kmene více než 2 cm.
- Kontrolujte čepel v pravidelných krátkých intervalech na poškození. Nepokračujte v práci s poškozenou čepelí.
- Pravidelně brusťe čepel (pokud se nápadně otupila) a mějte ji vyváženou v případě potřeby (provádí pouze kvalifikovaný servisní technik).

Zpětný ráz čepele

Budte velmi opatrní při použití 3-zubé čepele s tímto nářadím. Zpětný ráz je reakce, která může nastat, když se otáčející čepel dostane do kontaktu s něčím, co nedokáže přefezat. Tento kontakt může způsobit, že čepel se na okamžik zastaví a najednou „odhodí“ přístroj do větší vzdálenosti od předmětu, který byl zasažen. Tato reakce může být dostatečně prudká, aby způsobila ztrátu kontroly obsluhy nad přístrojem. Ke zpětnému rázu může dojít bez varování, jestliže se čepel zadrhne, zastaví nebo zasekne. K tomu může častěji dojít v oblastech, kde je obtížné vidět řezaný materiál. Pro jednoduchost a bezpečnost řezání se přiblížte k řezané pleveli s křovinořezem zprava doleva. V případě kontaktu s neočekávaným objektem nebo dřevěným špalkem by tato praxe mohla minimalizovat zpětný ráz čepele.

ÚDRŽBA

⚠ VAROVÁNÍ: Před kontrolou, čištěním nebo údržbou přístroje zastavte motor, počkejte, až se všechny pohyblivé díly zastaví a vyjměte baterii. Nedodržení těchto instrukcí může vést k vážnému zranění nebo poškození majetku.

⚠ VAROVÁNÍ: Při opravách používejte pouze originální náhradní díly. Použití jiných dílů může být rizikem nebo způsobit poškození výrobku. Z důvodu bezpečnosti by měl všechny opravy provádět kvalifikovaný servisní technik.

CELKOVÁ ÚDRŽBA

K čištění plastových dílů nepoužívejte rozpouštědla. Většina plastů je náchylná k poškození různými typy komerčních rozpouštědel a jejich použití je může poškodit. K odstranění nečistot, prachu, oleje, maziva atd. použijte čistý hadr.

ČIŠTĚNÍ STROJE

- Po každém použití 3-zubé čepeli/strunové hlavy odstraňte měkkým kartáčkem suť, ucpanou zeminu nebo trávu na čepeli a chrániči.

POZNÁMKA: Když se vyžínací čepel otupí, nechte čepel zostřit pouze u kvalifikovaného servisního technika, nebo vyměňte podle potřeby za novou vyžínací čepel.

- Po každém použití křovinořezu vyčistěte řezací jednotku vlhkým hadříkem s jemným čisticím prostředkem.
- Na plastové pouzdro nebo rukojeť nepoužívejte žádné silné čisticí prostředky. Mohou být poškozeny některými aromatickými oleji, jako např. borovicovým nebo citronovým a rozpouštědly, jako např. petrolej. Vlhkost může rovněž způsobit riziko úrazu elektrickým proudem. Veškerou vlhkost setřete suchým měkkým hadrem.
- K čištění větracích otvorů na zadní části pouzdra použijte malý kartáč nebo malý vysavač.

SKLADOVÁNÍ STROJE

- Vyjměte akumulátor z nářadí.
- Použijte pevné rukavice pro důkladné vyčištění přístroje.
- Založte pouzdro čepele na 3-zubou čepel pro bezpečné uložení (obr. Y).
- Nářadí skladujte na suchém, dobře větraném, uzamčeném nebo vyvýšeném místě mimo dosah dětí. Nářadí neskladujte v blízkosti hnojiv, benzínu nebo jiných chemických látek.

Ochrana životního prostředí



Elektrické zařízení, nabíječku a baterie/ nabíjecí baterie nevhazujte do domovního odpadu!

Podle směrnice Evropského parlamentu a Rady 2012/19/EU se musí odpadní elektrická a elektronická zařízení a podle směrnice 2006/66/ES vadné nebo použité akumulátory/baterie sbírat odděleně.

Pokud se elektrická zařízení likvidují na zavážkách nebo skládkách, mohou do podzemní vody prosáknout nebezpečné látky, dostat se do potravního řetězce a poškodit tak vaše zdraví a zdravotní stav.

ES PROHLÁŠENÍ O SHODĚ

My, společnost EGO EUROPE GMBH
Wahlwiesenstrasse 1, D-71711 Steinheim an der Murr
Deutschland

Prohlašujeme, že výrobek **56 VOLTOVÝ LITHIUM-ION-TOVÝ KŘOVINOŘEZ S MOTORKOVOU RUKOJETÍ BC3800E** splňuje základní požadavky na ochranu zdraví a bezpečnost následujících směrnic:

2006/42/EC, 2014/30/EU, 2011/65/EU, 2000/14/EC

Uvedené normy a technické specifikace:

EN ISO 11806-1, EN 60745-1, EN 55014-1, EN 55014-2, IEC 62321.

| | Strunová hlava | 3-zubá kovová čepel |
|-------------------------------------|----------------|---------------------|
| Měřená hladina akustického výkonu: | 94,80 dB(A) | 94,04 dB(A) |
| Zaručená úroveň akustického výkonu: | 96 dB(A) | 96 dB(A) |

Postup posouzení shody přílohy VI je v souladu s 2000/14/EC.

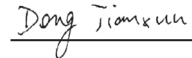
Obeznamovaný orgán: DEKRA Certification B.V. Meander
1051 / P.O. box 5185 6525 MJ ARNHEM / 6802 ED
ARNHEM, Netherlands

Číslo obeznamovaného orgánu: 0344

CZ



Peter Melrose
Výkonný ředitel EGO
Europe GmbH



Dong Jianxun
Manažer kvality společnosti
Chervon

* (Pověřený zástupce společnosti CHERVON odpovědný za technickou dokumentaci)

01/09/2017

ODSTRAŇOVÁNÍ PROBLÉMŮ

| PROBLÉM | PŘÍČINA | ŘEŠENÍ |
|----------------------|---|--|
| Nepodaří se spustit. | <ul style="list-style-type: none"> ■ Ke křovinořezu není připojen akumulátor. ■ Bez elektrického kontaktu mezi křovinořezem a akumulátorem. ■ Akumulátor je vybitý. ■ Páka pojistky a spoušť nejsou stisknuty současně. | <ul style="list-style-type: none"> ■ Připojte akumulátor na pohonnou hlavou. ■ Vyměňte baterii, zkontrolujte kontakty a vložte akumulátor, dokud nezapadne na své místo. ■ Nabijte akumulátor pomocí nabíječek EGO, které jsou uvedeny v tomto návodu k obsluze. ■ Zatlačte páčku pojistky, podržte ji a stisknutím spouště zapněte křovinořez. |
| Přestane pracovat. | <ul style="list-style-type: none"> ■ Motor je přetížen. ■ Je použita těžká žací struna. ■ Akumulátor nebo křovinořez jsou příliš horké. ■ Akumulátor je odpojený od nářadí. ■ Akumulátor je vybitý. | <ul style="list-style-type: none"> ■ Motor se zotaví po odstranění zátěže. Pro kontinuální práci snižte zatížení pohonné hlavy. ■ Používejte standardní nylonovou žací strunu s průměrem nejvíce 2,4 mm. ■ Nechejte akumulátor nebo křovinořez zchladnout, dokud teplota neklesne pod 67 °C. ■ Znovu nainstalujte akumulátor. ■ Nabijte akumulátor pomocí nabíječek EGO, které jsou uvedeny v tomto návodu k obsluze. |

CZ

| PROBLÉM | PŘÍČINA | ŘEŠENÍ |
|---|---|--|
| <p>Strunová hlava nevy- souvá strunu (pouze se strunovou hlavou).</p> | <ul style="list-style-type: none"> ■ Hřídel motoru nebo strunová hlava jsou zablokované trávou. ■ Na cívice není struna v dostatečné délce. ■ Strunová hlava je znečištěná. ■ Struna se na cívice zamotala. ■ Struna je příliš krátká. | <ul style="list-style-type: none"> ■ Zastavte stroj, vyjměte akumulátor a odstraňte trávu z hřídele motoru a strunové hlavy. ■ Vyjměte baterii a vyměňte strunu; dodržujte pokyny uvedené v části „VÝMĚNA STRUNY“ v tomto návodu. ■ Vyjměte akumulátor, vyčistěte cívku, držák cívky a spodní část cívky. ■ Vyjměte akumulátor, vymotejte strunu z cívky a znovu ji naviňte; dodržujte pokyny uvedené v části „VÝMĚNA STRUNY“ v tomto návodu. ■ Vyjměte baterii, zatáhněte za struny a současně poklepejte na regulátor struny. |

ZÁRUKA

ZÁRUKA SPOLEČNOSTI EGO

Úplné záruční podmínky společnosti EGO naleznete na webové stránce egopowerplus.com.

CZ

PREČÍTAJTE SI VŠETKY POKYNY!



PREČÍTAJTE SI NÁVOD NA OBSLUHU

⚠ Potenciálne riziká! Ľudia s elektronickými zariadeniami, ako sú napríklad kardiostimulátory, sa musia pred použitím tohto výrobku poradiť so svojim lekárom. Použitie elektrických zariadení v tesnej blízkosti kardiostimulátora by mohlo spôsobiť rušenie alebo zlyhanie kardiostimulátora.

⚠ VAROVANIE: Pre zaistenie bezpečnosti a spoľahlivosti je nevyhnutné, aby všetky opravy a výmeny vykonával len kvalifikovaný servisný technik.

BEZPEČNOSTNÉ SYMBOLY

Účelom bezpečnostných symbolov je upozorniť vás na možné nebezpečenstvá. Venujte príslušnú pozornosť a pochopte bezpečnostné symboly a ich vysvetlenia. Varovné symboly, samy o sebe, nedokážu eliminovať nebezpečenstvo. Pokyny a varovania, ktoré obsahujú, nie sú náhradou za vhodné opatrenia na prevenciu úrazov.

⚠ VAROVANIE: Pred použitím tohto nástroja si prečítajte a pochopte všetky bezpečnostné pokyny v tomto návode na obsluhu, vrátane všetkých bezpečnostných výstražných symbolov, ako sú „**NEBEZPEČENSTVO**“, „**VAROVANIE**“ a „**UPOZORNENIE**“. Nedodržanie nižšie uvedených pokynov môže mať za následok úraz elektrickým prúdom, požiar a/alebo vážne zranenie.

VÝZNAM SYMBOLU

⚠ BEZPEČNOSTNÝ VÝSTRAŽNÝ SYMBOL: Označuje **NEBEZPEČENSTVO**, **VAROVANIE** alebo **UPOZORNENIE**, ktorý môže byť použitý v spojení s inými symbolmi alebo piktogramami.



⚠ VAROVANIE: Prevádzka akéhokoľvek elektrického náradia môže viesť k vymršteniu cudzích predmetov do vašich očí, čo môže spôsobiť vážne poškodenie zraku. Skôr, ako začnete používať elektrické náradie, si vždy nasadte ochranné okuliare alebo ochranné okuliare s postrannými krytmi a prípadne celotvárový štít. Odporúčame použiť bezpečnostnú masku Wide Vision cez okuliare alebo štandardné bezpečnostné okuliare s postrannými krytmi.

BEZPEČNOSTNÉ POKYNY

Táto strana zobrazuje a popisuje bezpečnostné symboly, ktoré sa objavujú na tomto výrobku. Pred pokusom o zostavenie a prevádzkovanie si prečítajte, pochopte a dodržiavajte všetky pokyny na stroji.

| | | |
|--|--|--|
| | Bezpečnostné upozornenie | Upozorňuje na potenciálne nebezpečenstvo úrazu. |
| | Prečítajte si návod na obsluhu. | Ak chcete znížiť riziko zranenia, používateľ musí pred použitím tohto výrobku prečítať a pochopiť návod na obsluhu. |
| | Používajte ochranu zraku. | Pri práci s týmto výrobkom vždy noste ochranné okuliare alebo ochranné okuliare s postrannými krytmi a celotvárový štít. |
| | Používajte ochranu sluchu. | Vždy používajte ochranu sluchu (špunty do uší alebo slúchadlá), ktoré chránia váš sluch. |
| | Používajte ochranu hlavy. | Používajte schválenú bezpečnostnú prilbu na ochranu hlavy. |
| | Používajte ochranné rukavice. | Chráňte si ruky rukavicami pri manipulácii s čepeľou alebo chráničom čepele. Pevné a protišmykové rukavice zlepšujú uchopenie a chránia ruky. |
| | Používajte ochrannú obuv. | Pri používaní tohto zariadenia noste protišmykovú bezpečnostnú obuv. |
| | Pozor na spätný ráz | Upozorníte obsluhu na nebezpečenstvo spätného rázu. |
| | Odras o ostatné osoby v bezpečnej vzdialenosti | Vymrštené objekty sa môžu odraziť a mať za následok zranenie osôb alebo poškodenie majetku. Keď krovínorez používate, udržiajte od ostatných osôb a domácich zvierat bezpečnú vzdialenosť. |

SK

| | | |
|----------|--|---|
| | Udržiavajte okolostojace osoby v bezpečnej vzdialenosti. | Zabezpečte, aby ostatní ľudia a domáce zvieratá zostali vo vzdialenosti aspoň 15m od strunovej kosačky, keď sa používa. |
| | Bez okrúhlej čepele | Neinštalujte okrúhle rezacie čepele. |
| | Nevystavujte dažďu. | Nepoužívajte ani nenechajte vonku na daždi. |
| | CE | Tento výrobok je v súlade s platnými smernicami ES. |
| | WEEE | Nepotrebné elektrické výrobky sa nesmú likvidovať spolu s domovým odpadom. Odovzdajte do autorizovaného recyklačného strediska. |
| | Hľuchosť | Garantovaná hladina akustického výkonu. Emisie hluku do prostredia podľa smernice Európskeho spoločenstva. |
| V | Volt | Napätie |
| | Jednosmerný prúd | Typ alebo charakteristika prúdu |
| n_0 | Rýchlosť bez zaťaženia | Rýchlosť otáčania, bez záťaže |
| ... /min | Za minútu | Otáčky za minútu |

DŮLEŽITÉ BEZPEČNOSTNÉ POKYNY

⚠ VAROVANIE! Pri používaní tohto výrobku sa musia vždy dodržiavať základné bezpečnostné opatrenia pre zníženie rizika vzniku požiaru, úrazu elektrickým prúdom alebo poranenia osôb, vrátane nasledujúcich:

PRED POUŽITÍM SI POZORNE PREČITAJTE

ODLOŽTE SI PRE BUDÚCU POTREBU

⚠ NEBEZPEČENSTVO! Nespoliehajte sa izoláciu nástroja, ktorá má chrániť pred úrazom elektrickým prúdom. Ak chcete znížiť riziko úrazu elektrickým prúdom, nikdy nepoužívajte stroj v blízkosti akýchkoľvek drôtov alebo káblov (napájanie, atď.), ktoré môžu viesť elektrický prúd.

⚠ POZOR! Počas používania používajte vhodné osobné prostriedky na ochranu sluchu. Za určitých podmienok a dlhšom použití môže hluk z tohto výrobku prispieť k poškodeniu sluchu.

ŠKOLENIE

- Prečítajte si pozorne tieto pokyny. Zoznámte sa s ovládacími prvkami a správnym používaním stroja.
- Nikdy nedovoľte ľuďom, ktorí nie sú oboznámení s týmito pokynmi, alebo deťom používať stroj. Miestne predpisy môžu obmedzovať vek obsluhy.
- Majte na pamäti, že obsluha alebo používateľ nesie plnú zodpovednosť za nehody a nepredvídané udalosti voči iným osobám a ich majetku.

PRÍPRAVA

- Nikdy nepoužívajte tento výrobok v blízkosti osôb, najmä detí alebo zvierat.
- Používajte ochranu očí a pevné topánky po celú dobu používania náradia.
- Vzdialenosť medzi strojom a okolostojacími osobami musí byť najmenej 15 m.

PREVÁDZKA

- Krovínorez používajte iba za denného svetla alebo pri dobrom umelom osvetlení.
- Nikdy nepoužívajte krovínorez s poškodenými krytmi alebo štítmí, alebo bez nasadených krytov alebo štítov.
- Motor zapnite až vtedy, keď sú ruky a nohy mimo dosahu rezacích prostriedkov.
- Krovínorez vždy odpojte od napájania (t.j. vyberte akumulátor).
 - vždy, keď necháte krovínorez bez dozoru;
 - pred odstraňovaním zablokovania;
 - pred kontrolou, čistením alebo prácou na krovínoreze;
 - po zasiahnutí cudzieho predmetu;
 - vždy, keď začne krovínorez neobvykle vibrovať.
- Dávajte pozor na poranenia nôh a rúk rezacími prostriedkami.

SK

- Zabezpečte, aby ventilačné otvory boli čisté.

ÚDRŽBA A SKLADOVANIE

- Pred vykonávaním údržby alebo čistením odpojte krovínorez od napájania (t.j. vyberte akumulátor).
- Používajte len príslušenstvo a náhradné diely odporúčané výrobcom.
- Pravidelne krovínorez kontrolujte a udržiavajte. Nechajte stroj opraviť len u autorizovaného odborníka.
- Keď krovínorez nepoužívate, uskladnite ho mimo dosahu detí.

INÉ BEZPEČNOSTNÉ POKYNY

- **Udržujte deti v bezpečnej vzdialenosti** - Všetci návštevníci musia dodržiavať bezpečnú vzdialenosť najmenej 30 m od pracoviska.
- **Vyhňte sa nebezpečným prostrediam** - Nepoužívajte prístroje vo vlhkom alebo mokrom prostredí.
- **Vždy, keď necháte krovínorez bez dozoru, vypnite ho, alebo vyberte akumulátor.**
- **Nepoužívajte v daždi.**
- **Vhodne sa obliekajte** - Nenoste voľné oblečenie, šperky, krátke nohavice, sandále, ani nechodte bosí. Môžu byť zachytené pohybujúcimi sa časťami. Vždy noste pevné, dlhé nohavice a košeľu s dlhým rukávom. Pri práci vonku odporúčame používať gumové rukavice a pevnú obuv. Noste ochranu na dlhé vlasy, aby zostali nad úrovňou ramien.
- **Používajte ochranné okuliare** - Vždy používajte tvárový štít alebo prachovú masku, ak pracujete v prašnom prostredí.
- **Používajte správne náradie** - Nepoužívajte náradie na iný ako určený účel.
- **Krovínorez nepreťažujte** - Svoju prácu si bude robiť lepšie a s menšou pravdepodobnosťou rizika poranenia, ak sa použije určeným spôsobom.
- **Nepreceňujte svoje sily** - Za každých okolností udržiavajte pevnú postoj a rovnováhu.
- **Buďte pozorní** - Sledujte, čo robíte. Používajte zdravý rozum. Nepoužívajte krovínorez, ak ste unavení.
- **S krovínorezom nepracujte pod vplyvom alkoholu alebo iných návykových látok.**
- **Majte chrániče nasadené a vo funkčnom stave.**
- **Udržujte ruky a nohy v bezpečnej vzdialenosti od rezacieho priestoru.**

SK

- **Krovínorez skladujte vo vnútri** - Ak krovínorez nepoužívate, skladujte ho v interiéri na suchom, vyvýšenom alebo uzamknutom mieste s odstráneným akumulátorom - mimo dosahu detí.
- **Starostlivo udržiavajte krovínorez** - Udržiavajte rezacie príslušenstvo čisté pre najlepší výkon a zníženie rizika zranenia. Dodržiavajte pokyny pre výmenu príslušenstva. Udržujte rukoväte suché, čisté, bez oleja a maziva.
- **Skontrolujte poškodené diely** - Pred ďalším používaním krovínorezu musí byť chránič alebo iná časť, ktorá je poškodená, starostlivo skontrolovaná na správnu funkciu a plnenie jej zamýšľaného účelu. Skontrolujte vyrovnanie pohyblivých častí, pripojenie pohyblivých častí, poškodenie jednotlivých dielov, montáž a akékoľvek iné okolnosti, ktoré môžu mať vplyv na prevádzku nástroja. Chránič alebo iná časť, ktorá je poškodená, musí byť správne opravená alebo vymenená v autorizovanom servisnom stredisku, pokiaľ nie je uvedené inak v tejto príručke.
- **Uistite sa, že všetky spojovacie prvky sú na svojom mieste a sú upevnené. Uistite sa, že chránič rezacieho nástavca je správne pripojený a v polohe odporúčenej výrobcom.**
- **Pred každým použitím vyčistite oblasť, ktorá má byť rezaná.** Odstráňte všetky predmety, ako sú kamene, rozbité sklo, kince, drôty alebo šnúry, ktoré môžu byť vymrštené alebo môžu uviaznuť v rezacom nástavci. Zabráňte prístupu deťom, prítomným osobám a domácim zvieratám. Deti, prizerajúce osoby a domáce zvieratá udržiavajte vo vzdialenosti 15 m (50 ft); aj mimo 15 m (50 ft) pásma existuje stále nebezpečenstvo poranenia vymrštenými predmetmi. Okolostojace osoby by mali mať ochranu očí.
- **Pred použitím krovínorezu a po každom zásahu, skontrolujte, či nejaví známky opotrebovania alebo poškodenia a podľa potreby ho opravte.**
- **Vždy držte krovínorez pri používaní pevne obomi rukami na rukoväti. Palce a prsty obmotajte okolo rukoväti.**
- **Zabráňte nechcenému spusteniu** - Neprenášajte krovínorez s prstom na vypínači.
- **Nepoužívajte krovínorez v horľavom alebo výbušnom prostredí.** Motory v týchto zariadeniach bežne iskria a iskry by mohli vzniknúť výpary.
- **Poškodenie krovínorezu** - Ak zasiahnete cudzí predmet krovínorezom, alebo ak sa krovínorez zamotá, okamžite zastavte náradie, vyberte batériu z krovínorezu, skontrolujte poškodenie a akékoľvek poškodenie nechajte opraviť skôr, než sa pokúsite o ďalšiu prevádzku. Nepracujte s poškodeným krytom alebo rezacím príslušenstvom.

- V prípade, že náradie začne nezvyčajne vibrovať, vypnite motor, vyberte batériu z krovínorezu a ihneď zistite príčinu. Vibrácie zvyčajne upozorňujú na problém. Uvoľnená rezacia jednotka môže vibrovať, prasknúť, zlomiť sa alebo odletieť z krovínorezu, čo môže viesť k vážnemu alebo smrteľnému zraneniu. Uistite sa, že rezacia jednotka je správne nainštalovaná a pevne pripevnená. Ak sa rezacia jednotka uvoľní po upravení v danej polohe, ihneď ju vymeňte. Nikdy nepoužívajte krovínorez s uvoľnenou rezacou jednotkou.
- Ihneď vymeňte prasknutú, poškodenú alebo opotrebovanú rezaciu jednotku, aj keď je poškodenie obmedzené na povrchové praskliny. Táto jednotka sa môže pri vysokej rýchlosti roztrieštiť a spôsobiť vážne alebo smrteľné zranenie.
- Za účelom zníženia rizika zranenia nikdy nepracujte na rebríku alebo na inom nestabilnom podklade. Nikdy nedržte rezaciu jednotku nad úrovňou pásu.
- Nikdy nepoužívajte iné drôty namiesto nylonových rezacích strún; kusy drôtu sa môžu odlomiť a vymrštiť vysokou rýchlosťou smerom k obsluhu alebo okolostojacim.
- Udržujte pevný postoj a rovnováhu. Nepreťažujte sa. Udržujte rezaciu jednotku pod úrovňou pásu. Udržujte všetky časti tela mimo dosahu rezacej jednotky.
- Počas prevádzky kontrolujte rezaciu jednotku v pravidelných krátkych intervaloch, alebo ihneď, ak vznikne nápadná zmena v charakteristike rezania.
- Používajte iba schválené EGO polymérové rezacie struny a čepeľové príslušenstvo, struny a čepele, ktoré sú určené na použitie s týmto krovínorezom. Niektoré neschválené jednotky môžu byť veľmi nebezpečné a/alebo poškodzujúce náradie.
- Ak sa k vám niekto blíži, ihneď vypnite motor a rezaciu jednotku.
- Upozorníte obsluhu na nebezpečenstvo spätného rázu čepele (len pre 3-zubovú čepeľ).
 - K spätnému rázu môže dôjsť pri kontakte otáčajúcej sa čepele s objektom, ktorý nie je okamžite prerezaný.
 - Spätný ráz môže byť dosť silný, aby spôsobil pohyb prístroja a/alebo používateľa v ľubovoľnom smere a môže tiež viesť k strate kontroly nad prístrojom.
 - K spätnému rázu môže dôjsť bez varovania, ak sa čepeľ zadrhne, zastaví alebo zasekne.
 - Spätný ráz je pravdepodobnejší v oblastiach, kde je náročné vidieť rezaný materiál.

- Nepripojujte žiadnu čepeľ na prístroj bez správnej inštalácie všetkých potrebných dielov. Ak sa nepoužijú správne diely, môže dôjsť k odleteniu čepele a vážnemu poraneniu obsluhu a/alebo okoloidúcich. Vyhodte čepele, ktoré sú ohnuté, zdeformované, popraskané, rozbité alebo inak akokoľvek poškodené. Používajte ostré čepele. Tupá čepeľ sa viac pravdepodobne zachytí a vykoná spätný ráz (len pre 3-zubovú čepeľ).
- Akumulátor likvidujte bezpečným spôsobom.
- Voľnobežná čepeľ/struna môže spôsobiť zranenie, keď sa ďalej otáča potom, čo je motor zastavený alebo spúšť uvoľnená. Dodržujte náležitú kontrolu, pokiaľ čepeľ/struna celkom nezastaví svoje otáčanie.
- Nedobíjajte akumulátor v daždi alebo vo vlhkom prostredí.
- Používajte iba EGO akumulátory a nabíjačky uvedené nižšie:

| AKUMULÁTOROVÁ BATÉRIA | NABÍJAČKA |
|---|--------------------|
| BA1120E, BA1400, BA2240E, BA2800, BA3360, BA4200, BAX1300 | CH2100E CH5500E |

- Pred likvidáciou vyberte akumulátor zo spotrebiča.
- Batérie nevyhadzujte do ohňa. Články môžu explodovať. Pozrite si miestne vyhlášky so špeciálnymi pokynmi na likvidáciu.
- Neotvárajte alebo nepoškodzuje batérie. Uvoľnený elektrolyt je žieravina a môže spôsobiť poškodenie očí alebo kože. Môže byť toxická pri požití.
- Pri manipulácii s batériami buďte opatrní, aby nedošlo ku skratovaniu batérie vodivými materiálmi, ako sú prstene, náramky a kľúče. Batérie alebo vodiče sa môžu prehriať a spôsobiť popálenie.
- Náhradné diely - Pri opravách používajte výhradne originálne náhradné diely spoločnosti EGO. Použitie iného príslušenstva alebo prídavného zariadenia môže zvýšiť riziko poranenia.
- Nástroje na batérie nemusia byť zapojené do elektrickej zásuvky; preto sú vždy v prevádzkovom stave. Buďte si vedomí možných rizík, aj keď sa nástroj nepoužíva. Buďte opatrní pri vykonávaní údržby alebo servisu.
- Odstráňte a odpojte akumulátor pred vykonávaním údržby, čistením alebo odstraňovaním materiálu z krovínorezu.
- Neumývajte s hadicou; zabráňte tomu, aby sa voda dostala do motora a elektrických prípojk.

SK

- Ak sa vyskytnú situácie, ktoré nie sú zahrnuté v tomto návode, dávajte pozor a použite zdravý úsudok. Obráťte sa na zákaznicke servisné stredisko EGO pre pomoc.

ODLOŽTE SI TIETO POKYNY!

TECHNICKÉ ÚDAJE

| | | |
|---|--------------------------------|---|
| Rezacia jednotka | Strunová hlava | 3-zubová kovová čepeľ |
| Napätie | 56 V | 56 V |
| Rýchlosť naprázdno | 4500-6000/min | 4500-6000/min |
| Typ rezacej struny | 2,4 mm nylónová stočená struna | / |
| Rezacia čepeľ | / | ABB1203 |
| Rezná šírka | 38 cm | 30 cm |
| Hmotnosť (Bez batérie) | 4,35 kg | 4,64 kg |
| Hladina akustického výkonu L_{WA} | 94,80 dB(A); K=1,01 dB(A) | 94,04 dB(A); K=1,71 dB(A) |
| Hladina akustického tlaku v pozícii obsluhy L_{PA} | 80,2 dB(A); K=2,5 dB(A) | 80,0 dB(A); K=4,1 dB(A) |
| Garantovaná hladina akustického výkonu L_{WA} (meraná podľa 2000/14/EC) | 96 dB(A) | 96 dB(A) |
| Ohodnotenie vibrácií ah | Ľavá rukoväť | 2,28 m/s ² ; K=1,5 m/s ² |
| | Pravá rukoväť | 2,38 m/s ² ; K=1,5 m/s ² |

- Uvádzaná celková hodnota vibrácií bola meraná v súlade so štandardnou skúšobnou metódou a môže byť použitá na porovnanie jedného zariadenia s iným;
- Uvádzaná celková hodnota vibrácie sa môže použiť aj na predbežný odhad expozície.

POZNÁMKA: Emisia vibrácií pri skutočnom používaní náradia sa môže odlišovať od deklarovanej hodnoty, pri akej sa nástroj používa; Za účelom ochrany obsluhy má používateľ v skutočných podmienkach použitia nosiť rukavice a ochranu sluchu.

OBSAH BALENIA

| NÁZOV DIELU | MNOŽSTVO |
|--------------------------|----------|
| Krovinorez | 1 |
| 3-zubová čepeľ s puzdrom | 1 |
| Zostava chrániča | 1 |
| Matica | 1 |
| Vonkajšia príruha | 1 |
| Imbusový kľúč | 1 |
| Multifunkčný kľúč | 1 |
| Dvojamenný popruh | 1 |
| Návod na obsluhu | 1 |

POPIS

ZOZNÁMTE SA S KROVINOREZOM (obr. A)

1. Páčka pre obmedzenie rýchlosti
2. Poistná páčka
3. Kridlová skrutka
4. Spúšťač
5. Pomocná rukoväť
6. Hriadeľ
7. Rezacia struna
8. Zostava chrániča
9. Strunová hlava
10. Tesniaca skrutka
11. Otvor pre zaistenie hriadeľa
12. Príslušenstvo chrániča
13. Multifunkčný kľúč
14. Imbusový kľúč
15. 3-zubová čepeľ
16. Vonkajšia príruha
17. Matica
18. Uvolňovacie tlačidlo
19. Ochranná gumová podložka
20. Západka
21. Elektrické kontakty
22. Vysúvací mechanizmus
23. Pracka popruhu
24. Bočná opierka

SK

VAROVANIE: Nikdy nepoužívajte náradie bez nasadeného ochranného krytu. Chránič musí byť vždy na nástroji pre ochranu používateľa.

VAROVANIE: Ak je nástroj vybavený strunovou hlavou, musí sa namontovať zostava chrániča strunovej čepele na chránič. Nedodržanie tohto pokynu môže mať za následok príliš dlhú reznú líniu a preťaženie motora. Nikdy nepoužívajte strunovú hlavu bez zostavy chrániča.

MONTÁŽ

VAROVANIE: Ak akýkoľvek diel chýba, alebo je poškodený, nepoužívajte tento krovínorez, kým nie sú vymenené diely. Ak používate krovínorez s poškodenými alebo chýbajúcimi časťami, môže dôjsť k vážnemu zraneniu.

VAROVANIE: Nepokúšajte sa upravovať krovínorez, alebo vytvoriť príslušenstvo, ktoré nie je odporúčané pre tento výrobok. Každá takáto zmena alebo modifikácia sa považuje za zneužitie a môže spôsobiť nebezpečný stav, ktorý vedie k možnému vážnemu zraneniu.

VAROVANIE: Vždy používajte pevné rukavice pri inštalácii alebo odstraňovaní čepele alebo vykonávaní akejkoľvek údržby na 3-zubovej čepeľi/strunovej čepeľi. Dávajte pozor na strunovú čepeľ na zostave chrániča/3-zubovú čepeľ a chráňte svoje ruky pred poranením ostrím.

VAROVANIE: Aby sa zabránilo náhodnému spusteniu, ktoré by mohlo viesť k vážnemu zraneniu, vždy vyberte akumulátor z nástroja pri montáži dielov a preprave náradia.

VAROVANIE: Náradie nikdy nepoužívajte bez správne nainštalovaného chrániča a prednej pomocnej rukoväte. Nedodržanie tohto pokynu môže viesť k možnému vážnemu poraneniu.

MONTÁŽ A NASTAVENIE POMOCNEJ RUKOVÄTE

Krovínorez je položený, ako je znázornené na obr. B. Najprv povoľte krídlovú skrutku na spojovacom kĺbe a zdvihnite pomocnú rukoväť o 180 ° okolo hriadeľa (obr. C), otočte o 90 ° proti smeru hodinových ručičiek tak, aby bola oproti strunovej hlave (obr. D). Nakoniec ju posuňte dozadu a späť na dosiahnutie pohodlnej pracovnej polohy a dotiahnite skrutku.

POZNÁMKA: Je povolené používať stroj len s rukoväťou kolmo na hriadeľ.

MONTÁŽ CHRÁNIČA

Povoľte a odstráňte dve skrutky zo základne hriadeľa (obr. E), vyrovnajte montážne otvory chrániča s montážnymi otvormi a pripevnite chránič na základňu hriadeľa s dvoma skrutkami a dvoma pružnými podložkami (obr. F).

Zabezpečte, aby bol chránič pripevnený podľa obr. E a F.

Akékoľvek iné upevnenie spôsobí veľké nebezpečenstvo!

VÝMENA STRUNOVEJ HLAVY ZA 3-ZUBOVÚ ČEPEĽ

Postupujte podľa pokynov na obr. H-1 – obr. H-4 (pozrite si časť „výmena struny“) pre demontáž strunovej hlavy (obr. G). Ak chcete pripojiť čepeľ, postupujte podľa nasledujúcich krokov:

1. Montáž kovovej čepeľovej jednotky (obr. I).
2. Odstráňte príslušenstvo chrániča uvoľnením troch skrutiek s podložkou (obr. J).
3. Čepeľ sa dodáva s puzdrom. Pred montážou čepele na krovínorez zložte puzdro uvoľnením upínacieho drôtu z háčika na puzdre (obr. K).

Popis dielov na obr. G-K si pozrite nižšie:

| | | | |
|-----|------------------|-----|------------------------|
| G-1 | Vnútorá príruha | I-3 | Kryt príruby |
| G-2 | Kryt príruby | I-4 | 3-zubová čepeľ |
| G-3 | Horný kryt ASSY | I-5 | Vonkajšia príruha |
| G-4 | Podložka | I-6 | Matica |
| G-5 | Matica | I-7 | Drážka v prírube |
| G-6 | Pružina | J-1 | Strunová čepeľ |
| G-7 | Rezacia struna | J-2 | Príslušenstvo chrániča |
| G-8 | Spodný kryt ASSY | K-1 | Upínací drôt |
| I-1 | Motorový hriadeľ | K-2 | Háčik |
| I-2 | Vnútorá príruha | | |

SK

POZNÁMKA: Nasadte si rukavice pred akoukoľvek činnosťou s 3-zubovou čepeľou ako ochranu pred zranením.

4. Otočte motorový hriadeľ a vyrovnajte štrbinu vo vnútornej prírube s otvorom pre zaistenie hriadeľa v prevodovej skrini (obr. L).
5. Vložte imbusový kľúč do zarovnaných otvorov ako stabilizátor (obr. M).

Popis dielov na obr. L a M si pozrite nižšie:

| | | | |
|-----|---|-----|------------------|
| L-1 | Prevodová skriňa | L-3 | Motorový hriadeľ |
| L-2 | Zarovnané otvory pre zaistenie hriadeľa | M-1 | Stabilizátor |

6. Namontujte čepeľ na hriadeľ motora tak, aby povrch čepele bol v jednej rovine s povrchom výklenku vnútornej príruby. Namontujte vonkajšiu prírubu a maticu (obr. N). Uťahnete rukou predbežne maticu PROTI SMERU hodinových ručičiek.

Popis dielov na obr. N si pozrite nižšie:

| | |
|-----|-------------------|
| N-1 | Matica |
| N-2 | Vonkajšia prírubu |
| N-3 | 3-zubová čepeľ |

7. Položte prevodový skriňu na pevnú podložku pre podporu. S jednou rukou pridržte hriadeľ krovinoresu a druhou rukou uchopíte multifunkčný kľúč a utiahnite maticu v smere šípky vyznačenej na vonkajšej prírubu (obr. O).

POUŽITIE ZOSTAVY CHRÁNIČA

POZNÁMKA: Ak je krovinores vybavený strunovou hlavou, musí sa namontovať zostava chrániča na chránič.

Pripevnite zostavu chrániča na chránič dotiahnutím troch skrutiek šesťhranným kľúčom, pretože strunová čepeľ sa upína na zostavu chrániča. Nedodržanie tohto pokynu môže mať za následok príliš dlhú reznú líniu a preťaženie motora.

OBSLUHA

VAROVANIE: Nedovoľte, aby ste sa po zoznámení s týmto výrobkom stali neopatrnými. Zapamätajte si, že zlomok sekundy neopatrnosti postačuje na spôsobenie vážneho poranenia.

VAROVANIE: Vždy používajte ochranu zraku spolu s chráničmi sluchu. Ak tak neurobíte, môže dôjsť k vymršteniu predmetov do očí a iným možným vážnym zraneniam.

VAROVANIE: Nepoužívajte žiadne prídavné zariadenia alebo príslušenstvo, ktoré nie sú odporúčané výrobcom tohto výrobku. Používanie prídavných zariadení alebo príslušenstva, ktoré nie sú odporúčané, môže viesť k vážnemu zraneniu.

POUŽITIE

Krovinores môžete použiť na nižšie uvedené účely:

- **S 3-zubovou kovovou čepeľou:** Rezanie trávy, buriny, divokého porastu a krovín, prerézavanie mladých porastov s maximálnym priemerom kmeňa 2 cm.
- **So strunovou hlavou:** Osekávanie trávy a buriny okolo prístreškov, plotov a plošín.

POZNÁMKA: Nástroj sa musí používať len na predpísané účely. Každé iné použitie sa považuje za prípad zneužitia.

INŠTALÁCIA /ODPOJENIE AKUMULÁTORA

Nabíte pred prvým použitím.

Inštalácia

Zarovnajte rebrovanie akumulátora s montážnymi drážkami a zatlačte akumulátor dole, kým nebudete počuť „cvaknutie“ (Obr. P).

Odpojenie

Stlačte tlačidlo pre uvoľnenie akumulátora a vytiahnite ho von.(Obr. O).

Popis dielov na obr. P si pozrite nižšie:

| | |
|-----|-----------------|
| P-1 | Montážna drážka |
| P-2 | Rebrovanie |

MONTÁŽ DVOJRAMENNÉHO POPRUHU A DRŽANIE STROJA

Dajte si dvojramenný popruh cez rameno a vložte dve časti spony popruhu do seba, pokiaľ nezacvaknú (obr. R-1). Vyrovnajte háčik bočnej opierky do otvoru trubkovej svorky upevnenej na hriadeľi a jemne stlačte hriadeľ (obr. R-2 a R-3 a R-4).

Držte strunovou kosačkou oboma rukami na pravej strane tela (obr. S). Strunová hlava alebo čepeľ má byť rovnobežná so zemou v správnej rezacej vzdialenosti bez toho, aby sa operátor nakláňal.

Uvoľnenie krovinoresu je možné dosiahnuť dvomi spôsobmi. Uvoľnite pracku popruhu (obr. T), alebo stlačte háčik popruhu a vyberte ho z trubkovej svorky pripevnenej na hriadeľi (obr. R-2).

VAROVANIE: Ak dôjde k núdzovej situácii, ihneď si odopnite popruh zo svojho ramena bez ohľadu na to, akým spôsobom je popruh pripnutý. Najrýchlejšia metóda uvoľnenia je uvoľnenie pracky popruhu (obr. T) a vyvlečenie oboch rúk na oboch stranách.

VAROVANIE: Nepoužívajte súčasne jednoduchý a zdvojený ramenný popruh.

SPUSTENIE/ZASTAVENIE KROVINOREZU

Spustenie

Stlačte dole poistnú páčku a podržte ju v tejto polohe. Stlačte spúšťač pre štart (obr. U).

Rôzny prítlak na spúšťač znamená premenlivú rýchlosť otáčania rezacej jednotky. Ak je to nutné, nastavte rýchlosť pomocou páčky pre obmedzenie rýchlostí.

POZNÁMKA: Páčka pre obmedzenie rýchlosti sa môže použiť tiež pre obmedzenie chodu spúšťača.

Zastavenie

Uvoľnite spúšťač.

POZNÁMKA: Motor sa spustí len vtedy, keď sú poistná páčka a spúšťač naraz stlačené.

VAROVANIE: Počas pracovných prestávok a po ukončení práce vždy vyberte akumulátor zo strunovej kosačky.

POUŽÍVANIE STROJA

VAROVANIE: Oblečte sa vhodne pre prácu s krovínorezom, aby sa znížilo riziko poranenia. Nenoste šperky alebo voľný odev. Používajte ochranu očí a sluchu. Oblečte si odolné, dlhé nohavice, vysoké topánky a rukavice. Nenoste krátke nohavice, sandále alebo nebuďte naboso.

Pred prácou sa rozhlídnite okolo seba s cieľom zaistiť bezpečnosť pracovného priestoru bez iných ľudí, zvierat alebo akýchkoľvek cudzích predmetov. Uistite sa, že sú najmenej vo vzdialenosti 15 m. Používajte ochranu očí, správne oblečenie a rovnovážny postoj.

Pred každým použitím skontrolujte, či nie sú poškodené/opotrebované diely. Skontrolujte strunovú hlavu, 3-zubovú čepeľ, kryt, zostavu krytu, prednú pomocnú rukoväť, dvojramenný popruh a vymeňte diely, ktoré sú prasknuté, zdeformované, ohnuté alebo inak poškodené. Strunová čepeľ na okraji zostavy chrániča sa v priebehu času utupí. Odporúčame, aby ste ju pravidelne prebrúšili pilníkom, alebo ju nahradili za novú čepeľ.

Po každom použití dôkladne vyčistite krovínorez.

SO STRUNOVOU HLAVOU

Nastavenie dĺžky rezacej struny

Strunová hlava umožňuje obsluhu predĺžiť rezáciu strunu bez zastavenia motora. Ak sa struna rozstrapká alebo opotrebuje, je možné počas používania kosačky vysunúť ďalšiu strunu ľahkým poklepaním gombíka hlavy o zem (obr. V).

POZNÁMKA: Vysúvanie struny sa stáva ťažšie, keď sa rezacia struna skrácuje.

VAROVANIE: Neodstraňujte alebo nemeňte zostavu strunovej rezacej čepele. Nadmerná dĺžka struny môže spôsobiť prehriatie motora a môže dôjsť k vážnemu zraneniu.

Výmena struny

POZNÁMKA: Vždy používajte odporúčanú nylonovú strunu s priemerom, ktorý nepresahuje 2,4 mm. Použite inej struny, než je uvedená, môže spôsobiť prehriatie alebo poškodenie krovínorezu.

VAROVANIE: Nikdy nepoužívajte kovom vystužené struny, drôty, šnúry atď. Môžu sa odtrhnúť a stať sa nebezpečnými projektilmi.

1. Vyberte akumulátor.
2. Odstráňte zvyšnú strunu, ak je to nutné.
3. Podľa potreby otočte držiak cievky v smere šípky, vyrovnajte značku LOAD na držiaku cievky s očkami na základni cievky (obr. W-1).
4. Odrežte 5 metrov struny a vložte strunu do montážneho otvoru vo vnútri oka (obr. W-2). Pretlačte a vytiahnite strunu z druhej strany, pokiaľ nebude rovnaká dĺžka struny na oboch stranách cievky (obr. W-3).
5. Zatláčte a otáčajte držiak cievky v smere šípky, aby sa struna navinula na cievku, až pokiaľ nezostane približne 14 cm struny na každej strane (obr. W-4).
6. Zatláčte dole držiak cievky pri ručnom vyťahovaní strún a skontrolujte správne zloženie strunovej hlavy.

Keď sa rezacia struna odtrhne na výstupe struny alebo sa rezacia struna nevysunie pri poklepaní na hlavu kosačky, postupujte podľa nasledujúcich krokov:

1. Vyberte akumulátor.
2. Stlačte dve uvoľňovacie zarážky na základni cievky a priamo vytiahnite von držiak cievky (obr. H-1 a H-2).
3. Odstráňte strunu z držiaka cievky.
4. Jednou rukou pridržte základňu cievky, druhou rukou uchopte držiak cievky a vyrovnajte zarážky na držiaku cievky s otvormi v základni cievky (obr. X-1); dlahou stlačte a otáčajte držiak cievky doľava a doprava, kým zarážky nezapadnú do základne cievky (obr. X-2).
5. Natiahnite rezáciu strunu.

S 3-ZUBOVOU KOVOVOU ČEPEĽOU

VAROVANIE: Ak chcete orezať divoký porast a kroviny, znížte rotujúcu 3-zubovú čepeľ k porastu, aby sa dosiahol účinok sekania. Použite krovínorez ako kosu (prechádzajte vpravo a vľavo) na úrovni terénu. Nedržte rezáciu jednotku nad úrovňou pásu.

VAROVANIE: Čím vyššie je rezacia jednotka nad zemou, tým väčšie je riziko poranenia z odrezkov vymrštených do strán.

VAROVANIE: Pri rezaní mladých porastov alebo iných drevených materiálov až do 2 cm v priemere použite ľavú stranu čepele, aby sa zabránilo situáciám so spätným rázom. Nepokúšajte sa rezať drevné hmoty s väčším priemerom, pretože sa čepeľ môže zachytiť alebo šklbnúť krovínorez dopredu. Mohlo by dôjsť k poškodeniu čepele alebo krovínorezu alebo k strate kontroly nad krovínorezom, čo vedie k poraneniu osôb.

SK

⚠ VAROVANIE: Nesprávne použitie čepele môže viesť k jej prasknutiu, odštiepeniu alebo roztriešeniu. Vymrštené časti môžu vážne poraniť obsluhu či okolie. Aby sa znížilo riziko poranenia osôb, je nutné prijať nasledujúce opatrenia:

- Vyhýbajte sa kontaktu s tvrdými alebo cudzími pevnými objektmi, ako sú kamene, skaly alebo kusy kovu.
- Nikdy nerezte drevo alebo kríky s priemerom kmeňa väčším ako 2 cm.
- Kontrolujte čepeľ v pravidelných krátkych intervaloch na poškodenie. Nepokračujte v práci s poškodenou čepeľou.
- Pravidelne brúste čepeľ (ak sa nápadne otupila) a majte ju vyváženú v prípade potreby (vykonáva iba kvalifikovaný servisný technik).

Spätný ráz čepele

Buďte veľmi opatrní pri použití 3-zubovej čepele s týmto prístrojom. Spätný ráz je reakcia, ktorá môže nastať, keď sa otáčajúca čepeľ dostane do kontaktu s niečím, čo nedokáže prerezať. Tento kontakt môže spôsobiť, že čepeľ sa na okamih zastaví a naraz „odhodí“ prístroj do väčšej vzdialenosti od predmetu, ktorý bol zasiahnutý. Táto reakcia môže byť dostatočne prudká, aby spôsobila stratu kontroly obsluhy nad prístrojom. K spätnému rázu môže dôjsť bez varovania, ak sa čepeľ zadrhne, zastaví alebo zasekne. K tomu môže častejšie dôjsť v oblastiach, kde je náročné vidieť rezaný materiál. Pre jednoduchosť a bezpečnosť rezania sa priblížite k rezanej burine s krovínorezom sprava doľava. V prípade kontaktu s neočakávaným objektom alebo dreveným prínikom by táto prax mohla minimalizovať spätý ráz čepele.

SK

ÚDRŽBA

⚠ VAROVANIE: Pred kontrolou, čistením alebo údržbou prístroja zastavte motor, počkajte, kým sa všetky pohyblivé diely zastavia a vyberte akumulátor. Nedodržanie týchto pokynov môže viesť k vážnemu zraneniu alebo poškodeniu majetku.

⚠ VAROVANIE: Pri servise používajte iba identické náhradné diely. Použitie iných častí môže vyvolať nebezpečenstvo, alebo spôsobiť poškodenie výrobku. Pre zaistenie bezpečnosti a spoľahlivosti je nevyhnutné, aby všetky opravy vykonával len kvalifikovaný servisný technik.

CELKOVÁ ÚDRŽBA

Na čistenie plastových dielov nepoužívajte rozpúšťadlá. Väčšina plastov je náchylná na poškodenie z rôznych typov komerčných rozpúšťadiel a môžu sa poškodiť, ak sa použijú. Použite čisté handry na odstránenie nečistôt, prachu, oleja, maziva, atď.

ČISTENIE STROJA

- Po každom použití 3-zubovej čepele/strunovej hlavy odstráňte mäkkou kefou sutinu, upchanú zeminu alebo trávu na čepeľi a chrániči.

POZNÁMKA: Keď sa strunová čepeľ otupí, nechajte čepeľ zostríť len u kvalifikovaného servisného technika, alebo vymeňte podľa potreby za novú strunovú čepeľ.

- Po každom použití krovínorezu vyčistite rezáciu jednotku vlhkou handričkou s jemným čistiacim prostriedkom.
- Nepoužívajte žiadne silné čistiace prostriedky na plastový kryt alebo rukoväť. Môžu byť poškodené určitými aromatickými olejmi, ako je borovica a citrón, a rozpúšťadlami, ako je petrolej. Vlhkosť môže tiež spôsobiť nebezpečenstvo úrazu elektrickým prúdom. Akúkoľvek vlhkosť poutierajte mäkkou a suchou handrou.
- Použite malú kefu alebo malý vysávač na vyčistenie vetracích otvorov na zadnom kryte.

USKLADNENIE STROJA

- Vyberte akumulátor z náradia.
- Použite pevné rukavice na dôkladné vyčistenie prístroja.
- Zložte puzdro čepele na 3-zubovú čepeľ pre bezpečné uskladnenie (obr. Y).
- Prístroj skladujte na suchom a dobre vetranom uzamknutom alebo vyvýšenom mieste mimo dosahu detí. Náradie neskladujte v blízkosti hnojív, benzínu alebo iných chemikálií.

Ochrana životného prostredia



Nevyhadzujte elektrické zariadenia, nabíjačku batérií a batérie/akumulátory do domového odpadu!

Podľa európskej smernice 2012/19/EU elektrické a elektronické zariadenia, ktoré už nie sú použiteľné a podľa európskej smernice 2006/66/EC chybné alebo použité akumulátory/batérie sa musia zhromažďovať oddelene.

Ak sú elektrické spotrebiče likvidované na neorganizovaných skládkach alebo smetiskách, môžu nebezpečné látky unikať do podzemných vôd, dostať sa do potravinového reťazca a poškodzovať zdravie.

VYHLÁSENIE O ZHODE ES



My, EGO EUROPE GMBH

Wahlwiesenstrasse 1, D-71711 Steinheim an der Murr Deutschland

Vyhlasujeme, že výrobok **56 VOLTOVÝ LÍTIUM-IÓNOVÝ KROVINOREZ S MOTORKOVOU RUKOVÄŤOU BC3800E** spĺňa základné požiadavky na ochranu zdravia a bezpečnosti podľa týchto smerníc:

2006/42/EC, 2014/30/EU, 2011/65/EU, 2000/14/EC

Uvedené normy a technické špecifikácie:

EN ISO 11806-1, EN 60745-1, EN 55014-1, EN 55014-2, IEC 62321.

| | Strunová hlava | 3-zubová kovová čepeľ |
|---|----------------|-----------------------|
| Nameraná hladina akustického výkonu: | 94,80 dB(A) | 94,04 dB(A) |
| Garantovaná hladina akustického výkonu: | 96 dB(A) | 96 dB(A) |

Postup posudzovania zhody prílohy VI je podľa 2000/14/EC.

Notifikovaný orgán: DEKRA Certification B.V. Meander 1051 / P.O. box 5185 6525 MJ ARNHEM / 6802 ED ARNHEM, Netherlands

Číslo notifikovaného orgánu: 0344

Peter Melrose
Výkonný riaditeľ
EGO Europe GmbH

Dong Jianxun
Manažér kvality spoločnosti
Chervon

SK

* (Autorizovaný zástupca pre spoločnosť Chervon a osoba zodpovedná za technickú dokumentáciu)

01/09/2017

ODSTRAŇOVANIE PROBLÉMOV

| PROBLÉM | PRÍČINA | RIEŠENIE |
|----------------------|---|--|
| Nepodarí sa spustiť. | <ul style="list-style-type: none"> ■ Akumulátor nie je pripojený do krovinorezu. ■ Bez elektrického kontaktu medzi krovinorezom a akumulátorom. ■ Akumulátor je vybitý. ■ Poistná páčka a spínač nie sú súčasne stlačené. | <ul style="list-style-type: none"> ■ Pripojte akumulátor na pohonnú hlavu. ■ Vyberte batériu, skontrolujte kontakty a vložte akumulátor, pokiaľ nezapadne na svoje miesto. ■ Nabite akumulátor pomocou nabíjačiek EGO, ktoré sú uvedené v tomto návode na obsluhu. ■ Pre zapnutie krovinorezu zatlačte poistnú páčku a podržte ju, potom stlačte vypínač. |
| Prestane pracovať. | <ul style="list-style-type: none"> ■ Motor je preťažený. ■ Je použitá príliš ťažká struna. ■ Akumulátor alebo krovinorez sú príliš horúce. ■ Akumulátor je odpojený od nástroja. ■ Akumulátor je vybitý. | <ul style="list-style-type: none"> ■ Motor sa zotaví po odstránení záťaže. Pre kontinuálnu prácu znížte zaťaženie pohonnej hlavy. ■ Používajte štandardnú nylonovú strunu s priemerom najviac 2,4 mm. ■ Nechajte akumulátor alebo krovinorez vychladnúť, pokým teplota neklesne pod 67 °C. ■ Znovu vložte akumulátor. ■ Nabite akumulátor pomocou nabíjačiek EGO, ktoré sú uvedené v tomto návode na obsluhu. |

SK

| PROBLÉM | PRÍČINA | RIEŠENIE |
|--|---|---|
| Strunová hlava nevysúva strunu (len pre strunovú hlavu). | <ul style="list-style-type: none"> ■ Tráva sa namotala na hriadeľ motora alebo hlavu kosačky. ■ Na cievke nie je dostatok struny. ■ Strunová hlava je znečistená. ■ Struna je zamotaná na cievke. ■ Struna je príliš krátka. | <ul style="list-style-type: none"> ■ Zastavte stroj, vyberte batériu a odstráňte trávu z hriadeľa motora a hlavy kosačky. ■ Vyberte batériu a vymeňte strunu; postupujte podľa časti „VÝMENA STRUNY“ v tomto návode na obsluhu. ■ Vyberte batériu a vyčistite cievku, držiak cievky a základňu cievky. ■ Vyberte batériu a vymeňte strunu; postupujte podľa časti „VÝMENA STRUNY“ v tomto návode na obsluhu. ■ Vyberte batériu a vytiahnite strunu a zároveň striedavo pritláčajte gombík hlavy. |

ZÁRUKA

ZÁRUČNÁ POLITIKA EGO

Navštívte webové stránky egopowerplus.com pre úplné podmienky záručnej politiky spoločnosti EGO.

SK

OLVASSA EL AZ ÖSSZES UTASÍTÁST!



OLVASSA EL A HASZNÁLATI ÚTMUTATÓT

⚠ Maradék kockázat! Az elektronikus készülékekkel, például pacemakerrel, élő emberek a termék használata előtt kérjék ki orvos véleményét. Az elektromos felszerelés a szív pacemakerhez közel való működtetése interferenciát vagy meghibásodást okozhat a pacemakerben.

⚠ FIGYELMEZTETÉS: A biztonságosság és megbízhatóság biztosítása érdekében minden javítást szakképzett szerviztechnikus hajtson végre.

BIZTONSÁGI SZIMBÓLUMOK

A biztonsági szimbólumok célja, hogy felhívják a figyelmet az esetleges veszélyekre. Nagyon figyeljen a biztonsági szimbólumokra és magyarázatokra, ill. ezek megértésére. A szimbólumok figyelmeztetése önmagukban nem hártják el a veszélyeket. Az utasítások és figyelmeztetések nem helyettesítik a megfelelő balesetmegelőző intézkedéseket.

⚠ FIGYELMEZTETÉS: A szerszám használata előtt feltétlenül olvassa el a jelen használati útmutató minden biztonsági utasítását, a „VESZÉLY”, „FIGYELMEZTETÉS” és „FIGYELEM” biztonsági szimbólumokat is. Az alább felsorolt utasítások nem tartása áramütést, tűzveszélyt és/vagy súlyos személyi sérülést idézhet elő.

HU

SZIMBÓLUM JELENTÉSE

⚠ BIZTONSÁGI SZIMBÓLUM: VESZÉLYT vagy **FIGYELMEZTETÉST** jelöl. Más szimbólumokkal vagy rajzokkal együtt használható.



⚠ FIGYELMEZTETÉS: Bármely elektromos kéziszerszám működtetése azzal járhat, hogy idegen tárgyak szembe kerülnek, amely súlyos szemsérüléseket okozhat. Az elektromos kéziszerszám működtetése előtt, mindig vegyen fel oldalsó védőlemezrel ellátott védőszemüveget és a teljes védőálarcot, ha szükséges. Javasoljuk, hogy viseljen Wide Vision Safety Mask-öt (védőálarc) a védőszemüveg fölött vagy standard védőszemüveget oldalsó védőlemezrel.

BIZTONSÁGI UTASÍTÁSOK

Ezen az oldalon olyan biztonsági szimbólumok láthatók és olvashatók, amelyek megjelenhetnek a terméken. Az összeszerelés vagy működtetés előtt olvassa el, érte se meg és tartsa be a gép minden utasítását.

| | | |
|--|--|--|
| | Biztonsági figyelmeztetés | Potenciális személyi sérülés veszélyét jelzi. |
| | Olvassa el a használati útmutatót | A sérülések kockázatának csökkentése érdekében a használaton a termék használata előtt el kell olvasnia, és meg kell értenie a használati útmutatót. |
| | Viseljen szemvédőt | Mindig viseljen védőszemüveget vagy oldalsó védőlemezrel ellátott védőszemüveget és teljes védőálarcot a termék működtetése közben. |
| | Viseljen fülvédőt | Mindig viseljen hallásvédőt (füldugót vagy hallásvédőt) a hallása védelme érdekében. |
| | Viseljen fejevédőt | Viseljen hivatalos biztonsági kemény sisakot a feje védelme érdekében. |
| | Viseljen védőkesztyűt | Védje a kezét kesztyűvel, amikor a pengét vagy pengevédőt kezeli. A nagy teherbírású, csúszásmentes kesztyű segít a fogásban, és védi a kezét. |
| | Viseljen védő lábbelit. | Viseljen csúszásgátló cipőt, amikor a készüléket használja. |
| | Ügyeljen a penge lököerejére | Figyelmeztesse a kezelőt a penge lököerejére. |
| | Visszapattanás és tartsa távol a nézelődőket | A visszapattanó tárgyak súlyos személyi sérülést vagy anyagi kárt okozhatnak. Ügyeljen arra, hogy más személyek és a háziállatok távol legyenek a fűkasza használata közben. |

| | | |
|----------|----------------------------|--|
| | Tartsa távol a nézelődőket | Ügyeljen arra, hogy más személyek és a háziállatok legalább 15 m távolságban legyenek a motoros láncfűrész használatában közben. |
| | Nem kerek penge | Ne szereljen fel kerek vágópengét. |
| | Ne tegye ki eső hatásának | Ne használja esőben, és hagyja kint, ha esik az eső. |
| | CE | A termék megfelel az érvényes EK irányelveknek. |
| | WEEE | Az elhasznált elektromos termékek nem helyezhetők a háztartási hulladék közé. Vigye hivatalos újrahasznosító telephelyre. |
| | Zaj | Garantált hangteljesítményszint. Környezetre ható zajkibocsátás a Európai Közösség irányelve szerint. |
| V | Volt | Feszültség |
| | Egyenáram | Áram típusa vagy jellemzői |
| n_0 | Üresjárat fordulat/szám | Forgási sebesség üresjáraton |
| ... /min | Percenként | Fordulat percenként |

FONTOS BIZTONSÁGI ELŐÍRÁSOK

⚠ FIGYELMEZTETÉS! A termék használata közben mindig tartsa be a következő alapvető biztonsági óvintézkedéseket a tűz, áramütés és személyi sérülések kockázatának csökkentése érdekében, a következőket is beleértve:

HASZNÁLAT ELŐTT FIGYELMESEN OLVASSA EL ŐRIZZE MEG KÉSŐBBI HASZNÁLATRA.

⚠ VESZÉLY! Ne hagyatkozzon kizárólag a szerszám áramütés elleni szigetelésére. Az áramütés kockázatának csökkentése érdekében soha ne működtesse a gépet vezetékek vagy kábelek (hálózati stb.) közelében, amelyek elektromos áramot vezethetnek.

⚠ FIGYELEM! Használat közben viseljen megfelelő személyes hallásvédőt. Bizonyos körülmények között és használati idő után a termék halláskárosodást okozhat.

GYAKORLÁS

- Körültekintően olvassa el az utasításokat. Ismerje meg a gép szabályozását és helyes használatát.
- Ne engedélyezze a gép használatát gyermekeknek vagy olyan személyeknek, akik nem ismerik ezeket az utasításokat. A helyi rendelkezések korlátozásokat tartalmazhatnak a szerszám működtetőjének életkorára vonatkozóan.
- Ne feledje, hogy a szerszám működtetője a felelős azokért a balesetekért vagy veszélyekért, amelyek más embereket érintenek vagy mások vagyontárgyait érintik.

ELŐKÉSZÍTÉS

- Soha ne működtesse a terméket, ha emberek, különösen gyermekek, vagy kis állatok vannak a közelben.
- A termék működtetése közben mindig viseljen védőszemüveget és vastagtalpu cipőt.
- A gép és a nézelődők közötti távolság legalább 15 m legyen.

ÜZEMELTETÉS

- Csak nappali világosságnál vagy megfelelő mesterséges megvilágítás mellett használja a fűkasztát.
- Soha ne üzemeltesse a fűkasztát sérült védőelemekkel vagy pajzsokkal vagy a helyükön lévő védőelemek és pajzsok nélkül.
- A motort csak akkor kapcsolja be, ha a kezei és lábai távol vannak a vágóeszközöktől.
- Mindig húzza ki a fűkasztát a hálózati aljzatból (pl. vegye le az akkumulátoregységet),
 - ha felügyelet nélkül hagyja a fűkasztát;
 - mielőtt megszüntetne egy eltömődést;
 - mielőtt ellenőrizi, tisztítja vagy bármilyen más munkát végez a fűkasztán,
 - ha idegen tárgyba akadt;
 - ha a fűkasza szokatlan módon elkezd rázkódni.

- Legyen óvatos, nehogy a vágószerszám megsebesítse a kezét vagy lábát.
- Mindig gondoskodjon arról, hogy a szellőzőnyílások hulladéktól mentesek legyenek.

KARBANTARTÁS ÉS TÁROLÁS

- Mindig húzza ki a fűkasztát a hálózati aljzatból (pl. vegye le az akkumulátoregységet) karbantartás vagy tisztítás előtt.
- Csak a gyártó által javasolt pótalkatrészeket és tartozékokat használja.
- Rendszeresen ellenőrizze a fűkasztát, és végezzen karbantartást. A gép javítását csak felhatalmazott szerelő végezheti el.
- Gyermekek által hozzá nem férhető helyen tárolja a fűkasztát, amikor nem használja azt.

EGYÉB BIZTONSÁGI FIGYELMEZTETÉSEK

- **A gyermekeket tartsa távol** – Minden vendéget legalább 15 m távolságban tartson a munkaterülettől.
- **Kerülje a veszélyes környezetet** – Ne használja a készülékeket nedves vagy vizes lejtőkön.
- **Mindig kapcsolja ki a fűkasztát, vagy vegye ki az akkumulátoregységet, ha felügyelet nélkül hagyja a szerszámot.**
- **Ne használja esőben.**
- **Viseljen megfelelő ruhát** – Ne viseljen laza ruházatot, ékszert, rövidnadrágot, szandált, és ne járjon mezítláb. Beakadhatnak a mozgó alkatrészekbe. Mindig viseljen erős, hosszú szárú nadrágot és hosszú ujjú pólót. Amikor kint dolgozik, gumikesztyű és megfelelő cipő viselése javasolt. Viseljen védőhálót a hajához, hogy a hosszú haját vállmagasság felett fel tudja kötni.
- **Viseljen védőszemüveget** – Mindig használjon arc- vagy porvédő maszkot, ha a működtetés porral jár.
- **Használja a megfelelő készüléket** – Ne használja a fűnyírót más munkához, csak amihez készült.
- **Ne erőltesse a fűkasztát** – jobban és biztonságosabban, sérülések alacsonyabb kockázatával dolgozhat a megadott teljesítményhatárokon belül.
- **Ne hajtáljon túl** – Vegyen fel stabil testhelyzetet, és mindig tartsa meg az egyensúlyát.
- **Legyen figyelmes** – figyeljen oda arra, amit csinál. Használja a józan eszét. Ne használja a fűkasztát, ha fáradt.
- **Ne működtesse a fűkasztát alkohol vagy kábítószer hatása alatt.**
- **Tartsa a helyén és működőképesen a védőburkolatot.**

- **A kezét és lábát tartsa távol a vágási területtől.**
- **A fűkasztát beltéren tárolja** – Amikor nem használja a fűkasztát, akkor tárolja beltéren száraz és magas vagy elzárt helyen, az akkumulátoregység ne legyen benne – és tartsa gyermekektől elzárva.
- **A fűkasztát óvatosan tartsa karban** – A legjobb teljesítmény és a sérülésveszély csökkentése érdekében tartsa tisztán a vágóegységet. Tartsa be a tartozékok cseréjére vonatkozó utasításokat. Tartsa szárazon, tisztán, olajtól és zsírtól mentesen a fogantyúkat.
- **Ellenőrizze a sérült alkatrészeket** – A fűkasza használata előtt gondosan ellenőrizze a sérült védőburkolatot vagy alkatrészt, hogy megállapítsa, megfelelően működik-e, és a funkciójának megfelelő teljesítményt nyújtja-e. Ellenőrizze a mozgó részek beállítását és rögzítését, vizsgáljon meg minden részt, nem sérült-e, és ellenőrizze, nem állnak-e fenn olyan körülmények, amelyek befolyásolhatják a helyes kezelést. Megfelelő módon javíttassa meg vagy cseréltesse ki egy hivatalos szervizközpontban a sérült védőburkolatot vagy más alkatrészt, ha másként nincs feltüntetve a jelen használati útmutatóban.
- **Ellenőrizze, hogy minden rögzítő a helyén és rögzítve van-e. Ellenőrizze, hogy a vágóegység védőlemeze megfelelően és a gyártó által javasolt pozícióban van-e csatlakoztatva.**
- **Minden használat előtt tisztítsa meg a nyírándó területet.** Távolítson el minden tárgyat, pl. követ, törött üveget, tűt, vezetéket vagy zsinórt, amely beakadhat a vágóegységbe. A területen ne legyenek gyermekek, nézelődők vagy állatok. A gyermekeket, nézelődőket és állatokat tartsa legalább 15 m (50 ft) sugarú távolságban, a repülő tárgyak sérülést okozhatnak. A nézelődők is viseljenek védőszemüveget.
- **Mielőtt ismételten használni kezdené a fűkasztát ütközés után, vizsgálja meg a készüléket elkopás vagy sérülés szempontjából, szükség esetén javíttassa meg.**
- **Működés közben mindig tartsa stabilan, két kézzel a fűkasztát. Helyezze az ujjait a fogantyúk köré.**
- **Kerülje a véletlenszerű indítást** – A fűkasza szállítása közben ne legyenek az ujjai a triggeren.
- **Ne működtesse a fűkasztát benzines vagy robbanékony környezetben.** A készülékben lévő motorok szikrákat képeznek, a szikrák pedig lángra gyúlhatnak.
- **A fűkasza sérülése** – Ha a fűkasza idegen tárgyhoz ütődik, vagy valamibe beakad, akkor azonnal állítsa le a szerszámot, vegye ki az akkumulátoregységet a fűkaszból, ellenőrizze, hogy nem sérült-e meg, és bármilyen sérülést javítson meg a további működtetés előtt. Ne működtesse törött védőburkolattal vagy vágóegységgel.

- Ha a felszerelés rendellenesen vibrálni kezd, akkor azonnal állítsa le a motort, és vegye ki az akkumulátoregységet a fűkaszából, és azonnal ellenőrizze ennek okát. A vibráció általánosságban problémára figyelmeztet. A laza vágóegység vibrálhat, megrepedhet, eltörhet vagy lejöhet a fűkaszáról, amely súlyos vagy végzetes sérülést okozhat. Győződjön meg arról, hogy a vágóegység megfelelően van-e felszerelve, és biztonságosan van-e rögzítve. Ha a vágóegység rögzítés után kilazul, azonnal cserélje ki. Soha ne használja a fűkaszát laza vágóegységgel.
- Azonnal cserélje ki a repedt, sérült vagy kopott vágóegységet, akkor is, ha a sérülés csak felületi repedéseket jelent. Az ilyen egység nagy sebességen darabokra törhet, és súlyos vagy végzetes sérülést okozhatnak.
- A sérülések kockázatának csökkentése érdekében soha ne dolgozzon létrán vagy más nem biztonságos támasztékon. Soha ne tartsa a vágóegységet derékmagasságon felül.
- Soha ne használjon más vezetékét a nylon vágószál helyett, a zsinór darabjai letörhetnek, nagy sebességnél a kezelő vagy a nézelődők felé repülhetnek.
- Legyen stabil és kiegyensúlyozott testhelyzetben. Ne hajoljon túl. A vágóegységet tartsa derékmagasság alatt. Tartsa távol testének minden részét a forgó vágóegységtől.
- Működés közben ellenőrizze a vágóegységet rendszeresen, rövid időközönként, vagy azonnal, ha látható a vágás láthatóan megváltozik.
- Csak az EGO által engedélyezett polimer vágószál és penge tartozékokat és olyan vágószálakat, pengéket használjon, amelyek ehhez a fűkaszához készültek. Néhány nem engedélyezett egység rendkívül veszélyes lehet, és/vagy megrongálhatja az egységet.
- Amikor Ön felé közeledik valaki, állítsa le a motort és a vágóegységet.
- Figyelmeztesse a kezelőt a penge lökörejére (csak 3 fogú pengére szerelhető).
 - A penge akkor kaphat lökést, ha olyan tárgyba ütközik, amelyet nem tud azonnal elvágni.
 - A penge lökése révén az egység és/vagy a kezelő bármely irányba elfordulhat, és egyensúlyát veszítheti.
 - A penge előzetes jel nélkül is lököerőt fejthet ki, ha a penge elakad, leáll vagy megakad.
 - A penge nagyobb valószínűséggel fejt ki lököerőt, olyan területeken, ahol nehezen látható a vágandó anyag.

- Ne csatlakoztasson pengét az egységre, amíg minden szükséges alkatrész megfelelően fel nincs szerelve. Amennyiben nem megfelelő alkatrészeket használ, akkor a penge lerepülhet, és súlyos sérüléseket okozhat a kezelőnek és/vagy nézelődőknek. A behajlott, repedt, törött vagy sérült pengét ártalmatlanítsa. Használjon éles pengét. A tompa penge nagyobb valószínűséggel akad el, és fejt ki lököerőt (csak 3 fogú pengével való használat).
- Az akkumulátoregységet biztonságosan kell ártalmatlanítani.
- A leálló penge/vágószál sérülést okozhat, miközben még forog, miután a motor leállt, vagy megnyomta a triggert. Tartsa meg az irányítást, amíg a penge/vágószál teljesen abba nem hagyta a forgást.
- Ne töltsé az akkumulátoregységet esőben vagy nedves helyiségekben.
- Csak a lent felsorolt EGO akkumulátoregységeket és töltőket használja.

| AKKUMULÁTOREGYSÉG | TÖLTŐ |
|---|--------------------|
| BA1120E, BA1400, BA2240E, BA2800, BA3360, BA4200, BAX1300 | CH2100E CH5500E |

- Az akkumulátoregységet ki kell venni, mielőtt kicselejtezi a készüléket.
- Az akkumulátorokat tűzbe dobni tilos! Az akkumulátorok felrobbanhatnak. Ellenőrizze a lehetséges speciális ártalmatlanítási utasítások helyi kódját.
- Ne nyissa ki, és ne rongálja meg az akkumulátort. A felszabaduló elektrolit maró hatású, és sérülést okozhat a szemben vagy a bőrön. Lenyelve mérgező lehet.
- Bánjon nagyon óvatosan az akkumulátorokkal, hogy ne zárja rövidre olyan vezetőképes anyagokkal, mint a gyűrűk, karkötők és kulcsok. Az akkumulátor vagy a konduktor túlmelegedhet, és égési sérülést okozhat.
- Cserealkatrészek - Javításkor használjon azonos EGO pótalkatrészeket. Bármilyen másik tartozék vagy alkatrész használata megnöveli a sérülések kockázatát.
- Az akkumulátorral működő szerszámokat nem kell hálózati aljzathoz csatlakoztatni; ezért mindig működőképes állapotban vannak. Ügyeljen a lehetséges veszélyekre, akkor is, ha a szerszám nem működik. Legyen óvatos karbantartás és szervizelés közben.
- A fűkasza szervizelése, tisztítása vagy anyagok eltávolítása előtt vegye ki, vagy húzza ki az akkumulátoregységet.

- Ne mossa tömlővel; ne kerüljön víz a motorba és az elektromos csatlakozásokba.
- Amennyiben olyan helyzet adódik, amely nem szerepel a jelen használati útmutatóban, akkor óvatosan és kellő mérlegeléssel cselekedjen. Forduljon az EGO ügyfélszolgálathoz segítségért.

ŐRIZZE MEG EZEKET AZ UTASÍTÁSOKAT

MŰSZAKI ADATOK

| | | |
|--|------------------------------|---|
| Vágóegység | Fűkasza fej | 3 fogú fém penge |
| Feszültség | 56 V | 56 V |
| Üresjárat fordulatszám | 4500-6000 /min | 4500-6000 /min |
| Vágószál típusa | 2,4 mm nylon sodort vágószál | / |
| Vágópenge | / | ABB1203 |
| Vágósszélesség | 38 cm | 30 cm |
| Súly (Akkumulátor-egység nélkül) | 4,35 kg | 4,64 kg |
| Mért hangteljesítményszint L_{WA} | 94,80 dB(A); K=1,01 dB(A) | 94,04 dB(A); K=1,71 dB(A) |
| Hangnyomásszint a kezelő pozíciójában L_{PA} | 80,2 dB(A); K=2,5 dB(A) | 80,0 dB(A); K=4,1 dB(A) |
| Nivel de putere sonoră garantat L_{WA} (măsurat în conformitate cu 2000/14/CE) | 96 dB(A) | 96 dB(A) |
| Vibráció értéke a_n | Balos fogó | 2,28 m/s ² ; K=1,5 m/s ² |
| | Bal oldali nyél | 2,38 m/s ² ; K=1,5 m/s ² |

- Valoarea totală declarată a vibrațiilor a fost măsurată în conformitate cu o metodă standard de testare și poate fi utilizată pentru compararea sculelor între ele;
- Valoarea totală declarată poate fi utilizată în evaluarea preliminară a expunerii.

OBSERVAȚIE: Vibrațiile emise în timpul utilizării efective a sculei electrice pot diferi față de valoarea celor declarate pentru scula utilizată; Pentru protejarea operatorului, utilizatorul trebuie să poarte mănuși și protecții auditive în timpul utilizării efective a produsului.

CONTINUTUL AMBALAJULUI

| DENUMIRE PIES | CANTITATE |
|---------------------------|-----------|
| Fűkasza | 1 |
| 3 fogú penge tokkal | 1 |
| Védőburkolat egység | 1 |
| Csavar | 1 |
| Külső perem | 1 |
| Imbuszkulcs | 1 |
| Multifunkciós csavarkulcs | 1 |
| Dupla vállsúly | 1 |
| Használati útmutató | 1 |

DESCRIERE

ISMERJE MEG A FŰKASZÁT (A. ábra)

1. Sebességszabályozó kar
2. Kikapcsoló kar
3. Szárnyas anya
4. Trigger
5. Kétkaros fogantyú
6. Tengely
7. Vágószál
8. Védőburkolat egység
9. Fűkasza fej
10. Rögzítőcsavar
11. Tengelyrögzítő lyuk
12. Védőburkolat tartozék
13. Multifunkciós csavarkulcs
14. Imbuszkulcs
15. 3 fogú penge
16. Külső perem
17. Csavar
18. Kioldógomb
19. Gumi alátét
20. Zár
21. Elektromos csatlakozások
22. Kioldó mechanizmus
23. Szij csat
24. Csípővédő párna

FIGYELMEZTETÉS: Soha ne működtesse a szerszámot, ha a védőburkolat nincs megfelelően a helyén. A védőburkolatnak mindig a szerszámon kell lennie a használó védelme érdekében.

FIGYELMEZTETÉS: Ha a szerszám fűkasza fejjel van felszerelve, akkor a védőburkolat egységet fel kell szerelni a vágószállal/pengével a védőburkolatra. Amennyiben nem ezt teszi, akkor túl hosszú lehet a vágószál, és túlterheli a motort. Soha ne használja a fűkasza fejet védőburkolat egység nélkül.

ÖSSZESZERELÉS

FIGYELMEZTETÉS: Ha bármely alkatrész sérült vagy hiányzik, akkor ne működtesse a fűkaszt, amíg az alkatrészeket ki nem cserélik. A fűkasza sérült vagy hiányzó alkatrészekkel való használata súlyos személyes sérülést okozhat.

FIGYELMEZTETÉS: Ne próbálja megváltoztatni a fűkaszt, és ne készítsen hozzá tartozékokat, amelyek nem javasoltak ehhez a termékhez. Bármilyen módosítás vagy változtatás helytelen használatnak minősül, és veszélyes feltételeket teremthet, amely súlyos személyi sérüléssel végződhet.

FIGYELMEZTETÉS: Mindig viseljen kesztyűt, amikor a védőburkolatot fel- vagy leszereli, vagy karbantartást végez a 3 fogú pengén/vágószálon. Legyen óvatos a védőburkolat alatt lévő pengével/3 fogú pengével, és védje a kezét a pengék vágásától.

FIGYELMEZTETÉS: A véletlenszerű indítás elkerülése érdekében, amely súlyos személyi sérülést okozhat, mindig vegye ki az akkumulátoregységet a szerszámból, amikor összeszereli az alkatrészeket, vagy a gépet szállítja.

FIGYELMEZTETÉS: Soha ne működtesse a szerszámot, ha a védőburkolat és a kétkaros fogantyú nincs megfelelően a helyén. Amennyiben ezt nem tartja be, akkor súlyos személyi sérülést okozhat.

A KÉTKAROS FOGANTYÚ FELSZERELÉSE ÉS BEÁLLÍTÁSA

A fűkaszt a B. ábrán látható módon tárolja. Először oldja ki a szárnyas anyát a csatlakozón, majd emelje meg a kétkaros fogantyút 180°-ban a tengely körül (C ábra), fordítsa el 90°-ban az óramutató járásával ellentétes irányba, hogy az ütközőfej irányába nézzen (D ábra). Végül mozgassa oda-vissza, hogy megtalálja a kényelmes munkapozíciót, és húzza meg a csavart.

MEGJEGYZÉS: A gép csak a tengelyre merőleges kétkaros fogantyúval működtethető.

VÉDŐBURKOLAT FELSZERELÉSE

Lazítsa meg, és vegye le a két csavart a tengely talpán (E ábra), illessze a rögzítőfuratokat a szerelési lyukakba, majd rögzítse a védőburkolatot a tengely talpához a két csavarral és két rugós alátéttel (F ábra).

Ellenőrizze, hogy a védőburkolat a E és F ábrának megfelelően rögzítve van-e, a fordított rögzítés nagy veszélyt okozhat!

A 3 FOGÚ PENGÉVEL RENDELKEZŐ FŰKASZA FEJ CSERÉJE

A fűkasza fej szétszereléséhez ismerje meg a fűkasza fejet (G ábra), és kövesse a H-1 és H-4 ábrán látható lépéseket (lásd a „Vágószál cseréje” fejezetet). A penge felszereléséhez kövesse az a lenti lépéseket:

1. A fém penge egység felszerelése (I ábra).
2. Vegye le a védőburkolat egységet a három alátétes csavar kioldásával (J ábra).
3. A pengét tokkal szállítjuk. Mielőtt felszereli a pengét a fűkaszára, a tokot le kell venni, ehhez akassza ki a rögzítőkapcsot a tokon lévő kampóból (K ábra).

Az G-K ábra alkatrészeinek leírását lásd lent:

| | | | |
|-----|------------------------------|-----|--------------------------|
| G-1 | Belső perem | I-3 | Perem burkolat |
| G-2 | Perem burkolat | I-4 | 3 fogú penge |
| G-3 | Felső burkolat SZERELVÉNY | I-5 | Belső perem |
| G-4 | Alátétlemez | I-6 | Csavaranya |
| G-5 | Csavaranya | I-7 | Perem nyílása |
| G-6 | Rugó | J-1 | Vágópenge |
| G-7 | Vágószál | J-2 | Védőburkolat tartozék |
| G-8 | Alsó burkolat SZERELVÉNY | K-1 | Rögzítőkapocs |
| I-1 | Motortengely | K-2 | Kampó |
| I-2 | Belső perem | | |

MEGJEGYZÉS: Mielőtt bármilyen művelet hajtana végre a 3 fogú pengével, a sérülések megelőzése érdekében viseljen kesztyűt.

4. Fordítsa el a motor tengelyt, hogy a belső peremen lévő nyílást a tengelyrögzítő lyukkal szerelvényburkolathoz illessze (L ábra).
5. Helyezze az imbuszkulcsot az összeillesztett nyílásokba, hogy stabilizálóként használja (M ábra).

Az L és M ábra alkatrészeinek leírását lásd lent:

| | | | |
|-----|---------------------------------------|-----|--------------|
| L-1 | Szerelvényburkolat | L-3 | Motortengely |
| L-2 | Összeillesztett tengelyrögzítő lyukak | M-1 | Stabilizátor |

- Szerelje fel a pengét a motor tengelyre, ellenőrizze, hogy a penge felülete a perem belső szél Szerelje fel a külső peremet és anyát (N ábra). Kézzel húzza meg kissé az anyát az ÓRAMUTATÓ JÁRÁSÁVAL ELLENKEZŐ irányba.

Az N ábra alkatrészeinek leírását lásd lent:

| | |
|-----|--------------|
| N-1 | Csavaranya |
| N-2 | Külső perem |
| N-3 | 3 fogú penge |

- Helyezze a szerelvényburkolatot erős felületre a támasztás érdekében. Az egyik kezével fogja meg a fűkasza tengelyt, a másik kezével pedig fogja meg a multifunkciós csavarkulcsot az anyának a nyíl ikon irányába való meghúzásához, amelynek iránya a külső peremen látható (O ábra).

VÉDŐBURKOLAT TARTOZÉK HASZNÁLATA

MEGJEGYZÉS: Ha fűkasza fűkasza fejjel van felszerelve, akkor a védőburkolat tartozékot fel kell szerelni a védőburkolatra.

Rögzítse a védőburkolat egységet, mivel a vágószerű vágó penge a védőburkolatra van felszerelve. Amennyiben nem ezt teszi, akkor túl hosszú lehet a vágószerű, és túlterheli a motort.

MŰKÖDTETÉS

FIGYELMEZTETÉS: Ne hagyja, hogy a termékkel szerzett jártassága miatt óvatlanná váljon. Emlékezzon arra, hogy a másodperc töredéke alatt történő óvatlanság súlyos sérülést okozhat.

FIGYELMEZTETÉS: Mindig viseljen védőszemüveget és hallásvédőt. Amennyiben nem ezt teszi, tárgyak repülhetnek a szemébe, és más komoly sérülések keletkezhetnek.

FIGYELMEZTETÉS: Ne használjon a gyártó által nem javasolt tartozékokat a termékhez. A nem javasolt tartozékok használata súlyos személyes sérülést okozhat.

ALKALMAZÁSOK

A fűkaszt az alábbi célokra használhatja:

- 3 fogú fém pengével:** Amennyiben fűvet, dudvát, vadhajtat és bozótot vág, akkor legfeljebb 2 cm vastag szárazakat vágjon.
- Sövénynyíró fejjel:** Kapualjak, kerítések és burkolatok körül lévő fű és dudva vágásához.

MEGJEGYZÉS: A szerszámot csak az előírt célokra használja. Bármilyen más használat, például szélek vágása, helytelen használatnak minősül.

AZ AKKUMULÁTOREGYSÉG BEHELYEZÉSE/ KIVÉTELE

Az első használat előtt teljesen töltsé fel.

Felszerelés

Illessze az akkumulátor vázát az akkumulátorban lévő szerelőnyíláshoz, és nyomja le az akkumulátoregységet, amíg kattánást nem hall (M ábra).

Leszerelés

Oldja ki az akkumulátor kioldógombot és az akkumulátoregységet (Q ábra).

Az P ábra alkatrészeinek leírását lásd lent:

| | |
|-----|---------------|
| P-1 | Szerelőnyílás |
| P-2 | Rács |

DUPLA VÁLLSZÍJ FELSZERELÉSE ÉS A GÉP TARTÁSA

Vegye fel a dupla vállszijat, és dugja össze a két vállszijs csatot, amíg kattánást nem hall (R-1 ábra). Illessze a csípővédő párna kampóját a tengely csövén lévő akasztóba, és finoman nyomja le a tengelyt (R-2 & R-3 & R-4 ábra).

Tartsa a fűkaszt két kézzel a teste jobb oldalán (S ábra). A fűkasza fej vagy a penge megfelelő vágási távolságban legyen párhuzamos a talajjal, a kezelő ne hajoljon fölé.

A fűkaszt kétféleképpen tudja kioldani: Nyomja meg a csatot a szíjon (T. ábra), és vegye le a csőről, amely a tengelyre van rögzítve (R-2. ábra).

FIGYELMEZTETÉS: Ha vészhelyzet adódik, akkor azonnal vegye le a válláról, függetlenül attól, hogy van feltéve a szíj. Nyomja meg a csatot a szíjon (T. ábra), és két kézzel gyorsan vegye le mindkét szíjat, ez egy gyors levételei mód.

FIGYELMEZTETÉS: Ne használja a szimpla vállszijat és dupla vállszijat egyidejűleg.

A FÚKASZA INDÍTÁSA/LEÁLLÍTÁSA

Indítás

Nyomja meg és tartsa lenyomva a kapcsoló gombot, és tartsa ebben a pozícióban. Az indításhoz nyomja meg a trigger (U ábra).

Ha különböző erősséggel nyomja meg a trigger, akkor az egység változó sebességgel működik. Szükség esetén állítsa be a sebességszabályozó kart a maximális sebesség beállításához.

MEGJEGYZÉS: A sebességszabályozó kar előre beállítható a trigger kevesebb működtetése érdekében.

Leállítás

Oldja ki a triggert.

MEGJEGYZÉS: A motor csak akkor működik, ha a kapcsoló gombot és a trigger is megnyomja.

▲ FIGYELMEZTETÉS: Mindig vegye ki az akkumulátoregységet a fűkaszból, ha megszakítja a munkát, és a munka elvégzése után.

A GÉP HASZNÁLATA

▲ FIGYELMEZTETÉS: Megfelelően öltözzön fel a sérülések kockázatának csökkentése érdekében, amikor a fűkaszt működteti. Ne viseljen laza ruházatot vagy ékszereket. Viseljen védőszemüveget és fülvédőt; Viseljen erős, hosszú szárú nadrágot, cipőt és kesztyűt. Ne viseljen rövidnadrágot, szandált, és ne járjon mezítláb.

Működtetés előtt nézzen szét, hogy a munkaterület biztonságos legyen, és ne legyenek rajta más személyek, állatok vagy laza tárgyak. Ellenőrizze, hogy legalább 15 m-re legyenek. Majd ellenőrizze a védőszemüveget, a megfelelő ruházatot és a megfelelő testhelyzetet.

A sérült/kopott alkatrészek ellenőrzése minden használat előtt. Ellenőrizze a fűkasza fejet, a 3 fogú pengét, a védőburkolat tartozékot és A dupla válszíjat, és cserélje ki a repedt, behajolt vagy sérült alkatrészeket. A védőburkolat tartozék szélén lévő vágópengé egy idő után tompa lehet. Javasoljuk, hogy időnként élezze meg reszelővel, vagy cserélje ki új pengére.

Minden használat után tisztítsa meg a fűkaszt

HASZNÁLAT FÚKASZA FEJEL

A vágás hosszának beállítása

A fűkasza fej lehetővé teszi a kezelőnek, hogy a motor leállítása nélkül oldjon ki vágószálat. Ha a szál kopott vagy elhasználódott, akkor kiegészítő szál oldható ki, ha enyhén megnyomja az ütköző gombot a fűkasza működése közben (V ábra).

MEGJEGYZÉS: A vágószál kioldása egyre nehezebb, ha a vágószál rövidebb lesz.

▲ FIGYELMEZTETÉS: Ne távolítsa el, és ne változtassa meg a vágóegységet. A felesleges hossz miatt a motor túlmelegszik, amely súlyos sérülést okozhat.

A vágószál cseréje

MEGJEGYZÉS: Mindig a javasolt nylon vágószálat használja, amelynek átmérője nem használja meg a 2,4 mm-t. Ha nem ilyet használ, akkor a fűkasza túlmelegedhet, vagy megsérülhet.

▲ FIGYELMEZTETÉS: Soha ne használjon fémmel merevített szálat, zsinórt, vezetéket stb. Ezek eltörhetnek, és veszélyesek lehetnek a szétröppenő részek miatt.

1. Vegye le az akkumulátoregységet.
2. Vegye le a maradék vágószálat, ha szükséges.
3. Forgassa az orsó rögzítőelemét a nyílall jelzett irányába, ha szükséges, hogy behelyezze a BEFŰZŐ szálat az orsó rögzítőelemébe az orsó alapján lévő fűzőlyukban (W-1 ábra).
4. Vágjon le 5 m hosszú vágószálat, és helyezze a vágószálat a fűzőlyuk rögzítőlyukának belsejébe (W-2 ábra). Húzza és tolja a vágószálat a másik oldalról, amíg egyenlő mennyiség nincs az orsó két oldalán (W-3 ábra).
5. Nyomja, miközben az orsó rögzítőelemét a nyíl irányába forgatja, hogy a vágószálat az orsóra tekerje, amíg körülbelül 14 cm nem marad mindkét oldalán (W-4 ábra).
6. Nyomja le az orsó rögzítőelemét, miközben húzza a vágószálat, hogy kézzel beállítsa, és ellenőrizze a fűkasza fej megfelelő összeszerelését.

HU

Ha a vágószál kiszakad a vágószál kimenetből, vagy a vágószál nem oldódik ki, ha a fűkasza fej beakadt, akkor kövesse az alábbi lépéseket:

1. Vegye le az akkumulátoregységet.
2. Nyomja meg a kioldógombot az orsó rögzítőelemén, és távolítsa el az orsó rögzítőelemet úgy, hogy kihúzza (H-1 és H-2 ábra).
3. Távolítsa el a vágószálat az orsó rögzítőelemből.
4. Az egyik kezével tartsa az orsó rögzítőelemet, a másik kezével fogja meg az orsó rögzítőelemet, és illessze az orsó rögzítőelemen lévő gombokat az orsó alap lyukaiba (X-1 ábra). A tenyerével nyomja le, és fordítsa el az orsó rögzítőelemet balra és jobbra, amíg a gombok az orsó alapba nem kattannak (L ábra).
5. Töltse fel a vágószálat.

HASZNÁLAT 3 FOGÚ FÉMMEL

▲ FIGYELMEZTETÉS: A vadhajtás és bozót vágásához állítsa lejjebb a 3 fogú pengét, hogy daraboló hatása legyen. Úgy használja a fűkaszt, mint egy kaszát (lengesse jobbról balra) a talaj felett. Soha ne használja a vágógépséget derékmagasságon felül.

▲ FIGYELMEZTETÉS: Minél magasabban van a vágógépség a talajtól, annál nagyobb a kockázata annak, hogy a levágott darabok oldalra repülnek.

▲ FIGYELMEZTETÉS: Amikor fiatal hajtásokat vagy más fás anyagokat vág, amelyek átmérője legfeljebb 2 cm, akkor használja a penge bal oldalát a penge ütközése elkerülése érdekében. Ne próbáljon meg nagyobb átmérőjű fás anyagot vágni, mivel a penge elakadhat vagy elkezdheti rángatni a fűkaszt. Ez a penge vagy a fűkasza sérülését okozhatja, vagy Ön elveszítheti az uralmát a fűkasza felett, amelynek személyi sérülés lehet a vége.

▲ FIGYELMEZTETÉS: A penge nem megfelelő használata repedést vagy törést okozhat.

A repülő alkatrészek súlyosan megsebesíthetik a kezelőt vagy a nézelődőket. A személyi sérülések kockázatának csökkentése érdekében mindenképpen tartsa be a következő óvintézkedéseket:

- Ne érjen kemény idegen tárgyakhoz, pl. kövekhez, vagy fém tárgyakhoz.
- Soha ne vágjon 2 cm-nél nagyobb átmérőjű fát vagy sövényt.
- Rendszeres időközönként ellenőrizze a pengét sérülések szempontjából. Sérült pengével ne folytassa a munkát.
- Rendszeresen élezze meg a pengét (ha érzékelhetően tompa), és szükség esetén egyensúlyozza ki (szakképzett szakszerviz szakember végezze el).

Penge lökése

Legyen rendkívül óvatos, amikor a 3 fogú pengét ezzel az egységgel használja. A penge lökése olyan reakció, amely akkor lép fel, ha a forgó penge hozzáér valamihez, és nem tud vágni. Amikor hozzáér valamihez, akkor a penge azonnal leáll, és „előlki” az egységet attól a tárgytól, amelynek ütközött. Ez a reakció elég veszélyes ahhoz, hogy a kezelő elveszítse az uralmát az egység felett. A penge előzetes jel nélkül is lökőerőt fejthet ki, ha a penge elakad, leáll vagy megakad. Ez nagyobb valószínűséggel fordul elő olyan területeken, ahol nehezen látható a vágandó anyag. A könnyű és biztonságos vágás érdekében jobbról balra közelítse meg a fűkaszával a vágandó dudvát. Amennyiben váratlanul tárgyba vagy fatörzsbe ütközik, akkor ez a gyakorlat minimalizálja a penge lökési reakcióját.

KARBANTARTÁS

▲ FIGYELMEZTETÉS: Az egység ellenőrzése, tisztítása vagy szervizelése előtt állítsa le a motort, várjon, amíg minden mozgó alkatrész leáll, és vegye ki az akkumulátoregységet. A jelen utasítások be nem tartása súlyos személyi sérülést vagy anyagi kárt eredményezhet.

▲ FIGYELMEZTETÉS: Javitáskor használjon azonos pótalkatrészeket. Más alkatrészek használata veszélyt okozhat, vagy megrongálhatja a terméket. A biztonságosság és megbízhatóság biztosítása érdekében minden javítást szakképzett szerviztechnikus hajtson végre.

ÁLTALÁNOS KARBANTARTÁS

A műanyag alkatrészek tisztításához ne használjon oldószereket. A legtöbb műanyag a vegyi oldószerek által deformálódás általi sérülésnek van kitéve, ezek megrongálhatják őket. Használjon tiszta ruhát a szennyeződés, por, olaj, zsír stb. eltávolításához.

A GÉP TISZTÍTÁSA

- A 3 fogú penge/fűkasza fej minden használata után tisztítsa le a hulladékot, a beakadt fűvet a pengéről és a védőburkolatról egy puha kefével.

MEGJEGYZÉS: Amikor a penge tompává válik, akkor kérjük, szakképzett szakszerviz szakemberrel éleztesse meg, vagy szükség esetén cseréltesse ki új pengére.

- A fűkasza minden használata után tisztítsa meg az egységet egy nedves ruhával és kímélő tisztítószerral.
- Ne használjon erős tisztítószereket a műanyag burkolaton vagy a fogantyún. Ezek megsérülhetnek a különböző aromaolajaktól, pl. fenyő vagy citrom, és az olyan oldószerektől, mint a kerozin. A nedvesség szintén áramütés veszélyét okozhatja. A nedvességet egy puha, száraz törővel törölje le.
- Használjon kis keféket vagy kis porszívó keféket a hátsó burkolat szellőzőnyílásainak megtisztításához.

A GÉP TÁROLÁSA

- Vegye ki az akkumulátoregységet a szerszámból.
- Viseljen kesztyűt a szerszám alaposan tisztításához.
- Szerelje fel a 3 fogú penge tokot a pengére a biztonságos tárolás érdekében (Y ábra).
- Az egységet száraz, jól szellőző, elzárt vagy magas helyen tárolja, ahol gyermekek nem érik el. Ne tárolja a gépet benzín vagy más vegyszerek mellett.

A környezet védelme



Ne dobja az elektromos felszerelést, az akkumulátor töltőt és az akkumulátorokat/újratölthető akkumulátorokat a háztartási hulladékok közé!

Az elektromos és elektronikus berendezések hulladékairól szóló 2012/19/EU európai törvény, amely már nincs érvényben, és az 2006/66/EK európai törvény értelmében a sérült vagy elhasznált akkumulátoregységeket/akkumulátorokat külön kell gyűjteni.

Ha az elektromos berendezéseket talajfeltöltési vagy árokbetömési célokra használják, olyan veszélyes anyagok kerülhetnek belőlük a talajvízbe, majd onnan a táplálkozási láncba, amelyek veszélyeztetik az egészséget.

EK MEGFELELŐSÉGI NYILATKOZAT

Mi, a EGO EUROPE LTD.

Wahlwiesenstrasse 1, D-71711 Steinheim an der Murr
Deutschland

Kijelentjük, hogy a **BC3800E 56 VOLTOS LÍTIUM-ION FŰKASZA HÁTSÓ MOTORRAL ÉS KÉTKAROS FOGANTYÚVAL** megfelel a következő irányelvekben előírt egészségügyi és biztonsági követelményeknek:

2006/42/EK, 2014/30/EU, 2011/65/EU, 2000/14/EK

A standardokat és műszaki adatokat itt nézheti meg:

EN ISO 11806-1, EN 60745-1, EN 55014-1, EN 55014-2, IEC 62321.

| | Fűkasza fej | 3 fogú fém penge |
|----------------------------------|-------------|------------------|
| Mért hangteljesítményszint: | 94,80 dB(A) | 94,04 dB(A) |
| Garantált hangteljesítményszint: | 96 dB(A) | 96 dB(A) |

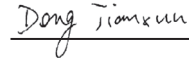
A VI melléklet szerinti megfelelőségértékelési eljárás a 2000/14/EK szerint betartva.

Bejelentő szervezet: DEKRA Certification B.V. Meander
1051 / P.O. box 5185 6525 MJ ARNHEM / 6802 ED
ARNHEM, Netherlands

Bejelentő szervezet száma: 0344



Peter Melrose
Az EGO Europe GmbH
ügyvezető igazgatója



Dong Jianxun
Chervon minőségbiztosítási vezetője

HU

* (A CHERVON felhatalmazott képviselője és a műszaki dokumentáció felelőse)

01/09/2017

HIBAEHÁRÍTÁS

| PROBLÉMA | A PROBLÉMA OKA | MEGOLDÁS |
|-----------------------|--|---|
| Nem indul. | <ul style="list-style-type: none"> ■ Az akkumulátoregység nincs csatlakoztatva a fűkaszához. ■ Nincs elektromos kapcsolat a fűkasza és az akkumulátoregység között. ■ Az akkumulátoregység lemerült. ■ A kapcsoló gomb és a trigger nem egyidejűleg van megnyomva. | <ul style="list-style-type: none"> ■ Csatlakoztassa az akkumulátoregységet a meghajtófejhez. ■ Vegye ki az akkumulátoregységet, ellenőrizze a csatlakozást, és helyezze vissza az akkumulátoregységet, amíg a helyén nincsen. ■ Töltse fel az akkumulátoregységet EGO a jelen útmutatóban megadott töltővel. ■ Nyomja meg és tartsa lenyomva a kapcsoló gombot, majd oldja ki a triggert a fűkasza bekapcsolásához. |
| Hagyja abba a munkát. | <ul style="list-style-type: none"> ■ A motor túlterhelt. ■ Használjon nagy teherbírású vágószálat. ■ Az akkumulátoregység vagy a fűkasza túl forró. ■ Az akkumulátoregység ki van véve a szerszámból. ■ Az akkumulátoregység lemerült. | <ul style="list-style-type: none"> ■ A motor újra működőképes, ha a terhet eltávolítja. A folyamatos működés érdekében csökkentse a meghajtófej teljesítményét. ■ Használjon standard nylon vágószálat, legfeljebb 2,4 mm átmérővel. ■ Hagyja kihűlni az akkumulátoregységet vagy a meghajtófejet 67 °C alatti hőmérsékletre. ■ Helyezze vissza az akkumulátoregységet. ■ Töltse fel az akkumulátoregységet EGO a jelen útmutatóban megadott töltővel. |

HU

| PROBLÉMA | A PROBLÉMA OKA | MEGOLDÁS |
|---|---|---|
| A fűkasza fej nem enged ki a szálát (csak meghajtófejjel való használat). | <ul style="list-style-type: none"> ■ A motor tengely vagy fűkasza fej beakadt a fűbe. ■ Nincs elég szál az orsón. ■ A fűkasza fej piszkos. ■ A szál összegabalyodott az orsón. ■ A szál túl rövid. | <ul style="list-style-type: none"> ■ Állítsa le a gépet, vegye ki az akkumulátort, és távolítsa el a fűvet a motor tengelyről és fűkasza fejről. ■ Vegye ki az akkumulátort, és cserélje ki a vágószálát; kövesse a jelen használati útmutató „VÁGÓSZÁL CSERÉJE” fejezetet. ■ Vegye ki az akkumulátort, és tisztítsa meg az orsó rögzítőelemét, orsót és orsó talpát. ■ Vegye ki az akkumulátort, és vegye ki a vágószálát az orsóból, és tekerjen fel újat; kövesse a jelen használati útmutató „VÁGÓSZÁL CSERÉJE” fejezetet. ■ Vegye ki az akkumulátort, és húzza ki a szálát, közben nyomja le, és oldja ki az ütköző gombot. |

GARANCIA

EGO GARANCIÁLIS FELTÉTELEK

Kérjük, látogasson el az egopowerplus.com oldalra, ahol megtalálja a részletes EGO garanciális feltételeket.

HU

CITIȚI TOATE INSTRUCȚIUNILE!



CITIȚI MANUALUL DE INSTRUCȚIUNI

⚠ Riscuri reziduale! Persoanele cu dispozitive electronice precum stimuloatoare cardiace ar trebui să-și consulte medicul (medicii) înainte de a utiliza acest produs. Utilizarea unui echipament electric în imediata apropiere a unui stimulator cardiac poate cauza interferențe sau pana stimulatorului.

⚠ AVERTISMENT: Pentru siguranța și fiabilitatea produsului, toate reparațiile ar trebui efectuate de către un tehnician de service autorizat.

SIMBOLURI PRIVIND SIGURANȚA

Scopul simbolurilor privind siguranța este să vă atragă atenția asupra pericolelor posibile. Simbolurile privind siguranța și explicațiile furnizate cu acestea merită atenția și înțelegerea dumneavoastră. Simbolurile de avertizare, ele singure, nu elimină niciun pericol. Instrucțiunile și avertismentele pe care le oferă nu pot înlocui măsurile corecte de prevenire a accidentelor.

⚠ AVERTISMENT: Asigurați-vă că ați citit și înțelegiți toate instrucțiunile privind siguranța din acest Manual de utilizare, inclusiv toate simbolurile de alertă privind siguranța precum "PERICOL," "AVERTISMENT," și "ATENȚIE" înainte de a utiliza această sculă. Nerespectarea tuturor avertismentelor și instrucțiunilor poate duce la electrocutare, incendiu și/sau răni grave.

RO

SEMNIFICAȚIA SIMBOLURILOR

⚠ SIMBOL DE AVERTIZARE PRIVIND SIGURANȚA: Indică PERICOL, AVERTISMENT, sau ATENȚIE, poate fi utilizat împreună cu alte simboluri sau pictograme.



⚠ AVERTISMENT: Operarea oricăror scule electrice poate rezulta în proiectarea înspire ochii dumneavoastră a unor obiecte străine, ceea ce poate duce la vătămări grave ale ochilor. Înainte de a începe să utilizați scula electrică, întotdeauna purtați ochelari de protecție cu apărători laterale și vizieră facială completă când este nevoie. Vă recomandăm să purtați o Vizieră lată de protecție peste ochelarii de vedere sau ochelari de protecție standard cu apărători laterale.

INSTRUCȚIUNI PRIVIND SIGURANȚA

Această pagină descrie simbolurile de siguranță ce pot apărea pe acest produs. Citiți, înțelegeți, și respectați toate instrucțiunile de pe mașină înainte de a încerca să o asamblați și să o operați.

| | | |
|--|---|--|
| | Alertă privind siguranța | Indică un risc posibil de vătămare personală. |
| | Citiți manualul de instrucțiuni | Pentru a reduce riscul de rănire, utilizatorul trebuie să citească și să înțeleagă manualul de instrucțiuni înainte de a utiliza acest produs. |
| | Purtați echipament de protecție oculară | Purtați întotdeauna ochelari de protecție sau ochelari de protecție cu apărători laterale și o vizieră facială completă când utilizați acest produs. |
| | Purtați echipament de protecție auditivă | Întotdeauna purtați protecții auditive (dopuri de urechi sau antifoane) pentru a vă proteja auzul. |
| | Purtați echipament de protecție a capului | Purtați o cască de protecție aprobată pentru a vă proteja capul. |
| | Purtați mănuși de protecție | Protejați-vă mâinile cu mănuși când manevrați lama sau apărătoarea acesteia. Mănușile super rezistente, nealunecoase vă îmbunătățesc aderența și vă protejează mâinile. |
| | Purtați încălțăminte de protecție | Purtați încălțăminte antiderapantă când utilizați acest echipament. |
| | Feriți-vă de propulsarea lamei | Avertizați operatorul asupra pericolului propulsiei lamei. |
| | Ricoșeu și ținerea la distanță a persoanelor prezente | Obiectele aruncate pot ricoșa și cauza vătămări corporale și pagube. Asigurați-vă că terții și animalele de companie se află la distanță de trimmerul pentru tufișuri când acesta este în funcțiune. |

| | | |
|----------|-------------------------------|--|
| | Țineți trecătorii la distanță | Asigurați-vă că terții și animalele de companie se află o distanță de cel puțin 15m de trimmerul cu fir când acesta este în funcțiune. |
| | Fără lamă rotundă | Nu instalați lame de tăiere rotunde. |
| | A nu se expune la ploaie | Nu utilizați acest produs în ploaie și nu-l lăsați în exterior în timp ce plouă. |
| | CE | Acest produs este în conformitate cu directivele europene aplicabile. |
| | DEEE | Deșeurile produselor electrice nu trebuie să fie eliminate împreună cu deșeurile menajere. Predați-le unui punct de reciclare autorizat. |
| | Zgomot | Nivelul puterii sunetului garantat. Emisii sonore în mediul înconjurător conform Directivei comunitare europene. |
| V | Volt | Voltaj |
| | Curent continuu | Tip sau o caracteristică a curentului |
| n_0 | Turație de mers în gol | Turație de mers în gol |
| ... /min | Pe minut | Revoluții pe minut |

INSTRUCȚIUNI IMPORTANTE PRIVIND SIGURANȚA

⚠ AVERTISMENT! Când utilizați acest produs, trebuie să respectați întotdeauna instrucțiunile de bază privind securitatea, pentru a se reduce riscul de incendiu, șoc electric și vătămare, inclusiv următoarele:

CITIȚI CU ATENȚIE ÎNAINTE DE UTILIZARE

PĂSTRAȚI PENTRU CONSULTARE ULTERIOARĂ

⚠ PERICOL! Nu vă bazați pe izolația electrică a sculei împotriva electroșocurilor. Pentru a reduce riscul de electrocutare nu utilizați niciodată mașina în vecinătatea firelor sau cablurilor (electrice, etc.) care ar putea transporta curent electric.

⚠ ATENȚIE! Purtați protecție personală auditivă adecvată în timpul utilizării. În anumite condiții și durate de utilizare, zgomotul de la acest produs poate contribui la pierderea auzului.

INSTRIUREA

- Citiți cu atenție instrucțiunile. Familiarizați-vă cu comenzile și cu utilizarea corectă a mașinii.
- Nu permiteți niciodată persoanelor nefamiliarizate cu aceste instrucțiuni sau copiilor să utilizeze aparatul. Reglementările locale pot restricționa vârsta operatorului.
- Rețineți că operatorul sau utilizatorul este responsabil de accidentele sau pericolele la care sunt supuse alte persoane sau bunurile acestora.

PREGĂTIREA

- Nu utilizați acest produs în timp ce sunt oameni, mai ales copii, sau animale de companie în apropiere.
- Purtați în permanență echipament de protecție a ochilor și bocanci de protecție când utilizați acest produs.
- Distanța dintre produs și trecătorii trebuie să fie de cel puțin 15m.

FUNCȚIONAREA

- Utilizați trimmerul de tufișuri numai pe timp de zi sau în condiții de lumină artificială bună.
- Nu puneți niciodată în funcțiune trimmerul de tufișuri cu apărătorile sau scuturile deteriorate sau fără apărători ori scuturi montate în poziție.
- Porniți motorul numai atunci când mâinile și picioarele sunt la distanță de elementele de tăiere.
- Întotdeauna deconectați trimmerul de tufișuri de la alimentare (de ex. îndepărtarea setului de acumulatori).
 - de fiecare dată când lăsați trimmerul nesupravegheat;
 - înainte de eliminarea unui blocaj;
 - înainte de a verifica, curăța sau a lucra asupra trimmerului;
 - după lovirea unui obiect străin;
 - de fiecare dată când trimmerul începe să emită vibrații anormale.
- Feriți-vă de rănirea mâinilor și a picioarelor cu elementele de tăiere.
- Asigurați-vă întotdeauna că fantele de aerisire nu sunt blocate de reziduurii.

RO

ÎNȚREȚINEREA ȘI DEPOZITAREA

- Deconectați trimmerul de la sursa de alimentare (de ex. îndepărtarea setului de acumulatori) înainte de a efectua orice lucrări de întreținere sau curățare.
- Utilizați numai piese de schimb și accesorii recomandate de producător.
- Inspectați și efectuați întreținerea trimmerului pentru tufișuri cu regularitate. Dați aparatul la reparat numai unui reparator autorizat.
- Când nu este utilizat, depozitați trimmerul într-un loc inaccesibil copiilor.

AVERTISMENTE SUPLIMENTARE PRIVIND SIGURANȚA

- **Țineți copiii la distanță** - Toți vizitatorii trebuie ținuți la cel puțin 15m de zona de lucru.
- **Evitați mediile periculoase** - Nu utilizați aparatele pe pante cu umezeală sau ude.
- **Întotdeauna opriți trimmerul sau detașați setul de acumulatori de fiecare dată când îl lăsați nesupravegheat.**
- **Nu utilizați mașina în ploaie.**
- **Îmbrăcați-vă corespunzător** - Nu purtați îmbrăcăminte largă, bijuterii, pantaloni scurți, sandale și nu stați desculț(ă). Acestea pot fi prinse în piesele aflate în mișcare. Întotdeauna purtați pantaloni lungi rezistenți și o bluză cu mâneci lungi. Utilizarea mănușilor și încălțărilor rezistente este recomandată când lucrați în aer liber. Acoperiți-vă părul în totalitate pentru a vă asigura că acesta nu atinge umărul.
- **Utilizați ochelari de protecție** - Întotdeauna utilizați o mască de față sau o mască de praf dacă operația creează praf.
- **Utilizați scula adecvată** - Nu utilizați scula în alt scop decât cel pentru care este prevăzută.
- **Nu forțați trimmerul pentru tufișuri** - Acesta va efectua lucrarea mai bine și în siguranță mai mare, la viteza pentru care a fost proiectat.
- **Nu vă întindeți excesiv** - Păstrați-vă întotdeauna o poziție stabilă a picioarelor și echilibrul.
- **Păstrați-vă vigilența** - Urmăriți ceea ce faceți. Apelați la bunul simț. Nu utilizați trimmerul când sunteți obosit(ă).
- **Nu operați trimmerul pentru tufișuri dacă sunteți sub influența băuturilor alcoolice sau a drogurilor.**
- **Păstrați aparaturile instalate și în stare de funcționare.**
- **Țineți mâinile și picioarele departe de zona de tundere.**

- **Depozitați trimmerul pentru tufișuri în interior**- Când trimmerul nu este utilizat, acesta trebuie depozitat în interior, într-un loc uscat și la înălțime, sau închis cu cheia cu setul de acumulatori detașat - inaccesibil copiilor.
- **Întrețineți trimmerul pentru tufișuri cu grijă** - Păstrați accesoriul de tăiere curat pentru performanțe optime și pentru a reduce riscul de rănire. Respectați instrucțiunile privind schimbarea accesoriilor. Mențineți mânerele uscate, curate și fără ulei sau unsoare.
- **Verificați piesele avariate** - Înainte de a continua utilizarea trimmerului, apărătoarea sau altă piesă care este deteriorată trebuie verificată cu atenție pentru a determina dacă va funcționa corespunzător și își va îndeplini funcția desemnată. Verificați coaxialitatea pieselor în mișcare, neobstrucționarea pieselor în mișcare, defectări ale pieselor, montajul și orice altă situație care poate afecta funcționarea sculei. Apărătoarea sau altă piesă care este deteriorată trebuie reparată corect sau înlocuită de către un centru de service autorizat, cu excepția cazului când se indică contrariul în acest manual de instrucțiuni.
- **Asigurați-vă că toate elementele de fixare sunt instalate și securizate. Asigurați-vă că scutul accesoriului de tăiere este fixat corect și în poziția recomandată de fabricant.**
- **Curățați zona de tuns înainte de fiecare utilizare.** Îndepărtați toate obiectele, cum ar fi pietre, sticlă spartă, cuie, sârmă sau fire care pot fi aruncate sau se pot încurca în accesoriul de tăiere. Îndepărtați din zonă copiii, trecătorii și animalele de companie. Ca distanță minimă, mențineți toți copiii, trecătorii și animalele de companie în afara unei raze de 15 m (50ft); chiar și în afara razei de 15 m (50 ft) poate exista riscul obiectelor aruncate. Trecătorii trebuie încurajați să poarte ochelari de protecție.
- **Înainte de a folosi trimmerul și după orice impact, asigurați-vă că nu există semne de uzură sau deteriorare și reparați dacă este necesar.**
- **Întotdeauna țineți trimmerul pentru tufișuri cu fermitate și cu ambele mâini pe mânere pe durata utilizării. Înășurați-vă degetele și degetele mari în jurul mânerelor.**
- **Evitați pornirea accidentală** - Nu transportați trimmerul cu degetul pe trăgaci.
- **Nu utilizați trimmerul pentru tufișuri în atmosfere cu aburi de benzină sau explozive.** În aceste aparate, este normal ca motoarele să producă scântei, și scânteele pot aprinde substanțele volatile.
- **Avarii ale trimmerului** - Dacă loviți un obiect străin cu trimmerul sau acesta se încurcă, opriți imediat scula, detașați setul de acumulatori de trimmer, verificați avariile și asigurați-vă că orice defect este reparat înainte de a încerca să reutilizați trimmerul. Nu utilizați trimmerul dacă apărătoarea sau accesoriul de tăiere este spartă.

- Dacă echipamentul începe să producă vibrații anormale, opriți motorul, scoateți setul de acumulatori din trimmer și determinați imediat cauza. Vibrațiile sunt în general semnul unor probleme. O unitate de tăiere slabită poate vibra, se poate fisura, se poate rupe sau să se detașeze de trimmer, putând produce răni grave sau fatale. Asigurați-vă că unitatea de tăiere este instalată corespunzător și este fixată în siguranță. Dacă unitatea de tăiere se slăbește după fixarea sa în poziție, înlocuiți-o imediat. Nu utilizați niciodată un trimmer cu o unitate de tăiere slabită.
- Înlocuiți imediat un accesoriu de tăiere fisurat, avariata sau uzat, chiar dacă defectul se limitează la fisuri superficiale. Un astfel de accesoriu se poate sparge la viteză mare și poate cauza răni grave sau fatale.
- Pentru a reduce riscul de rănire, nu lucrați niciodată stând pe o scară sau pe orice alt suport nesigur. Nu țineți niciodată accesoriul de tăiere la înălțime deasupra taliei.
- Nu utilizați niciodată alte fire în afara celor de tăiere din nailon, bucăți din firele de sârmă se pot rupe și pot fi proiectate la viteză mare înspre operator sau trecători.
- Păstrați-vă stabilitatea și echilibrul. Nu încercați să ajungeți în locuri inaccesibile. Țineți accesoriul de tăiere sub nivelul taliei. Țineți toate părțile corpului dumneavoastră la distanță de accesoriul rotativ de tăiere.
- Verificați accesoriul de tăiere la intervale scurte regulate în timpul utilizării, sau imediat dacă observați o modificare vizibilă a modului de tăiere.
- Utilizați numai accesoriile de trimmer din polimer și fir de tăiere autorizate de EGO care sunt proiectate pentru utilizarea cu acest trimmer. Anumite accesoriile de tăiere neautorizate pot fi extrem de periculoase, și/sau riscă să avarieze sculele.
- Dacă cineva se apropie de dumneavoastră, opriți imediat motorul și accesoriul de tăiere.
- Avertizați operatorul asupra pericolului propulsiei lamei (valabil numai pentru produsul echipat cu o lamă cu 3 dinți).
 - Propulsarea lamei poate avea loc când lama rotativă intră în contact cu un obiect care nu este tăiat imediat.
 - Propulsarea lamei poate să fie suficient de violentă încât să cauzeze propulsarea sculei și/sau a operatorului în orice direcție, și eventual poate cauza pierderea controlului asupra trimmerului.
 - Propulsarea lamei poate avea loc fără avertisment dacă lama întâmpină dificultăți, se blochează sau este prinsă.

- Propulsarea are șanse mai mari să apară în zone unde materialul ce trebuie tăiat este greu de văzut.
- Nu instalați lama pe un trimmer fără a instala corect toate piesele necesare. Neutilizarea componentelor adecvate poate cauza proiectarea lamei și rănirea grave a operatorului și/sau a trecătorilor. Eliminați lamele îndoite, exfoliate, crăpate, fisurate sau avariate în vreun fel. Utilizați o lamă ascuțită. O lamă tocită are șanse mai mari să provoace dificultăți și să fie propulsată. (utilizați numai o lamă cu 3 dinți).
- Setul de acumulatori trebuie eliminat într-un mod nepericulos.
- O lamă de debitare/fir poate cauza răniri în cazul care continuă să se rotească după oprirea motorului sau eliberarea trăgaciului. Mențineți un control adecvat asupra trimmerului până la oprirea completă a lamei/firului.
- Nu încărcăți setul de acumulatori în condiții de ploaie sau de umezeală.
- Utilizați numai seturile de acumulatori EGO și încărcătorii de mai jos:

| SET DE ACUMULATORI | ÎNCĂRCĂTOR |
|--|--------------------|
| BA1120E, BA1400, BA2240E, BA2800, BA3360, BA4200, BAX1300 | CH2100E CH5500E |

- Setul de acumulatori trebuie scos din aparat înainte de eliminarea acestuia.
- Nu eliminați acumulatorii aruncându-i în foc. Celulele riscă să explodeze. Verificați normele locale privind eventualele instrucțiuni speciale de eliminare.
- Nu desfaceți sau să mutilați acumulatorul. Electrolitul eliberat este coroziv și poate afecta ochii și pielea. Acesta poate fi toxic dacă este înghițit.
- Atenție când manevrați acumulatori, pentru a evita scurtcircuitarea acumulatorului cu materiale conductoare precum inele, brățări și chei. Acumulatorul sau conductorul se pot supraîncălzi și cauza arsuri.
- Piese de schimb - În cazul operațiilor de service, utilizați numai piese de schimb EGO identice. Utilizarea oricăror alte accesorii sau componente poate crește riscul de rănire.
- Sculele electrice alimentate cu baterii nu trebuie să fie racordate la o priză electrică, de aceea, acestea sunt întotdeauna în stare de funcționare. Atenție la eventualele riscuri chiar și când scula nu este în funcțiune. Aveți grijă când efectuați operații de întreținere sau de service.
- Îndepărtați sau deconectați setul de acumulatori înainte de a efectua operațiuni de service, de a curăța sau de a îndepărta materiale din trimmerul pentru tufișuri.

RO

- Nu spălați trimmerul cu furtunul de grădină; evitați pătrunderea apei în motor și în conexiunile electrice.
- În cazul situațiilor care nu sunt adresate în acest manual, utilizați grijă și raționament. Contactați centrul de service pentru clienți EGO pentru asistență.

PĂSTRAȚI ACESTE INSTRUCȚIUNI!

SPECIFICAȚII

| | | |
|--|--------------------------------|--|
| Unitate de tăiere | Cap de trimmer | Lamă de metal cu 3 dinți |
| Voltaj | 56 V | 56 V |
| Turație la mers în gol | 4500-6000 /min | 4500-6000 /min |
| Tipul firului de tăiere | Fir de nailon răsucit de 2,4mm | / |
| Lamă de tăiere: | / | ABB1203 |
| Lățime de tăiere | 38 cm | 30 cm |
| Greutate (Fără set de acumulatori) | 4,35 kg | 4,64 kg |
| Nivel de putere sonoră măsurată L_{WA} | 94,80 dB(A); K=1,01 dB(A) | 94,04 dB(A); K=1,71 dB(A) |
| Nivel de presiune sonoră în poziția operatorului L_{PA} | 80,2 dB(A); K=2,5 dB(A) | 80,0 dB(A); K=4,1 dB(A) |
| Nivel de putere sonoră garantată L_{WA} (conform 2000/14/CE) | 96 dB(A) | 96 dB(A) |
| Valoarea vibrațiilor a_{ii} : | Măner stâng | 2,28 m/s ² ; K=1,5 m/s ² |
| | Măner drept | 2,38 m/s ² ; K=1,5 m/s ² |
| | | 1,55 m/s ² ; K=1,5 m/s ² |
| | | 1,88 m/s ² ; K=1,5 m/s ² |

- Valoarea totală declarată a vibrațiilor a fost măsurată în conformitate cu o metodă standard de testare și poate fi utilizată pentru compararea sculelor între ele;
- Valoarea totală declarată poate fi utilizată în evaluarea preliminară a expunerii.

OBSERVAȚIE: Vibrațiile emise în timpul utilizării efective a sculei electrice pot diferi față de valoarea celor declarate pentru scula utilizată; Pentru protejerea operatorului, utilizatorul trebuie să poarte mănuși și protecții auditive în timpul utilizării efective a produsului.

CONȚINUTUL AMBALAJULUI

| DENUMIRE PIESĂ | CANTITATE |
|-------------------------|-----------|
| Trimmer pentru tufișuri | 1 |
| Lamă cu 3 dinți și scut | 1 |
| Ansamblu apărătoare | 1 |
| Piuliță | 1 |
| Flanșă exterioară | 1 |
| Cheie hexagonală | 1 |
| Cheie multifuncțională | 1 |
| Curea dublă de umăr | 1 |
| Manual de instrucțiuni | 1 |

DESCRIERE

DESCRIEREA TRIMMERULUI DUMNEAVOASTRĂ PENTRU TUFIȘURI (Fig. A)

1. Manetă limitatoare de viteză
2. Manetă de blocare
3. Bolț cu cap de fluture
4. Trăgaci
5. Ghidon
6. Tijă
7. Fir de tăiere
8. Ansamblu apărătoare
9. Cap de trimmer
10. Șurub de etanșeizare
11. Gaură de blocare tijă
12. Accesoriu apărătoare
13. Cheie multifuncțională
14. Cheie hexagonală
15. Lamă cu 3 dinți
16. Flanșă exterioară
17. Piuliță
18. Buton de detașare
19. Amortizor cauciucat de protecție
20. Încuietoare
21. Contacte electrice
22. Mecanism de ejectare
23. Cataramă chingă
24. Pernuță pentru șold

⚠️ AVERTISMENT: Nu utilizați niciodată scula fără apărătoarea bine fixată. Apărătoarea trebuie să fie întotdeauna instalată pe sculă pentru a proteja utilizatorul.

⚠️ AVERTISMENT: Când scula este echipată cu un cap de trimmer, accesoriul apărătorii cu lama de tăiere trebuie montat pe apărătoare. Nerespectarea acestei instrucțiuni poate duce la un fir de tăiere excesiv de lung și la suprasolicitarea motorului. Nu utilizați niciodată capul trimmerului fără accesoriul apărătorii.

ASAMBLAREA

⚠️ AVERTISMENT: În caz de piese avariate sau care lipsesc, nu utilizați trimmerul dacă piesele nu sunt înlocuite. Utilizarea trimmerului cu piese avariate sau lipsă poate rezulta în vătămări personale grave.

⚠️ AVERTISMENT: Nu încercați să modificați trimmerul sau să creați accesorii nerecomandate pentru a fi utilizate cu acest produs. Orice alterare sau modificare este considerată utilizare greșită și poate duce la condiții periculoase ce pot rezulta în vătămări personale grave.

⚠️ AVERTISMENT: Întotdeauna purtați mănuși rezistente când instalați sau îndepărtați apărătoarea ori când efectuați orice operație de întreținere asupra lamei cu 3 dinți/lamei de tăiere a firului. Atenție la lama de tăiere de pe apărătoare/lama cu 3 dinți și protejați-vă mâinile pentru a nu fi rănite de lame.

⚠️ AVERTISMENT: Pentru a preveni pornirea accidentală care ar putea cauza vătămări personale grave, întotdeauna scoateți setul de acumulatori din sculă când asamblați componente sau când transportați mașina.

⚠️ AVERTISMENT: Nu utilizați niciodată scula fără apărătoare și fără ghidon bine fixate. Nerespectarea acestei instrucțiuni poate duce la eventuale accidente grave.

MONTAREA ȘI REGLAREA MÂNERULUI GHIDONULUI

Trimmerul de tufșuri este depozitat conform ilustrației din Fig. B. Slăbiți mai întâi bolțul cu cap de fluture de pe racordul de conectare, după care ridicați ghidonul la 180° în jurul tije (Fig. C), rotiți-l cu 90° în sens antiorar pentru a-l poziționa cu fața înspre capul cu bobină (Fig. D). La sfârșit, rotiți-l în față și în spate pentru a-l amplasa într-o poziție confortabilă de lucru și strângeți bolțul.

OBSERVAȚIE: Utilizați mașina numai dacă ghidonul este instalat perpendicular pe tijă.

INSTALAREA APĂRĂTORII

Slăbiți și îndepărtați cele două șuruburi de la baza tije (Fig. E), aliniați orificiile de montare ale apărătorii cu orificiile de asamblare și blocați apărătoarea pe baza tije cu ajutorul celor două șuruburi, împreună cu cele două șaibe elastice (Fig. F).

Asigurați-vă că apărătoarea este fixată conform ilustrațiilor din Fig. E & F, orice fixare inversată va cauza un mare pericol!

ÎNLOCUIREA CAPULUI DE TRIMMER CU LAMA CU 3 DINȚI

Urmați pașii ilustrați din Fig. H-1 Fig. H-4 (consultați secțiunea "Înlocuirea firului") pentru a demonta capul trimmerului (Fig. G). Pentru montarea lamei, urmați pașii de mai jos:

1. Pentru montarea ansamblului lamei de metal (Fig. I).
2. Îndepărtați accesoriul apărătorii slăbind cele trei șuruburi cu șaibă (Fig. J).
3. Lama este furnizată cu un scut. Înainte de a monta lama pe trimmer, scutul trebuie îndepărtat prin desfacerea sârmei de prindere de pe cârligul situat pe scut (Fig. K).

Fig. G-K pentru descrierea componentelor consultați tabelul de mai jos:

| | | | |
|-----|-----------------------------|-----|----------------------|
| G-1 | Flanșă interioară | I-3 | Capac flanșă |
| G-2 | Capac flanșă | I-4 | Lamă cu 3 dinți |
| G-3 | Ansamblu carcasă superioară | I-5 | Flanșă exterioră |
| G-4 | Șaibă | I-6 | Piuliță |
| G-5 | Piuliță | I-7 | Fantă din flanșă |
| G-6 | Arc | J-1 | Lamă de tăiere fi |
| G-7 | Fir de tăiere | J-2 | Accesoriu apărătoare |
| G-8 | Ansamblu carcasă inferioară | K-1 | Sârmă de prindere |
| I-1 | Ax motor | K-2 | Cârlig |
| I-2 | Flanșă interioară | | |

OBSERVAȚIE: Pentru a vă proteja de răniri, înainte de orice manevrare a lamei cu 3 dinți trebuie să purtați mănuși.

4. Rotiți axul motor pentru a alinia canelura din flanșă interioară cu orificiul de blocare a axului din cutia de viteze (Fig. L).
5. Introduceți cheia hexagonală în orificiile aliniate pentru a se comporta ca un stabilizator (Fig. M).

Fig. L & M pentru descrierea componentelor consultați tabelul de mai jos:

| | | | |
|-----|---------------------------------------|-----|--------------|
| L-1 | Cutie de viteze | L-3 | Ax motor |
| L-2 | Orificii aliniate de blocare a axului | M-1 | Stabilizator |

- Montați lama pe axul motorului, asigurându-vă că suprafața lamei este la același nivel cu suprafața proeminenței flanșei interioare. Continuați montarea flanșei exterioare și a piuliței (Fig. N). Strângeți în prealabil piulița în sens ANTIORAR cu mâna.

Fig. N pentru descrierea componentelor consultați tabelul de mai jos:

| | |
|-----|-------------------|
| N-1 | Piuliță |
| N-2 | Flanșă exterioară |
| N-3 | Lamă cu 3 dinți |

- Pentru suport, sprijiniți cutia de viteze de o suprafață solidă. Cu o mână apucând de tija trimmerului, și cu cealaltă mână apucând cheia multifuncțională pentru a slăbi piulița în direcția săgeții marcată pe flanșa exterioară. (Fig. O).

UTILIZAREA ACCESORIULUI APĂRĂTORII

OBSERVAȚIE: Când trimmerul este echipat cu un cap de trimmer, accesoriul apărătorii cu lama de tăiere trebuie montat pe apărătoare.

Fixați accesoriul apărătorii pe apărătoare strângând cele trei șuruburi cu cheia hexagonală furnizată deoarece lama de tăiere a firului este situată pe accesoriul apărătorii. Nerespectarea acestor instrucțiuni poate duce la un fir de tăiere excesiv de lung și la suprasolicitarea motorului.

RO

UTILIZAREA

⚠️ AVERTISMENT: Nu permiteți ca familiarizarea cu acest produs să vă facă neglijent(ă). Amintiți-vă că o fracțiune de secundă de neglijență este suficientă pentru a provoca vătămări grave.

⚠️ AVERTISMENT: Întotdeauna purtați protecție oculară și echipament de protecție auditivă. Nerespectarea acestei instrucțiuni ar putea avea ca rezultat proiectarea în ochi a obiectelor și alte posibile vătămări grave.

⚠️ AVERTISMENT: Nu utilizați nicio componentă sau accesoriu care nu a fost recomandat de producătorul acestui produs. Utilizarea de accesorii nerecomandate se poate solda cu vătămări grave.

APLICAȚII

Puteți utiliza trimmerul în scopul menționat mai jos:

- Cu lama de metal cu 3 dinți:** Tăierea ierbii, a buruienilor, tufișurilor și arbuștilor crescuți fără control, lăstarilor tineri subțiri cu diametrul de maxim 2cm.
- Cu capul de trimmer:** Tunderea ierbii și a buruienilor din jurul verandelor, gardurilor și a teraselor.

OBSERVAȚIE: Scula trebuie utilizată numai în scopul pentru care a fost proiectată. Orice altă utilizare este considerată a fi caz de utilizare necorespunzătoare.

ATAȘAREA/DETAȘAREA SETULUI DE ACUMULATORI

Încărcați acumulatorul complet înainte de prima utilizare.

Atașarea

Aliniați nervurile de pe acumulator cu fantele de instalare și apăsați în jos setul de acumulatori până la azul unui clic (Fig. P).

Detășarea

Apăsați butonul de detașare al setului de acumulatori și scoateți setul de acumulatori (Fig. Q).

Fig. P pentru descrierea componentelor consultați tabelul de mai jos:

| | |
|-----|--------------------|
| P-1 | Fantă de instalare |
| P-2 | Nervură |

MONTAREA CURELEI DUBLE DE UMĂR ȘI APUCAREA MAȘINII

Instalați cureaua dublă de umăr pe corpul dumneavoastră și introduceți cele două piese ale cataramii una în cealaltă până la azul unui clic (Fig. R-1). Aliniați cârligul pemeții de șold în gaura carabinierii fixate pe tijă, și apăsați ușor în jos (Fig. R-2 & R-3 & R-4).

Țineți trimmerul cu fir cu ambele mâini, și poziționați-l în partea dreaptă a corpului (Fig. S). Capul trimmerului sau lama trebuie să fie paralele cu solul la o distanță corectă de tăiere fără ca operatorul să fie nevoit să se aplece.

Detășarea trimmerului se poate efectua în două moduri; Decuplați catarama (Fig. T) sau apăsați cârligul curelei și detașați-l de carabiniera fixată pe tijă (Fig. R-2).

⚠️ AVERTISMENT: În caz de urgență, îndepărtați imediat cureaua de pe umăr, indiferent de modul de instalare al curelei. O altă metodă este să eliberați catarama (Fig. T) și cu ambele mâini îndepărtați chinga de pe ambii umeri.

⚠️ AVERTISMENT: Nu utilizați cureaua simplă de umăr și cea dublă simultan.

PORNIREA/OPRIREA TRIMMERULUI DE TUFIȘURI

Pornirea

Apăsăți în jos maneta de blocare și mențineți-o în această poziție. Apăsăți trăgaciul pentru a porni aparatul (Fig. U).

Gradul de apăsare al trăgaciului influențează viteza de rotire a unității de tăiere. Dacă este nevoie, ajustați maneta de blocare a vitezei pentru a seta viteza maximă.

OBSERVAȚIE: Maneta de blocare a vitezei poate fi presetată pentru a limita cursa trăgaciului.

Oprirea

Eliberați trăgaciul.

OBSERVAȚIE: Motorul funcționează numai când maneta și trăgaciul sunt amândouă apăstate.

⚠ AVERTISMENT: Întotdeauna scoateți setul de acumulatori din trimmerul cu fir în timpul pauzelor de lucru și după terminarea lucrării.

UTILIZAREA MAȘINII

⚠ AVERTISMENT: Îmbrăcați-vă corespunzător pentru a reduce riscul de rănire când utilizați trimmerul. Nu purtați haine largi sau bijuterii. Purtați echipament de protecție/oculari și auditiv/pestru urechi. Purtați pantaloni lungi rezistenți, cizme și mănuși. Nu purtați pantaloni scurți, sandale sau să stați desculți.

Înainte utilizării, verificați zona pentru a vă asigura siguranța de lucru, îndepărtând persoanele, animalele sau obiecte mărunte. Asigurați-vă că aceștia se află la cel puțin 15m distanță. După care asigurați-vă că purtați protecție oculară, îmbrăcăminte corectă și aveți o poziție echilibrată.

Înainte fiecărei utilizări, verificați pentru depistarea pieselor uzate/avariate. Verificați capul trimmerului, lama cu 3 dinți, apărătoarea, accesoriul apărătorii, ghidonul și cureaua dublă de umăr și înlocuiți piesele care sunt fisurate, distorsionate, îndoite sau avariate în vreun fel. Lama de tăiere a firului de pe muchia accesoriului apărătorii se poate toci cu timpul. Se recomandă să o ascuțiți periodic cu o pilă sau să o înlocuiți cu una nouă.

După fiecare utilizare, curățați bine trimmerul

UTILIZAREA ÎMPREUNĂ CU CAPUL DE TRIMMER

Ajustarea lungimii firului de tăiere

Capul trimmerului permite utilizatorului să elibereze mai mult fir fără să oprească motorul. Pe măsură ce firul devine fragil sau uzat, fir adițional poate fi eliberat prin lovirea ușoară a butonului de derulare a firului de sol în timpul operării trimmerului (Fig. V).

OBSERVAȚIE: Eliberarea firului devine mai dificilă pe măsură ce firul de tăiere devine mai scurt.

⚠ AVERTISMENT: Nu îndepărtați sau să modificați ansamblul lamei de tăiere a firului. Lungimea excesivă a firului poate cauza supraîncălzirea motorului și poate duce la răni personale grave.

Înlocuirea firului

OBSERVAȚIE: Întotdeauna utilizați firul de tăiere din nailon cu un diametru maxim de 2,4mm. Utilizarea unui fir diferit de cel specificat poate duce la supraîncălzirea trimmerului cu fir sau la avariarea acestuia.

⚠ AVERTISMENT: Nu utilizați niciodată fir de metal ranforsat, sârmă, frânghie, etc. Acestea se pot rupe și pot deveni proiectile periculoase.

1. Îndepărtați setul de acumulatori.
2. Îndepărtați firul de tăiere rămas, dacă este nevoie.
3. Rotiți suportul de bobină în direcția săgeții, după cum este nevoie, aliniind firul de ÎNCĂRCARE de pe suportul bobinei cu orificiile din baza bobinei (Fig. W-1).
4. Tăiați 5m de fir de tăiere, și introduceți firul în gaura de montare din interiorul orificiului (Fig. W-2). Împingeți și trageți firul din partea opusă până când în ambele laturi ale bobinei firele au aceeași lungime (Fig. W-3).
5. Apăsăți, în timp ce rotiți suportul în direcția săgeții, pentru a înfășura firul pe bobină până când aproximativ 14cm de fir apar în ambele părți (Fig. W-4).
6. Apăsăți în jos suportul de bobină în timp ce instalați firele pentru a derula manual firul și a vă asigura că asamblarea capului de trimmer este corectă.

Când firul de tăiere se rupe din orificiul de ieșire al acestuia sau dacă firul nu este eliberat când capul trimmerului este lovit, urmați pașii de mai jos:

1. Îndepărtați setul de acumulatori.
2. Apăsăți cele două clape de detașare de la baza suportului bobinei și scoateți suportul de bobină extrăgându-l direct (Fig. H-1 & H-2).
3. Scoateți firul de tăiere de pe suportul bobinei.
4. Ținând cu o mână baza bobinei, apucați cu cealaltă suportul acesteia și aliniați clapetele de pe suportul bobinei cu găurile din baza suportului (Fig. X-1); utilizați-vă palma pentru a apăsa și rotiți suportul bobinei înspre stânga și dreapta până când clapetele sunt blocate cu baza suportului (Fig. X-2).
5. Reîncărcarea firului de tăiere.

RO

UTILIZAREA LAMEI DE METAL CU 3 DINȚI

⚠️ AVERTISMENT: Pentru a tăia tufișurile și arbuști sălbăticiți, coborâți lama rotativă cu 3 dinți în jos pe vegetație pentru a obține efectul de tăiere. Utilizați trimmerul pentru tufișuri ca o coasă (măturați cu el înspre dreapta și stânga) la nivelul solului. Nu țineți niciodată unitatea de tăiere deasupra taliei.

⚠️ AVERTISMENT: Cu cât unitate de tăiere este mai sus de sol, cu atât crește riscul de rănire provocat de resturile ejectate în lateral.

⚠️ AVERTISMENT: Când tăiați lăstari sau alte materiale lemnoase cu diametrul maxim de 2cm, utilizați partea stângă a lamei pentru a evita propulsarea acesteia. Nu încercați să tăiați material lemnos cu diametrul mai mare, deoarece lama poate prinde sau poate arunca trimmerul pentru tufișuri înainte. Acest lucru poate avaria lama sau trimmerul pentru tufișuri, ori cauza pierderea controlului trimmerului pentru tufișuri, rezultând în răni.

⚠️ AVERTISMENT: Utilizarea inadecvată a lamei poate duce la crăparea, ciobirea sau spargerea lamei. Piese aruncate pot răni grav operatorul sau trecătorii. Pentru a reduce riscul de rănire, este esențial să respectați următoarele măsuri:

- Evitați contactul cu obiecte dure sau solide străine, precum pietre, bolovani sau bucăți de metal.
- Nu tăiați niciodată lemn sau tufișuri cu tulpina ce depășește 2cm.
- Inspectați lama la intervale scurte periodice pentru semne de avariere. Nu continuați să lucrați cu o lamă avariată.
- Reascuțiți lama periodic (când este tocită evident) și dacă este nevoie, echilibrați-o (operație efectuată de un tehnician autorizat de service).

Propulsarea lamei

Acordați atenție extremă când utilizați lama cu 3 dinți cu acest produs. Propulsarea lamei este reacția care poate avea loc când lama rotativă intră în contact cu un obiect pe care nu-l poate tăia. Acest contact poate cauza oprirea lamei pentru un moment și propulsarea bruscă a trimmerului dinspre obiectul care a fost lovit. Această reacție poate fi suficient de violentă încât să cauzeze operatorului pierderea controlului asupra trimmerului. Propulsarea lamei poate avea loc fără avertisment dacă lama întâmpină dificultăți, se blochează sau este prinsă. Propulsarea are șanse mai mari să apară în zone unde materialul ce trebuie tăiat este greu de văzut. Pentru tăierea ușoară și în siguranță, apropiați-vă de buruienile ce trebuie tăiate cu trimmerul dinspre dreapta spre stânga. În cazul întâlnirii unui obiect neașteptat sau a unei tulpini de lemn, această abordare ar putea diminua reacția de propulsare.

ÎNȚREȚINEREA

⚠️ AVERTISMENT: Înainte de a inspecta, curăța sau de efectua operațiuni de service asupra aparatului, opriți motorul, asigurați-vă că toate componentele mobile sunt oprite și îndepărtați setul de acumulatori dacă este nevoie. Nerespectarea acestor instrucțiuni se poate solda cu vătămări corporale grave sau distrugerea bunurilor.

⚠️ AVERTISMENT: Când efectuați operații de service, utilizați numai piese de schimb identice. Utilizarea oricăror altor piese poate crea un pericol sau poate produce o deteriorare. Pentru siguranța și fiabilitatea produsului, toate reparațiile ar trebui efectuate de către un tehnician de service autorizat.

ÎNȚREȚINERE GENERALĂ

Evitați utilizarea solvenților când curățați piese din plastic. Majoritatea pieselor din plastic sunt susceptibile să se deterioreze de la diverse tipuri de solvenți comerciali și se pot defecta prin utilizarea acestora. Utilizați cârpe curate pentru a îndepărta murdăria, praful, uleiul, vaselina etc.

CURĂȚAREA MAȘINII

- După fiecare utilizare a lamei cu 3 dinți/ a capului trimmerului, curățați reziduurile, solul acumulat sau iarba de pe lamă și de pe apărătoare, utilizând o perie moale.

OBSERVAȚIE: Când lama de tăiere a firului devine tocită, vă rugăm ascuțiți-o apelând la un tehnician de service autorizat sau înlocuiți-o cu o lamă nouă după cum este necesar.

- După fiecare utilizare a trimmerului, curățați unitatea de tăiere utilizând o cârpă umedă cu detergent slab.
- Nu utilizați detergenți puternici pe carcasa de plastic sau pe mâner. Acestea pot fi deteriorarea de anumite uleiuri parfumate precum brad și lămâie, și de către solvenți precum kerosenul. Umezeala poate cauza un risc de electrocutare. Ștergeți orice urmă de umezeală cu o cârpă uscată.
- Utilizați o perie mică sau un aspirator mic pentru a curăța fantele de aerisire de pe carcasa posterioară.

DEPOZITAREA MAȘINII

- Detașați setul de acumulatori de pe sculă.
- Purtați mănuși super rezistente pentru a curăța bine scula.
- Montați scutul lamei pe lama cu 3 dinți pentru protecție vitală (Fig. Y).

- Depozitați aparatul într-un loc uscat, bine aerisit, închis cu cheia sau la înălțime, în care copiii nu au acces. Nu depozitați mașina pe sau lângă fertilizanți, benzină sau alte chimicale.

Protejarea mediului înconjurător

Nu eliminați echipamentul electric, încărcătorul de acumulatori și bateriile/acumulatorii împreună cu deșeurile menajere!

Conform Directivei europene 2012/19/UE, sculele echipamentele electrice și electronice care nu mai sunt utilizabile, și conform Directivei europene 2006/66/CE, seturile de acumulatori/bateriile defecte sau uzate trebuie colectate separat.

Dacă aparatele electrice sunt aruncate la groapa de gunoi sau la haldă, se pot scurge substanțe periculoase în pânza freatică și acestea pot intra în lanțul trofic, afectându-vă sănătatea și bunăstarea.

DECLARAȚIE DE CONFORMITATE CE

Noi, EGO EUROPE LTD.

Wahlwiesenstrasse 1, D-71711 Steinheim an der Murr
Deutschland

Declarăm că produsul **TRIMMER PENTRU TUFIȘURI CU ACUMULATOR DE LITIU-ION DE 56V, MOTOR POSTERIOR ȘI GHIDON BC3800E** este conform cerințelor esențiale în materie de sănătate și siguranță ale următoarelor Directive:

2006/42/CE, 2014/30/UE, 2011/65/UE, 2000/14/CE Standarde și specificații tehnice la care se face referință:

EN ISO 11806-1, EN 60745-1, EN 55014-1, EN 55014-2, IEC 62321.

| | Cap de trimmer | Lamă de metal cu 3 dinți |
|------------------------------------|----------------|--------------------------|
| Nivel de putere acustică măsurat: | 94,80 dB(A) | 94,04 dB(A) |
| Nivel de putere acustică garantat: | 96 dB(A) | 96 dB(A) |

Procedura de evaluare a conformității din Anexa VI este respectată conform 2000/14/CE.

Organism notificat: DEKRA Certification B.V. Meander 1051 / P.O. box 5185 6525 MJ ARNHEM / 6802 ED ARNHEM, Netherlands

Număr corp notificat: 0344

Peter Melrose

Director general EGO Europe GmbH

Dong Jianxun

Manager al calității la Chervon

RO

* (Reprezentat autorizat CHERVON și responsabil pentru documentația tehnică)

01/09/2017

GHID DE DEPANARE

| PROBLEMĂ | CAUZĂ | SOLUȚIE |
|--------------------|---|--|
| Scula nu pornește. | <ul style="list-style-type: none"> ■ Setul de acumulatori nu este atașat de trimmer. ■ Nu există contact electric între trimmerul pentru tufișuri și setul de acumulatori. ■ Setul de acumulatori este descărcat. ■ Maneta de blocare și trăgaciul nu sunt apăstate simultan. | <ul style="list-style-type: none"> ■ Atașați setul de acumulatori de capul de alimentare. ■ Îndepărtați acumulatorul, verificați contactele și reinstalați setul de acumulatori până când acesta se anclanșează în poziție. ■ Încărcați acest set de acumulatori cu încărcătorii EGO menționați în acest manual. ■ Apăsăți în jos maneta de blocare și țineți-o apăsată, după care apăsați trăgaciul declanșator pentru a porni trimmerul pentru tufișuri. |
| Scula se oprește. | <ul style="list-style-type: none"> ■ Motorul este suprasolicitat. ■ Este utilizat un fir gros. ■ Setul de acumulatori sau trimmerul sunt prea fierbinți. ■ Setul de acumulatori este deconectat de la sculă. ■ Setul de acumulatori este descărcat. | <ul style="list-style-type: none"> ■ Motorul își va reveni după ce sarcina este îndepărtată. Pentru lucru continuu, diminueați sarcina capului de alimentare. ■ Utilizați fir de nailon standard de tăiere cu diametrul de maxim 2,4mm. ■ Lăsați setul de acumulatori sau capul de alimentare să se răcească până când temperatura scade sub 67°C. ■ Reinstalați setul de acumulatori. ■ Încărcați acest set de acumulatori cu încărcătorii EGO menționați în acest manual. |

RO

| PROBLEMĂ | CAUZĂ | SOLUȚIE |
|---|---|--|
| Capul trimmerului nu derulează firul (numai când este utilizat capul de trimmer). | <ul style="list-style-type: none"> ■ Axul motorului sau capul trimmerului sunt blocate cu iarbă. ■ Pe bobină nu mai este suficient fir. ■ Capul trimmerului este murdar. ■ Firul este încurcat pe bobină. ■ Firul este prea scurt. | <ul style="list-style-type: none"> ■ Opriți trimmerul, îndepărtați acumulatorul și curățați iarba de pe axul motorului și capul trimmerului ■ Îndepărtați acumulatorul și înlocuiți firul de tăiere; respectați instrucțiunile din capitolul "ÎNLOCUIREA FIRULUI" din acest manual. ■ Îndepărtați acumulatorul și curățați bobina, suportul bobinei și baza acesteia. ■ Îndepărtați acumulatorul, îndepărtați firul de pe bobină și înfășurați; respectați instrucțiunile din capitolul "ÎNLOCUIREA FIRULUI" din acest manual. ■ Scoateți acumulatorul și scoateți firele în timp ce apăsați alternativ în jos pe și eliberați butonul de derulare a firului. |

GARANȚIA

POLITICA DE GARANȚIE EGO

Vă rugăm consultați website-ul egopowerplus.com pentru termenii și condițiile complete ale politicii de garanție EGO.

RO

PREBERITE VSA NAVODILA!



PREBERITE PRIROČNIK Z NAVODILI ZA UPORABO

⚠ Preostalo tveganje! Pred uporabo izdelka se morajo osebe z elektronskimi napravami, kot je srčni spodbujevalnik, posvetovati s svojim zdravnikom. Delovanje električne opreme v bližini srčnega spodbujevalnika lahko povzroči motnje ali okvaro srčnega spodbujevalnika.

⚠ OPOZORILO: Za zagotovitev varnosti in zanesljivosti mora vsa popravila izvesti usposobljen serviser.

VARNOSTNI SIMBOLI

Namen varnostnih simbolov je, da pritegnejo vašo pozornost na morebitne nevarnosti. Varnostni simboli in njihova pojasnila si zaslužijo vašo pozornost in razumevanje. Opozorilni simboli sami ne odpravljajo nobene nevarnosti. Navodila in opozorila niso nadomestilo za ustrezne ukrepe za preprečevanje nesreč.

⚠ OPOZORILO: Poskrbite, da boste pred uporabo orodja prebrali in razumeli vsa varnostna navodila v priročniku z navodili za uporabo, vključno z vsemi simboli za varnostna opozorila «, kot so »NEVARNOST«, »OPOZORILO« in »POZOR«. Neupoštevanje spodaj navedenih navodil se lahko odrazi v električnem udaru, požaru in/ali resnih telesnih poškodbah.

POMEN SIMBOLOV

⚠ SIMBOL VARNOSTNEGA OPOZORILO: označuje NEVARNOST, OPOZORILO ali POZOR, uporabiti ga je mogoče skupaj z drugimi simboli ali piktogrami.



⚠ OPOZORILO: Delovanje katerega koli električnega orodja lahko povzroči metanje tujkov v vaše oči, kar lahko povzroči resne poškodbe očesa. Pred začetkom dela z električnim orodjem vedno nosite zaščitna očala ali varnostna očala s stranskimi zaščitami in kadar je treba tudi ščit za celoten obraz. Priporočamo vam uporabo varnostne maske Wide Vision Safety Mask za uporabo preko očal ali standardnih varnostnih očal s stransko zaščito.

VARNOSTNA NAVODILA

Na tej strani so prikazani in opisani varnostni simboli, ki se lahko pojavijo na tem izdelku. Preberite, osvojite in sledite navodilom na stroju preden ga boste poskušali sestaviti in upravljati.

| | | |
|--|---|--|
| | Varnostno opozorilo | Označuje potencialno nevarnost telesnih poškodb. |
| | Preberite priročnik z navodili za uporabo | Za zmanjšanje nevarnosti poškodb je pomembno, da uporabnik pred uporabo naprave prebere uporabniški priročnik. |
| | Nosite zaščito za oči | Pri upravljanju tega izdelka vedno nosite zaščitna očala ali varnostna očala s stransko zaščito in zaščito za celoten obraz. |
| | Nosite zaščito za ušesa | Za zaščito sluha vedno uporabljajte protihrupne pripomočke (čepke za ušesa ali glušnike). |
| | Uporabljajte zaščito za glavo | Uporabljajte odobreno odobreno zaščitno pokrivalo za glavo, ki nudi ustrezno zaščito za glavo. |
| | Uporabljajte zaščitne rokavice | Med rokovanjem rezila ali zaščitite rezila zaščitite roke z rokavicami. Trpežne rokavice z dobrim oprijemom izboljšujejo oprijem in varujejo vaše roke. |
| | Uporabljajte zaščitno obutev | Nosite nedrsko zaščitno obutev, ko uporabljate to opremo. |
| | Bodite pozorni na sunek rezila | Upravljalca opozorite na nevarnost sunka rezila. |
| | Nevarnost odboja, prisotni najo bodo drugi ljudje oddaljeni | Sunjeni predmeti se lahko odbijejo in povzročijo telesno poškodbo ali poškodbo lastnine. Poskrbite, da bodo drugi ljudje in hišni ljubljenci ustrezno oddaljeni od motorne kose, ko je ta v uporabi. |

SL

| | | |
|----------|---|---|
| | Prisotni naj bodo varno oddaljeni | Poskrbite, da bodo drugi ljudje in hišni ljubljenci od delujoče motorne kose oddaljeni najmanj 15 m. |
| | Ni okroglega rezila | Ne nameščajte okroglih rezil za košnjo. |
| | Ne izpostavljajte dežju | Naprave ne uporabljajte v dežju ali je puščajte zunaj, ko dežuje. |
| | CE | Ta izdelek je v skladu z veljavnimi direktivami ES. |
| | Odpadna električna in elektronska oprema (OEEO) | Odpadnih električnih izdelkov se ne sme odlagati med gospodinjne odpadke. Odnosite jih k pooblaščenemu izvajalcu postopka recikliranja. |
| | Hrup | Zajamčena raven zvočnega tlaka. Emisije hrupa v okolico so v skladu z direktivo Evropske skupnosti. |
| V | Volt | Napetost |
| | Enosmerni tok | Vrsta ali značilnost toka |
| n_0 | Št. vrtljajev v prostem teku | Hitrost vrtenja, brez obremenitve |
| ... /min | Na minuto | Vrtljajev na minuto. |

POMEMBNA VARNOSTNA NAVODILA

⚠ OPOZORILO! Pri uporabi tega izdelka morate vedno upoštevati osnovne previdnostne ukrepe, saj lahko le tako zmanjšate nevarnost požara, električnega udara, opeklin in telesnih poškodb, vključno s sledečim:

PRED UPORABO NATANČNO PREBERITE

SHRANITE ZA PRIHODNJO UPORABO

⚠ NEVARNOST! Ne zanašajte se na to, da bo izolacija orodja nudila zadovoljivo zaščito pred električnim udarom. Naprave nikoli ne uporabljajte v bližini žic ali kablov (napajalnih kablov ipd.), v katerih je lahko električni tok. Tako lahko zmanjšate nevarnost električnega udara.

⚠ SVARILO! Med uporabo nosite primerno zaščito za sluh. Pod nekaterimi pogoji in glede na dolžino uporabe lahko hrup tega izdelka prispeva k izgubi sluha.

IZOBRAŽEVANJE

- Pozorno preberite navodila. Seznanite se s kontrolniki in pravilno uporabo naprave.
- Nikoli ne dovolite, da napravo uporabljajo osebe, ki niso seznanjene s temi navodili, ali otroci. Lokalni predpisi lahko omejujejo starost upravljavca naprave.
- Ne pozabite, da je upravljevec ali uporabnik orodja odgovoren za nevarnosti ali tveganja za druge ljudi in lastnino, do katerih lahko pride.

PRIPRAVA

- Ne uporabljajte naprave, če so v bližini ljudje, zlasti otroci, ali domače živali.
- Med uporabo tega izdelka vedno uporabljajte zaščito za oči in zaščitne čevlje.
- Razdalja med napravo in drugimi prisotnimi ljudmi mora biti najmanj 15 m.

DELOVANJE

- Motorno koso uporabljajte le podnevi ali pri močni umetni svetlobi.
- Nikoli ne uporabljajte motorne kose s poškodovanimi varovali ali zaščito ali brez nameščenih varoval in zaščite.
- Motor vklopite šele takrat, ko roke in noge niso v stiku s komponentami za košnjo.
- Motorno koso vedno ločite od vira napajanja (vtič odstranite baterijski sklop):
 - ko motorno koso odložite nenadzorovano,
 - preden odstranite blokado, ki preprečuje delovanje.
 - pred pregledom, čiščenjem ali servisiranjem motorne kose,
 - ko zadenete tujek,
 - ko se začne motorna kosa nenavadno tresti.
- Bodite pozorni na poškodbe rok in nog, do katerih lahko pride zaradi stika s komponentami za košnjo.
- Poskrbite, da bodo odprtine za prezračevanje vedno čiste in brez tujkov.

SL

VDZRŽEVANJE IN SHRANJEVANJE

- Motorno koso vedno ločite od vira napajanja (vtič odstranite baterijski sklop) med vzdrževanjem ali čiščenjem naprave.
- Uporabljajte le nadomestne dele in pripomočke, ki jih je odobril proizvajalec.
- Redno pregledujte in vzdržujte motorno koso. Stroj naj popravlja le pooblaščen serviser.
- Ko ni v uporabi, pospravite motorno koso zunaj dosega otrok.

DRUGA VARNOSTNA OPOZORILA

- **Hranite zunaj dosega otrok** – druge osebe naj bodo od delovnega območja odstranjene najmanj 30 metrov.
- **Ne uporabljajte v nevarnem območju** – naprave ne uporabljajte na vlažnem ali mokrem klancu.
- **Ko orodja odložite nenadzorovano, motorno koso izklopite ali odstranite baterijski sklop.**
- **Ne uporabljajte na dežju.**
- **Uporabljajte primerna oblačila** – ne uporabljajte ohlapnih oblačil, nakita ali kratkih hlač, prav tako naprave ne uporabljajte bosi. Ohlapni deli naprave se lahko zataknejo v premikajoče se dele. Vedno uporabljajte trpežne dolge hlače in srajco z dolgimi rokavi. Med delu na prostem priporočamo uporabo gumijastih rokavic in trpežne obutve. Če imate dolge lase, uporabljajte zaščito za lase, s katero jih lahko pritrдите nad raven ram.
- **Uporabljajte zaščitna očala** – v prašnem okolju uporabljajte zaščitno masko ali masko proti prahu.
- **Uporabljajte ustrezno orodje** – orodje uporabljajte la za predviden namen.
- **Ne preobremenjujte motorne kose** – če koso uporabljate na predvideni ravni obremenitve, je manjša verjetnost, da bo prišlo do tveganja ali poškodbe.
- **Ne segajte predaleč** – vedno poskrbite za ustrezno stoji in ravnotežje.
- **Bodite pozorni** – bodite pozorni na to, kaj delate. Uporabljajte trezno presojo. Ne uporabljajte motorne kose, ko ste utrujeni.
- **Ne uporabljajte motorne kose pod vplivom alkohola ali drog.**
- **Poskrbite, da bodo varovala nameščena in ustrezno delujoča.**
- **Ne segajte v območje košnje z rokami in nogami.**
- **Motorno koso hranite v zaprtem prostoru** – ko motorne kose ne uporabljate, odstranite baterijski sklop in jo shranite v zaprtem prostoru, ki je suh in nekoliko dvignjen ali zaklenjen ter izven dosega otrok.

- **Skrbno vzdržujte motorno koso** – komponenta za košnjo naj bo čista, saj boste tako zagotovili najbolj učinkovito delovanje in zmanjšali nevarnost poškodbe. Sledite navodilom za menjavo priključkov. Ročaji naj bodo suhi, čisti in brez madežev olja ali masti.
- **Preverite poškodovane dele** – pred nadaljnjo uporabo motorne kose morate poškodovano varovalo ali drug poškodovani del natančno pregledati in določiti, ali bo pravilno deloval in izvajal svojo predvideno funkcijo. Preverite nastavitve premikajočih se delov, njihove povezave, morebitne lome, namestitve in druge pogoje, ki bi lahko vplivali na delovanje naprave. Poškodovan ščitnik ali drug poškodovan del morajo ustrezno popraviti ali nadomestiti na pooblaščenem servisnem centru, razen če je v tem priročniku navedeno drugače.
- **Preverite, ali so vsi pritrdilni elementi nameščeni in varni za uporabo. Prepričajte se, da je zaščita komponente za košnjo ustrezno nameščena v položaju, ki ga je predvidel proizvajalec.**
- **Območje košnje pred vsako uporabo počistite.** Odstranite vse predmete, kot so kamni, zdrobljeno steklo, žebli, žica ali vrvice, ki jih lahko vrže ali se zapletejo v priključek za košnjo. Na območju naj ne bo otrok, opazovalcev in hišnih ljubljencev. Otroci, mimoidoči in hišni ljubljenci naj bodo oddaljeni najmanj 15 m (50 čevljev). Tudi zunaj 15-metrskega območja (50 čevljev) obstaja nevarnost poškodbe zaradi letečih predmetov. Prisotni naj tudi uporabljajo zaščito za oči.
- **Pred uporabo motorne kose in po vsakem stiku s tujkom preverite obrabo ali poškodbo in jo po potrebi odpravite.**
- **Med uporabo motorne kose jo vedno držite čvrsto z obema rokama na ročajih. Prste in palce ovijte okoli ročajev.**
- **Preprečite nenadzorovan zagon** – ne nosite motorne kose s prstom na zaganjalniku.
- **Ne uporabljajte motorne kose v območju s plinom ali v eksplozivnem območju.** Motorji v teh napravah se običajno iskrijo, iskra pa lahko vžge hlape.
- **Poškodbe motorne kose** – če z motorno koso naletite na tujek ali pa se ta zatakne, nemudoma prekinite delovanje, odstranite baterijski sklop iz motorne kose, preverite morebitno škodo in pred nadaljnjo uporabo odpravite morebitno poškodbo. Ne uporabljajte naprave s poškodovanim varovalom ali komponento za košnjo.

- Če se začne oprema nenavadno tressti, nemudoma ustavite motor, odstranite baterijski sklop iz motorne kose in določite vzrok. Tresenje je običajno znak okvare. Nepritirjena komponenta za košnjo se lahko začne tressti, lahko počí, se zlomi ali pa se sname z motorne kose, kar lahko privede do nesreče s smrtnim izidom. Poskrbite, da je komponenta za košnjo ustrezno nameščena in pritrjena. Če enota ne ostane pritrjena po tem, ko jo ustrezno pritrdite, ko nemudoma zamenjajte. Nikoli ne uporabljajte motorne kose z nepritirjeno komponento za košnjo.
- Počeno, poškodovano ali obrabljeno komponento za košnjo nemudoma zamenjajte, tudi če gre le za površinske razpoke. Takšna komponenta lahko pri visokih hitrostih počí in privede do hudih poškodb ali poškodb s smrtnim izidom.
- Nikoli ne delajte na lestvi ali na drugi nestabilni podpori. Tako boste znatno zmanjšali nevarnost poškodb. Enote za košnjo nikoli ne dvigujte nad višino pasu.
- Nikoli ne uporabljajte drugih žic kot zamenjavo za nitke za košnjo. Kosi žice se lahko zlomijo in pri veliki hitrosti odletijo proti upravljavcu ali mimoidočim.
- Poskrbite za stabilno stoji in ravnotežje. Ne segajte predaleč. Enote za košnjo ne dvigujte nad višino pasu. Poskrbite, da noben del telesa ne bo prišel v stik z enoto za košnjo.
- Enoto za košnjo med uporabo redno preverjajte v kratkih intervalih ali nemudoma po tem, ko opazite spremenjeno učinkovitost košnje.
- Uporabljajte le nitko za košnjo in dodatke za rezilo, ki jih je odobril EGO za uporabo s to motorno koso. Nekatere neodobrene komponente so lahko izredno nevarne in/ali lahko poškodujejo orodje.
- Če pristopite, takoj ustavite motor in enoto za košnjo.
- Upravljavca opozorite na nevarnost sunka rezila (samo za trizobo rezilo).
 - Do sunka rezila lahko pride takrat, ko vrteče rezilo zadene ob predmet, ki ga ne prereže takoj.
 - Sunek rezila je lahko tako močan, da enoto in/ali upravljavca vrže v katero koli smer, ta pa pri tem izgubi nadzor nad enoto.
 - Do sunka rezila lahko pride brez vnaprejšnjega opozorila, če se rezilo zatakne, zaustavi med vrtenjem ali ukrivi.
 - Večja verjetnost je, da do sunka rezila pride v območjih, kjer težko vidite material, ki ga režete.
- Ne pritujite na komponento rezila, če pred tem ne namestite vseh zahtevanih delov. Če ne uporabite ustreznih delov, lahko rezilo odleti proč in resno poškoduje upravljavca in/ali mimoidoče. Zavržite vsa skrivljena, zvita, počena, zlomljena ali kakor koli drugače poškodovana rezila. Uporabite ostro rezilo. Veliko bolj verjetno je, da bo počilo topo rezilo (samo za trizobo rezilo).
- Baterijski sklop je treba varno odvreči.
- Rezilo/nitka z vztrajnim momentom lahko povzroči poškodbo, ker se vrti tudi po zaustavitvi motorja ali po sprostitvi sprožilca. Održite nadzor toliko časa, da se rezilo/nitka popolnoma ustavi.
- Baterijskega sklopa ne polnite v dežju ali na vlažnih mestih.
- Napravo uporabljajte le z baterijskimi sklopi in polnilniki EGO, navedenimi spodaj:

| BATERIJSKI SKLOP | POLNILNIK |
|---|--------------------|
| BA1120E, BA1400, BA2240E, BA2800, BA3360, BA4200, BAX1300 | CH2100E CH5500E |
- Preden napravo zavržete, morate iz nje odstraniti baterijski sklop.
- Baterije ne odstranite v ogenj. Celice lahko eksplodirajo. Preverite lokalne predpise za morebitna posebna navodila glede odstranjevanja.
- Baterije ne odpirajte ali poškodujte. Sproščeni elektroliti so korozivni in lahko poškodujejo oči ali kožo. Lahko so strupeni, če jih zaužijete.
- Pri ravnanju z baterijami bodite previdni in pazite, da ne povzročite kratkega stika s prevodnimi materiali, kot so prstani, zapestnice in ključi. Baterija ali prevodnik se lahko pregrejeta in povzročite opekline.
- Nadomestni deli – Pri servisiranju uporabljajte le identične nadomestne dele EGO. Uporaba drugih dodatkov ali priključkov lahko poveča nevarnost poškodb.
- Baterijskih orodij ni potrebno priklopiti v električno vtičnico, zato so vedno v stanju delovanja. Zavedajte se mogočih nevarnosti tudi, ko orodje ne deluje. Bodite previdni pri vzdrževanju ali servisiranju.
- Pred servisiranjem, čiščenjem ali odstranjevanjem materiala iz motorne kose, odstranite baterijski sklop ali ločite povezavo.
- Naprave ne umivajte s cevjo. Voda naj ne pride v motor ali električne priključke.

SL

- Če pride do situacij, ki niso zajete v tem priročniku, bodite pazljivi in uporabite dobro presojo. Za pomoč stopite v stik servisnim centrom EGO.

TA NAVODILA SHRANITE!

TEHNIČNI PODATKI

| | | | |
|---|--|--|---------------------------------|
| Enota za košnjo | Glava kosilnice | 3-zobo kovinsko rezilo | |
| Napetost | 56 V  | 56 V  | |
| Hitrost brez obremenitve | 4500-6000 /min | 4500-6000 /min | |
| Vrsta nitke za košnjo | 2,4mm najlonska zavita nitka | / | |
| Rezilo za košnjo | / | ABB1203 | |
| Širina košnje | 38 cm | 30 cm | |
| Teža (Brez paketa baterij) | 4,35 kg | 4,64 kg | |
| Izmerjena raven zvočnega tlaka L_{WA} | 94,80 dB(A); K=1,01 dB(A) | 94,04 dB(A); K=1,71 dB(A) | |
| Raven zvočnega tlaka v položaju upravljalca L_{PA} | 80,2 dB(A); K=2,5 dB(A) | 80,0 dB(A); K=4,1 dB(A) | |
| Zajamčena raven zvočnega tlaka L_{WA} (glede na 2000/14/EC) | 96 dB(A) | 96 dB(A) | |
| Vrednotenje oddajanja vibracij a_h : | Levi ročaj | 2,28 m/s^2 ; K=1,5 m/s^2 | 1,55 m/s^2 ; K=1,5 m/s^2 |
| | Desni ročaj | 2,38 m/s^2 ; K=1,5 m/s^2 | 1,88 m/s^2 ; K=1,5 m/s^2 |

SL

- Deklarirana skupna vrednost vibracij je bila izmerjena v skladu s standardno preskusno metodo in se lahko uporabi za medsebojno primerjavo različnih orodij;
- Navedena skupna vrednost vibracij se lahko uporabi za predhodne ocene izpostavljenosti.

OPOMBA: Emisije vibracij se lahko med dejansko uporabo električnega orodja razlikujejo od deklarirane vrednosti, pri kateri se orodje uporablja. Z namenom zaščite upravljalca mora uporabnik v dejanskih pogojih uporabe nositi rokavice in zaščitno za ušesa.

SEZNAM PAKIRANJA

| IME DELA | KOLIČINA |
|---------------------------------|----------|
| Motorna kosa | 1 |
| 3-zobo rezilo s tokom | 1 |
| Sklop varovala | 1 |
| Matica | 1 |
| Zunanja prirobnica | 1 |
| Imbus ključ | 1 |
| Večnamenski ključ | 1 |
| Dvojni naramni jermen | 1 |
| Priročnik z navodili za uporabo | 1 |

OPIS

SPOZNAJTE SVOJO MOTORNO KOSO (slika A)

1. Ročica za omejitve hitrosti
2. Vzvod za odklepanje
3. Krilni vijak
4. Sprožilec
5. Kolesarsko krmilo
6. Gred
7. Nitka za košnjo
8. Sklop varovala
9. Glava kosilnice
10. Tesnilni vijak
11. Odprtina za zaklep gredi
12. Varovalo
13. Večnamenski ključ
14. Imbus ključ
15. 3-zobo rezilo
16. Zunanja prirobnica
17. Matica
18. Gumb za sprostitve
19. Zaščitna gumijasta blazinica
20. Zapah
21. Električni kontakti
22. Mehanizem za izmet
23. Zaponka pasu
24. Bočna podloga

⚠ OPOZORILO: orodja nikoli ne upravljajte brez ščitnika trdno nameščenega na mestu. Ščitnik mora biti vedno nameščen na orodju za zaščito uporabnika.

⚠ OPOZORILO: Ko je orodje opremljeno z glavo kosilnice, mora biti na varovalo nameščen dodatek varovala z rezilom/nitko za košnjo. Če ne upoštevate teh navodil, lahko pride do predolge nitke in preobremenitve motorja. Glave kosilnice nikoli ne uporabljajte brez dodatka varovala.

SESTAVA

⚠ OPOZORILO: če so deli poškodovani ali manjkajo, motorne kose ne uporabljajte, dokler deli niso zamenjani. Če to motorno koso uporabljate s poškodovanimi ali manjkajočimi deli, se lahko resno poškodujete.

⚠ OPOZORILO: e motorne kose ne poskušajte spreminjati in ne poskušajte izdelovati dodatkov, ki niso primerni za uporabo s tem izdelkom. Vsako koso spreminjanje je zloraba in lahko privede do tveganj, ta pa do hudih telesnih poškodb.

⚠ OPOZORILO: Pri nameščanju ali odstranjevanju varovala in pri izvajanju kakršnih koli vzdrževalnih del na 3-zobem rezilu/rezilu za košnjo, uporabljajte zaščitne rokavice. Bodite pozorni, da si pri delu z rezilom/nitko za košnjo oz. 3-zobim rezilom ne poškodujete rok.

⚠ OPOZORILO: Da preprečite nenamerni zagon, ki bi lahko povzročil resno telesno poškodbo, pri nameščanju delov ali transportu orodja vedno odstranite baterijski sklop.

⚠ OPOZORILO: orodja nikoli ne upravljajte, če ni pritrjeno varovalo in kolesarsko krmilo. Če tega ne upoštevate, lahko pride do hudih telesnih poškodb.

MONTAŽA IN PRILAGAJANJE KOLESARSKEGA KRMILA

Motorna kosa je shranjena tako, kot prikazuje slika B. Najprej odvijte krilni vijak na povezovalnem spoju, nato dvignite kolesarsko krmilo za 180° okoli gredi (slika C) in ga zavrtite za 90° v nasprotni smeri urinega kazalca, da bo obrnjeno proti udarni glavi (slika D). Za konec krmilo premaknite naprej in nazaj, da ga nastavite v udoben delovni položaj in privijte vijak.

OPOMBA: Napravo lahko uporabljate le takrat, ko je kolesarsko krmilo nameščeno pravokotno na gred.

NAMEŠČANJE VAROVALA

Odvijte vijaka z osnove gredi (sl. E), poravnajte odprtine za montažo zaščite z odprtinami na delu in pritrдите zaščito na osnovo gredi z vijakoma ter dvema vzmetnima podložkama (sl. F).

Prepričajte se, da je ščitnik pritrjen v skladu s slikama E in F. Kakršna koli drugačna namestitve bo povzročila veliko nevarnost.

ZAMENJAVA GLAVE KOSILNICE S 3-ZOBIM REZILOM

Navodila za demontažo glave kosilnice upoštevajte navodila (slika G), prikazana na slikah od H-1 do H-4 (glejte navodila v razdelku »zamenjava nitke«). Za namestitve rezila upoštevajte navodila spodaj:

1. Montaža komponente s kovinskim rezilom (slika I).
2. Odstranite dodatek varovala tako, da sprostite tri vijake s podložko (slika J).
3. Rezilo je dostavljeno s tokom. Preden namestite rezilo na motorno koso, odstranite tok tako, da odpnete žično zaponko s kavlja na toku (slika K).

Sliki G-K: za opis delov glejte spodaj:

| | | | |
|-----|--------------------------|-----|--------------------|
| G-1 | Notranja prirobnica | I-3 | Pokrov prirobnice |
| G-2 | Pokrov prirobnice | I-4 | 3-zobo rezilo |
| G-3 | Sestava zgornjega ohišja | I-5 | Zunanja prirobnica |
| G-4 | Podložka | I-6 | Matica |
| G-5 | Matica | I-7 | Reža v prirobnici |
| G-6 | Vzmet | J-1 | Rezilo |
| G-7 | Nitka za košnjo | J-2 | Varovalo |
| G-8 | Sestava spodnjega ohišja | K-1 | Žična zaponka |
| I-1 | Motorna gred | K-2 | Kavelj |
| I-2 | Notranja prirobnica | | |

OPOMBA: Pred kakršnim koli delom s 3-zobim rezilom si morate nadeti zaščitne rokavice, da se zaščitite pred poškodbami.

4. Zavrtite gred motorja tako, da bo reža v notranji prirobnici poravnana z odprtino za zaklep gredi v ohišju zobnikov (slika L)

SL

5. Vstavite imbus ključ v poravnani odprtini, da preprečite premikanje (slika M).

Sliki L in M: za opis delov glejte spodaj:

| | | | |
|-----|------------------------------------|-----|--------------|
| L-1 | Ohišje zobnikov | L-3 | Motorna gred |
| L-2 | Poravnani odprtini za zaklep gredi | M-1 | Stabilizator |

6. Namestite rezilo na motorno gred. Pri tem poskrbite, da bo površina rezila poravnana s površino izbokline na notranji prirobnici. Namestite zunanjo prirobnico in matico (slika N). Matico z roko vnaprej privijte V NASPROTNI SMERI URINEGA KAZALCA.

Sliki N: za opis delov glejte spodaj:

| | |
|-----|--------------------|
| N-1 | Matica |
| N-2 | Zunanja prirobnica |
| N-3 | 3-zobo rezilo |

7. Položite ohišje zobnikov na trdo površino, ki bo nudila ustrezno podporo. Z eno roko pridržite gred motorne kose, z drugo pa primite večnamenski ključ in zategnite matico v smeri, označeni s puščico na zunanji prirobnici (slika O).

UPORABA DODATKA VAROVALA

OPOMBA: Ko je motorna kosa opremljena z glavo kosilnice, mora biti na varovalo nameščen dodatek varovala.

Pritrdite dodatek varovala na varovalo tako, da zategnete tri vijake z imbus ključem, da bo rezilo/nitka za košnjo opremljena z dodatkom varovala. Če ne upoštevate teh navodil, lahko pride do predolge nitke za košnjo in preobremenitve motorja.

DELOVANJE

SL

⚠ OPOZORILO: Četudi se dodobra seznanite s tem izdelkom, pri rokovanju z njim ne postanite neprevidni. Pomnite, da je brezskrbni delec sekunde dovolj za resno poškodbo.

⚠ OPOZORILO: vedno nosite zaščito za oči in ušesa. Če tega ne storite, vam lahko v oči priletijo predmeti ali pride do drugih hudih poškodb.

⚠ OPOZORILO: Ne uporabljate priključkov ali dodatkov, ki jih proizvajalec tega izdelka ne priporoča. Uporaba priključkov ali dodatkov, ki niso priporočeni, lahko privede do hudih telesnih poškodb.

APLIKACIJE

To motorno koso lahko uporabljate za naslednje namene:

- **S 3-zobim kovinskim rezilom:** Košnja trave, plevela in grmovja s premerom debela največ 2 cm.

- **Z glavo kosilnice:** košnja trave in plevela okoli verand, ograj in poti.

OPOMBA: Izdelek se lahko uporablja samo za predpisan namen. Kakršna koli druga uporaba, kot je obrezovanje robov, se smatra za nepravilno uporabo.

NAMEŠČANJE/ODSTRANJEVANJE BATERIJSKEGA SKLOPA

Pred prvo uporabo popolnoma napolnite baterijski sklop.

Nameščanje

Rebra baterije poravnajte z režami za namestitev in baterijski sklop potisnite navzdol, da zaslišite »klik« (slika P).

Odstranjevanje

Pritisnite gumb za sprostitvev baterije in izvlecite baterijski sklop (slika Q).

Sliki P: za opis delov glejte spodaj:

| | |
|-----|--------------------|
| P-1 | Reža za namestitev |
| P-2 | Rebro |

NAMEŠČANJE DVOJNEGA NARAMNEGA JERMENA IN DRŽANJE NAPRAVE

Nadenite si dvojni naramni jermen in vtaknite dela zaponke pasu enega v drugega, da zaslišite klik (slika R-1). Poravnajte bočno podlogo v odprto cevaste sponke na gredi, nato pa gred nežno pritisnite navzdol (slika R-2, R-3 in R-4).

Kosilnico z nitko držite z obema rokama ob desni strani telesa (slika S). Glava kosilnice ali rezilo mora biti vzporedno s tlemi na primerni razdalji za košnjo, ne da bi se moral upravljavec pripogibati.

Motorno koso lahko snamete na dva načina. Sprostite zaponko pasu (slika T) ali pa pritisnite kavelj pasu in jo izvlecite iz cevaste sponke na gredi (slika R-2).

⚠ OPOZORILO: V nujnem primeru napravo nemudoma snemite z ramen, ne glede na to, kako je pas pritrjen. Napravo najhitreje snamete tako, da sprostite zaponko pasu (slika T) in z obema rokama snemite pas.

⚠ OPOZORILO: ne uporabljajte enojnega in dvojnega pasu hkrati.

ZAGON/ZAUSTAVITEV MOTORNE KOSE

Zagon

Vzvod za odklepanje pritisnite navzdol, in ga držite v tem položaju. Pritisnite sprožilec (slika U)

Drugačen pritisk na sprožilcu se odrazi v spremenljivi hitrosti vrtenja komponente za košnjo. Po potrebi prilagodite vzvod za omejitev hitrosti tako, da nastavite največjo hitrost.

OPOMBA: Vzvod za omejitev hitrosti lahko nastavite vnaprej tako, da omejitev hod sprožilca.

Zaustavitev

Spustite sprožilec.

OPOMBA: Motor teče le, kadar pritisnete na vzvod za odklepanje in sprožilec.

⚠ OPOZORILO: Med delovnimi odmori in po končanem delu iz kosilnice z nitko vedno odstranite baterijski sklop.

UPORABA NAPRAVE

⚠ OPOZORILO: Za uporabo motorne kose se primerno oblecite, da zmanjšate nevarnost poškodb. Ne nosite ohlapnih oblačil ali nakita. Nosite zaščito za oči in ušesa. Nosite trpežne dolge hlače, škornje in rokavice. Ne nosite kratkih hlač ali sandal in ne uporabljajte naprave bosu.

Pred uporabo poskrbite za varno delovno območje brez drugih ljudi, živali ali nepritrjenih predmetov. Poskrbite, da bodo mimoidoči oddaljeni najmanj 15 m. Nato poskrbite za ustrezno zaščito oči, ustrezna oblačila in ustrezno podlago.

Pred vsako uporabo preverite, ali ima naprava poškodovane/obrabljene dele. Oglejte si glavo kosilnice, 3-zobo rezilo, varovalo, dodatek varovala, kolesarsko krmilo in dvojni naramni jermen ter po potrebi zamenjajte počene, zvite, ukrivljene ali drugače poškodovane dele. Rezilo z nitko na robu dodatka varovala lahko sčasoma postane topo. Priporočljivo je, da ga redno ostrite s pilo ali ga zamenjate z novim rezilom.

Po vsaki uporabi motorne kose jo očistite

UPORABA GLAVE KOSILNICE

Prilagajanje dolžine nitke za košnjo

Glava kosilnice z nitko upravljavcu omogoča sprostitev več nitke za košnjo brez zaustavitve motorja. Ko se nitka scefra ali obrabi, lahko sprostite dodatno nitko tako, da z gumbom za podajanje narahlo potolčete ob tla med delovanjem kosilnice (slika V).

OPOMBA: Sproščanje nitke bo postalo težje, ko bo nitka postajala krajša.

⚠ OPOZORILO: sklopa rezila ne odstranjujte ali spreminjajte. Prevelika dolžina nitke bo povzročila pregrevanje motorja, ki lahko povzroči resno telesno poškodbo.

Zamenjava nitke

OPOMBA: Vedno uporabljajte priporočeno najlonsko nitko za košnjo s premerom, ki ni večji od 2,4 mm. Uporaba drugačne nitke lahko povzroči pregretje ali poškodbe motorne kose.

⚠ OPOZORILO: nikoli ne uporabljajte nitke s kovinsko ojačitvijo ali žice, vrvi itd. Lahko se odtrgajo in postanejo nevarne.

1. Odstranite baterijski sklop.
2. Če je treba, odstranite preostalo nitko za košnjo.
3. Držalo vretena po potrebi zasučite v smeri puščice, da poravnate črto LOAD na držalu vretena z vstavitvenimi odprtini na podnožju vretena (slika W-1).
4. Odrežite 5 m nitke za košnjo in vstavite nitko v vstavitveno odprtino (slika W-2). Potisnite in na drugi strani povlecite nitko ven, tako da bosta na obeh straneh vretena enaki dolžini nitke (slika W-3).
5. Med vrtenjem držala vretena v smeri puščice pritiskajte, da nitko navijete na vreteno in je na vsaki strani vretena približno 14 cm nitke (slika W-4).
6. Držalo vretena potiskajte navzdol, medtem ko ročno vlečete nitko za ročno namestitvev nitke, in da preverite pravilno namestitvev glave kosilnice z nitko.

Če se nitka za košnjo odlomi iz izhoda za nitko ali če se nitka ne sprostí, ko potolčete z glavo kosilnice, sledite spodnjim korakom:

1. Odstranite baterijski sklop.
2. Pritisnite jezičke za sprostitev držala vretena in odstranite držalo vretena tako, da ga izvlečete naravnost ven (sliki H-1 in H-2).
3. Nitko za košnjo odstranite iz držala vretena.
4. Z eno roko držite podnožje vretena, z drugo roko pa primite držalo vretena in poravnajte jezičke na držalu vretena z luknjami na podnožju vretena (slika X-1). Z dlanjo pritisnite in obračajte držalo vretena v levo in desno, da se jezički zaklenejo s podnožjem vretena (slika X-2).
5. Vnovična namestitvev nitke za košnjo.

UPORABA 3-ZOBEGA KOVINSKEGA REZILA

⚠ OPOZORILO: Za košnjo plevela in grmovja približajte vrteče se 3-zobo rezilo plevelu, da dosežete učinek sekanja. Motorno koso tik nad tlemi premikajte levo in desno podobno kot navadno koso. Enote za košnjo ne dvigujte nad višino pasu.

SL

⚠ OPOZORILO: Višje, kot je enota za košnjo od tal, večja je nevarnost poškodbe zaradi letečih predmetov s strani.

⚠ OPOZORILO: Med košnjo mladih poganjkov ali drugih olesenelih rastlin s premerom do 2 cm uporabite levo stran rezila, da se izognete morebitnim sunkom rezila. Ne poskušajte kositi olesenelega materiala z večjim premerom, saj se lahko rezilo zatakne ali pa motorno koso sune naprej. To lahko privede do poškodbe rezila ali motorne kose ali pa upravljavec izgubi oblast nad napravo, kar lahko privede do osebne poškodbe.

⚠ OPOZORILO: Če rezilo ne uporabljate pravilno, lahko to počni ali pa se zlomi. Deli lahko resno poškodujejo upravljavca ali mimoidoče. Obvezno upoštevajte za navodila, da zmanjšate nevarnost telesnih poškodb:

- Izogibajte se stika s trdimi tujki, kot so kamni ali kosi jekla.
- Nikoli ne režite lesa ali grmovja z deblom premera, večjega od 2 cm.
- V rednih kratkih intervalih preverjajte, ali so na rezilu znaki poškodb. Ne nadaljujte dela s poškodovanim rezilom.
- Redno obnovljajte ostrino rezila (ko je to opazno topo) in ga po potrebi uravnatežite (to mora izvesti usposobljen servisni tehnik).

Sunek rezila

Ko s to enoto uporabljate 3-zobo rezilo, bodite izredno previdni. Sunek rezila je pojav, do katerega lahko pride, ko vrteče rezilo pride v stik s predmetom, ki ga ne more pokositi. Zaradi tega stika se lahko rezilo za trenutek ustavi, nato pa enoto nenadoma »sune«
proč od predmeta, na ob katerega ste zadeli. Ta reakcija je lahko tako močna, da upravljavec izgubi nadzor na enoto. Do sunka rezila lahko pride brez vnaprejšnjega opozorila, če se rezilo zatakne, zaustavi med vrtenjem ali ukrivi. Večja verjetnost je, da do sunka rezila pride v območjih, kjer težko vidite material, ki ga režete. Zaradi lažjega košenja in večje varnosti se plevelu, ki ga želite pokositi, z motorno koso približajte z desne proti levi. Če naletite na nepričakovan ali olesenel predmet, lahko s tem zmanjšate sunek rezila.

VZDRŽEVANJE

⚠ OPOZORILO: pred pregledom, čiščenjem ali popravilom enote zaustavite motor, počakajte, da se zaustavijo vsi premikajoči se deli in odstranite baterijski sklop. Neupoštevanje teh navodil lahko povzroči hude telesne poškodbe ali materialno škodo.

⚠ OPOZORILO: pri servisiranju uporabljajte le identične nadomestne dele. Uporaba drugih delov je tvegana in lahko povzroči škodo na izdelku. Za zagotovitev varnosti in zanesljivosti mora vsa popravila izvesti usposobljen serviser.

SPLOŠNO VZDRŽEVANJE

Pri čiščenju plastičnih delov se izogibajte uporabi topil. Večina vrst plastike se lahko pri uporabi različnih komercialnih topil poškoduje. Za odstranjevanje umazanije, praha, olja in maščobe uporabljajte čiste krpe.

ČIŠČENJE NAPRAVE

■ Po vsaki uporabi 3-zobega rezila/glave kosilnice očistite ostanke in zemljo ali travo na rezilu ter varovalu z mehko krtačo.

OPOMBA: Ko rezilo za košnjo postane topo, ga mora naostriti kvalificiran servisni tehnik ali pa ga po potrebi zamenjajte z novim rezilom za košnjo.

- Po vsaki uporabi motorne kose očistite noto za košnjo z vlažno krpo in blagim detergentom.
- za čiščenje plastičnega dela ročaja ne uporabljajte močnih čistilnih sredstev. Poškodujejo ga lahko določena aromatična olja, kot sta olje bora in limone, ter topila, kot je kerozin. Vlaga prav tako lahko ustvari nevarnost električnega udara. Vlago obrišite z mehko in suho krpo.
- Zračne odprtine v zadnjem delu ohišja očistite z majhno krtačo ali majhnim sesalnikom.

SHRANJEVANJE NAPRAVE

- Iz orodja odstranite baterijski sklop.
- Za temeljito čiščenje uporabljajte zaščitne rokavice.
- Namestite tok rezila na 3-zobo rezilo za varno shranjevanje (slika Y).
- Shranite ga v suhem in dobro zračenem prostoru, ki se zaklepa ali je dvignjen, da ne bo na dosegu otrok. Naprave ne shranjujte na ali v bližini gnojil, bencina ali drugih kemikalij.

Varovanje okolja



Električne opreme, polnilnika baterij in baterij/baterij, ki jih je mogoče polniti, ne odvrzite med gospodinjske odpadke!

V skladu z evropskim zakonom 2012/19/EU glede električne in elektronske opreme, ki ni več uporabna, in v skladu z evropskim zakonom 2006/66/ES glede pokvarjenih ali izrabljenih baterijskih sklopov/baterij, je treba baterije zbrati ločeno.

Če električne naprave odvržete na smetišča, lahko nevarne snovi pronicajo v podtalnico in tako pridejo v prehranjevalno verigo, s čimer ogrozijo vaše zdravje in dobro počutje.

IZJAVA ES O SKLADNOSTI

DRUŽBA EGO EUROPE LTD.

Wahlwiesenstrasse 1, D-71711 Steinheim an der Murr
Deutschland

izjavljamo, da je izdelek **56-VOLTNA LITIJ-IONSKA
MOTORNA KOSA S KOLESARSKIM KRMILOM IN
KONČNO NAMEŠČENIM MOTORJEM BC3800E** skladna
z najpomembnejšimi zdravstvenimi in varnostnimi zahteva-
mi sledečih direktiv:

2006/42/EC, 2014/30/EU, 2011/65/EU, 2000/14/EC

Upoštevani standardi in tehnične specifikacije:

EN ISO 11806-1, EN 60745-1, EN 55014-1, EN 55014-2,
IEC 62321.

| | Glava kosilnice | 3-zobo kovinsko rezilo |
|---------------------------------|-----------------|------------------------|
| Izmerjena raven zvočnega tlaka: | 94,80 dB(A) | 94,04 dB(A) |
| Zajamčena raven zvočnega tlaka: | 96 dB(A) | 96 dB(A) |

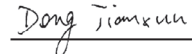
Postopek ugotavljanja skladnosti dodatka VI je v skladu z 2000/14/EC.

Priglašeni organ: DEKRA Certification B.V. Meander 1051 / P.O. box 5185 6525 MJ ARNHEM / 6802 ED ARNHEM, Netherlands

Številka priglašenege organa: 0344



Peter Melrose
Generalni direktor družbe
EGO Europe GmbH



Dong Jianxun
Vodja kakovosti pri družbi
Chevron

SL

* (Pooblaščen predstavnik družbe CHERVON in odgovorni za tehnično dokumentacijo.)

01/09/2017

ODPRAVLJANJE TEŽAV

| TEŽAVA | VZROK | REŠITEV |
|----------------------|--|--|
| Zagon ni mogoč. | <ul style="list-style-type: none"> ■ Baterijski sklop ni nameščen v motorno koso. ■ Med motorno koso in baterijskim sklopom ni električnega stika. ■ Baterijski sklop je izpraznjen. ■ Vzvod za odklepanje in sprožilec nista sočasno sproščena. | <ul style="list-style-type: none"> ■ Baterijski sklop namestite na pogonsko enoto. ■ Odstranite baterijo, preverite kontakte in ponovno namestite baterijski sklop, tako da se zaskoči. ■ Baterijske sklope polnite s polnilniki EGO, ki so navedeni v tem priročniku. ■ Vzvod za odklepanje pritisnite navzdol in ga pridržite, nato pa pritisnite sprožilec, da vključite motorno koso. |
| Ustavitev delovanja. | <ul style="list-style-type: none"> ■ Motor je preobremenjen. ■ Uporabljena je debela nitka za košnjo. ■ Baterijski sklop ali motorna kosa je prevroča. ■ Baterijski sklop je odklopljen iz orodja. ■ Baterijski sklop je izpraznjen. | <ul style="list-style-type: none"> ■ Motor bo zopet deloval, ko boste odstranili obremenitev. Za neprekinjeno delovanje zmanjšajte obremenitev pogonske enote. ■ Uporabljajte standardno najlonsko nitko za košnjo s premerom do 2,4 mm. ■ Počakajte, da se baterijski sklop ali pogonska enota ohladi do temperature pod 67 °C. ■ Ponovno namestite baterijski sklop. ■ Baterijske sklope polnite s polnilniki EGO, ki so navedeni v tem priročniku. |

SL

| TEŽAVA | VZROK | REŠITEV |
|--|--|---|
| <p>Glava kosilnice ne podaja nitke (samo pri uporabi glave kosilnice).</p> | <ul style="list-style-type: none"> ■ Na motorni gredi ali glavi kosilnice je navita trava. ■ Na vretenu ni dovolj nitke. ■ Glava kosilnice je umazana. ■ Nitka je zapletena na vretenu. ■ Nitka je prekratka. | <ul style="list-style-type: none"> ■ Ustavite napravo, odstranite baterijo in odstranite travo z motorne gredi in glave kosilnice. ■ Odstranite baterijo in zamenjajte nitko za košnjo, upoštevajte navodila v razdelku »ZAMENJAVA NITKE« v tem priročniku. ■ Odstranite baterijo in očistite vreteno, držalo vretena in podnožje vretena. ■ Odstranite baterijo, odstranite nitko z vretena in jo znova navijte, upoštevajte navodila v razdelku »ZAMENJAVA NITKE« v tem priročniku. ■ Odstranite baterijo in povlecite nitko, hkrati pa pritisčajte in sproščajte gumb za podajanje. |

GARANCIJA

GARANCIJSKA POLITIKA DRUŽBE EGO

Za popolne pogoje garancijske politike družbe EGO obiščite spletno stran egopowerplus.com.

SL

PERSKAITYKITE VISĄ INSTRUKCIJĄ!



PERSKAITYKITE NAUDOJIMO INSTRUKCIJĄ

⚠ Liekamoji rizika! Žmonės, kuriems implantuoti elektroniniai prietaisai, pvz., širdies stimulatoriai, prieš pradėdami naudoti šį gaminį turėtų pasikonsultuoti su savo gydytoju (-ais). Šalia širdies stimulatoriaus veikianti elektros įranga gali sukelti širdies stimulatoriaus veikimo trukdžius arba gedimą.

⚠ ĮSPĖJIMAS: Norint užtikrinti saugų ir patikimą gaminių naudojimą, visus remonto ir keitimo darbus turi atlikti kvalifikuotas techninės priežiūros specialistas.

SAUGOS SIMBOLIAI

Šių simbolių paskirtis – atkreipti dėmesį į galimus pavojus. Gerai susipažinkite su saugos simboliais bei jų paaiškinimais ir juos įsidėmėkite. Simbolių įspėjimai patys savaime negali apsaugoti nuo pavojų. Jais žymimi nurodymai ir įspėjimai neatstoja tinkamų nelaimingų atsitikimų prevencijos priemonių.

⚠ ĮSPĖJIMAS: Prieš pradėdami naudoti šį įrankį perskaitykite visus šioje naudojimo instrukcijoje pateiktus saugos nurodymus, taip pat susipažinkite su visais saugos įspėjamaisiais simboliais, tokiais kaip „PAVOJUS“, „ĮSPĖJIMAS“ ir „DĖMESIO“, ir įsitikinkite, kad juos supratote. Nesilaikant visų toliau išdėstytų nurodymų galima patirti elektros smūgį, sukelti gaisrą ir (ar) sunkiai susižaloti.

SIMBOLIO REIKŠMĖ

⚠ SAUGOS ĮSPĖJAMASIS SIMBOLIS: rodo PAVOJŲ, ĮSPĖJIMĄ ar DĖMESIO ir gali būti naudojamas su kitais simboliais ar piktogramomis.



⚠ ĮSPĖJIMAS: naudojant bet kokius elektrinius įrankius, į akis gali patekti ir sunkiai sužaloti įrankio išsviesti svetimkūniai. Prieš pradėdami naudotis elektriniu įrankiu, visada užsidėkite apsauginius akinius arba apsauginius akinius su šonine apsauga ir, kai reikia, visą veidą dengiantį skydelį. Rekomenduojame ant akinių uždėti platų matymo lauką užtikrinančią apsauginę kaukę arba užsidėti standartinius apsauginius akinius su šonine apsauga.

SAUGOS NURODYMAI

Šiame puslapyje pavaizduoti ir aprašyti saugos simboliai, kurių gali būti ant šio gaminio. Prieš pradėdami įrankį surinkinėti ir naudoti, perskaitykite visus ant jo pateiktus nurodymus, įsitikinkite, kad juos supratote, ir jų laikykitės.

| | | |
|--|---|--|
| | Saugos įspėjimas | Rodo galimą sužalojimo pavojų. |
| | Perskaitykite naudojimo instrukciją | Kad sumažintų pavojų susižaloti, naudotojas turi perskaityti naudojimo instrukciją ir įsitikinti, kad ją suprato. |
| | Dėvėkite akių apsaugos priemones | Naudodami šį gaminį visada užsidėkite apsauginius akinius arba apsauginius akinius su šonine apsauga ir visą veidą dengiantį skydelį. |
| | Dėvėkite ausų apsaugos priemones | Būtinai naudokite klausos organų apsaugą (ausų kamštėlius arba apsaugines ausines). |
| | Užsidėkite galvos apsaugos priemonę | Galvai apsaugoti užsidėkite patvirtintą apsauginį šalmą. |
| | Mūvėkite apsaugines pirštines | Mūvėkite apsauginėmis pirštinėmis, tvarkydami pjovimo diską ar jo apsaugą. Tvirtomis neslidžiomis pirštinėmis įrankį galima geriau suimti ir apsaugoti rankas. |
| | Avėkite apsauginę avalynę | Dirbdami šia įranga avėkite neslidžią apsauginę avalynę. |
| | Saugokitės pjovimo galvutės atatrakos | Įspėkite operatorių apie pjovimo galvutės atatrakos pavojų. |
| | Saugokitės rikošeto ir neleiskite prisitarti pašaliniais asmenims | Išsviesti svetimkūniai gali atšokti ir sužaloti žmones ar sugadinti turą. Kiti žmonės ir naminiai gyvūnai turi atsi-traukti toliau nuo naudojamos žoliapjovės. |

LT

| | | |
|----------------|---|--|
| | Neleiskite prisitrinti pašaliniams asmenims | Kiti žmonės ir naminiai gyvūnai turi atsitraukti ne mažesniu kaip 15 m atstumu nuo naudojamos žoliapjovės. |
| | Neapskritas pjovimo diskas | Negalima tvirtinti apskritų pjovimo diskų. |
| | Nenaudokite lyjant lietui | Nenaudokite lyjant lietui ir nepalikite lauke, kai lyja. |
| | CE | Šis gaminys atitinka taikomas EB direktyvas. |
| | WEEE | Senų elektrinių gaminių negalima išmesti kartu su buitinėmis atliekomis. Atiduokite įgaliotam perdirbėjui. |
| | Triukšmas | Garantuojamas garso galios lygis. Triukšmo sklaida į aplinką atitinka Europos Bendrijos direktyvą. |
| V | Voltas | Įtampa |
| | Nuolatinė elektros srovė | Srovės tipas arba charakteristika |
| n ₀ | Sūkiai be apkrovos | Sukimosi greitis, kai nėra apkrovos |
| ... /min | Per minutę | Apsisukimai per minutę |

SVARBŪS SAUGOS NURODYMAI

⚠️ ĮSPĖJIMAS! Naudodami šį gaminį, visada laikykitės pagrindinių atsargumo priemonių, kad sumažintumėte gaisro, elektros smūgio ir susižalojimo pavojų, įskaitant:

ATIDŽIAI PERSKAITYKITE PRIEŠ NAUDODAMI PASIDĖKITE, KAD PRIREIKUS GALĖTUMĖTE PASIŽIŪRĖTI

⚠️ PAVOJUS! Nepasikliaukite įrankio izoliacija nuo elektros smūgio. Norėdami sumažinti elektros smūgio pavojų, niekada įrankiu nesinaudokite netoli bet kokių laidų ar kabelių (elektros ir pan.), kuriais gali tekėti elektros srovė.

⚠️ DĖMESIO! Naudodami dėvėkite tinkamas asmenines klausos apsaugos priemones. Tam tikromis sąlygomis ir dėl naudojimo trukmės šio gaminio keliamas triukšmas gali prisidėti prie klausos netekimo.

MOKYMAS

- Atidžiai perskaitykite instrukciją. Susipažinkite su valdymo įtaisais ir nurodymais, kaip tinkamai įrankį naudoti.
- Įrankio niekada neleiskite naudoti vaikams arba žmonėms, nesusipažinusiems su šia instrukcija. Vietiniai teisės aktai gali riboti operatoriaus amžių.
- Turėkite omenyje, kad operatorius arba naudotojas atsako už nelaimingus atsitikimus ir pavojus, keliamus kitiems žmonėms ir jų nuosavybei.

PASIRUOŠIMAS

- Niekada nenaudokite šio įrankio, kai netoliese yra žmonių, ypač vaikų, arba naminių gyvūnų.
- Visada naudodami įrankį dėvėkite akių apsaugos priemones ir avėkite tvirtais batais.
- Visi pašaliniai asmenys turi būti atsitraukti ne mažesniu kaip 15 m atstumu nuo naudojamo įrankio.

NAUDOJIMAS

- Krūmapjovę naudokite tik dieną arba esant tinkamam dirbtiniam apšvietimui.
- Niekada nenaudokite krūmapjovės, jeigu jos apsaugos ar skydeliai sugadinti arba neuždėti.
- Variklį junkite tik atitraukę rankas ir kojas nuo pjovimo priemonių.
- Visada atjunkite krūmapjovę nuo maitinimo šaltinio (t. y. eemaldage akuplokk):
 - kai paliekate krūmapjovę be priežiūros;
 - prieš valydami užstrigusią pjovimo galvutę;
 - prieš krūmapjovę tikrindami, valydami arba tvarkydami;
 - užkliudę pašalinį daiktą;
 - jei krūmapjovė pradeda neįprastai vibruoti.
- Saugokite rankas ir kojas nuo pjovimo priemonių.
- Vėdinimo angos visada turi būti švarios.

LT

TECHNINĖ PRIEŽIŪRA IR LAIKYMAS

- Prieš pradėdami techninės priežiūros arba valymo darbus atjunkite krūmaprovę nuo maitinimo šaltinio (t. y. eemaldage akuplokk).
- Naudokite tik gamintojo rekomenduojamas atsargines dalis ir priedus.
- Krūmaprovę reguliariai tikrinkite ir techniškai prižiūrėkite. Įrenginio remontą patikėkite tik įgaliotam remonto meistriui.
- Nenaudojamą krūmaprovę laikykite vaikams neprieinamoje vietoje.

KITI SAUGOS ĮSPĖJIMAI

- **Neleiskite prisitarti vaikams** – visi pašaliniai asmenys turi atsitraukti ne mažesniu kaip 30 m atstumu nuo darbo zonos.
- **Venkite pavojingos aplinkos** – nenaudokite įrankio drėgnuose ar šlapiuose šlaituose.
- **Visada palikdami krūmaprovę be priežiūros ją išjunkite arba išimkite akumuliatorių bloką.**
- **Nenaudokite lyjant lietu.**
- **Tinkamai apsirenkite** – nedėvėkite laisvų drabužių, papuošalų, trumpų kelnų, sandalų ir nedirbkite basi. Besisukančios dalys gali juos įtraukti. Visada mūvėkite tvirtomis ilgomis kelnėmis ir dėvėkite marškinius ilgomis rankovėmis. Dirbant lauke rekomenduojama mūvėti gumines pirštines ir avėti tvirtą avalynę. Užsidėkite apsauginį galvos apdangalą, kad uždengtumėte ilgus plaukus.
- **Užsidėkite apsauginius akinius** – visada užsidėkite veido kaukę ar kaukę nuo dulkių, jei darbo metu kyla dulks.
- **Naudokite tinkamą įrankį**– nenaudokite įrankio jokiems kitiems darbams, išskyrus numatytąjį.
- **Per daug nedidinkite krūmaprovės greičio** – ji geriau pjaus ir kils mažesnis sužalojimo pavojus, jeigu dirbs numatytu greičiu.
- **Nesistenkite pernelyg toli pasiekti** – tvirtai stovėkite ir visada išlaikykite pusiausvyrą.
- **Būkite budrūs** – stebėkite, ką darote. Vadovaukitės sveika nuovoka. Nedirbkite su krūmaprove, kai esate pavargę.
- **Nedirbkite su krūmaprove, jei esate apsvaigę nuo alkoholio arba vaistų.**
- **Nenuimkite uždėtų techniškai tvarkingų apsaugos priemonių.**
- **Atitraukite rankas ir kojas nuo pjovimo zonos.**

- **Laikykite krūmaprovę patalpoje** – nenaudojamą krūmaprovę išėmus akumuliatorių bloką reikia laikyti patalpoje, sausoje ir aukštai iškeltoje ar rakinamoje vaikams nepasiekiamoje vietoje.
- **Krūmaprovę kruopščiai prižiūrėkite** – pjovimo galvutė turi būti švari, kad geriau pjautų ir sumažėtų sužalojimo pavojus. Laikykites nurodymų dėl priedų keitimo. Rankenos turi būti sausas, švarios ir neišteptos alyva ar tepalu.
- **Tikrinkite pažeistas dalis** – prieš toliau naudodami krūmaprovę, atidžiai patikrinkite apsaugą ar kitą pažeistą dalį, kad nustatytumėte, ar ji tinkamai veiks ir atliks savo numatytą funkciją. Patikrinkite, ar išcentruotos besisukančios dalys, ar jos nekliūna, ar nėra sulūžusių dalių ir tvirtinimų ar kokių nors kitų aplinkybių, kurios galėtų daryti įtaką įrankio darbui. Pažeistas apsaugas ar kitas dalis reikia tinkamai suremontuoti arba pakeisti įgaliotame techninės priežiūros centre, jei šiame vadove nenurodyta kitaip.
- **Patikrinkite visas tvirtinimo detales, ar jos savo vietose ir priveržtos.** Pjovimo galvutės apsauga turi būti tinkamai pritvirtinta ir gamintojo rekomenduojamoje padėtyje.
- **Prieš kiekvieną pjovimą išvalykite darbo zoną.** Pašalinkite visas kliūtis, pvz., akmenis, stiklo duženas, vinis, vielas arba virveles, kurias pjovimo įtaisas gali išsviesti arba kurios gali jame įstrigti. Pasirūpinkite, kad darbo zonoje nebūtų vaikų, pašalinių asmenų ir naminių gyvūnų. Visi vaikai, pašaliniai asmenys ir naminiai gyvūnai turi būti ne arčiau kaip už 15 m; netgi tokioje zonoje išlieka sužalojimo nuo išsviestų daiktų pavojus. Šalia esantys asmenys turėtų dėvėti akių apsaugą.
- **Prieš naudodami krūmaprovę ir po bet kokie smūgio patikrinkite, ar nėra susidėvėjimo ar pažeidimo požymių ir, jei reikia, suremontuokite.**
- **Veikiančią krūmaprovę visada tvirtai laikykite abiem rankomis už rankenų.** Sugniaužkite pirštus ir nykščius aplink rankenas.
- **Saugokitės atsitiktinio įjungimo** – neneškite krūmaprovės laikydami pirštą ant jungiklio.
- **Nenaudokite krūmaprovės sprogojeje aplinkoje arba aplinkoje, kurioje yra dujų.** Šių įrankių varikliai paprastai kibirkščiuoja, o kibirkštys gali uždegti dujas.
- **Krūmaprovės pažeidimas** – jeigu krūmaprovę atsitrenkia į kliūtį arba joje įspainioja, nedelsdami ją išjunkite, išimkite akumuliatoriaus bloką ir patikrinkite, ar įrankis nepažeistas; bet kokie pažeidimai turi būti pašalinti prieš tęsiant darbą. Nedirbkite su pažeista apsauga ar pjovimo priedu.

- Jei įrankis pradeda neįprastai vibruoti, nedelsdami išjunkite variklį, išimkite iš krūmapjovės akumulatoriaus bloką ir nustatykite priežastį. Vibracija paprastai įspėja apie problemą. Atsipalaidavęs pjovimo priedas gali vibruoti, įskilti, sulūžti ar atitrūkti nuo įrankio galvutės, sunkiai ar net mirtinai sužalodamas. Patikrinkite, ar pjovimo priedas tinkamai uždėtas ir pritvirtintas. Jeigu savo padėtyje užfiksuotas pjovimo priedas atsipalaiduoja, jį reikia iš karto pakeisti. Niekada nenaudokite krūmapjovės su atsipalaidavusiu pjovimo priedu.
- Nedelsdami pakeiskite įskilusį, pažeistą ar susidėvėjusį pjovimo priedą, netgi jei įtrūkimai tik paviršiniai. Tokie priedai sukdamiesi dideliu greičiu gali subyrėti ir sunkiai ar net mirtinai sužaloti.
- Kad sumažintumėte susižalojimo pavojų, niekada nedirbkite stovėdami ant kopėčių ar ant kito nestabilus pagrindo. Niekada pjovimo priedo nelaikykite iškelę aukščiau juosmens lygio.
- Vietoje nailoninių pjovimo lynelių niekada nenaudokite vielos, nes ji gali atitrūkti ir skriedama dideliu greičiu sužaloti patį operatorių ar pašalinius asmenis.
- Tvirtai stovėkite ir išlaikykite pusiausvyrą. Nesistenkite pasiekti pernelyg toli. Pjovimo priedo nekelkite aukščiau juosmens lygio. Visas kūno dalis stenkitės atitraukti toliau nuo besisukančio pjovimo priedo.
- Darbo metu pjovimo priedą tikrinkite reguliariai arba tuoj pat, jei pastebite pasikeitusį pjovimo pobūdį.
- Naudokite tik EGO patvirtintą polimerinį pjovimo lynelį ir diskus, skirtus naudoti su šia krūmapjove. Kai kurie nepatvirtinti pjovimo priedai gali būti labai pavojingi ir (ar) sugadinti įrankį.
- Jeigu link jūsų artėja asmuo, nedelsdami išjunkite variklį ir sustabdykite pjovimo priedą.
- Įspėkite operatorių apie pjovimo galvutės atatrakos pavojų (tik naudojant tridantį diską).
 - Atatranka gali įvykti, kai besisukantis pjovimo diskas prisiliečia prie kliūties, kurios jis negali iš karto perpjauti.
 - Pjovimo disko atatranka gali būti gana stipri ir atstumti įrankį ir (ar) operatorių bet kuria kryptimi (galima nesuvaldyti įrankio).
 - Pjovimo disko atatranka gali įvykti netikėtai, jei diskas užkliūna ar įstringa.
 - Tokia atatranka dažniausiai įvyksta tokiose vietose, kur sunku įžiūrėti pjaunamą medžiagą.

- Netvirtinkite prie pjovimo galvutės jokių diskų, tinkamai neuždėję visų būtinų dalių. Neuždėjus reikiamų dalių diskas gali atitrūkti ir skriedamas sunkiai sužaloti patį operatorių ir (ar) pašalinius asmenis. Išmeskite sulinkusius, deformuotus, įtrūkusius, sulūžusius ar kitaip pažeistus pjovimo diskus. Naudokite išgaląstus diskus. Atšipę diskai dažniau stringa ir atšoka (tik naudojant tridantį diską).
- Reikia saugiai utilizuoti akumulatoriaus bloką.
- Iš inercijos besisukantis pjovimo diskas (lynelis) gali sužaloti, kai jis sukasi atleidus jungiklį ir išjungus variklį. Nepraraskite budrumo, kol pjovimo diskas (lynelis) visiškai sustos.
- Akumulatoriaus bloko nebandykite įkrauti lietuje ar drėgnose vietose.
- Naudokite tik lentelėje nurodytus akumuliatorių blokus ir įkroviklius:

| BATERIJA | ĮKROVIKLIS |
|---|--------------------|
| BA1120E, BA1400, BA2240E, BA2800, BA3360, BA4200, BAX1300 | CH2100E CH5500E |

- Prieš atiduodant įrenginį į metalo laužą, būtina išimti akumuliatorių.
- Nemeskite akumulatoriaus į ugnį. Elementai gali sprogti. Pasitikrinkite vietiniuose teisės aktuose, ar nėra specialių utilizavimo nurodymų.
- Akumuliatorių draudžiama ardyti ar gadinti. Ištekėjęs elektrolitas sukelia koroziją ir gali pakenkti akims ar odai. Jis gali būti nuodingas prarijus.
- Kad išvengtumėte trumpojo jungimo, atsargiai elkitės su akumulatoriais: saugokite nuo tokių laidininkų, kaip žiedai, apyrankės ir raktai. Akumulatorius ar laidininkas gali įkaisti ir nudeginti.
- Atsarginės dalys – remontuodami įrankį naudokite tik identiškas EGO atsargines dalis. Bet kokio kito priedo arba prietaiso naudojimas kelia sužalojimo pavojų.
- Akumuliatorių įrankių nereikia jungti į elektros lizdą; dėl to jie visada yra darbinėje būklėje. Net įrankiui neveikiant neužmirškite apie jo keliamus pavojus. Atlikdami remonto arba techninės priežiūros darbus, būkite atidūs.
- Prieš atlikdami techninės priežiūros darbus, valydami arba šalindami į krūmapjovę patekusias šiukšles, išimkite arba atjunkite akumulatoriaus bloką.
- Neplaukite vandens žarna. Saugokite, kad vandens nepatektų ant variklio ir elektros jungčių.

LT

- Susidarius šioje instrukcijoje neaprašytoms aplinkybėms, būkite atsargūs ir vadovaukitės sveika nuovoka. Pagalbos kreipkitės į EGO klientų aptarnavimo centrą.

IŠSAUGOKITE ŠIAS INSTRUKCIJAS!

TECHNINIAI DUOMENYS

| | | |
|---|---------------------------------|------------------------------------|
| Pjovimo priedas | Žoliapjovės galvutė | Tridantis metalinis pjovimo diskas |
| Įtampa | 56 V | 56 V |
| Greitis be apkrovos | 4500-6000 /min | 4500-6000 /min |
| Pjovimo lynelio tipas | 2,4mm nailoninis susuktas valas | / |
| Pjovimo diskas | / | ABB1203 |
| Pjovimo plotis | 38 cm | 30 cm |
| Svoris (Be akumulatoriaus bloko) | 4,35 kg | 4,64 kg |
| Išmatuotas garso galios lygis L_{WA} | 94,80 dB(A); K=1,01 dB(A) | 94,04 dB(A); K=1,71 dB(A) |
| Garso slėgio lygis operatoriaus padėtyje L_{PA} | 80,2 dB(A); K=2,5 dB(A) | 80,0 dB(A); K=4,1 dB(A) |
| Garantuojamas garso galios lygis L_{WA} (išmatuotas pagal 2000/14/EB) | 96 dB(A) | 96 dB(A) |
| Vibracijos vertės a_h | Kairioji rankena | 2,28 m/s^2 ; K=1,5 m/s^2 |
| | Dešinioji rankena | 2,38 m/s^2 ; K=1,5 m/s^2 |
| | | 1,55 m/s^2 ; K=1,5 m/s^2 |
| | | 1,88 m/s^2 ; K=1,5 m/s^2 |

- Valoarea totală declarată a vibrațiilor a fost măsurată în conformitate cu o metodă standard de testare și poate fi utilizată pentru compararea sculelor între ele;
- Valoarea totală declarată poate fi utilizată în evaluarea preliminară a expunerii.

OBSERVAȚIE: Vibrațiile emise în timpul utilizării efective a sculei electrice pot diferi față de valoarea celor declarate pentru scula utilizată; Pentru protejarea operatorului, utilizatorul trebuie să poarte mănuși și protecții auditive în timpul utilizării efective a produsului.

PAKUOTĖS TURINIO SĄRAŠAS

| DALIES PAVADINIMAS | SKAIČIUS |
|-----------------------------------|----------|
| Krūmapjovė | 1 |
| Tridantis pjovimo diskas su dėklu | 1 |
| Apsaugos blokas | 1 |
| Veržlė | 1 |
| Išorinė jungė | 1 |
| Šešiabriaunis raktas | 1 |
| Daugiafunkcis veržliaraktis | 1 |
| Dvigubas peties diržas | 1 |
| Operatoriaus vadovas | 1 |

APRAŠAS

SUSIPAŽINKITE SU SAVO KRŪMAPJOVE (A pav.)

1. Greičio ribojimo svirtelė
2. Blokavimo svirtelė
3. Sparnuotasis varžtas
4. Gaidukas
5. Dviracio formos rankena
6. Velenas
7. Pjovimo lynelis
8. Apsaugos blokas
9. Žoliapjovės galvutė
10. Sandarinimo varžtas
11. Veleno fiksavimo anga
12. Apsauginis priedas
13. Daugiafunkcis veržliaraktis
14. Šešiabriaunis raktas
15. Tridantis pjovimo diskas
16. Išorinė jungė
17. Veržlė
18. Atpalaidavimo mygtukas
19. Apsauginė guminė trinkelė
20. Užraktas
21. Elektros kontaktai
22. Išstūmimo mechanizmas
23. Diržų sagtis
24. Klubų apsauga

⚠️ ĮSPĖJIMAS: niekada nenaudokite įrenginio be savo vietoje pritvirtintos apsaugos. Apsauga visada turi būti uždėta ant įrankio, kad apsaugotų operatorių.

⚠️ ĮSPĖJIMAS: kai prie įrankio pritvirtinta žoliapjovės galvutė, ant apsaugos reikia uždėti apsauginį pjovimo lynelio priedą. Priešingu atveju pjovimo lynelis pernelyg išties ir per daug apkrausite variklį. Niekada nenaudokite žoliapjovės galvutės be apsauginio priedo.

SURINKIMAS

⚠️ ĮSPĖJIMAS: jeigu kurios nors dalys pažeistos ar jų trūksta, nenaudokite krūmapjovės, kol tų dalių neuždėsite. Naudojant krūmapjovę, kai jos dalys pažeistos ar jų trūksta, galima sunkiai susižaloti.

⚠️ ĮSPĖJIMAS: nebandykite keisti krūmapjovės konstrukcijos ar tvirtinti priedų, nerekomenduojamų naudoti su šiuo įrankiu. Visi tokie pakeitimai ir modifikacijos laikomi netinkamu naudojimu. Jie gali sukelti pavojingas situacijas, dėl kurių galima sunkiai susižaloti.

⚠️ ĮSPĖJIMAS: visada mūvēkite tvirtomis pirštinėmis, kai uždedate ar nuimate apsaugą arba tvarkote tridentį pjovimo diską ar lynelio pjovimo peilį. Būkite atsargūs ir saugokite rankas, kad neįsipjautumėte, kai tvarkote apsauginio priedo lynelio pjovimo peilį ar tridentį pjovimo diską.

⚠️ ĮSPĖJIMAS: kad išvengtumėte atsitiktinio įrankio įjungimo ir sunkiai nesusižalotumėte, visada iš įrankio išimkite akumulatoriaus bloką, kai montuojate įrankio dalis ar jį gabenate.

⚠️ ĮSPĖJIMAS: niekada įrankio nenaudokite be apsaugos ir savo vietoje pritvirtintos dviračio formos rankenos. Priešingu atveju galite sunkiai susižaloti.

DVIRAČIO FORMOS RANKENOS TVIRTINIMAS IR REGULIAVIMAS

Krūmapjovė laikoma kaip parodyta B paveiksle. Pradžioje atlaisvinkite sujungimo vietas sparnuotąjį varžtą ir apsukite rankeną 180° kampu aplink veleną (C pav.), po to pasukite 90° kampu prieš laikrodžio rodyklę, kad būtų nukreipta į galvutę (D pav.). Galiausiai, pastumkite rankeną į priekį arba atgal, nusistatydami patogią darbinę padėtį, ir privėrkite varžtą.

PASTABA: leidžiama dirbti tik su įrankiu, kurio dviračio formos rankena įtvirtinta statmenai velenui.

APSAUGOS TVIRTINIMAS

Atlaisvinkite ir nuimkite du varžtus nuo veleno pagrindo (E pav.), sulyginkite apsaugos priemonės tvirtinimo skylės su bloko skylėmis, tada pritvirtinkite apsaugos priemonę ant veleno pagrindo dviem varžtais kartu su dviem spyruoklinėmis poveržlėmis (F pav.).

Įsitinkite, kad apsaugos priemonė pritvirtinta pagal E & F pav., nes dėl bet kokių pritvirtinimo atvirkščiai kils didelis pavojus!

ŽOLIAPJOVĖS GALVUTĖS KEITIMAS TRIDANČIU DISKU

Žoliapjovės galvutę (G pav.) nuimkite pagal paveiksluose H-1 pav H-4 nurodytus žingsnius (žr. skyrių „Lynelio keitimas“). Norėdami uždėti pjovimo diską, atlikite šiuos žingsnius:

1. Metalinio pjovimo disko uždėjimo tvarka pateikta I paveiksle.
2. Nuimkite apsauginį priedą, atsukdami visus tris varžtus su poveržlėmis (J pav.).
3. Diskas tiekiamas su dėklu. Prieš pritvirtindami pjovimo diską prie krūmapjovės, nuimkite jo dėklą, atkabindami fiksavimo vielą nuo dėklo kabliuko (K pav.).

G-K pav. pavaizduotų dalių aprašas:

| | | | |
|-----|-------------------------|-----|--------------------------|
| G-1 | Vidinė jungė | I-3 | Jungės dangtelis |
| G-2 | Jungės dangtelis | I-4 | Tridentis pjovimo diskas |
| G-3 | Viršutinė korpuso dalis | I-5 | Išorinė jungė |
| G-4 | Tarpiklis | I-6 | Veržlė |
| G-5 | Veržlė | I-7 | Jungės griovelis |
| G-6 | Spyruoklė | J-1 | Lynelio nupjovimo peilis |
| G-7 | Pjovimo valas | J-2 | Apsauginis priedas |
| G-8 | Apatinė korpuso dalis | K-1 | Fiksavimo viela |
| I-1 | Variklio velenas | K-2 | Kabliukas |
| I-2 | Vidinė jungė | | |

PASTABA: kad nesusižalotumėte, tridentį diską imkite mūvēdami pirštinėmis.

4. Sukite variklio veleną, kol vidinės jungės griovelis sutaps su krumplinės pavaros dėžutės anga (L pav.).

5. Įkiškite šešiabriaunį raktą į atitaikytas angas, kad jos nepasislinktų viena kitos atžvilgiu (M pav.).

L ir M pav. pavaizduotų dalių aprašas:

| | | | |
|-----|-----------------------------------|-----|-----------------|
| L-1 | Krumplinės pavaros dėžutė | L-3 | Vanklio velenas |
| L-2 | Sulygintos veleno fiksavimo angos | M-1 | Stabilizatorius |

6. Uždėkite diską ant variklio veleno taip, kad disko paviršius būtų viename lygyje su vidinės jungės iškyša. Uždėkite išorinę jungę ir veržlę (N pav.). Ranka paveržkite veržlę PRIEŠ LAIKRODŽIO RODYKLĘ.

N pav. pavaizduotų dalių aprašas:

| | |
|-----|--------------------------|
| N-1 | Veržlė |
| N-2 | Išorinė jungė |
| N-3 | Tridantis pjovimo diskas |

7. Krumplinės pavaros dėžutę atremkite į kietą pagrindą. Viena ranka laikykite krūmapjovės veleną, o kita ranka daugiafunkciū veržliarakčiu priveržkite veržlę kryptimi, kuri nurodyta ant išorinės jungės (O pav.).

APSAUGINIO PRIEDO NAUDOJIMAS

PASTABA: kai prie krūmapjovės pritvirtinta žoliapjovės galvutė, ant apsaugos reikia uždėti apsauginį pjovimo lynelio priedą.

Pritvirtinkite apsauginį priedą prie apsaugos, šešiabriaunio veržliarakčiu priverždami visus tris varžtus, nes prie apsauginio priedo pritvirtintas lynelio pjovimo peilis. Priešingu atveju pjovimo lynelis pernelyg išlįs ir per daug apkrausite variklį.

NAUDOJIMAS

LT

⚠️ ĮSPĖJIMAS: dirbdami neatsipalaiduokite ir būkite budrūs. Atsiminkite, kad trumpam atitraukę dėmesį galite sunkiai susižaloti.

⚠️ ĮSPĖJIMAS: būtinai naudokite akių ir klausos organų apsaugos priemones. Priešingu atveju į akis gali pataikyti išsviestos šiukšlės arba galite kitaip sunkiai susižaloti.

⚠️ ĮSPĖJIMAS: nenaudokite jokių gamintojo nerekomenduotų priedų arba įtaisų. Naudodami nerekomenduojamus priedus arba įtaisus galite sunkiai susižaloti.

NAUDOJIMAS

Krūmapjovę galima naudoti toliau išvardytais tikslais:

- **Su tridančiu metaliniu pjovimo disku:** pjauti žolę, piktžoles, brūzgynus, krūmokšnius, retinti jaunas medelius, kurių kamieno skersmuo iki 2 cm.
- **Su žoliapjovės galvute:** pjauti žolę ir piktžoles šalia verandų, tvorų ir terasų.

PASTABA: Šį įrankį reikia naudoti tik pagal nurodytą paskirtį. Naudojimas bet kokių kitu tikslu laikomas netinkamu naudojimu.

AKUMULATORIAUS BLOKO ĮSTATYMAS IR IŠĖMIMAS

Prieš pirmą kartą naudodami, pilnai įkraukite.

Įstatymas

Sulyginkite akumulatoriaus briaunas su tvirtinimo grioveliais ir spauskite akumuliatorių žemyn, kol išgirsite spragtelėjimą (P pav.).

Išėmimas

Paspauskite akumulatoriaus atpalaidavimo mygtuką ir bloką ištraukite (Q pav.).

P pav. pavaizduotų dalių aprašas:

| | |
|-----|----------------------|
| P-1 | Tvirtinimo griovelis |
| P-2 | Briauna |

DVIGUBO PEČIŲ DIRŽO TVIRTINIMAS IR ĮRANKIO LAIKYMAS

Užsidėkite dvigubus diržus ant pečių ir sukabinkite abi diržo sagties dalis vieną su kita, kol išgirsite spragtelėjimą (R-1 pav.). Klubų apsaugos kabliuką įstatykite į veleno sąvaržą ir veleną atsargiai įsprauskite (R-2, R-3, R-4 pav.).

Laikykite žoliapjovę abiem rankomis suėmę rankeną dešinėje savo kūno pusėje (S pav.). Žoliapjovės galvutė ar pjovimo diskas turi būti tinkamame aukštyje lygiagrečiai su žemės paviršiumi, o operatorius neturi lenktis į priekį.

Krūmapjovę nusiimti galima dviem būdais: atsegti diržo sagtį (T pav.) arba įspausti diržo kabliuką ir atkabinti nuo veleno sąvaržos (R-2 pav.).

⚠️ ĮSPĖJIMAS: kritiniu atveju įrankį nedelsdami nusiimkite nuo pečių, nekreipdami dėmesio į diržų padėtį. Atsekite diržo sagtį (T pav.) ir diržus iš abiejų pusių nusmaukite nuo pečių – tai greitis nuėmimo būdas.

⚠️ ĮSPĖJIMAS: vienu metu negalima naudoti ir viengubų, ir dvigubų pečių diržų.

KRŪMAPJOVĖS ĮJUNGIMAS IR IŠJUNGIMAS

Įjungimas

Nuspauskite blokavimo svirtelę ir laikykite ją toje padėtyje. Paspauskite jungiklį, kad įjungtumėte (U pav.).

Skirtingu stiprumu spaudžiant jungiklį, keičiasi pjovimo priedo sukimosi greitis. Jei reikia, sureguliuokite greičio ribojimo svirtelę, kad nustatytumėte maksimalų greitį.

PASTABA: greičio ribojimo svirtelę taip pat galima nustatyti taip, kad apribotų jungiklio eiga.

Išjungimas

Atleiskite jungiklį.

PASTABA: variklis veikia tik tada, kai nuspausta ir blokavimo svirtelė, ir jungiklis.

⚠️ ĮSPĖJIMAS: darydami pertraukas arba baigę darbą, visada išimkite akumuliatorių iš žoliapjovės.

ĮRANKIO NAUDOJIMAS

⚠️ ĮSPĖJIMAS: darbu su krūmapjove tinkamai apsirenkite, kad sumažintumėte susižalojimo pavojų. Nedėvėkite laisvų drabužių ir nenešioti laisvai kabančių papuošalų. Naudokite akių ir klausos apsaugas. Mūvėkite tvirtos medžiagos ilgus kelnes ir pirštines, avėkite tinkamais batais. Nedėvėkite trumpų kelnų, nemūvėkite sandalais bei nedirbkite basomis.

Prieš darbą apžiūrėkite darbo zoną, kad joje nebūtų pašalinių žmonių, gyvūnų ar bet kokių kliūčių. Žmonės ir gyvūnai turi būti ne arčiau kaip už 15 m. Po to pasitikrinkite apsauginius akinius, drabužius ir tvirtai atsistokite.

Kaskart prieš naudodami tikrinkite, ar nėra pažeistų ar susidėvėjusių dalių. Patikrinkite žoliapjovės galvutę, tridantį pjovimo diską, apsauginį priedą, dviračio formos rankeną ir dvigubus pečių diržus. Pakeiskite įtrūkusias, deformuotas, sulinkusias arba kitaip pažeistas dalis. Lynelio nupjovimo peilis ant apsauginio priedo briaunos per ilgesnį laiką gali atšipti. Rekomenduojama reguliariai jį galąsti dilde arba pakeisti nauju.

Kaskart po darbo krūmapjovę išvalykite.

PJOVIMAS SU ŽOLIAPJOVĖS GALVUTE

Pjovimo lynelio ilgio reguliavimas

Operatorius gali ištraukti daugiau žoliapjovės galvutės pjovimo lynelio nestabdydamas variklio. Pjovimo lyneliui nudilus, jo galima daugiau ištraukti lengvai trinkelėjus žoliapjovės galvutę į žemės paviršių, neišjungiant žoliapjovės (V pav.).

PASTABA: kuo pjovimo lynelis trumpesnis, tuo sunkiau jį ištraukti.

⚠️ ĮSPĖJIMAS: neišimkite ir nekeiskite lynelio pjovimo peilio konstrukcijos. Jeigu lynelis per ilgas, gali perkaisti variklis ir galite sunkiai susižaloti.

Lynelio keitimas

PASTABA: visada naudokite rekomenduojamą nailoninį pjovimo lynelį, kurio skersmuo neviršija 2,4 mm. Naudojant kitokį, nei nurodyta, pjovimą lynelį, žoliapjovė gali perkaisti arba sugesti.

⚠️ ĮSPĖJIMAS: niekada nenaudokite metalu dengto lynelio, vielos, virvės ar pan. Jie gali nutrūkti ir pavojingai į jus atsitrengti.

1. Išimkite akumuliatoriaus bloką.
2. Jei reikia, išimkite likusį pjovimo lynelį.
3. Pasukite ritės laikiklį rodyklės kryptimi taip, kad ritės laikiklio „LOAD“ linija sutaptų su ritės pagrindo ašselėmis (W-1 pav.).
4. Atpjaukite 5 m pjovimo lynelio ir įkiškite jį į angą ašselės viduje (W-2 pav.). Kiškite ir ištraukite lynelį kitoje pusėje; traukite, kol abiejose ritės pusėse jo ilgis bus vienodas.
5. Paspauskite ir, sukdami ritės laikiklį rodyklės kryptimi, suvyniokite lynelį ant ritės, kol abiejose pusėse liks maždaug po 14 cm (W-4 pav.).
6. Norėdami ištraukti lynelį ir patikrinti, ar tinkamai sumontuota žoliapjovės galvutė, paspauskite ritės laikiklį žemyn ir ranka traukite lynelio galus.

Jeigu pjovimo lynelis nutrūksta ties galvute arba stuktelėjus žoliapjovės galvutę į žemę neišitraukia, atlikite šiuos žingsnius:

1. Išimkite akumuliatoriaus bloką.
2. Nuspauskite ritės laikiklio atkabinimo auseles ir ištraukite ritės laikiklį (H-1, H-2 pav.).
3. Ištraukite pjovimo lynelį iš ritės laikiklio.
4. Viena ranka laikydami ritės pagrindą, kita suimkite ritės laikiklį ir sulyginkite atkabinimo auseles su ritės pagrindo angomis (X-1 pav.); delnu nuspauskite ir sukinėkite ritės laikiklį, kol atkabinimo auselės užsifiksuos ritės pagrinde (X-2 pav.).
5. Vėl įdėkite pjovimo lynelį.

PJOVIMAS SU TRIDANČIU METALINIŲ PJOVIMO DISKU

⚠ ĮSPĖJIMAS: norėdami pjauti brūzgynus ar krūmokšnius, tridančių pjovimo diską nuleiskite ant krūmų, kad išgautumėte kapojimo efektą. Krūmapjovę naudokite kaip dalį (mojuokite į kairę ir į dešinę) ties žemės paviršiumi. Pjovimo priedo nekelkite aukščiau juosmens lygio.

⚠ ĮSPĖJIMAS: kuo aukščiau pjovimo priedas iškeltas, tuo didesnis kyla pavojus susižaloti nuo skriejančių nuopjovų.

⚠ ĮSPĖJIMAS: kai pjaunami jauni iki 2 cm skersmens medeliai ar sumedėję augalai, pjaukite kairiąja disko puse, kad išvengtumėte disko atitranskos. Nebandykite pjauti storesnių medelių, nes pjovimo diskas gali įstrigti ar patraukti krūmapjovę į priekį. Taip galite sugadinti pjovimo diską ar krūmapjovę arba jos nesuvaldyti ir susižaloti.

⚠ ĮSPĖJIMAS: netinkamai diską naudojant jis gali įtrūkti, suskilti ar subyrėti. Skriejančios disko atplaišos gali sunkiai sužaloti operatorių ar pašalinius asmenis. Norint sumažinti susižalojimo pavojų, būtina imtis šių atsargumo priemonių:

- Saugokitės, kad diskas neatsitrenktų į tokias kliūtis, kaip akmenys, uolienos ar metalo gabalai.
- Niekada nebandykite pjauti medelių ar krūmų, kurių kamieno skersmuo didesnis nei 2 cm.
- Reguliariai ir pakankamai dažnai tikrinkite diską, ar jis nepažeistas. Nutraukite darbą, jei diskas pažeistas.
- Reguliariai glaškite diską (kai jis pastebimai atšimpa) ir subalansuokite, jei reikia (šį darbą turi atlikti kvalifikuotas techninės priežiūros specialistas).

Disko atitranska

Būkite ypač atsargūs šiuo įrankiu pjaudami su tridančiu pjovimo disku. Disko atitranska yra reakcija, kuri įvyksta, kai besisukantis diskas atsitrenkia į nenupjaujamą kliūtį. Tokio sąlyčio metu kliūtis diską gali trumpam sustabdyti ir jis gali staigiai atšokti atgal nuo pjaunamos kliūties. Ši reakcija gali būti pakankamai stipri, kad operatorius prarastų pusiausvyrą. Pjovimo disko atitranska gali įvykti netikėtai, jei diskas užkliūna ar įstringa. Tokia atitranska dažniausiai įvyksta tokiose vietose, kur sunku žiūrėti pjaunamą medžiagą. Kad pjauti būtų lengviau ir saugiau, piktžolės pjaukite iš dešinės į kairę. Jeigu diskas netikėtai atsitrenktų į kliūtį ar medį, disko atitranska šiuo atveju būtų mažesnė.

LT

TECHNINĖ PRIEŽIŪRA

⚠ ĮSPĖJIMAS: prieš įrankį tikrindami, valydami ar techniškai prižiūredami sustabdykite variklį, palaukite, kol visos judančios dalys sustos, ir išimkite akumulatoriaus bloką. Nesilaikydami šių nurodymų galite sunkiai ar net mirtinai susižaloti arba sugadinti turimą.

⚠ ĮSPĖJIMAS: atlikdami techninės priežiūros darbus, naudokite tik identiškas atsargines dalis. Naudojant bet kokias kitas dalis, gali kilti pavojus arba sugesti gaminy. Norint užtikrinti saugų ir patikimą įrankio naudojimą, visus remonto darbus turi atlikti kvalifikuotas techninės priežiūros specialistas.

BENDROJI TECHNINĖ PRIEŽIŪRA

Plastikinių dalių nevalykite tirpikliais. Dauguma tirpiklių pažeidžia plastiką, todėl jų naudoti nerekomenduojama. Purvo, dulkių, alyvos, tepalo ir pan. valymui naudokite švarius skudurus.

ĮRANKIO VALYMAS

- Po kiekvieno naudojimo minkštą šepetėliu nuvalykite nuo tridančio pjovimo disko ar žoliapjovės galvutės ir apsaugos šiuokšles, žemės gabaliukus ir žolę.

PASTABA: kai lynelio nuopjovimo peilis atšimpa, jį pagaląsti turi kvalifikuotas techninės priežiūros specialistas; taip pat šį peilį galite pakeisti nauju, jei būtina.

- Po kiekvieno krūmapjovės naudojimo nuvalykite pjovimo priedą drėgna šluoste, pamirkyta neesdinančios valymo priemonės tirpale.
- Plastikinio korpuso ir rankenos nevalykite jokiais esdinančiomis valymo priemonėmis. Aromatinės alyvos (pušies arba citrinų kvapo) ir tirpikliai, pvz., žibalas, gali jas sugadinti. Drėgmę taip pat gali kelti elektros smūgio pavojų. Bet kokią drėgmę nuvalykite minkšta sausa šluoste.
- Šepetėliu arba mažu dulkių siurbliu išvalykite korpuso galinėje dalyje esančias vėdinimo angas.

ĮRANKIO LAIKYMAS

- Iš įrankio išimkite akumulatoriaus bloką.
- Mūvėkite tvirtomis pirštinėmis, kruopščiai valydami įrankį.
- Ant tridančio pjovimo disko uždėkite apsauginį dėklą (Y pav.).
- Įrankį laikykite sausoje, gerai vėdinamoje, rakinamoje patalpoje arba aukštai, vaikams nepasiekiamoje vietoje. Nelaikykite įrankio ant arba šalia trąšų, benzino arba kitų cheminių medžiagų.

Aplinkos apsauga



Neišmeskite elektros įrangos, akumuliatorių, įkroviklio ir akumuliatorių ar įkraunamų akumuliatorių kartu su buitiniams atliekoms!

Pagal Europos Parlamento ir Tarybos direktyvas 2012/19/ES ir 2006/66/EB nenaudojama elektros bei elektronikos įranga ir nenaudojami arba sugedę akumuliatoriai ir (ar) baterijos turi būti surenkami atskirai.

Jei elektriniai prietaisai išmetami į užkasamuosius arba atvirosius sąvartynus, kenksmingos medžiagos gali prasiskinti iki gruntinio vandens, patekti į mitybos grandinę ir kenkti jūsų sveikatai bei gerovei.

EB ATITIKTIES DEKLARACIJA



Mes, EGO EUROPE GMBH

Wahlwiesenstrasse 1, D-71711 Steinheim an der Murr
Deutschland

pareiškiame, kad gaminy – **Voltų ličio jonų krūmapjovė su varikliu gale ir dviračio formos rankena bc3800E** – atitinka esminius sveikatos ir saugos reikalavimus, išdėstytus šiose direktyvose:

2006/42/EB, 2014/30/ES, 2011/65/ES, 2000/14/EB

Standartai ir techninės specifikacijos, kuriais remiamasi:

EN ISO 11806-1, EN 60745-1, EN 55014-1, EN 55014-2, IEC 62321.

| | Žoliapjovės galvutė | Tridantis metalinis pjovimo diskas |
|-----------------------------------|---------------------|------------------------------------|
| Išmatuotas garso galios lygis: | 94,80 dB(A) | 94,04 dB(A) |
| Garantuojamas garso galios lygis: | 96 dB(A) | 96 dB(A) |

VI priede pateiktos atitikties įvertinimo procedūra atitinka 2000/14/EB direktyvą.

Paskelbtoji įstaiga: DEKRA Certification B.V. Meander
1051 / P.O. box 5185 6525 MJ ARNHEM / 6802 ED
ARNHEM, Netherlands

Paskelbtosios įstaigos numeris: 0344

Peter Melrose
„EGO Europe GmbH“
vykdomasis direktorius

Dong Jianxun
„Chervon“ kokybės vadovas

* (CHERVON įgalotasis atstovas ir už techninę dokumentaciją atsakingas asmuo)

01/09/2017

LT

TRIKČIŲ ŠALINIMAS

| PROBLEMA | PRIEŽASTIS | SPRENDIMAS |
|----------------------|---|---|
| Nepavyksta paleisti. | <ul style="list-style-type: none"> ■ Akumuliatoriaus blokas neprijungtas prie krūmapjovės. ■ Nėra elektros kontakto tarp krūmapjovės ir akumuliatoriaus bloko. ■ Akumuliatorius visiškai išsekęs. ■ Vienu metu nenuspaudžiama blokavimo svirtelė ir jungiklis. | <ul style="list-style-type: none"> ■ Prijunkite akumuliatoriaus bloką prie elektrinės galvutės. ■ Išimkite akumuliatorių, patikrinkite kontaktus ir vėl įdėkite akumuliatorių, kol užsifiksuos vietoje. ■ Įkraukite akumuliatorių šioje naudojimo instrukcijoje nurodytais EGO įkrovikliais. ■ Kad įjungtumėte krūmapjovę, nuspauskite ir laikykite nuspauždę blokavimo svirtelę, o po to nuspauskite jungiklį. |
| Išsijungia. | <ul style="list-style-type: none"> ■ Variklio perkrova. ■ Naudojamas per sunkus pjovimo lynelis. ■ Akumuliatoriaus blokas arba krūmapjovė pernelyg įkaitusi. ■ Akumuliatoriaus blokas atjungtas nuo įrankio. ■ Akumuliatoriaus blokas visiškai išsikrovęs. | <ul style="list-style-type: none"> ■ Variklis ims veikti normaliai pašalinus apkrovą. Kad darbas vyktų nenutrūkstamai, sumažinkite elektrinės galvutės apkrovą. ■ Naudokite rekomenduojamą pjovimo lynelį, kurio skersmuo ne didesnis kaip 2,4 mm. ■ Leiskite akumuliatoriui atvėsti, kol temperatūra nukris žemiau 67 °C. ■ Iš naujo įdėkite akumuliatoriaus bloką. ■ Įkraukite akumuliatorių šiame vadove nurodytais EGO įkrovikliais. |

| PROBLEMA | PRIEŽASTIS | SPRENDIMAS |
|--|---|---|
| Iš žoliapjovės galvutės neišsitraukia pjovimo lynelis (tik kai naudojama žoliapjovės galvutė). | <ul style="list-style-type: none"> ■ Ant variklio veleno arba žoliapjovės galvutės apsivyniojusi žolė. ■ Ritėje nepakanka pjovimo lynelio. ■ Purvina žoliapjovės galvutė. ■ Pjovimo lynelis susipainiojo ant ritės. ■ Pjovimo lynelis per trumpas. | <ul style="list-style-type: none"> ■ Sustabdykite įrankį, išimkite akumuliatorių ir išvalykite žolę iš variklio veleno ir žoliapjovės galvutės. ■ Išimkite akumuliatorių ir pakeiskite pjovimo lynelį; vadovaukitės šio vadovo skyriumi „LYNELIO KEITIMAS“. ■ Išimkite akumuliatorių ir išvalykite ritę, ritės laikiklį ir ritės pagrindą. ■ Išimkite akumuliatorių, nuvyniokite pjovimo lynelį ir iš naujo jį užvyniokite; vadovaukitės šio vadovo skyriumi „LYNELIO KEITIMAS“. ■ Išimkite akumuliatorių ir patraukite pjovimo lynelio galus į priešingas puses, spausdami ir atleisdami pjovimo lynelio atleidimo mygtuką. |

GARANTIJA

EGO GARANTINIS POLISAS

Norėdami sužinoti visas „EGO“ garantinio poliso sąlygas, apsilankykite interneto svetainėje egopowerplus.com.

APMAĻU GRIEZĒJA PAPILDIERĪCE!



Izlasiet Lietošanas Rokasgrāmatu

⚠ Atlikušā sprieguma apdraudējums!

Cilvēkiem, kuri izmanto elektroniskas ierīces, piemēram, elektrokardiostimulatorus, pirms šīs ierīces lietošanas jāsaņemas ar savu ārstējošo ārstu. Elektroierīču darbība tuvu elektrokardiostimulatoram var izraisīt traucējumus vai tā atteici.

⚠ BRĪDINĀJUMS. Lai garantētu drošību un uzticamību, ierīces remontu un tās detaļu nomaiņu veikt drīkst tikai kvalificēts apkopes tehniķis.

DROŠĪBAS APZĪMĒJUMI

Drošības apzīmējumu nolūks ir pievērst uzmanību iespējamam apdraudējumam. Drošības apzīmējumiem un to skaidrojumiem jāpievērš īpaša uzmanība, un tie pilnībā jāizprot. Apzīmējumu brīdinājumi paši par sevi nenovērš apdraudējumu. Apzīmējumos iekļautie norādījumi un brīdinājumi neaizstāj atbilstošus darba drošības pasākumus.

⚠ BRĪDINĀJUMS. Pirms šī instrumenta lietošanas izlasiet un izprotiet visus šajā lietotāja rokasgrāmatā ietvertos drošības norādījumus, tostarp visus drošības brīdinājuma simbolus, piemēram, „**BRIESMAS**”, „**BRĪDINĀJUMS**” un „**UZMANĪBU**”. Visu turpmāk uzskaitīto norādījumu neievērošana var izraisīt elektriskās strāvas triecienu, ugunsgrēku un/vai smagus miesas bojājumus.

SIMBOLA NOZĪME

⚠ DROŠĪBAS BRĪDINĀJUMA SIMBOLS

Norāda signālvārdu **BRIESMAS**, **BRĪDINĀJUMS** vai **UZMANĪBU**, var būt norādīts kopā ar citiem simboliem vai piktogramām.



⚠ BRĪDINĀJUMS! Jebkura elektroinstrumenta lietošanas laikā iespējamas situācijas, kur svešķermeņi var nonākt acīs, kā rezultātā varat gūt nopietnu acu traumu. Pirms elektroinstrumenta ieslēgšanas vienmēr uzvelciet aizsargbrilles vai aizsargbrilles ar sānu aizsargiem un, ja nepieciešams, pilnu sejas aizsargmasku. Mēs iesakām izmantot aizsargmasku ar plašu skata leņķi, kas tiek vilkta virs parastajām brillēm, vai standarta aizsargbrilles ar sānu aizsargiem.

DROŠĪBAS NORĀDĪJUMI

Šajā lapaspusē ir parādīti un aprakstīti drošības simboli, kas var būt norādīti uz šī izstrādājuma. Pirms iekārtas montāžas un lietošanas izlasiet, izprotiet un ievērojiet visus uz iekārtas sniegtos norādījumus.

| | | |
|--|--|---|
| | Drošības brīdinājums | Norāda uz iespējamu ievainojumu gūšanas risku. |
| | Izlasiet lietošanas rokasgrāmatu | Lai mazinātu traumu rašanās bīstamību, pirms šī izstrādājuma lietošanas tā lietotājam jāizlasa un jāizprot operatora rokasgrāmata. |
| | Lietojiet aizsargbrilles | Šī izstrādājuma darbināšanas laikā vienmēr valkājiet aizsargbrilles vai aizsargbrilles ar sānu aizsargiem un pilnu sejas aizsargmasku. |
| | Lietojiet dzirdes aizsarglīdzekļus | Vienmēr valkājiet trokšņu slāpētājus (ausu ieliktnus vai kašņē), lai aizsargātu dzirdi. |
| | Lietot galvas aizsarglīdzekļus | Valkājiet apstiprinātu cieto aizsargcepuri, lai pasargātu savu galvu. |
| | Lietot aizsargcimdus | Darbojoties ar asmeni vai asmens aizsargu, sargājiet savas rokas, valkājot cimdus. Izturīgi un neslidoši aizsargcimdi palīdz iegūt labāku satvērienu un aizsargāt jūsu rokas. |
| | Valkāt drošības apavus | Lietojot šo aprīkojumu, valkājiet drošības apavus ar neslidošu zoli. |
| | Uzmanību, asmens atsitiens risks! | Brīdiniet operatoru par asmens atsitiens briesmām. |
| | Atsitiens risks! un Neļaut tuvu nepiederošām personām! | Lidojoši priekšmeti var atsisties un radīt miesas bojājumus vai kaitējumu Tpašumam. Lietojot krūmgriezī, sekojiet, lai citi cilvēki un mājdzīvnieki neatrastos tā tuvumā. |

| | | |
|----------|---|---|
| | Neļaut tuvuoties nepiederošām personām! | Lietojot auklas trimeri, sekojiet, lai citi cilvēki un mājdzīvnieki atrodas vismaz 15 m attālumā no tā. |
| | Nav paredzēts izmantot apaļas formas asmeni | Neuzstādieta apaļas formas griešanas asmeņus. |
| | Sargāt no lietus | Neizmantojiet lietū vai neatstājiet ārā, kamēr līst lietus. |
| | CE | Šis izstrādājums atbilst piemērojamām EK direktīvām. |
| | EEIA | Elektrisko izstrādājumu atkritumus nedrīkst izmest kopā ar sadzīves atkritumiem. Nogādāt uz pilnvarotu pārstrādes punktu. |
| | Troksnis | Garantētais akustiskās jaudas līmenis. Trokšņa emisija vidē atbilstoši Eiropas Kopienas direktīvai. |
| V | Volti | Spriegums |
| | Līdzstrāva | Strāvas veids vai raksturlielumi |
| n_0 | Ātrums bez slodzes | Griešanās ātrums bez slodzes |
| ... /min | Minūtē | Apgriezieni minūtē |

SVARĪGI DROŠĪBAS NORĀDĪJUMI

⚠ BRĪDINĀJUMS! Izmantojot šo izstrādājumu, vienmēr veiciet pamata piesardzības pasākumus, lai mazinātu aizdegšanās, elektrotraumas, traumu rašanās draudus, un ievērojiet tālāk sniegtās norādes.

RŪPĪGI IZLASIET PIRMS LIETOŠANAS

SAGLABĀJIET TURPMĀKĀM UZZIŅĀM

⚠ BĪSTAMI! Lai pasargātu sevi no elektriskās strāvas trieciena, nepaļaujieties tikai uz darbarīka izolāciju. Lai mazinātu nāvējoša elektriskās strāvas trieciena draudus, nekādā gadījumā nelietojiet ierīci tādu vadu vai kabeļu tuvumā, kuros varētu plūst strāva.

⚠ UZMANĪBU! Lietojot ierīci, izmantojiet piemērotus dzirdes aizsarglīdzekļus. Dažos gadījumos un noteiktā laika intervālā šī izstrādājuma radītais troksnis var izraisīt dzirdes zudumu.

APMĀCĪBA

- Rūpīgi izlasiet visus norādījumus. Iepazīstieties ar izstrādājuma vadības elementiem un pareizu ierīces lietošanu.
- Nekādā gadījumā neļaujiet ierīci lietot cilvēkiem, kas nav iepazinušies ar šiem norādījumiem, kā arī bērniem. Vietējie noteikumi var ierobežot ierīces lietotāja vecumu.
- Ņemiet vērā, ka operators vai lietotājs ir atbildīgs par negadījumiem vai apdraudējumu, kas radīts citiem cilvēkiem vai to īpašumam.

SAGATAVOŠANA

- Nelietojiet šo izstrādājumu, ja tā tuvumā atrodas cilvēki, it īpaši bērni vai mājdzīvnieki.
- Izmantojot šo izstrādājumu, vienmēr lietojiet acu aizsarglīdzekļus un izturīgus apavus.
- Attālumam starp iekārtu un tuvumā esošām nepiederošām personām jābūt vismaz 15 m.

EKSPLUATĀCIJA

- Strādājiet ar krūmgriezi tikai dienas gaismā vai pie laba mākslīgā apgaismojuma.
- Nekādā gadījumā neizmantojiet krūmgriezi ar bojātiem aizsargiem vai pārsegumiem vai bez aizsargiem un pārsegumiem.
- Iedarbiniet motoru tikai tad, ja rokas un kājas neatrodas griezējelementu tuvumā.
- Vienmēr atvienojiet krūmgriezi no barošanas avota (proti, izņemiet akumulatoru bloku) šādos gadījumos:
 - atstājot krūmgriezi bez uzraudzības;
 - pirms nosprostojuma iztīrīšanas;
 - pirms krūmgrieža pārbaudes, tīrīšanas vai apkopes;
 - pēc ierīces sadursmes ar svešķermeni;
 - ja krūmgriezis sāk neparasti vibrēt.
- Nepieļaujiet traumu rašanos, kājām un rokām saskaroties ar griezējelementiem.
- Gādājiet, lai ventilācijas atverēs nebūtu grūzi.

APKOPE UN UZGLABĀŠANA

- Pirms krūmgrieža apkopes vai tīrīšanas atvienojiet to no barošanas avota (proti, izņemiet akumulatoru bloku).

- Izmantojiet tikai ražotāja ieteiktās rezerves daļas un piederumus.
- Regulāri pārbaudiet krūmgriezi un veiciet tā apkopi. Uzticiet ierīces remontdarbus tikai pilnvarotam remonta tehnikim.
- Ja krūmgriezi nelietojat, novietojiet to bērniem neaizsniedzamā vietā.

CITI DROŠĪBAS BRĪDINĀJUMI

- **Neļaujiet tuvoties bērniem** — visām nepiederošām personām jāatrodas vismaz 15 m attālumā no darba vietas.
- **Izvaiieties no bīstamas vides** — nelietojiet ierīces mitrās vietās.
- **Ja atstājat krūmgriezi bez uzraudzības, vienmēr izslēdziet to vai izņemiet akumulatoru bloku.**
- **Nelietojiet lietū.**
- **Valkājiet darbam atbilstošu apģērbu** — nevalkājiet vajīgu apģērbu, īsās bikses, sandales un nestaigājiet basām kājām. Tie var iekerties kustīgajās daļās. Vienmēr valkājiet izturīgas garās bikses un kreklu ar garām piedurknēm. Strādājot ārpus telpām, ieteicams lietot gumijas cimdus un izturīgus apavus. Velciet galvas pārsegu, kas satur kopā garus matus, lai tos nostiprinātu tā, ka tie atrodas virs plecu līmeņa.
- **Lietojiet aizsargbrilles** — strādājot puteļainā vidē, vienmēr izmantojiet sejas vai putekļu masku.
- **Lietojiet pareizu darbarīku** — neizmantojiet darbarīku nolūkiem, kuriem tas nav paredzēts.
- **Nelietojiet krūmgriezi ar spēku** — darbu varēsiet veikt labāk un ar mazāku traumu rašanās iespējamību, ja lietosiet ierīci darbam paredzētajā tempā.
- **Nepārvērtējiet savas spējas** — vienmēr stāviet stabili un sekojiet līdzsvaram.
- **Saglabājiet modrību** — sekojiet līdzi visam, ko darāt. Izmantojiet veselo saprātu! Nedarbiniet krūmgriezi, ja jūtat nogurumu.
- **Nelietojiet krūmgriezi, ja esat alkohola vai medikamentu iespaidā.**

LV

- **Aizsargiem jābūt uzstādītiem tiem paredzētajās vietās un jābūt labā darba stāvoklī.**
- **Neturiet rokas un kājas griešanas zonā.**
- **Uzglabājiet krūmgriezi telpās** — nelietojot krūmgriezi, tas jāuzglabā telpā — sausā, augstā vai noslēdzamā vietā, pirms tam izņemot akumulatoru bloku — bērniem neaizsniedzamā vietā.
- **Veiciet krūmgrieža apkopi rūpīgi** — lai panāktu labāko darbību un mazinātu traumu rašanās bīstamību, vienmēr uzturiet griešanas pierīci tīru. Ievērojiet piederumu maiņas norādījumus. Rokturiem jābūt sausiem, tīriem un uz tiem nedrīkst būt eļļa vai smērviela.

- **Pārbaudiet bojātās daļas** — pirms krūmgrieža lietošanas rūpīgi jāpārbauda, vai bojātais aizsargs un citas daļas spēs darboties pareizi un veikt paredzēto uzdevumu. Pārbaudiet kustīgo daļu salāgojumu, daļu iespējamo saskari; pārbaudiet, vai daļas nav salūzušas, pārbaudiet stiprinājumus un jebkādu citu stāvokli, kas var ietekmēt darbarīka darbību. Bojātais aizsargs vai cita daļa pareizi jāsaņemotē vai jānomaina pilnvarotā apkopes centrā, ja vien šajā rokasgrāmatā nav norādīts citādi.
- **Pārbaudiet, vai visi stiprinājumi ir pietiekami stingri pieskrūvēti.** Griešanas pierīces aizsargam ir jābūt pareizi piespīrinātam un jāatrodas tādā pozīcijā, kādu ieteicis ražotājs.
- **Pirms darbarīka lietošanas atīriet apstrādājamo vietu.** Savāciet akmeņus, stikla lauskas, naglas, vadus vai auklas, kas var tikt izsviestas vai iekļūt griešanas pierīcē. Neļaujiet bērniem, apkārtējiem cilvēkiem un mājdzīvniekiem atrasties darba vietā. Neļaujiet bērniem, apkārtējiem cilvēkiem un mājdzīvniekiem atrasties rādiusa zonā, kas ir īsāka par 15 m (50 pēdām); atrodoties 15 m (50 pēdu) rādiusa zonā, pastāv atsviestu priekšmetu izraisīts traumas gūšanas risks. Sekojiet, lai apkārtējie izmantotu acu aizsarglīdzekļus.
- **Pirms krūmgrieža lietošanas un pēc tā sadursmes ar svešķermeņiem pārbaudiet, vai nav nodiluma vai bojājumu pazīmju, un, ja nepieciešams, veiciet remontu.**
- **Lietojot krūmgriezi, vienmēr turiet to stingri un ar abām rokām satveriet rokturus. Satveriet rokturus ar īkšķi un pārējiem pirkstiem.**
- **Izvaieties no nejušanas ieslēgšanas** — nepārnēsājiet krūmgriezi, novietojot pirkstu uz pārslēdzēja.
- **Nelietojiet krūmgriezi gāzu vai sprādzienbīstamā vidē.** Motori šādās ierīcēs parasti rada dzirksteles, kas savukārt var aizdedzināt izgarojumus.
- **Krūmgrieža bojājums** — ja krūmgriezis saduras ar svešķermeni vai iesprūst, nekavējoties apturiet darbarīku, izņemiet akumulatoru bloku no krūmgrieža, pārbaudiet, vai nav radušies bojājumi, novērsiet tos un tikai tad turpiniet izmantot ierīci. Nelietojiet krūmgriezi, ja ir bojāts tā aizsargs vai griešanas pierīce.
- **Ja krūmgriezis sāk pārmērīgi vibrēt, izslēdziet motoru, izņemiet akumulatoru bloku un nekavējoties noskaidrojiet vibrācijas iemeslu.** Vibrācija parasti ir brīdinājums par darbības traucējumiem. Nenostiprināta griešanas ierīce var vibrēt, ieplaisāt, salūzt vai atdalīties no krūmgrieža, radot smagu vai nāvējošu traumu. Pārbaudiet, vai griešanas ierīce ir pareizi uzstādīta un nostiprināta. Ja griešanas ierīce pēc tās nostiprināšanas atskrūvējas, nekavējoties nomainiet to. Nekādā gadījumā nelietojiet krūmgriezi ar atskrūvējušos griešanas ierīci.

- Nekavējoties nomainiet saplaisājušu, bojātu vai nolietojušos griešanas ierīci pat tad, ja konstatētas tikai nenozīmīgas plaisas. Šāda ierīce var salūzt, griežoties lielā ātrumā, un radīt smagu vai nāvējošu traumu.
- Lai mazinātu traumu rašanās iespējamību, nekādā gadījumā neestrādājiet, stāvod uz trepēm vai uz cita nedroša balsta. Nekad neturiet griešanas ierīci augstāk par ķermeņa vidukli.
- Nekad nelietojiet neilona griezējauklas vietā citas stieples, jo no tām var atlūzt sīkas daļas, kas lielā ātrumā var tikt atsviestas operatora vai apkārt stāvošo personu virzienā.
- Saglabājiet stabilu pozīciju un līdzsvaru. Nepārvērtējiet savas spējas. Griešanas ierīce jātur zem ķermeņa vidukļa līmeņa. Neturiet ķermeņa daļas griešanas ierīces tuvumā.
- Darbarīka lietošanas laikā regulāri pārbaudiet griešanas ierīci vai arī dariet to uzreiz, līdzko konstatējat būtiskas izmaiņas griešanas darbībā.
- Izmantojiet tikai EGO apstiprinātu polimēra trimera auklu un asmens piederumus, trimera auklu un asmeni, kas paredzēti lietošanai kopā ar šo krūmgriezi. Dažas neapstiprinātas ierīces var būt ļoti bīstamas, un/vai var sabojāt darbarīkus.
- Ja strādājat ar ierīci kāds jums tuvojas, apturiet motoru un griešanas ierīci.
- Brīdiniet operatoru par briesmām, ko var radīt asmens atsitieni (tikai griežot ar 3 zobu asmeni).
 - Asmens atsitieni var rasties, ja rotējošs asmens saskaras ar priekšmetu, ko tas uzreiz nesagriež.
 - Asmens atsitieni var būt pietiekami spēcīgi, lai pagrūstu ierīci un/vai operatoru jebkurā virzienā, un, iespējams, zaudētu vadību pār ierīci.
 - Asmens atsitieni var atgādīties pēkšņi, ja asmens ieķeras, saķeras vai apstājas motors.
 - Asmens atsitieni biežāk rodas zonās, kur ir grūti saskatīt zāgējamo materiālu.
- Nepiestipriniet asmeni pie ierīces, ja nav atbilstoši uzstādītas visas nepieciešamās detaļas. Ja netiek izmantotas atbilstošas detaļas, asmens var nokrist no ierīces un nopietni savainot operatoru un/vai apkārtējos cilvēkus. Atbrīvojieties no asmeņiem, kas jebkāda veidā ir saliekti, likumaini, ieplaisājuši, salūzuši vai sabojāti. Izmantojiet asu asmeni. Neass asmens var ieķerties un izraisīt atsitieni (tikai griežot ar 3 zobu asmeni).
- No akumulatoru bloka jāatbrīvojas drošā veidā.

- Kustīgs asmens / aukla, kas pēc motora apturēšanas vai sprūda atlaišanas turpina griezties, var radīt traumas. Nenovērsiet uzmanību no asmens / auklas, līdz tie nav pilnībā pārstājuši griezties.
- Neuzlādējiet akumulatoru bloku lietū vai mitrās vietās.
- Izmantojiet kopā tikai ar zemāk norādītajiem EGO akumulatoru blokiem un uzlādes ierīcēm.

| AKUMULATORS | LĀDĒTĀJS |
|---|--------------------|
| BA1120E, BA1400, BA2240E, BA2800, BA3360, BA4200, BAX1300 | CH2100E CH5500E |

- Pirms izmešanas akumulatora bloks jāizņem no ierīces.
- Nemetiet akumulatoru ugunī. Akumulatora elementi var uzsprāgt. Īpašus norādījumus par atbilstošu atbrīvošanos no akumulatoriem meklējiet vietējos normatīvos.
- Neatveriet un nebojājiet akumulatoru. Elektrolīts, kas izplūst, ir kodīgs un var radīt acu un ādas bojājumus. Norijot var būt toksisks.
- Rīkojieties ar akumulatoriem ļoti uzmanīgi, neveidojiet īsslēgumu ar materiāliem, kas vada elektrību, piemēram, gredzeniem, rokassprādzēm un atslēgām. Akumulators vai vads var pārkarst un radīt apdegumus.
- Rezerves daļas — veicot apkopes darbus, vienmēr izmantojiet identiskas EGO rezerves daļas. Citu piederumu vai pierīču lietošana var palielināt traumu gūšanas iespējamību.
- Akumulatora darbarīkus nav nepieciešams pieslēgt elektrotīklam, tādēļ tie vienmēr ir darbības stāvoklī. Pat, ja darbarīks nedarbojas, vienmēr sargieties no iespējama apdraudējuma. Ievērojiet piesardzību, veicot apkopes vai uzturēšanas darbus.
- Pirms apkopes un uzturēšanas darbu veikšanas, tīrīšanas vai krūmgriezi iestrēguša materiāla iztīrīšanas, izņemiet vai atvienojiet akumulatoru bloku.
- Nemazgājiet ar šļūteni; nepieļaujiet ūdens iekļūšanu motorā un elektriskajos savienojumos.
- Gadījumos, kas nav aprakstīti šajā rokasgrāmatā, esiet uzmanīgi un rīkojieties prātīgi. Lai saņemtu palīdzību, sazinieties ar EGO klientu apkalpošanas centru.

SAGLABĀJIET ŠOS NORĀDĪJUMUS!

LV

⚠ BRĪDINĀJUMS! Nekādā gadījumā nelietojiet darbarīku, ja nav uzstādīts aizsargs. Aizsargam vienmēr jāatrodas uz darbarīka, lai aizsargātu lietotāju!

⚠ BRĪDINĀJUMS! Ja darbarīks ir aprīkots ar trimera galvu, aizsarga piederumam un griezējauklas asmenim jābūt uzstādītiem uz aizsarga. Šo noteikumu neievērošanas rezultātā var tikt padota pārāk gara griezējaukla un motoram var rasties pārslodze. Nekad neizmantojiet trimera galvu bez aizsarga piederuma.

MONTĀŽA

⚠ BRĪDINĀJUMS! Ja kāda daļa ir bojāta vai trūkst, nedarbiniet krūmgriezi, kamēr šādas daļas nav nomainītas. Darbinot krūmgriezi ar bojātām vai trūkstošām daļām varat gūt smagus miesas bojājumus.

⚠ BRĪDINĀJUMS! Nemēģiniet pārveidot krūmgriezi vai izveidot piederumus, kas nav ieteicami lietošanai kopā ar šo izstrādājumu. Jebkādi šādi uzlabojumi vai pārveidojumi uzskatāmi par neatbilstošu lietošanu un var radīt bīstamus apstākļus, kas var izraisīt smagus miesas bojājumus.

⚠ BRĪDINĀJUMS! Uzstādot vai noņemot aizsargu un veicot 3 zobu asmenim / auklas griešanas asmenim apkopi, vienmēr valkājiet izturīgus cimdus. Esiet piesardzīgi, rīkojoties ar auklas griešanas asmeni uz aizsarga piederuma / 3 zobu asmens, un sargiet savas rokas no traumām, ko var izraisīt abi asmeņi.

⚠ BRĪDINĀJUMS! Lai novērstu nejašu ieslēgšanos, kas var izraisīt nopietnus ievainojumus, vienmēr pirms daļu uzstādīšanas vai mašīnas transportēšanas izņemiet no darbarīka akumulatoru bloku.

⚠ BRĪDINĀJUMS! Nekādā gadījumā nelietojiet darbarīku bez aizsarga un, ja nav nostiprināts velosipēda stūres formas rokturis. Šo noteikumu neievērošanas rezultātā darbarīks var izraisīt smagus miesas bojājumus.

VELOSIPĒDA STŪRES FORMAS ROKTURA UZSTĀDĪŠANA UN REGULĒŠANA

Krūmgriezis jāuzglabā tā, kā tas ir norādīts B attēlā. Vispirms atskrūvējiet spārnu skrūvi, kas atrodas savienojuma vietā, un pēc tam paceliet velosipēda stūres formas rokturi, pagriežot 180° ap vārpstu (C att.), pagriežiet to par 90° pretēji pulksteņrādītāja kustības virzienam, lai tas atrastos pretīm piespiežamajai galvai (D att.). Visbeidzot, pabīdiet to uz priekšu un atpakaļ, lai iegūtu ērtu darba stāvokli, un pievelciet skrūvi.

PIEZĪME. Šo mašīnu atļauts darbināt tikai ar velosipēda stūres formas rokturi, kas uzstādīts perpendikulāri vārpstai.

AIZSARGA MONTĀŽA

Atskrūvējiet un izņemiet abas skrūves no trimmera kāta pamatnes (E att.), novietojiet aizsarga montāžas caurumus vienā līmenī ar pamatnes caurumiem, pēc tam piestipriniet aizsargu kāta pamatnei kopā ar abām atspere aplakšnēm (F att.).

Pārliecinieties, ka aizsargs ir piestiprināts pareizi tā, kā norādīts E un F attēlos; nepareiza montāža ir ļoti bīstama!

TRIMERA GALVAS NOMAINĪŠANA AR 3 ZOBU ASMENI

Noskaidrojiet visu informāciju par trimera galvu un, lai demontētu trimera galvu (G att.), veiciet H-1 - H-4 att. norādītās darbības (skatīt sadaļu „Auklas nomaīņa”). Uzstādiet asmeni, izpildot tālāk norādītās darbības:

1. Lai uzstādītu metāla asmeni (I att.).
2. Noņemiet aizsarga piederumu, atskrūvējot visas trīs skrūves ar aplakšni (J att.).
3. Asmens tiek piegādāts kopā ar apvalku. Apvalks ir jānoņem pirms asmens uzstādīšanas uz krūmgrieža, atskrūvējot stieplu skavu no apvalka āķa (K att.).

G-K attēlā redzamo daļu aprakstu skatiet zemāk:

| | | | |
|-----|-----------------------|-----|--------------------------|
| G-1 | Iekšējais atloks | I-3 | Atloka vāciņš |
| G-2 | Atloka vāciņš | I-4 | 3 zobu asmens |
| G-3 | Korpasa augšdaļa | I-5 | Ārējais atloks |
| G-4 | Blīve | I-6 | Uzgrieznis |
| G-5 | Uzgrieznis | I-7 | Atloka sprauga |
| G-6 | Atspere | J-1 | Nazis auklas nogriešanai |
| G-7 | Griešanas aukla | J-2 | Drošības aprīkojums |
| G-8 | Korpasa apakšējā daļa | K-1 | Stieplu skava |
| I-1 | Motora vārpsta | K-2 | Āķis |
| I-2 | Iekšējais atloks | | |

PIEZĪME. Lai pasargātu sevi no traumām, valkājiet cimdus pirms sākat darboties ar 3 zobu asmeni.

4. Pagrieziet motora vārpstu, lai salāgotu spraugu iekšējā atlokā ar vārpstas bloķēšanas atveri pāresumkārbā (L att.).
5. Ievietojiet salāgotajās atverēs sešskaldņu uzgriežņu atslēgu, kas funkcionē kā stabilizators (M att.).

L un M attēlā redzamo daļu aprakstu skatiet zemāk:

| | | | |
|-----|---------------------------------------|-----|----------------|
| L-1 | Pāresumkārbā | L-3 | Motora vārpsta |
| L-2 | Salāgotas vārpstas bloķēšanas atveres | M-1 | Stabilizators |

6. Uzstādiēt asmeni uz motora vārpstas tā, lai asmens virsma atrastos vienā līmenī ar iekšējā atloka virsmas izliekumu. Uzstādiēt ārējo atloku un uzgriezni (N att.). Pievelciēt uzgriezni ar roku PRETĒJI PULKSTENRĀDĪTĀJA KUSTĪBAS virzienam.

N attēlā redzamo daļu aprakstu skatiet zemāk:

| | |
|-----|----------------|
| N-1 | Uzgrieznis |
| N-2 | Ārējais atloks |
| N-3 | 3 zobu asmens |

7. Atbalstiet pānesumkārbu pret cietu virsmu. Ar vienu roku pieturiet krūmgrieža vārpstu un ar otru satveriet daudzfunkciju uzgriežņu atslēgu, lai pievilktu uzgriezni bultiņas atzīmes virzienā, kas norādīta uz ārējā atloka (O att.).

AIZSARGA PIEDERUMA IZMANTOŠANA

PIEZĪME. Kad krūmgriežim ir uzstādīta trimera galva, uz aizsarga jābūt uzstādītam aizsarga piederumam.

Ja uz aizsarga piederuma ir uzstādīts auklas griešanas asmens, uz aizsarga jāuzstāda aizsarga piederums, pievelkot visas trīs skrūves ar sešskaldņu uzgriežņu atslēgu. Šo noteikumu neievērošanas rezultātā var tikt padota pārāk gara griešanas aukla un motoram var rasties pārslodze.

LIETOŠANA

▲ BRĪDINĀJUMS! Saglabājiēt modrību visu darbarīka lietošanas laiku. Neaizmirstiet, ka pat mīkls neuzmanības var izraisīt nopietnu traumu.

▲ BRĪDINĀJUMS! Vienmēr valkājiēt aizsargbrilles, kā arī dzirdes aizsarglīdzekļus. Šo noteikumu neievērošanas rezultātā acis var tikt ieviesti svešķermeņi vai jūs varat gūt cita veida smagas traumas.

▲ BRĪDINĀJUMS! Nelietojiēt pierces vai piederumus, ko nav ieteicis šī izstrādājuma ražotājs. Šādu neapstiprinātu pierču vai piederumu lietošana var radīt nopietnus ievainojumus.

PIELIETOJUMS

Krūmgriezi var lietot tālāk norādītajam mērķim —

- **kopā ar 3 zobu metāla asmeni:** zāles, nezāles savvaļas audzes un krūmāju apgriešana, jaunaudzes retināšana, kuriem maksimālais kāta diametrs ir 2 cm.
- **kopā ar trimera galvu:** zāles un nezāļu apgriešana pie lieveņa, žoga un nojumes.

PIEZĪME. Darbarīku drīkst izmantot tikai aprakstītajam mērķim. Izmantošana jebkādā citā veidā tiks uzskatīta par neatbilstošu lietošanu.

AKUMULATORA IEVIETOŠANA / IZŅEMŠANA

Pirms pirmās lietošanas reizes uzlādējiēt akumulatoru pilnībā

Ievietošana

Novietojiēt akumulatora valnīti pretī stiprinājuma rievām un spiediēt akumulatoru uz leju, līdz atskan klikšķa skaņa (P att.)

Izņemšana

Uzspiediēt akumulatora atbrīvošanas pogu un izvelciēt akumulatoru bloku (Q att.).

P attēla detaļu aprakstu skatiet zemāk:

| | |
|-----|--------------------|
| P-1 | Stiprinājuma rievā |
| P-2 | Valnītis |

DUBULTĀS PLECU DROŠĪBAS SIKSNAS UZVILKŠANA UN MAŠĪNAS TURĒŠANA

Uzvelciēt dubulto plecu drošības siksnu un ievietojiēt abas siksnas sprādzes daļas vienu otrā, līdz atskan klikšķa skaņa (R-1 att.). Salāgojiēt cauruļu skavas, kas nostiprināta uz vārpstas, atverē gurnu aizsargpolsterējuma āķi, un viegli piespiediēt vārpstu (R-2, R-3 un R-4 att.).

Turiet auklas trimeri ar abām rokām sev labajā pusē (S att.). Trimera galvai vai asmenim ir jāatrodas paralēli zemes virsmai atbilstošā griešanas augstumā un operatora augums nedrīkst būt saliekts.

Krūmgriezi var noņemt divos veidos. Noņemiēt no pleca siksnu ar sprādzi (T att.) vai nospiediēt siksnas āķi un nodaliet no cauruļu skavas, kas nostiprināta uz vārpstas (R-2 att.).

▲ BRĪDINĀJUMS! Avārijas gadījumā noņemiēt to no pleca nekavējioties, neatkarīgi no tā, kādā veidā ir uzvilкта siksnā. To var ātri noņemt, atbrīvojiēt siksnas sprādzi (T att.) un ar abām rokām noņemiēt to no pleciem.

▲ BRĪDINĀJUMS: Nedrīkst vienlaikus lietot gan vienkāršo, gan dubulto plecu siksnu.

KRŪMGRIEŽA IESLĒGŠANA / IZSLĒGŠANA

Ieslēgšana

Nospiediēt atbloķēšanas sviru un noturiet to šajā pozīcijā. Lai iedarbinātu, nospiediēt bloķēšanas sviru (U att.)

Griešana ierīces rotācijas ātrums ir atkarīgs no spēka, ar kādu tiek nospiests iedarbināšanas slēdzis. Nepieciešamības gadījumā pielāgojiēt ātruma ierobežotājsvīru, lai iestatītu maksimālo ātrumu.

PIEZĪME. Ātruma ierobežotājsvīru var iestatīt arī iepriekš, lai ierobežotu atbloķēšanas sviras pārvietošanos.

Apturēšana

Atļaidiet slēdzi.

PIEZĪME. Motors darbojas tikai tad, ja vienlaicīgi ir nospiesta atbloķēšanas svira un iedarbināšanas slēdzis.

⚠ BRĪDINĀJUMS! Darba pārtraukumos un pēc darba pabeigšanas vienmēr izņemiet akumulatoru bloku no auklas trimera.

MAŠĪNAS LIETOŠANA

⚠ BRĪDINĀJUMS! Ģērbieties atbilstīgi, lai mazinātu traumu rašanās draudus, lietojot krūmgriezi. Nevalkājiet vaļīgu apģērbu vai rotaslietas. Izmantojiet acu un dzirdes aizsarglīdzekļus. Valkājiet izturīgas, garas bikses, apavus un cimdus. Nevalkājiet īsas bikses, sandales; nestaigājiet basām kājām.

Pirms darba uzsākšanas aplūkojiet apkārtni, lai pārliecinātos, vai darba zonas tuvumā neatrodas citi cilvēki, dzīvnieki, un vai nav atskrūvējušies priekšmeti. Tiem jāatrodas vismaz 15 m attālumā. Pēc tam uzvelciet acu aizsarglīdzekļus, darbam atbilstošu apģērbu un ieņemiet līdzsvarotu ķermeņa stāju.

Pirms katras lietošanas reizes pārbaudiet, vai nav bojātu / nodilušu daļu.

Pārbaudiet trimera galvu, 3 zobu asmeni, aizsargu, aizsarga piederumu, velosipēda stūres formas rokturi, dubulto plecu drošības siksnu un nomainiet detaļas, ja tās ir saplaisājušas, savijušās, salocījušās vai bojātas. Ar laiku auklas griešanas asmens uz aizsarga piederuma var kļūt truls. Ieteicams periodiski asināt asmeni ar vili vai nomainīt to.

Notīriet krūmgriezi pēc katras lietošanas reizes

IERĪCES LIETOŠANA AR UZSTĀDĪTU TRIMERA GALVU

Griezējauklas garuma regulēšana

Trimera galva ļauj operatoram izbīdīt vairāk griešanas auklas, neapturot motoru. Ja aukla sadilst vai nolietojas, nedaudz piesitot izcilni pret zemi trimera lietošanas laikā, var izbīdīt jaunu auklas garumu (skatiet V att.).

PIEZĪME. Griezējauklai paliekot īsākai, auklas padeve kļūst apgrūtināta.

⚠ BRĪDINĀJUMS! Nenņemiet un nepārveidojiet auklas griešanas asmens mezglu. Pārmērīgi gara aukla izraisīs motora pārkaršanu, un var rasties smagi miesas bojājumi.

Auklas nomaīņa

PIEZĪME. Vienmēr lietojiet ieteikto neilona griezējauklu, kuras diametrs nepārsniedz 2,4 mm. Cita veida auklas izmantošana var izraisīt krūmgrieža pārkaršanu vai var to sabojāt.

⚠ BRĪDINĀJUMS! Nekad neizmantojiet auklu ar metāla pastiprinājumiem, stiepli, virvi u.tml. Šāda veida auklas var salūst un kļūt par bīstamiem, lielā ātrumā izsviestiem objektiem.

1. Izņemiet akumulatoru bloku.
2. Nepieciešamības gadījumā izņemiet atlikušo griezējauklas daļu.
3. Nepieciešamības gadījumā pagrieziet spoles aizturi ar bultiņu norādītajā virzienā, lai salāgotu līniju ar uzrakstu LOAD uz spoles aiztura ar acinām spoles pamatnē (W-1 att.).
4. Nogrieziet 5 m griezējauklas un ievielciet auklu montāžas caurumā acināšanas iekšpusē (W-2 att.). Iespiediet un izvelciet auklu no otras puses, līdz spolei abās pusēs var redzēt vienāda garuma auklu (W-3 att.).
5. Lai uzlīnētu auklu uz spoles, piespiediet, vienlaikus griežot spoles aizturi bultiņas virzienā, līdz katrā pusē var redzēt aptuveni 14 cm auklas (W-4 att.).
6. Vienlaikus velkot auklu, nospiediet spoles aizturi, lai ar rokām izvilkto auklu un, lai pārbaudītu, vai trimera galva ir pareizi uzstādīta.

Ja griezējaukļa pārtrūkst pie auklas izejas vai griezējaukļa netiek padota, piesitot ar trimera galvu, izpildiet tālāk norādītās darbības:

1. Izņemiet akumulatoru bloku.
2. Nospiediet atļaišanas izcilņus uz spoles aiztura un noņemiet spoles aizturi, izvelkot to uz āru (H-1 un H-2 att.).
3. Izņemiet griezējauklu no spoles aiztura.
4. Ar vienu roku pieturiet spoles pamatni un ar otru roku satveriet spoles aizturi un salāgojiet spoles aiztura izcilņus ar spoles pamatnes caurumiem (X-1 att.); ar plaukstu piespiediet un pagrieziet spoles aizturi pa kreisi un pa labi, līdz izcilņi nofiksējas spoles pamatnē (X-2 att.).
5. Uztiniet griezējauklu

IERĪCES LIETOŠANA AR UZSTĀDĪTU 3 ZOBU METĀLA ASMENI

⚠ BRĪDINĀJUMS! Lai apgrieztu savvaļas audzi un krūmājus, nolaidiet rotējošo 3 zobu asmeni lejā virs audzes, šādi iegūstot kapšanas efektu. Griežot pie zemes, izmantojiet krūmgriezi kā izkapti (pļaujot pa labi un pa kreisi). Nekad neizmantojiet griešanas ierīci augstāk par ķermeņa vidukli.

⚠ BRĪDINĀJUMS! Jo augstāk no zemes atradīsies griešanas ierīce, jo lielāks būs nogriezta materiāla, kas tiek izsviests uz sāniem, izraisīts traumas risks.

▲ BRĪDINĀJUMS! Grieziet jaunaudzes vai citu koksnes materiālu līdz 2 cm diametrā ar asmens kreiso pusi, lai izvairītos no asmens atsitienu. Nemēģiniet griezt koksni, kurai ir lielāks diametrs, jo asmens var iekļerties vai paraut krūmgriezi uz priekšu. Tas var sabojāt asmeni vai krūmgriezi, vai arī jūs varat zaudēt vadību pār krūmgriezi, kas izraisa miesas bojājumus.

▲ BRĪDINĀJUMS! Nepareizas asmens lietošanas rezultātā asmens var saplaisāt, sašķelties vai saplīst. Izsviestās daļas var nopietni savainot operatoru vai blakus stāvošu cilvēku. Lai samazinātu traumu risku, ir svarīgi veikt turpmāk norādītos piesardzības pasākumus.

- Izvairieties no saskares ar cietiem svešķermeņiem, piemēram, akmens, laukakmeņiem vai metāla daļām.
- Nekad nezāģējiet kokmateriālus vai krūmus, kuru kāta diametrs pārsniedz 2 cm.
- Regulāri ik pēc neilga laika pārbaudiet, vai asmenim nav redzamu bojājumu pazīmju. Neturpiniet strādāt ar bojātu asmeni.
- Regulāri uzasiniet asmeni (ja tas acīmredzami kļuvis neass), un nepieciešamības gadījumā sabalansējiet to (veic kvalificēts servisa speciālists).

Asmens atsitiens

Esiet īpaši piesardzīgi, izmantojot 3 zobu asmeni kopā ar šo ierīci. Asmens atsitiens ir reakcija, kas var rasties, ja rotējošs asmens saskaras ar materiālu, kuru tas nevar sagriezt. Šāda saskare var uz mirkli apturēt asmens griešanos un pēkšņi „pagrūst” ierīci projām no objekta, pret kuru asmens atsītās. Šī reakcija var būt pietiekami spēcīga, lai operators zaudētu vadību pār ierīci. Asmens atsitiens var atgadīties pēkšņi, ja asmens ieķeras, saķeras vai apstājas motors. Tas biežāk rodas zonās, kur ir grūti saskatīt zāģējamo materiālu. Lai griešana būtu vienkāršāka un drošāka, pļaujiet ar krūmgriezi nezāli virzienā no labās uz kreiso pusi. Ja asmens negaidīti iestrēgst priekšmetā vai kokmateriālā, šis paņēmieni var mazināt asmens atsitienu reakciju.

LV

APKOPE

▲ BRĪDINĀJUMS! Pirms ierīces pārbaudīšanas, tīrīšanas vai apkopes darbu veikšanas apturiet motoru, pagaidiet, līdz apstājas visas kustīgās daļas, un izņemiet akumulatoru bloku. Šo norādījumu neievērošana var radīt smagus miesas bojājumus vai kaitējumu īpašumam.

▲ BRĪDINĀJUMS! Veicot apkopi, izmantojiet tikai identiskas rezerves daļas. Jebkuru citu daļu izmantošana var radīt apdraudējumu vai izstrādājuma bojājumus. Lai garantētu drošību un uzticamību, visi remontdarbi jāveic kvalificētam servisa speciālistam.

VISPĀRĒJĀ APKOPE

Plastmasas detaļu tīrīšanai neizmantojiet šķīdinātājus. Vairums plastmasas izstrādājumu var tikt sabojāti, izmantojot dažādus komerciālos šķīdinātājus. Izmantojiet tīras drānas, lai notīrītu netīrumus, putekļus, eļļu, taukus u.c.

MAŠĪNAS TĪRĪŠANA

- Ar mīkstu suku notīriet pie asmens un aizsarga pielipušos gruvelus, augsni vai zāli pēc katras 3 zobu asmens / trimera galvas lietošanas reizes.

PIEZĪME. Kad auklas griešanas asmens kļuvis neass, lūdz, nogādājiet to kvalificētam servisa speciālistam, kurš to uzasinās, vai nepieciešamības gadījumā nomainiet auklas griešanas asmeni.

- Pēc katras krūmgrieža lietošanas reizes notīriet griešanas ierīci ar mitru drānu un vieglu mazgāšanas līdzekli.
- Netīriet plastmasas korpusu un rokturi ar kodīgiem tīrīšanas līdzekļiem. Plastmasas daļas var sabojāt ar zināmām aromatizētām eļļām, piemēram, priežu un citrona, un šķīdinātājiem, piemēram, petroleju. Elektrotrauma var radīt arī mitrums. Kārtīgi noslaukiet mitrumu ar mīkstu, tīru drānu.
- Ventilācijas atveru tīrīšanai korpusa aizmugurē izmantojiet nelielu suku vai nelielu putekļsūcēju.

MAŠĪNAS UZGLABĀŠANA

- Izņemiet darbarīka akumulatoru.
- Lai kārtīgi notīrītu darbarīku, valkājiet izturīgus cimdus.
- Uzglabājiet 3 zobu asmeni drošā veidā, uzliekot tam apvalku (Y att.).
- Uzglabājiet ierīci sausā, labi vēdināmā, aizslēdzamā vai augstā — bērniem nepieejamā — vietā. Neuzglabājiet mašīnu blakus mēslojumam, benzīnam vai citām ķīmikālijām.

250

Vides aizsardzība

Neutilizējiet elektrisko aprīkojumu, akumulatora uzlādes ierīci un akumulatorus / atkārtoti uzlādējamās baterijas sadzīves atkritumos.

Saskaņā ar Eiropas Parlamenta un Padomes Direktīvu 2012/19/ES, kā arī Direktīvu 2006/66/EK nederīgas elektriskās un elektroniskās iekārtas un bojāti vai izlietoti akumulatori / baterijas jāsavāc atsevišķi.

Ja elektroierīces tiek utilizētas poligonos vai izgāztuvēs, bīstamās vielas var iekļūst gruntsūdeņos un nokļūt pārtikas ķēdē, bojājot jūsu veselību un labsajūtu.

EK ATBILSTĪBAS DEKLARĀCIJA

Mēs, EGO EUROPE GMBH

Wahlwiesenstrasse 1, D-71711 Steinheim an der Murr Deutschland

Apliecinām, ka šis izstrādājums, **56 VOLTU LITIJA JONU KRŪMGRIEZIS AR AIZMUGURĒ UZSTĀDĪTU MOTORU UN VELOSIPĒDA STŪRES FORMAS ROKTURI BC3800E**, atbilst būtiskajām veselības un drošības prasībām, kas norādītas šādās direktīvās:

2006/42/EK, 2014/30/ES, 2011/65/ES, 2000/14/EK.

Standarti un tehniskās specifikācijas, kas minētas:

EN ISO 11806-1, EN 60745-1, EN 55014-1, EN 55014-2, IEC 62321.

| | Trimeris galva | 3 zobu metāla asmens |
|---|----------------|----------------------|
| <u>Izmērītais skaņas intensitātes līmenis:</u> | 94,80 dB(A) | 94,04 dB(A) |
| <u>Garantētais skaņas intensitātes līmenis:</u> | 96 dB(A) | 96 dB(A) |

Atbilstības novērtēšanas procedūra veikta saskaņā ar Direktīvas 2000/14/EK VI pielikuma prasībām.

Paziņotā institūcija: DEKRA Certification B.V. Meander 1051 / P.O. box 5185 6525 MJ ARNHEM / 6802 ED ARNHEM, Netherlands

Paziņotās institūcijas numurs: 0344

Peter Melrose
„EGO Europe GmbH”
ģenerāldirektors

Dong Jianxun
Chervon kvalitātes
nodalījuma vadītājs

* (Pielikums CHERVON pārslāvis un atbildīgais par tehnisko dokumentāciju)

01/09/2017

LV

KĻŪMJU NOVĒRŠANA

| PROBLĒMA | CĒĻONIS | RISINĀJUMS |
|-----------------------|--|---|
| Neizdodas iedarbināt. | <ul style="list-style-type: none"> ■ Krūmgriezī nav akumulatoru bloka. ■ Starp krūmgriezī un akumulatoru bloku nav elektriskā savienojuma. ■ Akumulators ir izlādējies. ■ Vienlaikus nav nospiesta bloķēšanas svira un pārslēdzējs. | <ul style="list-style-type: none"> ■ Ievietojiet instrumentgalvā akumulatoru bloku. ■ Izņemiet akumulatoru, pārbaudiet kontaktus un ievietojiet to atpakaļ, līdz tas nofiksējas. ■ Uzlādējiet akumulatoru bloku ar šajā rokasgrāmatā norādītajiem EGO lādētājiem. ■ Nospiediet bloķēšanas sviru un turiet to, tad nospiediet pārslēdzēju, lai ieslēgtu krūmgriezī. |
| Izslēdzas. | <ul style="list-style-type: none"> ■ Motora pārslodze. ■ Izmantota smaga griezējaukla. ■ Akumulatoru bloks vai krūmgriezis ir pārāk karsti. ■ Akumulatoru bloks ir atvienots no darbarīka. ■ Akumulatoru bloks ir izlādējies. | <ul style="list-style-type: none"> ■ Motors pēc noslogojuma atbrīvošanas atsāks darboties. Lai tas darbotos nepārtraukti, samaziniet instrumentgalvai slodzi. ■ Izmantojiet standarta neilona griezējauklu, kuras diametrs nepārsniedz 2,4 mm. ■ Ļaujiet akumulatoram vai instrumentgalvai atdzist, līdz temperatūra nokrītas zemāk par 67 °C. ■ Uzstādiet atpakaļ akumulatoru bloku. ■ Uzlādējiet akumulatoru bloku ar šajā rokasgrāmatā norādītajiem EGO lādētājiem. |

| PROBLĒMA | CĒLONIS | RISINĀJUMS |
|--|--|--|
| <p>Trimerā galva nepadod auklu (tikai izmantojot kopā ar trimera galvu).</p> | <ul style="list-style-type: none"> ■ Motora vārpstu vai trimera galvu nosprostojusi zāle. ■ Spolē nepietiek auklas. ■ Trimerā galva ir netīra. ■ Aukla spolē ir sapinusies. ■ Aukla ir par īsu. | <ul style="list-style-type: none"> ■ Apturiet mašīnu, izņemiet akumulatoru un iztīriet zāli no motora vārpstas un trimera galvas. ■ Izņemiet akumulatoru un nomainiet griezējauklu; skatiet šīs rokasgrāmatas nodaļu „AUKLAS MAIŅA”. ■ Izņemiet akumulatoru un notīriet spoli, spoles turētāju un spoles pamatni. ■ Izņemiet akumulatoru, izņemiet no spoles auklu un uztiniet no jauna; skatiet šīs rokasgrāmatas nodaļu „AUKLAS MAIŅA”. ■ Izņemiet bateriju un velciet auklu, vienlaikus nospiežot un atlaižot izcilni. |

GARANTIJA

EGO GARANTIJAS POLITIKA

Lūdzu, apmeklējiet tīmekļa vietni egopowerplus.com, kur pieejama pilna EGO Garantijas politikas noteikumu un nosacījumu versija.

ΔΙΑΒΑΣΤΕ ΟΛΕΣ ΤΙΣ ΟΔΗΓΙΕΣ!



Διαβάστε Το Εγχειρίδιο Χρήσης

⚠ Υπολειπόμενοι κίνδυνοι! Άνθρωποι που φέρουν ηλεκτρονικές συσκευές όπως βηματοδότες πρέπει να συμβουλευούνται τους γιατρούς τους πριν τη χρήση αυτού του προϊόντος. Η λειτουργία ηλεκτρικών εξοπλισμών κοντά σε βηματοδότη μπορεί να προκαλέσει παρεμβολές ή βλάβη στον βηματοδότη.

⚠ ΠΡΟΕΙΔΟΠΟΙΗΣΗ: Για να διασφαλίσετε την ασφάλεια και την αξιοπιστία, όλες οι επισκευές πρέπει να διεξάγονται από εξειδικευμένο τεχνικό του σέρβις.

ΣΥΜΒΟΛΑ ΑΣΦΑΛΕΙΑΣ

Ο σκοπός των συμβόλων ασφαλείας είναι να σας τραβήξουν την προσοχή για ενδεχόμενους κινδύνους. Προσέξτε και κατανοήστε τα σύμβολα ασφαλείας και τις επεξηγήσεις που τα συνοδεύουν. Οι προειδοποιήσεις συμβόλων από μόνες τους δεν εξαλείφουν κανέναν κίνδυνο. Οι οδηγίες και οι προειδοποιήσεις που παρέχουν δεν υποκαθιστούν τα μέτρα σωστής πρόληψης ατυχημάτων.

⚠ ΠΡΟΕΙΔΟΠΟΙΗΣΗ: Βεβαιωθείτε ότι έχετε διαβάσει και κατανοήσει όλες τις οδηγίες ασφαλείας στο παρόν Εγχειρίδιο χειριστή, συμπεριλαμβανομένων όλων των συμβόλων ασφαλείας όπως «**ΚΙΝΔΥΝΟΣ**», «**ΠΡΟΕΙΔΟΠΟΙΗΣΗ**» και «**ΠΡΟΣΟΧΗ**», προτού χρησιμοποιήσετε αυτό το εργαλείο. Η μη τήρηση όλων των παρακάτω οδηγιών μπορεί να οδηγήσει σε ηλεκτροπληξία, πυρκαγιά ή/και σοβαρό ατομικό τραυματισμό.

ΣΗΜΑΣΙΑ ΣΥΜΒΟΛΩΝ

⚠ ΣΥΜΒΟΛΟ ΕΙΔΟΠΟΙΗΣΗΣ ΑΣΦΑΛΕΙΑΣ: Υποδηλώνει **ΚΙΝΔΥΝΟ**, **ΠΡΟΕΙΔΟΠΟΙΗΣΗ** ή **ΠΡΟΣΟΧΗ** και μπορεί να χρησιμοποιείται σε συνδυασμό με άλλα σύμβολα ή εικονογράμματα.



⚠ ΠΡΟΕΙΔΟΠΟΙΗΣΗ: Η λειτουργία ηλεκτρικών εργαλείων μπορεί να επιφέρει εκτόξευση ξένων αντικειμένων στα μάτια σας, με αποτέλεσμα σοβαρή βλάβη σε αυτά. Προτού ξεκινήσετε τη λειτουργία του ηλεκτρικού εργαλείου φοράτε πάντα προστατευτικά γυαλιά ή γυαλιά με πλευρική προστασία και εφόσον απαιτείται πλήρη προστατευτική προσωπίδα. Συστήνουμε μια προσωπίδα ασφαλείας ευρείας όρασης για χρήση πάνω από γυαλιά ή συνήθη προστατευτικά γυαλιά με πλευρική προστασία.

ΟΔΗΓΙΕΣ ΑΣΦΑΛΕΙΑΣ

Αυτή η σελίδα απεικονίζει και περιγράφει τα σύμβολα ασφαλείας που υπάρχουν ενδεχομένως σε αυτό το προϊόν. Διαβάστε, κατανοείτε και ακολουθείτε όλες τις οδηγίες στη μηχανή προτού προσπαθήσετε να διεξάγετε εργασίες συναρμολόγησης και λειτουργίας.

| | | |
|--|--------------------------------|---|
| | Ειδοποίηση ασφαλείας | Υποδηλώνει ενδεχόμενο κίνδυνο ατομικού τραυματισμού. |
| | Διαβάστε το εγχειρίδιο χρήσης | Προκειμένου να μειωθεί ο κίνδυνος τραυματισμού, ο χρήστης πρέπει να διαβάσει και να κατανοήσει το εγχειρίδιο χρήσης προτού χρησιμοποιήσει αυτό το προϊόν. |
| | Φοράτε προστατευτικά γυαλιά | Φοράτε πάντοτε προστατευτικά γυαλιά ή γυαλιά ασφαλείας με πλευρική προστασία και πλήρη προστατευτική προσωπίδα κατά τη λειτουργία αυτού του προϊόντος. |
| | Φοράτε προστατευτικά ακοής | Φοράτε πάντα ωτοασπίδες για την προστασία της ακοής σας. |
| | Φοράτε προστασία για το κεφάλι | Φοράτε ένα εγκεκριμένο για την ασφάλεια σκληρό καπέλο για την προστασία του κεφαλιού σας. |
| | Φοράτε προστατευτικά γάντια | Προστατεύετε τα χέρια σας με γάντια κατά το χειρισμό της λεπίδας ή του προστατευτικού της. Τα ανθεκτικά, αντιολισθητικά γάντια βελτιώνουν το κράτημα και προστατεύουν τα χέρια σας. |

| | | |
|--|--|--|
| | Φοράτε υποδήματα ασφαλείας | Φοράτε αντιολισθητικά υποδήματα ασφαλείας όταν χρησιμοποιείτε αυτό τον εξοπλισμό. |
| | Προσέχετε την αναπήδηση της λεπίδας | Ο χειριστής πρέπει να έχει πάντα το νου του στον κίνδυνο από την αναπήδηση της λεπίδας. |
| | Σε περίπτωση εξοστρακισμού διατηρείτε μακριά τους παρευρισκόμενους | Αντικείμενα που πετούνται μπορεί να εξοστρακιστούν και να προκύψει ατομικός τραυματισμός ή ζημιά στην ιδιοκτησία. Εξασφαλίστε ότι άλλα άτομα ή κατοικίδια παραμένουν τουλάχιστον μακριά από το θαμνοκοπτικό όταν αυτό χρησιμοποιείται. |
| | Διατηρείτε μακριά τους παρευρισκόμενους | Εξασφαλίστε ότι άλλα άτομα ή κατοικίδια παραμένουν τουλάχιστον 15 μ. μακριά από το χλαοκοπτικό με νήμα όταν αυτό χρησιμοποιείται. |
| | Η λεπίδα δεν είναι στρογγυλή | Μην εγκαθιστάτε στρογγυλές λεπίδες κοπής. |
| | Μην εκθέτετε το εργαλείο στη βροχή | Μη χρησιμοποιείτε στη βροχή ή μην αφήνετε σε εξωτερικό χώρο ενώ βρέχει. |
| | CE | Αυτό το προϊόν συμφωνεί με τις ισχύουσες οδηγίες της ΕΚ. |

| | | |
|----------------|-----------------------|--|
| | ΑΗΗΕ (WEEE) | Τα άχρηστα ηλεκτρικά προϊόντα δεν πρέπει να απορρίπτονται στα οικιακά απόβλητα. Παραδίδετε τα σε μια εξουσιοδοτημένη εταιρεία ανακύκλωσης. |
| | Θόρυβος | Εγγυημένη στάθμη ηχητικής ισχύος. Εκπομπές θορύβου στο περιβάλλον σύμφωνα με την οδηγία της Ευρωπαϊκής Ένωσης. |
| V | V | Volti |
| | Συνεχές ρεύμα | Τύπος ή χαρακτηριστικό του ρεύματος |
| n ₀ | Ταχύτητα χωρίς φορτίο | Ταχύτητα περιστροφής, χωρίς φορτίο |
| ... /min | Ανά λεπτό | Στροφές ανά λεπτό |

ΣΗΜΑΝΤΙΚΕΣ ΟΔΗΓΙΕΣ ΑΣΦΑΛΕΙΑΣ

⚠ ΠΡΟΕΙΔΟΠΟΙΗΣΗ! Όταν χρησιμοποιείτε αυτό το προϊόν θα πρέπει να τηρείτε τις βασικές προφυλάξεις ασφαλείας, έτσι ώστε να ελαχιστοποιηθεί ο κίνδυνος πυρκαγιάς, ηλεκτροπληξίας και σωματικών βλαβών, συμπεριλαμβανομένων και των ακόλουθων:

ΔΙΑΒΑΣΤΕ ΠΡΟΣΕΚΤΙΚΑ ΠΡΙΝ ΑΠΟ ΤΗ ΧΡΗΣΗ ΦΥΛΑΞΤΕ ΓΙΑ ΜΕΛΛΟΝΤΙΚΗ ΧΡΗΣΗ

⚠ ΚΙΝΔΥΝΟΣ! Μην επαναπαύεστε στη μόνωση του εργαλείου έναντι ηλεκτροπληξίας. Για τη μείωση κινδύνου ηλεκτροπληξίας ποτέ μη χειρίζεστε το μηχάνημα κοντά σε σύρματα ή καλώδια (ρεύματος κ.λπ.) τα οποία μπορεί να φέρουν ηλεκτρικό ρεύμα.

⚠ ΠΡΟΣΟΧΗ! Φοράτε κατάλληλη ατομική προστασία ακοής κατά τη χρήση. Υπό ορισμένες συνθήκες και χρονικές διάρκειες χρήσης, ο θόρυβος από αυτό το προϊόν μπορεί να συνεισφέρει σε απώλεια της ακοής.

GR

ΕΚΠΑΙΔΕΥΣΗ

- Διαβάστε με προσοχή όλες τις οδηγίες. Εξοικειωθείτε με τα χειριστήρια και τη σωστή χρήση του μηχανήματος.
- Μην επιτρέψετε ποτέ σε άτομα μη εξοικειωμένα με αυτές τις οδηγίες ή σε παιδιά να χρησιμοποιήσουν το μηχάνημα. Οι τοπικοί κανονισμοί μπορεί να επιβάλλουν περιορισμό στην ηλικία του χειριστή.
- Έχετε υπόψη σας ότι ο χειριστής ή ο χρήστης είναι αποκλειστικά υπεύθυνος για ατυχήματα ή κινδύνους που προκύπτουν προς άλλα άτομα ή την περιουσία τους.

ΠΡΟΕΤΟΙΜΑΣΙΑ

- Μη χρησιμοποιείτε ποτέ αυτό το προϊόν όταν βρίσκονται κοντά άτομα, ιδίως παιδιά ή κατοικίδια.
- Χρησιμοποιείτε προστατευτικά για τα μάτια και ανθεκτικά υποδήματα συνεχώς όταν χρησιμοποιείτε το προϊόν αυτό.
- Η απόσταση μεταξύ του μηχανήματος και των παριστάμενων πρέπει να είναι τουλάχιστο 15 μ.

ΛΕΙΤΟΥΡΓΙΑ

- Χρησιμοποιείτε το θαμνοκοπτικό μόνο με το φως της ημέρας ή με καλό τεχνητό φως.
- Μη χρησιμοποιείτε ποτέ το θαμνοκοπτικό αν τα προστατευτικά εξαρτήματα ή οι θωρακίσεις είναι χαλασμένα ή αν δεν βρίσκονται στη θέση τους.
- Ενεργοποιείτε τον κινητήρα μόνο όταν τα χέρια και τα πόδια σας βρίσκονται μακριά από τα κοπτικά εξαρτήματα.
- Αποσυνδέετε πάντα το θαμνοκοπτικό από την τροφοδοσία ισχύος (δηλαδή αφαιρέστε τη συστοιχία μπαταριών).
 - όποτε αφήνετε το θαμνοκοπτικό ανεπιτήρητο,
 - πριν καθαρίσετε ένα μπλοκάρισμα,
 - πριν από έλεγχο, καθαρισμό ή οποιαδήποτε εργασία πάνω στο θαμνοκοπτικό,
 - σε περίπτωση που χτυπήσετε σε ξένο αντικείμενο,
 - αν το θαμνοκοπτικό αρχίζει να δονείται αφύσικα.
- Προσέχετε να μην τραυματιστείτε στα πόδια και χέρια από τα κοπτικά εξαρτήματα.
- Φροντίστε τα ανοίγματα εξερισμού να είναι πάντα καθαρά, χωρίς σκουπίδια.

ΣΥΝΤΗΡΗΣΗ ΚΑΙ ΑΠΟΘΗΚΕΥΣΗ

- Αποσυνδέστε το θαμνοκοπτικό από την τροφοδοσία ισχύος (δηλαδή αφαιρέστε τη συστοιχία μπαταριών) προτού διεξάγετε εργασίες συντήρησης ή καθαρισμού.

- Χρησιμοποιείτε μόνο τα ανταλλακτικά και αξεσουάρ που συνιστώνται από τον κατασκευαστή.
- Ελέγχετε και συντηρείτε τακτικά το θαμνοκοπτικό. Οι επισκευές του μηχανήματος πρέπει πάντα να πραγματοποιούνται από ένα εξουσιοδοτημένο κέντρο επισκευής.
- Όταν δεν χρησιμοποιείτε το θαμνοκοπτικό, αποθηκεύτέ το σε μέρος όπου δεν πλησιάζουν παιδιά.

ΆΛΕΣ ΠΡΟΕΙΔΟΠΟΙΗΣΕΙΣ ΑΣΦΑΛΕΙΑΣ

- **Κρατάτε τα παιδιά μακριά** – Όλοι οι επισκέπτες πρέπει να παραμένουν σε μια απόσταση τουλάχιστον 30 μ. (100 feet) από το χώρο εργασίας.
- **Αποφεύγετε επικίνδυνα περιβάλλοντα** - Μη χρησιμοποιείτε τις συσκευές σε βρεγμένες ή υγρές τοποθεσίες.
- **Απενεργοποιείτε πάντα το θαμνοκοπτικό ή απομακρύνετε τη συστοιχία μπαταριών όποτε αφήνετε το εργαλείο ανεπιτήρητο.**
- **Μη χρησιμοποιείτε στη βροχή.**
- **Ντύστε κατάλληλα** - Μη φοράτε χαλαρό ρουχισμό, κοσμήματα, κοντά παντελόνια, σανδάλια και μην είστε ζυπόλυτοι. Είναι πιθανό να εγκλωβιστούν στα κινούμενα εξαρτήματα. Να φοράτε πάντα μακριά παντελόνια μεγάλης αντοχής και μακρυμάνικη μπλούζα. Όταν εργάζεστε σε εξωτερικούς χώρους συνιστάται να χρησιμοποιείτε λαστιχένια γάντια και γερά παπούτσια. Φοράτε προστατευτικό κάλυμμα κεφαλής για να περιορίσετε τα μακριά μαλλιά πάνω από τους ώμους.
- **Χρησιμοποιείτε γυαλιά ασφαλείας** – Χρησιμοποιείτε πάντα μια μάσκα για το πρόσωπο ή προστατευτικό από τη σκόνη εάν δημιουργείται σκόνη κατά την εργασία.
- **Χρησιμοποιείτε το σωστό εργαλείο** – Μη χρησιμοποιείτε το εργαλείο για άλλη εργασία από την προοριζόμενη.
- **Μη ζορίζετε το θαμνοκοπτικό** – Η εργασία θα γίνει καλύτερα και με λιγότερους κινδύνους στον ρυθμό για τον οποίο έχει σχεδιαστεί.
- **Μην προεκτείνετε** – Πατάτε πάντα σταθερά και διατηρείτε την ισορροπία σας.
- **Να είστε σε εγρήγορση** και να προσέχετε τι κάνετε. Χρησιμοποιείτε κοινή λογική. Μη λειτουργείτε το θαμνοκοπτικό όταν είστε κουρασμένοι.
- **Μη χρησιμοποιείτε το θαμνοκοπτικό εάν είστε υπό την επήρεια αλκοόλ ή φαρμάκων.**
- **Τα προστατευτικά πρέπει να παραμένουν στη θέση τους και σε άσηχη κατάσταση λειτουργίας.**
- **Διατηρείτε τα χέρια και τα πόδια πάντα μακριά από τον τομέα κοπής.**

- **Αποθηκεύετε το θαμνοκοπτικό σε εσωτερικό χώρο** – Όταν δεν το χρησιμοποιείτε πρέπει να το αποθηκεύετε σε εσωτερικό χώρο σε στεγνή τοποθεσία, ψηλά ή σε ασφαλές σημείο, έχοντας αφαιρέσει τη συστοιχία μπαταριών και εκτός εμβέλειας παιδιών.
- **Συντηρείτε το θαμνοκοπτικό με φροντίδα** – Διατηρείτε το προσάρτημα κοπής καθαρό για εξαιρετική απόδοση και για μείωση τραυματισμών. Ακολουθείτε τις οδηγίες σχετικά με την αλλαγή αξεσουάρ. Διατηρείτε τις λαβές στεγνές, καθαρές και απομακρύνετε από αυτές τυχόν λάδια και γράσο.
- **Ελέγχετε τα φθαρμένα εξαρτήματα** – Πριν χρησιμοποιήσετε περαιτέρω το θαμνοκοπτικό, πρέπει να ελέγχετε προσεκτικά τα προστατευτικά ή άλλα εξαρτήματα για ενδείξεις βλάβης για να προσδιορίσετε αν θα λειτουργήσουν σωστά και αν θα πραγματοποιήσουν τη λειτουργία για την οποία προορίζονται. Ελέγχετε για στρεβλώσεις ή εμπλοκή των κινούμενων εξαρτημάτων, σπάσιμο τμημάτων, ορθή συναρμολόγηση ή οποιαδήποτε άλλη κατάσταση που είναι πιθανό να επηρεάσει τη λειτουργία του ηλεκτρικού εργαλείου. Η καλύπτρα ή οποιοδήποτε άλλο τμήμα που έχει φθαρεί θα πρέπει να επισκευαστεί σωστά ή να αντικατασταθεί σε εξουσιοδοτημένο σημείο σέρβις, εκτός κι αν αναφέρεται διαφορετικά στο παρόν εγχειρίδιο.
- **Εξασφαλίστε ότι όλοι σφιγκτήρες είναι στη θέση τους και σφιγμένοι καλά.** Βεβαιώστε ότι το προστατευτικό προσαρτήματος κοπής έχει τοποθετηθεί σωστά και στην προτεινόμενη θέση από τον κατασκευαστή.
- **Καθαρίζετε την περιοχή κοπής πριν από κάθε χρήση.** Απομακρύνετε όλα τα αντικείμενα όπως πέτρες, σπασμένα γυαλιά, καρφιά, σύρματα ή νήματα τα οποία μπορεί να πεταχτούν ή να μπερδευτούν στο προσάρτημα κοπής. Εκκενώνετε το χώρο από παιδιά, παρευρισκόμενους και κατοικίδια. Τα παιδιά, οι παρευρισκόμενοι και τα κατοικίδια πρέπει να βρίσκονται τουλάχιστον σε μια ακτίνα 15 μ. (50 ft). Μπορεί να συνεχίζει να υπάρχει κίνδυνος λόγω εκτοξευόμενων αντικειμένων εκτός της ακτίνας 15 μ. (50 ft). Οι παρευρισκόμενοι πρέπει να ενθαρρύνονται να φοράνε προστασία για τα μάτια.
- **Πριν χρησιμοποιήσετε το θαμνοκοπτικό και μετά από οποιαδήποτε πρόσκρουση, ελέγξτε για ενδείξεις φθοράς ή ζημιάς και προβείτε σε επισκευή όπως απαιτείται.**
- **Κρατάτε πάντα το θαμνοκοπτικό σφιχτά και με τα δύο χέρια από τις λαβές κατά τη λειτουργία.** Τυλίγεται το δάχτυλο και τον αντίχειρα γύρω από τις λαβές.
- **Αποφεύγετε τυχαία εκκίνηση** – Μην μεταφέρετε το θαμνοκοπτικό με το δάχτυλο στη σκανδάλη.
- **Μη χειρίζεστε το θαμνοκοπτικό σε ατμόσφαιρα με αέρια ή σε εκρηκτική ατμόσφαιρα.** Τα μοτέρ σε αυτές τις συσκευές παρουσιάζουν φυσιολογικά σπινθήρες και οι σπινθήρες μπορεί να αναφλέξουν αέρια.
- **Ζημιά στο θαμνοκοπτικό** – Εάν χτυπήσετε ένα ξένο αντικείμενο με το θαμνοκοπτικό ή εάν προκύψει μπλοκάρισμα, σταματήστε το εργαλείο αμέσως, απομακρύνετε τη συστοιχία μπαταριών από το θαμνοκοπτικό, ελέγξτε για ζημιές και επιτρέψτε την επισκευή πριν από περαιτέρω λειτουργία. Μη χειρίζεστε με σπασμένο προστατευτικό ή προσάρτημα κοπής.
- **Εάν ο εξοπλισμός αρχίσει να δονείται μη φυσιολογικά, σταματήστε τον κινητήρα, απομακρύνετε τη συστοιχία μπαταριών από το θαμνοκοπτικό και διαπιστώστε αμέσως την αιτία.** Οι κραδασμοί είναι συνήθως προειδοποίηση προβλημάτων. Μια χαλαρή μονάδα κοπής μπορεί να δονείται, να ραγίσει, να σπάσει ή να ξεφύγει από το θαμνοκοπτικό με αποτέλεσμα σοβαρό ή θανατηφόρο τραυματισμό. Βεβαιώστε ότι η μονάδα κοπής είναι σωστά τοποθετημένη και καλά σφιγμένη. Εάν η μονάδα κοπής λασκάρει μετά τη στερέωση στη θέση της, αντικαταστήστε την αμέσως. Ποτέ μη χρησιμοποιείτε ένα θαμνοκοπτικό με λασκαρισμένη μονάδα κοπής.
- **Αντικαθιστάτε μια ραγισμένη, με ζημίες ή φθαρμένη μονάδα κοπής αμέσως, ακόμα και εάν η ζημιά είναι μόνο επιφανειακές ρωγμές.** Τέτοια μονάδα μπορεί να σπάσει σε υψηλή ταχύτητα και να προκαλέσει σοβαρό ή θανατηφόρο τραυματισμό.
- **Για μείωση του κινδύνου τραυματισμού, ποτέ μην εργάζεστε επάνω σε σκάλα ή σε οποιαδήποτε άλλη μη ασφαλή υποστήριξη.** Ποτέ μην κρατάτε τη μονάδα κοπής πάνω από το ύψος μέσης.
- **Ποτέ μη χρησιμοποιείτε άλλα νήματα στη θέση των νημάτων κοπής, τεμάχια σύρματος μπορεί να σπάσουν και να εκτοξευτούν σε υψηλές ταχύτητες προς το χειριστή ή παρευρισκόμενους.**
- **Πατάτε σταθερά και διατηρείτε την ισορροπία σας.** Μην προεκτείνετε. Κρατάτε τη μονάδα κοπής κάτω από το επίπεδο της μέσης σας. Έχετε όλα τα τμήματα του σώματός σας μακριά από την περιστρεφόμενη μονάδα κοπής.
- **Ελέγχετε τη μονάδα κοπής ανά τακτά χρονικά διαστήματα κατά τη λειτουργία ή αμέσως, εάν υπάρχει αισθητή αλλαγή στη συμπεριφορά κοπής.**
- **Χρησιμοποιείτε μόνο τα εξουσιοδοτημένα από την EGO αξεσουάρ νήματος και λεπίδας από πολυμερές, το νήμα και τη λεπίδα χλοοκοπτικού που έχουν σχεδιαστεί για χρήση με αυτό το θαμνοκοπτικό.** Ορισμένες μη εγκεκριμένες μονάδες μπορεί να είναι πολύ επικίνδυνες ή/και μπορεί να προκαλέσουν ζημιά στα εργαλεία.

- Εάν σας προσεγγίσουν, σταματήστε το μοτέρ και τη μονάδα κοπής.
- Προειδοποιείτε το χειριστή για τον κίνδυνο από την αναπήδηση της λεπίδας (ισχύει μόνο κατά τη χρήση με λεπίδα 3 οδοντώσεων).
 - Η ανάκρουση λεπίδας μπορεί να προκύψει όταν η περιστρεφόμενη λεπίδα έρθει σε επαφή με ένα αντικείμενο που δεν κόβει απευθείας.
 - Η ανάκρουση του δίσκου κοπής μπορεί να είναι τόσο απότομη, ώστε να τινάξει τη μονάδα και/ή το χειριστή προς οποιαδήποτε κατεύθυνση, με κίνδυνο να χαθεί ο έλεγχος της μονάδας.
 - Η ανάκρουση του δίσκου κοπής μπορεί να συμβεί απροειδοποίητα, αν η λεπίδα πάθει εμπλοκή, σβήσει ή κολλήσει.
 - Η ανάκρουση του δίσκου κοπής είναι πιθανότερο να συμβεί σε περιοχές όπου δεν διακρίνεται καλά το υλικό που κόβει το μηχάνημα.
- Μην προσαρτάτε λεπίδες σε μια μονάδα χωρίς σωστή εγκατάσταση των απαιτούμενων εξαρτημάτων. Εάν δεν χρησιμοποιούνται τα σωστά εξαρτήματα μπορεί να προκληθεί εκτόξευση της λεπίδας και σοβαρός τραυματισμός του χειριστή ή/και των παρευρισκόμενων. Απορρίψτε τις λεπίδες που έχουν λυγίσει, στραβώσει, ραγίσει, σπάσει ή καταστραφεί με οποιονδήποτε τρόπο. Χρησιμοποιείτε αιχμηρές λεπίδες. Μια στομωμένη λεπίδα έχει περισσότερες πιθανότητες να σκαλώσει και να αναπηδήσει (χρήση μόνο λεπίδας 3 οδοντώσεων).
- Η συστοιχία μπαταριών πρέπει να απορρίπτεται με ασφάλεια.
- Μια λεπίδα/Ένα νήμα που κινείται ελεύθερα μπορεί να προκαλέσει τραυματισμό όταν συνεχίζει να περιστρέφεται αφού σβήσει ο κινητήρας ή απελευθερωθεί η σκανδάλη. Διατηρείτε καλό έλεγχο μέχρι να σταματήσει τελείως η περιστροφή της λεπίδας/του νήματος.
- Μη φορτίζετε την μπαταρία στη βροχή ή σε υγρές τοποθεσίες.
- Χρησιμοποιείτε μόνο με συστοιχίες μπαταριών και φορτιστές της EGO που αναφέρονται παρακάτω:

| ΣΥΣΤΟΙΧΙΑ ΜΠΑΤΑΡΙΩΝ | ΦΟΡΤΙΣΤΗΣ |
|---|--------------------|
| BA1120E, BA1400, BA2240E, BA2800, BA3360, BA4200, BAX1300 | CH2100E CH5500E |
- Η συστοιχία μπαταριών πρέπει να απομακρυνθεί από τη συσκευή πριν την απόρριψη της τελευταίας.
- Μην απορρίπτετε τις μπαταρίες στη φωτιά. Τα στοιχεία μπορεί να εκραγούν. Ελέγχετε τους τοπικούς κώδικες για πιθανές ειδικές οδηγίες απόρριψης.
- Μην ανοίγετε ή παραμορφώνετε τη μπαταρία. Ο ηλεκτρολύτης που αποδεσμεύεται είναι διαβρωτικός και μπορεί να προκαλέσει βλάβη στα μάτια ή το δέρμα. Μπορεί να είναι τοξικός εάν καταποθεί.
- Να είστε προσεκτικοί κατά το χειρισμό μπαταριών ώστε να μην βραχυκυκλωθεί η μπαταρία με αγωγίμα υλικά όπως δαχτυλίδια, βραχιόλια και κλειδιά. Η μπαταρία ή ο αγωγός μπορεί να υπερθερμανθούν και να προκαλέσουν εγκαύματα.
- Εξαρτήματα αντικατάστασης - Όταν κάνετε συντήρηση του εργαλείου, χρησιμοποιείτε μόνο ίδια ανταλλακτικά της EGO. Η χρήση οποιουδήποτε άλλου αξεσουάρ ή προσαρτήματος μπορεί να αυξήσει τον κίνδυνο τραυματισμού.
- Τα εργαλεία μπαταρίας δεν πρέπει να συνδέονται σε ηλεκτρική πρίζα. Γι' αυτό βρίσκονται πάντα σε κατάσταση λειτουργίας. Προσέχετε πιθανούς κινδύνους ακόμα και όταν το εργαλείο δεν λειτουργεί. Προσέχετε όταν διεξάγετε συντήρηση ή σέρβις.
- Αφαιρείτε ή αποσυνδέετε τη συστοιχία μπαταριών πριν τον σέρβις, τον καθαρισμό ή την απομάκρυνση υλικών από το θαμνοκοπτικό.
- Μην πλένετε με λάστιχο. Αποφεύγετε να εισέρχεται νερό στον κινητήρα και στις ηλεκτρικές συνδέσεις.
- Εάν προκύψουν καταστάσεις που δεν καλύπτονται στο παρόν εγχειρίδιο, να είστε προσεκτικοί και να κρίνετε σωστά. Επικοινωνήστε με το κέντρο σέρβις πελατών της EGO για βοήθεια.

ΦΥΛΑΞΤΕ ΑΥΤΕΣ ΤΙΣ ΟΔΗΓΙΕΣ!

GR

ΠΡΟΔΙΑΓΡΑΦΕΣ

| | | | |
|--|----------------------------------|---------------------------------|---------------------------------|
| Μονάδα κοπής | Κεφαλή κοπής | Μεταλλική λεπίδα 3 οδοντώσεων | |
| Τάση | 56 V | 56 V | |
| Ταχύτητα χωρίς φορτίο | 4500-6000 /min | 4500-6000 /min | |
| Τύπος νήματος κοπής | 2,4 χιλ νάιλον συστρεφόμενο νήμα | / | |
| Λεπίδα κοπής | / | ABB1203 | |
| Πλάτος κοπής | 38 εκ | 30 εκ | |
| Βάρος (Χωρίς πακέτο μπαταριών) | 4,35 κιλά | 4,64 κιλά | |
| Μετρημένη στάθμη ηχητικής ισχύος L_{WA} | 94,80 dB(A); K=1,01 dB(A) | 94,04 dB(A); K=1,71 dB(A) | |
| Στάθμη ηχητικής πίεσης στη θέση χειριστή L_{PA} | 80,2 dB(A); K=2,5 dB(A) | 80,0 dB(A); K=4,1 dB(A) | |
| Εγγυημένο επίπεδο ισχύος ήχου L_{WA} (σύμφωνα με 2000/14/EC) | 96 dB(A) | 96 dB(A) | |
| Αξιολόγηση δονήσεων a_h : | Αριστερή χειρολαβή | 2,28 m/s^2 ; K=1,5 m/s^2 | 1,55 m/s^2 ; K=1,5 m/s^2 |
| | Δεξιά χειρολαβή | 2,38 m/s^2 ; K=1,5 m/s^2 | 1,88 m/s^2 ; K=1,5 m/s^2 |

- Η αναφερόμενη συνολική τιμή κραδασμών έχει μετρηθεί σύμφωνα με την πρότυπη μέθοδο ελέγχου και μπορεί να χρησιμοποιηθεί για τη σύγκριση ενός εργαλείου με κάποιο άλλο.
- Η αναφερόμενη συνολική τιμή κραδασμών μπορεί να χρησιμοποιηθεί επίσης για την προκαταρκτική αξιολόγηση της έκθεσης.

ΣΗΜΕΙΩΣΗ: Οι εκπομπές κραδασμών κατά τη διάρκεια της πραγματικής χρήσης του ηλεκτρικού εργαλείου μπορεί να διαφέρουν από τη δηλωμένη τιμή στην οποία χρησιμοποιείται το εργαλείο. Για την προστασία του χειριστή, πρέπει να χρησιμοποιούνται γάντια και προστασία της ακοής στις πραγματικές συνθήκες χρήσης.

ΚΑΤΑΛΟΓΟΣ ΕΞΑΡΤΗΜΑΤΩΝ ΣΥΣΚΕΥΑΣΙΑΣ

| ΟΝΟΜΑ ΕΞΑΡΤΗΜΑΤΟΣ | ΠΟΣΟΤΗΤΑ |
|-------------------------------|----------|
| Θαμνοκοπτικό | 1 |
| Λεπίδα 3 οδοντώσεων με θήκη | 1 |
| Συγκρότημα προστατευτικού | 1 |
| Παξιμάδι | 1 |
| Εξωτερική φλάντζα | 1 |
| Εξάγωνο κλειδί | 1 |
| Κλειδί πολλαπλών λειτουργιών | 1 |
| Διπλός ιμάντας πρόσδεσης ώμου | 1 |
| Εγχειρίδιο χρήσης | 1 |

ΠΕΡΙΓΡΑΦΗ

ΓΝΩΡΙΣΤΕ ΤΟ ΘΑΜΝΟΚΟΠΤΙΚΟ ΣΑΣ (Εικ. Α)

1. Μαχλός περιορισμού ταχύτητας
2. Μαχλός ασφάλισης
3. Πεταλούδα
4. Σκανδάλη
5. Χειρολαβή τύπου ποδηλάτου
6. Άξονας
7. Νήμα κοπής
8. Συγκρότημα προστατευτικού
9. Κεφαλή κοπής
10. Βίδα στεγανοποίησης
11. Οπή ασφάλισης άξονα
12. Συγκρότημα προστατευτικού
13. Κλειδί πολλαπλών λειτουργιών
14. Εξάγωνο κλειδί
15. Λεπίδα 3 οδοντώσεων
16. Εξωτερική φλάντζα
17. Παξιμάδι
18. Κομπτί απελευθέρωσης
19. Προστατευτικό ελαστικό πατάκι
20. Μάνταλο
21. Ηλεκτρικές επαφές
22. Μηχανισμός εκτόξευσης
23. Θηλυκωτήρι ιμάντα
24. Μαλακό τμήμα γοφού

⚠ ΠΡΟΕΙΔΟΠΟΙΗΣΗ: Ποτέ μη χειρίζεστε το εργαλείο χωρίς το προστατευτικό στη θέση του. Το προστατευτικό πρέπει να βρίσκεται πάντα στο εργαλείο για την προστασία του χρήστη.

⚠ ΠΡΟΕΙΔΟΠΟΙΗΣΗ: Όταν το εργαλείο είναι εξοπλισμένο με κεφαλή κοπής, το αξεσουάρ προστατευτικού με νήμα/λεπίδα κοπής πρέπει να τοποθετείται επάνω στο προστατευτικό. Μη συμμόρφωση επιφέρει μια εξαιρετικά μακριά γραμμή κοπής και υπεφόρτωση του μοτέρ. Ποτέ μη χρησιμοποιείτε την κεφαλή κοπής χωρίς το προστατευτικό αξεσουάρ.

ΜΗΧΑΝΙΣΜΟΣ ΕΚΤΟΞΕΥΣΗΣ

⚠ ΠΡΟΕΙΔΟΠΟΙΗΣΗ: Σε περίπτωση που κάποια από τα εξαρτήματα έχουν υποστεί ζημιά ή λείπουν, μη χρησιμοποιήσετε το θαμνοκοπτικό, μέχρι να αντικατασταθούν. Η χρήση αυτού του θαμνοκοπτικού με φθαρμένα ή ελλειπή εξαρτήματα μπορεί να έχει σαν αποτέλεσμα σοβαρό ατομικό τραυματισμό.

⚠ ΠΡΟΕΙΔΟΠΟΙΗΣΗ: Μην επιχειρήσετε να τροποποιήσετε αυτό το θαμνοκοπτικό ή να χρησιμοποιήσετε εξαρτήματα που δεν συστήνονται για χρήση με αυτό το προϊόν. Οποιαδήποτε τέτοια μετατροπή ή τροποποίηση μπορεί να προκαλέσει επικίνδυνες συνθήκες με επακόλουθο σοβαρό τραυματισμό.

⚠ ΠΡΟΕΙΔΟΠΟΙΗΣΗ: Φοράτε πάντα ανθεκτικά γάντια κατά την εγκατάσταση ή απομάκρυνση του προστατευτικού ή τη διεξαγωγή οποιασδήποτε συντήρησης στη λεπίδα 3 οδοντώσεων/στο νήμα κοπής. Προσέχετε το νήμα/τη λεπίδα κοπής στο προστατευτικό αξεσουάρ/τη λεπίδα 3 οδοντώσεων και προστατεύετε τα χέρια σας από τραυματισμό και από τις δύο λεπίδες.

⚠ ΠΡΟΕΙΔΟΠΟΙΗΣΗ: Για να εμποδίσετε τυχαία εκκίνηση που θα μπορούσε να προκαλέσει σοβαρό ατομικό τραυματισμό, απομακρύνετε πάντα τη συστοιχία μπαταριών από το εργαλείο όταν συναρμολογείτε εξαρτήματα ή μεταφέρετε το μηχάνημα.

⚠ ΠΡΟΕΙΔΟΠΟΙΗΣΗ: Ποτέ μη χειρίζεστε το εργαλείο χωρίς το προστατευτικό και τη λαβή τύπου ποδηλάτου στη θέση τους. Σε μη συμμόρφωση μπορεί να επέλθει πιθανός σοβαρός ατομικός τραυματισμός.

ΤΟΠΟΘΕΤΗΣΗ ΚΑΙ ΡΥΘΜΙΣΗ ΤΗΣ ΛΑΒΗΣ ΤΥΠΟΥ ΠΟΔΗΛΑΤΟΥ

Το θαμνοκοπτικό αποθηκεύεται όπως φαίνεται στην Εικ. Β. Πρώτα λασκάρτε την πεταλούδα στην άρθρωση σύνδεσης και κατόπιν σηκώστε τη λαβή τύπου ποδηλάτου κατά 180° γύρω από τον άξονα (Εικ. C), περιστρέψτε κατά 90° αριστερόστροφα ώστε να βλέπει προς την κεφαλή πρόσκρουσης (Εικ. D). Τέλος μετακινήστε πίσω και εμπρός για να επιτύχετε μια άνετη θέση εργασίας και σφίξτε το μπουλόνι.

ΣΗΜΕΙΩΣΗ: Η λειτουργία του μηχανήματος επιτρέπεται μόνο με τη λαβή τύπου ποδηλάτου κάθετα προς τον άξονα.

ΤΟΠΟΘΕΤΗΣΗ ΤΟΥ ΠΡΟΣΤΑΤΕΥΤΙΚΟΥ

Ξεβιδώστε τις δυο βίδες από τη βάση του άξονα (Εικ. E) και αφαιρέστε τις. Ευθυγραμμίστε τις σπές εγκατάστασης του προστατευτικού με τις σπές της συναρμολόγησης και ασφαλίστε το προστατευτικό πάνω στη βάση του άξονα, με τη βοήθεια των δυο βιδών και δύο ελατηριωτών ροδελών (Εικ. F).

Εξασφαλίστε ότι το προστατευτικό έχει σφίχτεί σύμφωνα με τις Εικ. E & F, οποιαδήποτε αντίστροφη στερέωση θα προκαλέσει εξαιρετικά σοβαρό κίνδυνο!

ΑΝΤΙΚΑΤΑΣΤΑΣΗ ΤΗΣ ΚΕΦΑΛΗΣ ΧΟΡΤΟΚΟΠΤΙΚΟΥ ΜΕ ΤΗ ΛΕΠΙΔΑ 3 ΟΔΟΝΤΩΣΕΩΝ

Γνωρίστε την κεφαλή χορτοκοπτικού (Εικ. G) και τηρέτε τα βήματα όπως φαίνεται στην Εικ. Η-1 - Εικ. Η-4 (ανατρέξτε στο απόσπασμα «Αντικατάσταση νήματος») για να αποσυναρμολογήσετε την κεφαλή χορτοκοπτικού. Για να τοποθετήσετε τη λεπίδα ακολουθήστε τα παρακάτω βήματα:

1. Για να τοποθετήσετε τη μονάδα μεταλλικής λεπίδας (Εικ. I).
2. Απομακρύνετε το προστατευτικό αξεσουάρ λασκάροντας τις τρεις βίδες με ροδέλα (Εικ. J).

3. Η Λεπίδα αποστέλλεται με μια θήκη. Πρωτού τοποθετήσετε τη λεπίδα επάνω στο θαμνοκοπτικό, η θήκη πρέπει να αφαιρεθεί αφαιρώντας τη σύσφιξη καλωδίου από το άγκιστρο στη θήκη (Εικ. Κ).

Εικ. G- K Για την περιγραφή των εξαρτημάτων δείτε παρακάτω:

| | | | |
|-----|---------------------------|-----|---------------------------|
| G-1 | Εσωτερική φλάντζα | I-3 | Κάλυμμα φλάντζας |
| G-2 | Κάλυμμα φλάντζας | I-4 | Λεπίδα 3 οδοντώσεων |
| G-3 | Άνω διάταξη περιβλήματος | I-5 | Εξωτερική φλάντζα |
| G-4 | Ροδέλα | I-6 | Παξιμάδι |
| G-5 | Παξιμάδι | I-7 | Υποδοχή στη φλάντζα |
| G-6 | Ελατήριο | J-1 | Λεπίδα κοπής νήματος |
| G-7 | Νήμα κοπής | J-2 | Συγκρότημα προστατευτικού |
| G-8 | Κάτω διάταξη περιβλήματος | K-1 | Σύσφιξη καλωδίου |
| I-1 | Άξονας μοτέρ | K-2 | Άγκιστρο |
| I-2 | Εσωτερική φλάντζα | | |

ΣΗΜΕΙΩΣΗ: Για προστασία έναντι τραυματισμών πρέπει να φοράτε γάντια πριν από οποιαδήποτε λειτουργία με τη λεπίδα 3 οδοντώσεων.

4. Περιστρέψτε τον άξονα μοτέρ για να ευθυγραμμίσετε την υποδοχή στην εσωτερική φλάντζα με την οπή στο κιβώτιο γραναζιών (Εικ. L)
5. Εισαγάγετε το εξάγωνο κλειδί μέσα στις ευθυγραμμισμένες οπές, ώστε να ενεργήσει ως σταθεροποιητής (Εικ. M).

Εικ. L & M Για την περιγραφή των εξαρτημάτων δείτε παρακάτω:

| | | | |
|-----|---------------------------------------|-----|----------------|
| L-1 | Κιβώτιο γραναζιών | L-3 | Άξονας μοτέρ |
| L-2 | Ευθυγραμμισμένες οπές ασφάλισης άξονα | M-1 | Σταθεροποιητής |

6. Τοποθετήστε τη λεπίδα επάνω στον άξονα μοτέρ εξασφαλίζοντας ότι η επιφάνεια της λεπίδας είναι ισοπίεδη με την επιφάνεια της προεξοχής εσωτερικής φλάντζας. Τοποθετήστε την εξωτερική φλάντζα και το παξιμάδι (Εικ. N). Σφίξτε αρχικά το παξιμάδι ΑΡΙΣΤΕΡΟΣΤΡΟΦΑ με το χέρι.

Εικ. N Για την περιγραφή των εξαρτημάτων δείτε παρακάτω:

| | |
|-----|---------------------|
| N-1 | Παξιμάδι |
| N-2 | Εξωτερική φλάντζα |
| N-3 | Λεπίδα 3 οδοντώσεων |

7. Τοποθετήστε το κιβώτιο γραναζιών κόντρα σε μια στερεή επιφάνεια για υποστήριξη. Κρατήστε με το ένα χέρι τον άξονα θαμνοκοπτικού και με το άλλο χέρι πιάστε το κλειδί πολλαπλών λειτουργιών για να σφίξετε το παξιμάδι λαμβάνοντας υπόψη το εικονίδιο βέλους κατεύθυνσης στην εξωτερική φλάντζα (Εικ. O).

ΧΡΗΣΗ ΤΟΥ ΠΡΟΣΤΑΤΕΥΤΙΚΟΥ ΑΞΕΣΟΥΡΑ

ΣΗΜΕΙΩΣΗ: Όταν το θαμνοκοπτικό είναι εξοπλισμένο με κεφαλή χλοοκοπτικού, το παρεκκόμενο προστασίας πρέπει να τοποθετείται επάνω στο προστατευτικό.

Ασφαλιζετε το παρεκκόμενο προστασίας επάνω στο προστατευτικό σφίγγοντας τις τρεις βίδες με το εξάγωνο κλειδί διότι το νήμα/η λεπίδα κοπής είναι τοποθετημένα στο παρεκκόμενο προστασίας. Μη συμμόρφωση μπορεί να επιφέρει μια εξαιρετικά μακριά γραμμή κοπής και υπερφόρτωση του μοτέρ.

ΛΕΙΤΟΥΡΓΙΑ

⚠ ΠΡΟΕΙΔΟΠΟΙΗΣΗ: Η εξοικείωσή σας με αυτό το προϊόν δε θα πρέπει να σας κάνει λιγότερο προσεκτικούς. Θυμηθείτε πως ένα κλάσμα δευτερολέπτου απροσεξίας μπορεί να προκαλέσει σοβαρό τραυματισμό.

⚠ ΠΡΟΕΙΔΟΠΟΙΗΣΗ: Φοράτε πάντα προστασία για τα μάτια μαζί με προστασία ακοής. Σε αντίθεση περίπτωση, είναι πιθανό να υπάρξει εκτόξευση αντικειμένων στα μάτια σας και άλλοι πιθανοί σοβαροί τραυματισμοί.

⚠ ΠΡΟΕΙΔΟΠΟΙΗΣΗ: Μη χρησιμοποιείτε εξαρτήματα που δε συνιστώνται από τον κατασκευαστή αυτού του προϊόντος. Η χρήση παρεκκόμενων ή εξαρτημάτων που δε συνιστώνται από τον κατασκευαστή, ενέχει τον κίνδυνο σοβαρού τραυματισμού.

ΕΦΑΡΜΟΓΕΣ

Μπορείτε να χρησιμοποιήσετε το θαμνοκοπτικό για τους κατωτέρω αναφερόμενους σκοπούς:

- **Με μεταλλική λεπίδα 3 οδοντώσεων:** Κοπή γρασιδιού, αγριόχορτων, άγριος βλάστησης και θάμνων, καθάρισμα νέων φυτών με μέγιστη διάμετρο στελέχους 2 εκ.
- **Με κεφαλή χλοοκοπτικού:** Κούρεμα γρασιδιού και αγριόχορτων γύρω από βεράντες, φράχτες και δάπεδα.

ΣΗΜΕΙΩΣΗ: Το εργαλείο πρέπει να χρησιμοποιείται αποκλειστικά για τη σκοπούμενη χρήση. Οποιαδήποτε άλλη χρήση, για παράδειγμα τριμάρισμα άκρων, θα χαρακτηριστεί ως περίπτωση κακής χρήσης.

ΠΡΟΣΑΡΤΗΣΗ/ΑΠΟΜΑΚΡΥΝΣΗ ΤΗΣ ΣΥΣΤΟΙΧΙΑΣ ΜΠΑΤΑΡΙΩΝ

Φορτίστε πλήρως πριν από την πρώτη χρήση.

Για την προσάρτηση

Ευθυγραμμίστε τη νεύρωση μπαταρίας με τις στέγες τοποθέτησης και πιέστε τη συστοιχία μπαταριών κάτω, έως ότου ακούσετε ένα «κλικ» (Εικ. Ρ).

Για την απομάκρυνση

Πιέστε το κουμπί αποδέσμευσης μπαταρίας και τη συστοιχία μπαταριών προς τα έξω (Εικ. Q).

Εικ. Ρ Για την περιγραφή των εξαρτημάτων δείτε παρακάτω:

| | |
|-----|---------------------|
| P-1 | Υποδοχή τοποθέτησης |
| P-2 | Νεύρωση |

ΤΟΠΟΘΕΤΗΣΗ ΤΟΥ ΔΙΠΛΟΥ ΙΜΑΝΤΑ ΠΡΟΣΔΕΣΗΣ ΩΜΟΥ ΚΑΙ ΚΡΑΤΗΜΑ ΤΟΥ ΜΗΧΑΝΗΜΑΤΟΣ

Τοποθετήστε τον διπλό ιμάντα πρόσδεσης ώμου στο σώμα σας και εισαγάγετε τα δύο τμήματα στο θηλυκωτήρι ιμάντα το ένα μέσα στο άλλο, έως ότου να ακουστεί ένα κλικ (Εικ. R-1). Ευθυγραμμίστε το άγκιστρο του μαλακού τμήματος γοφού του κλιπ σωλήνα που είναι στερεωμένο στον άξονα και πιέστε τον άξονα κάτω απαλά (Εικ. R-2 & R-3 & R-4).

Κρατάτε το χλοοκοπτικό με τα δύο χέρια από τη δεξιά πλευρά του σώματός σας (Εικ. S). Η κεφαλή χορτοκοπτικού ή η λεπίδα πρέπει να είναι παράλληλα προς το έδαφος σε μια σωστή απόσταση κοπής χωρίς ο χειριστής να σκύβει.

Η αποδέσμευση του θαμνοκοπτικού μπορεί να επιτευχθεί με δύο τρόπους: Αποδεσμεύστε το θηλυκωτήρι ιμάντα (Εικ. T) ή πιέστε το άγκιστρο του ιμάντα και διαχωρίστε το από το κλιπ σωλήνωσης στον άξονα (Εικ. R-2).

⚠️ ΠΡΟΕΙΔΟΠΟΙΗΣΗ: Σε επείγουσα κατάσταση αφαιρέστε τον από τον ώμο σας αμέσως, ανεξάρτητα από τη θέση του ιμάντα. Αποδεσμεύστε το θηλυκωτήρι ιμάντα (Εικ. T) και με τα δύο χέρια αφαιρέστε από τους ώμους σας σε κάθε πλευρά. Αυτή είναι μια γρήγορη μέθοδος αποδέσμευσης.

⚠️ ΠΡΟΕΙΔΟΠΟΙΗΣΗ: Μη χρησιμοποιείτε το μονό ιμάντα ώμου και το διπλό ιμάντα ώμου ταυτόχρονα.

ΕΚΚΙΝΗΣΗ/ΣΤΑΜΑΤΗΜΑ ΤΟΥ ΘΑΜΝΟΚΟΠΤΙΚΟΥ

Έναρξη

Πατήστε κάτω το μοχλό κλειδώματος και κρατήστε τον σε αυτή τη θέση. Πιέστε τη σκανδάλη για εκκίνηση (Εικ. U).

Διαφορετική πίεση στη σκανδάλη επιφέρει μεταβλητή ταχύτητα περιστροφής της μονάδας κοπής. Εάν χρειάζεται ρυθμίστε το μοχλό περιορισμού ταχύτητας για να προσαρμόσετε τη μέγιστη ταχύτητα.

ΣΗΜΕΙΩΣΗ: Ο μοχλός περιορισμού ταχύτητας μπορεί επίσης να προρυθμιστεί ώστε να περιορίζει τη διαδρομή σκανδάλης.

Σταμάτημα

Απελευθερώστε τη σκανδάλη.

ΣΗΜΕΙΩΣΗ: Ο κινητήρας λειτουργεί μόνο όταν ο μοχλός ασφάλισης και η σκανδάλη πιέζονται μαζί.

⚠️ ΠΡΟΕΙΔΟΠΟΙΗΣΗ: Πάντα απομακρύνετε τη συστοιχία μπαταριών από το χλοοκοπτικό με μεσινέζα κατά τη διάρκεια διαλειμμάτων και μετά την ολοκλήρωση της εργασίας.

ΧΡΗΣΗ ΤΟΥ ΜΗΧΑΝΗΜΑΤΟΣ

⚠️ ΠΡΟΕΙΔΟΠΟΙΗΣΗ: Ντύνεστε κατάλληλα για τη μείωση κινδύνου τραυματισμού κατά τη λειτουργία του θαμνοκοπτικού. Μη φοράτε φαρδιά ρούχα ή κοσμήματα. Φοράτε προστατευτικά γυαλιά και προστατευτικό αφιών/ακοής. Φοράτε μεγάλης αντοχής, μακριά παντελόνια, μπότες και γάντια. Μην φοράτε κοντά παντελόνια, σανδάλια και μην είστε ζυπόλυτοι.

Πριν από την εργασία κοιτάξτε γύρω σας και διασφαλίστε ότι ο χώρος εργασίας είναι ασφαλής, δεν υπάρχουν άλλα άτομα, ζώα ή οποιαδήποτε ελεύθερα κείμενα αντικείμενα. Εξασφαλίστε ότι αυτά βρίσκονται τουλάχιστον 15 μ. μακριά. Κατόπιν βεβαιωθείτε ότι φοράτε προστασία στα μάτια, κατάλληλο ρουχισμό και διατηρείτε την ισορροπία σας.

Πριν από κάθε χρήση ελέγχετε για εξαρτήματα με ζημιές/φθορές.

Ελέγχετε την κεφαλή χλοοκοπτικού, τη λεπίδα 3 οδοντώσεων, το προστατευτικό, το παρελκόμενο προστασίας, τη λαβή τύπου ποδηλάτου και τον διπλό ιμάντα πρόσδεσης ώμου και αντικαθιστάτε τα εξαρτήματα που έχουν ρωγμές, παραμόρφωση, λυγίσματα ή ζημιές οποιουδήποτε είδους. Η λεπίδα κοπής νήματος στο άκρο του παρελκόμενου προστασίας μπορεί να στομώσει με την πάροδο του χρόνου. Συστήνεται να την τροχίζετε ανά τακτά χρονικά διαστήματα με μια λίμα ή να την αντικαθιστάτε με νέα.

Μετά από κάθε χρήση, καθαρίζετε το θαμνοκοπτικό

ΧΡΗΣΗ ΜΕ ΤΗΝ ΚΕΦΑΛΗ ΧΟΡΤΟΚΟΠΤΙΚΟΥ

Ρύθμιση του μήκους νήματος κοπής

Η κεφαλή χλοοκοπτικού επιτρέπει στον χειριστή να αποδεσμεύσει περισσότερο νήμα κοπής χωρίς να σταματήσει το μοτέρ. Καθώς το νήμα ξεφτίζει ή φθείρεται, μπορεί να αποδεσμευτεί περισσότερο νήμα πατώντας ελαφρά το κουμπί πρόσκρουσης στο έδαφος ενώ λειτουργεί το χορτοκοπτικό (Εικ. V).

ΣΗΜΕΙΩΣΗ: Η αποδεσμευση νήματος θα είναι πιο δύσκολη εάν το νήμα κοπής γίνει πολύ κοντό.

⚠ ΠΡΟΕΙΔΟΠΟΙΗΣΗ: Μην απομακρύνετε ή τροποποιείτε τη μονάδα λεπίδας κοπής νήματος. Υπερβόλλων μήκος νήματος θα προκαλέσει υπερθέρμανση στο μοτέρ και μπορεί να προκύψει σοβαρός ατομικός τραυματισμός.

Αντικατάσταση νήματος

ΣΗΜΕΙΩΣΗ: Χρησιμοποιείτε πάντα το προτεινόμενο νάιλον νήμα κοπής με μια διάμετρο που δεν υπερβαίνει τα 2,4 χιλ. Η χρήση νήματος διαφορετικού από το καθορισμένο μπορεί να προκαλέσει υπερθέρμανση ή ζημιά στο θαμνοκοπτικό.

⚠ ΠΡΟΕΙΔΟΠΟΙΗΣΗ: Ποτέ μη χρησιμοποιείτε νήμα με μεταλλική ενίσχυση, σύρμα ή σχοινί κ.λπ. Αυτά μπορεί να σπάσουν και να εκτοξευθούν.

1. Αφαιρέστε τη συστοιχία μπαταριών.
2. Απομακρύνετε το υπόλοιπο νήμα κοπής, εφόσον απαιτείται.
3. Περιστρέψτε τον συγκρατητήρα καρουλιού στην κατεύθυνση που δείχνει το βέλος, όπως απαιτείται, για να ευθυγραμμίσετε τη γραμμή ΦΟΡΤΙΟΥ στον συγκρατητήρα καρουλιού με τα οφθαλμίδια στη βάση καρουλιού (Εικ. W-1).
4. Κόψτε 5 μ. νήματος κοπής και εισαγάγετε το νήμα μέσα στην οπή τοποθέτησης μέσα στο οφθαλμίδιο (Εικ. W-2). Ωθήστε και τραβήξτε το νήμα από την άλλη πλευρά, έως ότου εμφανιστεί ίσο μήκος νήματος και στις δύο πλευρές του καρουλιού (Εικ. W-3).
5. Πιέστε, ενώ περιστρέφετε τον συγκρατητήρα καρουλιού στην κατεύθυνση βέλους, για να τυλιχτεί το νήμα επάνω στο καρούλι, έως ότου περίπου 14 εκ. νήματος φαίνονται σε κάθε πλευρά (Εικ. W-4).
6. Ωθήστε τον συγκρατητήρα καρουλιού κάτω ενώ τραβάτε τα νήματα για να προωθήσετε χειροκίνητα το νήμα και για να ελέγξετε τη σωστή συναρμολόγηση της κεφαλής χλοοκοπτικού.

Όταν σπάσει το νήμα κοπής από την έξοδο νήματος ή το νήμα κοπής δεν αποδεσμευτεί όταν χτυπήσετε την κεφαλή χλοοκοπτικού, ακολουθήστε τα κατωτέρω βήματα:

1. Αφαιρέστε τη συστοιχία μπαταριών.
2. Πιέστε τις γλωτίδες αποδεσμευσης στον συγκρατητήρα καρουλιού και αφαιρέστε τον συγκρατητήρα καρουλιού τραβώντας τον ίσια προς τα έξω (Εικ. H-1 & H-2).
3. Αφαιρέστε το νήμα κοπής από τον συγκρατητήρα καρουλιού.
4. Κρατώντας με το ένα χέρι τη βάση καρουλιού, χρησιμοποιήστε το άλλο χέρι για να πιέσετε τον συγκρατητήρα καρουλιού και ευθυγραμμίστε τις γλωτίδες στον συγκρατητήρα καρουλιού με τις οπές στη βάση καρουλιού (Εικ. X-1). Χρησιμοποιήστε την παλάμη σας για να πιέσετε και περιστρέψετε τον συγκρατητήρα καρουλιού αριστερά και δεξιά, έως ότου οι γλωτίδες κουμπώσουν με τη βάση καρουλιού (Εικ. X-2).
5. Επαναφορτώστε το νήμα κοπής.

ΧΡΗΣΗ ΜΕ ΤΗ ΜΕΤΑΛΛΙΚΗ ΛΕΠΙΔΑ 3 ΟΔΟΝΤΩΣΕΩΝ

⚠ ΠΡΟΕΙΔΟΠΟΙΗΣΗ: Για την κοπή άγριας βλάστησης και θάμνων χαμηλώστε την περιστρεφόμενη λεπίδα 3 οδοντώσεων επάνω στη βλάστηση για να επιτύχετε το αποτέλεσμα κοπής. Χρησιμοποιήστε το θαμνοκοπτικό σαν δρεπάνι (σαρώνετε δεξιά και αριστερά) στο επίπεδο του εδάφους. Μη χρησιμοποιείτε τη μονάδα κοπής πάνω από το ύψος μέσης.

⚠ ΠΡΟΕΙΔΟΠΟΙΗΣΗ: Όσο πιο ψηλά είναι η μονάδα κοπής από το έδαφος, τόσο μεγαλύτερος είναι ο κίνδυνος τραυματισμού από κομμένα κομμάτια που πετιούνται στα πλάγια.

⚠ ΠΡΟΕΙΔΟΠΟΙΗΣΗ: Όταν κόβετε νέα βλάστηση ή άλλα ξύλινα υλικά διαμέτρου έως 2 εκ., χρησιμοποιείτε την αριστερή πλευρά της λεπίδας ώστε να αποφεύγετε καταστάσεις ανάκρουσης λεπίδας. Μην προσπαθείτε να κόβετε ξύλινα υλικά με μεγαλύτερη διάμετρο, καθώς η λεπίδα μπορεί να μαγκώσει ή το θαμνοκοπτικό μπορεί να πεταχτεί προς τα εμπρός. Αυτό μπορεί να προκαλέσει ζημιά στη λεπίδα ή το θαμνοκοπτικό ή απώλεια του ελέγχου θαμνοκοπτικού, με αποτέλεσμα ατομικό τραυματισμό.

⚠ ΠΡΟΕΙΔΟΠΟΙΗΣΗ: Ακατάλληλη χρήση μιας λεπίδας μπορεί να προκαλέσει ρωγμή, θρυμματισμό ή σπάσιμό της.

Αντικείμενα που πετάγονται μπορεί να προκαλέσουν σοβαρό τραυματισμό στο χειριστή ή παρευρισκόμενους. Για να μειώσετε τον κίνδυνο ατομικού τραυματισμού είναι σημαντικό να τηρείτε τα εξής προληπτικά μέτρα:

- Αποφεύγετε επαφή με σκληρά ή στερεά ξένα αντικείμενα όπως μικρές ή μεγάλες πέτρες ή μεταλλικά τεμάχια.
- Ποτέ μην κόβετε ξύλο ή θάμνους με μια διάμετρο στελέχους μεγαλύτερη από 2 εκ.
- Ελέγχετε τη λεπίδα ανά τακτά χρονικά διαστήματα για σημάδια ζημιάς. Μη συνεχίζετε την εργασία με φθαρμένη λεπίδα.
- Επανατροχίζετε τακτικά τη λεπίδα (όταν έχει στομώσει αισθητά) και εάν απαιτείται διεξάγετε ευθυγράμμισή της (η εργασία αυτή πρέπει να διεξάγεται από εξειδικευμένο τεχνικό του σέρβις).

Ανάκρουση Λεπίδας

Να είστε ιδιαίτερα προσεκτικοί όταν χρησιμοποιείτε τη λεπίδα 3 οδοντώσεων με αυτή τη μονάδα. Η ανάκρουση λεπίδας είναι η αντίδραση που μπορεί να προκύψει όταν η περιστρεφόμενη λεπίδα έρθει σε επαφή με οτιδήποτε δεν μπορεί να κόψει. Αυτή η επαφή μπορεί να κάνει τη λεπίδα να σταματήσει για λίγο και η μονάδα μπορεί ξαφνικά να ωθηθεί μακριά από το αντικείμενο που χτυπήθηκε. Η αντίδραση μπορεί να είναι τόσο βίαιη ώστε να κάνει το χειριστή να χάσει τον έλεγχο της μονάδας. Η ανάκρουση του δίσκου κοπής μπορεί να συμβεί απροειδοποίητα, αν το μηχανήμα πάθει εμπλοκή, σβήσει ή κολλήσει. Αυτό είναι πιθανότερο να συμβεί σε περιοχές όπου δεν διακρίνεται καλά το υλικό που κόβει το μηχανήμα. Για την ευκολία και ασφάλεια κατά τις κοπές, προσεγγίζετε τα αγριόχορτα που θα κοπούν με το θαμνοκοπτικό από τα δεξιά προς τα αριστερά. Στην περίπτωση που συναντήσετε απρόσμενα κάποιο αντικείμενο ή ξύλινο βλαστό, με αυτή την τακτική μπορεί να ελαχιστοποιηθεί η αντίδραση ανάκρουσης λεπίδας.

ΣΥΝΤΗΡΗΣΗ

GR

▲ ΠΡΟΕΙΔΟΠΟΙΗΣΗ: Πριν τον έλεγχο, τον καθαρισμό ή τη συντήρηση της μονάδας, σταματήστε το μοτέρ, περιμένετε να σταματήσουν όλα τα κινούμενα εξαρτήματα και απομακρύνετε τη συστοιχία μπαταριών. Η μη τήρηση των οδηγιών μπορεί να οδηγήσει σε σοβαρό τραυματισμό ή υλικές ζημιές.

▲ ΠΡΟΕΙΔΟΠΟΙΗΣΗ: Όταν κάνετε συντήρηση του εργαλείου, χρησιμοποιείτε μόνο ίδια ανταλλακτικά. Η χρήση οποιωνδήποτε άλλων εξαρτημάτων μπορεί να προκαλέσει κίνδυνο ή υλικές ζημιές. Για να διασφαλίσετε την ασφάλεια και την αξιοπιστία, όλες οι επισκευές πρέπει να διεξάγονται από εξειδικευμένο τεχνικό του σέρβις.

ΓΕΝΙΚΗ ΣΥΝΤΗΡΗΣΗ

Αποφύγετε τη χρήση διαλυτών κατά τον καθαρισμό των πλαστικών εξαρτημάτων. Τα περισσότερα πλαστικά είναι ευπαθή στη χρήση διαφόρων τύπων διαλυτών του εμπορίου και καταστρέφονται από τη χρήση τους. Χρησιμοποιείτε καθαρά πανιά για την απομάκρυνση βρωμιών, σκόνης, λαδιού, γράσου κλπ.

ΚΑΘΑΡΙΣΜΟΣ ΤΟΥ ΜΗΧΑΝΗΜΑΤΟΣ

- Μετά από κάθε χρήση της λεπίδας 3 οδοντώσεων/ κεφαλής χορτοκοπτικού, καθαρίζετε τα υπολείμματα, χώμα που έχει μπλοκάρει ή γρασιδί στη λεπίδα και το προστατευτικό χρησιμοποιώντας μια μαλακή βούρτσα.

ΣΗΜΕΙΩΣΗ: Όταν το νήμα/η λεπίδα κοπής είναι στομωμένα, αναθέστε το τρόχισμα σε έναν εξειδικευμένο τεχνικό του σέρβις ή αντικαταστήστε με νέο νήμα/μια νέα λεπίδα κοπής εφόσον απαιτείται.

- Μετά από κάθε χρήση του θαμνοκοπτικού καθαρίζετε τη μονάδα κοπής χρησιμοποιώντας ένα νωπό πανί με ήπιο απορρυπαντικό.
- Μη χρησιμοποιήσετε κανένα δραστικό απορρυπαντικό πάνω στο πλαστικό περίβλημα ή τη λαβή. Αυτά μπορούν να καταστραφούν από ορισμένα αρωματικά έλαια, όπως πεύκο και λεμόνι, καθώς και από διαλύτες, όπως η κηροζίνη. Η υγρασία μπορεί επίσης να προκαλέσει κίνδυνο ηλεκτροπληξίας. Σκουπίζετε ενδεχόμενη υγρασία με ένα μαλακό στεγνό πανί.
- Χρησιμοποιείτε μια μικρή βούρτσα ή μια μικρή ηλεκτρική αναρροφητική σκούπα για να καθαρίζετε τις οπές αερισμού στο πίσω περίβλημα.

ΑΠΟΘΗΚΕΥΣΗ ΤΟΥ ΜΗΧΑΝΗΜΑΤΟΣ

- Απομακρύνετε τη συστοιχία μπαταριών από το εργαλείο.
- Φοράτε ανθεκτικά γάντια για να καθαρίζετε το εργαλείο σχολαστικά.
- Τοποθετείτε τη θήκη λεπίδας επάνω στη λεπίδα 3 οδοντώσεων για μια ασφαλή αποθήκευση (Εικ. Υ).
- Αποθηκεύετε τη μονάδα σε έναν στεγνό, καλά αεριζόμενο χώρο, κλειδωμένο ή σε ψηλό σημείο, εκτός εμβέλειας παιδιών. Μην αποθηκεύετε το μηχανήμα επάνω ή δίπλα σε λιπάσματα, βενζίνη ή άλλες χημικές ουσίες.

Προστασία του περιβάλλοντος



Μην απορρίπτετε τους ηλεκτρικούς εξοπλισμούς, το φορτιστή μπαταρίας και τις μπαταρίες/επαναφορτιζόμενες μπαταρίες στα οικιακά απορρίμματα!

Σύμφωνα με τον Ευρωπαϊκό νόμο 2012/19/ΕΕ, οι ηλεκτρικοί και οι ηλεκτρονικοί εξοπλισμοί που δεν χρησιμοποιούνται πλέον και σύμφωνα με τον Ευρωπαϊκό νόμο 2006/66/ΕΚ, οι ελαττωματικές ή χρησιμοποιημένες συστοιχίες μπαταριών/μπαταρίες πρέπει να συλλέγονται ξεχωριστά.

Εάν οι ηλεκτρικές συσκευές απορριφθούν στο ύπαιθρο ή σε χωματερές, τότε είναι πιθανό να διαρρέυσουν επικίνδυνες ουσίες στα υπόγεια ύδατα, με αποτέλεσμα να περάσουν στην τροφική αλυσίδα, προκαλώντας ζημιές στην υγεία και την φυσική σας κατάσταση.

ΔΗΛΩΣΗ ΣΥΜΜΟΡΦΩΣΗΣ ΕΚ

Εμείς η EGO EUROPE LTD.

Wahlwiesenstrasse 1, D-71711 Steinheim an der Murr
Deutschland

Δηλώνουμε ότι το προϊόν **ΘΑΜΝΟΚΟΠΤΙΚΟ BC3800E, 56 VOLT ΛΙΘΙΟΥ - ΙΟΝΤΩΝ, ΟΠΙΣΘΙΟΥ ΚΙΝΗΤΗΡΑ, ΜΕ ΛΑΒΗ ΤΥΠΟΥ ΠΟΔΗΛΑΤΟΥ** συμμορφώνεται με τις βασικές απαιτήσεις υγείας και ασφάλειας των ακόλουθων οδηγιών:

2006/42/EC, 2014/30/EU, 2011/65/EU, 2000/14/EC

Πρότυπα και τεχνικές προδιαγραφές στα οποία γίνεται αναφορά:

EN ISO 11806-1, EN 60745-1, EN 55014-1, EN 55014-2, IEC 62321.

| | Κεφαλή κοπής | Μεταλλική λεπίδα 3 οδοντώσεων |
|-----------------------------------|--------------|-------------------------------------|
| Μετρημένη στάθμη ισχύος ήχου: | 94,80 dB(A) | 94,04 dB(A) |
| Εγγυημένη στάθμη ηχητικής ισχύος: | 96 dB(A) | 96 dB(A) |

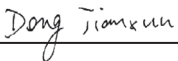
Η διαδικασία αξιολόγησης συμμόρφωσης Παραρτήματος VI διεξάγεται σύμφωνα με τη διάταξη 2000/14/EC.

Φορέας κοινοποίησης: DEKRA Certification B.V. Meander
1051 / P.O. box 5185 6525 MJ ARNHEM / 6802 ED
ARNHEM, Netherlands

Αριθμός φορέα κοινοποίησης: 0344



Peter Melrose
Διευθύνων Σύμβουλος της
EGO Europe GmbH



Dong Jianxun
Διευθυντής ποιότητας της
Chervon

* (Εξουσιοδοτημένος εκπρόσωπος της CHERVON και υπεύθυνος για την τεχνική τεκμηρίωση)

01/09/2017

GR

ΑΝΤΙΜΕΤΩΠΙΣΗ ΠΡΟΒΛΗΜΑΤΩΝ

| ΠΡΟΒΛΗΜΑ | ΑΙΤΙΑ | ΕΠΙΛΥΣΗ |
|----------------------|---|---|
| Αποτυχία εκκίνησης. | <ul style="list-style-type: none"> ■ Η συστοιχία μπαταριών δεν έχει προσαρτηθεί στο θαμνοκοπτικό. ■ Δεν υπάρχει ηλεκτρική επαφή μεταξύ του θαμνοκοπτικού και της συστοιχίας μπαταριών. ■ Η συστοιχία μπαταριών έχει εξαντληθεί. ■ Ο μοχλός ασφάλισης και η σκανδάλη δεν πατήθηκαν ταυτόχρονα. | <ul style="list-style-type: none"> ■ Τοποθετήστε τη συστοιχία μπαταριών στην ηλεκτρική κεφαλή. ■ Απομακρύνετε τη μπαταρία, ελέγξτε τις επαφές και επανεγκαταστήστε τη συστοιχία μπαταριών, έως ότου κουμπώσει στη θέση της. ■ Φορτίζετε τη συστοιχία μπαταριών με τους φορτιστές EGO που παρατίθενται στο παρόν εγχειρίδιο. ■ Πατήστε κάτω το μοχλό ασφάλισης και κρατήστε τον, κατόπιν πιέστε τη σκανδάλη για να ενεργοποιήσετε το θαμνοκοπτικό. |
| Διακοπή λειτουργίας. | <ul style="list-style-type: none"> ■ Το μοτέρ έχει υπερφορτωθεί. ■ Χρησιμοποιείται βαριά γραμμή κοπής. ■ Η συστοιχία μπαταριών ή το θαμνοκοπτικό είναι πολύ καυτά. ■ Η συστοιχία μπαταριών έχει αποσυνδεθεί από το εργαλείο. ■ Η συστοιχία μπαταριών έχει εξαντληθεί. | <ul style="list-style-type: none"> ■ Το μοτέρ θα επανέλθει όταν αφαιρεθεί το φορτίο. Για συνεχή εργασία, μειώστε το φορτίο της ηλεκτρικής κεφαλής. ■ Χρησιμοποιείτε το στάνταρ νάιλον νήμα κοπής με διάμετρο όχι μεγαλύτερη από 2,4 χιλ. ■ Επιτρέψτε η συστοιχία μπαταριών ή η ηλεκτρική κεφαλή να κρυώνουν, έως ότου η θερμοκρασία πέσει κάτω από τους 67°C. ■ Επαναγκαταστήστε τη συστοιχία μπαταριών. ■ Φορτίζετε τη συστοιχία μπαταριών με τους φορτιστές EGO που παρατίθενται στο παρόν εγχειρίδιο. |

| ΠΡΟΒΛΗΜΑ | ΑΙΤΙΑ | ΕΠΙΛΥΣΗ |
|---|--|--|
| <p>Η κεφαλή χορτοκοπτικού δεν προωθεί νήμα (μόνο σε χρήση με κεφαλή χορτοκοπτικού).</p> | <ul style="list-style-type: none"> ■ Ο άξονας μοτέρ ή η κεφαλή χορτοκοπτικού έχουν μπλοκαριστεί με γρασίδι. ■ Δεν υπάρχει επαρκές νήμα στο καρούλι. ■ Η κεφαλή χορτοκοπτικού είναι βρώμικη. ■ Το νήμα έχει μπλοκάρει στο καρούλι. ■ Το νήμα είναι πολύ κοντό. | <ul style="list-style-type: none"> ■ Σταματήστε το μηχάνημα, απομακρύνετε τη μπαταρία και αφαιρέστε το γρασίδι από τον άξονα μοτέρ και την κεφαλή χορτοκοπτικού. ■ Απομακρύνετε τη μπαταρία και αντικαταστήστε το νήμα κοπής. Ακολουθήστε το απόσπασμα «ΑΝΤΙΚΑΤΑΣΤΑΣΗ ΝΗΜΑΤΟΣ» στο παρόν εγχειρίδιο. ■ Απομακρύνετε τη μπαταρία και καθαρίστε το καρούλι, το συγκρατητήρα καρουλιού και τη βάση καρουλιού. ■ Απομακρύνετε τη μπαταρία, αφαιρέστε το νήμα από το καρούλι και ξανατυλίξτε. Ακολουθήστε το απόσπασμα «ΑΝΤΙΚΑΤΑΣΤΑΣΗ ΝΗΜΑΤΟΣ» στο παρόν εγχειρίδιο. ■ Απομακρύνετε τη μπαταρία και τραβήξτε το νήμα ενώ πατάτε κάτω και αποδεσμεύετε διαδοχικά το κουμπί πρόσκρουσης. |

ΕΓΓΥΗΣΗ

ΠΟΛΙΤΙΚΗ ΕΓΓΥΗΣΗΣ EGO

Επισκεφθείτε την ιστοσελίδα egopowerplus.com για όλους τους όρους και τις προϋποθέσεις της πολιτικής εγγύησης EGO.

TÜM TALIMATLARI OKUYUN!



Kullanım Kılavuzunu Okuyun

▲ Artık risk! Kalp pili gibi elektronik cihaz kullanan kişiler bu ürünü kullanmadan önce hekimlerine danışmalıdır. Elektrikli cihazların, kalp pili yakınında çalıştırılması kalp pilinde parazite veya arızaya neden olabilir.

▲ UYARI: Güvenliği ve güvenilirliği sağlamak için, tüm onarım işlemleri yetkili bir servis teknisyeni tarafından gerçekleştirilmelidir.

GÜVENLİK SEMBOLLERİ

Güvenlik sembollerinin amacı olası tehnelere dikkatinizi çekmektir. Güvenlik sembolleri ve yanlarındaki açıklamalar özel dikkat ve anlayış göstermenizi gerektirir. Uyarı sembolleri kendi başlarına herhangi bir tehlikeyi gidemez. Sundukları talimat ve uyarılar uygun kaza önleme önlemlerinin yerine geçmez.

▲ UYARI: Bu aleti kullanmadan önce "TEHLİKE," "UYARI" ve "DİKKAT" gibi tüm güvenlik uyarı sembollerini içeren bu Kullanım Kılavuzu içindeki tüm güvenlik talimatlarını okuyup anladığınızdan emin olun. Aşağıdaki talimatların tamamına uyulmaması elektrik çarpması, yangın ve/veya ciddi kişisel yaralanma ile sonuçlanabilir.

SEMBOLÜN ANLAMI

▲ GÜVENLİK UYARI SEMBOLÜ: TEHLİKE, UYARI veya DİKKAT sembolünün diğer semboller veya resimlerle birlikte kullanılabileceğini gösterir.



▲ UYARI: Her türlü elektrikli aletin kullanımı yabancı cisimlerin gözlerinize fırlatılması sonucunu doğurabilir. Bu da gözlerde ciddi hasara yol açabilir. Elektrikli aleti kullanmaya başlamadan önce, daima göz koruması veya yan siperleri olan koruyucu gözlük takın ve gerektiğinde tam yüz siperi kullanın. Gözlük üzerine kullanım için Wide Vision Koruyucu Maske ya da yan siperleri olan standart koruyucu gözlükleri tavsiye ederiz.

TR

GÜVENLİK TALIMATLARI

Bu sayfada, bu ürün üzerinde görülebilecek güvenlik sembolleri gösterilmekte ve açıklanmaktadır. Makineyi monte etmeye ve kullanmaya başlamadan önce, makineye ilişkin tüm talimatları okuyup anlayın ve bu talimatlara uyun.

| | | |
|--|---|---|
| | Güvenlik Uyarısı | Potansiyel bir kişisel yaralanma tehlikesini gösterir. |
| | Kullanım Kılavuzunu Okuyun | Yaralanma riskini azaltmak için, kullanıcı bu ürünü kullanmadan önce kullanım kılavuzunu okuyup anlamalıdır. |
| | Koruyucu Gözlük Takın | Bu ürünü çalıştırırken daima göz koruması ya da yan siperleri olan koruyucu gözlük ve tam yüz maskesi kullanın. |
| | Kulak Koruması Takın | Kulaklarınızı korumak için daima kulak koruyucu (kulak tıkacı veya kulaklık) kullanın. |
| | Koruyucu Kask Takın | Başınızı korumak için onaylı bir güvenlik kaskı takın. |
| | Koruyucu Eldiven Takın | Bıçak veya bıçak muhafazasını tutarken eldiven takarak ellerinizi koruyun. Dayanıklı ve kaymaz eldivenler daha iyi bir tutuş sağlarken ellerinizi de korur. |
| | Koruyucu Ayakkabı Giyin | Bu cihazı kullanırken kaymaz koruyucu ayakkabılar giyin. |
| | Bıçağın kuvvetle itilmesine karşı dikkatli olun | Operatörü bıçağın kuvvetle itilme tehlikesine karşı uyarın. |
| | Sekmelere Karşı Üçüncü Şahısları Uzak Tutun | Fırlayan cisimler sekebilir ve kişisel yaralanma veya mal hasarına yol açabilir. Çalı kesici kullanılırken üçüncü şahısların ve evcil hayvanların cihazdan uzakta durduklarından emin olun. |
| | Üçüncü Şahısları Uzak Tutun | Kesim makinesi kullanılırken üçüncü şahısların ve evcil hayvanların en az 15m uzakta olduklarından emin olun. |
| | Yuvarlak bıçak kullanılamaz | Yuvarlak kesim bıçağı takmayın. |

| | | |
|----------|--------------------------|---|
| | Yağmura maruz bırakmayın | Bu ürünü yağmur altında kullanmayın veya yağmur yağarken dışarıda bırakmayın. |
| | CE | Bu ürün, yürürlükteki AB yönetmeliklerine uygundur. |
| | WEEE | Atık elektrikli ürünler, evsel atıklar ile birlikte imha edilmelidir. Atık ürünler yetkili bir geri dönüşüm merkezine teslim edilmelidir. |
| | Gürültü | Garanti edilen ses gücü seviyesi. Avrupa Birliği Yönetmeliği'ne göre çevre gürültü emisyonu. |
| V | Volt | Voltaj |
| | Doğru Akım | Akım türü ve özelliği |
| n_0 | Yüksüz Hız | Yüksüz dönüş hızı |
| ... /min | Dakika Başına | Dakika başına dönüş |

ÖNEMLİ GÜVENLİK TALİMATLARI

⚠ UYARI! Bu ürünü kullanırken yangın, elektrik çarpması ve kişisel yaralanma riskini azaltmak için aşağıdakiler de dahil olmak üzere temel güvenlik önlemlerine daima uyulmalıdır:

KULLANMADAN ÖNCE DİKKATLİCE OKUYUN GELECEKTE BAŞVURU AMACIYLA SAKLAYIN

⚠ TEHLİKE! Elektrik çarpmasına karşı aletin yalıtımına güvenmeyin. Elektrik çarpması riskini azaltmak için, makineyi asla akım taşıyabilecek kabloların (elektrik kablosu, vb.) yakınında kullanmayın.

⚠ DİKKAT! Cihazı çalıştırırken uygun kişisel kulak koruması kullanın. Bazı koşullar altında ve kullanım sürelerinde, bu üründen çıkan ses işitme kaybına yol açabilir.

EĞİTİM

- Talimatları dikkatlice okuyun. Cihazın kumandalarını ve uygun kullanım şeklini öğrenin.
- Asla bu talimatları bilmeyen kişilerin veya çocukların ürünü kullanmasına izin vermeyin. Yerel yönetmelikler kullanıcıya yaşına sınırlama getirebilir.

- Operatör veya kullanıcının, diğer kişilerin veya eşyalarının başına gelebilecek kaza veya hasarlardan sorumlu olduğunu unutmayın.

HAZIRLIK

- Ürünü asla yakınızdaki başkaları, özellikle de çocuklar veya evcil hayvanlar varken kullanmayın.
- Ürünü kullanırken her zaman göz koruması kullanın ve sağlam ayakkabılar giyin.
- Makine ile çevredeki insanlar arasında en az 15 m mesafe olmalıdır.

ÇALIŞTIRMA

- Çalı tırpanını sadece gün ışığında veya iyi bir aydınlatma altında kullanın.
- Çalı tırpanını asla hasarlı muhafazalar / koruyucular ile ya da muhafazalar / koruyucular takılı değilken çalıştırmayın.
- Motoru sadece el ve ayaklar kesim araçlarından uzakta iken çalıştırın.
- Aşağıdaki durumlarda daima çalı tırpanının güç beslemesini kesin (örn. pil takımını çıkarın):
 - çalı tırpanını gözetimsiz bıraktığınızda;
 - bir tıkanıklığı gidermeden önce;
 - çalı tırpanını kontrol etmeden, temizlemeden veya üzerinde bir çalışma gerçekleştirmeden önce;
 - yabancı bir cisme çarptıktan sonra;
 - çalı tırpanı anormal bir sarsıntı gösterdiğinde.
- Yaralanmamak için ellerinizi ve ayaklarınızı kesim parçalarından uzak tutun.
- Havalandırma deliklerinde artık (çalı-çırpı) olmadığından emin olun.

BAKIM VE SAKLAMA

- Bakım veya temizlik işlemlerini gerçekleştirmeden önce, çalı tırpanının güç beslemesini kesin (örn. pil takımını çıkarın).
- Sadece üretici tarafından önerilen yedek parça ve aksesuarları kullanın.
- Çalı tırpanını düzenli olarak kontrol edin ve bakımını yapın. Makinenin sadece yetkili bir uzman tarafından onarılmasını sağlayın.
- Kullanmadığınız zaman, çalı tırpanını çocukların ulaşamayacağı bir yerde saklayın.

DIĞER GÜVENLİK UYARILARI

- **Çocukları uzak tutun** - Tüm ziyaretçiler çalışma alanından en az 15 metre mesafede tutulmalıdır.

- **Tehlikeli ortamlardan uzak durun** - Cihazı rutubetli veya ıslak ortamlarda kullanmayın.
- **Çalı kesiciyi gözetimsiz bıraktığınızda daima gücünü kapatın veya pil paketini çıkarın.**
- **Yağmur altında kullanmayın.**
- **Uygun şekilde giyinin** - Bol giysiler, kısa pantolon, sandalet giymeyin, takı takmayın veya çıplak ayakla çalışmayın. Bunlar hareketli parçalara takılabilir. Her zaman dayanıklı uzun pantolon ve uzun kollu kıyafetler giyin. Açık havada çalışırken lastik eldiven ve sağlam ayakkabı giyilmesi önerilir. Uzun saçları toplamak için koruyucu baş örtüsü kullanın ve uzun saçları omuz hizasının üzerinde toplayın.
- **Koruyucu gözlük kullanın** - Çalışma ortamı tozluysa, mutlaka yüz veya toz maskesi takın.
- **Doğru aleti kullanın** - Aleti kullanım amacı dışında herhangi bir amaçla kullanmayın.
- **Çalı kesiciyi zorlamayın** - Makine, tasarlanan çalışma hızında çalıştırıldığında işini daha iyi ve daha az yaralanma riski ile yapacaktır.
- **Dengesiz bir duruşla çalışma yapmayın** - Çalışma süresince ayaklarınızı sağlam basın ve dengeyi koruyun.
- **Daima tetikte olun** - Ne yaptığınızda dikkat edin. Sađduyulu olun. Çalı tirpanını yorgunken kullanmayın.
- **Çalı tirpanını alkol veya uyuşturucu etkisi altındayken çalıştırmayın.**
- **Koruyucu donanımı yerinde ve çalışır durumda tutun.**
- **Ellerinizi ve ayaklarınızı kesim alanından uzak tutun.**
- **Çalı kesiciyi kapalı alanda saklayın** - Kullanılmadığında çalı tirpanı, pil paketi çıkarılmış olarak, çocukların erişemeyeceđi, kuru ve yüksek bir yerde ya da kilitle olan kapalı bir alanda saklanmalıdır.
- **Çalı kesici bakımını dikkatle yapın** - En iyi performansı elde etmek ve yaralanma riskini azaltmak için kesim aksesuarlarını temiz tutun. Aksesuar deđişimi için verilen talimatlara uyun. Tutma saplarını kuru, temiz, benzin ve yağdan uzak tutun.
- **Hasarlı parçaları kontrol edin** - Çalı tirpanını tekrar kullanmadan önce, hasarlı bir koruyucu donanım ya da diđer herhangi bir parça, uygun biçimde çalışıp çalışmayacağı ve amaçlanan işlevini yerine getirip getirmeyeceđi belirlenmek üzere dikkatle kontrol edilmelidir. Hareketli parçaların hizalamasını, bağlantılarını, parçalarda kırık olup olmadığını, montajını ve çalışmayı etkileyebilecek diđer tüm koşulları kontrol edin. Hasarlı bir koruyucu donanım ya da diđer herhangi bir parça bu kullanım kılavuzunda başka türlü belirtilmemişse, yetkili bir Servis Merkezi tarafından uygun şekilde onarılmalı veya deđiştirilmelidir.
- **Tüm bağlantı parçalarının sıkı bir şekilde takılı olduğundan emin olun. Kesim aksesuarı korumasının uygun şekilde ve üretici tarafından önerilen konumda takıldığından emin olun.**
- **Her kullanımdan önce kesilecek alanı temizleyin.** Kesim aksesuarına takılabilecek veya kesim sırasında fırlatılabilecek taş, kırık cam, çivi, tel veya sicim vb. tüm nesnelere kaldırın. Çocukları, üçüncü şahısları ve evcil hayvanları çalışma alanından uzak tutun. Çocukları, üçüncü şahısları ve evcil hayvanları çalışma alanından en az 15 metre (50 ft) uzak tutun. Fırlayan nesnelere bu mesafeye rağmen yaralanmaya neden olabilir. Üçüncü şahısların göz koruması kullanmalarını önerilir.
- **Çalı tirpanını kullanmadan önce ve herhangi bir darbe sonrasında, aşınma ya da hasar belirtisi olup olmadığını kontrol edin ve gerekirse onarın.**
- **Çalı tirpanını çalıştırırken daima tutma saplarından her iki elinizle sıkıca tutun. Parmaklarınızı tutma saplarının çevresine sıkıca sarın.**
- **Yanlışlıkla çalıştırmaktan kaçının** - Çalı tirpanını parmağınız tetik üzerindeyken taşımayın.
- **Çalı tirpanını benzin içeren veya patlayıcı ortamlarda çalıştırmayın.** Bu tür cihazların motoru kıvılcım çıkarabilir ve kıvılcımlar gazları tutuşturabilir.
- **Çalı tirpanında hasar** - Makineyi bir yabancı nesneye çarparsanız veya yabancı bir nesne makineye takılırsa, aleti derhal durdurun, pil paketini çıkarın, hasar olup olmadığını kontrol edin ve herhangi bir hasar varsa yeniden çalıştırmadan önce onarılmasını sağlayın. Cihazı kırık bir koruyucu donanım veya bıçakla çalıştırmayın.
- **Cihaz anormal şekilde titreyme başlarsa motoru durdurun, pil paketini çalı tirpanından çıkarın ve derhal titreşimin nedenini araştırın.** Titreşim genellikle bir sorun olduğunu gösterir. Gevşek bir bıçak titreşim yapabilir, çatlayabilir, kırılabilir veya makineden çıkarak ciddi veya ölümcül yaralanmalara neden olabilir. Kesim bıçağının doğru ve sıkı bir şekilde takıldığından emin olun. Bıçak yerine takıldıktan sonra gevşiyorsa, derhal deđiştirin. Çalı tirpanını asla gevşek bir kesim aksesuarıyla kullanmayın.
- **Hasarlı yüzeydeki çatlaklarla sınırlı olsa dahi çatlamış, hasarlı veya aşınmış bir kesim ünitesini derhal deđiştirin.** Bu tür parçalar yüksek hızda parçalanabilir ve ciddi veya ölümcül yaralanmalara neden olabilir.
- **Yaralanma riskini azaltmak için, asla merdiven üzerinde ya da diđer herhangi bir güvenli olmayan destek üzerinde çalışmayın. Asla kesim ünitesini bel yüksekliğinin üzerinde tutmayın.**

- **Naylon kesim misinaları yerine asla başka kesici parçalar kullanmayın. Tel parçaları kopabilir ve kullanıcıya ya da çevredeki insanlara doğru fırlayabilir.**
- **Ayaklarınızı sağlam basın ve dengeyi koruyun.** Dengesiz bir duruşta çalışma yapmayın. Kesim ünitesini bel seviyesinin altında tutun. Tüm vücut azalarınızı dönmekte olan kesim ünitesinden uzak tutun.
- **Çalışma sırasında kesim ünitesini kısa aralıklarla düzenli olarak veya kesim işlevinde gözle görülür bir değişim varsa derhal kontrol edin.**
- **Sadece bu çalı tırpanı ile kullanım için tasarlanmış olan, EGO onaylı polimer kesici misina ve bıçak aksesuarlarını kullanın. Onaylı olmayan bazı kesim üniteleri son derece tehlikeli olabilir ve/veya alete zarar verebilir.**
- **Çalışırken yanınıza yaklaşan kimselerin olması durumunda, motoru ve kesim ünitesini durdurun.**
- **Operatörü bıçağın kuvvetle itilme tehlikesine karşı uyarın (sadece 3 dişli bıçak ile kullanımda).**
 - Bıçağın kuvvetle itilmesi, döner bıçağın hemen kesmediği bir nesneyle temas etmesi durumunda meydana gelebilir.
 - Bıçağın kuvvetle itilmesi, cihazın ve/veya operatörün herhangi bir yönde itilerek cihaz kontrolünün kaybedilebileceği şiddette olabilir.
 - Bıçak takılır, durur veya dönmese engellenirse uyarı olmaksızın bıçak kuvvetle itilebilir.
 - Bıçağın kuvvetle itilmesi olayı, kesilen malzemeyi gömenin zor olduğu bölgelerde daha çok meydana gelebilir.
- **Gerekli tüm parçaları düzgün bir şekilde monte etmeden makineye herhangi bir bıçak takmayın. Uygun parçaların kullanılmaması, bıçağın çıkararak fırlamasına ve kullanıcı ve/veya üçüncü şahısların ciddi şekilde yaralanmasına neden olabilir. Kıvrılmış, bükülmüş, çatlamış, kırılmış veya herhangi bir şekilde hasar görmüş bıçakları atın. Keskin bir bıçak kullanın. Kör bir bıçağın takılıp kuvvetle itilme olasılığı daha fazladır (sadece 3 dişli bıçak ile kullanımda).**
- **Pil paketi güvenli bir şekilde imha edilmelidir.**
- **Boşta dönen bir bıçak/misina, motor durdurulduktan veya tetik bırakıldıktan sonra da dönmeye devam ettiğinden yaralanmalara neden olabilir. Bıçak/misina tamamen duruncaya kadar cihazın kontrolünü bırakmayın.**
- **Pil paketini yağmurlu veya ıslak ortamlarda şarj etmeyin.**

- Sadece aşağıda listelenen EGO pil paketlerini ve şarj cihazlarını kullanın:

| PİL PAKETİ | ŞARJ CİHAZI |
|---|--------------------|
| BA1120E, BA1400, BA2240E, BA2800, BA3360, BA4200, BAX1300 | CH2100E CH5500E |

- **Pil paketi atılmadan önce cihazdan çıkarılmalıdır.**
- **Pili ateşe atarak imha etmeyin.** Pil hücreleri patlayabilir. Olası özel imha talimatları için yerel yönetmeliklere bakın.
- **Pil paketinin içini açmayın veya pil paketini tahrip etmeyin.** Açığa çıkan elektrolit aşındırıcıdır ve gözlerin veya cildin zarar görmesine neden olabilir. Yutulması halinde zehirli olabilir.
- **Yüzük, bilezik ve anahtar gibi malzemelerle pil paketine kısa devre yaptırmamak için, pilleri tutarken dikkatli olun.** Pil veya iletken aşırı ısınabilir ve yanıklara neden olabilir.
- **Yedek parçalar -** Bakım ve onarım sırasında sadece orijinal EGO yedek parçalarını kullanın. Diğer parça veya aksesuarların kullanılması yaralanma riskini artırabilir.
- **Pille çalışan aletlerin elektrik prizine takılmalarına gerek yoktur; bu nedenle bu tür aletler daima çalışmaya hazır durumdadır.** Alet kullanılmadığı zaman dahi oluşabilecek muhtemel tehlikelere karşı dikkatli olun. Bakım veya onarım işlemleri sırasında dikkatli olun.
- **Servis, temizlik veya çalı tırpanındaki malzemeleri çıkarmadan önce pil takımını çıkarın veya bağlantısını kesin.**
- **Hortumla yıkamayın; motor ve elektrik bağlantılarında su kaçırılmaya dikkat edin.**
- **Bu kılavuzda yer almayan durumlar meydana gelirse, dikkatli ve sağduyulu davranın. Yardım için EGO Müşteri Hizmetleri Merkeziyle irtibata geçin.**

BU TALİMATLARI SAKLAYIN!

TEKNİK ÖZELLİKLER

| | | | |
|---|--|--|---|
| Kesici ünite | Kesim başlığı | 3-dişli metal bıçak | |
| Voltaj | 56 V  | 56 V  | |
| Yüksüz (boşta) hız | 4500-6000 /min | 4500-6000 /min | |
| Kesim Misinası Türü | 2,4mm naylon bükülü misina | / | |
| Kesim bıçağı | / | ABB1203 | |
| Kesim Genişliği | 38 cm | 30 cm | |
| Ağırlık (Aküsüz) | 4,35 kg | 4,64 kg | |
| Ölçülen ses güç düzeyi L_{WA} | 94,80 dB(A); K=1,01 dB(A) | 94,04 dB(A); K=1,71 dB(A) | |
| Operatör konumundaki ses güç düzeyi L_{PA} | 80,2 dB(A); K=2,5 dB(A) | 80,0 dB(A); K=4,1 dB(A) | |
| Garanti edilen ses güç düzeyi L_{WA} (2000/14/EC uyarınca ölçülmüş) | 96 dB(A) | 96 dB(A) | |
| Titreşim değeri $a_{h,v}$: | Sol tutma sapı | 2,28 m/s ² ; K=1,5 m/s ² | 1,55 m/s ² ; K=1,5 m/s ² |
| | Sağ tutma sapı | 2,38 m/s ² ; K=1,5 m/s ² | 1,88 m/s ² ; K=1,5 m/s ² |

- Bildirilen toplam titreşim değeri standart test yöntemine uygun olarak ölçülmüştür ve bir cihazı diğer bir cihaz ile karşılaştırmak için kullanılabilir.
- Bildirilen toplam titreşim değeri ayrıca ön maruz kalma değerlendirmesinde de kullanılabilir.

UYARI: Elektrikli aletin gerçek kullanımı sırasında meydana gelen titreşim emisyonu aletin kullanım şekline bağlı olarak bildirilen değerden farklı olabilir; Operatörü korumak için, kullanıcı gerçek kullanım koşullarında eldiven ve kulak koruması takmalıdır.

AMBALAJ LİSTESİ

| PARÇAADI | MİKTAR |
|-------------------------|--------|
| Çalı Tırpanı | 1 |
| 3-dişli bıçak ve kılıfı | 1 |
| Koruyucu Donanım | 1 |
| Somun | 1 |
| Dış Flanş | 1 |
| Alyen Anahtar | 1 |
| Çok İşlevli Anahtar | 1 |
| Çift Omuz Askısı | 1 |
| Kullanma Kılavuzu | 1 |

AÇIKLAMA

ÇALI TIRPANINIZI TANIYIN (Şek. A)

1. Hız Sınırlandırma Kolu
2. Kilitleme Kolu
3. Kelebek Civata
4. Tetikleyici
5. Bisiklet Tipi Tutma Kolu
6. Mil
7. Kesim Misinası
8. Koruyucu Donanım
9. Kesim Başlığı
10. Conta Vidası
11. Mil kilitleme deliği
12. Koruma Aksesuarı
13. Çok İşlevli Anahtar
14. Alyen Anahtar
15. 3-dişli bıçak
16. Dış Flanş
17. Somun
18. Bırakma düğmesi
19. Kauçuk Ped Koruma
20. Mandal
21. Elektrik Kontakları
22. Çıkarma Mekanizması
23. Askı tokası
24. Kalça pedi

⚠ UYARI: Aleti asla koruyucu düzgün şekilde takılı değilken kullanmayın. Koruyucu, kullanıcıyı korumak için daima alete takılı durumda olmalıdır.

⚠ UYARI: Alet bir kesim başlığı ile donatıldığında, misinalı koruma donanımı üzerine bir koruyucu monte edilmelidir. Böyle yapılmaması, aşırı uzun kesim ipine ve motorun aşırı yüklenmesine neden olur. Kesim başlığını asla muhafazasız kullanmayın.

MONTAJ

⚠ UYARI: Hasarlı veya eksik parça varsa, bu parçalar değiştirilinceye kadar çalı tırpanını çalıştırmayın. Çalı tırpanının hasarlı veya eksik parçalar ile kullanılması ciddi kişisel yaralanmalara yol açabilir.

⚠ UYARI: Çalı tırpanı üzerinde değişiklik yapmaya veya bu ürünle kullanılması önerilmeyen aksesuarlar oluşturmaya çalışmayın. Bu tür değişiklikler veya modifikasyonlar hatalı kullanımdır ve ciddi kişisel yaralanmalara neden olabilen tehlikeli durumlara neden olabilir.

⚠ UYARI: Koruyucuyu takarken / çıkarırken veya 3 dişli bıçak/kesim bıçağı üzerinde herhangi bir bakım işlemi yaparken daima koruyucu eldivenler giyin. Koruyucu üzerindeki bıçağı / 3 dişli bıçağı dikkat edin ve ellerinizi bıçak yaralanmalarından koruyun.

⚠ UYARI: Ciddi kişisel yaralanmalara neden olabilen yanlışlıkla çalışmayı önlemek için, parçaları monte ederken veya makineyi taşıırken pil takımını mutlaka aletten çıkarın.

⚠ UYARI: Aleti asla koruyucu ve bisiklet kolu sıkıca takılı değilken kullanmayın. Aksi takdirde, ciddi kişisel yaralanmalar meydana gelebilir.

BİSİKLET KOLONUN MONTAJI VE AYARLANMASI

Çalı tırpanı Şek. B'de gösterildiği gibi muhafaza edilir. İlk olarak, bağlantı noktasındaki kelebek civatayı gevşetin ve ardından bisiklet kolunu mil etrafında 180° çevirerek kaldırın (Şek. C), çarpma başlığına doğru bakması için saat yönünün tersine 90° çevirin (Şek. D). Son olarak, rahat bir çalışma konumuna ulaşınca kadar ileri-geri hareket ettirin ve civatayı sıkın.

UYARI: Makine sadece bisiklet kolu mile dik olarak bağlı iken çalıştırılabilir.

KORUYUCUNUN TAKILMASI

Mil tabanından iki vidayı gevşetin ve çıkarın (Şek. E), muhafaza montaj delikleri ile aksam deliklerini hizalayın ve ardından muhafazayı mil tabanına iki yaylı rondela ve iki vida ile sabitleyin (Şek. F).

Koruyucunun Şek. E ve F'ye uygun olarak monte edildiğinden emin olun, hatalı bir montaj büyük tehlikeye yol açar!

KESİM BAŞLIĞINI 3 DİŞLİ BİÇAKLA DEĞİŞTİRME

Kesim başlığını sökmek için Şek. G, Şek. H-1 ile Şek. H-4'te gösterilen adımları ("misinanın değiştirilmesi" bölümüne bakın) izleyin. Bıçağı monte etmek için aşağıdaki adımları izleyin:

1. Metal bıçak ünitesini monte etmek için (Şek. I).
2. Üç civata ve pulu gevşeterek koruyucu donanımı çıkarın (Şek. J).
3. Bıçak bir kılıf ile teslim edilir. Bıçağı çalı tırpanına monte etmeden önce kelepçeli tel, kılıf üzerindeki kancadan alınarak kılıf çıkarılmalıdır (Şek. K).

Şek. G-K parça açıklaması aşağıdaki gibidir:

| | | | |
|-----|-------------------|-----|------------------|
| G-1 | İç Flanş | I-3 | Flanş Kapağı |
| G-2 | Flanş Kapağı | I-4 | 3-dişli bıçak |
| G-3 | Üst Muhafaza ASSY | I-5 | Dış Flanş |
| G-4 | Pul | I-6 | Somun |
| G-5 | Somun | I-7 | Flanştaki Yarık |
| G-6 | Yay | J-1 | Tel kesme bıçağı |
| G-7 | Kesim Misinası | J-2 | Koruma Aksesuarı |
| G-8 | Alt Muhafaza ASSY | K-1 | Kelepçeli Tel |
| I-1 | Motor Mili | K-2 | Kanca |
| I-2 | İç Flanş | | |

UYARI: Yaralanmalara karşı korunmak için, 3 dişli bıçakla yapılan herhangi bir işlemden önce eldiven giymeniz gerekir.

4. İç flanştaki yuvayı dişli kutusundaki mil kilitleme deliği ile hizalamak için motor milini çevirin (Şek. L).
5. Sabitleyici olarak kullanmak için, hizalanmış deliklere ürüne birlikte verilen alyen anahtarları yerleştirin (Şek. M).

Şek. L ve M parça açıklaması aşağıdaki gibidir:

| | | | |
|-----|------------------------------------|-----|-------------|
| L-1 | Dişli Kutusu | L-3 | Motor Mili |
| L-2 | Hizalanmış Mil-Kilitleme Delikleri | M-1 | Sabitleyici |

6. Bıçak yüzeyinin iç flanş çıkıntısının yüzeyi ile aynı hizada olmasını sağlayarak bıçağı motor miline monte edin. Daha sonra dış flanş ve somunu monte edin (Şek. N). Somunu elle SAAT YÖNÜNÜN TERSİ YÖNDE elle sıkın.

Şek. N parça açıklaması aşağıdaki gibidir:

| | |
|-----|---------------|
| N-1 | Somun |
| N-2 | Dış Flanş |
| N-3 | 3-dişli bıçak |

7. Dişli kutusunu destek için sağlam bir yüzey üzerine yerleştirin. Bir elinizle çalı tirpanı milini, diğer elinizle çok işlevli anahtarı tutarak dış flanş üzerinde yer alan ok simgesi yönünde somunu sıkın (Şek. O).

KORUYUCU AKSESUAR KULLANIMI

UYARI: Çalı tirpanı bir kesim başlığı ile donatıldığında, koruma aksesuarı üzerine bir koruyucu monte edilmelidir.

Koruyucu aksesuarı ürüne birlikte verilen alyen anahtar ile üç vidayı sıkarak koruyucu üzerine sabitleyin (misinalı kesim bıçağı koruyucu aksesuar üzerinde yer aldığı için). Böyle yapılmaması, aşırı uzun kesim ipine ve motorun aşırı yüklenmesine neden olabilir.

ALİŞTİRMA

UYARI: Ürüne aşına olmanız sizi dikkatsiz yapmasın. İkinci dereceden bir dikkatsizliğin ciddi yaralanmalara neden olmak için yeterli olduğunu unutmayın.

UYARI: Daima göz koruması ve kulak koruması kullanın. Böyle yapılmaması sonucu gözlerinize fırlayan nesnelere ciddi kişisel yaralanmalara neden olabilir.

UYARI: Bu ürünün üreticisi tarafından önerilmeyen ek parça veya aksesuarları kullanmayın. Önerilmeyen parça veya aksesuarların kullanılması ciddi kişisel yaralanmalara neden olabilir.

UYGULAMALAR

Çalı tirpanını aşağıdaki işlemler için kullanabilirsiniz:

- **3 dişli metal bıçak ile:** Çim, yabancı ot, yabancı bodur çalı ve makileri kesmek, maksimum kök çapı 2 cm olan genç ağaçları inceltmek.
- **Kesim Başlığı ile:** Sundurma, çit ve tabliyelerdeki çim ve otların biçilmesi.

UYARI: Alet sadece belirtilen amaç için kullanılmalıdır. Diğer kullanım şekilleri, örneğin kenar budama, hatalı kullanım olarak kabul edilir.

PİL PAKETİNİN TAKILMASI/ÇIKARILMASI

İlk kullanımdan önce tamamen şarj edin.

Takmak için

Pil paketinin çıkıntısı ile montaj yuvalarını hizalayın ve "klik" sesi duyuncaya kadar pil paketini aşağıya bastırın (Şek. P).

Çıkarmak için

Pil paketi çıkarma düğmesine basın ve paketi çekip çıkarın (Şek. Q).

Şek. P parça açıklaması aşağıdaki gibidir:

| | |
|-----|---------------|
| P-1 | Montaj Yuvası |
| P-2 | Çıkıntı |

ÇİFT OMUZ ASKISININ MONTAJI VE MAKİNEYİ TUTMA

Çift omuz askısını vücudunuza yerleştirin ve bir klik sesi duyuluncaya kadar kayış tokasının iki parçasını birbirine takın (Şek. R-1). Kalça pedinin kancasını mil üzerine sabitlenmiş olan boru klipsinin deliğine hizalayın ve mili hafifçe aşağı bastırın (Şek. R-2 - R-3 - R-4).

Çalı tirpanını her iki elinizle, vücudunuzun sağ tarafında tutun (Şek. S). Kesim başlığı veya bıçak, kullanıcının eğilmesine gerek kalmayacak şekilde uygun bir kesim mesafesinde ve yere paralel olmalıdır.

Çalı tirpanı iki şekilde çıkarılabilir: Askı tokasını açın (Şek. T) veya kayışın kancasına bastırarak mil üzerine takılı boru klipsinden ayırın (Şek. R-2).

UYARI: Acil bir durumda, askıyı hangi şekilde takılı olursa olsun derhal omzunuzdan çıkarın. Askı tokasını açmak (Şek. T) ve askıyı iki elinizle her iki omzunuzdan çıkarmak hızlı bir bırakma yöntemidir.

UYARI: Tek omuz askısı ile çift omuz askısını aynı anda kullanmalısınız.

ÇALI TIRPANINI ÇALIŞTIRMA/DURDURMA

Çalıştırmak için

Kilitleme kolunu bastırın ve basılı tutun. Çalıştırmak için tetiğe basın (Şek. U).

Tetiğe basma düzeyindeki farklar kesim ünitesinin farklı dönüş hızlarında dönmesini sağlar. Gerekirse, maksimum hızı ayarlamak için hız sınırlama kolunu ayarlayın.

UYARI: Hız sınırlama kolu önceden ayarlanarak tetik hareketi de sınırlandırılabilir.

Durdurmak için

Tetiği bırakın.

UYARI: Motor sadece kilitleme kolu ve tetiğin her ikisi de basıldığında çalışır.

UYARI: Mola verdiğinizde ve işiniz bittikten sonra daima pil paketini makineden çıkarın.

MAKİNENİN KULLANIMI

⚠ UYARI: Çalı tırpanını kullanırken yaralanma riskini azaltmak için uygun şekilde giyinin. Bol giysiler giymeyin veya takı takmayın. Göz ve kulak/ışıtme koruması takın. Dayanıklı uzun pantolon, eldiven ve bot giyin. Kısa pantolon, sandalet giymeyin veya çıplak ayakla çalışmayın.

Çalışmaya başlamadan önce, çevrenize bakarak çalışma alanında üçüncü şahıslar, hayvanlar veya boşta duran nesnelere olmadığınızdan emin olun. Üçüncü şahısların en az 15 metre uzakta olduklarından emin olun. Ardından göz koruyucunuzu, giysilerinizin uygun olduğunu ve yere dengeli/sağlam bastığınızı kontrol edin.

Her kullanımdan önce hasarlı/aşınmış parça olup olmadığını kontrol edin. Kesim başlığını, 3 dişli bıçağı, koruyucuyu, koruyucu aksesuarını, bisiklet tipi tutma kolunu ve çift omuz askısını kontrol ederek çatlak, kıvrılmış, eğik veya hasarlı parçalar varsa değiştirin. Koruyucu aksesuarının kenarındaki misina kesim bıçağı zamanla körelebilir. Bu bıçağı düzenli olarak bir ege ile bilemeniz veya yenisiyle değiştirmeniz önerilir.

Her kullanımdan sonra, çalı tırpanını temizleyin

KESİM BAŞLIĞI KULLANIMI

Kesim ipi uzunluğunun ayarlanması

Kesim başlığı operatörün motoru durdurmaya gerek kalmadan kesim ipini salmasına olanak sağlar. İp aşırır veya yıpranırsa, tırpan çalışır durumdayken çarpma düğmesini hafifçe yere vurarak biraz daha ip salınabilir (Bkz. Şek. V).

UYARI: Kesim ipi çok kısa olursa misinanın salınması daha zor olur.

⚠ UYARI: Misina kesim bıçağı donanımını çıkarmayın veya üzerinde değişiklik yapmayın. Aşırı uzun kesim ipi motorun aşırısını ısınmasına neden olabilir ve ciddi kişisel yaralanmalara yol açabilir.

Kesim ipinin değiştirilmesi

UYARI: Daima 2,4 mm'yi aşmayan bir çapa sahip naylon kesim ipi kullanılması önerilir. Belirtilenin dışında kesim ipi kullanımı makinenin aşırısını ısınmasına veya hasar görmesine neden olabilir.

⚠ UYARI: Asla metal takviyeli misina, tel, ip, vb. malzeme kullanmayın. Bunlar parçaları tehlikeli biçimde fırlatılabilir.

1. PİL paketini çıkarın.
2. Gerekirse, kalan kesim ipini çıkarın.
3. Makara tutucu üzerindeki LOAD çizgisini makara tabanındaki delikle hizalamak için, gerekirse makara tutucuyu ok yönünde döndürün (Şek. W-1).

4. 5 m uzunluğunda kesim ipi kesin ve ipi montaj deliğine yerleştirin (Şek. W-2). Makaranın her iki tarafında eşit miktarda kesim ipi oluncaya kadar ipi itin ve diğer taraftan çekin (Şek. W-3).
5. Makara tutucuyu bastırarak ok yönünde çevirin ve her iki tarafta yaklaşık 14 cm kesim ipi kalıncaya kadar ipi makara üzerine sarın (Şek. W-4).
6. Makara tutucuyu aşağı bastırarak kesim ipilerini çekin ve kesim başlığının düzgün monte edildiğini kontrol etmek için manuel olarak ilerletin.

Kesim ipi çıkışı noktasından koparsa veya çim biçme başlığına vurulduğunda kesim ipi salınmazsa, aşağıdaki adımları izleyin:

1. PİL paketini çıkarın.
2. Makara tutucu üzerindeki açma tırmaklarına bastırın ve makara tutucuyu çekerek çıkarın (Şek. H-1 ve H-2).
3. Makara tutucudan kesim ipini çıkarın.
4. Bir elle makara tabanını tutarken, diğer elle makara tutucuyu kavrayın ve makara tutucu üzerindeki tırmakları makara tabanındaki deliklerle hizalayın (Şek. X-1); Avuç içini kullanarak tırmaklar makara tabanına kilitleninçeye kadar makara tutucuyu bastırın ve sağa sola çevirin (Şek. X-2).
5. Kesim ipini tekrar yükleyin.

3-DİŞLİ METAL BİÇAĞIN KULLANIMI

⚠ UYARI: Yabani bodur çalı ve makileri kesmek için, 3 dişli döner bıçağı çallların üzerine indirerek doğrama etkisi elde edin. Çalı kesiciyi zemin seviyesinde normal tırpan gibi (sağa ve sola doğru süpürme hareketi ile) kullanın. Kesim ünitesini bel yüksekliğinin üzerinde tutarak kullanmayın.

⚠ UYARI: Kesim ünitesi yerden ne kadar yüksek tutulursa, yanal olarak fırlayan kesim parçalarından yaralanma riski de o kadar artar.

⚠ UYARI: 2 cm'ye kadar çapa sahip genç ağaç/çalları veya diğer ağaçsı bitkileri keserken bıçağın kuvvetle itilmesini önlemek için bıçağın sol tarafını kullanın. Bıçak sıkışabileceği veya çalı kesiciyi ileri fırlatabileceği için daha büyük çapa sahip ağaçsı bitkileri kesmeye çalışmayın. Aksi takdirde bıçak veya çalı kesici hasar görebilir veya çalı kesici kontrolü kaybedilerek kişisel yaralanmalar meydana gelebilir.

⚠ UYARI: Bıçağın hatalı kullanımı çatlamasına, kırılmasına veya parçalanmasına neden olabilir. Fırlayan parçalar operatörü veya üçüncü şahısları ciddi şekilde yaralayabilir. Kişisel yaralanma riskini azaltmak için, aşağıdaki önlemleri almanız önemlidir:

- Taş, kaya veya metal parçalar gibi sert veya katı yabancı nesnelere temasından kaçınin.
- Asla 2 cm'den daha büyük kök çapına sahip odun veya çalıları kesmeyin.
- Düzenli ve kısa aralıklarla bıçakta hasar izi olup olmadığını kontrol edin. Hasarlı bir bıçakla çalışmaya devam etmeyin.
- Bıçağı düzenli olarak bileyin (belirgin bir şekilde körelendiğinde) ve gerekirse balans ayarını yaptırın (uzman bir servis teknisyeni tarafından gerçekleştirilir).

Bıçağın Kuvvetle İtilmesi

3 dişli bıçağı bu cihazla birlikte kullanırken çok dikkatli olun. Bıçağın kuvvetle itilmesi, döner bıçak tarafından kesilemeyen herhangi bir şeyle temas durumunda ortaya çıkabilecek bir reaksiyondur. Bu temas, bıçağın ani olarak durmasına ve cihazın çarptığı nesneden ani olarak uzağa "itilmesine" neden olabilir. Bu reaksiyon, operatörün cihaz üzerindeki kontrolünü kaybetmesine neden olacak şiddette olabilir. Bıçak takılır, durur veya dönmesi engellenirse uyarı olmaksızın kuvvetle itilebilir. Bu olay, kesilen çalıları görmeyen zor olduğu bölgelerde daha çok olabilir. Kolay ve güvenli bir kesim için, çalı kesiciyle kesilen yabancı otlara sağdan sola doğru ilerleyerek yaklaşın. Beklenmeyen bir nesne veya odunsu çalı gövdesi ile karşılaşıldığında, bu uygulama bıçağın kuvvetle itilmesi reaksiyonunu en aza indirebilir.

BAKIM

⚠ UYARI: Cihazın kontrol, temizlik veya bakımından önce motoru durdurun, tüm hareketli parçaların durmasını bekleyin ve ardından pil takımını çıkarın. Bu talimatlara uyulmaması ciddi kişisel yaralanmalara veya maddi hasara yol açabilir.

⚠ UYARI: Bakım - onarım sırasında sadece birebir aynı yedek parçaları kullanın. Diğer parçaların kullanılması tehlike oluşturabilir veya ürünün hasar görmesine neden olabilir. Güvenliği ve güvenilirliği sağlamak için, tüm onarım işlemleri yetkili bir servis teknisyeni tarafından gerçekleştirilmelidir.

GENEL BAKIM

Plastik parçaları temizlerken çözücü maddeler kullanmaktan kaçınin. Çoğu plastik malzeme çeşitli ticari çözücü türlerinden etkilenmeye yatkındır ve kullanılmaları durumunda zarar görebilir. Kir, toz, yağ, gres, vb. gidermek için temiz bez kullanın.

MAKİNENİN TEMİZLENMESİ

- 3 dişli bıçağın ve kesim başlığının her kullanımından sonra bıçak ve muhafazanın üzerindeki kalıntıları, toprak parçalarını ya da çimleri yumuşak bir fırça ile temizleyin.

UYARI: Misina kesim bıçağı körelendiğinde, uzman bir servis teknisyeni tarafından bilesmesini sağlayın veya gerekirse yeni bir bıçakla değiştirin.

- Çalı tirpanını her kullanımdan sonra, kesim ünitesini nemli bir bez ve yumuşak deterjanla temizleyin.
- Plastik gövde veya tutma sapları üzerinde güçlü deterjanlar kullanmayın. Çam ve limon gibi belirli aromatik yağlar ile kerosen gibi çözücü maddeler bu yüzeylere zarar verebilir. Nem nedeniyle elektrik çarpmaya tehlikesi oluşabilir. Nemli yerleri yumuşak, kuru bir bezle silin.
- Arka gövde üzerindeki hava deliklerini temizlemek için küçük bir fırça veya küçük elektrikli süpürge kullanın.

MAKİNENİN SAKLANMASI

- Pil paketini cihazdan çıkarın.
- Cihazı ayrıntılı olarak temizlemek için ağır hizmet eldivenleri giyin.
- Güvenli koruma sağlamak için 3 dişli bıçak kılıfını bıçağına takın (Şek. Y).
- Cihazı çocukların ulaşamayacağı kuru, iyi havalandırılmış, kilitli veya yüksek bir yerde muhafaza edin. Cihazı gübre, benzin veya diğer kimyasal maddelerin yakınında saklamayın.

Çevre koruması



Elektrikli cihazları, pil şarj cihazını ve pilleri/şarj edilebilir pilleri evsel atıklarla birlikte atmayın!

AB Yasası 2012/19/EU uyarınca, kullanılamaz durumdaki elektrikli ve elektronik cihazlar ile AB Yasası 2006/66/EC uyarınca, arızalı veya kullanılmış pil paketleri/piller ayrı olarak toplanmalıdır.

Elektrikli cihazlar katı atık sahaları veya çöp toplama alanlarına atılırsa, yer altı sularına ve besin zincirine tehlikeli maddeler sızabilir, bu da sağlığınızın bozulmasına yol açabilir.

AB UYGUNLUK BEYANI

EGO EUROPE GMBH.

Wahlwiesenstrasse 1, D-71711 Steinheim an der Murr Deutschland

56 VOLT LİTYUM-İYON ARKA MOTORLU BİSİKLET KOLLU ÇALI TIRPANI BC3800E ürünümüzün, aşağıdaki yönetmeliklerin temel sağlık ve güvenlik gereksinimlerine uygun olduğunu:

2006/42/EC, 2014/30/EU, 2011/65/EU, 2000/14/EC

Aşağıdakilerle ilişkili standartlara ve teknik özelliklere uygun olduğunu beyan ederiz:

EN ISO 11806-1, EN 60745-1, EN 55014-1, EN 55014-2, IEC 62321.

| | Kesim başlığı | 3-dişli metal bıçak |
|--------------------------------|---------------|---------------------|
| Ölçülen Ses Güç Düzeyi: | 94,80 dB(A) | 94,04 dB(A) |
| Garanti Edilen Ses Güç Düzeyi: | 96 dB(A) | 96 dB(A) |

2000/14/AT'ye göre Ek VI uygunluk değerlendirme prosedürü izlenmiştir.

Onaylanmış kuruluş: DEKRA Certification B.V. Meander 1051 / P.O. box 5185 6525 MJ ARNHEM / 6802 ED ARNHEM, Netherlands

Onaylanmış kuruluş numarası: 0344

Peter Melrose
EGO Europe GmbH
Yönetici Müdürü

Dong Jianxun
Chervon Kalite
Müdürü

* (CHERVON yetkili temsilcisi ve teknik belgeleme sorumlusu)

01/09/2017

TR

SORUN GİDERME

| SORUN | NEDENİ | ÇÖZÜM |
|---|---|--|
| Başlatılamadı. | <ul style="list-style-type: none">■ Pil paketi, çalı kesiciye takılı değil.■ Çalı kesici ve pil paketi arasında elektrik bağlantısı yok.■ Pil paketi boş.■ Kilitleme kolu ve tetiğe aynı anda basılmıyor. | <ul style="list-style-type: none">■ Pil paketini elektrikli alet başlığına takın.■ Pil paketini çıkarın, kontak noktalarını kontrol edin ve yerine oturuncaya kadar pil paketini tekrar takın.■ Pil paketini bu kılavuzda belirtilen EGO şarj cihazları ile şarj edin.■ Kilitleme kolunu basılı tutun, ardından tetiğe basarak çalı kesiciyi çalıştırın. |
| Çalışmayı durdur. | <ul style="list-style-type: none">■ Motor aşırı yüklenmiş.■ Ağır kesim ipi kullanılıyor.■ Pil paketi veya çalı kesici çok sıcak.■ Pil paketi ile aletin bağlantısı kesilmiş.■ Pil paketi boş. | <ul style="list-style-type: none">■ Yük kaldırıldığında motor normale dönecektir. Sürekli çalışma için elektrikli alet başlığının yükünü azaltın.■ Çapı en fazla 2,4mm olan standart naylon kesim ipi kullanın.■ Pil paketi veya elektrikli alet başlığı sıcaklığının 67°C'nin altına düşmesini ve soğumasını bekleyin.■ Pil paketini yerine takın.■ Pil paketini bu kılavuzda belirtilen EGO şarj cihazları ile şarj edin. |
| Kesim başlığı misinayı iletmiyor (sadece kesim başlığı ile kullanım). | <ul style="list-style-type: none">■ Motor mili veya kesim başlığı çim sarması nedeniyle tutukluk yapıyor.■ Makarada yeterli misina yok.■ Kesim başlığı kirlidir.■ Misina makaraya dolaşmış.■ Misina çok kısa. | <ul style="list-style-type: none">■ Makineyi durdurun, pili çıkarın, motor mili ve kesim başlığı üzerindeki çimleri temizleyin.■ Pili çıkarın ve bu kılavuzdaki "MİSİNANIN DEĞİŞTİRİLMESİ" bölümünü izleyerek kesim ipini değiştirin.■ Pili çıkarın ve makarayı, makara tutucuyu ve makara tabanını temizleyin.■ Pili çıkarın ve bu kılavuzdaki "MİSİNANIN DEĞİŞTİRİLMESİ" bölümünü izleyerek kesim ipini makaradan çıkarın ve tekrar sarın.■ Pili çıkarın ve çarpma düğmesine basıp bırakarak kesim iplerini çekin. |

TR

GARANTİ

EGO GARANTİ POLİTİKASI

EGO Garanti politikasına ilişkin tüm hüküm ve koşullar için, lütfen egopowerplus.com adresindeki web sitemizi ziyaret edin.

LUGEGE KÕIKI JUHISEID!



Lugege Kasutusjuhendit

⚠️ Kaasnev risk! Inimesed, kes kasutavad elektroonilisi seadmeid, nt südamestimulaatorit, peaksid enne selle toote kasutamist konsulteerima oma arstiga. Elektriseadmete kasutamine südamestimulaatori läheduses võib põhjustada südamestimulaatori häireid või rikkeid.

⚠️ HOIATUS: Ohutuse ja töökindluse tagamiseks tohivad seda seadet remontida ainult vastava kvalifikatsiooniga hooldustehnikud.

OHUTUSSÜMBOLID

Ohutussümbolite eesmärk on tõmmata teie tähelepanu võimalikele ohtudele. Ohutussümbolitele ja nende juures olevatele seletustele tuleb korralikult tähelepanu pöörata ja need endale selgeks teha. Ohutussümbolid iseenesest ei kõrvalda ohu olemasolu. Nendega kaasnevad juhendid ja hoiatused ei asenda korralikke õnnetuste vältimise meetmeid.

⚠️ HOIATUS: Enne käesoleva tööriista kasutamist lugege kindlasti läbi ja tehke endale selgeks kõik Kasutusjuhendis toodud ohutusjuhised, sh kõik ohutussümbolid nagu „OHT,” „HOIATUS,” ja „ETTEVAATUST”. Kui kõiki allpool loetletud juhiseid ei järgita, võib tagajärjeks olla elektrilöök, tulekahju ja/või tõsised isikuvigastused.

SÜMBOLITE TÄHENDUSED

⚠️ TURVATEATE SÜMBOL Sümbolite OHT, HOIATUS või ETTEVAATUST võidakse kasutada koos teiste sümbolite või piltidega.



⚠️ HOIATUS: Mis tahes elektriliste tööriistade kasutamine võib põhjustada võõrkehade paiskumist silma, mis võib põhjustada tõsiseid silmakahjustusi. Kandke elektriliste tööriistade kasutamise ajal alati külgakaitsetega kaitseprille ja vajadusel täielikku näokaitset. Soovitame kanda prillide peal laia vaatealaga kaitsemaski või tavalisi külgakaitsetega kaitseprille.

OHUTUSJUHISED

Sel lehel on kujutatud ja kirjeldatud ohutussümboliteid, mida võib käesolevalt tootelt leida. Enne seadme kokkupanemist ja kasutamist lugege, tehke omale selgeks ja järgige kõiki juhiseid.

| | | |
|--|--|--|
| | Ohutusteade | Viitab võimalikule kehavigastuste ohule. |
| | Lugege kasutusjuhendit | Vigastuste ohu vähendamiseks peab kasutaja enne toote kasutamist lugema kasutusjuhendit ja selle endale selgeks tegema. |
| | Kandke kaitseprille | Kandke selle toote kasutamise ajal alati kaitseprille või külgakaitsetega kaitseprille ja täielikku näokaitset. |
| | Kasutage kõrvade kaitsevahendeid | Kasutage alati oma kuulmise kaitseks müraõõkeid (kõrvatroppesid või kõrvakatteid). |
| | Kandke tugevat peakatet | Pea kaitsmiseks kandke nõuetekohast tugevast materjalist peakatet. |
| | Kandke töökindaid | Tera või tera kaitse käsitsemisel kandke käte kaitsmiseks kindaid. Tugevad ja mittelibisevast materjalist kindad tugevdavad haaret ja kaitsevad käsi. |
| | Kandke ohutusjalatseid. | Seda seadet kasutades kandke mittelibisevatalaga ohutusjalatseid. |
| | Ettevaatust tera tagasilöögiga | Hoiatage seadmega töötavat inimest tera tagasilöögi ohu eest. |
| | Rikošett ja Hoidke kõrvalised isikud eemal | Võõrkehad võivad rikošetiga eemale paiskuda ja selle tagajärjeks võivad olla isikuvigastused või vara kahjustamine. Võsaloõkuriga töötamise ajal ei tohi läheduses olla loomi ega teisi inimesi. |

| | | |
|--|--|--|
|  | Ärge laske kellelgi töö ajal enda lähedal seista | Trimmeriga töötamise ajal ei tohi vähemalt 15 m raadiuses olla loomi ega teisi inimesi. |
|  | Ümarad terad ei sobi | Ärge paigaldage ümaraid lõiketerasid. |
|  | Vältige seadme kokkupuudet vihmaga | Ärge kasutage seadet vihmajärgel ja ärge jätke seadet vihma kätte. |
|  | CE | Toode vastab rakendatavatele EÜ direktiividele. |
|  | WEEE | Elektriseadmete jäätmeid ei tohi visata olmejäätmetesse. Viige heaks kiidetud taaskäitleja juurde. |
|  | Müra | Garanteeritud helivõimsuse tase. Seadme müra keskkonnas on Euroopa Ühenduse direktiiviga vastavuses. |
| V | volti | Pinge |
|  | alalisvool | Voolu tüüp või omadus |
| n_0 | Tühikäigu kiirus | Tühikäigu pöörlemiskiirus |
| ... /min | Minutis | Pööret minutis |

OLULISED OHUTUSJUHISED

⚠ HOIATUS! Selle toote kasutamisel tuleb alati järgida järgnevat elementaarset ohutusnõudeid. Sedasi väldite tulekahju, elektrilöögi ja isikuvigastuste ohtu.

ENNE KASUTAMIST LUGEGE TÄHELEPANELIKULT HOIDKE EDASISEKS KASUTAMISEKS ALLES

⚠ OHT! Ärge eeldage, et tööriista isolatsioonikiht tagab täieliku kaitse elektrilöögi eest. Elektrilöögi ohu vähendamiseks ärge kasutage seadet niisuguste juhtmete ega (voolu- jm.) kaabli läheduses, mis võivad olla voolu all.

⚠ ETTEVAATUST! Töö ajal kasutage sobivat kuulmiskaitset. Sõltuvalt töötingimustest ja töö kestusest võib selle seadme tekitatav müra ka kuulmist kahjustada.

KOOLITUS

- Lugege juhend hoolikalt läbi. Tutvuge juhtseadmetega ja seadme korrektse kasutamise põhimõtetega.
- Ärge lubage seadet kasutada lastel ega inimestel, kes pole tutvunud käesoleva juhendiga. Kohalikud seadused võivad seada seadme kasutajatele vanusepiiranguid.
- Pidage meeles, et seadme kasutaja vastutab teiste inimeste või nende varaga juhtuvate õnnetuste eest.

ETTEVALMISTUS

- Ärge kasutage seadet teiste inimeste (eriti laste) või loomade läheduses.
- Töö ajal kasutage alati silmade kaitsevahendeid ja tugevaid kingi.
- Vahemaa seadme ja kõrvaliste isikute vahel peab olema vähemalt 15m.

KASUTAMINE

- Kasutage võsalõikurit ainult päeval ajal või hea kunstliku valgustusega.
- Ärge kasutage võsalõikurit, mille kaitsepiirdeid või -katted on kahjustatud või puuduvad.
- Mootori sisselülitamisel hoidke käed ja jalad lõikevahenditest eemal.
- Eemaldage võsalõikuri alati vooluvõrgust (s.t eemaldage akuplokk),
 - Kui jätate võsalõikuri järelevalveta;
 - Enne ummistuse eemaldamist;
 - Enne võsalõikuri kontrollimist, puhastamist või seadistamist;
 - Pärast võrkehaga pörkimist.
- Kui võsalõikur hakkab ebanormaalselt vibreerima.
- Jälgige, et lõikevahendid ei vigastaks teie käsi või jalgu.
- Jälgige, et ventilatsioonivad oleksid kogu aeg puhtad.

HOOLDUS JA HOIUSTAMINE

- Enne hooldus- või puhastustoimingute alustamist eemaldage võsalõikuri vooluvõrgust (s.t eemaldage akuplokk),
- Kasutage ainult tootja soovitatud varuosi ja tarvikuid.
- Kontrollige ja hooldage võsalõikurit regulaarselt. Laske seadet remontida ainult volitatud remonditöökojas.
- Kui võsalõikurit ei kasutata, hoidke seda lastele kättesaamatus kohas.

MUUD TURVAHOIATUSED

- **Hoidke lapsed seadmest eemal** – Kõrvalised isikud peavad viibima tööpiirkonnast vähemalt 30 meetri kaugusel.
- **Vältige ohtlikke keskkondi** – ärge kasutage seadmeid niisketel või märgadel kallakutel.
- **Kui jätate võsalõikuri järelevalveta, lülitage see alati välja või eemaldage akuplokk.**
- **Ärge kasutage seadet vihma ajal.**
- **Riietuge sobivalt** - ärge kandke avaraid riideid, ehteid, lühikesi pükse, sandaale ning ärge olge paljajalu. Need võivad liikuvate osade vahele kinni jääda. Kandke alati tugevast materjalist pikki pükse ja pikkade varrukatega pluusi. Välitingimustes töötades on soovitatav kasutada kummikindaid ja tugevaid jalanõusid. Kandke peakatet, mille alla saaks kinnitada juuksed nii, et need oleksid õlgadest kõrgemal.
- **Kasutage kaitseprille** - tolmuses keskkonnas kandke alati näo- või tolmumaski.
- **Kasutage sobivat tööriista** - tööriista tohib kasutada vaid selliste tööde jaoks, milleks see on ette nähtud.
- **Ärge rakendage võsalõikuriga töötades ülemäärast jõudu.** Seade töötab paremini ja turvaliselt, kui seda kasutatakse ettenähtud kiirusel.
- **Ärge küünitage liigselt** – veenduge alati, et teil on kindel jalgeaalune ja te suudate tasakaalu säilitada.
- **Olge tähelepanelik ja keskendunud** - jälgige mida te teete. Rakendage tervet mõistust. Ärge kasutage võsalõikurit väsinuna.
- **Ärge töötage võsalõikuriga, kui olete tarbinud alkoholi või narkootikume.**
- **Hoidke piirded omal kohal ja töökorras.**
- **Hoidke käed ja jalad tööpiirkonnast eemal.**
- **Hoiustage võsalõikurit sisetingimustes** – Kui võsalõikurit ei kasutata, tuleks seda hoiustada kuivas ja kõrges lukustatud ning lastele ligipääsmatus kohas ilma akuplokita.
- **Hooldage võsalõikurit hoolikalt** – parimate töötulemuste saavutamiseks ja vigastuste ohu vähendamiseks hoidke lõiketarvik puhtana. Järgige komponentide vahetamise juhiseid. Hoidke käepidemete kuiva ja puhtana ning vältige õli ja rasva sattumist seadmele.
- **Kontrollige kahjustatud osi** - enne võsalõikuri kasutamise jätkamist kontrollige kahjustatud piiret või muud detaili hoolikalt, et veenduda, et need toimivad korrektselt ja täidavad oma funktsiooni. Kontrollige, kas liikuvad osad on korrektselt joondatud ja ega ükski osa paindunud või katki pole ja kas osad on korrektselt paigaldatud ning jälgige ka muid aspekte, mis võiksid

seadme omadusi mõjutada. Kahjustatud kate või muu kahjustatud detail tuleks korrektselt parandada või asendada ametlikus hoolduskeskuses, välja arvatud juhul, kui selles juhendis pole öeldud teisiti.

- **Veenduge, et kõik kinnitusedetailid on paigas ja fikseeritud. Veenduge, et lõiketarviku kaitse on korrektselt paigaldatud ja tootjapoolse soovitusel kohases asendis.**
- **Enne töö alustamist puhastage tööpiirkond võõrkehade**. Eemaldage tööpiirkonnast kõik võõrkehad, näiteks kivid, klaasikillud, naelad, juhtmed ja nõõrid, mis võivad õhku paiskuda või lõiketarvikusse kinni jääda. Jälgige, et tööpiirkonnas poleks lapsi, kõrvalisi isikuid ega loomi. Kõik lapsed, kõrvalised isikud ja lemmikloomad peavad viibima vähemalt 15 m (50 jala) kaugusel; ka väljaspool 15 m (50 jala) tsooni säilib lendavate esemete tekitatavate vigastuste risk. Soovitage kõrvalistel isikutel kasutada kaitseprille.
- **Alati enne võsalõikuri kasutamist ja pärast kokkupuudet takistusega kontrollige seadme kuluvust ja kahjustusi ning vajadusel remontige seda.**
- **Töö ajal hoidke alati kahe käega tugevalt võsalõikuri käepidemetest kinni. Pange sõrmed ümber käepideme.**
- **Vältige seadme juhuslikku käivitamist** - ärge kandke võsalõikurit sõrme päästikul hoides.
- **Ärge kasutage võsalõikurit gaasi sisaldavates või plahvatusohtlikes keskkondades.** Seda tüüpi seadmete mootorid tekitavad sademeid, mis võivad aurd süüdata.
- **Võsalõikuri kahjustamine** - kui tabate võsalõikuriga võõrkeha või võõrkeha jääb võsalõikuri külge kinni, seisake tööriist koheselt, eemaldage võsalõikurilt akuplokk, kontrollige võimalikke kahjustusi ja vajadusel laske seade enne töö jätkamist remontida. Ärge kasutage seadet, mille kaitsepiire või lõiketarvik on katki.
- **Kui seade peaks ebanormaalselt vibreerima hakkama, peatage mootor, eemaldage võsalõikurilt akuplokk ja otsige koheselt vibreerimise põhjust.** Vibratsioon hoiatab tavaliselt ohu eest. Lahtine lõiketarvik võib vibreerida, mõraneda, murduda või võsalõikuri küljest ära tulla. Selle tagajärjeks võivad olla raskeid või surmavad kehavigastused. Veenduge, et lõiketarvik on korrektselt paigaldatud ja kindlalt fikseeritud. Kui lõiketarvik tuleb pärast kohale fikseerimist lahti, vahetage see kohe välja. Ärge kunagi kasutage lahtise lõiketarviku võsalõikurit.

ET

- Mõranenud, kahjustunud või kulunud lõiketarvik tuleb koheselt välja vahetada isegi siis, kui kahjustuseks on vaevumärgatav mõra. Sellised tarvikud võivad suurel kiirusel puruneda ja põhjustada raskeid või surmavaid vigastusi.
- Vigastuste esinemise ohu vähendamiseks ärge kunagi kasutage seda seadet, kui seisate redelil või muul ebakindlal pinnal. Ärge kunagi hoidke lõiketarvikut vöökohast kõrgemal.
- Ärge kunagi kasutage nailonist jõhvi asemel traati, sest traaditükid võivad küljest ära tulla ja suurel kiirusel seadmega töötaja või kõrvaliste isikute poole paiskuda.
- Veenduge alati, et teil on kindel jalgealune ja te suudate tasakaalu säilitada. Ärge küünitage. Hoidke lõiketarvikut vöökohast allpool. Vältige kehaosade kokkupuudet pöörleva lõiketarvikuga.
- Kontrollige lõiketarviku seisukorda töötamise ajal regulaarselt ja sagedasti või koheselt kui ilmneb märgatav muutus lõikeseadmete töös.
- Kasutage ainult EGO originaalset polümeerist trimmeri jõhvi ja terade tarvikuid, trimmeri jõhvi ja lõiketera, mis on mõeldud kasutamiseks selle võsalõikuriga. Teatud mitteoriginaaltarvikud võivad olla väga ohtlikud ja/või kahjustada tööriistu.
- Kui keegi teile läheneb, seisake mootor ja lõiketarvik koheselt.
- Hoiatage seadmega töötavat inimest tera tagasilöögi ohu eest (ainult 3-teralise lõiketera kasutamisel).
 - Tera tagasilöök võib esineda siis, kui pöörlev lõiketera puutub kokku esemega, mida see kohe läbi ei löika.
 - Tera tagasilöök võib olla piisavalt tugev, et tööriista ja/või sellega töötavat isikut suvalises suunas paisata ning võib juhtuda, et töötaja kaotab seadme üle kontrolli.
 - Tera tagasilöök võib tekkida ootamatult, kui tera puruneb, seisub või paindub.
 - Tera tagasilöögi esinemine on tõenäolisem piirkondades, kus lõigatavat materjali on raske näha.
- Ärge paigaldage seadme külge ühtegi tera ilma kõigi nõutavate osadeta. Õigete osade kasutamata jätmise korral võib tera seadme küljest minema paiskuda ning sellega töötavat isikut ja/või kõrvalisi isikuid tõsiselt vigastada. Visake ära kõik paindunud, kõverdunud, pragunenud, katkised või muul moel kahjustunud terad. Kasutage teravaid lõiketerasid. Nüri lõiketera võib kergemini puruneda või tagasilööki anda (ainult 3-teralise lõiketera kasutamisel).

- Aku käitlemisel tuleb järgida ohutusreegleid.
- Tühikäigul pöörlev tera võib tekitada vigastusi, sest see jätkab pöörlemist ka siis, kui mootor on peatunud ja päästik vabastatud. Säilitage kontroll seadme üle kuni tera on pöörlemise täielikult lõpetanud.
- Ärge laadige akuplokki niisketes ega märgades tingimustes.
- Kasutage ainult järgnevalt nimetatud EGO akuplokke ja laadijaid:

| AKU | LAADIJA |
|---|--------------------|
| BA1120E, BA1400, BA2240E, BA2800, BA3360, BA4200, BAX1300 | CH2100E CH5500E |

- Akuplokk tuleb seadmelt enne selle tööea lõppu eemaldada.
- Ärge hävitage akusid põletamise teel. Need võivad plahvatada. Tutvuge kohalike eeskirjadega, et leida võimalikke erijuhiseid akude ja patareide kõrvaldamiseks.
- Ärge avage ega lõhkuge akut. Väljuv elektrolüüt on korrodeeriv ning võib silmi ja nahka vigastada. Allaneelamisel võib see mürgine olla.
- Akude käsitlemisel olge hoolikas ja jälgige, et te ei lühista akut elektrit juhtivate esemete (nt sõrmuste, käevõrude, võtmete) abil. Aku või elektrit juhtiv ese võib üle kuumeneda ja põhjustada põletushaavu.
- Varuosad - Remondiks võib kasutada ainult identseid EGO originaalvaruosi. Ükskõik missuguse muu tarviku või lisakomponendi kasutamine suurendab vigastuste tekkimise ohtu.
- Akuga töötavaid tööriistu pole vaja vooluvõrku ühendada, seega on nad alati töörežiimis. Olge teadlik võimalikest ohtudest ka ajal, mil tööriist pole sisse lülitatud. Seadme hooldamise või remontimise ajal olge ettevaatlik.
- Enne võsalõikuri hooldamist, puhastamist või võörkehade eemaldamist ühendage akuplokk lahti ja võtke võsalõikuri küljest ära.
- Ärge peske seadet vooliku abil, vältige vee sattumist mootoris ja elektriühenduste peale.
- Kui esineb olukordi, mida pole käesolevas juhendis kirjeldatud käituge hoolsalt ja lähtuge tervest mõistusest. Küsige abi EGO hoolduskeskusest.

HOIDKE SEE KASUTUSJUHEND ALLES!

SPETSIFIKATSIOONID

| | | | |
|---|------------------------------------|---|---|
| Lõiketarvik | Trimmeripea | 3-teraline metallist lõiketera | |
| Pinge | 56 V | 56 V | |
| Tühikäik | 4500-6000/min | 4500-6000/min | |
| Lõikejõhvi tüüp | 2,4mm nailonist jõhv (keerumusega) | / | |
| Lõiketera | / | ABB1203 | |
| Lõikelaius | 38 cm | 30 cm | |
| Kaal (Ilma akublokita) | 4,35 kg | 4,64 kg | |
| Möödetud helirõhk L_{WA} | 94,80 dB(A); K=1,01 dB(A) | 94,04 dB(A); K=1,71 dB(A) | |
| Helirõhk seadme tööasendis L_{PA} | 80,2 dB(A); K=2,5 dB(A) | 80,0 dB(A); K=4,1 dB(A) | |
| Garanteeritud helirõhu tase L_{WA} (vastavalt 2000/14/EC) | 96 dB(A) | 96 dB(A) | |
| Vibratsioon a_h mõõtmise: | Vasak-poolne käepide | 2,28 m/s ² ; K=1,5 m/s ² | 1,55 m/s ² ; K=1,5 m/s ² |
| | Parem-poolne käepide | 2,38 m/s ² ; K=1,5 m/s ² | 1,88 m/s ² ; K=1,5 m/s ² |

- Ametlik vibratsioonitaseme näit on mõõdetud standardsete testmeetodite kohaselt ja seda võidakse kasutada erinevate tööriistade võrdlemiseks.
- Ametlikku vibratsioonitaseme näitu võib kasutada ka alge kokkupuutehinnangu andmiseks.

MÄRKUS: Tegelikul kasutamisel tekiv vibratsioonitase või ametlikult märgitust erineda; turvalisuse eesmärgil peaks seadme kasutaja kandma kindaid ja kuulmiskaitsmeid.

PAKENDI LOEND

| OSA NIMI | KOGUS |
|-----------------------------------|-------|
| Võsalõikur | 1 |
| 3-teraline lõiketera koos kattega | 1 |
| Kaitsepiire | 1 |
| Mutter | 1 |
| Välimine äärik | 1 |
| Kuuskantvõti | 1 |
| Mitmeotstarbeline mutrivõti | 1 |
| Kahepoolsed õlarihmad | 1 |
| Kasutusjuhend | 1 |

KIRJELDUS

TUNNE OMA VÕSALÕIKURIT (joon. A)

- Kiiruse piiramise hoo
- Lukustushoob
- Liblikpolt
- Päästik
- U-käepide
- Võlli
- Lõikejõhv
- Kaitsepiire
- Trimmeripea
- Kinnituskrui
- Võlli kinnitamise ava
- Turvapiire
- Mitmeotstarbeline mutrivõti
- Kuuskantvõti
- 3-teraline lõiketera
- Välimine äärik
- Mutter
- Vabastusnupp
- Kummipadjast kaitse
- Riiv
- Elektrikontaktid
- Väljutusmehhanism
- Õlarihmade klamber
- Puusapadi

⚠ HOIATUS: Ärge kasutage tööriista, mille turvapiire pole korrektselt paigaldatud. Kasutaja turvalisuse huvides peab piire kogu aeg kinnitatud olema.

⚠ HOIATUS: Kui tööriist on varustatud trimmeripeaga, siis tuleks turvapiirdele kinnitada jõhvi lõikamise teraga piirde tarvik. Selle nõude mittejärgimise tagajärjeks võib olla liiga pikk lõikejõhv ja sellest tulenev mootori ülekoormus. Ärge kunagi kasutage trimmeripead ilma piirde tarvikuta.

KOKKUPANEK

⚠ HOIATUS: Kui mõni osa on kahjustatud või puudub, ärge kasutage võsälõikurit enne, kui need osad on asendatud. Kahjustatud või vajalike komponentideta võsälõikuri kasutamise tagajärjel võite saada raskeid vigastusi.

⚠ HOIATUS: Ärge üritage võsälõikurit ümber ehitada ega kasutada lisaseadmeid, mis pole mõeldud selle seadmega koos kasutamiseks. Kõik niisugused muudatused loetakse väärkasutuseks ja need võivad põhjustada ohtlikke olukordi, mis lõppevad rasketest vigastustega.

⚠ HOIATUS: Turvapiirde paigaldamisel või eemaldamisel ja 3-teralise lõiketera / jõhvi lõikamise tera hooldamisel kandke alati tugevaid kindaid. Olge piirde tarvikul oleva jõhvi lõikamise teraga / 3-teralise lõiketeraga ettevaatlik ja kaitske oma käsi lõiketerade tekitatavate võimalike vigastuste eest.

⚠ HOIATUS: Raskeid vigastusi põhjustada võiva juhusliku käivitumise vältimiseks eemaldage seadmeosade kokkupaneku või seadme transportimise ajaks alati akuplokk.

⚠ HOIATUS: Ärge kasutage tööriista ilma tugevalt kinnitatud turvapiirde ja U-käepidemeta. Juhiste eiramine võib kaasa tuua tõsisid vigastusi.

U-KÄEPIDEME PAIGALDAMINE JA SEADISTAMINE

Võsälõikurit hoiustatakse joonisel B näidatud asendis. Esiteks vabastage ühenduslüli küljes olev liblikpolt ja seejärel liigutage U-käepidet võllil 180° kraadi (joonis C), keerake seda 90° võrra vastupäeva kuni see on suunatud tööriistapea poole (joonis D). Viimaks liigutage seda edasi-tagasi mugava asendi saavutamiseni ning kinnitage polt.

MÄRKUS: Seadmega võib töötada ainult siis, kui U-käepide asetseb võlli suhtes risti.

KAITSEPIIRDE PAIGALDAMINE

Kruvige lahti kaks võlli aluse (joon. E) küljes olevat kruvi, joondage aluse kinnitusaugud kaitsedetaili aukudega ja kinnitage kaitsedetail aluse külge kahe kruvi ja kahe seibiga (joon. F)

Veenduge, et kaitsedetail on kinnitatud vastavalt joonistel E ja F antud juhiste. Juhiste mittejärgimine tekitab väga ohtliku olukorra!

TRIMMERIPEA VAHETAMINE 3-TERALISE LÕIKETERA VASTU

Trimmeripea (joonis G) eemaldamiseks tehke endale trimmeripea selgeks ja järgige samme joonistel H-1 kuni H-4 (vt. jaotist „jõhvi vahetamine“). Lõiketera paigaldamiseks järgige alltoodud juhiseid:

1. Metallist lõiketera paigaldamiseks (joonis I).
2. Eemaldage piirde tarvik, vabastades kolm kruvi ja seibi (joonis J).
3. Lõiketera tamitakse koos kattega. Enne lõiketera võsälõikuri külge paigaldamist tuleks eemaldada kate, vabastades kinnitustradi konksu tagant (joonis K).

Joonised G-K osade kirjeldus, vt allapoole:

| | | | |
|-----|--------------------|-----|----------------------|
| G-1 | Seesmine äärik | I-3 | Ääriku kate |
| G-2 | Ääriku kate | I-4 | 3-teraline lõiketera |
| G-3 | Ülemise bloki kest | I-5 | Välmine äärik |
| G-4 | Seib | I-6 | Mutter |
| G-5 | Mutter | I-7 | Äärikus olev ava |
| G-6 | Vedru | J-1 | Jõhvi lõikamise tera |
| G-7 | Lõikejõhv | J-2 | Turvapiire |
| G-8 | Alumise bloki kest | K-1 | Kinnitustraat |
| I-1 | Mootori võll | K-2 | Konks |
| I-2 | Seesmine äärik | | |

MÄRKUS: Vigastuste vältimiseks kandke 3-teralise lõiketera käsitsemisel alati kindaid.

4. Keerake mootori võlli, et joondada sisemine äärik käigukastis oleva võlli lukustamise avaga (joonis L).
5. Sisestage kuuskantvõti joondatud avadesse, et see funktsioneeriks stabiliseerijana (joonis M).

Joonised L ja M osade kirjeldus, vt allapoole:

| | | | |
|-----|----------------------------------|-----|----------------|
| L-1 | Käigukast | L-3 | Mootori võll |
| L-2 | Joondatud võlli lukustamise avad | M-1 | Stabiliseerija |

6. Paigaldage lõiketera mootori võllile ja veenduge, et tera pind on sisemise ääriku kumerusega ühetasa. Paigaldage välmine äärik ja mutter (joonis N). Keerake mutrit käsitsi VASTUPÄEVA.

Joonised N osade kirjeldus, vt allapoole:

| | |
|-----|----------------------|
| N-1 | Mutter |
| N-2 | Välimine äärk |
| N-3 | 3-teraline lõiketera |

7. Asetage käigukast toetamise eesmärgil kindla pinna vastu. Hoidke ühe käega võsalõikuri völliist ja haarake teise käega multifunktsionaalne mutrivõti, et keerata mutter kinni välimisele äärkule märgitud noole suunas (joonis O).

PIIRDE TARVIKU KASUTAMINE

MÄRKUS: Kui võsalõikur on varustatud trimmeripeaga, siis tuleks turvapiirdele kinnitada jõhvi lõikamise teraga piirde tarvik.

Paigaldage piirde tarvik turvapiirdele, fikseerides kolm kruvi kuuskantvõtmega, sest jõhvi lõikamise tera on piirde tarviku küljes. Selle nõude mittejärgimise tagajärjeks võib olla liiga pikk lõikejõhv ja sellest tulenev mootori ülekoormus.

KASUTAMINE

⚠ HOIATUS: Ärge muutuge toodet tundma õppides hooletuks. Pidage meeles, et raskeid vigastusi põhjustavaks õnnetuseks piisab ka sekundi murdosa pikkusest tähelepanematuses.

⚠ HOIATUS: Kasutage alati nägemis- ja kuulmiskaitsevahendeid. Vastasel juhul võivad esemed silma lenduda ja tekitada silma- või teisi tõsiseid kahjustusi.

⚠ HOIATUS: Ärge kasutage lisaseadmeid või -tarvikuid, mida selle seadme valmistaja pole soovitanud. Mittesoovitavate lisaseadmete või -tarvikute kasutamine võib põhjustada raskeid kehavigastusi.

RAKENDUSED

Võsalõikurit tohib kasutada allpool loetletud eesmärkidel:

- **3-teralise metallist lõiketeraga:** Rohu, umbrohu, metsiku juurdekasvu ja võsa lõikamine, maksimaalselt 2 cm tüveläbimõõduga noorte puistute harvendamine.
- **Trimmeripeaga:** Muru ja umbrohu eemaldamine välistrepi, aia ja veranda ümber.

MÄRKUS: Seadet tohib kasutada vaid käesolevas juhendis lubatud eesmärgil. Igasugust muud kasutust loetakse väärkasutuseks.

AKUPLOKI PAIGALDAMINE/EEMALDAMINE

Laadige enne esimest kasutamist täielikult.

Paigaldamiseks

Joondage aku ribad paigaldussoontega ja suruge akuplokki alla kuni kuulete klõpsatust (joonis P).

Eemaldamiseks

Vajutage akuvabastusnuppu ja tõmmake akupakk välja (joonis Q).

Joonised P osade kirjeldus, vt allapoole:

| | |
|-----|---------------|
| P-1 | Paigaldussoon |
| P-2 | Riba |

KAHEPOOLSETE ÕLARIHMAD KINNITAMINE JA SEADME HOIDMINE

Pange kahepoolsed õlarihmad selga ja kinnitage õlarihmade klambri kaks osa üksteise külge nii, et kuulete klõpsatust (joonis R-1). Joondage puusapadja konks völli külge fikseeritud torukinnitusklambri ja vajutage völli tasakesi allapoole (joonised R-2, R-3 ja R-4).

Hoidke trimmerit mõlema käega paremal küljel (joonis S). Trimmeripea või lõiketera peaksid olema õiges lõikekauguses maapinnaga paralleelselt ilma, et seadmega töötaja peaks kummarduma.

Võsalõikuri eemaldamiseks on kaks võimalust: Vabastage õlarihmade klamber (joonis T) või vajutage rihma konksule ja eemaldage see völli külge fikseeritud torukinnitusklambri küljelt (joonis R-2).

⚠ HOIATUS: Hädaolukorras võtke see koheselt seljast, olenemata sellest millises asendis õlarihmad on. Seadme kiireks eemaldamiseks vabastage õlarihmade klamber (joonis T) ja võtke käed rihmade vahelt välja.

⚠ HOIATUS: Ühepoolseid ja kahepoolseid õlarihmasid ei tohi kasutada korraga.

VÕSALÕIKURI KÄIVITAMINE/SEISKAMINE

Käivitamiseks

Vajutage lukustushooba ja hoidke seda all. Käivitamiseks vabastage päästik (joonis U).

Lõiketarviku pöörlemiskiirus sõltub sellest, kui tugevalt te päästikut vajutate. Vajadusel seadistage kiiruse piiramise hoob ja määrake maksimaalne kiirus.

MÄRKUS: Kiiruse piiramise hooba saab seadistada ka päästiku liikumise piiramiseks.

ET

Peatamiseks

Vabastage päästik.

MÄRKUS: Mootor töötab vaid siis, kui nii lukustushoob kui ka päästik on alla vajutatud.

⚠ HOIATUS: Tööpauside ajal ja pärast töö lõpetamist eemaldage alati akuplokk trimmeri küljest.

SEADME KASUTAMINE

⚠ HOIATUS: Kandke sobivat riietust, et vältida vigastuste teket võsälõikuri kasutamisel. Ärge kandke ehteid ega avaraid riideid. Kandke nägemis- ja kuulmiskaitsevahendeid. Kandke tugevast materjalist pikki pükse, saapaid ja kindaid. Ärge kandke seadmega töötamisel lühikesi pükse ega sandaale ja ärge töötage paljajalu.

Enne seadmega töötamist veenduge, et tööpiirkonnas ei ole teisi inimesi, loomi ega lahtisi esemeid. Veenduge, et nad on vähemalt 15 m kaugusel. Seejärel järgige silmade kaitsmise, riietuse ja tasakaalu säilitamise nõudeid.

Enne iga kasutuskorda kontrollige ega seadme osad kulumunud või kahjustatud pole.

Kontrollige trimmeri pead, 3-teralist lõiketera, turvapiiret, piirde tarvikut, U-käepidet ja kahepoolseid õlarihmasid ning vahetage välja mõranenud, väärdunud, paindunud või muul moel kahjustatud komponendid. Piirde tarviku äärel asuv jõhvi lõikamise tera võib aja jooksul kuluda. Soovitav on seda aeg-ajalt viiliga teritada või nürinemise korral uue vastu vahetada.

Puhastage võsälõikurit pärast iga kasutuskorda

KASUTAMINE KOOS TRIMMERIPEAGA

Lõikejõhvi kõrguse seadistamine

Trimmeripea abil saab kasutaja pikendada jõhvi seadet seiskamata. Kui jõhv läheb katki või kulub, puudutage jõhvi pikendamiseks lõikepea muhuga kergelt maad ilma trimmerit seiskamata (joonis V).

MÄRKUS: Lõikejõhvi vabastamine muutub jõhvi lühenedes järjest raskemaks.

⚠ HOIATUS: Ärge eemaldage ega kohandage jõhvi lõiketera. Liiga pikk jõhv põhjustab mootori ülekuumenemist, mis omakorda suurendab raskete vigastuste ohtu.

Jõhvi vahetamine

MÄRKUS: Kasutage alati seadme jaoks mõeldud nailonist jõhvi, mille diameeter ei ületa 2,4 mm. Muu jõhvi kasutamine võib kaasa tuua võsälõikuri ülekuumenemise või kahjustumise.

⚠ HOIATUS: Ärge kasutage metalse tugevdusega nõõri, traati, köit vmt. Need võivad murduda ning õhku töustes ohtlikuks muutuda.

1. Eemaldage akuplokk.
2. Vajadusel eemaldage ülejäänud jõhv.
3. Keerake poolihoidikut noolega näidatud suunas nii palju, kui vaja, et poolihoidikul olev märg „LOAD“ oleks kohakuti pooli aluse augukestega (joonis W-1).
4. Lõigake 5m lõikejõhvi ja sisestage jõhv augukeses olevasse kinnitusavasse (joonis W-2). Lükake ja tõmmake jõhvi teiselt poolt kuni mõlemal pool pooli on sama palju jõhvi (joonis W-3).
5. Suruge pooli, samal ajal, kui te poolihoidikut noole suunas keerate, et pool jõhviga täita, kuni umbes 14 cm jõhvi on näha mõlemalt poolt välja (joonis W-4).
6. Vajutage poolihoidik alla samal ajal jõhve tõmmates, et neid käsitsi edasi liigutada ja kontrollida, kas trimmeri pea on korralikult kokku pandud.

Kui jõhv läheb katki avadest, kust jõhv välja tuleb, või kui jõhv ei tule trimmeri pea vastu koputades välja, siis tehke järgmist.

1. Eemaldage akuplokk.
2. Vajutage poolihoidiku vabastussakkidele ja eemaldage poolihoidik, tõmmates see otse välja (joonised H-1 ja H-2).
3. Eemaldage jõhv poolihoidikust.
4. Hoides ühe käe pooli alusel võta teise käega poolihoidikust kinni ja joonda poolihoidiku vabastussakid aukudega pooli alusel (joonis X-1); vajuta käelabaga poolihoidik alla ning keera seda vasakule ja paremale kuni vabastussakid lukustuvad pooli alusesse (joonis X-2).
5. Pange poolile uus lõikejõhv.

KASUTAMINE KOOS 3-TERALISE LÕIKETERAGA

⚠ HOIATUS: Metsiku juurdekasvu ja võsa lõikamiseks laske pöörlev 3-teraline lõiketera alla juurdekasvu kohale ja hakkige see. Maapinna kohal kasutage võsälõikurit nagu vikatiit (tõmmake seda paremale ja vasakule). Ärge kasutage lõiketera vöökohast kõrgemal.

⚠ HOIATUS: Mida kõrgemal maapinnast on lõiketarvik, seda suurem on küljele paiskuvate lõikejääkide põhjustatavate vigastuste oht.

⚠ HOIATUS: Kuni 2 cm läbimõõduga noorte puistute või muu puise materjali lõikamisel kasutage lõiketera vasakut poolt, et ennetada tera tagasilöögi olukordi. Ärge üritage lõigata suurema läbimõõduga puist materjali, sest lõiketera võib kinni jääda või võsalõikurit ettepoole tõmmata. See võib kahjustada lõiketera või võsalõikurit või põhjustada võsalõikuri üle kontrolli kaotamist, mille tagajärjeks võivad olla vigastused.

⚠ HOIATUS: Lõiketera ebasobiv kasutamine võib põhjustada selle pragunemist, murdumist või purunemist. Lendavad osad võivad seadmega töötavat või kõrvalisi isikuid tõsiselt vigastada. Vigastuste ohu vähendamiseks on oluline järgida järgmisi ettevaatusabinõusid:

- Vältige kontakti kõvade ja tugevate võõrkehade, nt kivide, kaljunukkide või metallitükkidega.
- Ärge kunagi lõigake puitu või võsa, mille läbimõõt on suurem kui 2 cm.
- Kontrollige lõiketera võimalikku kahjustumist regulaarselt ja sagedasti. Ärge jätkake töötamist kahjustunud teraga.
- Teritage lõiketera regulaarselt (kui see on märgatavalt nõrk muutunud) ning vajadusel laske seda tasakaalustada (ametlikus hoolduskeskuses).

Tera tagasilöökk

Selle seadme ja 3-teralise lõiketeraga töötamisel tuleb olla äärmiselt ettevaatlik. Tera tagasilöökk võib esineda siis, kui pöörlev lõiketera puutub vastu objekti, mida see ei suuda lõigata. See kokkupuude võib põhjustada lõiketera hetkelist peatumist ning äkilist tabatud objektist eemale tõukumist. See võib olla piisavalt tugev, et võib juhtuda, et operaator kaotab seadme üle kontrolli. Tera tagasilöökk võib tekkida ootamatult, kui tera puruneb, seisub või paindub. Tera tagasilöögi esinemine on tõenäolisem piirkondades, kus lõigatavat materjali on raske näha. Lõikamise lihtsustamise ja ohutuse seisukohalt tuleb võsalõikuriga lõigatavale umbrohule läheneda suunaga paremalt vasakule. Ootamatu eseme või puise materjaliga kokkupuutumisel võib see praktika tera tagasilööki minimeerida.

HOOLDUS

⚠ HOIATUS: Enne seadme kontrolli, puhastamist või hooldust tuleb mootor peatada ja oodata kõigi liikuvate osade peatumist ja eemaldada akuplokk. Juhiste mittejärgimine võib kaasa tuua tõsise vigastuse või varalise kahju.

⚠ HOIATUS: Remontimisel kasutage vaid originaalvaruosi. Mis tahes muude osade kasutamine võib põhjustada ohtlikke olukordi või seadet vigastada. Ohutuse ja töökindluse tagamiseks tohivad seda seadet remontida ainult vastava kvalifikatsiooniga hooldustehnikud.

ÜLDINE HOOLDUS

Vältige plastosade puhastamisel lahustite kasutamist. Enamik plastmasse on kaubanduslike lahustite suhtes tundlikud ja võivad nende kasutamisel kahjustada saada. Mustuse, tolmu, õli, määrte jms eemaldamiseks kasutage puhtaid riidest lappe.

SEADME PUHASTAMINE

- Pärast iga kasutuskorda puhastage 3-teraline lõiketera / trimmeripea ja turvapiree prahist, kinni jäänud mullast või rohust pehme harjaga.

MÄRKUS: Kui jõhvi lõikamise tera muutub nõrks, siis palun laske seda teritada ametlikus hoolduskeskuses või vajadusel vahetage see uue jõhvi lõikamise tera vastu välja.

- Pärast iga võsalõikuri kasutuskorda puhastage lõikeseadet niiske lapi ja leebetoimelise puhastusainega.
- Ärge kasutage plastmasskomponentide või käepideme puhastamiseks tugevatoimelisi puhastusaineid. Seadme osi võivad kahjustada teatud aroomaatsed õlid (nt männi- või sidruniõli) ja teatud ained (nt petrooleum). Niiskus võib tekitada elektrilöögi ohu. Eemaldage niiskus pehme kuiva lapiga.
- Tagumise korpuse õhutusava puhastamiseks kasutage väikest harja või väikest tolmuimejat.

SEADME HOIUSTAMINE

- Ühendage akuplokk tööriistast lahti.
- Tööriista põhjalikult puhastamisel kandke tugevast materjalist kindaid.
- Ohutuks hoiustamiseks paigaldage 3-teralisele lõiketerale terakate (joonis Y).
- Hoidke tööriista kuivas ja kõrges lukustatud ning lastele ligipääsmatus kohas. Ärge hoidke seadet väetiste, bensiini või muude kemikaalide läheduses.

Keskkonnakaitse



Ärge visake elektriseadmeid, akulaadijat ega patareisid / akusid olmeprügi hulka!

Vastavalt Euroopa Liidu eriaruandele nr 19/2012 tuleb elektri- ja elektroonika-seadmed, mis pole enam kasutatavad, ning, vastavalt direktiivile 2006/66/EÜ, ka defektsed või kasutatud akuplokid / patareisid, eraldi kokku koguda.

Kui elektriseadmed maetakse maa sisse või viiakse prügimäele, võivad ohtlikud ained põhjavekke lekkida ja toiduahelasse sattuda ning kahjustada teie tervist ja heaolu.

EN VASTAVUSDEKLARATSIOON



Meie, EGO EUROPE GMBH

Wahlwiesenstrasse 1, D-71711 Steinheim an der Murr
Deutschland

Kinnitame, et see toode, **56-VOLDISE LIITUMIOONAKUGA TAGUMISE MOOTORI JA U-KÄEPIDEMEGA VÕSALÕIKUR BC3800E** vastab järgmiste direktiividega sätestatud esmastele tervise- ja turvanõuetele:

2006/42/EÜ, 2014/30/EL, 2011/65/EL, 2000/14/EÜ

Viidatud standardid ja tehnilised spetsifikatsioonid:

EN ISO 11806-1, EN 60745-1, EN 55014-1, EN 55014-2, IEC 62321.

| | Trimmeripea | 3-teraline metallist lõiketera |
|----------------------------------|-------------|--------------------------------|
| Mõõdetud helivõimsuse tase: | 94,80 dB(A) | 94,04 dB(A) |
| Garanteeritud helivõimsuse tase: | 96 dB(A) | 96 dB(A) |

Vi lisas kirjeldatud vastavushindamismenetlust järgitakse vastavalt direktiivile 2000/14/EÜ.

Teavitatud asutus: DEKRA Certification B.V. Meander 1051 / P.O. box 5185 6525 MJ ARNHEM / 6802 ED ARNHEM, Netherlands

Teavitatud asutuse number: 0344

Peter Melrose
EGO Europe GmbH tegevjuht

Dong Jianxun
Chevroni kvaliteedijuht

* (CHERVONI volitatud esindaja ja tehniliste dokumentide eest vastutav isik)

01/09/2017

TÕRKEOTSING

| PROBLEEM | PÕHJUS | LAHENDUS |
|---|---|---|
| Ei käivitu. | <ul style="list-style-type: none"> ■ Akuplokk pole võsalõikuriga ühendatud. ■ Võsalõikuri ja akuploki vahel puudub elektriline ühendus. ■ Akuplokk on tühi. ■ Lukustushooba ja päästikut ei vajutatud samaaegselt. | <ul style="list-style-type: none"> ■ Kinnitage akuplokk toitepea külge. ■ Eemaldage aku, kontrollige kontakte ja paigaldage akuplokk uuesti oma kohale nii, et kõlab plõksatus. ■ Laadige akuplokki mõne selles kasutusjuhendis nimetatud EGO laadijaga. ■ Võsalõikuri sisselülitamiseks vajutage lukustushooba ja hoidke seda all ning seejärel suruge päästik alla. |
| Peatub. | <ul style="list-style-type: none"> ■ Mootor on ülekoormatud ■ Kasutatakse tugevat jõhvi. ■ Akuplokk või võsalõikur on liiga kuum. ■ Akuplokk on tööriista küljest lahti ühendatud. ■ Akuplokk on tühi. | <ul style="list-style-type: none"> ■ Mootori võimsus taastub koormuse eemaldamisel. Järgepidevaks töötamiseks vähendage tööriistapea koormust. ■ Kasutage standardset nailonist jõhvi, mille diameeter pole suurem kui 2,4mm. ■ Jahutage akuplokki või toitepead, kuni temperatuur langeb alla 67 °C. ■ Paigaldage akuplokk tagasi. ■ Laadige akuplokki mõne selles kasutusjuhendis nimetatud EGO laadijaga. |
| Trimmeripea ei anna jõhvi ette (ainult tripperipea kasutamisel) | <ul style="list-style-type: none"> ■ Muru on ummistanud mootori võlli või trimmeripea. ■ Pooli ümber pole piisavalt jõhvi. ■ Trimmeripea on määrdunud. ■ Jõhv on pooli ümber sõlme läinud. ■ Jõhv on liiga lühike. | <ul style="list-style-type: none"> ■ Seisake seade, ühendage aku lahti ja eemaldage mootori võlli ja trimmeripea ümber kogunenud muru. ■ Eemaldage aku ja vahetage jõhv välja, järgides käesoleva juhendi alapunktis „JÕHVI VAHETAMINE“ esitatud juhiseid. ■ Eemaldage aku ja puhastage pool ning pooli pesa ja alus. ■ Eemaldage aku ning kerige jõhv pooli pealt maha ja tagasi, järgides käesoleva juhendi alapunktis „JÕHVI VAHETAMINE“ esitatud juhiseid. ■ Eemaldage aku ja tõmmake jõhvi, ning vajutage samaaegselt mitu korda lõikepea muhu peale. |

ET

GARANTII

EGO GARANTIIPÕHIMÕTTED

Täielikud EGO garantiitingimused leiate veebilehelt egopowerplus.com.

ПРОЧИТАЙТЕ ВСІ ІНСТРУКЦІЇ



ПРОЧИТАЙТЕ ПОСІБНИК З ЕКСПЛУАТАЦІЇ

⚠ Залишковий ризик! Люди з електронними пристроями, наприклад кардіостимуляторами, повинні проконсультуватися зі своїм лікарем (лікарями) перед використанням цього виробу. Експлуатація електрообладнання в безпосередній близькості від кардіостимулятора може спричинити перешкоди або несправність кардіостимулятора.

⚠ ПОПЕРЕДЖЕННЯ. Для гарантування безпеки та надійності всі роботи з ремонту та заміни повинен проводити кваліфікований технічний спеціаліст.

СИМВОЛИ, ЩО СТОСУЮТЬСЯ БЕЗПЕКИ

Мета символів, пов'язаних із безпекою, – привернути вашу увагу до можливих небезпек. Символи безпеки та їхнє пояснення заслуговують на вашу пильну увагу та розуміння. Символи попереджень самі по собі не усувають будь-якої небезпеки. Інструкції та попередження, які вони надають, не замінюють належних заходів щодо запобігання аваріям.

⚠ ПОПЕРЕДЖЕННЯ. Перш ніж користуватися цим інструментом, обов'язково ознайомтеся з усіма інструкціями з безпеки, наведеними в цьому посібнику користувача, зокрема з усіма символами попереджень, такими як «НЕБЕЗПЕКА», «ПОПЕРЕДЖЕННЯ» та «ЗАСТЕРЕЖЕННЯ». Недотримання наведених нижче вказівок може спричинити ураження електричним струмом, пожежу та/або серйозні травми.

ЗНАЧЕННЯ СИМВОЛУ

⚠ СИМВОЛ ПОПЕРЕДЖЕННЯ ЩОДО БЕЗПЕКИ: Вказує на НЕБЕЗПЕКУ, ПОПЕРЕДЖЕННЯ АБО ЗАСТЕРЕЖЕННЯ. Може використовуватися разом з іншими символами або піктограмами.



⚠ ПОПЕРЕДЖЕННЯ. Використання будь-яких електроінструментів може призвести до потрапляння сторонніх предметів в очі, що може спричинити серйозне пошкодження очей. Перед початком експлуатації електроінструмента завжди надягайте закриті захисні окуляри або відкриті захисні окуляри з бічними щитами та, якщо потрібно, повнопрофільну захисну маску. Ми рекомендуємо захисну маску широкого розміру для використання поверх окулярів або стандартні відкриті захисні окуляри з бічними щитами.

ВКАЗІВКИ З ТЕХНІКИ БЕЗПЕКИ

На цій сторінці зображено та описано символи, пов'язані з безпекою, які можуть відобразитися на цьому виробі. Перш ніж намагатися зібрати та експлуатувати його, ознайомтеся з усіма інструкціями на машині та дотримуйтеся їх.

| | | |
|--|--|--|
| | Попередження щодо безпеки | Вказує на потенційну небезпеку травмування. |
| | Прочитайте посібник користувача | Щоб зменшити ризик травми, користувач повинен ознайомитися з інструкцією користувача перед використанням цього виробу. |
| | Надягайте засоби захисту очей | Працюючи з цим виробом, завжди носіть закриті захисні окуляри чи відкриті захисні окуляри з бічними щитами або повнопрофільну захисну маску. |
| | Надягайте засоби захисту органів слуху | Завжди використовуйте звукові бар'єри (вушні пробки або глушники для вух), щоб захистити слух. |

| | | |
|--|---|--|
| | Надягайте засоби захисту голови | Носіть схвалений захисний шолом для захисту голови. |
| | Надягайте захисні рукавиці. | Під час роботи з лезом і щитком леза одягайте рукавиці для захисту рук. Міцні рукавички з неслизького матеріалу поліпшують хват і захищають руки. |
| | Надягайте захисне взуття | Використовуючи таке обладнання, одягайте неслизьке захисне взуття. |
| | Остерігайтеся упору леза | Попередьте оператора про небезпеку упору леза. |
| | Небезпека рикошету, тримайте сторонніх спостерігачів подалі | Відкинуті предмети можуть відрикошетитись і призвести до травм або пошкоджень майна. Переконайтеся, що інші люди та домашні тварини залишаються на відстані від кушоріза, коли він використовується. |
| | Тримайте сторонніх подалі | Переконайтеся, що інші люди та домашні тварини залишаються на відстані принаймні 15 м від лісового тримера, коли він використовується. |
| | Кругле лезо не використовується | Не встановлюйте кругові різальні леза. |
| | Не залишайте під дощем | Не використовуйте цей пристрій у дощ і не залишайте його в дощ надворі. |

| | | |
|----------|--------------------------|--|
| | CE | Цей виріб відповідає чинним директивам ЄС. |
| | WEEE | Відходи електричних виробів не слід викидати разом із побутовим сміттям. Зверніться до авторизованого пункту переробки. |
| | Шум | Гарантований рівень звукової потужності. Розповсюдження шуму в навколишнє середовище згідно з директивою Європейського співтовариства. |
| V | Вольти | Напруга |
| | Постійний струм | Тип або характеристика струму |
| n_0 | Швидкість холостого ходу | Обертova швидкість без навантаження |
| ... /min | На хвилину | Обертів на хвилину |

ВАЖЛИВІ ВКАЗІВКИ ЩОДО БЕЗПЕКИ

⚠ ПОПЕРЕДЖЕННЯ! Під час використання цього виробу необхідно завжди дотримуватись основних правил техніки безпеки для зниження ризику виникнення пожежі, ураження струмом та тілесних ушкоджень, включно з наведеними нижче.

ПРОЧИТАЙТЕ УВАЖНО ПЕРЕД ВИКОРИСТАННЯМ

ЗБЕРІГАЙТЕ ДЛЯ ПОДАЛЬШОГО КОРИСТУВАННЯ

⚠ НЕБЕЗПЕКА! Не покладайтеся на захист ізоляції інструмента від удару електричним струмом. Щоб зменшити ризик ураження електричним струмом, ніколи не експлуатуйте машину поблизу будь-яких проводів або кабелів (живлення та ін.), які можуть бути під напругою.

UK

⚠ ОБЕРЕЖНО! Носіть відповідні засоби захисту органів слуху під час використання. За певних умов і тривалості використання шум від цього виробу може сприяти втраті слуху.

НАВЧАННЯ

- Уважно прочитайте інструкцію. Ознайомтеся з органами керування та правилами належного користування кущорізом.
- Не дозволяйте користуватися цим інструментом особам, які не ознайомилися з інструкцією з експлуатації, і дітям. Місцеві нормативні акти можуть обмежувати вік оператора.
- Пам'ятайте, що оператор або користувач несе відповідальність за нещасні випадки або збитки, заподіяні іншим особам чи їх майну.

ПІДГОТОВКА

- Не використовуйте цей виріб, якщо поблизу є люди, особливо діти, або домашні тварини.
- Завжди одягайте засоби захисту очей і захисне взуття під час роботи з цим виробом.
- Відстань між інструментом і сторонніми спостерігачами має бути не менше 15 м.

ЕКСПЛУАТАЦІЯ

- Працюйте з кущорізом лише при денному світлі або при гарному штучному світлі.
- Ніколи не користуйтеся кущорізом із пошкодженими захисними пристроями чи щитками або без установлених захисних щитків.
- Вмикаючи мотор, упевніться, що ви тримаєте руки та ноги на відстані від ріжучих елементів.
- Завжди відключайте кущоріз від джерела живлення (тобто виймайте акумуляторну батарею).
 - щоразу, коли залишаєте кущоріз без нагляду;
 - перед очищенням засмічення;
 - перед перевіркою, очищенням кущоріза або роботою з ним;
 - після зіткнення зі стороннім предметом;
 - коли кущоріз починає незвично вібрувати.
- Остерігайтеся травмування ніг і рук різальними засобами.
- Завжди стежте за тим, щоб вентиляційні отвори були чистими й не засміченими.

UK

ТЕХНІЧНЕ ОБСЛУГОВУВАННЯ ТА ЗБЕРІГАННЯ

- Відключайте кущоріз від джерела живлення (наприклад, виймайте вилку з розетки або виймайте вимикач) перед обслуговуванням або очищенням.
- Використовуйте лише рекомендовані виробником запасні деталі та приладдя.
- Регулярно оглядайте кущоріз і виконуйте його обслуговування. Доручайте ремонт інструмента лише вповноваженому спеціалісту з ремонту.
- Коли кущоріз не використовується, тримайте його в недосяжному для дітей місці.

ІНШІ ПОПЕРЕДЖЕННЯ ЩОДО БЕЗПЕКИ

- **Тримайте дітей подалі.** Усі глядачі повинні перебувати на відстані принаймні 30 метрів від робочої зони.
- **Уникайте небезпечних середовищ.** Не використовуйте прилади на вологих або мокрих схилах.
- **Завжди вимикайте кущоріз або виймайте акумулятор, коли ви залишаєте інструмент без нагляду.**
- **Не використовувати в дощ.**
- **Одягайтесь правильно.** Не одягайте вільний одяг, ювелірні прикраси, короткі штани, сандалі й не ходіть босоніж. Вони можуть потрапити в рухомі частини. Завжди носіть важкі, довгі штани та сорочку з довгими рукавами. Гумові рукавички та міцне взуття рекомендуються під час роботи надворі. Одягніть захисне покриття для волосся, щоб утримувати довге волосся та закріпити волосся вище рівня плеча.
- **Використовуйте захисні окуляри.** Завжди використовуйте маску для обличчя або пилу, якщо робота передбачає утворення пилу.
- **Використовуйте правильний інструмент.** Не використовуйте інструмент для будь-якої роботи, крім тієї, для якої його призначено.
- **Не застосовуйте силу до кущоріза.** Він виконуватиме свою роботу краще і з меншою вірогідністю травмування при швидкості, для якої його розроблено.
- **Не дотягуйтеся.** Завжди міцно стійте на ногах і втримуйте рівновагу.
- **Будьте напоготові.** Слідкуйте за тим, що ви робите. Послугуйтеся здоровим глуздом. Не використовуйте кущоріз, коли ви втомились.
- **Не експлуатуйте кущоріз, якщо ви перебуваєте під впливом алкоголю або медикаментів.**

- **Запобіжники мають бути на місці та в робочому стані.**
- **Тримайте руки та ноги подалі від місця різання.**
- **Зберігайте кущоріз у приміщенні.** Коли він не використовується, кущоріз має зберігатися у приміщенні в сухому та високо розташованому або замкненому місці зі знятим акумулятором у недоступному для дітей місці.
- **Обережно поводьтеся з кущорізом.** Тримайте ріжучий пристрій чистим для найкращої продуктивності та зменшення ризику травмування. Дотримуйтесь інструкцій із заміни аксесуарів. Підтримуйте руків'я сухими, чистими, без жиру і бруду.
- **Перевірте наявність пошкоджених деталей.** Перед подальшим використанням інструмента ретельно перевірте запобіжник або інші деталі на наявність пошкоджень, щоб визначити, чи працюватимуть вони бездоганно та виконуватимуть функцію, для якої призначені. Перевірте центрування та можливе заїдання рухомих деталей, розламування деталей, кріплення та інші умови, які можуть вплинути на роботу інструмента. Щиток чи іншу пошкоджену деталь потрібно належно відремонтувати або замінити у повноваженому сервісному центрі, якщо в цій інструкції не вказано інше.
- **Переконайтеся, що всі кріплення на місці та надійно зафіксовані. Переконайтеся, що щиток насадки-кущоріза правильно прикріплено в рекомендованому виробником місці.**
- **Очищуйте ділянку підрізання перед кожним використанням.** Видаліть усі предмети, такі як камені, бите скло, цвяхи, дроти або мотузки, які можуть бути відкинуті або затягнуті в ріжуче обладнання. Приберіть із робочої області дітей, сторонніх і домашніх тварин. Принаймні тримайте дітей, сторонніх і домашніх тварин на відстані принаймні 15 м (50 футів); За межами зони радіусом 15 м (50 футів) усе ще існує ризик травмування відкинутими предметами. Стороннім спостерігачам слід рекомендувати носити засоби захисту очей.
- **Перш ніж користуватись кущорізом і після того, як стався будь-який удар, інструмент слід перевірити на предмет зношення або пошкодження і, в разі потреби, провести ремонт.**
- **Під час роботи завжди тримайте кущоріз міцно, обома руками за рукоятки. Охопіть рукоятки пальцями.**
- **Уникайте випадкового запуску.** Не переносьте кущоріз, поклавши палець на тригер.
- **Не використовуйте кущоріз у загазованій або вибухонебезпечній атмосфері.** Мотори цих приладів зазвичай випускають іскри, які можуть спричинити займання випарів.
- **Пошкодження кущоріза.** Якщо ви натрапили на сторонній предмет кущорізом або він застряг, зупиніть інструмент негайно, вийміть акумулятор із кущоріза, перевірте пошкодження та забезпечте усунення пошкодження перед будь-якими спробами подальшої експлуатації. Не працюйте зі зламаним щитком або ріжучою насадкою.
- **Якщо обладнання почне незвично вібрувати, вимкніть мотор, вийміть акумулятор із кущоріза й негайно виявіть причину.** Вібрація зазвичай сигналізує про несправність. Незакріплене ріжучий пристрій може вібрувати, тріснути, зламатися або відірватися від кущоріза, що може призвести до серйозних або смертельних травм. Переконайтеся, що ріжучий пристрій правильно встановлено та надійно закріплено. Якщо кріплення ріжучого пристрою послаблюється після фіксації в його положенні, негайно замініть його. Ніколи не використовуйте кущоріз із незакріпленим ріжучим пристроєм.
- **Негайно замініть тріснутий, пошкоджений або зношений ріжучий пристрій, навіть якщо пошкодження являє собою лише поверхневі тріщини.** Такий пристрій може руйнуватися на високій швидкості і призвести до серйозних або смертельних травм.
- **Щоб зменшити ризик отримання травми, ніколи не слід працювати на драбині або на будь-якій іншій небезпечній опорі. Ніколи не тримайте ріжучий пристрій вище висоти пояса.**
- **Ніколи не використовуйте інші дроти замість нейлонової ріжучої ліски, шматочки дроту можуть відірватися і відлетіти на високій швидкості в бік оператора або сторонніх спостерігачів.**
- **Міцно стійте на ногах і тримайте рівновагу.** Не тягніться. Тримайте ріжучий пристрій нижче рівня пояса. Тримайте всі частини тіла якнайдалі від ріжучого пристрою, що обертається.
- **Регулярно перевіряйте ріжучий пристрій через короткі проміжки часу під час роботи, або негайно, якщо помітна зміна в способі різання.**
- **Використовуйте лише схвалені ріжучу ліску та аксесуари EGO, які призначені для використання з цим кущорізом.** Деякі неавторизовані пристрої можуть бути надзвичайно небезпечними та/або пошкоджувати інструменти.

- Перед наближенням зупиніть мотор і ріжучий пристрій.
- Попередьте оператора про небезпеку відкидання леза (лише в разі використання леза з 3 зубцями).
 - Упор леза може мати місце, коли обертове лезо контактує з предметом, який він не зрізає негайно.
 - Упор леза може бути достатньо сильним і відштовхнути прилад і/або користувача в будь-якому напрямку, і, можливо, призвести до втрати контролю над приладом.
 - Упор леза може статися без попередження, якщо лезо налетить на корі, застопориться або заплутається.
 - Упор леза частіше відбуваються в областях, де важко побачити матеріал, що зрізається.
- Не прикріплюйте лезо до приладу без належного встановлення всіх необхідних частин. Використання невідповідних деталей може призвести до вильоту леза та серйозного пошкодження оператора та/або сторонніх спостерігачів. Викидайте лезо, якщо воно зігнулося, деформувалося, тріснуло, зламалося або його пошкоджено будь-яким іншим чином. Використовуйте гостре лезо. Тупе лезо частіше зачіплюється і відкидається (лише в разі використання леза з 3 зубцями).
- Акумуляторну батарею необхідно утилізувати безпечно.
- Лезо/ліска, що рухається, може спричинити пошкодження, коли продовжує обертатися після зупинки мотора або звільнення тригера. Підтримуйте належний контроль, доки лезо/ліска повністю не припинить обертатися.
- Не заряджайте акумуляторну батарею під дощем або у вологих місцях.
- Використовуйте лише акумулятори та зарядні пристрої EGO, перелічені нижче.
- Не викидайте батарею у вогонь. Елементи живлення можуть вибухнути. Перевірте місцеві правила для отримання спеціальних інструкцій з утилізації.
- Не відкривайте й не деформуйте батарею. Вивільнений електроліт є корозійним і може спричинити пошкодження очей або шкіри. Його ковтання може бути токсичним.
- Будьте обережні під час поводження з акумуляторами, щоб не закоротити батарею провідними матеріалами, такими як кільця, браслети та ключі. Акумулятор або провідник можуть перегрітися та спричинити опіки.
- Запчастини. Використовуйте для технічного обслуговування лише ідентичні запчастини EGO. Використання будь-якого іншого аксесуара або насадки може збільшити ризик травми.
- Акумуляторні інструменти не потрібно підключати до електричної розетки; отже, вони завжди в робочому стані. Будьте в курсі можливих небезпек, навіть якщо інструмент не працює. Будьте обережні, виконуючи технічне обслуговування чи догляд.
- Вийміть або від'єднайте акумуляторну батарею перед обслуговуванням, чищенням або видаленням матеріалу з кушоріза.
- Не мийте шлангом; уникайте потрапляння води в мотор та електричні з'єднання.
- Якщо виникають ситуації, які не розглядаються в цьому посібнику, проявляйте обережність і розсудливість. Зверніться до сервісного центру для клієнтів EGO по допомогу.

ЗБЕРЕЖІТЬ ЦЮ ІНСТРУКЦІЮ!

| АКУМУЛЯТОРНА БАТАРЕЯ | ЗАРЯДНИЙ ПРИСТРІЙ |
|---|--------------------|
| BA1120E, BA1400, BA2240E, BA2800, BA3360, BA4200, BAX1300 | CH2100E CH5500E |

UK

- Акумуляторну батарею потрібно вийняти з приладу, перш ніж викидати його.

СПЕЦИФІКАЦІЇ

| | | | |
|---|---------------------------------|---|---|
| Ріжучий пристрій | Головка тримера | Металеве лезо з 3 зубцями | |
| Напруга | 56 V | 56 V | |
| Швидкість холостого ходу | 4500-6000 об./хв | 4500-6000 об./хв | |
| Тип ріжучої ліски | 2,4mm nailoninis susuktas valas | / | |
| Лезо | / | ABB1203 | |
| Ширина різання | 38хв. | 30хв. | |
| Вага (без акумулятора) | 4,35 кг | 4,64 кг | |
| Вимірний рівень звукової потужності LWA | 94,80 дБ(A); K=1,01 дБ(A) | 94,04 дБ(A); K=1,71 дБ(A) | |
| Рівень звукового тиску на місці вуха оператора LPA | 80,2 дБ(A); K=2,5 дБ(A) | 80,0 дБ(A) K=4,1 дБ(A) | |
| Гарантований рівень звукової потужності LWA (виміряно відповідно до 2000/14/EC) | 96 dB(A) | 96 dB(A) | |
| Оцінка вібрації ah: | Ліва ручка | 2,28 м/с ² ; K=1,5 м/с ² | 1,55 м/с ² ; K=1,5 м/с ² |
| | Права ручка | 2,38 м/с ² ; K=1,5 м/с ² | 1,88 м/с ² ; K=1,5 м/с ² |

- Вказане загальне значення вібрації виміряне за стандартним методом тестування і може використовуватися для порівняння одного інструмента з іншим;
- Заявлене сумарне значення вібрації може також використовуватись для попередньої оцінки впливу.

ПРИМІТКА. Емісія вібрації під час фактичного використання електроінструмента може відрізнятися від заявленої величини, у якій використовується інструмент. Щоб захистити оператора, користувач повинен вдягати рукавички та захисні навушники в реальних умовах використання.

СПИСОК ПРЕДМЕТІВ, ЩО ВХОДЯТЬ У КОМПЛЕКТ

| НАЗВА ДЕТАЛІ | КІЛЬКІСТЬ |
|---------------------------|-----------|
| Кушорізі | 1 |
| Лезо з 3 зубцями з чохлам | 1 |
| Установлення щитка | 1 |
| Гайка | 1 |
| Зовнішній фланець | 1 |
| Шестигранний ключ | 1 |
| Багатофункціональний ключ | 1 |
| Подвійний плечовий ремінь | 1 |
| Посібник користувача | 1 |

ОПИС

ОЗНАЙОМЛЕННЯ З КУЩОРІЗОМ (рис. А)

1. Важіль обмеження швидкості
2. Важіль блокування
3. Болт-баранець
4. Тригер
5. Велосипедна ручка
6. Вал
7. Ріжуча ліска
8. Щиток у зборі
9. Головка тримера
10. Герметичний гвинт
11. Отвір фіксації вала
12. Захисна насадка
13. Багатофункціональний ключ
14. Шестигранний ключ
15. Лезо з 3 зубцями
16. Зовнішній фланець
17. Гайка
18. Кнопка звільнення
19. Гумова прокладка
20. Засувка
21. Електричні контакти
22. Механізм викидання
23. Пряжка ремінця
24. Підкладка на стегно

UK

⚠ ПОПЕРЕДЖЕННЯ. Ніколи не використовуйте інструмент, якщо щиток міцно не закріплено. Щиток завжди має бути на інструменті для захисту користувача.

⚠ ПОПЕРЕДЖЕННЯ. Якщо інструмент обладнано тримерною головкою, на захисний щиток має бути встановлений захисний аксесуар із ріжучою ліскою. Недотримання цієї вимоги може призвести до того, що ріжуча ліска буде занадто довга, і до перевантаження мотора. Ніколи не використовуйте головку тримера без захисного аксесуара.

ЗБИРАННЯ

⚠ ПОПЕРЕДЖЕННЯ. Якщо якісь частини пошкоджені або відсутні, не користуйтеся кущорізом, доки вони не будуть замінені. Використання цього кущоріза з пошкодженими або відсутніми деталями може призвести до серйозних травм.

⚠ ПОПЕРЕДЖЕННЯ. Не намагайтеся вдосконалити кущоріз або застосувати приладдя, не рекомендоване для нього. Кожна така заміна чи переробка є фактом неправильного користування, створює небезпечні умови й загрожує серйозними травмами.

⚠ ПОПЕРЕДЖЕННЯ. Завжди носіть міцні рукавички під час установавлення або зняття щитка або виконання будь-якого технічне обслуговування леза з 3 зубцями або ріжучої ліски. Будьте обережні та оберігайте руки від травмування ріжучою ліскою на захисному аксесуарі або лезом із 3 зубцями.

⚠ ПОПЕРЕДЖЕННЯ. Щоб запобігти випадковому запуску, що може спричинити серйозні травми, завжди виймайте акумуляторну батарею з інструмента під час монтажу деталей або транспортування інструмента.

⚠ ПОПЕРЕДЖЕННЯ. Ніколи не використовуйте інструмент, якщо щиток і велосипедна ручка міцно не закріплені. Недотримання цієї вимоги може призвести до серйозних травм.

УСТАНОВЛЕННЯ ТА РЕГУЛЮВАННЯ ВЕЛОСИПЕДНОЇ РУЧКИ

Кущоріз зберігається у вигляді, показаному на рис. В. Спочатку ослабте болт-баранець на з'єднувальному шарнірі, а потім підніміть велосипедну ручку на 180° навколо вала (рис. С), поверніть її 90° проти годинникової стрілки, щоб вона була навпроти ударної головки (рис. D). Нарешті, переміщайте її назад і вперед, щоб досягти зручного робочого положення, і затягніть болт.

ПРИМІТКА. Дозволяється лише експлуатація інструмента з велосипедною ручкою, розміщеною перпендикулярно валу.

УСТАНОВЛЕННЯ ЩИТКА

Відкрутіть і зніміть два гвинти з основи вала (рис. Е), вирівняйте захисні монтажні отвори з отворами для збирання, а потім закріпіть щиток на основі вала за допомогою двох гвинтів разом із двома пружинними шайбами (рис. F).

Переконайтесь, що захисний щиток закріплений відповідно до рисунків Е і F, будь-яке зворотне кріплення може призвести до великої небезпеки!

ЗАМІНА ТРИМЕРНОЇ ГОЛОВКИ З 3 ЗУБЦЯМИ

Ознайомтеся з тримерною головкою (рис. G) та виконайте дії, як показано на рис. H-1 – H-4 (див. розділ «Заміна ліски»), щоб розібрати тримерну головку. Для встановлення леза виконайте такі дії:

1. Для кріплення металевого ріжучого пристрою (рис. I).
2. Зніміть захисний аксесуар, відкрутивши три гвинти з шайбою (рис. J).
3. Лезо поставляється з футлярю. Перш ніж установлювати лезо на кущоріз, необхідно зняти футляр, від'єднавши затискний дріт від гачка на футлярі (рис. K).

Рис. G-K – див. опис деталей нижче:

| | | | |
|-----|--------------------|-----|-------------------|
| G-1 | Внутрішній фланець | I-3 | Кришка фланця |
| G-2 | Кришка фланця | I-4 | Лезо з 3 зубцями |
| G-3 | Верхній кожух ASSY | I-5 | Зовнішній фланець |
| G-4 | Шайба | I-6 | Гайка |
| G-5 | Гайка | I-7 | Отвір у фланці |
| G-6 | Пружина | J-1 | Лісковий ніж |
| G-7 | Ріжуча ліска | J-2 | Захисний аксесуар |
| G-8 | Нижній корпус ASSY | K-1 | Затискний дріт |
| I-1 | Вал мотора | K-2 | Гачок |
| I-2 | Внутрішній фланець | | |

ПРИМІТКА. Для захисту від травми необхідно одягати рукавички перед будь-якою операцією з лезом із 3 зубцями.

4. Поверніть вал мотора, щоб вирівняти гніздо внутрішнього фланця з отвором кріплення вала в корпусі редуктора (рис. L).
5. Вставте шестигранний гайковий ключ у вирівняні отвори для стабілізації (рис. M).

Рис. L і M – див. опис деталей нижче:

| | | | |
|-----|-------------------------------------|-----|--------------|
| L-1 | Корпус редуктора | L-3 | Вал мотора |
| L-2 | Вирівняні отвори для кріплення вала | M-1 | Стабілізатор |

6. Установіть лезо на приводний вал, переконавшись, що поверхня леза врівень із поверхнею випуклості внутрішнього фланця. Установіть зовнішній фланець та гайку (рис. N). Попередньо закрутіть гайку ПРОТИ ГОДИННИКОВОЇ СТРІЛКИ вручну. Рис. N – див. опис деталей нижче:

| | |
|-----|-------------------|
| N-1 | Гайка |
| N-2 | Зовнішній фланець |
| N-3 | Лезо з 3 зубцями |

7. Поставте корпус редуктора на тверду поверхню для опори. Однією рукою тримайте вал кущоріза, а іншою рукою візьміть багатфункціональний гайковий ключ, щоб затягнути гайку за напрямком стрілки, позначеної на зовнішньому фланці (рис. O).

ВИКОРИСТАННЯ ЗАХИСНОГО АКСЕСУАРА

ПРИМІТКА. Якщо кущоріз використовується обладнано тримерною головкою, захисний аксесуар має бути встановлена на щиток.

Закріпіть захисний аксесуар на щиток, затягнувши три гвинти за допомогою шестигранного ключа, оскільки ріжуча ліска встановлена на захисному аксесуарі. Недотримання

цієї вимоги може призвести до того, що ріжуча ліска буде занадто довга, і до перевантаження мотора.

ЕКСПЛУАТАЦІЯ

⚠ ПОПЕРЕДЖЕННЯ. Знання виробу не має робити вас небалним. Пам'ятайте, що півсекунди неувважності досить для серйозної травми.

⚠ ПОПЕРЕДЖЕННЯ. Завжди носіть засоби захисту органів зору та слуху. Без окулярів ви ризикуєте травмами очей від викинутих предметів та іншими серйозними травмами.

⚠ ПОПЕРЕДЖЕННЯ. Не використовуйте ніякі приладдя чи насадки, не рекомендовані виробником цього пристрою. Використання нерекomenованого приладдя чи насадок може призвести до серйозних травм.

ЗАСТОСУВАННЯ

Ви можете використовувати кущоріз для цілі, зазначеної нижче:

- **3 лезом із 3 зубцями:** Вирізання трави, бур'янів, диких рослин та кущів, вирубання молодих дерев із максимальним діаметром стовбура 2 см.
- **3 головкою тримера:** Обрізання трави та бур'янів навколо веранд, огорож і дерев'яних настилів.

ПРИМІТКА. Цей інструмент має використовуватись тільки за призначенням. Будь-яке інше використання вважається випадком використання не за призначенням.

УСТАНОВЛЕННЯ І ВИДАЛЕННЯ АКУМУЛЯТОРА

Повністю зарядіть перед першим використанням.

Установлення

Вирівняйте виступ на акумуляторі з кріпильними отворами та натисніть на акумуляторну батарею, доки не почуєте «кляцання» (рис. P).

Видалення

Натисніть кнопку звільнення акумулятора та витягніть акумуляторну батарею (рис. Q).

Рис. P – див. опис деталей нижче:

| | |
|-----|---------------------|
| P-1 | Отвір для кріплення |
| P-2 | Виступ |

КРІПЛЕННЯ ПОДВІЙНОГО ПЛЕЧОВОГО РЕМЕНЯ ТА ТРИМАННЯ ІНСТРУМЕНТА

Покладіть подвійний плечовий ремінь на себе та з'єднайте дві частини пряжки, доки не почуєте кляцання (рис. R-1). Вирівняйте гачок фіксатора з отвором кріплення трубки, закріпленим на валу, і натисніть на вал (рис. R-2, R-3 і R-4).

Тримайте лісовий тример обома руками справа від себе (рис. S). Головка тримера або лезо має бути паралельною землі на достатній відстані для різання, оператор не повинен нагинатися.

Кущоріз можна звільнити двома способами: розімкніть пряжку ремінця (рис. T) або натисніть на гачок ремінця та зніміть його з кріплення трубки, закріпленого на валу (див. рис. R-2).

⚠ ПОПЕРЕДЖЕННЯ. Коли виникає надзвичайна ситуація, негайно зніміть його з плеча, незалежно від того, яким способом закріплено ремінець. Спосіб швидкого звільнення полягає в розімкненні пряжки ремінця (рис. T) і його зняття обома руками з плечей з обох боків.

⚠ ПОПЕРЕДЖЕННЯ. Не слід одночасно використовувати одинарний і подвійний плечовий ремінь.

UK

ЗАПУСК/ЗУПИНЕННЯ КУЩОРІЗА

Початок

Натисніть важіль блокування та утримуйте його в такому положенні. Натисніть на тригер, щоб запустити (рис. U).

Різний тиск на тригер призводить до змінної швидкості обертання ріжучого пристрою. За необхідності відрегулюйте важіль обмеження швидкості, щоб установити максимальну швидкість.

ПРИМІТКА. Важіль обмеження швидкості також може бути попередньо встановлено, щоб обмежити хід тригера.

Зупинка

Відпустіть тригер

▲ ПРИМІТКА. Мотор працює лише тоді, коли важіль блокування та тригер натиснуто.

▲ ПОПЕРЕДЖЕННЯ. Завжди виймайте акумуляторну батарею з ліскового тримера під час перерв у роботі та після закінчення роботи.

ВИКОРИСТАННЯ ВИРОБУ

ПОПЕРЕДЖЕННЯ. Одягайтеся правильно, щоб зменшити ризик травми під час роботи з кущорізом. Не носіть вільного одягу або прикрас. Одягайте захисні окуляри та навушники. Носіть міцні, довгі штани, взуття та рукавички. Не носіть короткі штани, сандалі, не працюйте босоніж.

Перед початком експлуатації озирніться навколо, щоб переконатися в безпеці в робочій зоні та відсутності інших людей, тварин або будь-яких зайвих предметів. Переконайтеся, що вони перебувають на відстані не менше 15 м. Потім перевірте захист очей, правильний одяг та рівновагу.

Перед кожним використанням перевірте наявність пошкоджених/зношених деталей. Перевірте головку тримера, лезо з 3 зубцями, щиток, захисну насадку, велосипедну ручку і подвійний плечовий ремінь, а також замініть будь-які частини, які тріснули, викривлені, зігнуті або пошкоджені. Ріжучий лісковий ніж на краю захисного аксесуара може затупитися з часом. Рекомендується періодично заточувати його за допомогою напилка або замінити його на нове лезо.

UK

Після кожного використання очистьте кущоріз

ВИКОРИСТАННЯ З ТРИМЕРНОЮ ГОЛОВКОЮ

Регулювання довжини ріжучої ліски

Тримерна головка дає оператору змогу випускати більше ріжучої ліски, не зупиняючи мотор. Коли ліска стирається або зношується, можна випустити додаткову ліску, злегка вдаривши ударну ручку об землю під час роботи з тримером (рис. V).

ПРИМІТКА. Випуск ліски стане складнішим, коли ріжуча ліска стане закороткою.

▲ ПОПЕРЕДЖЕННЯ. Не видаляйте та не змінюйте ріжуче лезо в зборі. Надмірна довжина ліски призведе до перегріву мотора та може спричинити серйозні травми.

ЗАМІНА ЛІСКИ

ПРИМІТКА. Завжди використовуйте рекомендовану нейлонову ріжучу ліску з діаметром, що не перевищує 2,4 мм. Використання іншої ліски, відмінної від указаної, може спричинити перегрівання кущоріза або його пошкодження.

▲ ПОПЕРЕДЖЕННЯ. Ніколи не використовуйте металеву ліску, дріт або канат тощо. Вони можуть зламатися і стати небезпечними снарядами.

1. Вийміть акумуляторну батарею.
2. Видаліть залишкову ріжучу ліску, якщо це необхідно.
3. Поверніть фіксатор котушки в напрямку, указаному стрілкою, якщо необхідно, щоб вирівняти лінію НАВАНТАЖЕННЯ на фіксаторі котушки з вушками на основі котушки (рис. W-1).
4. Відріжте 5 м ріжучої ліски, вставте ліску в кріпильний отвір усередині вушка (рис. W-2). Натисніть і витягніть ліску з іншої сторони, доки не з'явиться рівна кількість ліски з обох боків котушки (рис. W-3).
5. Натискайте, обертаючи фіксатор котушки в напрямку стрілки, щоб намотати ліску на котушку, доки на кожній стороні не з'явиться приблизно 14 см ліски (рис. W-4).
6. Натисніть на фіксатор котушки, тягнучи за ліску, щоб просувати ліску вручну, і перевірте, чи тримерну головку зібрано правильно.

Коли ріжуча ліска виривається з лінійного отвору або ріжуча ліска не випускається під час удару тримерної головки, виконайте такі кроки:

1. Вийміть акумуляторну батарею.
2. Натисніть на фіксатори тримача котушки та зніміть тримач котушки, витягнувши його (рис. H-1 і H-2).
3. Видаліть ріжучу ліску з тримача котушки.

4. Тримавши однією рукою основу котушки, іншою рукою візьміть тримач котушки і вирівняйте фіксатори на тримачі котушки з отворами на основі котушки (рис. X-1); долонею натисніть і повертайте тримач котушки ліворуч і праворуч, доки фіксатори не скріпляться з основою котушки (рис X-2).
5. Заправте ріжучу ліску.

ВИКОРИСТАННЯ З МЕТАЛЕВИМ ЛЕЗОМ ІЗ 3 ЗУБЦЯМИ

⚠ ПОПЕРЕДЖЕННЯ. Щоб обрізати дикі рослини та кущі, опустіть лезо з 3 зубцями, що обертається, вниз на рослини, щоб досягти ефекту подрібнення. Використовуйте кущоріз як косу (водіть ним вправо і вліво) на рівні землі. Не використовуйте ріжучий пристрій вище висоти пояса.

⚠ ПОПЕРЕДЖЕННЯ. Що вище ріжучий пристрій піднято над землею, то більший ризик травмування відкинутими вбік обрізками.

⚠ ПОПЕРЕДЖЕННЯ. Під час зрізання молодих дерев або інших деревних матеріалів діаметром до 2 см використовуйте ліву частину леза, щоб уникнути ситуації упору леза. Не намагайтеся розрізати деревний матеріал із більшим діаметром, оскільки лезо може застрягнути чи відштовхнути кущоріз уперед. Це може призвести до пошкодження леза чи кущоріза або втрати контролю над кущорізом, що спричинить травмування.

⚠ ПОПЕРЕДЖЕННЯ. Неправильне використання леза може спричинити його розтріскування, розколювання або розламування. Відкинуті деталі можуть серйозно пошкодити оператора або сторонніх спостерігачів. Щоб зменшити ризик травмування, необхідно вжити таких запобіжних заходів:

- Уникайте контакту з жорсткими або твердими сторонніми предметами, такими як каміння або шматки металу.
- Ніколи не обрізайте дерева або кущі з діаметром стовбура більше 2 см.
- Регулярно перевіряйте лезо через короткі проміжки часу на наявність ознак пошкодження. Не продовжуйте працювати з пошкодженим лезом.
- Регулярно заточуйте лезо (коли воно помітно затупилося), і, якщо необхідно, забезпечте його балансування (виконується кваліфікованим технічним працівником).

Упор леза

Будьте надзвичайно обережними під час використання леза з 3 зубцями з цим приладом. Упор леза – це реакція, яка може статися, коли лезо, що обертається, контактує з будь-чим, що воно не може розрізати. Цей контакт може призвести до зупинки леза на мить і раптового «відштовхування» приладу від предмета, на який він натрапив. Ця реакція може бути достатньо сильною, щоб оператор утратив контроль над приладом. Упор леза може статися без попередження, якщо лезо налетить на корчі, застопориться або заплутається. Це частіше відбувається в областях, де важко побачити матеріал, що зрізається. Для полегшення різання та безпеки наближайтесь до бур'янів, які ви зрізаєте кущорізом, справа наліво. У випадку натрапляння на непередбачений предмет або деревну колоду це може звести до мінімуму реакцію упору леза.

ТЕХНІЧНЕ ОБСЛУГОВУВАННЯ

⚠ ПОПЕРЕДЖЕННЯ. Перед оглядом, чищенням або обслуговуванням пристрою зупиніть двигун, почекайте доки всі рухомі частини зупиняться, і вийміть акумуляторну батарею. Недотримання цих інструкцій може призвести до серйозних персональних травм або пошкодження майна.

⚠ ПОПЕРЕДЖЕННЯ. Використовуйте для технічного обслуговування лише ідентичні запчастини. Використання будь-яких інших частин створює небезпеку або може призвести до поломки виробу. Для гарантування безпеки та надійності всі ремонтні роботи повинен проводити кваліфікований технічний спеціаліст.

ЗАГАЛЬНИЙ ТЕХНІЧНИЙ ДОГЛЯД

Не застосовуйте розчинники, коли чистите пластмасові деталі. Більшість пластмас чутливі до різноманітних промислових розчинників і можуть бути ними пошкоджені. Для видалення бруду, пилу, мастила тощо користуйтеся чистою ганчіркою.

ЧИЩЕННЯ ІНСТРУМЕНТА

- Після кожного використання леза з 3 зубцями/тримерної головки очистьте сміття, забиті ґрунт або траву на ножі та щитку м'якою щіткою.

ПРИМІТКА. Коли ріжуча ліска затуплюється, заточіть її (виконується кваліфікованим технічним персоналом) або замініть її на нову ріжучу ліску.

- Після кожного використання кущоріза очищайте ріжучий пристрій за допомогою вологої тканини з м'яким миючим засобом.

- Не використовуйте сильні миючі засоби на пластиковому корпусі або ручці. Вони можуть бути пошкоджені деякими ароматичними маслами, наприклад хвойним і лимонним, а також розчинниками, такими як гас. Вологість також може становити небезпеку удару. Обережно протріть вологу м'якою сухою тканиною.
- Використовуйте невелику щітку або невеликий пілосос для очищення вентиляційних отворів ззаду на корпусі.

ЗБЕРІГАННЯ ІНСТРУМЕНТА

- Вийміть акумуляторну батарею з інструмента.
- Одягніть міцні рукавички, щоб ретельно очистити інструмент.
- Засуньте лезо з 3 зубцями у футляр для безпечного зберігання (рис. Y).
- Зберігайте пристрій у сухому, добре вентильованому, закритому або високо розташованому недоступному для дітей місці. Не зберігайте інструмент біля мінеральних добрив, бензину та інших хімікатів.

Захист довкілля



Не викидайте електричне обладнання, зарядний пристрій та батарейки/акумулятори в побутові відходи!

Відповідно до європейського закону 2012/19/ЄС електричне та електронне обладнання, яке більше не придатне для використання, і згідно з європейським законом 2006/66/ЄС дефектні або використані акумуляторні батареї мають збиратись окремо.

Якщо електричний пристрій утилізується на сміттєзвалищі, небезпечні речовини можуть вилетіти в ґрунтові води та потрапити в харчовий ланцюг, що може зашкодити вашому здоров'ю та самопочуттю.

ДЕКЛАРАЦІЯ ПРО ВІДПОВІДНІСТЬ СТАНДАРТАМ ЄС



Ми, EGO EUROPE GMBH

Wahlwiesenstrasse 1, D-71711 Steinheim an der Murr, Німеччина

Заявляємо, що виріб **56-вольтний літій-іонний куцорізі із заднім мотором і велосипедною ручкою BC3800E** відповідає суттєвими вимогами щодо охорони здоров'я та безпеки, що пред'являються такими директивами:

2006/42/EC, 2014/30/EU, 2011/65/EU, 2000/14/EC

Стандарти і технічні характеристики, на які наведено посилання:

EN ISO 11806-1, EN 60745-1, EN 55014-1, EN 55014-2, IEC 62321.

| | Головка тримера | Металеве лезо з 3 зубцями |
|---|-----------------|---------------------------|
| Вимірний рівень звукової потужності: | 94,80 дБ(A) | 94,04 дБ(A) |
| Рівень звукового тиску на місці вуха оператора: | 96 дБ(A) | 96 дБ(A) |

Процедура оцінки відповідності, описана в Додатку VI, дотримана відповідно до 2000/14/EC.

Уповноважений орган: DEKRA Certification B.V. Meander 1051 / P.O. box 5185 6525 MJ ARNHEM / 6802 ED ARNHEM, Нідерланди

Номер уповноваженого органу: 0344

Peter Melrose
Керуючий директор компанії
EGO Europe GmbH

Dong Jianxun
Менеджер із якості
Chervon

* (Уповноважений представник CHERVON і відповідальний за технічну документацію)

01/09/2017

UK

300

56-ВОЛЬТНИЙ ЛІТІЙ-ІОННИЙ КУЦОРІЗІЗ ЗАДНІМ МОТОРОМ І ВЕЛОСИПЕДНОЮ РУЧКОЮ — BC3800E

УСУНЕННЯ НЕСПРАВНОСТЕЙ

| НЕСПРАВНІСТЬ | ПРИЧИНА | ВИРІШЕННЯ |
|------------------------|---|--|
| Не вдається запустити. | <ul style="list-style-type: none"> ■ Акумуляторна батарея не приєднана до кущоріза. ■ Немає електричного контакту між кущорізом та акумуляторною батареєю. ■ Акумуляторна батарея розряджена. ■ Важіль блокування та тригер не натиснуто одночасно. | <ul style="list-style-type: none"> ■ Прикріпіть акумулятор до приводної головки. ■ Вийміть акумулятор, перевірте контакти та встановіть акумулятор знову, доки він не зафіксується. ■ Заряджайте акумулятор зарядними пристроями EGO, переліченими в цьому посібнику. ■ Натисніть важіль блокування та утримуйте її, а потім натисніть на тригер, щоб увімкнути кущоріз. |
| Припиняє роботу. | <ul style="list-style-type: none"> ■ Мотор перевантажено. ■ Використовується важка ріжуча ліска. ■ Акумулятор або кущоріз занадто гарячий. ■ Акумулятор від'єднано від інструмента. ■ Акумуляторна батарея розряджена. | <ul style="list-style-type: none"> ■ Мотор відновить роботу, коли навантаження буде усунуто. Для безперервної роботи зменште навантаження на приводну головку. ■ Використовуйте стандартну нейлонову ріжучу ліску з діаметром не більше 2,4 мм. ■ Дайте акумуляторній батареї або приводній головці охолонути, доки температура не опуститься нижче 67 °С. ■ Знову встановіть акумуляторну батарею. ■ Заряджайте акумулятор зарядними пристроями EGO, переліченими в цьому посібнику. |

| НЕСПРАВНІСТЬ | ПРИЧИНА | ВИРІШЕННЯ |
|---|--|---|
| <p>Тримерна головка не висовує ліску (використовується тільки з тримерною головкою)</p> | <ul style="list-style-type: none"> ■ У валі мотора або головці тримера застрягла трава. ■ На катушці бракує ліски. ■ Тримерна головка брудна. ■ Ліска заплуталася в катушці. ■ Ліска занадто коротка. | <ul style="list-style-type: none"> ■ Зупиніть інструмент, вийміть акумулятор і витягніть траву з вала мотора та головки тримера. ■ Вийміть акумулятор і замініть ріжучу ліску; дотримуйтеся вказівок у розділі «ЗАМІНА ЛІСКИ» в цьому посібнику. ■ Вийміть акумулятор і очистьте тримач катушки та основу катушки. ■ Зніміть акумулятор, витягніть ліску з тримача катушки та перемотайте; дотримуйтеся вказівок у розділі «ЗАМІНА ЛІСКИ» в цьому посібнику. ■ Вийміть акумулятор і витягніть ліску, поперемінно натискаючи та відпускаючи тримерну головку. |

ГАРАНТІЯ

ПРАВИЛА ГАРАНТІЇ EGO

Будь ласка, відвідайте веб-сайт egopowerplus.com для отримання повних умов гарантійної політики EGO.

ПРОЧЕТЕТЕ ВСИЧКИ ИНСТРУКЦИИ!



Прочетете ръководството на оператора

⚠️ Остатъчен риск! Хора с електронни устройства, като пейсмейкър трябва да се консултират с лекуващия(те) си лекар(и) преди употреба на този продукт. Работата с електрическо оборудване в непосредствена близост до сърденчен пейсмейкър може да предизвика смущение или неизправност на пейсмейкъра.

⚠️ ПРЕДУПРЕЖДЕНИЕ: За да осигурите безопасността и надеждността, всички поправки и подмени трябва да се извършват от квалифициран сервизен техник.

СИМВОЛИ ЗА БЕЗОПАСНОСТ

Целта на символите за безопасност е да превличат вниманието към възможни опасности. Символите за безопасност и обясненията към тях заслужават вашето повишено внимание и осъзнаване. Символите за безопасност сами по себе си не елиминират каквато и да е опасност. Инструкциите и предупрежденията, които предоставят не са заместители за подходящите мерки за предотвратяване на инцидент.

⚠️ ПРЕДУПРЕЖДЕНИЕ: Уверете се, че сте прочели и осъзнали всички инструкции за безопасност в това Ръководство на оператора, включително всички известяващи символи за безопасност, като **“ОПАСНОСТ,” “ПРЕДУПРЕЖДЕНИЕ,”** и **“ВНИМАНИЕ”** преди да използвате този инструмент. Неспазването на всички инструкции изброени долу може да доведе до електрически шок, пожар и/или сериозно нараняване.

ЗНАЧЕНИЕ НА СИМВОЛИТЕ

⚠️ СИМВОЛ СИГНАЛИЗИРАЩ ЗА БЕЗОПАСНОСТ: Показва **ОПАСНОСТ, ПРЕДУПРЕЖДЕНИЕ, ИЛИ ВНИМАНИЕ.** Могат да бъдат използвани във връзка с други символи или пиктограми.







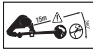



⚠️ ПРЕДУПРЕЖДЕНИЕ:




Експлоатацията на всички електрически инструменти, може да доведе до изхвърляне на чужди предмети към вашите очи, което може да доведе до сериозно нараняване на окото. Преди започване на работа с електрически инструмент, винаги носете предпазни очила със странична защита и визьор за цялото лице, когато е необходимо. Ние препоръчваме предпазна маска с широк визьор за употреба над очила или стандартни предпазни очила със странична защита.

ИНСТРУКЦИИ ЗА БЕЗОПАСНОСТ

Тази страница изобразява и описва символите за безопасност, които може да се появят по този продукт. Прочетете, осъзнайте и следвайте всички инструкции по машината преди предприемане на сглобяване или работа.

| | | |
|--|--------------------------------------|--|
| | Сигнал за безопасност | Показва риска от потенциално нараняване на човек. |
| | Прочетете ръководството на оператора | За намаляване на опасността от нараняване, потребителят трябва да прочете и разбере ръководството на оператора преди използването на този продукт. |
| | Носете защита за очите | Винаги носете предпазни очила със странична защита и предпазен екран за цялото лице, когато работите с този продукт. |
| | Носете защита за слуха | Винаги носете звукова защита (тапи за уши или антифони) за да защитите вашия слух. |
| | Носете защита за главата | Носете одобрена предпазна каска с твърдо бомбе за да предпазите главата. |

| | | |
|---|---|---|
|  | Носете защитни ръкавици | Защитете ръцете си с ръкавици, когато боравите с ножа или предпазителя на ножа. Неплъзгащите се ръкавици за тежка работа подобряват вашия захват и защитават ръцете. |
|  | Носете предпазни ръкавици | Носете неплъзгащи се обувки за безопасност, когато използвате това оборудване. |
|  | Пазете се от тласкане на ножа | Предупредете оператора за опасност от тласкане на ножа. |
|  | Дръжте околните хора надалеч поради рикошет | Изхвърлените обекти могат да рикошират и да доведат до нараняване или щети по собствеността. Уверете се, че други хора и домашни любимци спазват достатъчно разстояние от хростореза, когато го използвате. |
|  | Дръжте околните хора надалеч | Уверете се, че други хора и домашни любимци спазват поне 15 м разстояние от тримера, когато го използвате. |
|  | Без кръгъл нож | Не монтирайте кръгли режещи ножове. |
|  | Не излагайте на дъжд | Не използвайте в дъжд или не го оставяйте навън, когато вали. |
|  | CE | Този продукт е в съответствие с приложимите директиви на ЕС. |

| | | |
|---|-------------------------|---|
|  | WEEE | Отпадъчните електрически продукти не трябва да бъдат изхвърляни заедно с домакинския отпадък. Отнесете го до упълномощено място за рециклиране. |
|  | Шум | Гарантирано ниво на мощност на звука. Звуковите емисии към околната среда са в съответствие с директивите на европейската общност. |
| V | Волта | Напрежение |
|  | Постоянен ток | Вид или характеристика на тока |
| n_0 | Скорост без натоварване | Скорост на въртене без товар |
| ... /min | на минута | Обороти в минута |

ВАЖНИ ИНСТРУКЦИИ ЗА БЕЗОПАСНОСТ

⚠ ПРЕДУПРЕЖДЕНИЕ! Когато използвате този продукт, винаги трябва да бъдат спазвани основни предпазни мерки за безопасност, за да се намали риска от пожар, токов удар и лично нараняване, включвайки следното:

ПРОЧЕТЕТЕ ВНИМАТЕЛНО ПРЕДИ УПОТРЕБА

ЗАПАЗЕТЕ ЗА БЪДЕЩА СПРАВКА

⚠ ОПАСНОСТ! Не разчитайте на изолацията на инструмента срещу токов удар. За да намалите риска от токов удар, никога не работете с машината в близост до жици или кабели (захранващи и др.), които могат да носят електрическо напрежение.

⚠ ВНИМАНИЕ! Носете подходяща защита за слуха по време на употреба. При определени условия и продължителност на употреба, звукът от този продукт може да допринесе за загуба на слуха.

ОБУЧЕНИЕ

- Прочете внимателно инструкциите. Запознайте се с управлението и правилната употреба на машината.

- Никога не позволявайте на хора, непознати с тези инструкции или деца да използват машината. Местните разпоредби могат да ограничат възрастта на оператора.
- Имайте предвид, че операторът или потребителят е отговорен за инциденти или опасности, причинени на други хора или тяхната собственост.

ПОДГОТОВКА

- Никога не работете с този продукт, докато в близост има хора, особено деца или домашни любимци.
- Носете защита за очите и подсилени обувки по всяко време докато работите с този продукт.
- Разстоянието между машината и околните хора трябва да бъде минимум 15 м.

ЕКСПЛОАТАЦИЯ

- Използвайте хростореза единствено на дневна светлина или при добра изкуствена светлина.
- Никога не работете с хростореза с повредени предпазители или екрани или без поставени предпазители или екрани.
- Включете мотора само, когато ръцете и краката са далеч от режещите средства.
- Винаги разединявайте машината от електрическото захранване (примерно махнете акумулаторния комплект).
 - винаги когато оставяте хростореза без наблюдение;
 - преди почистване на задръстване;
 - преди проверка, почистване и работа по хростореза;
 - след удяране на чужд предмет;
 - когато хросторезът започне да вибрира неестествено.
- Вземете предпазни мерки против контузии по краката и ръцете от средствата за рязане.
- Винаги бъдете сигурни, че вентилационните отвори са запазени чисти от отпадъци.

ПОДДРЪЖКА И СЪХРАНЕНИЕ

- Разединете хростореза от захранването (примерно извадете щепсела от електрическата мрежа или извадете активиращото устройство) преди да извършите дейности по поддръжка и почистване.
- Използвайте единствено препоръчани от производителя резервни части и аксесоари.
- Проверявайте и поддържайте хростореза редовно. Ремонтирайте машината единствено в оторизиран сервиз.

- Когато не е в употреба, съхранете хростореза извън достъпа на деца.

ДРУГИ ПРЕДУПРЕЖДЕНИЯ ЗА БЕЗОПАСНОСТ

- **Дръжте децата надалеч** - всички наблюдатели трябва да бъдат държани поне на 100 фута разстояние от зоната на работа.
- **Избягвайте опасни среди** - не използвайте ел. уреди във влажни или мокри места.
- **Винаги изключвайте хростореза или изваждайте акумулатора, когато оставяте инструмента без надзор.**
- **Не използвайте по време на дъжд.**
- **Облечете се правилно** - не носете отпуснати дрехи, бижута, къси панталони, сандали или не ходете боси. Те могат да бъдат захванати от движещите се части. Винаги носете тежки, дълги панталони и блуза с дълги ръкави. Използването на гумени ръкавици и масивни обувки е препоръчително, когато се работи на открито. Носете защитно покривало за косата, за да задържа дългата коса и да осигури косата да е над нивото на раменете.
- **Използвайте очила за безопасност** - винаги носете лицева или прахова маска, ако работата е запрашена.
- **Използвайте правилния инструмент** - не използвайте инструмента за друга работа освен за тази, за която е предназначен.
- **Не претоварвайте хростореза** - той ще свърши работата по-добре и с по-малка вероятност от риск от нараняване при капацитета за който е проектиран.
- **Не се пресягайте** - запазете правилна стойка и баланс по всяко време.
- **Бъдете концентрирани** - внимавайте какво вършите. Използвайте здрав разум. Не работете с хростореза, когато сте изморени.
- **Не работете с хростореза под влияние на алкохол или наркотици.**
- **Дръжте предпазители по местата им в работно състояние.**
- **Дръжте ръцете и краката далеч от зоната на рязане.**
- **Съхранявайте хростореза на закрито** - когато не се използва хростореза трябва да бъде съхранен на закрито, в сухо и високо или заключено място, с извадена акумулаторна батерия - извън достъпа на деца.

- **Поддържайте старателно хростореза** - дръжте приставките за рязане чисти за най-добра производителност и за да намалите риска от нараняване. Следвайте инструкциите за смяна на аксесоари. Дръжте ръкохватките сухи, чисти и без масло и грес.
- **Проверете повредените части** - преди по нататъшно използване на хростореза, предпазителят или друга част, която е повредена трябва да бъде внимателно проверена за да се определи дали ще работи правилно и ще извърши предназначенията функция. Проверете за разместване или блокиране на подвижни части, счупване на части, монтажа и всякакви други условия, които могат да окажат влияние на работата. Предпазител или други части, които са повредени трябва да бъдат правилно поправени или подменени от оторизиран сервизен център освен ако не е посочено друго в това ръководство.
- **Уверете се, че всички закопчалки са по местата си и са осигурени.** Уверете се, че екранът на приставката за рязане е правилно закрепен и е в препоръчаната позиция от производителя.
- **Почистете зоната, която трябва да бъде подрязана преди всяка употреба.** Почистете всички обекти, като камъни, счупени стъкла, пирони, кабели или въжета, които могат да бъдат изхвърлени или да се оплетат в приставката за рязане. Освободете зоната от деца, околните хора или домашни любимци. Като минимум дръжте децата, околните хора и домашните любимци извън радиус от 15 м (50 ft). Извън зоната от 15 м (50 ft) все още съществува риск от нараняване от изхвърлени предмети. Околните наблюдатели трябва да бъдат насърчени да носят защита за очите.
- **Преди да използвате хростореза и след всеки удар, проверете за признаци на износване или щети и поправете, ако е необходимо.**
- **Винаги дръжте здраво хростореза с двете ръце на ръкохватките, когато работите.** Използвайте захват с пръстите и палците си около ръкохватката.
- **Избегнете инцидентно стартиране** - не носете хростореза, когато пръстът ви е на спусъка.
- **Не работете с хростореза в бензинови изпарения или експлозивна атмосфера.** Моторите в тези уреди обикновено подават искра и искрите могат да възпламенят изпаренията.
- **Повреди по хростореза** - ако ударите чужд предмет с хростореза или ако се оплете, спрете незабавно инструмента, извадете акумулатора от хростореза, проверете за повреди и поправете всички щети преди да опитате по нататъшна работа. Не работете със счупен предпазител или приставка за рязане.
- **Ако оборудването започне да вибрира неестествено, спрете мотора, отстранете акумулаторната батерия от хростореза и незабавно проверете за причината.** Вибрациите обикновено са предупреждение за проблем. Разхлабен режещ блок може да вибрира, напука, счупи или да излезе от хростореза, което може да доведе до сериозно или фатално нараняване. Уверете се, че режещият блок е правилно монтиран и сигурно закрепен. Подменете незабавно, ако режещият блок се разхлаби след като сте го закрепили в позиция. Никога не използвайте хростореза с разхлабен режещ блок.
- **Подменете незабавно напукал, повреден или износен режещ блок, дори ако щетите са ограничени до повърхностни пукнатини.** Подобни блокове могат да се пръснат при високи скорости и да причинят сериозно или фатално нараняване.
- **За да намалите риска от нараняване, никога не работете на стълба или на някаква друга несигурна опора. Никога не дръжте режещия блок над нивото на талията.**
- **Не използвайте никога тел вместо найлоновите режещи корди, парчета тел могат да се откъснат и да бъдат изхвърлени с висока скорост към оператора или околните.**
- **Поддържайте стабилна позиция на краката и баланс.** Не се протягайте. Дръжте режещия блок под нивото на талията. Дръжте всички части на своето тяло далеч от въртящия се режещ блок.
- **Проверявайте режещия блок на чести кратки интервали по време на работа или незабавно, ако има забележима промяна в поведението при рязане.**
- **Използвайте единствено оторизирани от EGO полимерни корди за тример и ножови аксесоари, които са проектирани за употреба с този хросторез.** При все това някои неразрешени устройства могат да са изключително опасни и/или да повредят инструментите.
- **Ако бъдете приближен от човек, спрете мотора и режещия блок.**
- **Предупредете оператора за опасност от тласкане на ножа (използвайте само с нож с 3 зъба).**
 - Тласкане на ножа може да се получи, когато въртящият се нож, влезе в контакт с предмет, който не може да отреже незабавно.
 - Тласкането на ножа може да бъде достатъчно силно за да причини уредът и/или операторът да бъдат изхвърлени на всяка посока и вероятно да се загуби контрол върху уреда.
 - Тласкането на ножа може да се случи без предупреждение, ако ножът се блъсне, заседне или се заклепчи.
 - Тласкането на ножа е по вероятно да се случи в зона, където е трудно да видите рязания материал.

- Не закачайте нож на уред, без правилно монтиране на всички необходими части. Неспазването за употреба на правилни части, може да причини излитане на ножа и сериозно да нарани оператора и/или околните стоящи. Изхвърлете от употреба ножове, които са огънати, деформирани, напукани, счупени или повредени по друг начин. Използвайте остър нож. Един тъп нож е по-склонен към засядане или тласкане (използвайте само нож с 3 зъба).
- Акумулаторната батерия трябва да бъде безопасно изхвърлена като отпадък.
- Движещ се по инерция нож/корда, може да причини нараняване, тъй като продължава да се върти след като моторът е спрял или спусъкът е освободен. Упражнявайте правилен контрол, докато ножът/кордата напълно спре да се върти.
- Не зареждайте акумулаторната батерия при дъжд или в мокра среда.
- Използвайте единствено акумулаторни батерии EGO и зарядни устройства изброени по-долу:

| АКУМУЛАТОРНА БАТЕРИЯ | ЗАРЯДНО УСТРОЙСТВО |
|---|--------------------|
| BA1120E, BA1400, BA2240E, BA2800, BA3360, BA4200, BAX1300 | CH2100E CH5500E |

- Акумулаторната батерия, трябва да бъде премахната от уреда преди да бъде предаден за скрап.
- Не изхвърляйте батерията в огън. Клетките могат да експлодират. Проверете местните кодове възможни специални инструкции за изхвърляне.
- Не отваряйте или изменяйте батерията. Освободеният електролит е корозивен и може да причини щети по очите или кожата. Може да бъде токсичен ако е погълнат.
- Подходете с внимание при боравене с батерията за да не окъсите батерията с токопроводими материали като обеци, гвинни и ключове. Батерията или проводникът може да прегреят и да причинят изгаряния.
- Резервни части - Когато обслужвате, използвайте само идентични резервни части на EGO. Употребата на всякакви други аксесоари или приставки може да увеличи риска от нараняване.

- Инструментите с батерия не трябва да бъдат закачени към електрически контакт, поради това те винаги са в работно състояние. Бъдете подготвени за възможни опасности, дори когато инструментът не работи. Бъдете внимателни, когато извършвате поддръжка или обслужване.
- Извадете или разединете акумулаторната батерия, преди обслужване, почистване или изваждане на материали от хростореза.
- Не измивайте с маркуч, избягвайте попадане на вода в мотора и електрическите връзки.
- Ако настъпят събития, които не са засегнати в това ръководство, бъдете предпазливи и използвайте добра преценка. Свържете се с сервизния потребителски център на EGO за помощ.

ЗАПАЗЕТЕ ТЕЗИ ИНСТРУКЦИИ!

СПЕЦИФИКАЦИИ

| | | | |
|--|------------------------------|---|---|
| Режещ блок | Тримерна глава | Метален нож с 3 зъба | |
| Напрежение | 56 V | 56 V | |
| Скорост без натоварване | 4500-6000/мин | 4500-6000/мин | |
| Режеща корда тип | 2,4mm nylon bükülü misina | / | |
| Режещо острие | / | ABB1203 | |
| Ширина на рязане | 38 cm | 30 cm | |
| Тегло (без акумулаторна батерия) | 4,35 kg | 4,64 kg | |
| Измерено ниво на сила на звука L_{WA} | 94,80 dB(A); K=1,01 dB(A) | 94,04 dB(A); K=1,71 dB(A) | |
| Ниво на звуково налягане при ухото на оператора L_{PA} | 80,2 dB(A); K=2,5 dB(A) | 80,0 dB(A); K=4,1 dB(A) | |
| Гарантирано ниво на сила на звука L_{WA} (измерен съгласно 2000/14/ЕС) | 96 dB(A) | 96 dB(A) | |
| Оценка на вибрации v_{h1} : | Лява ръкохватка | 2,28 m/s ² ; K=1,5 m/s ² | 1,55 m/s ² ; K=1,5 m/s ² |
| | Дясна ръкохватка | 2,38 m/s ² ; K=1,5 m/s ² | 1,88 m/s ² ; K=1,5 m/s ² |

BG

- Декларираният общ размер на вибрации е измерен в съответствие със стандартния метод за тест и може да бъде използван за сравнение между два инструмента;
- Декларираният общ размер на вибрации може също така да бъде използван за предварителна оценка на влиянието.

БЕЛЕЖКА: Вибрационните емисии по време на действителната употреба на електрическия инструмент може да се различава от декларираната стойност. С цел да се защити оператора, потребителят трябва да носи ръкавици и антифони в действителни условия на работа.

ОПАКОВЪЧЕН ЛИСТ

| ИМЕ НА ЧАСТ | БРОЙ |
|-------------------------------|------|
| Електрическа коса | 1 |
| Нож с 3 зъба с лист | 1 |
| Предпазител комплект | 1 |
| Гайка | 1 |
| Външен фланец | 1 |
| Ключ шестограм | 1 |
| Мултифункционален гаечен ключ | 1 |
| Двоен ремък за рамо | 1 |
| Ръководство на оператора | 1 |

ОПИСАНИЕ

ЗАПОЗНАЙТЕ СЕ С ВАШИЯ ХРАСТОРЕЗ (Фиг. А)

1. Лост ограничаващ скоростта
2. Заклучващ лост
3. Крилчат болт
4. Спусък
5. Велосипедна ръкохватка
6. Вал
7. Режеща корда
8. Предпазител комплект
9. Тримерна глава
10. Уплътняващ винт
11. Отвор за заключване на щангата
12. Предпазен аксесоар
13. Мултифункционален гаечен ключ

14. Ключ шестограм
15. Нож с 3 зъба
16. Външен фланец
17. Гайка
18. Бутон за освобождаване
19. Предпазна гумена подложка
20. Резе
21. Електрически контакти
22. Механизъм за изваждане
23. Катарам за колана
24. Подложка за бедро

⚠ ПРЕДУПРЕЖДЕНИЕ: Никога не работете с инструмента без предпазителя да е здраво на местото си. Предпазителят трябва винаги да е на инструмента за да предпазва потребителя.

⚠ ПРЕДУПРЕЖДЕНИЕ: Когато инструментът е оборудван с тримерна глава, предпазният аксесоар с корда - режещо острие трябва да бъде монтиран върху предпазителя. Неспазването на това ще доведе до твърде дълга режеща корда и претоварване на мотора. Не използвайте никога тримерната глава без предпазния аксесоар.

МОНТАЖ

⚠ ПРЕДУПРЕЖДЕНИЕ: Ако някои от частите са повредени или липсват, не работете с хростореза, докато частите не се подменят. Използването на хростореза с повредени или липсващи части може да доведе до сериозно лично нараняване.

⚠ ПРЕДУПРЕЖДЕНИЕ: Не се опитвайте да модифицирате хростореза или да създадете аксесоари, които не се препоръчват за употреба с този продукт. Всяка такава промяна или модификация е злоупотреба и може да доведе до опасни условия с последици от възможни сериозни наранявания.

⚠ ПРЕДУПРЕЖДЕНИЕ: Винаги носете ръкавици за тежки приложения, когато монтирате или снемате предпазителя, или когато извършвате някакво обслужване на ножа с 3 зъба/ножа за рязане на кордата. Внимавайте за ножа за рязане на кордата на предпазния аксесоар / ножа с 3 зъба и предпазвайте ръцете си от нараняване от двата ножа.

⚠ ПРЕДУПРЕЖДЕНИЕ: За да предотвратите случайно стартиране, което би могло да причини сериозно нараняване, винаги отстранявайте акумулаторния комплект от инструмента, когато монтирате части или транспортирате машината.

⚠ ПРЕДУПРЕЖДЕНИЕ: Никога не работете с инструмента без предпазителят и велосипедната ръкохватка да са на мястото си. Неспазването може да доведе до възможно сериозно нараняване.

МОНТИРАНЕ И РЕГУЛИРАНЕ НА ВЕЛОСИПЕДНАТА РЪКОХВАТКА

Храсторезът се съхранява, както е показано на Фиг. В. Разхлабете първо крилчатия болт на свързващото съединение и след това вдигнете велосипедната ръкохватка на 180° около вала (Фиг. С), завъртете я на 90°, за да я насочите към ударната глава (Фиг. D). Накрая я придвижете назад и напред, за да достигнете комфортно работно положение и затегнете болта.

БЕЛЕЖКА: Разрешена е само работа на машината с велосипедна ръкохватка перпендикулярна на вала.

МОНТАЖ НА ПРЕДПАЗИТЕЛЯ

Разхлабете и извадете двата винта от основата на щангата (фиг. Е), подравнете монтажните отвори на предпазителя с отворите за монтажния механизъм и след това захванете предпазителя в основата на щангата с двата винта, заедно с две пружинни шайби (фиг. F).

Уверете се, че предпазителят е закрепен съгласно фиг. Е и F, всяко закрепване на обратно ще причини голяма опасност!

СМЯНА НА ТРИМЕРНАТА ГЛАВА С НОЖА С 3 ЗЪБА

Запознайте се с тримерната глава Фиг. G и следвайте стъпките показани на Фиг. H-1 - Фиг. H-4 (виж раздел "Смяна на кордата"), за да разглобите тримерната глава. За монтаж на ножа следвайте стъпките по-долу:

1. За монтаж на металния ножов блок (Фиг. I).
2. Отстранете предпазния аксесоар като разхлабете трите винта с шайби (Фиг. J).
3. Ножът се доставя с капак. Преди монтиране на ножа към храстореза, капакът трябва да бъде изваден, чрез изваждане на захващащата тел от куката на капака (фиг. K).

За описание на частите на Фиг. G - K вижте долу:

| | | | |
|-----|-----------------------|-----|----------------------|
| G-1 | Вътрешен фланец | I-3 | Капак на фланеца |
| G-2 | Капак на фланеца | I-4 | Нож с 3 зъба |
| G-3 | Горен корпус комплект | I-5 | Външен фланец |
| G-4 | Шайба | I-6 | Гайка |
| G-5 | Гайка | I-7 | Прорез във фланеца |
| G-6 | Пружина | J-1 | Режещ нож за кордата |
| G-7 | Режеща корда | J-2 | Предпазен аксесоар |
| G-8 | Долен корпус комплект | K-1 | Захващаща тел |
| I-1 | Вал на мотора | K-2 | Кукка |
| I-2 | Вътрешен фланец | | |

БЕЛЕЖКА: За да се защитите срещу нараняване, трябва да носите ръкавици преди всяка работа с ножа с 3 зъба.

4. Завъртете вала на мотора, за да подравните прореза на вътрешния фланец с отвора за закрепване на вала в предавателната кутия (Фиг. L).
5. Поставете ключа шестограм в подравнените отвори, за да действат като стабилизатор (фиг. M).

Фиг. L и M описание на части виж долу:

| | | | |
|-----|---|-----|---------------|
| L-1 | Предавателна кутия | L-3 | Вал на мотора |
| L-2 | Подравнени отвори за заключване на вала | M-1 | Стабилизатор |

6. Монтирайте ножа на вала на мотора като се уверите, че повърхността на ножа е изравнена с повърхността на издатината на вътрешния фланец. Монтирайте външния фланец и гайката (фиг. N). Затегнете предварително гайката в посока ОБРАТНО НА ЧАСОВНИКА на ръка.

Фиг. N описание на части виж долу:

| | |
|-----|---------------|
| N-1 | Гайка |
| N-2 | Външен фланец |
| N-3 | Нож с 3 зъба |

7. Поставете предавателната кутия върху твърда повърхност за опора. С едната си ръка хванете пръта на храстореза, а с другата си ръка хванете multifunctionалния гаечен ключ, за да затегнете гайката, като следвате стрелката за посоката маркирана върху външния фланец (Фиг. O).

УПОТРЕБА НА ПРЕДПАЗНИЯ АКСЕСОАР

БЕЛЕЖКА: Когато хросторезът е оборудван с тримерна глава, предпазният аксесоар трябва да бъде монтиран върху предпазителя.

Закрепете предпазния аксесоар върху предпазителя като затегнете трите винта с шестстенен ключ, тъй като нож за рязане на корда е оборудван към предпазния аксесоар. Неспазването на това може да доведе до твърде дълга режеща корда и претоварване на мотора.

РАБОТА

▲ ПРЕДУПРЕЖДЕНИЕ: Не позволявайте рутината с този продукт да ви направи непредпазливи. Запомнете, че невниманието за малка част от секундата е достатъчно за да нанесете сериозно нараняване.

▲ ПРЕДУПРЕЖДЕНИЕ: Винаги носете защита за очите заедно със защита за слуха. Ако не го направите може да доведе до изхвърляне на предмети към очите ви и други възможни сериозни наранявания.

▲ ПРЕДУПРЕЖДЕНИЕ: Не използвайте други приставки или аксесоари, които не са препоръчани от производителя на този продукт. Употребата на приставки или аксесоари, които не са препоръчани, може да доведе до сериозно нараняване.

ПРИЛОЖЕНИЯ

Може да използвате хростореза за целите описани долу:

- **С метален нож с 3 зъба:** Рязане на трева, плевели, диворастящи и шубрак, изтъняване на млади насаждения, с максимален диаметър на стъблото от 2 см.
- **С тримерна глава:** Почистване на трева и плевели около веранди, огради и платформи.

БЕЛЕЖКА: Инструментът трябва да бъде използван само за предназначени цели. Всяка друга употреба се смята за случай на злоупотреба.

МОНТИРАНЕ/ИЗВАЖДАНЕ НА АКУМУЛАТОРНАТА БАТЕРИЯ

Заредете напълно преди първата употреба.

за да закрепите

Подравнете реброто на акумулаторната батерия с монтажните жлеbove и натиснете батерията надолу, докато чуете „щракване“ (Фиг. P).

за да извадите

Натиснете бутона за освобождаване на батерията и издърпайте акумулаторната батерия навън (Фиг. Q).

Фиг. P описание на части виж долу:

| | |
|-----|---------------|
| P-1 | Монтажен жлеб |
| P-2 | Ребро |

МОНТАЖ НА ДВОЙНИЯ РЕМЪК ЗА РАМО И ДЪРЖАНЕ НА МАШИНАТА

Поставете двойния ремък за рамо на тялото си и вмъкнете двете части на катарамата на ремъка една на друга, докато се чуе щракване (Фиг. R-1). Подравнете куката на подложката за бедро в отвора на тръбната скоба фиксирана към пръта и натиснете пръта леко надолу (Фиг. R-2, R-3 и R-4).

Хванете кордовия тример с двете си ръце от дясната страна на тялото си (Фиг. S). Тримерната глава или ножът трябва да са успоредни на земята на правилно разстояние за рязане, без операторът да се навежда.

Освобождаване на хростореза може да се постигне по два начина: отпуснете катарамата на ремъка (Фиг. T) или натиснете куката на ремъка и я извадете от тръбната скоба фиксирана върху пръта (Фиг. R-2).

▲ ПРЕДУПРЕЖДЕНИЕ: Ако настъпи аварийна ситуация, снемете го от рамото си незабавно, без значение къде е ремъкът. Освобождаването на катарамата на ремъка (Фиг. T) и изваждането на двете ръце от ремъка от всяка страна е бърз метод за освобождаване.

▲ ПРЕДУПРЕЖДЕНИЕ: Не трябва да използвате единичен и двоен ремък за рамо едновременно.

СТАРТИРАНЕ/СПИРАНЕ НА ХРАСТОРЕЗА

За да стартирате

Натиснете лоста за отключване и го задръжте в тази позиция. Натиснете спусъка, за да стартирате (Фиг. U).

Различен натиск върху спусъка води до различна скорост на въртене на режещия блок. Ако е необходимо, регулирайте лоста за ограничаване на скоростта, за да настроите максимална скорост.

БЕЛЕЖКА: Лостът за ограничаване на скоростта може да бъде предварително настроен да ограничава хода на спусъка.

За да спрете

Освободете спусъка.

БЕЛЕЖКА: Моторът се движи единствено, когато претъст за отключване и спусъкът са натиснати заедно.

⚠ ПРЕДУПРЕЖДЕНИЕ: Винаги изваждайте акумулаторната батерия от тримера по време на работни прекъсвания и след завършване на работата.

ИЗПОЛЗВАНЕ НА МАШИНАТА

⚠ ПРЕДУПРЕЖДЕНИЕ: Облечете се правилно за да намалите риска от нараняване, когато работите с хростореза. Не носете отпуснати дрехи или бижута. Носете защита за очите и защита за очите/слуха. Носете дебели, дълги панталони, ботуши и ръкавици. Не носете къси панталони или сандали или не ходете боси.

Преди работа се огледайте, за да осигурите безопасна работна зона без други хора, животни и каквито и да било свободни предмети. Уверете се, че те са най-малко на 15 м. След това осигурете защита на очите, подходящо облекло и балансирана стойка.

Преди всяка употреба проверявайте за повредени/износени части. Проверете тримерната глава, ножа с 3 зъба, предпазителя, предпазния аксесоар, велосипедната ръкохватка и двойния ремък за рамо и подменете всички части, които са напукани, деформирани, изкривени или повредени по някакъв начин. Режещият нож за кордата на ръба на предпазния аксесоар може да се затъпи в течение на времето. Препоръчва се периодично да го заточвате с пила или да го подмените с нов нож.

След всяка употреба почиствайте хростореза.

ИЗПОЛЗВАНЕ С ТРИМЕРНА ГЛАВА

Регулиране на дължината на режещата корда

Главата на тримера позволява на оператора да отпусне повече режеща корда без да спира мотора. Когато кордата стане разкъсана или износена, може да бъде отпусната допълнителна корда чрез леко потупване в земята на бутона на главата (Фиг. V).

БЕЛЕЖКА: Освобождването на корда ще стане по трудно, когато кордата стане твърде къса.

⚠ ПРЕДУПРЕЖДЕНИЕ: Не премахвайте или променяйте устройството на режещия нож за кордата. Прекалената дължина на кордата ще причини прегряване на мотора и може да доведе до сериозно нараняване.

ПОДМЯНА НА КОРДАТА

БЕЛЕЖКА: Винаги използвайте препоръчителната найлонова режеща корда, с диаметър не надвишаващ 2.4 мм. Използване на корда различна от посочената може да причини прегряване или повреда на хростореза.

⚠ ПРЕДУПРЕЖДЕНИЕ: Никога не използвайте метално подсилена корда, жица или въже и др. Те могат да се счупят и да станат опасни летящи предмети.

1. Премахнете акумулаторната батерия.
2. Премахнете оставащата корда за рязане ако е необходимо.
3. Завъртете фиксатора на макарата в посоката посочена със стрелка, колкото е необходимо, за да изравните ЗАРЕДЕНАТА корда на фиксатора на макарата с ушите в основата на макарата (Фиг. W-1).
4. Отрежете 5 м корда и вкарайте кордата в монтажния отвор вътре в ухото (Фиг W-2). Избутайте и дръпнете кордата от другата страна, докато еднакво количество корда се появи от двете страни на макарата (Фиг. W-3).
5. Натиснете, докато въртите фиксатора на макарата по посока на стрелката, за да навиете кордата в макарата, докато остане приблизително 14 см корда, показваща се от двете страни (Фиг. W-4).
6. Бутнете надолу фиксатора на макарата, докато издърпвате кордата за да я придвижите ръчно напред и да проверите за правилно сглобяване на главата на тримера.

Когато кордата за рязане се откъсне от изхода за кордата или кордата за рязане не се освобождава, когато потупвате главата на тримера, следвайте долните стъпки:

1. Премахнете акумулаторната батерия.
2. Натиснете бутона за освобождаване на фиксатора на макарата и извадете макарата, като я издърпате право навън (фиг. H-1 и H-2).
3. Извадете кордата за рязане от фиксатора на макарата.
4. Като държите с една ръка основата на макарата, използвайте другата ръка за да хванете фиксатора на макарата и да изравните щифтовете на фиксатора с отворите в основата (фиг. X-1); използвайте дланта си за да натиснете и завъртите фиксатора на макарата наляво и надясно, докато щифтовете се заключат в основата (фиг. X-2).
5. Презаредете режещата корда.

ИЗПОЛЗВАНЕ С МЕТАЛЕН НОЖ С 3 ЗЪБА

⚠ ПРЕДУПРЕЖДЕНИЕ: При рязане на диворастящи и шубрак, снижете въртящия се нож с 3 зъба надолу към растителността, за да постигнете отсичащ ефект. Използвайте хростореза като коса (замахвайте от дясно и от ляво) на нивото на земята. Не използвайте режещия блок над нивото на талията.

⚠ ПРЕДУПРЕЖДЕНИЕ: Колкото по-високо е режещият блок от земята, толкова по-голям е рискът от нараняване от изхвърляне на страни на отрязъци.

⚠ ПРЕДУПРЕЖДЕНИЕ: Когато режете млади насаждения или други дървени материали, до 2 см в диаметър, използвайте лявата страна на ножа, за да избегнете ситуации на тласкане на ножа. Не се опитвайте да режете дървесни материали с по-голям диаметър, тъй като ножът може да се захване или да издърпа хростореза напред. Това може да доведе до повреда на ножа или на хростореза, или загуба на контрол на хростореза, което да доведе до нараняване.

⚠ ПРЕДУПРЕЖДЕНИЕ: Неправилната употреба на ножа може да причини напукване, нащърбване или счупване. Изхвърлените части могат сериозно да наранят оператора или близкостоящ. За да намалите риска от лично нараняване, изключително важно е да вземете следните предпазни мерки:

- Избягвайте контакт с твърди и солидни чужди тела като камъни, скали или парчета метал.
- Никога не режете дърво или храсти с диаметър на стъблото повече от 2 см.
- Проверявайте ножа на чести кратки интервали за признаци на повреда. Не продължавайте да работите с повреден нож.
- Заточвайте ножа редовно (когато е затъпен забележимо) и го дайте за балансиране, ако е необходимо (извършва се от квалифициран сервизен техник).

Тласкане на ножа

Упражнете изключително внимание, когато използвате ножа с 3 зъба в този инструмент. Тласкане на ножа е реакция, която може да се получи, когато въртящият се нож влезе в контакт с нещо, което не може да среже. Този контакт може да накара ножа да спре моментално и внезапно да „изтласка“ инструмента далеч от обекта, който е ударил. Това действие може да е достатъчно силно, за да причини загуба на контрол на инструмента от оператора. Тласкането на ножа може да се случи без предупреждение, ако ножът се блъсне, заседне или се заклеши. Това е по вероятно да се случи в зона, където е трудно да видите рязания материал. За

леснота на рязане и безопасност, захождайте от дясно на ляво към плевелите, които трябва да бъдат рязани с хростореза. В случай на среща с неочакван обект или дървен ствол, практиката може да минимизира тласкането на ножа.

ПОДДРЪЖКА

⚠ ПРЕДУПРЕЖДЕНИЕ: Преди инспекция, почистване или обслужване на уреда спрете мотора, изчакайте всички движещи части да спрат и извадете акумулаторната батерия. Неспазването на тези инструкции може да доведе до сериозно нараняване или щети по собствеността.

⚠ ПРЕДУПРЕЖДЕНИЕ: Когато обслужвате, използвайте само идентични резервни части. Употребата на каквито и да е други части може да създаде опасност или да предизвика повреда на продукта. За да осигурите безопасността и надеждността, всички поправки трябва да се извършват от квалифициран сервизен техник.

ОБЩА ПОДДРЪЖКА

Избягвайте употребата на разтворители, когато почиствате пластмасовите части. Повечето пластмасови части са уязвими на повреда от различни видове разтворители в търговската мрежа и може да се повредят от тяхната употреба. Използвайте чист плат, за премахване на мръсотия, прах, масло и т.н.

ПОЧИСТВАНЕ НА МАШИНАТА

- След всяка употреба на ножа с 3 зъба/тримерната глава почистете натрупванията, запушената почва или трева по ножа и предпазителя с мека четка.

БЕЛЕЖКА: Когато режещият ножът се затъпи, моля дайте го за заточване на квалифициран сервизен техник или го подменете с нов нож, ако е необходимо.

- След всяка употреба на хростореза почиствайте режещия блок с помощта на мека кърпа с мек почистващ препарат.
- Не използвайте силен почистващ препарат по пластмасата на корпуса или ръкохватката. Те могат да бъдат повредени от определени ароматни масла като бор и лимон и от разтворители като керосин. Влагата също може да причини токов удар. Избършете всякаква влага със суха мека кърпа.
- Използвайте малка четка или малка прахосмукачка за да почистите, вентилационните отвори в задната страна на корпуса.

СЪХРАНЕНИЕ НА МАШИНАТА

- Извадете акумулаторната батерия от инструмента.
- Носете ръкавици за тежка употреба за да изчистите цялостно инструмента.
- Монтирайте капака на ножа към ножа с 3 зъба за безопасно съхранение (фиг.У).
- Съхранете уреда в сухо място с добра вентилация, заключен или съхраняван на високо извън достъпа на деца. Не съхранявайте машината в близост или върху тор, бензин или други химикали.

Опазване на околната среда



Не изхвърляйте електрическо оборудване, зарядно устройство за акумулаторни батерии и батерии/ акумулаторни батерии в домакинския отпадък.

Съгласно европейския закон 2012/19/ЕС, електрическо и електронно оборудване, което повече не може да се използва и съгласно европейското законодателство 2006/66/ЕО, дефектните или използваните акумулаторни батерии/батерии трябва да се събират отделно.

Ако се изхвърлят електрически уреди в сметища или бунища, опасни вещества могат да изтекат в подпочвените води и да попаднат в хранителната верига, като увредят вашето здраве и благосъстояние.

ДЕКЛАРАЦИЯ ЗА СЪОТВЕТСТВИЕ НА ЕС



Ние, EGO EUROPE GMBH

Wahlwiesenstrasse 1, D-71711 Steinheim an der Murr Deutschland

Декларираме, че продуктът **ХРАСТОРЕЗ С 56 V ЛИТИЕВО-ИОНЕН АКУМУЛАТОР, ЗАДЕН ДВИГАТЕЛ И ВЕЛОСИПЕДНА РЪКОХВАТКА ВС3800E** съответства на необходимите изисквания за здраве и безопасност на следните директиви:

2006/42/ЕС, 2014/30/EU, 2011/65/EU, 2000/14/ЕС

Стандартни и технически спецификации отнасящи се до:

EN ISO 11806-1, EN 60745-1, EN 55014-1, EN 55014-2, IEC 62321.

| | Тримерна глава | Метален нож с 3 зъба |
|--|----------------|----------------------|
| Измерено ниво на сила на звука: | 94,80 dB(A) | 94,04 dB(A) |
| Ниво на звуково налягане при ухото на оператора: | 96 dB(A) | 96 dB(A) |

Процедурата за оценка на съответствието на Анекс VI е следвана съгласно 2000/14/ЕС.

Известен орган: DEKRA Certification B.V. Meander 1051 / P.O. box 5185 6525 MJ ARNHEM / 6802 ED ARNHEM, Холандия

Номер на известен орган: 0344

Peter Melrose
Изпълнителен директор на
EGO Europe GmbH

Dong Jianxun
Директор Качество на
Chervon

* (Оторизирани представители на CHERVON и отговорни за техническата документация)

01/09/2017

ОТСТРАНЯВАНЕ НА НЕИЗПРАВНОСТИ

| ПРОБЛЕМ | ПРИЧИНА | РЕШЕНИЕ |
|-----------------------|---|---|
| Отказ при стартиране. | <ul style="list-style-type: none"> ■ Акумулаторната батерия не е прикрепена към хростореза. ■ Няма електрически контакт между хростореза и акумулаторната батерия. ■ Акумулаторната батерия е изтощена. ■ Лостът за отключване и спусъкът не са натиснати едновременно. | <ul style="list-style-type: none"> ■ Закрепете акумулаторната батерия към хранващата глава. ■ Извадете батерията, проверете контактите и монтирайте отново, докато влезе на местото си. ■ Заредете акумулаторната батерия със зарядни EGO посочени в това ръководство. ■ Натиснете и задръжте лоста за отключване и след това натиснете спусъка за да включите хростореза. |
| Спира да работи. | <ul style="list-style-type: none"> ■ Моторът е претоварен. ■ Използвана е тежка корда за рязане. ■ Акумулаторната батерия или хросторезът са твърде горещи. ■ Акумулаторната батерия е разединена от инструмента. ■ Акумулаторната батерия е изтощена. | <ul style="list-style-type: none"> ■ Моторът ще се възстанови, когато натоварването е отстранено. За продължителна работа намалете натоварването на хранващата глава. ■ Използвайте стандартна найлонова режеща корда с диаметър не по-голям от 2,4 мм. ■ Позволете на акумулаторната батерия или на хранващата глава да се охлади, докато температурата спадне под 67°C. ■ Монтирайте отново акумулаторната батерия. ■ Заредете акумулаторната батерия със зарядни EGO посочени в това ръководство. |

| ПРОБЛЕМ | ПРИЧИНА | РЕШЕНИЕ |
|---|---|---|
| Тримерната глава не издърпва корда (само при употреба на тримерна глава). | <ul style="list-style-type: none"> ■ Валът на мотора и тримерната глава са обвити в трева. ■ Няма достатъчно корда на макарата. ■ Главата на тримера е замърсена. ■ Кордата е оплетена върху макарата. ■ Кордата е твърде къса.. | <ul style="list-style-type: none"> ■ Спрете машината, извадете акумулатора и извадете тревата от вала на мотора и тримерната глава. ■ Отстранете батерията и подменете кордата за рязане, следвайте раздел „ПОДМЯНА НА КОРДАТА“ в това ръководство. ■ Отстранете акумулатора и почистете макарата, фиксатора на макарата и основата на макарата. ■ Извадете батерията, извадете кордата от фиксатора и превъртете, следвайте раздел “ПОДМЯНА НА КОРДАТА” в това ръководство. ■ Извадете батерията и издърпайте кордите, като последователно натиснете и освободите главата на тримера. |

ГАРАНЦИЯ

ГАРАНЦИОННА ПОЛИТИКА EGO

Моля посетете уебсайта egopowerplus.com за пълните условия по гаранционната политика на EGO.

PROČITAJTE UPUTE U CJELOSTI!



Pročitajte korisnički priručnik

⚠ Preostale opasnosti! Osobe s elektroničkim uređajima poput srčanih elektrostimulatora prije korištenja ovog proizvoda trebaju se posavjetovati sa svojim liječnikom. Rad električne opreme u neposrednoj blizini srčanih elektrostimulatora može prouzročiti smetnju ili kvar srčanog elektrostimulatora.

⚠ UPOZORENJE! Radi osiguranja sigurnosti i pouzdanosti sve popravke i zamjene treba obavljati kvalificirani servisni tehničar.

SIGURNOSNI SIMBOLI

Svrha sigurnosnih simbola je skretanje pozornosti na moguće opasnosti. Sigurnosni simboli i njihova objašnjenja zahtijevaju vašu potpunu pozornost i razumijevanje. Sami simboli upozorenja ne isključuju opasnost. Upute i upozorenja koja pružaju nisu zamjena za propisne mjere za prevenciju nesreća.

⚠ UPOZORENJE! Prije korištenja ovog alata pobrinite se da sve upute u ovom korisničkom priručniku, uključujući sve sigurnosne simbole kao što su "OPASNOST", "UPOZORENJE" I "OPREZ" pročitate s razumijevanjem. Zanemarivanje svih uputa navedenih u nastavku može rezultirati strujnim udarom, požarom i/ili teškim tjelesnim ozljedama.

ZNAČENJE SIMBOLA

⚠ SIGURNOSNI SIMBOL: ukazuje na **OPASNOST, UPOZORENJE ILI OPREZ.** Može se koristiti u kombinaciji s drugim simbolima ili piktogramima.



⚠ UPOZORENJE! Rukovanje električnim alatima može rezultirati odbacivanjem stranih predmeta u oči što opet može izazvati teška oštećenja očiju. Prije početka rukovanja električnim alatom uvijek nosite zatvorene zaštitne naočale ili zaštitne naočale s bočnim štitnicima, a prema potrebi i štitnik za cijelo lice. Preporučujemo nošenje sigurnosne maske proizvođača Wide Vision preko naočala, ili nošenje standardnih zaštitnih naočala s bočnim štitnicima.

SIGURNOSNE NAPOMENE

Na ovoj stranici slikovno su prikazani i objašnjeni sigurnosni simboli koji se mogu pojaviti na ovom proizvodu. Prije pokušaja sastavljanja i rukovanja s razumijevanjem pročitajte sve upute na stroju i pridržavajte ih se.

| | | |
|--|--|---|
| | Simbol upozorenja | Označava potencijalnu opasnost od osobnih ozljeda. |
| | Pročitajte korisnički priručnik. | Radi smanjenja opasnosti od ozljeda, prije korištenja ovog proizvoda korisnik treba s razumijevanjem pročitati ovaj korisnički priručnik. |
| | Nosite zaštitu za oči. | Kada rukujete ovim proizvodom, uvijek nosite zatvorene zaštitne naočale ili zaštitne naočale s bočnim štitnicima i štitnik za cijelo lice. |
| | Nosite zaštitu za sluh. | Radi zaštite sluha uvijek nosite zvučne barijere (čepovi za uši ili štitnici za uši). |
| | Nosite zaštitu za glavu. | Radi zaštite glave nosite odobrenu sigurnosnu kacigu. |
| | Nosite zaštitne rukavice. | Kada rukujete nožem ili štitnikom noža zaštitite ruke rukavicama. Neklizajuće rukavice za teške radne uvjete poboljšavaju zahvat i štite ruke. |
| | Nosite sigurnosnu obuću. | Kada koristite ovu opremu nosite neklizajuću sigurnosnu obuću. |
| | Čuvajte se povratnog udara noža. | Upozorite rukovatelja na opasnost od povratnog udara noža. |
| | Udaljite i zadržite promatrače podalje | Odbačeni predmeti mogu odskočiti i rezultirati tjelesnim ozljedama ili materijalnom štetom. Pobrinite se da druge osobe i kućni ljubimci ostanu podalje od obrezivača grmlja kada je u uporabi. |

| | | |
|----------|-----------------------------------|---|
| | Promatrače držite na udaljenosti. | Pobrinite se da druge osobe i kućni ljubimci ostanu najmanje 15 m udaljeni od šišača trave s reznom niti kada je u uporabi. |
| | Ne koristite okrugle noževe. | Ne postavljajte okrugle rezne noževe. |
| | Ne izlagati kiši | Proizvod ne koristite na kiši ili ne ostavljajte ga na otvorenom kada pada kiša. |
| | CE | Ovaj proizvod je u skladu s važećim smjernicama EZ-a. |
| | WEEE | Električni otpad ne smije se odlagati s kućnim otpadom. Odnosite do ovlaštenog centra za recikliranje. |
| | Buka | Zajamčena razina zvučne snage: Emisija buke u okruženju u skladu je s Direktivom Europske unije. |
| V | Volt | Napon |
| | Istosmjerna struja | Vrsta ili karakteristike struje |
| n_0 | Brzina bez opterećenja | Broj okretaja u praznom hodu |
| ... /min | U minuti | Okretaji u minuti |

VAŽNE SIGURNOSNE UPUTE

⚠ UPOZORENJE! Kada koristite ovaj proizvod, potrebno je uvijek pridržavati se osnovnih mjera opreza kako bi se smanjio rizik od požara, strujnog udara i tjelesnih ozljeda, uključujući sljedeće:

POZORNO PROČITAJTE PRIJE UPORABE.

SAČUVAJTE ZA BUDUĆE POTREBE.

⚠ OPASNOST! Nemojte se pouzdati u izolaciju alata od strujnog udara. Radi smanjenja rizika od strujnog udara stroj nikada ne koristite u blizini žica ili kabela (struja i sl.) koji provode struju.

⚠ OPREZ! Tijekom uporabe nosite odgovarajuću osobnu zaštitu za sluh. U određenim okolnostima i trajanju uporabe buka koju stvara ovaj proizvod može pridonijeti gubitku sluha.

OBUKA

- Pozorno pročitajte upute. Upoznajte se s upravljačkim elementima i propisnom uporabom stroja.
- Nikada nemojte dopustiti da osobe koje nisu upoznate s ovim uputama ili djeca koriste stroj. Lokalni propisi mogu ograničavati starosnu dob rukovatelja.
- Imajte na umu da je rukovatelj ili korisnik odgovoran za nesreće ili opasnosti za druge osobe ili njihovu imovinu.

PRIPREMA

- Strojem nikada ne rukujte kada se u blizini nalaze osobe, a posebno djeca ili kućni ljubimci.
- Nosite zaštitu za oči i čvrstu obuću cijelo vrijeme dok rukujete strojem.
- Razdaljina između stroja i promatrača treba biti najmanje 15 m.

RAD

- Stroj koristite samo pri dnevnom svjetlu ili dobrom umjetnom osvjetljenju.
- Strojem nikada ne rukujte ako su štitnici ili zaštitni uređaji oštećeni ili ako nisu na svom mjestu.
- Motor uključite samo kada se ruke i stopala nalaze podalje od reznih elemenata.
- Stroj uvijek odspojite od strujnog napajanja (tj. uklonite komplet baterija).
 - Kad god ostavljate obrezivač grmlja bez nadzora;
 - prije čišćenja prepreka;
 - prije provjere, čišćenja ili rada sa strojem;
 - nakon udaranja o strani predmet;
 - kada stroj počne neuobičajeno vibrirati.
- Zaštitite se od ozljeda stopala i ruku od reznih elemenata.
- Uvijek se pobrinite da ventilacijski otvori ne budu zapriječeni.

ODRŽAVANJE I SKLADIŠTENJE

- Prije obavljanja radova održavanja ili čišćenja stroj odspojite od strujnog napajanja (tj. izvucite utikač iz strujne utičnice ili uklonite bateriju).
- Koristite samo zamjenske dijelove i pribor koje je preporučio proizvođač.
- Redovito obavljajte pregled i održavanje stroja. Popravak stroja prepustite samo ovlaštenom osoblju za popravak.
- Kada ga ne koristite, stroj čuvajte izvan dohvata djece.

OSTALA SIGURNOSNA UPOZORENJA

- **Djeca držite podalje** - sve promatrače potrebno je držati na najmanjoj udaljenosti od 15 m (100 stopa) od radnog područja.

- **Izbjegavajte opasna okruženja** - ne koristite uređaje na vlažnom ili mokrom nagibu.
- **Kada alat ostavljajte bez nadzora, obrezaivač grmlja uvijek isključite ili izvadite komplet baterija.**
- **Ne koristite na kiši.**
- **Odgovarajuće se obucite** - nemojte nositi široku odjeću, nakit, kratke hlače, sandale ili biti bosonogi. Mogu ih zahvatiti pokretni dijelovi. Uvijek nosite čvrste duge hlače i majicu dugih rukava. Tijekom rada na otvorenom preporučujemo koristiti gumene rukavice i čvrstu obuću. Nosite zaštitno pokrivalo za kosu za obuhvaćanje duge kose iznad razine ramena.
- **Koristite zaštitne naočale** - u prašnjavom okruženju uvijek koristite masku za lice ili masku za zaštitu od prašine.
- **Koristite odgovarajući alat** - ne koristite alat za druge radove osim za radove za koje je namijenjen.
- **Ne preopterećujte obrezaivač grmlja** - obrezaivač grmlja bolje će odraditi posao uz manju vjerojatnost rizika od ozljeda pri brzini za koju je konstruiran.
- **Nemojte se prekomjerno naginjati** - cijelo vrijeme održavajte odgovarajuće držanje i ravnotežu.
- **Budite oprezni** - gledajte što radite. Postupajte razumno. Obrezaivač grmlja ne koristite kada ste umorni.
- **Obrezaivač grmlja nikada ne koristite pod utjecajem alkohola ili lijekova.**
- **Održavajte štitnike na njihovom mjestu i u radnom stanju.**
- **Ruke i stopala držite podalje od područja rezanja.**
- **Obrezaivač grmlja pohranjujte u zatvorenim prostorima** - kada se ne koristi, obrezaivač grmlja potrebno je pohraniti u zatvorenim prostorima na suhom i visokom ili zaključanom mjestu - izvan dohvata djece.
- **Pažljivo održavajte obrezaivač grmlja** - za najbolji radni učinak i smanjenje rizika od ozljeda rezni priključak održavajte čistim. Pridržavajte se uputa za zamjenu pribora. Rukohvate održavajte suhim, čistim i očišćenim od ulja i masti.
- **Provjerite ima li oštećenih dijelova** - prije daljnje uporabe obrezaivača grmlja potrebno je pažljivo provjeriti štitnik ili drugi oštećeni dio kako biste utvrdili hoće li propisno raditi i obavljati svoju namjensku funkciju. Provjerite jesu li pokretni dijelovi centrirani i spojeni, ima li polomljenih dijelova, jesu li dijelovi montirani i postoji li stanje koje može negativno utjecati na rad uređaja. Štitnik ili drugi oštećeni dio treba propisno popraviti ili zamijeniti ovlašteni servisni centar ako u priručniku nije drukčije navedeno.
- **Uvjerite se da su svi pričvrtni elementi na svom mjestu i dobro pričvršćeni.** Provjerite je li štitnik reznog alata propisno pričvršćen i je li u položaju koji je preporučio proizvođač.
- **Prije svake uporabe očistite radno područje.** Uklonite sve predmete poput kamenja, razbijenog stakla, čavala, žica ili niti koje stroj može odbaciti ili koji se mogu zaplesti u rezni priključak. Iz područja udaljite djecu, promatrače i kućne ljubimce. Držite djecu, promatrače i kućne ljubimce najmanje 15 m (50 stopa) izvan radnog područja; izvan zone od 15 m (50 stopa) još uvijek postoji opasnost od ozljeda uslijed odbačenih predmeta. Promatrače je potrebno zamoliti da nose zaštitu za oči.
- **Prije uporabe stroja i nakon svakog udara provjerite postoje li znakovi istrošenosti ili oštećenja i prema potrebi obavite popravak.**
- **Tijekom korištenja obrezaivač grmlja uvijek držite čvrsto, objema rukama za rukohvate.** Rukohvate obuhvatite prstima i palčevima.
- **Izbjegavajte nenamjerno pokretanje** - obrezaivač grmlja ne nosite držeći prst na okidaču.
- **Obrezaivač grmlja ne koristite u područjima s plinom ili eksplozivnim područjima.** Motori u ovim uređajima obično iskre, a iskre mogu zapaliti isparenja.
- **Oštećenje obrezaivača glave** – ako obrezaivačem grmlja udarite o strani predmet ili ako se strani predmet zaplete u obrezaivač grmlja, odmah zaustavite alat, iz obrezaivača grmlja uklonite bateriju, provjerite postoje li oštećenja i prije nego nastavite s radom obavite popravak eventualnog oštećenja. Obrezaivač grmlja ne koristite ako je štitnik ili nož polomljen.
- **Ako oprema počne neuobičajeno vibrirati, zaustavite motor, iz obrezaivača grmlja izvadite bateriju i odmah potražite uzrok. Vibracije u pravilu ukazuju na problem.** Otpušten rezni alat može vibrirati, puknuti, polomiti se ili odvojiti se od obrezaivača grmlja što može rezultirati teškim ili smrtonosnim ozljedama. Uvjerite se da je rezni priključak ispravno postavljen i dobro pričvršćen. Ako se nozni alat nakon pričvršćivanja otpusti, odmah ga zamijenite. Obrezaivač grmlja nikada ne koristite ako je rezni priključak otpušten.
- **Puknutu, oštećenu ili istrošenu reznu glavu odmah zamijenite čak i ako je oštećenje ograničeno na površinske pukotine.** Takvi priključci mogu se raspuknuti pri visokoj brzini i prouzročiti teške ili smrtonosne ozljede.
- **Radi smanjenja opasnosti od ozljeda, nikada ne radite na ljestvama ili na nekoj drugoj nesigurnoj podlozi.** Rezni priključak nikada ne držite na visini iznad struka.
- **Nikada nemojte koristiti druge žinje umjesto najlonskih reznih žinja, dijelovi žinje mogu se slomiti i odletjeti velikom brzinom prema rukovatelju ili promatračima.**
- **Održavajte čvrsto držanje i ravnotežu.** Nemojte se naginjati. Rezni alat držite ispod razine struka. Sve dijelove tijela držite podalje od rotirajućeg reznog alata.
- **Rezni alat tijekom rada redovito provjeravajte u kratkim intervalima ili odmah ako uočite primjetnu promjenu u načinu rezanja.**

- **Koristite samo reznu žinju koje odobrava tvrtka EGO a koji su osmišljeni za uporabu obrezačem grmlja. Neki neodobreni pribor može biti vrlo opasan i/ili štetan za alate.**
- **Ako vam netko priđe, zaustavite motor i rezni priključak.**
- **Upozorite rukovatelja da postoji opasnost od potiska noža (samo s nožem s 3 zuba).**
 - Povratni udar noža može se dogoditi kada rotirajuća oštrica dođe u doticaj s predmetom kojeg ne može odmah odrezati.
 - Povratni udar noža može biti dovoljno silovit da rezultira odbacivanjem jedinice i/ili rukovatelja u bilo kojem smjeru i mogućim gubitkom kontrole nad jedinicom.
 - Povratni udar noža može se dogoditi bez upozorenja ako oštrica zapne, ako blokira ili se zaglavi.
 - Povratni udar noža prije će se dogoditi u područjima gdje je teško vidjeti materijal koji se reže.
- **Ne pričvršćujte oštricu na jedinicu bez propisnog postavljanja svih potrebnih dijelova. Zanemarivanje uporabe odobrenih dijelova može rezultirati odbacivanjem noža i teškim ozljedama rukovatelja i/ili promatrača. Zbrinite noževe koji su svinuti, deformirani, napuknuti, polomljeni ili oštećeni na bilo koji način. Koristite oštru oštricu. Kod tupog noža postoji veća vjerojatnost da će se zaglaviti i doći do povratnog udara (samo kod noža s 3 zuba).**
- **Bateriju je potrebno zbrinuti na siguran način.**
- **Nož u praznom hodu može prouzročiti ozljede dok se još okreće nakon zaustavljanja motora ili otpuštanja aktivatora. Održavajte odgovarajuću kontrolu dok se nož u potpunosti ne zaustavi.**
- **Komplet baterija nemojte puniti na kiši ili mokrim mjestima.**
- **Koristite samo niže navedene komplete baterija i punjača koje odobrava tvrtka EGO:**

| KOMPLET BATERIJA | PUNJAČ |
|---|--------------------|
| BA1120E, BA1400, BA2240E, BA2800, BA3360, BA4200, BAX1300 | CH2100E CH5500E |

- **Prije odlaganja uređaja na otpad komplet baterija potrebno je izvaditi iz uređaja.**
- **Ne odlažite bateriju u vatra.** Čelije mogu eksplodirati. Za upute o mogućem posebnom odlaganju provjerite lokalne propise.
- **Ne otvarajte i ne razdvajajte bateriju.** Oslobođeni elektrolit je korozivan i može oštetiti oči ili kožu. U slučaju gutanja može biti otrovan.
- **Budite oprezni pri rukovanju baterijama kako biste izbjegli kratko spajanje baterije s vodljivim materijalima, kao što su prsteni, narukvice i ključevi.** Baterija ili provodnik mogu se pregrijati i prouzročiti opekline.

- **Zamjenski dijelovi** - Pri servisiranju koristite samo identične zamjenske dijelove proizvođača EGO. Uporaba drugog pribora ili priključka može povećati opasnost od ozljeda..
- **Baterijske alate nije potrebno uključivati u električnu utičnicu, stoga su uvijek u radnom stanju. Imajte na umu moguće opasnosti čak i kada alat ne radi.** Budite oprezni pri obavljanju radova održavanja ili servisiranja.
- **Uklonite ili odspojite komplet baterija prije servisiranja, čišćenja ili uklanjanja materijala sa čistača šikare.**
- **Uređaj ne perite sa crijevom; izbjegavajte da voda dospije u motor i električne priključke**
- **Ako se pojave situacije koje nisu obuhvaćene ovim priručnikom, postupite oprezno i uz dobru procjenu. Za pomoć se obratite servisnom centru proizvođača EGO.**

SAČUVAJTE OVE UPUTE!

TEHNIČKI PODACI

| | | |
|--|------------------------------|---|
| Rezni priključak | Glava šišača | Metalni nož s 3 zuba |
| Napon | 56 V | 56 V |
| Brzina bez opterećenja | 4500-6000 /min | 4500-6000 /min |
| Tip rezne žinje | 2,4mm nylon bükülü misina | / |
| Rezni nož | / | ABB1203 |
| Širina rezanja | 38 cm | 30 cm |
| Masa (bez kompleta baterija) | 4,35 kg | 4,64 kg |
| Izmjerena razina zvučne snage L_{WA} | 94,80 dB(A); K=1,01 dB(A) | 94,04 dB(A); K=1,71 dB(A) |
| Razina zvučnog tlaka kod uha rukovatelja L_{pA} | 80,2 dB(A); K=2,5 dB(A) | 80,0 dB(A); K=4,1 dB(A) |
| Zajamčena razina zvučne snage L_{WA} (izmjereno sukladno Direktivi 2000/14/EZ) | 96 dB(A) | 96 dB(A) |
| Procjena vibracija ah: | Lijeva drška | 2,28 m/s ² ; K=1,5 m/s ² |
| | Desna drška | 2,38 m/s ² ; K=1,5 m/s ² |
| | | 1,55 m/s ² ; K=1,5 m/s ² |
| | | 1,88 m/s ² ; K=1,5 m/s ² |

- **Deklarirane ukupne vrijednosti vibracija izmjerene su u skladu sa standardnom metodom ispitivanja i mogu se koristiti za usporedbu jednog alata s drugim.**

- Deklarirane ukupne vrijednosti vibracija mogu se koristiti i u preliminarnoj procjeni izloženosti.

NAPOMENA: Emisija vibracija tijekom aktualnog korištenja električnog alata može se razlikovati od deklarirane vrijednosti u kojoj se alat koristi; Radi zaštite rukovatelja korisnik treba nositi rukavice i štittike za uši u aktualnim uvjetima korištenja.

POPIS ZA PAKIRANJE

| NAZIV DIJELA | KOLIČINA |
|--------------------------|----------|
| Obrezaivač grmlja | 1 |
| Nož s 3 zuba i ovojnicom | 1 |
| Sklop štittika | 1 |
| Matica | 1 |
| Vanjska prirubnica | 1 |
| Inbus ključ | 1 |
| Višefunkcijski ključ | 1 |
| Dvostruka traka za rame | 1 |
| Korisnički priručnik | 1 |

OPIS

UPOZNAJTE OBREZIVAČ GRMLJA (sl. A)

1. Ručica za ograničavanje brzine
2. Ručica za otključavanje
3. Krilni vijak
4. Aktivator
5. Drška
6. Osovina
7. Rezna nit
8. Sklop štittika
9. Glava šišača
10. Brtveni vijak
11. Otvor za ulijeganje drška
12. Štittik
13. Višefunkcijski ključ
14. Inbus ključ
15. Nož s 3 zuba
16. Vanjska prirubnica
17. Matica

18. Gumb za otpuštanje
19. Gumena zaštita
20. Jezičac
21. Električni kontakti
22. Mehanizam za izbacivanje
23. Kopča trake
24. Jatučić za kuk

⚠ UPOZORENJE! Alat nikada ne koristite bez dobro pričvršćenog štittika. Štittik uvijek mora biti na alatu radi zaštite korisnika.

⚠ UPOZORENJE! Kada je alat opremljen reznom glavom, rezni nož mora biti postavljen na štittik. Nepostupanje u skladu s tim može rezultirati predugačkom reznom žinjom i preopterećenjem motora. Nikada ne koristite glavu obrezaivača grmlja bez sklopa štittika.

SKLOP

⚠ UPOZORENJE! Ukoliko se neki dijelovi oštete ili nedostaju, nemojte koristiti obrezaivač grmlja sve dok ne zamijenite te dijelove. Uporaba obrezaivača grmlja bez nekih ili s oštećenim dijelovima može rezultirati ozbiljnim tjelesnim ozljedama.

⚠ UPOZORENJE! Ne pokušavajte obavljati preinake obrezaivača grmlja ili izrađivati pribor koji nije preporučen za uporabu s ovim proizvodom. Sve takve izmjene ili preinake predstavljaju nepropisno korištenje i mogu rezultirati opasnim stanjima koja mogu dovesti do mogućih teških tjelesnih ozljeda.

⚠ UPOZORENJE! Kada postavljate ili uklanjate štittik ili kada obavljate poslove održavanja noža, uvijek nosite čvrste rukavice. Budite oprezni s reznim nožem na štittiku/nožem s 3 zuba i zaštitite ruke od ozljeda od noževa.

⚠ UPOZORENJE! Da biste spriječili slučajno pokretanje koje bi moglo prouzročiti ozbiljne tjelesne ozljede, prilikom priključivanja priključaka ili transportiranja alata uvijek uklonite bateriju iz alata.

⚠ UPOZORENJE! Alat nikada ne koristite bez dobro učvršćenog štittika. Nepostupanje u skladu s tim može rezultirati mogućim teškim tjelesnim ozljedama.

POSTAVLJANJE I PODEŠAVANJE SKLOPA DRŠKE

Obrezaivač grmlja pohranjen je kako je prikazano na sl. B. Najprije otpustite krilni vijak na spoju a zatim podignite dršku 180° oko osovine (sl. C), zakrenite ga za 90° u smjeru suprotnom od smjera kazaljke na satu da biste je okrenuli prema glavi za udaranje (sl. D). Naposljetku, okrećte ga naprijed-natrag kako biste postigli udoban radni položaj i zategnite vijak.

NAPOMENA: Dopusšteno je samo upravljanje strojem sa sklopom drški okomito postavljenim na osovinu.

POSTAVLJANJE ŠTITNIKA

Otpustite i uklonite dva vijka s kućišta drška (sl. E). Uravnajte montažne provrte na štitniku s montažnim provrtima i štitnik zatim pričvrstite na kućište drške s dvama vijcima i dvjema opružnim podloškama (sl. F).

Uvjerite se da je štitnik pričvršćen u skladu sa slikama E i F. Svako obrnuto pričvršćivanje izazvat će veliku opasnost!

ZAMJENA GLAVE ŠIŠAČA S NOŽEM S 3 ZUBA

Za rastavljanje glave šišača upoznajte se s glavom šišača na sl. G i slijedite korake kako su prikazani na sl. H-1 - sl. H-4 (pogledajte odlomak "Zamjena žinje"). Da biste postavili nož slijedite korake u nastavku:

1. Za postavljanje metalnog noža (sl. I)
2. Uklonite štitnik otpuštanjem tri vijka s podloškom (sl. J).
3. Oštrica se isporučuje s ometačem. Prije postavljanja noža na obrezač gmlja potrebno je ukloniti ovojnici otpuštanjem stezaljke s kukice na ovojnici (sl. K).

U nastavku pogledajte opis dijelova na sl. G:

| | | | |
|-----|----------------------|-----|----------------------------|
| G-1 | Unutarnja prirubnica | I-3 | Poklopac prirubnice |
| G-2 | Poklopac prirubnice | I-4 | Nož s 3 zuba |
| G-3 | Gornje kućište ASSY | I-5 | Vanjska prirubnica |
| G-4 | Podloška | I-6 | Matica |
| G-5 | Matica | I-7 | Utor u prirubnici |
| G-6 | Opruga | J-1 | Nož za rezanje rezne žinje |
| G-7 | Rezna žinja | J-2 | Štitnik |
| G-8 | Donje kućište ASSY | K-1 | Stezna žica |
| I-1 | Vratilo motora | K-2 | Kukica |
| I-2 | Unutarnja prirubnica | | |

NAPOMENA: Da biste se zaštitili od ozljeda, morate nositi rukavice prilikom bilo kakvih rukovanja s nožem s 3 zuba.

4. Osovinu motora okrećite tako da poravnate utor na unutarnjoj prirubnici s prihvatnim otvorom u kućištu prijenosnika (sl. L).
5. Radi stabiliziranja okretanja noža u prihvatne utore utaknite isporučeni imbus ključ (sl. M).

Opis dijelova na sl. L i M pogledajte u nastavku:

| | | | |
|-----|---------------------------------------|-----|----------------|
| L-1 | Kućište prijenosnika | L-3 | Osovinu motora |
| L-2 | Poravnani otvori učvršćivanje osovine | M-1 | Stabilizator |

6. Postavite nož na osovinu motora vodeći računa da površina nož bude u ravnini s površinom izbočenja unutarnje prirubnice. Postavite vanjsku prirubnicu i maticu (sl. N). Prethodno ručno pritegnite maticu SUPROTNO OD SMJERA KRETANJA KAZALJKI NA SATU.

Opis dijelova na sl. N pogledajte u nastavku:

| | |
|-----|--------------------|
| N-1 | Matica |
| N-2 | Vanjska prirubnica |
| N-3 | Nož s 3 zuba |

7. Poduprite kućište prijenosnika na čvrstu površinu. Jednom rukom držite osovinu obrezača gmlja a drugom rukom uhvatite višenamjenski ključ za zatezanje matice, slijedeći smjer strelice na vanjskoj prirubnici (sl. O).

UPORABA ŠTITNIKA

NAPOMENA: Kada je na obrezač gmlja postavi glava s reznom žinjom, na štitnik je potrebno postaviti štitnik.

Budući da se nož za rezanje rezne žinje nalazi na štitniku učvrstite štitnik na stražnju stranu pritezanjem tri vijka pomoću imbus ključa. Nepostupanje u skladu s tim može rezultirati predugačkom reznom žinjom i preopterećenjem motora.

RAD

⚠ UPOZORENJE! Nemojte dopustiti da zbog dobrog poznavanja ovog proizvoda postanete nepažljivi. Zapamtite da je jedna sekunda nepažnje dovoljna za ozbiljnu ozljedu.

⚠ UPOZORENJE! Uvijek nosite zaštitu za oči i sluh. Nepostupanje u skladu s tim može rezultirati odbacivanjem predmeta u oči i drugim mogućim teškim ozljedama.

⚠ UPOZORENJE! Nemojte koristiti nikakve priključke ili pribor koje nije preporučio proizvođača ovog proizvoda. Uporaba priključaka ili pribora koji nije preporučeni može dovesti do ozbiljnih tjelesnih ozljeda.

PRIMJENE

Ovaj proizvod možete koristiti za svrhe navedene u nastavku:

- **Metalni nož s 3 zuba:** Rezanje trave, korova, divljeg raslinja i šikare, razjedinjavanje mladog raslinja uz maksimalni osnovni promjer od 2 cm.
- **S glavom za šišanje:** Šišanje trave i korova ograda, živica i terasa.

NAPOMENA: alat se smije koristiti samo za prethodno opisanu namjenu. Svaka druga uporaba smatra se nepropisnom uporabom.

SPAJANJE/ODSPAJANJE BATERIJE

U potpunosti napunite prije prve uporabe.

Spajanje

Poravnajte zupce baterije s utorima za postavljanje i pritiščite bateriju sve dok ne čujete "klik" (sl. P).

Odspajanje

Pritisnite gumb za odspajanje baterije i izvucite bateriju kako je prikazano na slici (sl. Q).

Opis dijelova na sl. P pogledajte u nastavku:

| | |
|-----|----------------------|
| P-1 | Utor za postavljanje |
| P-2 | Zubac |

POSTAVLJANJE DVOSTRUKE TRAKE ZA RAME NA STROJ

Stavite dvostruku traku za rame na svoje tijelo i umečite dva dijela trake jedan u drugi sve dok ne čujete klik (sl. R-1). Poravnajte jastučić za kuk u otvor cijevi kopče za fiksiranje na osovini i lagano pritisnite osovinu (sl. R-2, R-3 i R-4).

Držite šišač objema rukama na desnoj strani tijela (sl. S). Glava šišača treba biti paralelna s tlom na odgovarajućoj reznoj udaljenosti, bez da se rukovatelj treba saginjati.

Otpuštanje obrezaivača grmlja može se postići na dva načina; Otpustite kopču trake (sl. T) ili pritisnite kukicu trake i odvojite je od pričvršne cijevi fiksirane na osovini (sl. R-2).

⚠ UPOZORENJE! U slučaju opasnosti, odmah je skinite s ramena, bez obzira na način na koji je traka učvršćena. Način brzog otpuštanja je otpuštanje kopče za remen (sl. T) i skidanje objema rukama s ramena.

⚠ UPOZORENJE! Ne biste trebali istodobno koristiti jednostruku i dvostruku traku za rame.

POKRETANJE/ZAUSTAVLJANJE OBREZIVAČA GRMLJA

Pokretanje

Pritisnite polugu za blokiranje i držite je u tom položaju. Za pokretanje pritisnite aktivator (sl. U).

Različiti pritisak na aktivator rezultira varijabilnom brzinom rotacije rezne žinje. Ako je potrebno, namjestite gumb za blokiranje brzine kako biste ograničili maksimalnu brzinu.

NAPOMENA: Gumb za blokiranje brzine također se može namjestiti tako da ograničava kretanje aktivatora.

Zaustavljanje

Otpustite aktivator.

NAPOMENA: Motor radi samo kada su poluga za blokiranje i aktivator pritisnuti.

⚠ UPOZORENJE! Za vrijeme prekida rada i nakon završetka rada uvijek izvadite bateriju iz šišača.

UPORABA STROJA

⚠ UPOZORENJE! Obucite se propisno kako biste smanjili rizik od ozljeda tijekom rukovanja obrezevičerm grmlja. Ne nosite široku odjeću ili nakit. Nosite zaštitu za oči i uši/sluh. Nosite čvrste duge hlače, čizme i rukavice za teške uvjete rada. Nemojte nositi kratke hlače ili sandale ili biti bos.

Prije rada, pogledajte oko sebe kako biste se uvjerali da na radnom području nema drugih osoba, životinja ili bilo kakvih labavih predmeta. Pobrinite se da oni budu udaljeni najmanje 15 m. Potom provjerite zaštitu očiju, odgovarajuću odjeću i uravnoteženost podloge.

Prije svake uporabe provjerite oštećene/istrošene dijelove. Provjerite glavu za udaranje, niž s 3 zuba, štitičnik i sklop drški te zamijenite dijelove koji su napukli, deformirani, svinuti ili oštećeni na bilo koji način. Nož za rezanje rezne niti na rubu štitičnika s vremenom može utupjeti. Preporučujemo povremeno oštrenje noža turpijom ili zamjenu noža novom.

Obrezaivač grmlja trave s reznom žinjom očistite nakon svake uporabe

UPORABA GLAVE ZA ŠIŠANJE

Podešavanje duljine rezne žinje

Glava šišača trave rukovatelju omogućuje otpuštanje više rezne niti bez zaustavljanja motora. Ako se rezna žinja stanji ili istroši, laganim doticanjem glave šišača trave o tlo tijekom rukovanja šišačem moguće je otpustiti više žinje (sl. V).

NAPOMENA: Otpuštanje žinje teže je kako se rezna žinja skraćuje.

⚠ UPOZORENJE! Ne uklanjajte sklop rezne oštrice niti ili ne obavljajte preinake na njemu. Prekomjerna duljina niti prouzročit će pregrijavanje motora što može rezultirati teškim tjelesnim ozljedama.

ZAMJENA REZNE NITI

NAPOMENA: uvijek koristite preporučenu najlonsku reznu žinju promjera ne većeg od 2,4 mm. Uporaba rezne žinje drukčije od navedene može prouzročiti pregrijavanje ili oštećenje obrezaivača grmlja.

⚠ UPOZORENJE! Nikada ne koristite metalom ojačane niti, žicu ili užu i sl. jer mogu se odlomiti i postati opasni projektili.

1. Uklonite komplet baterija.
2. Ako je potrebno, uklonite preostalu reznu nit.
3. Ako je potrebno, okrenite držač špule u smjeru označenom strelicom, kako biste crticu "LOAD" na držaču špule poravnali s okicama na kućištu špule (sl. W-1).
4. Odrežite 5 m rezne žinje i umetnite žinju u otvor za postavljanje unutar okice (sl. W-2). Provucite reznu žinju i povlačite je s druge strane sve dok rezna žinja ne bude iste duljine s obje strane (W-3) špule.
5. Pritisnite dok držač kalema okrećete u smjeru strelice kako biste reznu nit namotali na kalem tako da sa svake strane ostane oko 14 cm rezne niti (sl. W-4).
6. Gumite držač kalema prema dolje pritom povlačeći reznu nit kako biste je ručno pomakli prema naprijed i provjerili ispravnu montažu glave šišača trave.

Ako se rezna žinja otkine od izlaza niti ili ako se rezna žinja ne otpusti lupkanjem glave šišača trave, slijedite korake u nastavku:

1. Uklonite komplet baterija.
2. Pritisnite i otpustite jezičce na držaču špule i uklonite držač špule povlačeći ga ravno van (sl. H-1 i H-2).
3. S držača kalema uklonite reznu nit.
4. Jednom rukom držite kućište kalema, drugom rukom uzмите držač kalema i uravnajte jezičce na držaču kalema s provrtima u kućištu kalema (sl. X-1); dlanom pritisnite držač kalema i okrećite ga ulijevo i udesno dok jezičci ne ulegnu u kućište kalema (sl. X-2).
5. Ponovno umetanje rezne žinje.

UPORABA METALNOG NOŽA S 3 ZUBA

⚠ UPOZORENJE! Za rezanje divljeg grmlja i šikare spustite rotirajući nož s 3 zuba prema dolje na grmlje kako biste dobili učinak usitnjavanja. Obrezaivač grmlja koristite kao kosu (zamahujte njime udesno i ulijevo) na razini tla. Rezni priključak ne koristite na visini iznad struka.

⚠ UPOZORENJE! Što je rezni priključak više iznad tla, veća je opasnost od ozljeda uslijed otpadaka od rezanja koji se odbacuju sa strane.

⚠ UPOZORENJE! Ako režete mlado raslinje ili drugi drveni materijal promjera do 2 cm, koristite lijevu stranu noža kako biste izbjegli povratni udar. Ne pokušavajte rezati drveni materijal većeg promjera jer nož može zapeti ili obrezaivač grmlja uz trzaje povući prema naprijed. Time se može prouzročiti oštećenje noža ili čistača šikare ili gubitak kontrole nad obrezaivačem grmlja uz tjelesne ozljede.

⚠ UPOZORENJE! Nepravilna uporaba noža obrezaivača grmlja može prouzročiti njegovo pucanje, odlamanje ili rasprsnuće. Odbačeni dijelovi mogu teško ozlijediti rukovatelja ili promatrača. Radi smanjenja opasnosti od ozljeda važno je poduzeti sljedeće mjere opreza:

- Izbjegavajte doticati čvrste ili krute predmete poput kamenja, stijena ili metalnih dijelova.
- Nikada ne režite drvo ili grmove osnovnog promjera većeg od 2 cm.
- Pregledajte nož u redovitim kratkim intervalima na postojanje znakova oštećenja. Nemojte nastaviti raditi s oštećenom oštricom.
- Redovito oštrite nož (ako je primjetno tup) i prema potrebi ga uravnoležite (postupak prepustite kvalificiranom servisnom tehničaru).

POVRATNI UDAR NOŽA

Budite posebno oprezni kada na ovom stroju koristite nož. Povratni udar je reakcija koja se može pojaviti kada rotirajuća oštrica udari o nešto što ne može rezati. Ovaj kontakt može prouzročiti kratko zaustavljanje noža, a zatim iznenađan "povratni udar" alata od predmeta o koji je udario. Ova reakcija može biti dovoljno silovita da rukovatelj izgubi kontrolu nad alatom. Povratni udar noža može se dogoditi bez upozorenja ako nož zapne, ako se blokira ili se zaglavi. To će se prije dogoditi u područjima gdje je teško vidjeti materijal koji se reže. Radi jednostavnog i sigurnog rezanja, korovu koji je potrebno rezati pridite čistačem šikare zdesna nalijevo. U slučaju udara o neočekivani predmet ili drveni materijal, ova metoda može minimizirati učinak povratnog udara.

ODRŽAVANJE

⚠ UPOZORENJE! Prije pregleda, čišćenja ili servisiranja uređaja, zaustavite motor, pričekaite da se svi pokretni dijelovi zaustave i izvadite bateriju. Nepoštivanje ovih uputa može rezultirati ozbiljnim tjelesnim ozljedama ili oštećenjem imovine.

⚠ UPOZORENJE! Pri servisiranju koristite samo identične zamjenske dijelove. Korištenje drugih dijelova može izazvati opasnost ili prouzročiti oštećenje proizvoda. Radi osiguranja sigurnosti i pouzdanosti sve popravke treba obavljati kvalificirani servisni tehničar.

OPĆE ODRŽAVANJE

Pri čišćenju plastičnih dijelova izbjegavajte koristiti otapala. Većina plastika podložne su oštećenju od različitih vrsta komercijalnih otapala i mogu se oštetiti u slučaju njihovog korištenja. Za uklanjanje nečistoće, prašine, ulja, masti i sl. koristite čiste krpe.

ČIŠĆENJE STROJA

- Nakon svake uporabe s nožem s 3 zuba/glavom za šišanje mekanom četkom uklonite naslage i ostatke tla ili trave.

NAPOMENA: Kada rezni nož postane tup, postupak oštrenja prepustite kvalificiranom servisnom tehničaru ili prema potrebi zamijenite rezni nož novim.

- Nakon svake uporabe obrezača grmlja uređaj za rezanje očistite vlažnom krpom s blagim deterdžentom.
- Za čišćenje plastičnog kućišta ili rukohvata ne koristite jake deterdžente jer mogu ih oštetiti neka aromatična ulja, kao što su borovo i limunovo ulje i otapala kao što je kerolin. Vlaga može izazvati opasnost od strujnog udara. Vlažna mjesta obrišite mekanom suhom krpom.
- Za čišćenje ventilacijskih otvora na stražnjem kućištu koristite malu četku ili mali usisavač.

POHRANA STROJA

- Izvadite komplet baterija iz alata.
- Za temeljito čišćenje alata nosite čvrste rukavice.
- Radi sigurne pohrane, na nož s 3 zuba postavite ovojnicu noža (sl. Y).
- Jedinicu skladištite na suhom, dobro prozračenom mjestu koje je moguće zaključati ili koje je na visini izvan dohvata djece. Stroj nemojte pohranjivati na gnojivima, benzinu ili drugim kemikalijama ili u njihovoj blizini.

Zaštita okoliša



Električnu opremu, punjač baterije i baterije/punjive baterije ne odlažite u otpad iz kućanstva!

Prema Europskoj Direktivi 2012/19/EU o električnoj i elektroničkoj opremi koja više nije iskoristiva i prema Europskoj Direktivi 2006/66/EZ neispravne ili iskorištene kompletne baterija/baterije potrebno je sakupljati zasebno.

Ako se električni uređaji odlažu na odlagališta otpada ili deponije, opasne tvari mogu iscurjeti u podzemne vode i dospjeti u lanac ishrane, oštećujući tako vaše zdravlje i blagostanje.

EZ IZJAVA O SUKLADNOSTI



Mi, tvrtka EGO EUROPE GMBH.

Wahlwiesenstrasse 1, D-71711 Steinheim an der Murr
Deutschland

Izjavljujemo da je proizvod **BEŽIČNI OBREZIVAČ GRMLJA SA STRAŽNJIM MOTOROM BC3800E, SKLOPOM DRŠKI I BATERIJOM OD 56 VOLTI** u skladu je s bitnim zdravstvenim i sigurnosnim zahtjevima sljedećih smjernica:

2006/42/EZ, 2014/30/EZ, 2011/65/EZ, 2000/14/EZ.

Standardi i tehničke specifikacije:

EN ISO 11806-1, EN 60745-1, EN 55014-1, EN 55014-2, IEC 62321.

| | Glava šišača | Metalni nož s 3 zuba |
|---|--------------|----------------------|
| Izmjerena razina zvučne snage: | 94,80 dB(A) | 94,04 dB(A) |
| Razina zvučnog tlaka kod uha rukovatelja: | 96 dB(A) | 96 dB(A) |

Postupak procjene sukladnosti Priloga VI u skladu je s Direktivom 2000/14/EZ.

Prijavljeno tijelo: DEKRA Certification B.V. Meander 1051 / P.O. box 5185 6525 MJ ARNHEM / 6802 ED ARNHEM, Nizozemska

Broj prijavljenog tijela: 0344

Peter Melrose
Direktor tvrtke EGO
Europe GmbH

Dong Jianxun
Upravitelj kvalitete tvrtke
Chervon

* (Ovlaštena osoba za tvrtku CHERVON i osoba odgovorna za tehničku dokumentaciju)

01/09/2017

OTKLANJANJE POGREŠKI

| PROBLEM | UZROK | RJEŠENJE |
|-----------------------|---|--|
| Ne želi se pokrenuti. | <ul style="list-style-type: none"> ■ Komplet baterija nije spojen na obrezivač gmlja. ■ Nema električnog kontakta između obrezivača gmlja i kompleta baterija. ■ Komplet baterija je ispražnjen. ■ Ručica za deblokadu i okidač ne pritišću se istodobno. | <ul style="list-style-type: none"> ■ Pričvrstite komplet baterija na pogonsku jedinicu. ■ Uklonite bateriju, provjerite kontakte i ponovo stavite komplet baterija na mjesto. ■ Napunite komplet baterija s punjačima proizvođača EGO koji su navedeni u ovom priručniku. ■ Pritisnite ručicu za deblokadu i držite je pritisnutom, a zatim pritisnite okidač kako biste uključili obrezivač gmlja. |
| Prestaje s radom. | <ul style="list-style-type: none"> ■ Motor je preopterećen. ■ Koristi se debela rezna žinja. ■ Komplet baterija je prevruć. ■ Komplet baterija odspojen je od alata. ■ Komplet baterija je ispražnjen. | <ul style="list-style-type: none"> ■ Motor će se povratiti po uklanjanju opterećenja. Za kontinuirani rad smanjite opterećenje na pogonsku jedinicu. ■ Koristite preporučenu najlonsku žinju promjera ne većeg od 2,4mm. ■ Pričekajte da se komplet baterija ohladi na temperaturu ispod 67 °C. ■ Ponovno stavite komplet baterija. ■ Napunite komplet baterija s punjačima proizvođača EGO koji su navedeni u ovom priručniku. |

| PROBLEM | UZROK | RJEŠENJE |
|---|--|---|
| Obrezač grmlja ne izvlači žinju (samo kada je postavljena glava sa žinjom). | <ul style="list-style-type: none"> ■ Vratilo motora ili glavu šišača trave blokira trava. ■ Na kalemu nema dovoljno rezne niti. ■ Glava šišača trave je zaprljana. ■ Žinja se zapetljala na špuli. ■ Rezna nit je prekratka | <ul style="list-style-type: none"> ■ Zaustavite obrezač grmlja, izvadite bateriju i očistite travu s osovine motora i glave obrezača grmlja ■ Izvadite bateriju i zamijenite reznu nit; slijedite upute u poglavlju "ZAMJENA REZNE NITI" u ovom priručniku. ■ Izvadite bateriju i očistite šišač, držač šišača i kućište špule. ■ Izvadite bateriju, uklonite reznu žinju s držača špule i ponovno je namotajte; slijedite upute u poglavlju "ZAMJENA REZNE ŽINJE" u ovom priručniku. ■ Uklonite bateriju i ručno povucite rezne žinje dok izmjenično pritišćete i otpuštate glavu šišača trave. |

JAMSTVO

JAMSTVENA POLITIKA PROIZVOĐAČA EGO

Za cjelokupne uvjete jamstvene politike proizvođača EGO posjetite internetsku stranicu egopowerplus.com.



